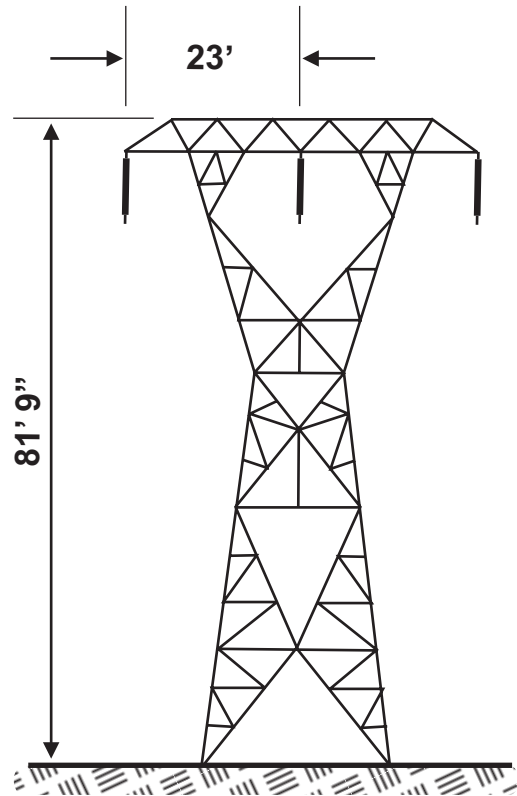
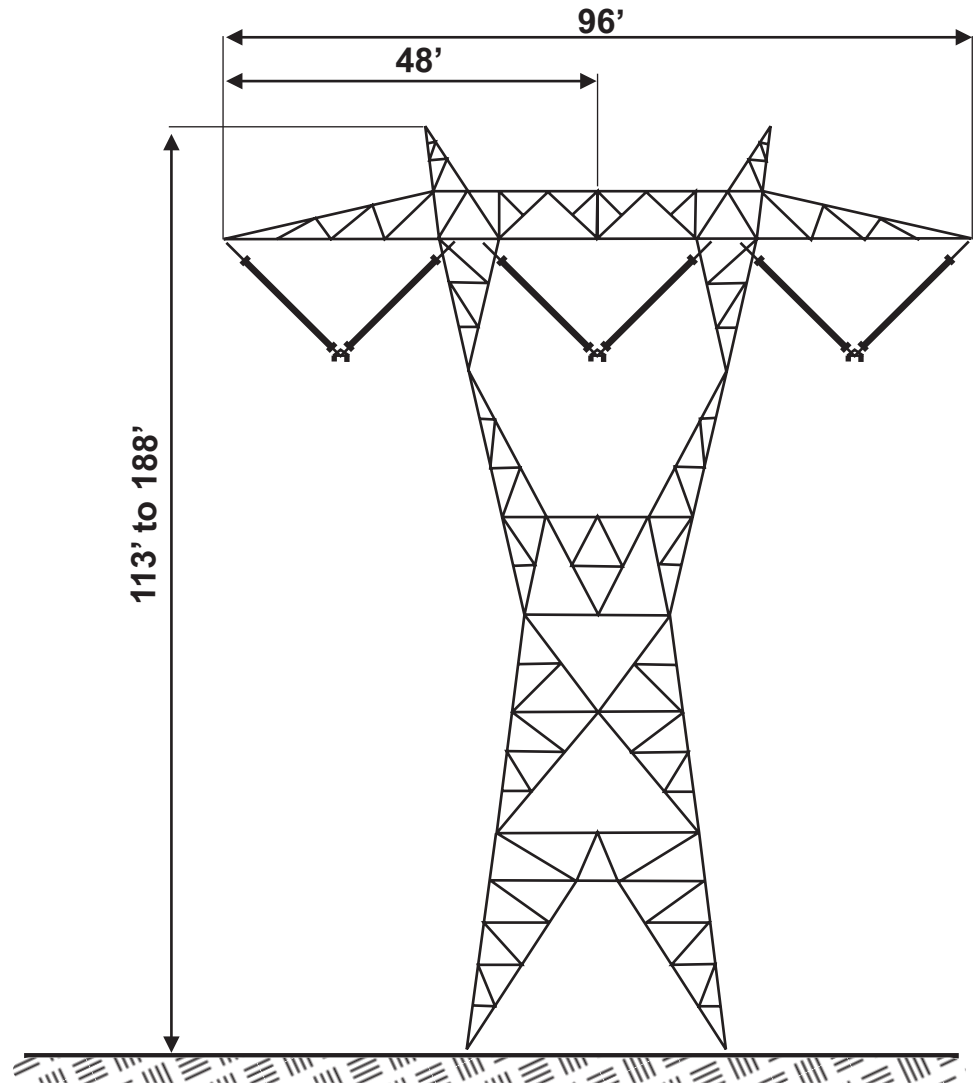


Antelope Transmission Project, Segments 2 & 3
B. DESCRIPTION OF PROPOSED PROJECT



220-kV Single-circuit LST
(Mile S3-0.0 to Mile S3-9.6,
Mile S2-21.0 to Mile S2-21.6)



500-kV Single-circuit LST
(Mile S3-9.6 to Mile S3-16.3, Mile S3-22.1 to Mile S3-23.2,
Mile S3-33.4 to Mile S3-35.2, Mile S2-0.2 to Mile S2-21.0)



Source: SCE, 2005.

Figure B.2-2
Examples of Lattice Steel Towers