

**BEFORE THE PUBLIC UTILITIES COMMISSION OF THE
STATE OF CALIFORNIA**

In the Matter of the Application of SOUTHERN)	
CALIFORNIA EDISON COMPANY (U 338-E))	A.13-08-023
for a Certificate of Public Convenience and)	
Necessity for the Coolwater-Lugo Transmission)	(Filed August 28, 2013)
Project)	

**AMENDED APPLICATION OF SOUTHERN CALIFORNIA EDISON COMPANY
(U 338-E) FOR A CERTIFICATE OF PUBLIC CONVENIENCE AND NECESSITY TO
CONSTRUCT THE COOLWATER-LUGO TRANSMISSION PROJECT**

THE AMENDED EXECUTIVE SUMMARY, CHAPTER 1 PURPOSE AND NEED, AND
CHAPTER 3 PROJECT DESCRIPTION ARE SEPARATELY FILED AS AN ARCHIVAL DVD

APPENDIX L CONFIDENTIAL DVD FILED SEPARATELY AS AN ARCHIVAL DVD

PUBLIC VERSION

BETH GAYLORD
TAMMY JONES
ANGELA WHATLEY

Attorneys for
SOUTHERN CALIFORNIA EDISON COMPANY

2244 Walnut Grove Avenue
Post Office Box 800
Rosemead, California 91770
Telephone: (626) 302-6634
Facsimile: (626) 302-1926
Email: tammy.jones@sce.com

April 25, 2014

**AMENDED APPLICATION OF SOUTHERN CALIFORNIA EDISON COMPANY (U 338-E)
FOR A CERTIFICATE OF PUBLIC CONVENIENCE AND NECESSITY TO CONSTRUCT
THE COOLWATER-LUGO TRANSMISSION PROJECT**

TABLE OF CONTENTS

<u>Section</u>	<u>Title</u>	<u>Page</u>
I.	INTRODUCTION	1
II.	PROJECT SCOPE AND EXPLANATION OF MINIMUM, INITIAL AND FULL BUILDOUT AND SCOPE OF SCE’S CPCN APPLICATION	2
III.	RESPONSES TO INFORMATION REQUESTS IN RULING	8
IV.	ELIGIBILITY FOR 399.2.5 RECOVERY.....	25
V.	PROJECT COST INFORMATION	25
VI.	PUBLIC UTILITIES CODE § 1005 AND ADJUSTMENT OF THE MAXIMUM REASONABLE AND PRUDENT COST ESTIMATE	31
VII.	PROCEEDING CATEGORY, NEED FOR HEARINGS, AND SCHEDULE	31
VIII.	DEPOSIT FOR COSTS	32
IX.	LOCATION OF ITEMS REQUIRED BY PUBLIC UTILITIES CODE SECTION 1003, COMMISSION’S RULES, AND GENERAL ORDER 131-D.....	33
X.	CONCLUSION.....	35

APPENDICES

- A. PROJECT PLAN
- B. FIELD MANAGEMENT PLAN
- C. NOTICE OF APPLICATION- AMENDED
- D. ARTICLES OF INCORPORATION
- E. FINANCIAL STATEMENT-AMENDED
- F. COMPETING ENTITIES
- G. ANNUAL REVENUE REQUIREMENT
- H. ESTIMATED PROJECT COSTS -AMENDED
- I. PROJECT MAP
- J. AMENDED PEA EXECUTIVE SUMMARY AND CHAPTER 1 PURPOSE AND NEED
- K. TABLES AND FIGURES REFERENCED IN AMENDED APPLICATION
- L. TABLE OF CONTENTS FOR DVD AND PUBLIC VERSION DVD
- M. JOINT STATEMENT OF PURPOSE AND NEED

**BEFORE THE PUBLIC UTILITIES COMMISSION OF THE
STATE OF CALIFORNIA**

In the Matter of the Application of SOUTHERN)	
CALIFORNIA EDISON COMPANY (U 338-E))	A.13-08-023
for a Certificate of Public Convenience and)	
Necessity for the Coolwater-Lugo Transmission)	(Filed August 28, 2013)
Project)	

**AMENDED APPLICATION OF SOUTHERN CALIFORNIA EDISON COMPANY
(U 338-E) FOR A CERTIFICATE OF PUBLIC CONVENIENCE AND NECESSITY TO
CONSTRUCT THE COOLWATER-LUGO TRANSMISSION PROJECT**

**I.
INTRODUCTION**

On August 28, 2013, Southern California Edison Company (SCE) filed Application 13-08-023 (Application) for a Certificate of Public Convenience and Necessity (CPCN) for the Coolwater-Lugo Transmission Project (Coolwater-Lugo). SCE also concurrently filed its Proponent’s Environmental Assessment (PEA) for Coolwater-Lugo with the Application.

On December 17, 2013, a Prehearing Conference (PHC) was held for Coolwater-Lugo and several clarifying issues regarding the Application were explored. On March 14, 2014, the Commission issued a Joint Assigned Commissioner and Administrative Law Judge’s Ruling Requiring Amended Application, Resolving Outstanding Protest Requests and Motions to Strike (Ruling).

Per the Ruling, SCE is required to amend its Application and PEA with additional information requested in the Ruling. (Ruling at 3-7) This Amended Application includes the following:

- Responses to questions 1-9 presented in the Ruling, which include several documents, such as:

- Amended PEA Chapters:
 - Executive Summary and Chapter 1 Purpose and Need¹
 - Chapter 3 Project Description²
- Amended Appendix H Estimated Project Costs;
- Requested reports and studies;
- Amended proceeding schedule;
- Amended Appendix C Notice of Application, ³ which includes an amended 300-foot list, and agency and interested party lists; and
- Amended Appendix E Financial Statement.

Sections of the August 28, 2013 Application that remain unchanged by this Amended Application are noted as remaining unchanged. Modifications to Application sections are noted with underlined text for additions and with strikethrough for text that is deleted. Sections II and III provide new information, pursuant to the ACR.

II.

PROJECT SCOPE AND EXPLANATION OF MINIMUM, INITIAL AND FULL BUILDOUT AND SCOPE OF SCE’S CPCN APPLICATION

In its Application, SCE included the following list of major components of Coolwater-Lugo. The complete descriptions are provided in Chapter 3 of the Amended PEA:

Substations

- Reconfigure Coolwater 220 kV Switchyard
- Terminate new Coolwater-Desert View 220 kV Transmission Line at the Coolwater and Desert View 220 kV buses

¹ Provided as Appendix J to the Amended Application and filed separately as an archival DVD.

² Provided in Appendix L to the Amended Application and filed separately as an archival DVD.

³ CPUC Rule 2.6 states “unless otherwise provided by rule, decision, or General Order, a protest or response must be filed within 30 days of the date the notice of the filing of the application first appears in the Daily Calendar.” GO 131D provides under section XII that protests are due 30 days after the notice was mailed or published. Since SCE will mail the notices on April 25, 2014, SCE calculates that protests will be due May 27, 2014.

- Install new relay buildings and necessary equipment to support the SPS at Coolwater 220 kV Switchyard
- ~~Expand the Lugo 500 kV Switchrack to the south five positions~~
- ~~Relocate two existing 500 kV transmission line terminations at Lugo Substation~~
- Terminate new Desert View-Lugo 500 kV construction, initially energized at 220kV, Transmission Line at the Desert View and Lugo 220 kV buses
- ~~Install one additional 500/220 kV transformer bank at Lugo Substation~~
- ~~Construct new relay building and install bank protection relays at Lugo Substation~~
- Install new protection, control, and SPS at Lugo Substation
- License proposed Desert View 500/220/115/12 kV Substation and initially construct the facilities necessary to loop the Coolwater-Lugo 220 kV Transmission Line and consolidate the Lugo-Pisgah No.1 & No.2 220 kV Transmission Lines into Desert View Substation as needed including new protection, control, and SPS at Desert View Substation.

Transmission and Telecommunication

- Remove approximately 29.1 miles of the existing Lugo-Pisgah No.1 220 kV Transmission Line from Lugo Substation northeast to approximately the intersection of Haynes Road and State Route 247 (“SR-247”)
- Remove approximately 16.0 miles of the existing Lugo-Pisgah No.2 220 kV Transmission Line from Lugo Substation northeast to proposed Desert View Substation and terminate the remaining portion of this line into the proposed Desert View Substation
- Construct 16.6 miles of 500 kV single-circuit transmission line (2B-2156 ACSR conductor, replacing the two existing Lugo-Pisgah No. 1 and No.2 220 kV Transmission Lines, initially energized at 220 kV) from Lugo Substation to the proposed Desert View Substation and 13.6 miles of 220 kV double-circuit transmission line in existing ROW from proposed Desert View Substation to approximately the intersection of Haynes Road and SR-247
- Construct approximately 34.0 miles of 220 kV double-circuit transmission line from Coolwater 220 kV Switchyard south to the existing Lugo-Pisgah transmission corridor, located approximately near the intersection of Haynes Road and SR-247
- Install a new 150-foot tall microwave tower and foundation at the existing Coolwater 220 kV Switchyard
- Install lightwave transponder equipment or optical amplifier and channel bank equipment at Coolwater Switchyard, Lugo Substation, and the proposed Desert View Substation
- Install approximately 11.0 miles of Fiber-Optic Cable from existing Apple Valley Substation to the proposed Desert View Substation. Install approximately 29.0 miles of Fiber-Optic Cable from existing Pisgah Substation near Newberry Springs to the existing Gale Substation near Daggett.

In Appendix H, Estimated Project Costs, provided in support of its Application, SCE included three buildout options for the Coolwater-Lugo Project: the Minimum, Initial, and Full Buildout (Buildout Options). The PEA, however, described only the Initial and Full Buildouts. The Proposed Project description in the Application and PEA correlates to the Initial Buildout. To address the confusion this may have caused, SCE offers the following explanation of the Buildout Options and clarifies the scope of SCE's CPCN Application with this Amended Application and Amended PEA, which includes the following amended Chapters: Executive Summary, Chapter 1 Purpose and Need, and Chapter 3 Project Description.

All three Buildout Options are comprised of the same basic components. Each has the same line route, each segment of the project utilizes the same types of structures, and each has Desert View Substation as a component. The primary differences between the Buildout Options are the level of stringing on the structures, the level of buildout of the Desert View Substation, and the associated costs. All Buildout Options assume that SCE's proposed route, rather than an alternative, is selected.

Minimum Buildout

The Minimum Buildout Option is comprised of double circuit 220 kV structures along Segments 1, 2, 3, and 12 of the Project, basically, from Coolwater Switchyard to the existing Lugo-Pisgah No.1 220 kV transmission corridor where Segment 3 meets Segment 5. (Appendix I.) For the Minimum Buildout, only one side of the double circuit 220 kV structures would be strung to support an initial single circuit. Stringing the second side of the double-circuit 220 kV structures would occur in the future when the need for a second circuit arises. The Minimum Buildout also includes siting the Desert View Substation. This would include acquiring the approximate 160 acre parcel but only grading 13.5 acres to support an initial 220 kV switchrack, building the initial four position switchrack, a Mechanical Electrical Equipment Room (MEER), and station light and power. The Minimum Buildout also includes Segments 5 and 7. Segment 5 is comprised of 220 kV double circuit structures, with both sides strung. Segment 7 is comprised of 500 kV structures with 2B-2156 ACSR conductor, initially energized to 220 kV, replacing the

two existing Lugo-Pisgah No. 1 and No. 2 220 kV Transmission Lines. Segments 5 and 7 are the same for all Buildout Options.

In its Application, SCE also originally included a third AA bank and associated upgrades at Lugo Substation in this configuration. SCE has removed the AA bank from the Minimum Buildout and its associated costs of \$81 million. As such, the costs of the Minimum Buildout reflect reductions from stringing only one side of the double circuit 220 kV structures and removing the AA bank. The cost of the Minimum Buildout in Appendix H of the Application was \$559 million in Direct Expenditures in 2013 constant dollars. With the cost reductions described above, the amended cost estimate for the Minimum Buildout is \$460 million in Direct Expenditures in 2013 constant dollars. (Amended Appendix H.)

It is SCE's position that the Minimum Buildout Option assuming SCE's proposed route meets the minimum requirements of the Mojave Solar Large Generation Interconnection Agreement (LGIA).

Initial Buildout (Proposed Project)

The Initial Buildout Option is SCE's Proposed Project to construct and should serve as the basis for cost considerations for a determination under Public Utilities Code Section 1005.5 of the "maximum cost determined to be reasonable and prudent for the facility."

In comparison to the Minimum Buildout Option, the Initial Buildout also includes double circuit 220kV structures from Coolwater Substation to the existing Lugo-Pisgah No.1 220 kV transmission corridor where Segment 3 meets Segment 5, but under this configuration, both sides of the double circuit structures would be strung instead of just one. The line would initially be configured in a box-loop split-phase configuration thus energized as a single circuit, resulting in an EMF reduction. In the future, when the need arises, the box-loop configuration could be removed to allow operation of the line as two circuits without the need to return to the field to string the second side. The Initial Buildout also includes acquiring the 160-acre parcel for Desert View Substation, but rather than grading and fencing just the 13.5 acres, this option includes grading and installing a wall around approximately 86 acres, but still only includes an initial four

position switchrack, station light and power, and the MEER. Grading the 86 acres, which would be the estimated needed acreage for a future, Full Buildout, would allow SCE to minimize environmental impacts in the future and ensure contiguous grading for the entire substation site needed at Full Buildout. It is SCE's position that the Initial Buildout, by stringing both circuits of the double circuit 220 kV structures and by grading in preparation for the Full Buildout of Desert View Substation, is a prudent planning approach as it would minimize overall environmental impact, maximize the use of ROW consistent with the Garamendi Principles, and minimize overall cost that would otherwise be greater with piece-meal construction.

In the Application, the Initial Buildout Option included the AA bank at the Lugo Substation. SCE has removed that item from the scope of this Option. The Cost of the Initial Buildout in the Application was \$591 million in direct expenditures in 2013 constant dollars. The amended cost for the Initial Buildout is \$509 million in direct expenditures in 2013 constant dollars, reflecting the cost reduction from omitting the AA bank and associated upgrades.

Full Buildout

The Full Buildout includes the components of the Initial Buildout as well as all components of the 500/220/115/12 kV Desert View Substation, which would be necessary at Full Buildout. In the original Application, the Full Buildout Option included the AA bank at the Lugo Substation. SCE has removed that item from the scope of this Option. In the Application, the cost of the Full Buildout was \$776 million in direct expenditures in 2013 constant dollars. The amended cost of the Full Buildout is \$694 million in direct expenditures in 2013 constant dollars. SCE provided the costs of the Full Buildout for informational purposes only and reflects a cost reduction resulting from the removal of the AA bank.

As stated above, the Initial Buildout is SCE Proposed Project for purposes of cost and construction. However, SCE also requests that the Full Buildout Option be included in the CPCN authorization, so that in the event the need for the Full Buildout Option materializes in the future, SCE can construct that option without delay associated with further licensing. This is consistent with the approach the Commission used in permitting Windhub Substation (also known as Substation One) under the Antelope Transmission Project Segments 2 and 3 (ATP 2-3) CPCN. (D.07-03-045.) In that proceeding, SCE asked for authority to construct portions of the Windhub Substation at a future time under the CPCN Application, without including the costs of Windhub in the costs of ATP 2-3. SCE recognized at the time of filing that although there was not a current defined need for Windhub at full buildout, the need would likely arise in the near future, and, in order to expedite construction when the need arose, SCE included the request for authorization to construct Windhub in its CPCN Application for ATP 2-3.⁴ As it happened, the need arose faster than expected, and SCE constructed Windhub almost simultaneously with ATP 2-3.

⁴ See, SCE's PEA for ATP 2-3 http://www.cpuc.ca.gov/Environment/info/aspen/atp2-3/PEA/Volume%201/03_ProjectDescription.pdf (pp.3-26 to 3-27); <http://www.cpuc.ca.gov/Environment/info/aspen/atp2-3/EIR/B-Project%20Description.pdf> (pp B-1,B-3, B-16).

In summary, SCE requests in this Application (1) the authority to construct the Initial Buildout, (2) the consideration of costs associated with the Initial Buildout to specify the “maximum cost determined to be reasonable and prudent for the facility” pursuant to PU Code Section 1005.5, and (3) the authority to construct the Full Buildout of Desert View Substation when the need arises, without further licensing.

III.

RESPONSES TO INFORMATION REQUESTS IN RULING

SCE amends A.13-08-023 with the following responses to the information requests included in the March 14, 2014 Ruling (Ruling at 3-7):

1. *A detailed narrative description of the public convenience and necessity claimed for the “Minimum,” “Initial,” and Full” categories of components (Application, Exhibit H)...*

In addition to the specific information requested in the subparts of this question, SCE also provides the following overview of the public convenience and necessity for the Minimum, Initial, and Full Buildout Options:

Minimum Buildout

Due to existing transmission capacity constraints in the Kramer-Lugo transmission corridor, additional transmission facilities are needed in order to provide the Mojave Solar Project full capacity deliverability consistent with the requirements and the April 11, 2018 operating date specified in the LGIA for the Mojave Solar Project.⁵ (Appendix L.) The minimum facilities needed to meet these LGIA requirements, the Coolwater-Lugo Minimum Buildout, include a Coolwater-Lugo 220 kV transmission line with 34.0 miles of double-circuit, single-strung structures (Segments 12, 1, 2, and 3), 13.6 miles of double-circuit double-strung structures (Segments 5 & 5A); an initial four-position Desert View 220 kV Switchrack and

⁵ Amended Mojave Solar LGIA, <http://elibrary.ferc.gov/idmws/common/opennat.asp?fileID=13376929>

Mechanical Electrical Equipment Room (MEER) installed within an 86 acre site but with initial grading of only 13.5 acres to consolidate three transmission lines in order to stay within existing ROW between Lugo and Desert View; 16.6 miles of 500 kV single-circuit structures, with 2B-2156 ACSR conductor, initially energized at 220 kV (Segment 7); and supporting telecom and substation work.

Initial Buildout (Proposed Project)

In order to minimize overall environmental impact, maximize the use of ROW consistent with the Garamendi Principles, and minimize overall cost that would otherwise be greater with piece-meal construction, SCE is proposing incremental additions to the 34.0 miles of double-circuit, single-strung structures and the 13.5 acre Desert View switchrack described in the Minimum Buildout. SCE has identified likely generation interconnections, load serving, and reliability needs in the Kramer and Lucerne Areas (future Jasper Substation area) that warrant a long term prudent planning approach and which support the Initial Buildout's incremental additions.

The Coolwater-Lugo Initial Buildout would string both sides of the 34.0 mile double circuit structures between Coolwater and the Lugo-Pisgah corridor (where Segment 3 meets Segment 5). The line would initially be configured in a box-loop split-phase configuration thus energized as a single circuit. When additional capacity is needed in the future on these line segments, the box-looped conductors could be separated at the terminating substations and operated as separate circuits to increase transmission capacity, without the need to return to the field to string the second side. Furthermore, rather than grading and fencing just the 13.5 acres for the initial four-position Desert View switchrack and installing a chain link fence, this option includes site grading and installation of a wall around approximately 86 acres, but would still only include an initial four position switchrack, station light and power, and a MEER. Grading the 86 acres now, which would be the estimated needed acreage for a future, Full Buildout, would allow SCE to minimize environmental impacts in the future, eliminate cost associated with installing and later removing temporary facilities in order to expand the switchyard (e.g.

storm water, external driveways), and ensure contiguous grading for the entire substation site needed at Full Buildout.

Full Buildout

The approximate scope and cost for the Full Buildout, provided for informational purposes, includes the components of the Initial Buildout as well as all components of the 500/220/115/12 kV Desert View Substation, which would be necessary at Full Buildout. These incremental facilities would be triggered by additional generation interconnections, load growth, and reliability needs, all of which could happen concurrently or at different times. As indicated by the RETI, DRECP, and CPUC RPS portfolios, the areas surrounding the Desert View switchrack are rich in renewable resources. Given existing interconnection limitations on the existing Cottonwood-Savage and Apple Valley-Cottonwood-Pluess-Savage 115 kV lines located near the proposed Desert View Substation, future generation interconnection requests could trigger the expansion of the planned 4-position 220 kV switchrack at the Desert View switchyard to include a 115 kV switchrack, associated 220 kV/115 kV transformers, a 12 kV switchrack, and associated 115/12 kV transformers in order to accommodate future third party generation interconnection requests.

Furthermore, as stated in section 1.1.9 in the Amended Chapter 1.0 Purpose and Need on p. 38, these 115 kV and 12 kV facilities could also be triggered by increased electrical demand in the High Desert Region, particularly the Town of Apple Valley. SCE's existing Victor Substation will reach its load serving limits thereby requiring a new major load-serving substation to help serve the High Desert Region load. In the Full Buildout, Desert View would be expanded beyond a 4-position switchrack to include a 115 kV switchrack, associated 220/115 kV transformers, and the two existing 115 kV lines near Desert View would be looped into this 115 kV switchrack in order for Desert View to offload Victor Substation and help serve the electrical demand in the High Desert Region, particularly the Town of Apple Valley. In addition, local load growth around Desert View Substation would trigger the need for a 12 kV switchrack,

associated 115/12 kV transformers, and 12 kV distribution lines in order to serve local area load around Desert View.

Finally, Desert View would also be expanded with 500 kV facilities in order to off load the 500 kV facilities at Lugo Substation. There are currently eight 500 kV transmission lines that terminate at SCE's Lugo Substation. Per the CAISO's 2010-2011 and 2011-2012 Transmission Plans,⁶ loss of the entire Lugo 500/220 kV Substation would cause the north of Lugo system to be unstable. To restore system synchronism, extensive generation tripping in the North of Lugo area and load tripping in the LA Basin would be required. Coolwater-Lugo would facilitate construction of a multipurpose 500/220/115/12 kV Desert View Substation which would allow future 500 kV transmission lines to be delooped out of Lugo Substation, thus reducing the number of 500 kV transmission lines terminating at Lugo Substation. This would allow 500 kV system connections to remain which would thereby result in improving overall system reliability by reducing the amount of generation and load that would be needed to be tripped under the loss of Lugo Substation.

a. Power flow, production cost, transmission planning, resource procurement scenarios, and interconnection studies relied upon for the determination of need, purpose and timing of each component. Indicate who or what agency performed the studies, whether they were the subject of public proceedings or final decision and if so, in what venue the studies were examined, developed and adopted as applicable. Provide a copy of each study, contract and regulatory decision relied upon or referenced for each component included in the CLTP Application.

⁶ CAISO's 2010-2011 and 2011-2012 Transmission Plans are confidential and provided pursuant to Public Utilities Code Section 583 under Appendix L. Appendix L contains a Table of Contents listing the documents provided in Appendix L on DVD. Several of the reports listed in Appendix L contain confidential information. Those confidential documents will be provided to the Commission pursuant to Public Utilities Code Section 583. A separate Motion to File Under Seal is being filed concurrently.

The following table notes the location of each requested item of information.

#	Item	Location	Description
1	Power Flow	Chapter 1.0 Purpose & Need (Appendix J)	As described in the Amended Chapter 1.0 Purpose and Need on pp. 1-1 to 1-24, in 2014 there are 1,729 MW of existing generation and 464 MW of existing load, which leads to 1,265 MW of excess generation that needs to get exported from Kramer Substation to Lugo Substation. The existing Kramer-Lugo transmission corridor has approximately a 1,340 MW capacity, so only approximately 75 MW of capacity remains. The Abengoa Mojave Solar Project, interconnecting into the Kramer system is 275 MW (250 MW-Q125 + 25 MW-Q909), so Coolwater-Lugo is needed to provide additional transmission capacity.
2	Production Cost	Amended Appendix H	The Amended Appendix H cost guide provides a dollar amount for each major Coolwater-Lugo Project component. No production costing has been performed.
3	Transmission Planning	Chapter 1.0 Purpose & Need Table 1.0-M "Studies Supporting the Need for Coolwater-Lugo"	Table 1.0-M on pp. 1-20 to 1-22 lists the Transmission Planning and Interconnection Studies that identified the original and continued need for Coolwater-Lugo and contains the date of the study, who the study was performed by, if the study was a public proceeding or Final Decision, and the study results. (Appendix K)
4	Resource Procurement Scenarios	Chapter 1.0-I CPUC RPS Portfolios for LTPP & TPP	Table 1.0-I on p. 1-14 provides RPS Portfolios for the 2014 LTPP and the 2014-15 TPP. (Appendix K)
5	Interconnection Studies	Chapter 1.0 Purpose & Need Table 1.0-M "Studies Supporting the Need for Coolwater-Lugo"	Table 1.0-M on pp. 1-20 to 1-22 lists the Transmission Planning and Interconnection Studies that identified the original and continued need for Coolwater-Lugo and contains the date of the study, who the study was performed by, if the study was a public proceeding or Final Decision, and the study results. The studies are provided in Appendix L.

b. Provide a table that shows the specific needs and purposes for each element and each category of proposed development (“Minimum,” “Initial,” and “Full”) with a column that shows the estimated date when each component is needed. Specify whether the component is needed to fulfill contractual obligations for interconnection of the Mojave Solar Project.

Table 1.0-O Purpose & Need Justification for Coolwater-Lugo Elements, located in the Amended Chapter 1 Purpose and Need on pp. 1-28 to 1-30, lists each major Project component from the Amended Appendix H Cost Table and explains its purpose and need, notes the estimated date when the component is needed, and whether it is required to fulfill the contractual obligations for interconnection of the Mojave Solar Project. Table 1.0-O is also provided in Appendix K to this Amended Application.

c. Identify any and all components included in the CLTP that require future California Independent System Operator (CAISO) study, review or approval.

Table 1.0-O Purpose & Need Justification for Coolwater-Lugo Elements, located in the Amended Chapter 1 Purpose and Need on pp. 1-28 to 1-31, provides a column that indicates if components require future CAISO study, review or approval. Table 1.0-O is also provided in Appendix K to this Amended Application.

2. Include the January 30, 2011 Large Generator Interconnection Agreement (LGIA) between SCE, the CAISO and Abengoa Solar Inc. (Abengoa) for the Mojave Solar Project.

Appendix L contains the original Abengoa Mojave Solar LGIA dated January 20, 2011, and also the amended LGIA dated October 24, 2013. The amended LGIA contains developer name changes, facility name changes, FERC Filing Abandoned Plant Approval updates, and Project Milestone updates.

3. Provide a Joint Statement of Need and Purpose by individual CLTP project component required for interconnection of the Mojave Solar Project with full deliverability by the LGIA, representing an agreement by SCE, CAISO and Abengoa confirming the representations made by SCE, the CAISO and Mojave Solar, LLC at the December 17, 2013 PHC. If the LGIA Parties cannot agree, explain SCE's position regarding what interconnection facilities are required by the LGIA, by each individual proposed CLTP project component, and an explanation of the remaining disagreements between the LGIA Parties. Include a description of the Mojave Solar Project's expected output, online

date and references to any other relevant documents, including related contracts or regulatory decisions.

The Joint Statement of SCE, CAISO, and Mojave Solar, LLC, is attached as Appendix M. The Mojave Solar Project will be capable of a maximum output of 275 MW (250 MW-Q125 + 25 MW-Q909).⁷ Due to the existing Kramer-Lugo corridor transmission capacity constraints, when the Mojave Solar Project comes on-line on July 7, 2014, its generation output will be limited by these constraints and other third party generation that will also be competing for any existing transmission capacity. Therefore, the expected output of the Mojave Solar Project will be between 0 to 275 MW based on these constraints and the simultaneous output of the other third party generators in the Kramer System. Per the amended LGIA, SCE is required to construct the necessary network upgrades to provide the Mojave Solar Project with full deliverability by April 11, 2018. The original LGIA, amended LGIA, and the FERC decisions approving these LGIAs are contained in Appendix L.

4. SCE stated that CLTP is needed “to provide additional transmission capacity to help alleviate the 220 kilovolt transmission bottleneck between the existing Kramer and Lugo Substations.” (Application at ES-2.)

a. Include a detailed powerflow explanation of the bottleneck and any other relevant studies by SCE, the CAISO or other entity upon which SCE has relied.

As described in the Amended Chapter 1.0 Purpose and Need pp. 1-1 to 1-24, in 2014 there are 1,729 MW of existing generation and 464 MW of existing load, which leads to 1,265 MW of excess generation that needs to get exported from Kramer Substation to Lugo Substation. The existing Kramer-Lugo transmission corridor has approximately 1,340 MW of capacity, so only approximately 75 MW of transmission capacity remains. The Abengoa Mojave Solar Project, interconnecting into the Kramer system is 275 MW (250 MW-Q125 + 25 MW-Q909),

⁷ Q125 is Abengoa Mojave Solar’s initial 250 MW interconnection request, and Q909 is Abengoa’s 25 MW subsequent interconnection request to increase their 250 MW to 275 MW.

so Coolwater-Lugo is needed to provide additional transmission capacity to make the Mojave Solar Project's 275 MW fully deliverable.

Figure 1.0-A on p. 1-2 of the Amended Chapter 1.0 Purpose and Need provides a block diagram illustration of the existing Kramer-Lugo and Jasper-Lugo transmission corridor constraints, identifies the existing generation in the Kramer System, the existing load in the Kramer System, and the resulting excess generation in the Kramer System that is exported from Kramer Substation to Lugo Substation. Table 1.0-A on pp. 1-3 to 1-5 depicts the existing generation in the Kramer System. Furthermore, Table 1.0-M on pp. 1-20 to 1-22 lists the Transmission Planning and Interconnection Studies that identified the original and continued need for Coolwater-Lugo and contains the date of the study, who the study was performed by, if the study was a public proceeding or Final Decision, and the study results. These figures, tables, and studies are also provided in Appendices K and L to this Amended Application.

b. Include any studies or resource scenarios that identify existing and planned generation resources included in the analysis of the bottleneck. Include for each resource: 1) nameplate capacity, 2) anticipated date of retirement and 3) fuel type.

Table 1.0-A on pp. 1-3 to 1-5 of the Amended Chapter 1.0 Purpose and Need, lists the existing generation in the Kramer System and identifies the nameplate capacity, anticipated date of retirement, and fuel type. Furthermore, Table 1.0-M on pp. 1-20 to 1-22 of the Amended Chapter 1.0 Purpose and Need lists the Transmission Planning and Interconnection Studies that identified the original and continued need for Coolwater-Lugo. These tables and studies are also provided in Appendices K and L to this Amended Application.

c. Include a year-by-year analysis going forward for the planning horizon applicable to the components designed to address the Kramer-Lugo substation bottleneck.

The capacity of Coolwater-Lugo and its continued ability to relieve transmission constraints in the Kramer-Lugo and Lugo-Pisgah Corridors will be tied to load growth, third party generation projects pursuing development in the Kramer Area and at future Jasper Substation, and the specific point of interconnections (POI) of those third party generation

projects. Because SCE has no control over the timing and location of third party generation interconnection requests, it would be impossible to perform a year-by-year analysis going forward for the planning horizon applicable to the components designed to address the Kramer-Lugo Substation bottleneck. However, the generation interconnection studies identified in Table 1.0-M on pp. 1-20 to 1-22 of the Amended Chapter 1.0 Purpose and Need have considered a wide range of load forecasts and actual queued generation scenarios and demonstrate the effectiveness of Coolwater-Lugo at relieving existing transmission constraints under those various scenarios. Table 1.0-M and associated studies are also provided in Appendices K and L to this Amended Application.

5. SCE stated that CLTP is needed “to facilitate the interconnection of renewable generation projects such as, the new planned generation resources located in the Barstow, Inyokern, Kramer Lucerne Valley/future Jasper Substation, Apple Valley, and Owens Valley areas.” (Application at ES-2.) Identify each renewable generation project to which this statement refers.

Tables 1.0-B, 1.0-C, and 1.0-D, located in the amended Chapter 1.0 Purpose and Need on pp. 1-8 to 1-11, list all the currently queued generation projects requesting interconnection in the Kramer Area and at Jasper Substation. These tables list the Renewable Energy Transmission Initiative (RETI) Competitive Renewable Energy Zones (CREZs) and the Desert Renewable Energy Conservation Plan (DRECP) development focus areas (DFAs) for each queued generation project. Furthermore, Tables 1.0-E, 1.0-F, 1.0-G, 1.0-H, 1.0-I, located in the amended Chapter 1.0 Purpose and Need on pp. 1-12 to 1-14, note anticipated renewable development in the Kramer and Lucerne Valley Areas as indicated in the RETI Phase 2B Report, the DRECP December 17, 2012 report, and the RPS Portfolios for the 2014 Long Term Procurement Portfolio and the 2014-2015 Transmission Planning Process. These documents are provided in Appendix L.

6. The PEA states that the project would serve “up to 1,000 megawatts (MW) of renewable resources located in the Kramer and Lucerne Valley areas.” (PEA at 1-5

through 1-7.) The PEA provides lists of specific projects adding up to more than 1,000 MW and some of those projects are merely in the study phase.

a. Provide an expected timeline of when each projected renewable generation project to be served by the CLTP is likely to come on-line, and how the proposed project would specifically serve it. Provide a description, with specific references, of the extent that any of these projects are included in the CPUC's Renewable Portfolio Standard portfolios and the Desert Renewable Energy Conservation Plan process.

Tables 1.0-B, 1.0-C, and 1.0-D, located on pp. 1-8 to 1-11 in the amended Chapter 1.0 Purpose and Need, list all the currently queued generation projects requesting interconnection in the Kramer Area and at the future Jasper Substation and provide the generators' requested online date. Table 1.0-N, located on pp. 1-22 to 1-23 of the Amended Chapter 1.0 Purpose and Need, explains how each project in queue is served by Coolwater-Lugo.

Furthermore, Tables 1.0-G, 1.0-H, and 1.0-I, located in the amended Chapter 1.0 Purpose and Need on pp. 1-13 to 1-14, note anticipated renewable development in the Kramer and Lucerne Valley areas, which correlates to the future Jasper Substation, as indicated in the DRECP December 17, 2012 report and the RPS Portfolios for the 2014 Long Term Procurement Portfolio and the 2014-2015 Transmission Planning Process. Per Appendix L of the DRECP December 17, 2012 report, the renewable energy estimates in Tables 1.0-G and 1.0-H are based on the Renewable Energy Calculator, cited in Appendix L of the report, which is a spreadsheet calculator for matching estimated future demand to a possible future renewable technology mix, while also meeting California's greenhouse gas emission reduction goals.⁸ (Appendix L.) Since the DRECP data is based on a calculator and not existing queued generation, Tables 1.0-G and 1.0-H indicate in which DRECP DFA the queued generation projects would be located.

⁸ http://www.drecp.org/documents/docs/alternatives_eval/Appendices/Appendix_L_Estimating_Future_Generation_Capacity.pdf (p. L-1)

Moreover, the RPS Portfolios for the 2014 Long Term Procurement Portfolio and the 2014-2015 Transmission Planning Process are created by the CPUC and California Energy Commission (CEC) using the RPS Calculator and vetted via a public stake holder process.⁹ (Appendix L.) Supporting documentation for the RPS Portfolios notes queued generation projects Q125 and Q909 were included in the process.

Tables 1.0-B, 1.0-C, 1.0-D, 1.0-G, 1.0-H, and 1.0-I are also provided in Appendix K to this Amended Application.

b. For each project for which CLTP is proposed to serve, provide the status within both SCE's and the CAISO's interconnection queue as to queue priority, permitting status, electrical studies, executed LGIAs or Purchase Power Agreements (PPAs).

Tables 1.0-B, 1.0-C, and 1.0-D, located on pp. 1-8 to 1-11 in the Amended Chapter 1.0 Purpose and Need, list all the currently queued generation projects requesting interconnection in the Kramer and the Lucerne Valley Areas and provide their queue priority status, permitting status, electrical study status, and whether or not the projects have executed LGIAs or Purchase Power Agreements.

Tables 1.0-B, 1.0-C, and 1.0-D are also provided in Appendix K to this Amended Application.

c. For each project in the CAISO queue, provide the quantity and status of each project's deliverability allocation.

Tables 1.0-B, 1.0-C, and 1.0-D, located on pp. pp. 1-8 to 1-11 in the amended Chapter 1.0 Purpose and Need, list all the currently queued generation projects requesting interconnection in the Kramer and Lucerne Valley Areas and provide the quantity and status of each project's deliverability allocation.

⁹ http://www.cpuc.ca.gov/NR/rdonlyres/589B90C6-DC13-47E0-89D5-6448BAE8A725/0/AmendedAttachment022714_ACR.pdf (pp. 22-25)

Tables 1.0-B, 1.0-C, and 1.0-D are also provided in Appendix K to this Amended Application.

d. Explain whether the 1,000 MW of renewable generation cited in the Application includes or is incremental above the 250 MW Mojave Solar Project.

Per the amended Chapter 1.0 Purpose and Need, Coolwater-Lugo, without the Lugo No.3AA 500/220 kV transformer bank, Coolwater-Lugo would ensure the deliverability¹⁰ (Appendix L) of the Commercial Interest Portfolio's 750 MW of renewable generation in the Kramer zone and 106 MW in the Lucerne zone as indicated in the 2012-2013 CAISO Annual Transmission Plan. (Appendix L 2012-2013 CAISO Annual Transmission Plan at 155.) Deliverability, from the perspective of individual generator resources, ensures that, under normal transmission system conditions, if capacity resources are available and called on, their ability to provide energy to the system at peak load will not be limited by the dispatch of other capacity resources in the vicinity from a resource adequacy perspective.

From a reliability perspective, without installation of a Lugo No.3AA 500/220 kV transformer bank, the capacity of Coolwater-Lugo would be dictated by the remaining capacity of the existing Lugo No.1AA & No.2AA 500/220 kV transformer banks which have an anticipated remaining approximate capacity between 500 MW to 1,000 MW in the year 2018 under minimum to maximum load conditions. Reliability, from the perspective of individual generator resources, ensures that, under normal and abnormal transmission system conditions, if capacity resources are available and called on, they are able to provide energy to the system under minimum to maximum load conditions compliant with Reliability Standards and the Regional Business Practices developed by the CAISO, WECC, NERC, and the individual utility. The 275 MW Mojave Solar Project would be included and not incremental to these capacity estimates.

¹⁰ <http://www.caiso.com/Documents/On-PeakDeliverabilityAssessmentMethodology.pdf> (p. 1)

e. For each project included in the 1,000 MW of renewable generation cited in the Application that is an existing (not new or planned) resource, provide the nameplate capacity amount, resource/generation fuel type and expected retirement date for each resource.

Table 1.0-A, located on pp. 1-3 to 1-5 in the amended Chapter 1.0 Purpose and Need, provides the nameplate capacity amount, resource/generation fuel type and the expected retirement date for each resource.

Table 1.0-A is also provided in Appendix K to this Amended Application.

7. SCE stated that CLTP is needed “to accommodate future load serving in the Town of Apple Valley.” (Application at ES-2.) Provide detailed load forecasts that identify and quantify this future load.

a. If the load forecasts on which SCE relied was not prepared by the CEC, then 1) compare the SCE forecasts to the load forecast used by the CAISO in the last most recent CAISO Transmission Planning Process (TPP) and; 2) compare the SCE forecasts with the most recent CEC-adopted forecast and 3) compare the forecast included in the CPUC’s last, most recent Long Term Procurement Plan (LTPP) proceeding prior to filing the Application. If SCE adjusted CEC-adopted forecasts or other adopted forecasts, provide the methodology for the adjustments and the actual calculations made using those adjustments.

In Section 1.1.9 of the amended Chapter 1.0 Purpose and Need, p. 39, Figure 1.1-A depicts the Victor Substation load forecast from the 2013-2014 CAISO Transmission Plan, which is based on the CEC 1-in-10 year load forecast. By plotting the load forecast data, the equation of the curve can be calculated and used to approximate the load forecast in the future. Victor Substation’s load serving limit under a single contingency on one of its four high voltage transformers is between 979 MW to 1,042 MW. Based on this approximated future load forecast and the Victor Substation load serving limit range, a new load serving substation would be required in the High Desert Region to relieve Victor Substation between the approximate years

2025 and 2029, as depicted in Figure 1.1-B on p. 41. Since the load forecasts that SCE relied upon were prepared by the CEC, questions 7a-1 to 7a-3 are not applicable.

Figures 1.1-A and 1.1-B are also provided in Appendix K to this Amended Application.

b. Describe which CLTP components are designed to serve the Apple Valley load, in what years and any further explanation of the facilities designed and proposed to serve the Apple Valley load.

As described in Section 1.1.9 of the amended Chapter 1.0 Purpose and Need on pp. 41-42, the specific Desert View elements required to provide load serving relief to Victor Substation include the following major facilities, which would be phased in as necessary over the 2025 to 2029 time period, starting with the 220 kV and 115 kV facilities:

1. Extension of the Desert View 220 kV Switchrack beyond the initial four-position switchrack
2. Installation of at least one of the planned four 220/115 kV transformers but two would be recommended for reliability
3. A 115 kV switchrack
4. Looping of the existing Cottonwood-Savage 115 kV line¹¹ into the Desert View 115 kV Switchrack
5. Looping of the existing Apple Valley-Cottonwood-Pluess-Savage 115 kV line¹² into the Desert View 115 kV Switchrack
6. Installation of at least one of the planned four 115/12 kV transformers
7. A 12 kV switchrack
8. One or more 12 kV distribution lines from the Desert View 12 kV Switchrack into the nearby neighborhood surrounding Desert View Substation

¹¹ The Cottonwood-Savage 115 kV line is an existing line that runs east-west approximately 0.7 miles north of the proposed and alternate Desert View Substation sites.

¹² The Apple Valley-Cottonwood-Pluess-Savage 115 kV line is an existing line that runs east-west approximately 0.1 miles south of the proposed and alternate Desert View Substation sites.

Once the Desert View 115 kV Switchrack is in place, the Cottonwood-Savage and Apple Valley-Cottonwood-Pluess-Savage 115 kV lines would be looped into the 115 kV Switchrack allowing Desert View to serve the load on these lines that was previously being served from Victor Substation. In addition, the future Desert View 12 kV Switchrack and future 12 kV distribution lines out of Desert View would serve local area load of the nearby expanding community.

8. SCE stated that CLTP is needed “to facilitate additional system reliability.”

(Application at ES-2.)

a. Provide a detailed description of the system reliability benefits SCE attributed to the CLTP.

As described in Section 1.1.10 in the Amended Chapter 1.0 Purpose and Need on pp. 42 to 44, the existing Lugo-Pisgah No.1 & No.2 220 kV transmission lines currently have line protection that meets existing CAISO, NERC, and WECC reliability criteria, but which is not aligned with SCE’s current line protection standards. Since Coolwater-Lugo would tear down and rebuild approximately 29.1 miles of the Lugo-Pisgah No. 1 220 kV line and also tear down approximately 16.0 miles of the existing Lugo-Pisgah No.2 220 kV line, the line protection from Lugo to Pisgah Substations will need to be upgraded to current SCE standards, which will reduce fault clearing times and improve overall system reliability.

In addition, the Coolwater 220 kV Switchrack is currently a radial facility not under CAISO control. Construction of Coolwater-Lugo would convert the Coolwater 220 kV Switchrack from a radial facility to a network facility, which would then be under CAISO control. The Coolwater-Lugo work at the Coolwater 220 kV Switchrack would include augmenting the existing disconnect switches on switch rack positions 1, 3, and 6 with circuit breakers in order to isolate faults on those positions from affecting the rest of the switchrack. These upgrades would increase the reliability of the Coolwater 220 kV Switchrack in its new network configuration, would simplify future additions, minimize loss of station capacity during planned outages, and improve the selectivity of the system protection.

Moreover, there are currently, eight 500 kV transmission lines that terminate at SCE's existing Lugo Substation. Per the CAISO's 2010-2011 and 2011-2012 Transmission Plans (Appendix L), loss of the entire Lugo 500/220 kV Substation would cause the north of Lugo system to be unstable. To restore system synchronism, extensive generation tripping in the North of Lugo area and load tripping in the LA Basin would be required. Coolwater-Lugo would facilitate construction of a multipurpose 500/220/115/12 kV Desert View Substation which would allow future 500 kV transmission lines to be delooped out of the Lugo Substation thus reducing the number of 500 kV transmission lines terminating at Lugo Substation. This would allow 500 kV system connections to remain which would result in improving overall system reliability.

b. Provide a clear explanation of the individual components included in the CLTP that would provide those system reliability benefits identified and how each component is designed to solve the identified system reliability issues identified.

As described in Section 1.1.10 in the amended Chapter 1.0 Purpose and Need on p. 43, the line protection from Lugo to Pisgah Substations will be upgraded to current SCE standards, which will reduce fault clearing times and improve overall system reliability. Specifically, the existing directional and ground-over-current and step distance protection provided by the existing electromechanical relays on the existing Lugo-Pisgah No.1 and No.2 220 kV lines would be replaced by G.E. L90 and SEL-311L relays with new telecom circuits to provide high speed fault clearing. High speed fault clearing helps to reduce (i) damage to power system equipment, (ii) injury to SCE personnel and the public, and (iii) extended and widespread outages because the faults are detected and isolated more quickly to minimize their effect.

In addition, the Coolwater 220 kV Switchrack is currently a radial facility not under CAISO control. Construction of Coolwater-Lugo would convert the Coolwater 220 kV Switchrack from a radial facility to a network facility, which would then be under CAISO control. The Coolwater-Lugo work at the Coolwater 220 kV Switchrack would include augmenting the existing disconnect switches on switch rack positions 1, 3, and 6 with circuit

breakers in order to isolate faults on those positions from affecting the rest of the switchrack. Adding circuit breakers to these rack positions would convert them to “double bus double breaker” positions, which is SCE’s 220 kV design standard. This arrangement ensures reliability is maintained under outage conditions (forced outage or during maintenance) since it allows for the loss of equipment connected to the substation to be removed from service without affecting all other facilities connected to the substation during such an outage condition. . These upgrades would increase the reliability of the Coolwater 220 kV Switchrack in its new network configuration, would simplify future additions, minimize loss of station capacity during forced or planned outages, and improve the selectivity of the system protection.

Moreover, there are currently, eight 500 kV transmission lines that terminate at SCE’s existing Lugo Substation. Per the CAISO’s 2010-2011 and 2011-2012 Transmission Plans (Appendix L), loss of the entire Lugo 500/220 kV Substation would cause the north of Lugo system to be unstable. To restore system synchronism, extensive generation tripping in the North of Lugo area and load tripping in the LA Basin would be required. Coolwater-Lugo would facilitate construction of a multipurpose 500/220/115/12 kV Desert View Substation which would allow future 500 kV transmission lines to be delooped out of the Lugo Substation thus reducing the number of 500 kV transmission lines terminating at Lugo Substation This would allow 500 kV system connections to remain which would result in improving overall system reliability by reducing the amount of generation and load that would be need to be tripped under the loss of Lugo Substation.

c. Identify and include a copy as an attachment any CAISO studies that describe, quantify and provide timing for the system reliability issues for which CLTP is claimed to address or resolve.

Regarding the Lugo-Pisgah line protection reliability improvements, the CAISO does not specify or approve line protection. Furthermore, regarding the reliability improvements to the Coolwater 220 kV Switchrack, the CAISO does not specify or approve switchrack changes either. Line protection and switchrack improvements are under the Participating Transmission

Owner's (PTO) design specifications which are in place to meet applicable NERC and WECC reliability criteria.

The CAISO's 2010-2011 and 2011-2012 Transmission Plans, describe the loss of the entire Lugo 500/230 kV Substation and quantify that this event would cause the north of Lugo system to be unstable. However, these reports do not provide timing for any mitigation to resolve this reliability issue. CAISO's 2010-2011 and 2011-2012 Transmission Plans are provided in Appendix L.

9. Attach a copy of the December 12, 2008 Interconnection Study and the 2010/2011 Annual TPP Study referenced by counsel for SCE at the December 17, 2014 PHC. (Transcript at 13.)

The April 2, 2007 Harper Lake Solar Plant Generation Interconnection Feasibility Study, the June 27, 2008 Harper Lake Solar Plant Project, the October 30, 2009 Harper Lake Solar Plant Interconnection Facilities Study, and the CAISO 2010-2011 Transmission Plan studies are provided in Appendix L.

IV.

ELIGIBILITY FOR 399.2.5 RECOVERY

This section is unchanged from the August 28, 2013 Application.

V.

PROJECT COST INFORMATION

Coolwater-Lugo (whose scope represents the majority of what was formerly referred to as the South of Kramer Project) would ensure the deliverability of the Commercial Interest Portfolio's 750 MW of renewable generation in the Kramer zone and 106 MW in the Lucerne zone as indicated in the 2012-2013 CAISO Annual Transmission Plan. (Appendix L CAISO 2012-2013 Annual Transmission Plan at 155.) Under minimum load conditions, the amount of incremental generation output that could be accommodated by Coolwater-Lugo would be limited

to approximately 500 MW,¹³ due to incremental congestion on the existing Lugo No.1AA and No.2AA 500/220 kV transformer banks resulting from lower load demand. is required to facilitate the interconnection of a minimum of up to 1000 MW of new generation in the Kramer Junction and Lucerne Valley area of San Bernardino County by increasing transmission capacity between existing Lugo Substation and Coolwater Switchyard . For Coolwater-Lugo, SCE investigated various alternatives to increase this transmission capacity.

As discussed in the PEA, Chapter 2, there are two alternative transmission line paths. The first alternative is based on different corridor options in the north end of the project out of Coolwater Switchyard and the south end of the project out of Lugo Substation. The second alternative is the same as the first except in the vicinity of the Marine Corps Logistics Base Barstow in the north end of the project. PEA Figure 2.1-C depicts the proposed and two alternative routes. To accommodate this new transmission capacity, SCE would also construct a new Desert View Substation (initially constructed as a switchyard) at an Initial Buildout and modify existing Coolwater Switchyard and existing Lugo Substation, and construct the necessary telecommunications facilities to support the project.

In compliance with Public Utilities Code § 1005.5(a),¹⁴ SCE developed estimated costs for alternative solutions identified for Coolwater-Lugo. For each solution, SCE estimated the costs for the project's direct costs and contingency. The following describes the estimated costs for Coolwater-Lugo broken down by cost type, followed by a discussion about the alternative solutions and SCE's proposed solution. All costs are provided in 2013 constant dollars, unless

¹³ Without installation of a Lugo No.3AA 500/220 kV transformer bank, the capacity of Coolwater-Lugo would be dictated by the remaining capacity of the existing Lugo No.1AA & No.2AA 500/220 kV transformer banks which have an anticipated remaining capacity of approximately 500 MW in the year 2018 under minimum load conditions.

¹⁴ Pub. Util. Code § 1005.5(a) provides that: "Whenever the commission issues to an electrical . . . corporation a certificate authorizing the new construction of any addition to or extension of the corporation's plant estimated to cost greater than fifty million dollars (\$50,000,000), the commission shall specify in the certificate a maximum cost determined to be reasonable and prudent for the facility."

otherwise noted. As shown in Amended Appendix H, the total estimated project direct costs for the variations of the proposed solution presented in this testimony range from \$460 million to \$694 (or \$621 to \$936 including 35% contingency) million in 2013 constant dollars.

Consistent with SCE's request in A.09-05-027 (Eldorado-Ivanpah Transmission Project), and the resulting Commission decision (D.10-12-052), SCE proposes the use of deflation factors to convert actual expenditures in future years to their equivalent value in 2013 dollars. SCE believes the deflation factors should be calculated using an index such as the Handy-Whitman Index of Public Utility Construction Costs and considering other factors that have significant influences on the cost of the project.

A. Estimated Direct Costs of Coolwater-Lugo

Estimated direct costs include costs for preliminary and final engineering, construction, labor, materials, real estate, telecommunications and project support based on preliminary scopes of work for the different project components.

The primary components of Coolwater-Lugo include:

- **Transmission Lines:** Removal of approximately ~~45~~ 29.1 miles of the existing Lugo-Pisgah No.1 ~~and No. 2~~ 220 kV transmission lines between the existing Lugo Substation and the intersection of Haynes Road and SR-247 and 16.0 miles of the existing Lugo-Pisgah No. 2 220 kV transmission line between the existing Lugo Substation and the proposed Desert View Substation; installation of approximately 48 miles of 220 kV double circuit transmission lines between the existing Coolwater Switchyard and proposed Desert View Substation; and installation of approximately 17 miles of a 500 kV single circuit transmission line with 2B-2156 ACSR conductor (initially energized at 220 kV) between the proposed Desert View Substation and existing Lugo Substation.
- **Substations:** Installation of the new Desert View Substation with Initial Build Out; modifications to the Lugo Substation and the Coolwater Switchyard.

- **Environmental:** Compliance with environmental mitigation, monitoring and restoration requirements.
- **Other:** Complete preliminary engineering and licensing; acquisition of the necessary real estate rights for the project; communication systems upgrades for grid operations; and distribution upgrades.

The scope of work for these components is discussed in greater detail in the PEA, Chapter 3, Project Description. The estimated costs were developed based on SCE's extensive and recent experience in estimating and constructing similar recent projects. SCE's estimated direct costs include labor, materials, equipment, and real estate. Labor costs include field personnel and project support costs. Field personnel costs are based on assumptions for the make up of various crews required to safely and effectively construct the project's components. Project support costs represent resources required to support the construction activities, including but not limited to project management, project controls, environmental monitoring, and permitting. Material and equipment costs include but are not limited to estimates for steel, concrete, transformers, insulators, transmission and distribution conductors, and Optical Ground Wire ("OPGW"). Estimated real estate costs are also included for expected right of ways required from private and public lands. Estimates of the expected direct costs by the primary components and, where applicable, alternatives are listed in Amended Appendix H.

B. SCE's Contingency Estimate

This section is unchanged from the August 28, 2013 Application.

C. Summary Of Estimated Costs For Coolwater-Lugo And Alternatives

The costs associated with the proposed and alternative project scopes of work are broken down in the project cost table, Amended Appendix H. The left side of the table lists the potential scope elements grouped by the following categories: licensing, substation, transmission lines rated 200 kV or greater, transmission lines rated below 200 kV, distribution line work, telecommunication elements, real estate, and environmental work. The estimated costs are provided next to each element. The alternatives considered for Coolwater-Lugo are primarily

based on the alternative routes for the transmission lines rated 200 kV or greater. Each alternative is based on a combination of twelve distinct line segments. SCE has developed three alternatives based on these segments: the Proposed Project, Alternative Project with Segment 9, and Alternative Project with Segment 10. Between these alternatives, the scope of the other elements varies in order to accommodate the different routes.

As noted in the Amended Appendix H, the first build out of Desert View Substation can vary between the alternatives and within each alternative. For the Proposed Project, “Minimum” includes switchrack with limited fencing and limited civil work, and “Initial” includes a switchrack with grading of the entire site and wall enclosure around the entire site. For both Alternative with Segment 9 and Alternative with Segment 10, “Minimum” includes dead-end rack with limited fencing and limited civil work, and “Initial” includes dead-end rack with grading of the entire site and wall enclosure around the entire site. “Full” refers to full build out of the Desert View Substation including all necessary equipment for the proposed and alternate projects. Similarly, the 220kV configuration between Coolwater and the existing Lugo-Pisgah No. 1 220 kV transmission corridor varies between the “Minimum,” “Initial,” and “Full” Buildout options. “Minimum” consists of double circuit 220kV towers, with only one side strung, while “Initial” and “Full” consist of 220kV towers with both sides strung.

In summary, the PEA project description and Amended Appendix H will have three levels and cost totals for each route alternative:

- Minimum Buildout – This would include the minimum required components needed to satisfy the Mojave Solar Project LGIA and full capacity deliverability. This will have double-circuit structures strung on one side only for the Coolwater to Jasper area line, 220 kV double-circuit from the Jasper area to Desert View, 500kV construction energized at 220kV from Desert View to Lugo, and the minimum switchrack dimensions of the Desert View Substation site graded and fenced. No Lugo 500kV upgrades or additional AA bank would be proposed.

- Initial Buildout (Proposed Project)– This option is the SCE’s proposed project build out. This option will add the second circuit strung in a "box-loop" configuration from Coolwater to the Jasper area, and the grading and fencing of the entire Desert View Substation site. No Lugo 500kV upgrades or additional AA bank would be proposed.
- Full Build-Out – At the full build out and dependent upon the CAISO’s studies and approval, this will add the construction of the complete Desert View Substation. .

The direct cost estimates are represented in 2013 constant dollars, as reflected in Amended Appendix H. Including a contingency level consistent with SCE’s recent CPCN applications and what a reasonable contingency would be for a project at the conceptual stage of engineering, the total project direct costs are estimated to vary between \$460 million to \$694 (or \$621 to \$936 including 35% contingency) million in 2013 constant dollars for the Minimum, Initial, and Full Buildout Options of Coolwater-Lugo.

There are two methods by which SCE can recover financing costs: (1) Allowance for Funds Used During Construction (“AFUDC”), and (2) Construction Work in Progress (“CWIP”) in SCE’s rate base. FERC has authorized CWIP, which is applicable to the qualified elements of scope contained in SCE’s petition.¹⁵ Consistent with past CPCNs, the financing costs during the project development and execution are not included in a CPCN finding of maximum prudent cost. However, SCE is providing an estimate of the financing costs during the project development and execution. For the proposed Initial scope that does not include contingency, the estimated financing costs during project development and execution are estimated to be \$120 million in nominal dollars. This is based on the cost estimate in Amended Appendix H and uses conceptual schedule assumptions. Actual financing costs may vary and will be based on actual spend and schedule and use of contingency.

Similarly, the operating and maintenance (“O&M”) costs for the associated assets are not included in a CPCN maximum prudent cost finding. Coolwater-Lugo is expected to have assets

¹⁵ See 134 FERC ¶61,181 in Docket EL11-10-000, issued March 11, 2011.

in service for decades. Currently, there are many uncertainties concerning the final scope of Coolwater-Lugo and, therefore, the scope of future O&M for a major project like Coolwater-Lugo. Not only would the final scope impact what needs to be operated and maintained for decades, but the related requirements and field methods are expected to evolve over time. Ultimately, SCE will seek recovery for the O&M costs in a rate case proceeding. SCE is providing an estimate of annual operating and maintenance costs to be approximately \$13 million in 2013 constant dollars. This is based on a simplified system average calculations consistent with SCE's Formula Transmission Rate Informational Filing contained in FERC Docket No. ER-11-3697, dated September 14, 2012. SCE expects future actual operating and maintenance costs to vary from this amount and vary from year to year given that the project useful life spans over decades.

VI.

PUBLIC UTILITIES CODE § 1005 AND ADJUSTMENT OF THE MAXIMUM REASONABLE AND PRUDENT COST ESTIMATE

This section is unchanged from the August 28, 2013 Application.

VII.

PROCEEDING CATEGORY, NEED FOR HEARINGS, AND SCHEDULE

In compliance with Rule 2.1(c) of the Commission's Rules of Practice and Procedure (California Code of Regulations Title 20), SCE is required to state in this Application "the proposed category for the proceeding, the need for hearing, the issues to be considered, and a proposed schedule." SCE proposes to categorize this Application as a ratesetting proceeding. SCE anticipates that hearings will be necessary. This proceeding involves the Commission's (i) environmental review of the Coolwater-Lugo in compliance with CEQA and the Commission's G.O. 131-D; and (ii) issuance of a CPCN authorizing SCE to construct the Coolwater-Lugo.

SCE suggests the following proposed schedule for this Application. The schedule assumes the Commission will approve the Environmental Impact Report at a Commission Meeting following shortly after the expiration of the one-year period following the Commission's acceptance of a complete application as required by Public Resources Code § 21100.2.

Application Filed	8/28/2013
Daily Calendar Notice Appears	9/2013
Protests	9/27/2013
Replies	10/7/2013
Prehearing Conference	12/17/2013
<u>Amended Application Filed</u>	<u>4/25/2014</u>
<u>Daily Calendar Notice Appears</u>	<u>5/2014</u>
<u>Protests</u>	<u>5/27/2014</u>
<u>Application Found Complete</u>	<u>6/2014</u>
Draft EIR Circulated	10/2014
Comments on Draft EIR	12/2014
Prehearing Conference	1/2015
Opening Testimony Due	3/2015
Rebuttal Testimony Due	4/2015
Evidentiary Hearings	6/2015
Concurrent Opening Briefs Due	7/2015
Concurrent Reply Briefs Due	8/2015
Final EIR Issued	9/2015
Proposed Decision Issued	9/2015
Comments on Proposed Decision Due	9/2015
Reply Comments Due	9/2015
Final Decision Issued	10/2015

VIII.

DEPOSIT FOR COSTS

Pursuant to Rule 2.5 of the Commission's Rules of Practice and Procedure, SCE sent the filing fee of \$75.00 to the Commission's Docket Office on August 28, 2013. Additionally, SCE has complied with Rule 2.5 by sending a deposit in the amount of \$153,157 to the Commission's Energy Division on August 28, 2013, to be applied to the costs of the Commission to prepare an environmental impact report for this project. ~~The remaining deposits will be sent to the~~

Commission according to the schedule, which is set forth in Rule 2.5(e). The remaining deposits have been paid.

IX.

LOCATION OF ITEMS REQUIRED BY PUBLIC UTILITIES CODE SECTION 1003, COMMISSION’S RULES, AND GENERAL ORDER 131-D

The Public Utilities Code, the Commission’s Rules of Practice and Procedure, and the Commission’s General Orders require various items of information to be submitted with CPCN applications. The table below lists the items, the authority which dictates the submittal, and references where the information is included in SCE’s filing.

CPCN APPLICATION FILING REQUIREMENTS			
Requirement	Authority	Appendix	PEA
A detailed description of the proposed project	G.O. 131-D, IX.A.1.a; Rule 3.1(a); Public Utilities Code 1003(a)		3.0
A project map	G.O. 131-D, IX.A.1.b; Rule 3.1(c)		Figure 3.1-B
A purpose and need statement	G.O. 131-D, IX.A.1.c; Rule 3.1(c)		1.0
Project Implementation Plan	Public Utilities Code 1003(b)	Appendix A Project Plan	
Design, Construction Management and Cost Control Plan	Public Utilities Code 1003(e)	Appendix A Project Plan	
A detailed statement of the estimated cost (<u>Amended</u>)	G.O. 131-D, IX.A.1.d; Rule 3.1(f); Public Utilities Code 1003(c)	<u>Amended</u> Appendix H	
Route selection including comparison with alternative routes	G.O. 131-D, IX.A.1.e		2.0
A project schedule showing the program of right-of-way acquisition and construction	G.O. 131-D, IX.A.1.f	Appendix A Project Plan	

CPCN APPLICATION FILING REQUIREMENTS			
Requirement	Authority	Appendix	PEA
Governmental Agency Consultations	G.O. 131-D, IX.A.1.g		Appendix K
PEA	G.O. 131-D, IX.A.1.h		Submitted with <u>Amended</u> Application
EMF Field Study	G.O. 131-D, Section X.A	Appendix B	
Notice of Application (<u>Amended</u>)	G.O. 131-D, XI.A	<u>Amended</u> Appendix C	
Articles of Incorporation (Rule 2.3)	CPUC Information and Criteria List Appendix B, 2.2; Rule 2.2, Public Utilities Code 1004	Appendix D	
Financial Statement (Rule 2.3); Statements and/or exhibits showing financial ability of applicant to render service; Annual Report and/or Proxy Statement	CPUC Information and Criteria List Appendix B, 2.3; Rule 3.1(g) and (1); Rule 2.3	<u>Amended</u> Appendix E	
Names/addresses of all utilities, corporations, persons, or entities with which the proposed construction is likely to compete, and names of cities and counties within which service will be rendered	Rule 3.1(b)	Appendix F	
List identifying the permits required	Rule 3.1(d)		Appendix L
Annual revenue requirement	Rule 3.1(h); Public Utilities Code 1003(d)	Appendix G	

X.

CONCLUSION

This Amended Application amends and supplements SCE's A.13-08-023, filed August 28, 2013. SCE respectfully requests the Commission issue a CPCN for the Coolwater-Lugo Transmission Project.

Respectfully submitted,

TAMMY JONES

/s/ Tammy Jones

By: Tammy Jones

Attorneys for
SOUTHERN CALIFORNIA EDISON COMPANY

2244 Walnut Grove Avenue
Post Office Box 800
Rosemead, California 91770
Telephone: (626) 302-6634
Facsimile: (626) 302-1926
E-mail: tammy.jones@sce.com

Appendix A

PROJECT PLAN

This Appendix remains unchanged from the August 28, 2013 Application filing.

Appendix B

FIELD MANAGEMENT PLAN

This Appendix remains unchanged from the August 28, 2013 Application filing.

Appendix C

NOTICE OF APPLICATION - AMENDED

**NOTICE OF AMENDED APPLICATION FOR A
CERTIFICATE OF PUBLIC CONVENIENCE AND NECESSITY**

COOLWATER-LUGO TRANSMISSION PROJECT

Filing Date: April 25, 2014

Proposed Project: Southern California Edison Company (SCE) has filed an amended application with the California Public Utilities Commission (CPUC) to construct the Coolwater-Lugo Transmission Project (Proposed Project). (A.13-08-023)

Project Description: The Barstow, Inyokern, Kramer, Lucerne Valley, and Owens Valley areas have been identified to be rich solar and wind resource areas in the State of California. One of the major existing bottlenecks that would preclude the transfer of energy produced from renewable resources accumulating at Kramer Substation, located in Kramer Junction, to Lugo Substation, located in Hesperia, is referred to as the Kramer-Lugo transmission corridor. The purpose of the Proposed Project is to provide additional transmission capacity needed in the Kramer Junction and Lucerne Valley areas to support large-scale renewable generation development, system reliability, and future load serving in the Town of Apple Valley.

The Proposed Project includes the following elements (please refer to the enclosed map below):

- Construction of a new 500/220/115/12 kilovolt (“kV”) substation (“Proposed Desert View Substation”) west of Lucerne Valley and southeast of the Town of Apple Valley adjacent to SCE’s existing transmission right-of-way.
- Construction of a 220 kV transmission line approximately 34 miles long in new right-of way (“ROW”) located between the existing Coolwater Generating Station 220 kV Switchyard (“Coolwater Switchyard”) and the location of the future Jasper Substation, southwest of the intersection of Haynes Road and State Route 247.
- Replacement of a 220 kV transmission line with a higher capacity 220 kV transmission line, approximately 13.6 miles long, in existing SCE transmission ROW located from southwest of the intersection of Haynes Road and SR-247 to the Proposed Desert View Substation.
- Replacement of two 220 kV transmission lines with a 500 kV rated transmission line, initially energized at 220 kV, approximately 16.6 miles long, from the Proposed Desert View Substation to the existing Lugo Substation.
- Construction of new telecommunication facilities to connect the Proposed Desert View Substation to existing Apple Valley Substation in Apple Valley. Portions of this cable would be strung on existing overhead poles, and on new overhead structures and newly constructed underground conduit system(s). This route would be approximately 11 miles in length.
- Construction of new telecommunication facilities to connect the existing Gale Substation near Daggett to existing Pisgah Substation approximately 40 miles east of Daggett. This route would be constructed on existing overhead pole, and portions would be constructed in newly constructed underground conduit systems. This route would be approximately 29 miles in length.

Construction is scheduled to begin in the 1st quarter of 2016, and the Proposed Project is planned to be operational by April 2018.

Electric and Magnetic Fields (EMF) Compliance: The CPUC requires utilities to employ “no-cost” and “low-cost” measures to reduce public exposure to magnetic fields. In accordance with “EMF Design Guidelines” (Decisions 93-11-013 and 06-01-042.), the Proposed Project would implement a combination of the following measures:

1. Place new substation electrical equipment (such as transformers, capacitors, and switchracks) away from the substation property lines.
2. Utilize taller structures.
3. Utilize increased ground clearance.
4. Utilize double-circuit construction that reduces spacing between circuits as compared with single-circuit construction.
5. Arrange conductors of proposed power line(s) for magnetic field reduction.
6. Locate new substation close to existing power lines to the extent possible.

Environmental Review: SCE has prepared a Proponent’s Environmental Assessment (PEA) of potential environmental impacts created by the construction and operation of the Proposed Project. The PEA concludes that with the implementation of Applicant-Proposed Measures (APMs), the majority of the potential significant environmental effects associated with the Proposed Project would be reduced to less than significant levels. However, impacts to Air Quality and Aesthetics are expected to be significant and unavoidable.

Pursuant to the California Environmental Quality Act (CEQA), the CPUC’s Energy Division will conduct an independent review of the proposed project’s environmental impacts. Depending on the results of its review, the Energy Division will issue a Negative Declaration that the proposed project will not result in any significant environmental impacts, or an

environmental impact report (EIR) identifying the significant environmental impacts and mitigation measures and alternatives to avoid or reduce them.

Public Participation:

- The public may participate in the environmental review by submitting comments on the Notice of Intent to Approve a Negative Declaration, or on the Notice of Preparation of EIR and draft EIR, and by participating in any scoping meetings or public meetings that may be conducted. For information on the environmental review, contact the CPUC's Energy division at enviroteam@cpuc.ca.gov or (415)703-2126.
- Persons wishing to present testimony in evidentiary hearings and/or legal briefing on all other issues, including project need and cost, EMF compliance; and, if one is prepared, whether the EIR complies with CEQA, require party status. Persons may obtain party status by filing a protest to the application by **May 27, 2014**, in compliance with Rule 2.6, or by making a motion for party status at any time in compliance with Rule 1.4, of the CPUC's Rules of Practice and Procedure (posted at www.cpuc.ca.gov).
- The public may communicate their views regarding the application by writing to the CPUC at 505 Van Ness Avenue, San Francisco, CA 94102, or by emailing the Public Advisor at public.advisor@cpuc.ca.gov. In addition, the CPUC may, at its discretion, hold a public participation hearing in order to take oral public comment.

Document Subscription Service: The CPUC's free online subscription service sends subscribers an email notification when any document meeting their subscription criteria is published on the CPUC's website, such as documents filed in a CPUC proceeding (e.g., notices of hearings, rulings, briefs and decisions). To sign up to receive notification of documents filed in this proceeding (or other CPUC matters), visit www.cpuc.ca.gov/subscription.

Contacts: For assistance from the CPUC, please contact the Public Advisor in San Francisco at (415)703-2074 (public.advisor@cpuc.ca.gov) or in Los Angeles at (213)567-7055 (Public.Advisor.LA@cpuc.ca.gov).

To review a copy of SCE's application, or to request further information about the proposed project, please contact:

For Apple Valley, Barstow, Daggett, and Lucerne Valley:

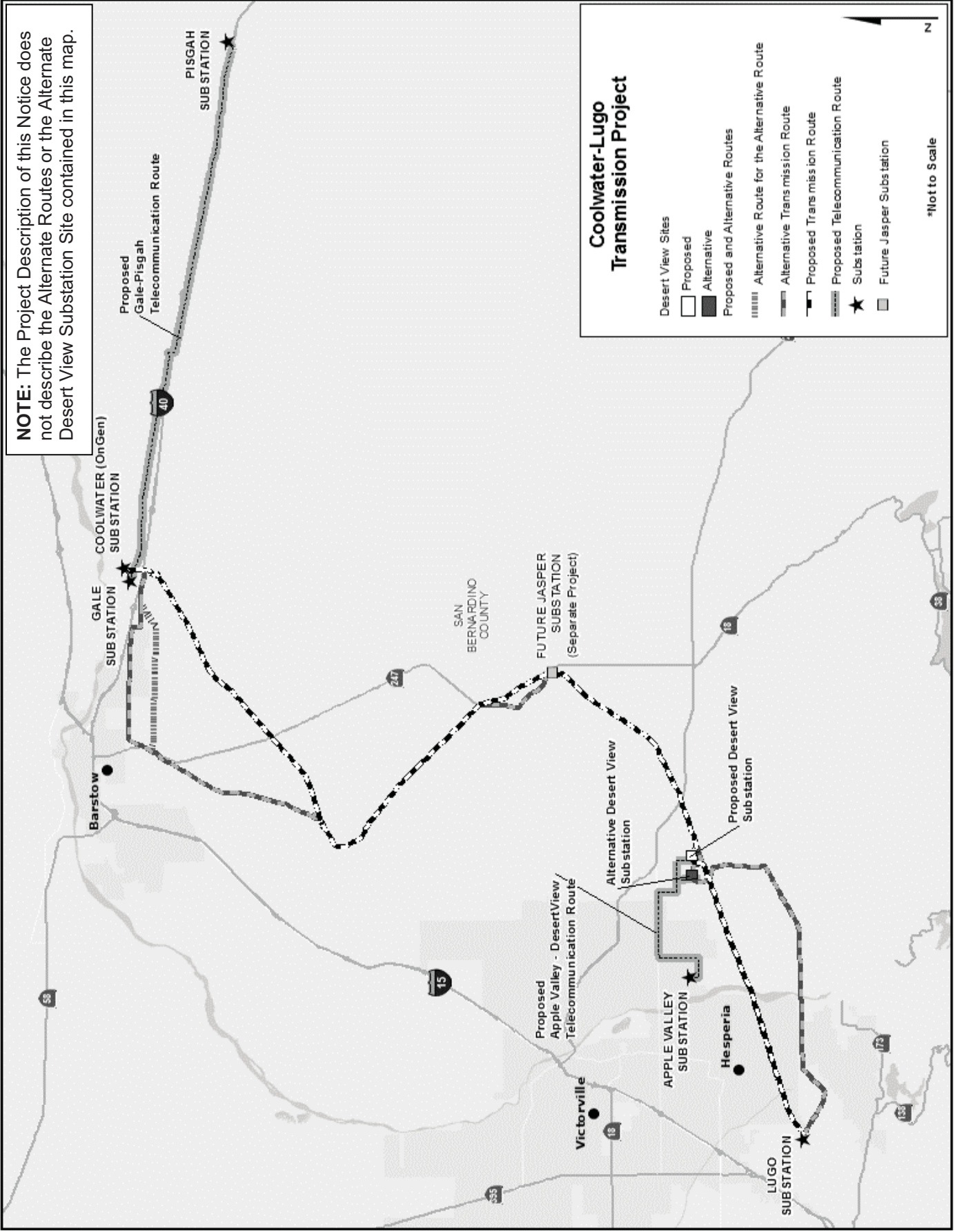
Nancy Jackson (Region Manager)
SCE Local Public Affairs
12353 Hesperia Road
Victorville, CA 92395
Phone: (760) 951-3160

For Hesperia:

Julie Gilbert (Region Manager)
SCE Local Public Affairs
12353 Hesperia Road
Victorville, CA 92395
Phone: (760) 951-3295

Additional information may be found at www.sce.com/coolwaterlugo

NOTE: The Project Description of this Notice does not describe the Alternate Routes or the Alternate Desert View Substation Site contained in this map.



Coolwater-Lugo Transmission Project

- Desert View Sites
 - Proposed
 - Alternative
 - Proposed and Alternative Routes
 - Alternative Route for the Alternative Route
 - Alternative Transmission Route
 - Proposed Transmission Route
 - Proposed Telecommunication Route
 - Substation
 - Future Jasper Substation
- *Not to Scale



**Coolwater-Lugo Transmission Project
Agency Mailing List for Notice of Amended Application for CPCN**

First Line	Second Line	MAILING ADDRESS	MAILING CITY	STATE	ZIP
The Honorable Art Bishop, Mayor	Town of Apple Valley	14955 Dale Evans Parkway	Apple Valley	CA	92307
Mr. Frank Robinson, Town Manager	Town of Apple Valley	14955 Dale Evans Parkway	Apple Valley	CA	92307
Mr. Jason Lamoreaux, Chairman	Town of Apple Valley Planning Commission	14955 Dale Evans Parkway	Apple Valley	CA	92307
Ms. Lori Lamson, Community Development Director	Town of Apple Valley Community Development	14955 Dale Evans Parkway	Apple Valley	CA	92307
The Honorable Thurston Smith, Mayor	City of Hesperia	9700 Seventh Avenue	Hesperia,	CA	92345
Mr. Mike Podegracz, City Manager	City of Hesperia	9700 Seventh Avenue	Hesperia,	CA	92345
Mr. Dave Reno, Principal Planner	City of Hesperia	9700 Seventh Avenue	Hesperia,	CA	92345
Mr. Chris Elvert, Chairman	City of Hesperia Planning Commission	9700 Seventh Avenue	Hesperia,	CA	92345
The Honorable Janice Rutherford, Chair Board of Supervisors	County of San Bernardino	385 N. Arrowhead Avenue, 5th	San Bernardino	CA	92415
The Honorable Robert Lovingood, 1st District Supervisor	County of San Bernardino, Board of Supervisors	385 N. Arrowhead Avenue, 5th Floor	San Bernardino	CA	92415
The Honorable James Ramos, 3rd District Supervisor	County of San Bernardino, Board of Supervisors	385 N. Arrowhead Avenue, 5th Floor	San Bernardino	CA	92415
Mr. Gregory C. Devereaux, County Executive Officer	County of San Bernardino County	385 N. Arrowhead Avenue, 5th Floor	San Bernardino	CA	92415
Mr. Tom Hudson, Director	County of San Bernardino Land Use Services Dept	385 N. Arrowhead Avenue, 1st Floor	San Bernardino	CA	92415
Ms. Michelle McCoy, Secretary	County of San Bernardino Planning Comm.	385 N. Arrowhead Avenue, 1st Floor	San Bernardino	CA	92415
Ms. Terri Rahhal, Director	County of San Bernardino Planning Department	385 N. Arrowhead Avenue, 1st Floor	San Bernardino	CA	92415
Mr. Robert Oglesby, Executive Director	California Energy Commission	1516 Ninth Street	Sacramento	CA	95814-5512
Ms. Karen Miller, CPUC Public Advisor	California Public Utilities Commission	505 Van Ness Avenue	San Francisco	CA	94102
Mr. Edward Randolph, Energy Division Director	California Public Utilities Commission	505 Van Ness Avenue	San Francisco	CA	94102
Randell Iwasaki, Director	California Department of Transportation	PO Box 942873	Sacramento,	CA	94273-0001
Sandra Shewry, Director	Department of Health Services	Capitol Ave., Suite 6001	Sacramento	CA	94234-7320
Mike Chrisman, Secretary	California Resources Agency	1416 Ninth St., Suite 1311	Sacramento,	CA	95814
Donald Koch, Director	California Department of Fish and Wildlife Headquarters	1416 Ninth Street	Sacramento,	CA	95814
Dorothy Rice, Executive Director	State Water Resources Control Board	1001 "I" Street	Sacramento,	CA	95814
Richard Corey, Division Chief	California Air Resources Board Stationary Source Division	1001 "I" Street PO Box 2815	Sacramento,	CA	95812
Gary Cathey, Acting Chief	California Department of Transportation	Division of Aeronautics, MS # 40 PO Box 942874	Sacramento,	CA	94274-0001
Gerard Thibeault, Executive Officer	California Regional Water Quality Control Board	Santa Ana Office 3737 Main Street, Suite 500	Riverside,	CA	92501-3339

**Coolwater-Lugo Transmission Project
Agency Mailing List for Notice of Amended Application for CPCN**

First Line	Second Line	MAILING ADDRESS	MAILING CITY	STATE	ZIP
Dr. Ray Wolfe, Director	California Department of Transportation District 8	464 West 4th Street	San Bernardino	CA	92401
Barry Wallerstein, Executive Officer	South Coast Air Quality Management District	21865 Copley Drive	Diamond Bar	CA	91765
Dan Swenson, Section Chief	U.S. Army Corps of Engineers Regulatory Division	915 Wilshire Blvd. – Suite 1085	Los Angeles	CA	90017
Debra Hawk Habitat Conservation Supervisor	Department of Fish and Wildlife	407 West Line Street	Bishop,	CA	93514
Victor Globa	FAA – Western Region Environmental Protection	PO Box 92007	Los Angeles	CA	90009
Raymond Bransfield Senior Biologist	Ventura Fish and Wildlife Office United States Fish and Wildlife Service	2493 Portola Road, Suite B	Ventura,	CA	93003
Kevin Blakeslee Deputy Director	San Bernardino County Flood Control District	825 East Third Street	San Bernardino	CA	92415
Eldon Heaston, Executive Director	Mojave Desert Air Quality Management District	14306 Park Avenue	Victorville,	CA	92392
Annesley Ignatius, Deputy Director	San Bernardino Flood Control District - Environmental & Construction	825 East Third Street	San Bernardino	CA	92415
Aram Benyamin, PE	Senior Assistant General Manager – Power System Los Angeles Dept. of Water & Power	111 N. Hope St.	Los Angeles	CA	90012
Katrina L. Symons, Field Manager	Bureau of Land Management Barstow Field Office	2601 Barstow Road	Barstow	CA	92311

**Coolwater-Lugo Transmission Project
Interested Party Mailing List for Notice of Amended Application for CPCN**

First Line	Second Line	MAILING ADDRESS	MAILING CITY	STATE	ZIP
Alice Bond	The Wilderness Society	655 Montgomery St., Suite 1000	San Francisco	CA	94111
Adriana Collett		22241 Nisqually Rd #21	Apple Valley	CA	92308
Alana ARPS		16026 Ocotilla Rd.	Apple Valley	CA	92307
Alex Rodriguez	Daggett Fire Dept	35475 National Trails Hwy	Daggett	CA	92327
Alice Bond, Public Lands Policy Analyst	The Wilderness Society	655 Montgomery St, Ste 1000	San Francisco	CA	94111
Andrea Regalado, Regional Data Services Mgr	Dept of Defense	Bldg 1160 LL Rm 4	Camp Pendleton	CA	
Andy Silva, Field Representative	County of San Bernardino	385 N. Arrowhead Ave., 5th Fl.	San Bernardino	CA	92415
Ann Brierty	Policy/Cultural Resources Dept. San Manuel Band of Mission Indians	26569 Community Center Drive	Highland,	CA	92346
Ann Brierty, Policy/Cultural Resources Dept.	San Manuel Band of Mission Indians	26569 Community Center. Drive	Highland	CA	92346
Anne Kearns	National Parks Service	2701 Barstow Rd.	Barstow	CA	92311
Annie Raish		25980 LARAMIE ST	Apple Valley	CA	92308
Anthony Madrigal, Director, Policy and Cultural Resources Management	San Manuel Band of Mission Indians	P.O. Box 266	Patton	CA	92369
Anthony Riley, Senior Account Executive	Passantino Andersen Communications	8365 Jefferson Ct.	Hesperia	CA	92344
April Sall, Chairperson	California Desert Coalition	P.O. Box 1508	Yucca Valley	CA	92286
April Sall, Conservation Director	The Wildlands Conservancy	51010 B Pipes Canyon Rd.	Pioneertown	CA	92268
Art & Vivian Hadley		31590 Spinel St.	Lucerne Valley	CA	92356
Art Bishop, Mayor Pro Tem	Town of Apple Valley	14955 Dale Evans Parkway	Apple Valley	CA	92307
Art Bishop, Mayor Pro Tem	Town of Apple Valley	16273 Crown Valley Pkwy	Apple Valley	CA	92307
Barb Stanton, Council Member	Town of Apple Valley	14955 Dale Evans Parkway	Apple Valley	CA	92307
Barbara Jones		9425 Buena Vista	Apple Valley	CA	92308
Barbara M. Riddle		P.O. Box 1799	Lucerne Valley	CA	92356
Barbara Rodriguez, Engineer	Daggett Fire Dept.	35305 Mojave Rd.	Daggett	CA	92327
Barbara Vede		PO Box 1179	Lucerne Valley	CA	92356
Basha	Resident	8378 Bellview	Apple Valley	CA	
Bert Bays	Transition Habitat Conservancy	P.O. Box 720026	Pinon Hills	CA	92372
Beryl Bell, CSD Secretary	Daggett Community Center	35421 Hwy 66	Daggett	CA	92327
Betty Munson, President	Johnson Valley Improvement Association	50567-A Quailbush Rd.	Johnson Valley	CA	92285
Bill & Jan Lambright	Lucerne Valley Market & Hardware	9115 Bowen Ranch Rd.	Apple Valley	CA	92308
Bill Jarim		P.O. Box 121	Lucerne Valley	CA	92356
Bill Lembright	Lucerne Valley Market and Hardware	PO Box 749	Lucerne Valley	CA	92356
Bill Studt, Interim President	Barstow Community College	2700 Barstow Road	Barstow	CA	92311
Bob Brenda, Director Facility Development	BNSF	740 East Carnegie Drive	San Bernardino	CA	92408
Bob Burke	Society for the Conservation of Bighorn Sheep	P.O. Box 1407	Yermo	CA	92398
Bob Smith, Board Members	Yermo Community Service District	P.O. Box 206	Yermo	CA	92398
Bob Vasseur, Editor	Silver Valley Sentinel	P.O. Box 220	Newberry Springs	CA	92365

**Coolwater-Lugo Transmission Project
Interested Party Mailing List for Notice of Amended Application for CPCN**

First Line	Second Line	MAILING ADDRESS	MAILING CITY	STATE	ZIP
Brad Hiors		31542 Spinel St.	Lucerne Valley	CA	92356
Brad Merrell, Engineer	City of Barstow	220 E Mountain View	Barstow	CA	92311
Brian Bacom		31922 Brucite St.	Lucerne Valley	CA	92356
Brian Fischer, President	Newberry Springs Senior Center	P.O. Box 244	Newberry Springs	CA	92365
Brooke Bratanov		35475 National Trails Hwy	Daggett	CA	92327
Bruce Dick		13274 Baldrige Dr	Lucerne Valley	CA	92356
Bruce Kallen Planning Commission Chair	Town of Apple Valley	14955 Dale Evans Parkway	Apple Valley	CA	92307
Bruce LaChance	Senior News	7746 Victor Ave.	Hesperia	CA	92345
BSG Group, LLC		P.O. Box 608	Apple Valley	CA	92307
Buford Crites, Board Member	Mojave Desert Land Trust	6393 Sunset Road	Joshua Tree	CA	92252
C	Land Keys	17273 Mesquite Rd	Apple Valley	CA	92307
Cal Camara, General Manager	Hesperia Recreation and Park District	P.O. Box 401055	Hesperia	CA	92340
California Association of 4WD Clubs, Inc.		8120 36th Ave.	Sacramento	CA	95824
California Route 66 Museum		P.O. Box 2151	Victorville	CA	92393-2151
California State Senate-District 17		14343 Civic Drive	Victorville	CA	92392
Carl Coleman	Altec Engineering	19531 Hwy 18	Apple Valley	CA	92307
Carlos De La Peza		15340 CASINO	HACIENDA HEIGHTS	CA	91745
Carmen Hernandez, Councilwoman	City of Barstow	220 E Mountain View St., Suite A	Barstow	CA	92311
Carol Wiley	Mojave Group, Sierra Club	15457 Camino	Victorville	CA	92394
Charles Wood, Chairperson	Chemehuevi Reservation	P.O. Box 1976	Chemehuevi Valley	CA	92363
Charlie Riether	Victor Valley RC Flyers, Inc.	P.O. Box 402271	Hesperia	CA	92340
Charlotte Kirk, President	California Route 66 Museum	P.O. Box 2151	Victorville	CA	92393-2151
Charlotte Pienkos	The Nature Conservancy	523 W 6th St Ste 1216	Los Angeles	CA	90014
Charlotte Pienkos	The Nature Conservancy	523 W 6th St Ste 1216	Los Angeles	CA	90014
Chase Kappell	Elison, Schneider & Harris L.L.P.	2600 Capitol Avenue, Suite 400	Sacramento	CA	
Chris Carrillo, Deputy Chief of Staff	County Supervisor James Ramos	385 N. Arrowhead Avenue, 5th Floor	San Bernardino	CA	92415
Chuck Bell	LVEDA	PO Box 193	Lucerne Valley	CA	92356
Chuck Bell, President	Lucerne Valley Economic Development c/o Lucerne Valley Senior Center	P.O.Box 1825	Lucerne Valley	CA	92356
Chuck Bell, President	Mojave Desert Resources Conservation Dist.	14393 Park Avenue #200	Victorville	CA	92392
City of Barstow		220 E. Mountain View Street, #A	Barstow	CA	92311
Claudia Sall, Secretary	Morongo Basin Conservation Ass'n.	P.O. Box 24	Joshua Tree	CA	92252
Clede R. Beckley		P.O. Box 890	Lucerne Valley	CA	92356

**Coolwater-Lugo Transmission Project
Interested Party Mailing List for Notice of Amended Application for CPCN**

First Line	Second Line	MAILING ADDRESS	MAILING CITY	STATE	ZIP
Cliff Earp		14120 Riverside Pl.	Apple Valley	CA	92307
Cliff Reed		PO Box 107	Lucerne Valley	CA	92356
Clyde Miller	Victor Valley RC Flyers, Inc.	P.O. Box 402271	Hesperia	CA	92340
Connie Conway, Assembly Member California State Assembly - 34th District	City of Visalia	113 N. Church Street, #504 & 505	Visalia	CA	93291
Connie Morris		22716 Rancho St	Apple Valley	CA	92308
CR & Yvonne Beckley		PO Box 890	Lucerne Valley	CA	92356
Crystal Johnson		6696 Anna Marie	Apple Valley	CA	92308
Curt Mitchell, City Manager	City of Barstow	220 E. Mountain View Street, #A	Barstow	CA	92311
D Stalter		10747 Corto Rd.	Apple Valley	CA	92308
D-37 AMA, INC.		P.O. Box 1007	Yorba Linda	CA	92885
Dale Hunter, Director	Pacific Gas & Electric Company Rm. 1535, Mail Code N15A	245 Market Street	San Francisco	CA	94105
Dan Nev	Daggett CSD	35658 Mojave Rd.	Daggett	CA	92327
Danette Woo	National Parks Service	2701 Barstow Rd.	Barstow	CA	92311
Danielle Griffith	ESA	426 Wilshire Blvd. Suite 1100	Los Angeles	CA	90017
Danielle Segura	Mojave Desert Land Trust	61732 Twentynine Palms Hwy.	Joshua Tree	CA	92252
Danny Castro, President	California Historic Route 66 Association	PO Box 66	Amboy	CA	92304-0066
Danny Parclue		PO Box 400549	Hesperia	CA	92345
Danny Pardue		10461 MILPAS DR.	APPLE VALLEY	CA	92308
Dave Drott		9480 Tradepost Rd	Lucerne Valley	CA	92356
Dave Goodward Former Conservation Chair	San Bernardino Valley Audobon Society	P.O. Box 10973	San Bernardino	CA	92423-0973
Dave Newman, CSD Manager	Daggett CSD	35258 Mojave Rd.	Daggett	CA	92327
Dave Remo, Planner	City of Hesperia	9700 Seventh Ave.	Hesperia	CA	92345
Dave Reno, PRINCIPAL PLANNER	City of Hesperia	9700 7TH AVE	Hesperia	CA	92345
David Brockhurst, Vice President	Discovery Trails/Main Street Murals	P.O. Box 1117	Barstow	CA	92311
David De Benedetti		16133 Pauhaska Rd.	Apple Valley	CA	92307
David Drader	Leveda/Mitsubishi	36600 Spiner Rd.	Lucerne Valley	CA	92356
David Hochard	DUDEK	605 Third Street	Encinitas	CA	92024
David Johnson		891 Calle Del Norte	Duarte	CA	91010
David Lamfrom, California Desert Field Representative	National Parks Conservation Association	61325 29 Palms Highway, Suite B	Joshua Tree	CA	92252
David Marks	MAGFTC, MCAGCC	Bldg. 1554, Box 788104	Twentynine Palms	CA	92278
David Myers, Executive Director	The Wildlands Conservancy	39611 Oak Glen Rd., Bldg. 12	Oak Glen	CA	92399
David Rib, LVEDA Treasurer	Leveda/Mitsubishi/Cement	5808 S. Hwy 18	Lucerne Valley	CA	92356

**Coolwater-Lugo Transmission Project
Interested Party Mailing List for Notice of Amended Application for CPCN**

First Line	Second Line	MAILING ADDRESS	MAILING CITY	STATE	ZIP
Davie Wayne Stone		7069 Maple Ave.	Hesperia	CA	92345
Dawn Sikes	Assemblyman Tim Donnelly	15900 Smoke Tree	Hesperia	CA	92345
Dawna Barnes		24218 Ocotillo Way	Apple Valley	CA	92308
Dawna Barnes		PO Box 1303	Apple Valley	CA	92307
Debbie Vena		PO Box 402577	Hesperia	CA	92340
Deborah L. Blick Smith		10029 Estrada Ave.	Lucerne Valley	CA	92356
Deborah McKeel		15505 Via Cartayena	Hesperia	CA	92345
Dena Smith, Clerk of the Board of Supervisors	High Desert Corridor Joint Powers Association	385 N. Arrowhead Avenue, 2nd Flr	San Bernardino	CA	92415
Dennis & Denise Johnson		P.O. Box 3732	Apple Valley	CA	92307
Dennis Neal		23788 Mtn View Rd.	Apple Valley	CA	92308
Dennis Neal		43672 MTN VIEW RD	Apple Valley	CA	92308
Dennis Peters	CAISO	P.O. Box 639014	Folsom	CA	95763
Dennis Schramm, Superintendent	Mohave National Preserve & National Parks Service	2701 Barstow Rd.	Barstow	CA	92311
Dennise Purtle		15082 Cromdale St.	Hesperia	CA	92345
Denzil Radford, Ph.D.	Toth & Associates, Inc.	830 E Primrose St, Ste 200	Springfield	CA	65807
Diana French		Fleetwood	Lucerne Valley	CA	92356
Diane Hutchinson	WRIGHT FAMILY TRUST	22007 HURONS AVE.	Apple Valley	CA	92307
District 37 AMA Road Riders		P.O. Box 50882	Pasadena	CA	91115-0882
District 37 Embassy		3550 Foothill Blvd.	Glendale	CA	91214-1828
Domingo Gonzales, Engineer	City of Barstow	220 E Mountain View	Barstow	CA	92311
Don Brochtrup, Manager	Summit Valley Properties, LLC	10043 Gothic Ave.	North Hills	CA	91343-1211
Don Riser, Lieutenant	San Bernardino County Sherriff	225 East Mt. View	Barstow	CA	92311
Donald W. Hutchings, Chairman	Rancho Las Flores Group, Inc.	33971 Selva Road, Suite 250	Dana Point	CA	92629
Donna Kilock		P.O. Box 2704	Apple Valley	CA	92307
Doug & Glesa Metcalf		10160 Kendall	Lucerne Valley	CA	92356
Doug Selsam		14045 Mission St.	Oak Hills	CA	92344
Douglas & Sandra Briney		9579 Bowen Ranch Rd.	Apple Valley	CA	92308
Douglas & Sandra Briney		P.O. Box 1485	Apple Valley	CA	92307
Drew Feldman, Conservation Chair	San Bernardino Valley Audobon Society	P.O. Box 10973	San Bernardino	CA	92423-0973
Duke Fon, DoD Coordinator	BLM - Desert Managers Group	2701 Barstow Rd.	Barstow	CA	92311
Ed Waldheim, President	Friends of El Mirage	75 Colusa Rd.	El Mirage	CA	92301
Eddie Huerta, RV TECHNICIAN	AFFORDABLE RV.	12762 POCONO RD	APPLE VALLEY	CA	92308

**Coolwater-Lugo Transmission Project
Interested Party Mailing List for Notice of Amended Application for CPCN**

First Line	Second Line	MAILING ADDRESS	MAILING CITY	STATE	ZIP
Edna Abreu		16248 Grevillea St.	Hesperia	CA	92345
Edward Rodriguez, Firefighter	Daggett Fire Dept.	33702 2nd St.	Daggett	CA	92327
Edward Rodriguez, Firefighter	Daggett Fire	PO Box 308 Daggett	Daggett	CA	92327
Edythe Seehafer, Environmental Coord.	Bureau of Land Management	2601 Barstow Road	Barstow	CA	92311
Eldon Heaston, Board Members	Mojave Air Quality Management District	14306 Park Avenue	Victorville	CA	92392
Elementis Specialties Inc		31763 Mountain View Road	Newberry Springs	CA	92365-9763
Elizabeth Martino		14207 Tawya Road	Apple Valley	CA	92307
Ellen Pollema, Representative	SANBAG	1170 W. 3rd St #2nd Floor	San Bernardino	CA	92410
Enrico Keric		12962 Sunset Dr	Lucerne Valley	CA	92356
Erin Lieberman	Defenders of Wildlife	1303 J Street, Suite 270	Sacramento	CA	95814
Ernest H. Siva, Tribal Elder	Morongo Band of Mission Indians	9570 Mias Canyon Road	Banning,	CA	92220
Esperanza G. Mireles		526 W. Rosslynn Avenue	Fullerton	CA	92832
Forrest Powles		6546 Escondido Ave	Oak Hills	CA	92344
Fred Wiley, President and CEO	Off-Road Business Association Inc.	1701 Westwind Drive #216	Bakersfield	CA	93301
Gail Kasch		9779 Bellview Rd.	Apple Valley	CA	92308
Gail Lynn, Owner	SlashX	PO Box 1948	Barstow	CA	92311
Garry George, Chapter Network Director	The Audobon Society	4700 North Griffin Ave	Los Angeles	CA	90031
Gary & Tracey Grove		9388 Mustang Ave.	Apple Valley	CA	92308
Gary Abbott	MAG Aviation Fuel (Hesperia Airport)	7070 Summit Valley Road	Hesperia	CA	92345
Gary Kalyon		10448 Des Moines Ave.	Porter Ranch	CA	91326
Gary Mendez		16795 Kayuga St.	Victorville	CA	92395
Gary Stater		P. O. Box 9	Apple Valley	CA	92307
Gary Thomas	Society for the Conservation of Bighorn Sheep	PO Box 94182	Pasadena	CA	91109
Gary Williams		9115 Bowen Ranch Rd.	Apple Valley	CA	92308
Gavin Kelly		1326 Edgecliffe Dr. #5	Los Angeles	CA	90026
Gene Helsley		6367 Arrowhead Lake	Hesperia	CA	92345
Geoff Berner, Director	Yermo CSD	Box 1457	Yermo	CA	92395
George & Gail Stone		9567 Bellview	Apple Valley	CA	92308
George Jasso		22877 Miriam Way	Grand Terrace	CA	92313
George Kawasaki		9580 Bellview Ave.	Apple Valley	CA	92308
George Yablonsky	Lions	PO Box 517	Lucerne Valley	CA	92356
Ginger Scott, Museum Curator; USA Swick, Coord	Colorado River Indian Tribe	26600 Mojave Road	Parker	AZ	85344
Gino Bastianon		9426 Iroquios	Apple Valley	CA	92308
Goldie Walker	Serrano Nation of Indians	P.O. Box 343	Patton	CA	92369
Greg Suba, Conservation Program Manager	California Native Plant Society	2707 K Street, Suite 1	Sacramento	CA	95816
Harold & Joanne Helsley		18619 Ranchoero Road	Hesperia	CA	92345

**Coolwater-Lugo Transmission Project
Interested Party Mailing List for Notice of Amended Application for CPCN**

First Line	Second Line	MAILING ADDRESS	MAILING CITY	STATE	ZIP
Harold & Ruth Nobles		20140 Sohale Rd.	Apple Valley	CA	92307
Harold J. Plunkett		360 Volkmer Way	Williams	CA	97544
Harold Nobles		20140 SAHALE RD.	Apple Valley	CA	92307
Heidi Brannon	Solution Strategies, Inc.	5777 W. Century Blvd, #900	Los Angeles	CA	90045
Heidi Brannon, Vice President, Director of Projects	Solution Strategies, Inc.	5777 W. Century Blvd., Suite 900	Los Angeles	CA	90045
Helen O'Shea, Director	Natural Resources Defense Council	111 Sutter St., 20th floor	San Francisco	CA	94104
Homestead Valley Community Council		P.O. Box 3694	Landers	CA	92285
Ileene Anderson Biologist/Desert Program Director	Center for Biological Diversity	PMB 447, 8033 Sunset Blvd.	Los Angeles	CA	90046
Interested Party		24218 Ocotillo	Apple Valley	CA	92307
Irene James, Business Developer	Tessera Selan	P.O.Box 454	Etiwanda	CA	92336
Irma Maldonado		12021 De Anza Rd	Victorville,	CA	92392
Jaclyn Sarnowski	MAGTFTC, MCAGCC	Bldg. 1554, Box 788104	Twentynine Palms	CA	92278
Jacob Johnson		9515 Mesa Vista St	Apple Valley	CA	92308
Jacob Kasch		9779 Bellview Ave.	Apple Valley	CA	92308
James Hart, City Manager	City of Adelanto	11600 Air Expressway	Adelanto	CA	92301
James Ramos, Chairperson	San Manuel Band of Mission Indians	26569 Community Center Drive	Highland	CA	92346
James Ricker, Assistant Chief of Staff	G-5 Plans, MAGTFTC, MCAGCC	P.O. Box 788101-8101	Twentynine Palms	CA	92278
Jan Lembright	LV Market	PO Box 749	Lucerne Valley	CA	92356
Jane Laraman-Brockhurst, President	Discovery Trails/Main Street Murals	P.O. Box 1117	Barstow	CA	92311
Jason Belchel		9375 Mesa Vista St.	Apple Valley	CA	92308
Jean Magee, Secretary	LVEDA	PO Box 234	Lucerne Valley	CA	92356
Jean Waits		9579 Bowen Ranch Rd.	Apple Valley	CA	92308
Jeff Aardahl, California Representative	Defenders of Wildlife	1303 J Street, Suite 270	Sacramento	CA	95814
Jeff Benton, OWNER	V.P.D.	PO Box 2559	Hesperia	CA	92340
Jeff Conroy		26135 Lancelet	Apple Valley	CA	92307
Jenny Wilder, Chair	Mojave Group, Sierra Club	19607 Sandy Lane	Apple Valley	CA	92308
Jeri Junak, Member	Friends of Juniper Flats	P.O. Box 83	Apple Valley	CA	92307
Jerome McAdam		15410 Via Cartagena St.	Hesperia	CA	92345
Jerry Ryans, Security Storage		PO Box 2207	Lucerne Valley	CA	92356
Jessica Cacho		18714 Wisteria St.	Hesperia	CA	92345
Jet Sison		3595-3 Inland Empire Blvd.	Ontario	CA	91764
Jill Bays, President	Transition Habitat Conservancy	P.O. Box 720026	Pinon Hills	CA	92372
JILLIAN ROCHOA		7558 HYSOP DR	Rancho Cucamonga	CA	91739
Jim Bagley, Realty Specialist	MAGTFTC, MCAGCC	Bldg. 1554, Box 788104	Twentynine Palms	CA	92278
Jim Barnes		P.O. Box 1303	Apple Valley	CA	92307

**Coolwater-Lugo Transmission Project
Interested Party Mailing List for Notice of Amended Application for CPCN**

First Line	Second Line	MAILING ADDRESS	MAILING CITY	STATE	ZIP
Jim Clements, Owner	More Racing	23571 Gaziana St.	Apple Valley	CA	92308
Jim Pettigrow		800 Deep Creek Rd	Apple Valley	CA	92308
Jim Porter	California State Lands Commission	100 Howe Avenue, Suite 100-South	Sacramento,	CA	95825
Jim Russell, Plant Manager	Mitsubishi Cement	5808 State Highway 18	Lucerne Valley	CA	92356
Jim Ventura, Director, Division 2	Mojave Water Agency	22450 Headquarters Drive	Apple Valley	CA	92307
Jim Woods, President	California Off-Road Vehicle Association (CORVA)	1500 West El Camino Ave., #352	Sacramento	CA	95833-1945
Joan Taylor	The Sierra Club (Tahquitz Group)	P.O. Box 4944	Palm Springs	CA	92263
Joan Taylor, Conservation Chair	The Sierra Club (Tahquitz Group)	1850 Smoke Tree Lane	Palm Springs	CA	92264
Joann Pardue	City of Barstow	20050 Happy Valley Rd	Apple Valley	CA	92308
Joanne Cousino, City Clerk		220 E. Mountain View Street, #A	Barstow	CA	92311
Johanna Wald, Senior Attorney NRDC	Abengoa Solar Inc	111 Sutter St., 20th floor	San Francisco	CA	94104
John Costanzo, Compliance Director	City of Hesperia	235 Pine Street, Suite 1800	San Francisco	CA	94104
John Leveillee, City Engineer		9700 7th Avenue	Hesperia	CA	92345
John Medina		7051 MAPLE AVE	Hesperia	CA	92344
John Miller		822 Buena Vista Rd.	Lucerne Valley	CA	92356
John P. Nerison, Sr. Project Manager	POWER Engineers, Inc.	2041 South Cobalt Point Way	Meridian	CA	83642
John Shield		30371 Holmes Rd	Lucerne Valley	CA	92356
John Valenzuela, Chairperson	San Fernando Band of Mission Indians	P.O. Box 221838	Newhall	CA	91322
Jon Davidson, Vice President	Aspen Environmental Group	5020 Chesebro Road, Suite 200	Agoura Hills	CA	91301
Jorn Larsen		PO Box 54	Redlands	CA	92374
Joseph Hamilton, Chairman	Ramona Band of Cahuilla Mission Indians	P.O. Box 391670	Anza	CA	92539
Josh More		21325 TONO RD	Apple Valley	CA	92308
Joshua Basofin	Defenders of Wildlife	1303 J Street, Suite 270	Sacramento	CA	95814
Joyce Woody	City of Barstow	12522 Locust Ave.	Lucerne Valley	CA	92356
Julie Hackbarth-McIntyre, Mayor		220 E Mountain View St., Suite A	Barstow	CA	92311
Justin & Lisa Foster		PO Box 3514	Hesperia	CA	92345
Justin Foster	Desert Dispatch	23150 Rancho	Apple Valley	CA	92305
Karen Jonas, Staff Writer		130 Coolwater Lane	Barstow	CA	92311
Kathy Dunn	Marine Base Logistics Center	P.O. Box 2131	Rancho Cucamonga	CA	91729
Keith Kirklan, Public Works Division		P. O. Box 110198	MCLB, Barstow	CA	92311
Ken More		21325 Tono Rd.	Apple Valley	CA	92308
Ken Soper		18990 Munsee Rd.	Apple Valley	CA	92307
Kevin & Diane Best	Basin and Range Watch	6749 Opal Ave.	Oak Hills	CA	92344
Kevin Emmerich	Victor Valley Transit Authority	P.O. Box 70	Beatty	CA	89003
Kevin Kane		11741 E. Santa Fe Avenue	Hesperia,	CA	92345

**Coolwater-Lugo Transmission Project
Interested Party Mailing List for Notice of Amended Application for CPCN**

First Line	Second Line	MAILING ADDRESS	MAILING CITY	STATE	ZIP
Kim Kasch		9779 Bellview Ave.	Apple Valley	CA	92308
Kim Summers, Assistant to City Manager	City of Hesperia	9700 7th Avenue	Hesperia	CA	92345
Kimberley Delfino California Program Director	Defenders of Wildlife	1303 J Street, Suite 270	Sacramento	CA	95814
Kris Reily, Editor	The Leader	PO Box 299	Lucerne Valley	CA	92356
Krishna Murthy		19885 Sunset Lane	Apple Valley	CA	92308
Larry Alf, Board Members	Daggett Community Service District	P.O. Box 308	Daggett	CA	92327
Larry Cusack, Councilman	Town of Apple Valley	14955 Dale Evans Parkway	Apple Valley	CA	92307
Larry Menard, Asst. Chief	Daggett Fire Dept.	36223 Nashville Rd.	Newberry Springs	CA	92365
Larry Whalon, Deputy Supt	Mohave National Preserve National Parks Service	2701 Barstow Rd.	Barstow	CA	92311
Laura Crane, Mojave Desert Project Director	The Nature Conservancy	58320 Santa Barbara Dr.	Yucca Valley	CA	82294
Laura Cunningham	Basin & Range Watch	P.O. Box 153	Baker	CA	92309
Leonard Holland		10627 Pinon Ave	Hesperia,	CA	92345
Leslie Lloyd		Box 57	Daggett	CA	92327
Linda & Ernie Gommel	Lucerne Valley Market and Hardware	PO Box 749	Lucerne Valley	CA	92356
Linda Ortero, Council Member and Dir	Ahamakav Cultural Society Ft. Mohave Indian Tribe	500 Merriman Ave.	Needles	CA	92363
Linda Otero, Director	AhaMaKav Cultural Society, Fort Mojave Indian	P.O. Box 5990	Mohave Valley	AZ	86440
Liz Maulk, Community Relations Manager	Calico Ghost Town	P.O. Box 638	Yermo	CA	92398
Lori Soteris		930 Montecito Dr.	San Gabriel	CA	91776
Lorraine Cross		P.O. Box 497	Lucerne Valley	CA	92356
Lorraine Wilson		29199 Suncrest Ln.	Lucerne Valley	CA	92356
Lorrie LaCasse		P.O. Box 720004	Pinon Hill	CA	92372
Louis Duane		18953 Danbury Ave	Hesperia	CA	92345
Louis K		37245 Squarburgh Rd	Lucerne Valley	CA	92356
Loulena Miles	California Unions for Reliable Energy (CURE)	601 Gateway Boulevard, Ste. 1000	South San Francisco	CA	94080
Lynn Buehler	Oak Hills MAC	11086 Geemies Tr.	Hesperia	CA	92345
Mac Ray		PO Box 708	Lucerne Valley	CA	92356
Manuel Cuevas		P.O. Box 523	Alviso	CA	95002
Marc Jackson, Board Members	Silver Valley Unified School District	35320 Daggett-Yermo Road	Yermo	CA	92398
Marco Ramirez		16164 Grevillea St.	Hesperia	CA	92345
Marine Corp Logistics Base-Nebo		P.O. Box 110100	Barstow	CA	92311
Mark Gail Eagleton	Summit Valley Management Co.	13689 Highway 138, Box 6J	Summit Valley	CA	92345
Mark Krig		10725 Estrella	Apple Valley	CA	92308
Mark McKinney, Superintendent	Hesperia Unified School District	15576 Main Street	Hesperia	CA	92345
Mark Riddle		16646 Meridian Rd.	Lucerne Valley	CA	92356
Mark Staggs	Daggett CSD Director	34887 National Trails Hwy	Daggett	CA	92327
Marlana Brown, Community Analyst	MAGTFC, MCAGCC	PO Box 788101-8105	Twentynine Palms	CA	92278
Marybeth Gentry		28801 Rd. P	Dolores	CA	81323

**Coolwater-Lugo Transmission Project
Interested Party Mailing List for Notice of Amended Application for CPCN**

First Line	Second Line	MAILING ADDRESS	MAILING CITY	STATE	ZIP
Matt Sponagle		9475 Mesa Vista	Apple Valley	CA	92308
Matthew Little Elk Wells	Wolf Mountain Sanctuary	PO Box 385	Lucerne Valley	CA	92356
Max & Seth McNeely		8351 Buena Vista	Lucerne Valley	CA	92356
Merrill Gracey, Councilman	City of Barstow	220 E Mountain View St., Suite A	Barstow	CA	92311
Michael Connor	Desert Tortoise Council	P.O. Box 3273	Beaumont	CA	92223
Michael Contreras, Cultural Heritage Prog.	Morongo Band of Mission Indians	12700 Pumarra Road	Banning	CA	92220
Michael Grant, Owner	Michael Grant Const	15581 Prodvet Ln C-16	Huntington Beach	CA	92649
Miguel Gaeta		9366 Joshua Ave.	Lucerne Valley	CA	92356
Mike Leonard, Council Member	City of Hesperia	9700 Seventh Avenue	Hesperia	CA	92345
Mike Stevens, Director, Division	Mojave Water Agency	22450 Headquarters Drive	Apple Valley	CA	92307
Mindy Ayon		7496 Alston Ave.	Hesperia	CA	92345
Mitchell Trageton, Senior VP of Architecture	Marnell Companies/Xpress West	222 Via Marnell Way	Las Vegas	CA	89119
Mitsubishi Cement		151 Cassia Way	Henderson	CA	89014
Mojave Water Agency		22450 Headquarters Drive	Apple Valley	CA	92307
Nance Weres		8810 CAV	Hesperia	CA	92345
Nancy Karl, Executive Director	Mojave Desert Land Trust	6393 Sunset Road	Joshua Tree	CA	92252
Nancy Karl, Executive Director	Mojave Desert Land Trust	61732 Twentynine Palms Hwy.	Joshua Tree	CA	92252
Neville & Tamara Slade		1987 Calico Ave	Apple Valley	CA	92308
Neville & Tamara Slade		21795 Viento Ave	Apple Valley	CA	92308
Nickie Biddle		6367 Arrowhead Lake	Hesperia	CA	92345
Nora McDowell, Cultural Resources Coordinator	Fort Mojave Indian Tribe	500 Merriman Ave	Needles	CA	92363
Norma Benson		PO Box 407422	Apple Valley	CA	92308
Norman & Rosemarie Davis		40200 107th St. W.	Leona Valley	CA	93551
Owen Myers		Estrada Ave.	Lucerne Valley	CA	92365
Pam Cupp	TOAV	14955 Dale Evans	Apple Valley	CA	92307
Pam Eaton	The Wilderness Society	1660 Wynkoop Street, Suite 850	Denver	CO	80202
Pamela Cupp, Associate Planner	Town of Apple Valley	14955 Dale Evans Parkway	Apple Valley	CA	92307
Pat Flanagan, Resource Advocate	Mojave Desert Land Trust	6393 Sunset Road	Joshua Tree	CA	92252
Pat Jacobs		229 N. Papago Rd	Apple Valley	CA	92307
Patricia Duwel		22716 Rancho St	Apple Valley	CA	92308
Patricia Hedges		21816 Ocotillo Way	Apple Valley	CA	92308
Patrick Brown, Permitting Manager	Soitec Solar Inc.	16550 Via Esprillo San Diego	San Diego	CA	92127
Patti Riddle		PO Box 682	Lucerne Valley	CA	92356
Patti Riddle, NORTH LV RESIDENT		16646 MEADLOU RD	Hesperia	CA	92344
Paul & Paula Kelly		5252 Pendleton St.	San Diego	CA	92109
Paul (Tony) Malone		36140 Olive St.	Lucerne Valley	CA	92356
Paul Bosacki, Council Member	City of Hesperia	9700 Seventh Avenue	Hesperia	CA	92345

**Coolwater-Lugo Transmission Project
Interested Party Mailing List for Notice of Amended Application for CPCN**

First Line	Second Line	MAILING ADDRESS	MAILING CITY	STATE	ZIP
Paul L.		12540 ROCKINGHORSE ST	Apple Valley	CA	92392
Paul T Jacobs		22911 Papago Rd.	Apple Valley	CA	92307
Paul Vitrano, General Counsel	Motorcycle Industry Council	2 Jenner Street, Suite 150	Irvine	CA	92618
Pauline Durheim		24777 Las Piedras	Apple Valley	CA	92308
Peter Johnson, Senior Project Manager	SunCal Companies (Inland Empire Div.)	2392 Morse Avenue	Irvine	CA	92614
Peter Jorris, Executive Director	San Bernardino Mountains Land Trust	P.O. Box 490	Lake Arrowhead	CA	92352
Phil & Pam Hill		12978 White Haven	Oak Hills	CA	92344
Philip Klasky, Northern Director	Morongo Basin Conservation Assoc. ATTN: COW	P.O. Box 218	Twentynine Palms	CA	92277
R. Otwell		PO Box 201	Lucerne Valley	CA	92356
R.L. Berkman		P.O. Box 368	Newberry Springs	CA	92365
Randy Coleman	Altec Engineering	19531 Hwy 18	Apple Valley	CA	92307
Ray Gonzalez, Senior Governmental Region Manager	Pacific Gas & Electric	22999 Community Bl.	Hinkley	CA	92347
RC Price, JOINT POLE Coordinator	HW INC	1645 BROWN AVE.	Riverside	CA	92509
Rex Moen, Field Representative	Senator Roy Ashburn	5001 California Avenue #105	Bakersfield	CA	93309
Reynaldo Carlos	Silver Valley Sentinel	3207 Andrita St. #2	Los Angeles	CA	90065
Ria Vassuer, Editor		43074 Summerset	Newberry Springs	CA	92365
Richard an Belgka		36333 Palm St.	Lucerne Valley	CA	92356
Richard Chrystie, Treasurer	Victor Valley RC Flyers, Inc	10935 E Street	Hesperia	CA	92345
Richard Chrystie, Treasurer	Victor Valley RC Flyers, Inc.	P.O. Box 402271	Hesperia	CA	92340
Richard Harpole, Councilman	City of Barstow	220 E Mountain View St., Suite A	Barstow	CA	92311
Richard Moser	Daggett Fire Dept	P.O. Box 13	Daggett	CA	92327
Richard Selby, Land Use Committee Chair	Lucerne Valley Municipal Advisory Council c/o Lucerne Valley Community Center	P.O. Box 459	Lucerne Valley	CA	92356
Richard Selby, VP	LVEDA/LVMAC	PO Box 941	Lucerne Valley	CA	92356
Rick & Carol Pearson		17101 Danbury	Hesperia	CA	92345
Rick & Julie Lubbe		10461 Milpas Dr	Apple Valley	CA	92308
Rick & Julie Lubbe		10462 Milpas Dr	Apple Valley	CA	92308
Rick Roelle, Councilman	Town of Apple Valley	14955 Dale Evans Parkway	Apple Valley	CA	92307
Rob Kasch		9779 Belview Ave.	Apple Valley	CA	92308
Rob Young		9283 Bowen Ranch Rd.	Apple Valley	CA	92308
Robert L. Berkman		P. O. Box 368	Newberry Springs	CA	92365-0368
Robert N. Ott., General Manager	Coolwater Generation Station	P.O Box 337	Daggett	CA	92327
Robert Royalty, President/Director	Newberry Community Service District	P.O. Box 206	Newberry Springs	CA	92365
Robert Sparks	Regional Transmission Migr - CAISO	250 Outcropping Way	Folsom	CA	95630

**Coolwater-Lugo Transmission Project
Interested Party Mailing List for Notice of Amended Application for CPCN**

First Line	Second Line	MAILING ADDRESS	MAILING CITY	STATE	ZIP
Robert Whipple	Daggett CSD	PO Box 52 Daggett RD	Daggett	CA	92327
Rod Yahнке, Management Analyst	City of Hesperia	9700 7th Avenue	Hesperia,	CA	92345
Rodney Woodard, Representative	Silver Valley Unified School District	35320 Daggett-Yermo Road	Yermo	CA	92398
Roger Peterson	More Racing	7979 Sky High Ln	Lucerne Valley	CA	92356
Ron Baker, Vol. Organizer	Mojave Off-Road Racing Enthusiast	22246 Skyline	Apple Valley	CA	92308
Ron Matthews, Race Director	City of Barstow	14475 Navajo Rd.	Apple Valley	CA	92307
Ron Rector, Economic Development Director	Chamber of Commerce	220 E. Mountain View Street, #A	Barstow	CA	92311
Rose Kemp		35475 National Trails Hwy	Daggett	CA	92327
Route 66 Preservation Foundation		P.O. Box 290066	Phelan	CA	92329-0066
Russ Blewett, Council Member	City of Hesperia	9700 Seventh Avenue	Hesperia	CA	92345
Ruth Rieman		1188 Tahoe Ave.	Yucca Valley	CA	92284
Ryan Sorola		8161 Mono Dr.	Hesperia	CA	92345
Sandra Aguirre		11800 Vista Verde St.	Victorville	CA	92392
Sandra Brittan, Board Member	Newberry Springs Chamber of Commerce	P.O. Box 116	Newberry Springs	CA	92365
Sarah Friedman	Sierra Club	714 West Olympic Blvd	Los Angeles	CA	90015
Scott Frier		13911 Park Ave., Suite #206	Victorville	CA	92392
Scott Nassif, Councilman	Town of Apple Valley	14955 Dale Evans Parkway	Apple Valley	CA	92307
Scott Priestler, Director of Development Services	City of Hesperia	9700 7th Avenue	Hesperia,	CA	92345
Seth Shteir	National Parks Conservation Association	61325 29 Palms Highway, Suite B	Joshua Tree	CA	92252
Sharon Faust		14185 Japatul Rd.	Apple Valley	CA	92307
Sharon Henderson		PO Box 1216	Lucerne Valley	CA	92356
Sharon Ravenstein	Lucerne Valley Senior Center	29595 Cove Rd.	Lucerne Valley	CA	92356
Shelton Douthit, President	Shelton Douthit Consulting	18829 Keyes Drive	Banning	CA	92220
Sherri Brown		9975 El Sereno Ave.	Lucerne Valley	CA	92356
Sid Silliman, Conservation Chair	The Sierra Club (Los Serranos Group)	1225 Adriana Way	Upland	CA	91784
Sidney Silliman, Chair, Ecosystems Advisory Committee	Desert Tortoise Council	1225 Adriana Way	Upland	CA	91784
Sidney Silliman, Director	Desert Tortoise Council	P.O. Box 1568	Ridgecrest	CA	93556
Slash X Café		28040 Barstow Rd/Hwy-247	Barstow	CA	92312
Sonja Pardue		19885 Happy Valley Rd	Apple Valley	CA	92308
Stephanie Dashiell	Defenders of Wildlife	PO Box 2131	Joshua Tree	CA	92252
Stephanie Dubois, Superintendent	Mohave National Preserve & National Parks Service	2701 Barstow Rd.	Barstow	CA	92311
Steve Lewis		16596 Tao Rd.	Apple Valley	CA	92307
Steve Strohman		P.O. Box 1899	Apple Valley	CA	92307
Steve Strohman		PO Box 1899	Hesperia	CA	92345

**Coolwater-Lugo Transmission Project
Interested Party Mailing List for Notice of Amended Application for CPCN**

First Line	Second Line	MAILING ADDRESS	MAILING CITY	STATE	ZIP
Steve Stronman		PO Box 1899	Apple Valley	CA	92308
Steven & Loraine Barnes		23922 Ashland	Apple Valley	CA	92308
Steven Miller, Assistant Fire Chief	Newberry Springs Fire Department	PO Box 206	Newberry Springs	CA	2365-0206
Sue Hernandez		20130 Happy Valley Rd.	Apple Valley	CA	92308
Susan Levine, Board Members	Barstow Unified School District	551 S. Avenue H	Barstow	CA	92311
Syd Uskoski		P.O. Box 2124	Apple Valley	CA	92307
Tain Soreboe		3902-14 Vista Campana N.	Oceanside	CA	92057
TD Rishell		30615 Sapphire Rd.	Lucerne Valley	CA	92356
Teri Buhrow, Owner	Nevada Biological Consulting	5826 S. Highway 95	Fort Mahave	CA	86426
Terri Greeson	Daggett CSD	35258 Mojave Rd.	Daggett	CA	92327
Terry Kostak, President	Oak Hills Property Association	6566 Caliente, #F	Oak Hills	CA	92344
The Wilderness Society	Central Rockies Regional Office	1660 Wynkoop St Ste 850	Denver	CA	80202
Thurston Smith, Council Member	City of Hesperia	9700 Seventh Avenue	Hesperia,	CA	92345
Tim Donnelly, Assembly Member	California State Assembly - 59th District	540 W. Baseline Road, #16	Claremont	CA	91711
Tim McDonough		1823 E. Larkwood St.	West Covina	CA	91791
Tim Reardon	MCR Companies	5112 North 40th Street, Ste 103	Phoenix	CA	85018
Tim Saenz, Councilman	City of Barstow	220 E Mountain View St., Suite A	Barstow	CA	92311
Tim Silva, Councilman	City of Barstow	220 E Mountain View St., Suite A	Barstow	CA	92311
Tim Williams Chairperson	Fort Mojave Indian Tribe	500 Merriman Ave	Needles	CA	92363
Tom Egan, Senior Ecologist	AMEC Earth & Environmental	3120 Chicago Ave., Suite 110	Riverside	CA	92507
Tony Malone, Chairperson	Lucerne Valley Municipal Advisory Council c/o Lucerne Valley Community Center	P.O. Box 459	Lucerne Valley	CA	92356
Tony Wardell, Asst. Superintendent of Business	Barstow Unified School District	551 S. Avenue H	Barstow	CA	92311
Tonya Littlewolf	WMS	PO Box 385	Lucerne Valley	CA	92356
Ulis E. Miller		1666 Kathy St	Emmett	CA	83617
V. Soto		P.O. Box 1107	Yermo	CA	92398
Victor Valley Wastewater	Reclamation Authority	15776 Main Street, #3	Hesperia	CA	92345
Viola Basuto, Barstow City Commissioner	City of Barstow	300 Francis Barstow	Barstow	CA	92311
Violette Roberts, Community Relations Manager	Mojave Air Quality Management District	14306 Park Avenue	Victorville	CA	92392
Warren Nobles		17530 El Cajon Dr.	Hesperia	CA	92345
Wayne Snively	NCSD	47323 Autmn Leaf Road	Newberry Springs	CA	92365
WEA		P.O. Box 5000	El Monte	CA	91734
Will Henderson, Public Works	City of Barstow	220 E Mountain View	Barstow	CA	92311
William		PO Box 121	Lucerne Valley	CA	92356
William Hensley, District Manager	Southwest Gas Corporation	751 East Main Street	Barstow	CA	92311
William Roger Davis		6700 Cottage Hill Rd., #C-1	Mobile	CA	36695

Coolwater-Lugo Transmission Project
Interested Party Mailing List for Notice of Amended Application for CPCN

First Line	Second Line	MAILING ADDRESS	MAILING CITY	STATE	ZIP
Yvonne Woytovich, Executive Director	Hesperia Chamber of Commerce	16816-D Main Street	Hesperia	CA	92345
Z Kulras		7261 ALSTO N	HESPERIA	CA	92345
Zig Kubiak		7621 Alston Ave.	Hesperia	CA	92345
Patrick Townsend		15230 Palmdale St	Hesperia	CA	92345

**Coolwater-Lugo Transmission Project
Ownership Mailing List for Notice of Amended Application for CPCN**

APN	MAILING ADDRESS	MAILING CITY	STATE	ZIP	SITUS ADDRESS	SITUS CITY/STATE/ZIP	SITUS COUNTY
0417-233-01	5625 CRESCENT PARK W	PLAYA VISTA	CA	90094	N/AVAIL	N/AVAIL, CA, 92311	San Bernardino
0417-471-10	PO BOX 51111	LOS ANGELES	CA	90051	N/AVAIL	N/AVAIL, CA, 92311	San Bernardino
0419-211-21	14141 SACRAMENTO ST	FONTANA	CA	92336	N/AVAIL	BARSTOW, CA, 92311	San Bernardino
0417-052-05	N/AVAIL	N/AVAIL	N/AVAIL	N/AVAIL	N/AVAIL	N/AVAIL, CA, N/AVAIL	San Bernardino
0417-441-02	PO BOX 1510	LA MIRADA	CA	90637	N/AVAIL	N/AVAIL, CA, 92311	San Bernardino
0417-071-07	N/AVAIL	N/AVAIL	N/AVAIL	N/AVAIL	N/AVAIL	BARSTOW, CA, 92311	San Bernardino
0417-422-15	PO BOX 51111	LOS ANGELES	CA	90051	N/AVAIL	N/AVAIL, CA, 92311	San Bernardino
0419-211-19	PO BOX 51111	LOS ANGELES	CA	90051	N/AVAIL	BARSTOW, CA, 92311	San Bernardino
0418-051-27	PO BOX 51111	LOS ANGELES	CA	90051	N/AVAIL	BARSTOW, CA, 92311	San Bernardino
0419-211-10	504 S BROOKHURST ST	ANAHEIM	CA	92804	N/AVAIL	BARSTOW, CA, 92311	San Bernardino
0418-031-09	PO BOX 51111	LOS ANGELES	CA	90051	N/AVAIL	N/AVAIL, CA, 92311	San Bernardino
0418-051-24	PO BOX 51111	LOS ANGELES	CA	90051	N/AVAIL	BARSTOW, CA, 92311	San Bernardino
0419-201-24	PO BOX 51111	LOS ANGELES	CA	90051	N/AVAIL	N/AVAIL, CA, 92311	San Bernardino
0417-441-18	PO BOX 51111	LOS ANGELES	CA	90051	N/AVAIL	N/AVAIL, CA, 92311	San Bernardino
0416-021-12	PO BOX 51111	LOS ANGELES	CA	90051	N/AVAIL	N/AVAIL, CA, N/AVAIL	San Bernardino
0417-234-01	PO BOX 51111	LOS ANGELES	CA	90051	N/AVAIL	N/AVAIL, CA, 92311	San Bernardino
0417-441-06	PO BOX 1510	LA MIRADA	CA	90637	N/AVAIL	N/AVAIL, CA, 92311	San Bernardino
0416-011-42	526 W ROSSLYNN AVE	FULLERTON	CA	92832	N/AVAIL	N/AVAIL, CA, N/AVAIL	San Bernardino
0417-461-03	PO BOX 6032	SAN CLEMENTE	CA	92674	N/AVAIL	N/AVAIL, CA, 92311	San Bernardino
0417-571-50	PO BOX 51111	LOS ANGELES	CA	90051	N/AVAIL	N/AVAIL, CA, 92311	San Bernardino
0416-011-39	19885 SUNSET LN	APPLE VALLEY	CA	92308	N/AVAIL	N/AVAIL, CA, N/AVAIL	San Bernardino
0417-233-11	PO BOX 1444	GILBERT	AZ	85299	N/AVAIL	N/AVAIL, CA, 92311	San Bernardino
0416-011-40	PO BOX 888	LYNDEN	WA	98264	N/AVAIL	N/AVAIL, CA, N/AVAIL	San Bernardino
0418-051-23	14394 DALTON CT	VICTORVILLE	CA	92394	N/AVAIL	BARSTOW, CA, 92311	San Bernardino
0417-471-08	PO BOX 51111	LOS ANGELES	CA	90051	N/AVAIL	N/AVAIL, CA, 92311	San Bernardino
0417-052-04	N/AVAIL	N/AVAIL	N/AVAIL	N/AVAIL	N/AVAIL	N/AVAIL, CA, N/AVAIL	San Bernardino
0418-051-26	9608 VAN NUYS BLVD	PANORAMA CITY	CA	91402	N/AVAIL	BARSTOW, CA, 92311	San Bernardino
0417-131-45	PO BOX 1405	APPLE VALLEY	CA	92307	N/AVAIL	BARSTOW, CA, 92311	San Bernardino
0417-472-05	5051 BIANCO CIR	FAIRFIELD	CA	94534	N/AVAIL	N/AVAIL, CA, 92311	San Bernardino
0417-571-59	PO BOX 51111	LOS ANGELES	CA	90051	N/AVAIL	N/AVAIL, CA, 92311	San Bernardino
0417-571-54	450 E 246TH PL	CARSON	CA	90745	N/AVAIL	N/AVAIL, CA, 92311	San Bernardino
0417-571-48	15575 MANZANITA ST	HESPERIA	CA	92345	N/AVAIL	N/AVAIL, CA, 92311	San Bernardino
0417-461-01	5180 E 28TH ST	LONG BEACH	CA	90815	N/AVAIL	N/AVAIL, CA, 92311	San Bernardino
0418-051-22	6008 E LA PAZ WAY	ANAHEIM	CA	92807	N/AVAIL	BARSTOW, CA, 92311	San Bernardino
0417-452-05	12412 NE 1ST CT	NORTH MIAMI	FL	33161	N/AVAIL	N/AVAIL, CA, 92311	San Bernardino
0417-461-02	23201 MILL CREEK DR	LAGUNA HILLS	CA	92653	N/AVAIL	N/AVAIL, CA, 92311	San Bernardino
0417-441-07	165 CHARLESTON DR	NEW LENOX	IL	60451	N/AVAIL	N/AVAIL, CA, 92311	San Bernardino
0417-423-03	12796 TEHAMA CIR	RIVERSIDE	CA	92503	N/AVAIL	N/AVAIL, CA, 92311	San Bernardino

**Coolwater-Lugo Transmission Project
Ownership Mailing List for Notice of Amended Application for CPCN**

APN	MAILING ADDRESS	MAILING CITY	STATE	ZIP	SITUS ADDRESS	SITUS CITY/STATE/ZIP	SITUS COUNTY
0417-223-01	301 THELMA DR	CASPER	WY	82609	N/AVAIL	N/AVAIL, CA, 92311	San Bernardino
0417-433-07	PO BOX 51111	LOS ANGELES	CA	90051	N/AVAIL	N/AVAIL, CA, 92311	San Bernardino
0417-131-44	PO BOX 51111	LOS ANGELES	CA	90051	N/AVAIL	BARSTOW, CA, 92311	San Bernardino
0416-011-36	PO BOX 51111	LOS ANGELES	CA	90051	N/AVAIL	N/AVAIL, CA, N/AVAIL	San Bernardino
0417-222-09	PO BOX 51111	LOS ANGELES	CA	90051	N/AVAIL	N/AVAIL, CA, 92311	San Bernardino
0419-211-27	12095 BRIGHTON RIV	FOUNTAIN VALLEY	CA	92708	N/AVAIL	BARSTOW, CA, 92311	San Bernardino
0417-452-03	PO BOX 1510	LA MIRADA	CA	90637	N/AVAIL	N/AVAIL, CA, 92311	San Bernardino
0417-443-05	2520 DUKE PL	COSTA MESA	CA	92626	N/AVAIL	N/AVAIL, CA, 92311	San Bernardino
0417-422-19	PO BOX 51111	LOS ANGELES	CA	90051	N/AVAIL	N/AVAIL, CA, 92311	San Bernardino
0417-443-07	9621 S 219TH PL	KENT	WA	98031	N/AVAIL	N/AVAIL, CA, 92311	San Bernardino
0417-223-18	626 BOXCOVE PL	DIAMOND BAR	CA	91765	N/AVAIL	N/AVAIL, CA, 92311	San Bernardino
0419-211-24	18 E LEMON AVE	ARCADIA	CA	91006	N/AVAIL	BARSTOW, CA, 92311	San Bernardino
0417-451-02	PO BOX 1510	LA MIRADA	CA	90637	N/AVAIL	N/AVAIL, CA, 92311	San Bernardino
0417-422-13	PO BOX 51111	LOS ANGELES	CA	90051	N/AVAIL	N/AVAIL, CA, 92311	San Bernardino
0417-571-57	PO BOX 51111	LOS ANGELES	CA	90051	N/AVAIL	N/AVAIL, CA, 92311	San Bernardino
0417-451-24	PO BOX BOS	LOS ANGELES	CA	90051	N/AVAIL	N/AVAIL, CA, 92311	San Bernardino
0417-571-47	17073 E BROOKPORT ST	COVINA	CA	91722	N/AVAIL	N/AVAIL, CA, 92311	San Bernardino
0418-051-06	621 AUGUSTINA PL	CHULA VISTA	CA	91910	N/AVAIL	BARSTOW, CA, 92311	San Bernardino
0417-441-04	7019 GUNZAN ST	SAN DIEGO	CA	92139	N/AVAIL	N/AVAIL, CA, 92311	San Bernardino
0417-441-14	PO BOX 51111	LOS ANGELES	CA	90051	N/AVAIL	N/AVAIL, CA, 92311	San Bernardino
0417-571-46	PO BOX 51111	LOS ANGELES	CA	90051	N/AVAIL	N/AVAIL, CA, 92311	San Bernardino
0417-571-51	15900 KENNEDY RD	LOS GATOS	CA	95032	N/AVAIL	N/AVAIL, CA, 92311	San Bernardino
0417-422-17	PO BOX 51111	LOS ANGELES	CA	90051	N/AVAIL	N/AVAIL, CA, 92311	San Bernardino
0416-041-23	N/AVAIL	N/AVAIL	N/AVAIL	N/AVAIL	N/AVAIL	DAGGETT, CA, 92327	San Bernardino
0418-031-01	N/AVAIL	N/AVAIL	N/AVAIL	N/AVAIL	N/AVAIL	N/AVAIL, CA, 92311	San Bernardino
0416-011-33	PO BOX 51111	LOS ANGELES	CA	90051	N/AVAIL	N/AVAIL, CA, N/AVAIL	San Bernardino
0416-021-15	PO BOX 51111	LOS ANGELES	CA	90051	N/AVAIL	N/AVAIL, CA, N/AVAIL	San Bernardino
0416-021-08	N/AVAIL	N/AVAIL	N/AVAIL	N/AVAIL	N/AVAIL	N/AVAIL, CA, N/AVAIL	San Bernardino
0417-452-06	10821 KEENAN PL	STANTON	CA	90680	N/AVAIL	N/AVAIL, CA, 92311	San Bernardino
0417-423-02	PO BOX 1510	LA MIRADA	CA	90637	N/AVAIL	N/AVAIL, CA, 92311	San Bernardino
0416-021-14	19100 ALAMANOR CT	WALNUT	CA	91789	N/AVAIL	N/AVAIL, CA, N/AVAIL	San Bernardino
0417-221-01	13743 VENTURA BLVD	SHERMAN OAKS	CA	91423	N/AVAIL	N/AVAIL, CA, 92311	San Bernardino
0416-021-21	980 S THOMPSON RD	LAFAYETTE	CA	94549	N/AVAIL	N/AVAIL, CA, N/AVAIL	San Bernardino
0417-472-08	18603 HOLMES AVENUE	CERRITOS	CA	90703	N/AVAIL	N/AVAIL, CA, 92311	San Bernardino
0417-222-04	PO BOX 51111	LOS ANGELES	CA	90051	N/AVAIL	N/AVAIL, CA, 92311	San Bernardino
0417-232-01	5772 CALLE CASAS BONITAS	SAN DIEGO	CA	92139	N/AVAIL	N/AVAIL, CA, 92311	San Bernardino
0417-232-07	1320 W 15TH ST	LONG BEACH	CA	90813	N/AVAIL	N/AVAIL, CA, 92311	San Bernardino
0417-222-03	PO BOX 51111	LOS ANGELES	CA	90051	N/AVAIL	N/AVAIL, CA, 92311	San Bernardino

**Coolwater-Lugo Transmission Project
Ownership Mailing List for Notice of Amended Application for CPCN**

APN	MAILING ADDRESS	MAILING CITY	STATE	ZIP	SITUS ADDRESS	SITUS CITY/STATE/ZIP	SITUS COUNTY
0417-441-22	PO BOX 51111	LOS ANGELES	CA	90051	N/AVAIL	N/AVAIL, CA, 92311	San Bernardino
0419-211-06	1125 LEONARD AVE	PASADENA	CA	91107	N/AVAIL	BARSTOW, CA, 92311	San Bernardino
0417-071-06	N/AVAIL	N/AVAIL	N/AVAIL	N/AVAIL	N/AVAIL	BARSTOW, CA, 92311	San Bernardino
0417-441-16	PO BOX 51111	LOS ANGELES	CA	90051	N/AVAIL	N/AVAIL, CA, 92311	San Bernardino
0416-041-22	N/AVAIL	N/AVAIL	N/AVAIL	N/AVAIL	N/AVAIL	DAGGETT, CA, 92327	San Bernardino
0417-441-20	PO BOX 51111	LOS ANGELES	CA	90051	N/AVAIL	N/AVAIL, CA, 92311	San Bernardino
0416-011-16	N/AVAIL	N/AVAIL	N/AVAIL	N/AVAIL	N/AVAIL	N/AVAIL, CA, N/AVAIL	San Bernardino
0419-211-28	PO BOX 51111	LOS ANGELES	CA	90051	N/AVAIL	BARSTOW, CA, 92311	San Bernardino
0417-221-14	2108 ADOBE AVE	CORONA	CA	92882	N/AVAIL	N/AVAIL, CA, 92311	San Bernardino
0417-234-03	PO BOX 51111	LOS ANGELES	CA	90051	N/AVAIL	N/AVAIL, CA, 92311	San Bernardino
0417-221-15	955 SUNRISE ST	HEMET	CA	92545	N/AVAIL	N/AVAIL, CA, 92311	San Bernardino
0417-451-26	PO BOX 51111	LOS ANGELES	CA	90051	N/AVAIL	N/AVAIL, CA, 92311	San Bernardino
0417-571-53	PO BOX 1220	LAKEVIEW	CA	92567	N/AVAIL	N/AVAIL, CA, 92311	San Bernardino
0416-021-17	3340 DEL SOL BLVD	SAN DIEGO	CA	92154	N/AVAIL	N/AVAIL, CA, N/AVAIL	San Bernardino
0417-222-07	23 SANDSTONE DR	CONWAY	AR	72034	N/AVAIL	N/AVAIL, CA, 92311	San Bernardino
0417-452-07	11650 187TH ST	ARTESIA	CA	90701	N/AVAIL	N/AVAIL, CA, 92311	San Bernardino
0417-422-21	PO BOX 51111	LOS ANGELES	CA	90051	N/AVAIL	N/AVAIL, CA, 92311	San Bernardino
0416-021-11	850 TIERRA ALTA ST	MOSS BEACH	CA	94038	N/AVAIL	N/AVAIL, CA, N/AVAIL	San Bernardino
0418-051-29	3938 LOCUST AVE	LONG BEACH	CA	90807	N/AVAIL	BARSTOW, CA, 92311	San Bernardino
0419-211-30	PO BOX 51111	LOS ANGELES	CA	90051	N/AVAIL	BARSTOW, CA, 92311	San Bernardino
0418-031-12	1 MACARTHUR PL	SANTA ANA	CA	92707	N/AVAIL	N/AVAIL, CA, 92311	San Bernardino
0417-234-02	PO BOX 51111	LOS ANGELES	CA	90051	N/AVAIL	N/AVAIL, CA, 92311	San Bernardino
0417-222-08	PO BOX 51111	LOS ANGELES	CA	90051	N/AVAIL	N/AVAIL, CA, 92311	San Bernardino
0417-452-04	3207 ANDRITA ST	LOS ANGELES	CA	90065	N/AVAIL	N/AVAIL, CA, 92311	San Bernardino
0417-221-02	13743 VENTURA BLVD	SHERMAN OAKS	CA	91423	N/AVAIL	N/AVAIL, CA, 92311	San Bernardino
0417-443-06	PO BOX 1510	LA MIRADA	CA	90637	N/AVAIL	N/AVAIL, CA, 92311	San Bernardino
0417-451-18	PO BOX 51111	LOS ANGELES	CA	90051	N/AVAIL	N/AVAIL, CA, 92311	San Bernardino
0417-222-06	PO BOX 51111	LOS ANGELES	CA	90051	N/AVAIL	N/AVAIL, CA, 92311	San Bernardino
0417-471-04	PO BOX 1510	LA MIRADA	CA	90637	N/AVAIL	N/AVAIL, CA, 92311	San Bernardino
0417-451-22	PO BOX 51111	LOS ANGELES	CA	90051	N/AVAIL	N/AVAIL, CA, 92311	San Bernardino
0416-021-09	N/AVAIL	N/AVAIL	N/AVAIL	N/AVAIL	N/AVAIL	N/AVAIL, CA, N/AVAIL	San Bernardino
0417-441-08	8907 GOTHIC WAY	EVERETT	WA	98208	N/AVAIL	N/AVAIL, CA, 92311	San Bernardino
0417-061-13	N/AVAIL	N/AVAIL	N/AVAIL	N/AVAIL	N/AVAIL	N/AVAIL, CA, N/AVAIL	San Bernardino
0417-071-05	N/AVAIL	N/AVAIL	N/AVAIL	N/AVAIL	N/AVAIL	BARSTOW, CA, 92311	San Bernardino
0417-571-33	PO BOX 51111	LOS ANGELES	CA	90051	N/AVAIL	N/AVAIL, CA, 92311	San Bernardino
0417-451-16	PO BOX 51111	LOS ANGELES	CA	90051	N/AVAIL	N/AVAIL, CA, 92311	San Bernardino
0416-021-19	PO BOX 51111	LOS ANGELES	CA	90051	N/AVAIL	N/AVAIL, CA, N/AVAIL	San Bernardino
0419-211-22	PO BOX 51111	LOS ANGELES	CA	90051	N/AVAIL	BARSTOW, CA, 92311	San Bernardino

**Coolwater-Lugo Transmission Project
Ownership Mailing List for Notice of Amended Application for CPCN**

APN	MAILING ADDRESS	MAILING CITY	STATE	ZIP	SITUS ADDRESS	SITUS CITY/STATE/ZIP	SITUS COUNTY
0417-471-06	PO BOX 1510	LA MIRADA	CA	90637	N/AVAIL	N/AVAIL, CA, 92311	San Bernardino
0417-442-01	5828 HILLSIDE AVE	INDIANAPOLIS	IN	46220	N/AVAIL	N/AVAIL, CA, 92311	San Bernardino
0419-211-26	PO BOX 51111	LOS ANGELES	CA	90051	N/AVAIL	BARSTOW, CA, 92311	San Bernardino
0417-222-05	PO BOX 51111	LOS ANGELES	CA	90051	N/AVAIL	N/AVAIL, CA, 92311	San Bernardino
0417-472-06	116 BRIDLEWOOD CT	VALLEJO	CA	94591	N/AVAIL	N/AVAIL, CA, 92311	San Bernardino
0417-131-05	N/AVAIL	N/AVAIL	N/AVAIL	N/AVAIL	N/AVAIL	BARSTOW, CA, 92311	San Bernardino
0417-472-07	106 DAFFODIL CIR	VALLEJO	CA	94591	N/AVAIL	N/AVAIL, CA, 92311	San Bernardino
0417-471-12	PO BOX 51111	LOS ANGELES	CA	90051	N/AVAIL	N/AVAIL, CA, 92311	San Bernardino
0419-211-08	12609 HICKORY AVE	VICTORVILLE	CA	92395	N/AVAIL	BARSTOW, CA, 92311	San Bernardino
0416-021-07	N/AVAIL	N/AVAIL	N/AVAIL	N/AVAIL	N/AVAIL	N/AVAIL, CA, N/AVAIL	San Bernardino
0417-451-20	PO BOX 51111	LOS ANGELES	CA	90051	N/AVAIL	N/AVAIL, CA, 92311	San Bernardino
0417-571-52	7067 LUCERO DR	FONTANA	CA	92336	N/AVAIL	N/AVAIL, CA, 92311	San Bernardino
0417-451-28	PO BOX 51111	LOS ANGELES	CA	90051	N/AVAIL	N/AVAIL, CA, 92311	San Bernardino
0417-231-01	315 W 38TH ST	KEARNEY	NE	68845	N/AVAIL	N/AVAIL, CA, 92311	San Bernardino
0417-223-19	301 THELIMA DR	CASPER	WY	82609	N/AVAIL	N/AVAIL, CA, 92311	San Bernardino
0417-571-61	6540 LOU PL	GRANITE BAY	CA	95746	N/AVAIL	N/AVAIL, CA, 92311	San Bernardino
0417-441-24	PO BOX 51111	LOS ANGELES	CA	90051	N/AVAIL	N/AVAIL, CA, 92311	San Bernardino
0417-131-01	N/AVAIL	N/AVAIL	N/AVAIL	N/AVAIL	N/AVAIL	BARSTOW, CA, 92311	San Bernardino
0417-461-15	976 BAYCREST LN	HARBOR CITY	CA	90710	N/AVAIL	N/AVAIL, CA, 92311	San Bernardino
0417-571-49	38001 CALCEDONY CT	PALMDALE	CA	93552	N/AVAIL	N/AVAIL, CA, 92311	San Bernardino
0417-234-04	PO BOX 51111	LOS ANGELES	CA	90051	N/AVAIL	N/AVAIL, CA, 92311	San Bernardino
0417-471-03	PO BOX 51111	LOS ANGELES	CA	90051	N/AVAIL	N/AVAIL, CA, 92311	San Bernardino
0419-211-16	PO BOX 51111	LOS ANGELES	CA	90051	N/AVAIL	BARSTOW, CA, 92311	San Bernardino
0418-051-20	189 CLEAR POND CV	AUSTIN	TX	78737	N/AVAIL	BARSTOW, CA, 92311	San Bernardino
0417-423-01	23201 MILL CREEK DR	LAGUNA HILLS	CA	92653	N/AVAIL	N/AVAIL, CA, 92311	San Bernardino
0417-223-02	481 VALLEY CROSSING RD	BREA	CA	92823	1755 CONEJO DR	SAN BERNARDINO, CA, 92404	San Bernardino
0516-272-21	2909 ALDERGROVE CT	FULLERTON	CA	92835	N/AVAIL	DAGGETT, CA, 92327	San Bernardino
0516-271-11	22749 HIGHWAY 18	APPLE VALLEY	CA	92307	N/AVAIL	DAGGETT, CA, 92327	San Bernardino
0516-272-24	PO BOX 3442	BIG BEAR LAKE	CA	92315	36450 SANTA FE ST	DAGGETT, CA, 92327	San Bernardino
0516-282-05	22749 HIGHWAY 18	APPLE VALLEY	CA	92307	N/AVAIL	DAGGETT, CA, 92327	San Bernardino
0357-671-41	N/AVAIL	N/AVAIL	N/AVAIL	N/AVAIL	N/AVAIL	OAK HILLS, CA, 92344	San Bernardino
0357-671-42	N/AVAIL	N/AVAIL	N/AVAIL	N/AVAIL	N/AVAIL	OAK HILLS, CA, 92344	San Bernardino
0464-252-03	3595 INLAND EMPIRE BLVD	ONTARIO	CA	91764	LUCERNE VALLEY CTOFF	LUCERNE VALLEY, CA, 92356	San Bernardino
0464-051-07	4250 EXECUTIVE SQ	LA JOLLA	CA	92037	LUCERNE VALLEY CUTOF	LUCERNE VALLEY, CA, 92356	San Bernardino
0464-253-06	901 SAVANNA LN	CEDAR PARK	TX	78613	N/AVAIL	LUCERNE VALLEY, CA, 92356	San Bernardino
0464-252-04	502 E 5TH ST	DALHART	TX	79022	N/AVAIL	LUCERNE VALLEY, CA, 92356	San Bernardino
0464-253-08	8537 ALEKSANDER CT	SACRAMENTO	CA	95828	20808 LUCERNE VALLEY CUTOFF	LUCERNE VALLEY, CA, 92356	San Bernardino
0418-192-10	147 GOODVIEW CIR	SPRING GROVE	MN	55974	N/AVAIL	N/AVAIL, CA, N/AVAIL	San Bernardino

**Coolwater-Lugo Transmission Project
Ownership Mailing List for Notice of Amended Application for CPCN**

APN	MAILING ADDRESS	MAILING CITY	STATE	ZIP	SITUS ADDRESS	SITUS CITY/STATE/ZIP	SITUS COUNTY
0464-261-53	8651 FOOTHILL BLVD	RANCHO CUCAMONGA	CA	91730	N/AVAIL	LUCERNE VALLEY, CA, 92356	San Bernardino
0418-192-04	16423 MAJELA AVE	VICTORVILLE	CA	92394	N/AVAIL	N/AVAIL, CA, N/AVAIL	San Bernardino
0418-071-03	PO BOX 173859	DENVER	CO	80217	N/AVAIL	N/AVAIL, CA, 92311	San Bernardino
0418-221-16	6510 E SPRING ST	LONG BEACH	CA	90815	28551 LUCERNE VALLEY CUTOFF	BARSTOW, CA, 92311	San Bernardino
0418-192-03	7395 BOCK AVE	STANTON	CA	90680	N/AVAIL	N/AVAIL, CA, N/AVAIL	San Bernardino
0464-253-07	PO BOX 1282	APPLE VALLEY	CA	92307	N/AVAIL	LUCERNE VALLEY, CA, 92356	San Bernardino
0418-192-20	1201 E HIGHLAND AVE	SAN BERNARDINO	CA	92404	N/AVAIL	N/AVAIL, CA, N/AVAIL	San Bernardino
0418-192-06	86 S MAIN ST	PAYSON	UT	84651	N/AVAIL	N/AVAIL, CA, N/AVAIL	San Bernardino
0418-201-03	N/AVAIL	N/AVAIL	N/AVAIL	N/AVAIL	N/AVAIL	N/AVAIL, CA, N/AVAIL	San Bernardino
0464-253-05	968 BLACKBERRY LN	JACKSONVILLE	FL	32259	N/AVAIL	LUCERNE VALLEY, CA, 92356	San Bernardino
0418-031-03	N/AVAIL	N/AVAIL	N/AVAIL	N/AVAIL	N/AVAIL	N/AVAIL, CA, 92311	San Bernardino
0418-192-09	15350 WILLOW ST	HESPERIA	CA	92345	N/AVAIL	N/AVAIL, CA, N/AVAIL	San Bernardino
0464-261-56	18364 SUTTER ST	HESPERIA	CA	92345	N/AVAIL	LUCERNE VALLEY, CA, 92356	San Bernardino
0418-081-26	2690 MURRAY RIDGE RD	SAN DIEGO	CA	92123	N/AVAIL	N/AVAIL, CA, 92311	San Bernardino
0418-192-02	654 30TH ST	RICHMOND	CA	94804	N/AVAIL	N/AVAIL, CA, N/AVAIL	San Bernardino
0418-192-21	13743 VENTURA BLVD	SHERMAN OAKS	CA	91423	N/AVAIL	N/AVAIL, CA, N/AVAIL	San Bernardino
0418-192-22	1125 LAS POSADAS RD	ANGWIN	CA	94508	N/AVAIL	N/AVAIL, CA, N/AVAIL	San Bernardino
0464-301-05	N/AVAIL	N/AVAIL	N/AVAIL	N/AVAIL	N/AVAIL	LUCERNE VALLEY, CA, 92356	San Bernardino
0418-201-01	N/AVAIL	N/AVAIL	N/AVAIL	N/AVAIL	N/AVAIL	N/AVAIL, CA, N/AVAIL	San Bernardino
0418-221-15	6510 E SPRING ST	LONG BEACH	CA	90815	28701 LUCERNE VALLEY RD	BARSTOW, CA, 92311	San Bernardino
0418-081-05	22 TANGLEWOOD DR	POMONA	CA	91766	N/AVAIL	N/AVAIL, CA, 92311	San Bernardino
0418-192-13	86 S MAIN ST	PAYSON	UT	84651	N/AVAIL	N/AVAIL, CA, N/AVAIL	San Bernardino
0418-192-08	18245 RANCHERO RD	HESPERIA	CA	92345	N/AVAIL	N/AVAIL, CA, N/AVAIL	San Bernardino
0464-253-03	1556 FALLING STAR LN	CHINO HILLS	CA	91709	N/AVAIL	LUCERNE VALLEY, CA, 92356	San Bernardino
0418-192-27	2501 BELLEVIEW RD	UPLAND	CA	91784	N/AVAIL	N/AVAIL, CA, N/AVAIL	San Bernardino
0418-192-01	7073 TIPPECANOE AVE	SAN BERNARDINO	CA	92404	N/AVAIL	N/AVAIL, CA, N/AVAIL	San Bernardino
0418-201-02	N/AVAIL	N/AVAIL	N/AVAIL	N/AVAIL	N/AVAIL	N/AVAIL, CA, N/AVAIL	San Bernardino
0418-192-14	86 S MAIN ST	PAYSON	UT	84651	N/AVAIL	N/AVAIL, CA, N/AVAIL	San Bernardino
0418-192-05	86 S MAIN ST	PAYSON	UT	84651	N/AVAIL	N/AVAIL, CA, N/AVAIL	San Bernardino
0418-081-24	4745 CUTLER AVE	BALDWIN PARK	CA	91706	N/AVAIL	N/AVAIL, CA, 92311	San Bernardino
0418-221-14	527 BEGONIA DR	SAN LEANDRO	CA	94578	N/AVAIL	BARSTOW, CA, 92311	San Bernardino
0464-253-04	PO BOX 960	LUCERNE VALLEY	CA	92356	21010 LUCERNE VALLEY CUTOFF	LUCERNE VALLEY, CA, 92356	San Bernardino
0464-252-05	503 MCCAIN DR	MONROE	LA	71203	LUCERNE VALLEY CUTOFF	LUCERNE VALLEY, CA, 92356	San Bernardino
0418-081-03	1958 CHALON CT	NEWBURY PARK	CA	91320	N/AVAIL	N/AVAIL, CA, 92311	San Bernardino
0464-261-29	3595 INLAND EMPIRE BLVD	ONTARIO	CA	91764	LUCERNE VALLEY CTOFF	LUCERNE VALLEY, CA, 92356	San Bernardino
0418-192-16	85 FAIR ST	GUILFORD	CT	6437	N/AVAIL	N/AVAIL, CA, N/AVAIL	San Bernardino
0418-081-04	139 EVERGREEN VILLAGE LN	SAN DIEGO	CA	92102	N/AVAIL	N/AVAIL, CA, 92311	San Bernardino
0418-221-13	3961 RAWHIDE RD	ROCKLIN	CA	95677	N/AVAIL	BARSTOW, CA, 92311	San Bernardino

**Coolwater-Lugo Transmission Project
Ownership Mailing List for Notice of Amended Application for CPCN**

APN	MAILING ADDRESS	MAILING CITY	STATE	ZIP	SITUS ADDRESS	SITUS CITY/STATE/ZIP	SITUS COUNTY
0418-192-19	25861 PASEO DE JUANITA	SAN JUAN CAPISTRANO	CA	92675	N/AVAIL	N/AVAIL, CA, N/AVAIL	San Bernardino
0464-253-02	5425 DE MARCUS BLVD	DUBLIN	CA	94568	20355 LUCERNE VALLEY CUTOFF	LUCERNE VALLEY, CA, 92356	San Bernardino
0418-192-07	1274 ACACIA AVE	SAN BERNARDINO	CA	92405	N/AVAIL	N/AVAIL, CA, N/AVAIL	San Bernardino
0418-081-25	4640 DUNAS LN	TARZANA	CA	91356	N/AVAIL	N/AVAIL, CA, 92311	San Bernardino
0418-081-06	95 WILIKONA PL	WAILUKU	HI	96793	N/AVAIL	N/AVAIL, CA, 92311	San Bernardino
0464-301-01	N/AVAIL	N/AVAIL	N/AVAIL	N/AVAIL	N/AVAIL	LUCERNE VALLEY, CA, 92356	San Bernardino
0453-012-03	PO BOX 7501	TAE	WA	98407	N/AVAIL	LUCERNE VALLEY, CA, 92356	San Bernardino
0453-012-08	101 S RIVERSIDE AVE	RIALTO	CA	92376	N/AVAIL	LUCERNE VALLEY, CA, 92356	San Bernardino
0453-012-14	2062 FOOTHILL BLVD	SANTA ANA	CA	92705	N/AVAIL	LUCERNE VALLEY, CA, 92356	San Bernardino
0453-263-07	512 W LEESIDE ST	GLENDORA	CA	91741	N/AVAIL	LUCERNE VALLEY, CA, 92356	San Bernardino
0453-032-29	7664 APACHE CLIFF ST	LAS VEGAS	NV	89113	N/AVAIL	LUCERNE VALLEY, CA, 92356	San Bernardino
0453-032-28	1645 255TH ST	HARBOR CITY	CA	90710	N/AVAIL	LUCERNE VALLEY, CA, 92356	San Bernardino
0453-032-23	560 E PONY LN	GILBERT	AZ	85295	N/AVAIL	LUCERNE VALLEY, CA, 92356	San Bernardino
0453-041-02	1322 S REDONDO BLVD	LOS ANGELES	CA	90019	N/AVAIL	LUCERNE VALLEY, CA, 92356	San Bernardino
0464-231-15	3749 SARAH ANN DR	FALLBROOK	CA	92028	N/AVAIL	LUCERNE VALLEY, CA, 92356	San Bernardino
0453-041-18	1445 N PEPPER AVE	RIALTO	CA	92376	N/AVAIL	LUCERNE VALLEY, CA, 92356	San Bernardino
0453-041-15	1823 E LARKWOOD ST	WEST COVINA	CA	91791	N/AVAIL	LUCERNE VALLEY, CA, 92356	San Bernardino
0453-012-15	PO BOX 517	APPLE VALLEY	CA	92307	N/AVAIL	N/AVAIL, CA, 92356	San Bernardino
0453-012-17	1115 BEECH HILL AVE	HACIENDA HEIGHTS	CA	91745	N/AVAIL	N/AVAIL, CA, 92356	San Bernardino
0453-032-35	7871 KIRKWOOD CV	OLIVE BRANCH	MS	38654	N/AVAIL	LUCERNE VALLEY, CA, 92356	San Bernardino
0453-041-13	2618 GLEN AVE	ALTADENA	CA	91001	N/AVAIL	LUCERNE VALLEY, CA, 92356	San Bernardino
0453-012-06	20849 SATINWOOD DR	SAUGUS	CA	91350	N/AVAIL	LUCERNE VALLEY, CA, 92356	San Bernardino
0464-301-16	N/AVAIL	N/AVAIL	N/AVAIL	N/AVAIL	N/AVAIL	N/AVAIL, CA, N/AVAIL	San Bernardino
0464-231-14	1225 TARI LN	COLORADO SPRINGS	CO	80921	N/AVAIL	LUCERNE VALLEY, CA, 92356	San Bernardino
0453-041-17	1445 N PEPPER AVE	RIALTO	CA	92376	N/AVAIL	LUCERNE VALLEY, CA, 92356	San Bernardino
0464-231-13	1474 E SAN LUCAS RD	PALM SPRINGS	CA	92264	N/AVAIL	LUCERNE VALLEY, CA, 92356	San Bernardino
0453-032-45	815 CONCORD LN	REDLANDS	CA	92374	N/AVAIL	LUCERNE VALLEY, CA, 92356	San Bernardino
0453-041-01	N/AVAIL	N/AVAIL	N/AVAIL	N/AVAIL	N/AVAIL	LUCERNE VALLEY, CA, 92356	San Bernardino
0453-032-27	320 SOLAR VIEW DR	SAN MARCOS	CA	92069	N/AVAIL	LUCERNE VALLEY, CA, 92356	San Bernardino
0453-032-64	20140 SAHALE RD	APPLE VALLEY	CA	92307	N/AVAIL	LUCERNE VALLEY, CA, 92356	San Bernardino
0464-071-03	N/AVAIL	N/AVAIL	N/AVAIL	N/AVAIL	N/AVAIL	LUCERNE VALLEY, CA, 92356	San Bernardino
0464-231-12	26570 ANGEL WAY	HEMET	CA	92544	N/AVAIL	LUCERNE VALLEY, CA, 92356	San Bernardino
0453-012-05	11830 WILMINGTON WAY	MUKILTEO	WA	98275	N/AVAIL	LUCERNE VALLEY, CA, 92356	San Bernardino
0453-012-10	PO BOX 94938	PASADENA	CA	91109	N/AVAIL	LUCERNE VALLEY, CA, 92356	San Bernardino
0464-241-16	10020 GRIZZLY ST	BAKERSFIELD	CA	93311	N/AVAIL	LUCERNE VALLEY, CA, 92356	San Bernardino
0453-012-04	1812 W MAIN	PUYALLUP	WA	98371	N/AVAIL	LUCERNE VALLEY, CA, 92356	San Bernardino
0464-241-14	1564 W BRANDE AVE	ANAHEIM	CA	92802	N/AVAIL	LUCERNE VALLEY, CA, 92356	San Bernardino
0453-012-02	741 THUNDERBOLT AVE	LAKE HAVASU CITY	AZ	86406	N/AVAIL	LUCERNE VALLEY, CA, 92356	San Bernardino

**Coolwater-Lugo Transmission Project
Ownership Mailing List for Notice of Amended Application for CPCN**

APN	MAILING ADDRESS	MAILING CITY	STATE	ZIP	SITUS ADDRESS	SITUS CITY/STATE/ZIP	SITUS COUNTY
0453-032-37	4616 6TH AVE	LOS ANGELES	CA	90043	N/AVAIL	LUCERNE VALLEY, CA, 92356	San Bernardino
0453-041-14	RT 2 HBOX 115A	HEDGESVILLE	WV	25427	N/AVAIL	LUCERNE VALLEY, CA, 92356	San Bernardino
0453-041-16	1127 WOODSTOCK AVE	TONAWANDA	NY	14150	N/AVAIL	LUCERNE VALLEY, CA, 92356	San Bernardino
0453-041-20	1057 RED GRANITE RD	CHULA VISTA	CA	91913	N/AVAIL	LUCERNE VALLEY, CA, 92356	San Bernardino
0453-012-01	7550 S LAKERIDGE DR	SEATTLE	WA	98178	N/AVAIL	LUCERNE VALLEY, CA, 92356	San Bernardino
0464-241-15	3920 W CANYON DR	SPOKANE	WA	99224	N/AVAIL	LUCERNE VALLEY, CA, 92356	San Bernardino
0464-241-13	1564 W BRANDE AVE	ANAHEIM	CA	92802	N/AVAIL	LUCERNE VALLEY, CA, 92356	San Bernardino
0464-231-11	3595 INLAND EMPIRE BLVD	ONTARIO	CA	91764	N/AVAIL	LUCERNE VALLEY, CA, 92356	San Bernardino
0453-021-07	N/AVAIL	N/AVAIL	N/AVAIL	N/AVAIL	N/AVAIL	LUCERNE VALLEY, CA, 92356	San Bernardino
0453-041-04	77 WILSHIRE AVE	DAILY CITY	CA	94015	N/AVAIL	LUCERNE VALLEY, CA, 92356	San Bernardino
0453-032-33	3749 SARAH ANN DR	FALLBROOK	CA	92028	N/AVAIL	LUCERNE VALLEY, CA, 92356	San Bernardino
0453-032-30	4849 MAGNA CARTA BLVD	GRAND PRAIRIE	TX	75052	N/AVAIL	LUCERNE VALLEY, CA, 92356	San Bernardino
0453-032-38	303 W TOWNLINE ST	CRESTON	IA	50801	N/AVAIL	LUCERNE VALLEY, CA, 92356	San Bernardino
0464-351-03	N/AVAIL	N/AVAIL	N/AVAIL	N/AVAIL	N/AVAIL	N/AVAIL, CA, N/AVAIL	San Bernardino
0453-041-24	8011 SANTA ANITA ST	CORONA	CA	92881	N/AVAIL	LUCERNE VALLEY, CA, 92356	San Bernardino
0453-032-01	N/AVAIL	N/AVAIL	N/AVAIL	N/AVAIL	N/AVAIL	LUCERNE VALLEY, CA, 92356	San Bernardino
0453-041-03	716 S MOHAWK DR	SANTA ANA	CA	92704	N/AVAIL	LUCERNE VALLEY, CA, 92356	San Bernardino
0453-012-12	5330 E HONEYWOOD LN	ANAHEIM	CA	92807	N/AVAIL	LUCERNE VALLEY, CA, 92356	San Bernardino
0435-174-46	N/AVAIL	N/AVAIL	N/AVAIL	N/AVAIL	N/AVAIL	LUCERNE VALLEY, CA, 92356	San Bernardino
0438-072-13	14413 CAMEO AVE	NORWALK	CA	90650	24012 LISBON RD	APPLE VALLEY, CA, 92308	San Bernardino
0438-072-07	N/AVAIL	N/AVAIL	N/AVAIL	N/AVAIL	N/AVAIL	APPLE VALLEY, CA, 92308	San Bernardino
0438-073-41	2409 VANCOUVER AVE	SAN DIEGO	CA	92104	N/AVAIL	APPLE VALLEY, CA, 92307	San Bernardino
0438-072-03	20215 OTTAWA RD	APPLE VALLEY	CA	92308	N/AVAIL	APPLE VALLEY, CA, 92308	San Bernardino
0438-072-65	PO BOX 1647	APPLE VALLEY	CA	92307	N/AVAIL	APPLE VALLEY, CA, 92308	San Bernardino
0438-072-10	PO BOX 32	APPLE VALLEY	CA	92307	N/AVAIL	APPLE VALLEY, CA, 92308	San Bernardino
0438-072-31	8461 TOWN SUMMIT PL NW	SILVERDALE	WA	98383	N/AVAIL	APPLE VALLEY, CA, 92308	San Bernardino
0435-611-38	812 E HAWK	MERIDIAN	ID	83642	N/AVAIL	APPLE VALLEY, CA, 92308	San Bernardino
0438-072-30	15025 PALMDALE RD	VICTORVILLE	CA	92392	N/AVAIL	APPLE VALLEY, CA, 92308	San Bernardino
0438-072-27	PO BOX 1647	APPLE VALLEY	CA	92307	23969 LISBON RD	APPLE VALLEY, CA, 92308	San Bernardino
0438-072-51	17290 JASMINE ST	VICTORVILLE	CA	92395	N/AVAIL	APPLE VALLEY, CA, 92308	San Bernardino
3080-212-24	PO BOX 27936	ANAHEIM	CA	92809	TUSSING RANCH RD	APPLE VALLEY, CA, 92308	San Bernardino
0435-104-22	7425 E STONE CREEK LN	ANAHEIM	CA	92808	LAS FLORES	APPLE VALLEY, CA, 92308	San Bernardino
0405-391-42	4516 30TH ST NW	WASHINGTON	DC	20008	N/AVAIL	HESPERIA, CA, 92345	San Bernardino
0438-072-32	3172 SEA GULL LN	STOCKTON	CA	95219	N/AVAIL	APPLE VALLEY, CA, 92308	San Bernardino
0438-072-50	17290 JASMINE ST	VICTORVILLE	CA	92395	N/AVAIL	APPLE VALLEY, CA, 92308	San Bernardino
0438-072-66	PO BOX 1647	APPLE VALLEY	CA	92307	N/AVAIL	APPLE VALLEY, CA, 92308	San Bernardino
0438-072-49	22586 LIGHTHOUSE DR	CANYON LAKE	CA	92587	N/AVAIL	APPLE VALLEY, CA, 92308	San Bernardino
0397-052-14	7425 E STONE CREEK LN	ANAHEIM	CA	92808	LAS FLORES	HESPERIA, CA, 92345	San Bernardino

**Coolwater-Lugo Transmission Project
Ownership Mailing List for Notice of Amended Application for CPCN**

APN	MAILING ADDRESS	MAILING CITY	STATE	ZIP	SITUS ADDRESS	SITUS CITY/STATE/ZIP	SITUS COUNTY
0432-011-56	24921 MOHR DR	HAYWARD	CA	94545	N/AVAIL	APPLE VALLEY, CA, 92308	San Bernardino
0405-401-25	N/AVAIL	N/AVAIL	N/AVAIL	N/AVAIL	N/AVAIL	HESPERIA, CA, 92345	San Bernardino
0397-023-25	1550 S BLUE RIVER RD	SALEM	IN	47167	LAS FLORES	HESPERIA, CA, 92345	San Bernardino
0433-121-08	9301 CANYON MESA DR	LAS VEGAS	NV	89144	N/AVAIL	APPLE VALLEY, CA, 92308	San Bernardino
0397-082-52	2651 CEDAR AVE	LONG BEACH	CA	90806	N/AVAIL	HESPERIA, CA, 92345	San Bernardino
0405-391-47	N/AVAIL	N/AVAIL	N/AVAIL	N/AVAIL	N/AVAIL	HESPERIA, CA, 92345	San Bernardino
0405-391-35	N/AVAIL	N/AVAIL	N/AVAIL	N/AVAIL	N/AVAIL	HESPERIA, CA, 92345	San Bernardino
0433-081-03	N/AVAIL	N/AVAIL	N/AVAIL	N/AVAIL	N/AVAIL	APPLE VALLEY, CA, 92308	San Bernardino
0397-082-63	N/AVAIL	N/AVAIL	N/AVAIL	N/AVAIL	N/AVAIL	N/AVAIL, CA, 92345	San Bernardino
0397-023-08	55 OAK VALLEY DR	NOVATO	CA	94947	N/AVAIL	HESPERIA, CA, 92345	San Bernardino
0433-041-02	3815 MINNEKAHTA DR	RAPID CITY	SD	57702	BOWEN RANCH RD	APPLE VALLEY, CA, 92308	San Bernardino
0432-011-55	24921 MOHR DR	HAYWARD	CA	94545	N/AVAIL	APPLE VALLEY, CA, 92308	San Bernardino
0435-174-22	PO BOX 800	ROSEMEAD	CA	91770	N/AVAIL	APPLE VALLEY, CA, 92308	San Bernardino
0397-023-13	405 W I ST	ONTARIO	CA	91762	N/AVAIL	HESPERIA, CA, 92345	San Bernardino
0438-073-43	21816 OCOTILLO WAY	APPLE VALLEY	CA	92308	N/AVAIL	APPLE VALLEY, CA, 92307	San Bernardino
0435-174-19	PO BOX 800	ROSEMEAD	CA	91770	N/AVAIL	APPLE VALLEY, CA, 92308	San Bernardino
0397-023-06	55 OAK VALLEY DR	NOVATO	CA	94947	N/AVAIL	HESPERIA, CA, 92345	San Bernardino
0432-071-08	3815 MINNEKAHTA DR	RAPID CITY	SD	57702	N/AVAIL	N/AVAIL, CA, N/AVAIL	San Bernardino
0435-104-33	18102 CATALPA ST	HESPERIA	CA	92345	N/AVAIL	APPLE VALLEY, CA, 92308	San Bernardino
0435-174-18	N/AVAIL	N/AVAIL	N/AVAIL	N/AVAIL	N/AVAIL	APPLE VALLEY, CA, 92308	San Bernardino
0405-401-16	PO BOX 2078	CRESTLINE	CA	92325	14243 SUMMIT VALLEY RD	HESPERIA, CA, 92345	San Bernardino
0397-151-26	N/AVAIL	N/AVAIL	N/AVAIL	N/AVAIL	N/AVAIL	HESPERIA, CA, 92345	San Bernardino
0405-401-35	N/AVAIL	N/AVAIL	N/AVAIL	N/AVAIL	N/AVAIL	HESPERIA, CA, 92345	San Bernardino
0432-071-06	3815 MINNEKAHTA DR	RAPID CITY	SD	57702	N/AVAIL	N/AVAIL, CA, N/AVAIL	San Bernardino
0397-023-07	55 OAK VALLEY DR	NOVATO	CA	94947	N/AVAIL	HESPERIA, CA, 92345	San Bernardino
0405-401-36	PO BOX 1736	TOPEKA	KS	66601	N/AVAIL	HESPERIA, CA, 92345	San Bernardino
0435-174-16	1800 EITRAVESIA DR	LA HABRA HEIGHTS	CA	90631	N/AVAIL	APPLE VALLEY, CA, 92308	San Bernardino
0435-104-26	28815 N SECO CANYON RD	SAUGUS	CA	91350	N/AVAIL	APPLE VALLEY, CA, 92308	San Bernardino
0397-082-62	N/AVAIL	N/AVAIL	N/AVAIL	N/AVAIL	N/AVAIL	N/AVAIL, CA, 92345	San Bernardino
0405-162-01	10043 GOTHIC AVE	NORTH HILLS	CA	91343	N/AVAIL	HESPERIA, CA, 92345	San Bernardino
0405-391-46	N/AVAIL	N/AVAIL	N/AVAIL	N/AVAIL	N/AVAIL	HESPERIA, CA, 92345	San Bernardino
0397-052-13	1271 AVENUE OF THE AMERICAS	NEW YORK	NY	10020	LAS FLORES	HESPERIA, CA, 92345	San Bernardino
0435-174-23	8320 W WASHBURN RD	LAS VEGAS	NV	89149	N/AVAIL	APPLE VALLEY, CA, 92308	San Bernardino
0397-082-15	10043 GOTHIC AVE	NORTH HILLS	CA	91343	N/AVAIL	N/AVAIL, CA, 92345	San Bernardino
0433-121-12	111 OVAL RD	IRVINE	CA	92604	N/AVAIL	APPLE VALLEY, CA, 92308	San Bernardino
0433-091-10	6407 ARNOLD WAY	BUENA PARK	CA	90620	N/AVAIL	APPLE VALLEY, CA, 92308	San Bernardino
0405-411-07	31951 VIA ARARAT DR	BONSALL	CA	92003	N/AVAIL	N/AVAIL, CA, 92345	San Bernardino
0432-011-52	24921 MOHR DR	HAYWARD	CA	94545	N/AVAIL	APPLE VALLEY, CA, 92308	San Bernardino

**Coolwater-Lugo Transmission Project
Ownership Mailing List for Notice of Amended Application for CPCN**

APN	MAILING ADDRESS	MAILING CITY	STATE	ZIP	SITUS ADDRESS	SITUS CITY/STATE/ZIP	SITUS COUNTY
0405-411-04	919 WALBURG ST	GREEN COVE SPRINGS	FL	32043	N/AVAIL	N/AVAIL, CA, 92345	San Bernardino
0405-391-18	3192 TEMESCAL AVE	NORCO	CA	92860	N/AVAIL	HESPERIA, CA, 92345	San Bernardino
0405-391-43	N/AVAIL	N/AVAIL	N/AVAIL	N/AVAIL	N/AVAIL	HESPERIA, CA, 92345	San Bernardino
0397-082-66	N/AVAIL	N/AVAIL	N/AVAIL	N/AVAIL	N/AVAIL	N/AVAIL, CA, 92345	San Bernardino
0397-023-14	6375 ARROWHEAD LAKE RD	HESPERIA	CA	92345	6375 ARROWHEAD LAKE RD	HESPERIA, CA, 92345	San Bernardino
0435-174-15	10651 FULLBRIGHT AVE	CHATSWORTH	CA	91311	N/AVAIL	APPLE VALLEY, CA, 92308	San Bernardino
0405-411-15	16000 EL CENTRO ST	HESPERIA	CA	92345	N/AVAIL	HESPERIA, CA, 92345	San Bernardino
0433-091-13	15785 LORENE DR	VICTORVILLE	CA	92395	N/AVAIL	APPLE VALLEY, CA, 92308	San Bernardino
0432-071-22	3815 MINNEKAHTA DR	RAPID CITY	SD	57702	N/AVAIL	N/AVAIL, CA, N/AVAIL	San Bernardino
0433-091-12	PO BOX 1221	CHINO HILLS	CA	91709	N/AVAIL	APPLE VALLEY, CA, 92308	San Bernardino
0405-391-50	PO BOX 410	LONG BEACH	CA	90801	N/AVAIL	HESPERIA, CA, 92345	San Bernardino
0433-111-01	N/AVAIL	N/AVAIL	N/AVAIL	N/AVAIL	N/AVAIL	APPLE VALLEY, CA, 92308	San Bernardino
0397-082-18	10043 GOTHIC AVE	NORTH HILLS	CA	91343	N/AVAIL	N/AVAIL, CA, 92345	San Bernardino
0405-401-27	5420 RUTILE ST	RIVERSIDE	CA	92509	14409 SUMMIT VALLEY RD	HESPERIA, CA, 92345	San Bernardino
0405-411-05	N/AVAIL	N/AVAIL	N/AVAIL	N/AVAIL	N/AVAIL	N/AVAIL, CA, 92345	San Bernardino
0405-391-45	5042 WILSHIRE BLVD	LOS ANGELES	CA	90036	N/AVAIL	HESPERIA, CA, 92345	San Bernardino
0405-401-17	PO BOX 2078	CRESTLINE	CA	92325	N/AVAIL	HESPERIA, CA, 92345	San Bernardino
0435-611-35	260 UTAH ST	RENO	NV	89506	N/AVAIL	APPLE VALLEY, CA, 92308	San Bernardino
0435-174-24	26460 LARAMIE ST	APPLE VALLEY	CA	92308	N/AVAIL	APPLE VALLEY, CA, 92308	San Bernardino
0433-211-01	N/AVAIL	N/AVAIL	N/AVAIL	N/AVAIL	N/AVAIL	N/AVAIL, CA, 92308	San Bernardino
0397-082-60	N/AVAIL	N/AVAIL	N/AVAIL	N/AVAIL	N/AVAIL	N/AVAIL, CA, 92345	San Bernardino
0432-071-09	N/AVAIL	N/AVAIL	N/AVAIL	N/AVAIL	N/AVAIL	N/AVAIL, CA, N/AVAIL	San Bernardino
0397-151-20	10043 GOTHIC AVE	NORTH HILLS	CA	91343	N/AVAIL	HESPERIA, CA, 92345	San Bernardino
0435-104-24	1894 ARABIAN LN	GARDNERVILLE	NV	89410	N/AVAIL	APPLE VALLEY, CA, 92308	San Bernardino
0397-082-06	10043 GOTHIC AVE	NORTH HILLS	CA	91343	N/AVAIL	N/AVAIL, CA, 92345	San Bernardino
0397-082-21	18080 SANTA ANABELLA	FOUNTAIN VALLEY	CA	92708	N/AVAIL	N/AVAIL, CA, 92345	San Bernardino
0405-411-13	8672 BRENTFORD RD	SAN GABRIEL	CA	91775	N/AVAIL	HESPERIA, CA, 92345	San Bernardino
0433-121-11	111 OVAL RD	IRVINE	CA	92604	N/AVAIL	APPLE VALLEY, CA, 92308	San Bernardino
0432-071-29	28726 ARROYO VISTA DR	HIGHLAND	CA	92346	N/AVAIL	N/AVAIL, CA, N/AVAIL	San Bernardino
0435-104-56	5518 S RIM ST	WESTLAKE VILLAGE	CA	91362	N/AVAIL	APPLE VALLEY, CA, 92308	San Bernardino
0435-104-41	3269 F 3/10 RD	CLIFTON	CO	81520	N/AVAIL	APPLE VALLEY, CA, 92308	San Bernardino
0433-091-02	N/AVAIL	N/AVAIL	N/AVAIL	N/AVAIL	N/AVAIL	APPLE VALLEY, CA, 92308	San Bernardino
0435-174-13	704 N REXFORD DR	BEVERLY HILLS	CA	90210	N/AVAIL	APPLE VALLEY, CA, 92308	San Bernardino
0432-071-21	PO BOX 290849	PHELAN	CA	92329	N/AVAIL	N/AVAIL, CA, N/AVAIL	San Bernardino
0405-391-49	3809 S BIRCH ST	SANTA ANA	CA	92707	14065 SUMMIT VALLEY RD	HESPERIA, CA, 92345	San Bernardino
0435-174-45	N/AVAIL	N/AVAIL	N/AVAIL	N/AVAIL	N/AVAIL	APPLE VALLEY, CA, 92308	San Bernardino
0397-023-16	PO BOX 400785	HESPERIA	CA	92340	6367 ARROWHEAD RD	HESPERIA, CA, 92345	San Bernardino
0433-091-05	N/AVAIL	N/AVAIL	N/AVAIL	N/AVAIL	N/AVAIL	APPLE VALLEY, CA, 92308	San Bernardino

**Coolwater-Lugo Transmission Project
Ownership Mailing List for Notice of Amended Application for CPCN**

APN	MAILING ADDRESS	MAILING CITY	STATE	ZIP	SITUS ADDRESS	SITUS CITY/STATE/ZIP	SITUS COUNTY
0397-082-19	N/AVAIL	N/AVAIL	N/AVAIL	N/AVAIL	N/AVAIL	N/AVAIL, CA, 92345	San Bernardino
0405-391-16	N/AVAIL	N/AVAIL	N/AVAIL	N/AVAIL	N/AVAIL	HESPERIA, CA, 92345	San Bernardino
0405-401-26	3107 CAROLWOOD LN	TORRANCE	CA	90505	N/AVAIL	HESPERIA, CA, 92345	San Bernardino
0397-082-65	N/AVAIL	N/AVAIL	N/AVAIL	N/AVAIL	N/AVAIL	N/AVAIL, CA, 92345	San Bernardino
0397-023-17	N/AVAIL	N/AVAIL	N/AVAIL	N/AVAIL	N/AVAIL	HESPERIA, CA, 92345	San Bernardino
0405-401-15	PO BOX 2078	CRESTLINE	CA	92325	N/AVAIL	SUMMIT, CA, 92397	San Bernardino
0432-071-07	N/AVAIL	N/AVAIL	N/AVAIL	N/AVAIL	N/AVAIL	N/AVAIL, CA, N/AVAIL	San Bernardino
0433-121-35	N/AVAIL	N/AVAIL	N/AVAIL	N/AVAIL	N/AVAIL	APPLE VALLEY, CA, 92308	San Bernardino
0433-121-10	111 OVAL RD	IRVINE	CA	92604	N/AVAIL	APPLE VALLEY, CA, 92308	San Bernardino
0405-401-24	1102 NICOLA RANCH RD	FALLBROOK	CA	92028	N/AVAIL	HESPERIA, CA, 92345	San Bernardino
0405-391-15	3809 S BIRCH ST	SANTA ANA	CA	92707	14078 SUMMIT VALLEY RD	HESPERIA, CA, 92345	San Bernardino
0433-111-03	N/AVAIL	N/AVAIL	N/AVAIL	N/AVAIL	N/AVAIL	APPLE VALLEY, CA, 92308	San Bernardino
0433-121-09	111 OVAL RD	IRVINE	CA	92604	N/AVAIL	APPLE VALLEY, CA, 92308	San Bernardino
0405-391-34	N/AVAIL	N/AVAIL	N/AVAIL	N/AVAIL	N/AVAIL	HESPERIA, CA, 92345	San Bernardino
0397-022-14	740 E CAMPBELL RD	RICHARDSON	TX	75081	N/AVAIL	HESPERIA, CA, 92345	San Bernardino
0397-022-07	19 CREST CIR	CORONA DEL MAR	CA	92625	N/AVAIL	HESPERIA, CA, 92345	San Bernardino
0435-104-42	PO BOX 277	PENROSE	CO	81240	BELLVIEW AVE	HESPERIA, CA, 92345	San Bernardino
0433-121-34	N/AVAIL	N/AVAIL	N/AVAIL	N/AVAIL	N/AVAIL	APPLE VALLEY, CA, 92308	San Bernardino
0397-082-17	10043 GOTHIC AVE	NORTH HILLS	CA	91343	N/AVAIL	APPLE VALLEY, CA, 92308	San Bernardino
0405-391-14	5042 WILSHIRE BLVD	LOS ANGELES	CA	90036	N/AVAIL	N/AVAIL, CA, 92345	San Bernardino
0397-151-25	N/AVAIL	N/AVAIL	N/AVAIL	N/AVAIL	N/AVAIL	HESPERIA, CA, 92345	San Bernardino
0380-212-22	1615 VAN TRESS AVE	WILMINGTON	CA	90744	23940 TUSSING RANCH RD	HESPERIA, CA, 92345	San Bernardino
0405-401-13	23545 JUBILEE LN	DIAMOND BAR	CA	91765	14455 SUMMIT VALLEY RD	APPLE VALLEY, CA, 92308	San Bernardino
0435-104-32	PO BOX 8612	SOUTH LAKE TAHOE	CA	96158	N/AVAIL	HESPERIA, CA, 92345	San Bernardino
0435-174-17	5661 PRINTWOOD WAY	SAN DIEGO	CA	92117	N/AVAIL	APPLE VALLEY, CA, 92308	San Bernardino
0435-611-50	12929 E MOORSHIRE DR	CERRITOS	CA	90701	N/AVAIL	APPLE VALLEY, CA, 92307	San Bernardino
0433-091-09	2800 COTTAGE WAY	SACRAMENTO	CA	95825	N/AVAIL	APPLE VALLEY, CA, 92308	San Bernardino
0397-082-54	250 S GRAMERCY PL	LOS ANGELES	CA	90004	N/AVAIL	APPLE VALLEY, CA, 92308	San Bernardino
0433-081-02	N/AVAIL	N/AVAIL	N/AVAIL	N/AVAIL	N/AVAIL	HESPERIA, CA, 92345	San Bernardino
0397-052-16	740 E CAMPBELL RD	RICHARDSON	TX	75081	N/AVAIL	APPLE VALLEY, CA, 92308	San Bernardino
0405-391-44	5042 WILSHIRE BLVD	LOS ANGELES	CA	90036	N/AVAIL	N/AVAIL, CA, 92345	San Bernardino
0435-174-11	1888 CENTURY PARK E	LOS ANGELES	CA	90067	N/AVAIL	HESPERIA, CA, 92345	San Bernardino
0435-174-25	2612 HOPE FOREST DR	LAS VEGAS	NV	89134	N/AVAIL	APPLE VALLEY, CA, 92308	San Bernardino
0405-411-06	213 S REESE PL	BURBANK	CA	91506	N/AVAIL	APPLE VALLEY, CA, 92308	San Bernardino
0433-121-15	N/AVAIL	N/AVAIL	N/AVAIL	N/AVAIL	N/AVAIL	N/AVAIL, CA, 92345	San Bernardino
0397-082-20	91 HOOLU PL	EWA BEACH	HI	96706	N/AVAIL	APPLE VALLEY, CA, 92308	San Bernardino
0397-023-01	N/AVAIL	N/AVAIL	N/AVAIL	N/AVAIL	N/AVAIL	N/AVAIL, CA, 92345	San Bernardino
0405-411-14	26608 PRESIDENT AVE	SAN PEDRO	CA	90731	N/AVAIL	HESPERIA, CA, 92345	San Bernardino

**Coolwater-Lugo Transmission Project
Ownership Mailing List for Notice of Amended Application for CPCN**

APN	MAILING ADDRESS	MAILING CITY	STATE	ZIP	SITUS ADDRESS	SITUS CITY/STATE/ZIP	SITUS COUNTY
0433-111-02	N/AVAIL	N/AVAIL	N/AVAIL	N/AVAIL	N/AVAIL	APPLE VALLEY, CA, 92308	San Bernardino
0397-071-11	10043 GOTHIC AVE	NORTH HILLS	CA	91343	N/AVAIL	HESPERIA, CA, 92345	San Bernardino
0432-011-40	24921 MOHR DR	HAYWARD	CA	94545	N/AVAIL	APPLE VALLEY, CA, 92308	San Bernardino
0433-091-08	N/AVAIL	N/AVAIL	N/AVAIL	N/AVAIL	N/AVAIL	APPLE VALLEY, CA, 92308	San Bernardino
0438-072-08	PO BOX 1453	LUCERNE VALLEY	CA	92356	N/AVAIL	APPLE VALLEY, CA, 92308	San Bernardino
0433-091-11	14313 TEDFORD DR	WHITTIER	CA	90604	N/AVAIL	APPLE VALLEY, CA, 92308	San Bernardino
0435-174-44	N/AVAIL	N/AVAIL	N/AVAIL	N/AVAIL	N/AVAIL	APPLE VALLEY, CA, 92308	San Bernardino
0435-104-40	9813 NE 140TH ST	KIRKLAND	WA	98034	N/AVAIL	APPLE VALLEY, CA, 92308	San Bernardino
0433-091-14	5352 W WASHINGTON BLVD	LOS ANGELES	CA	90016	N/AVAIL	APPLE VALLEY, CA, 92308	San Bernardino
0397-082-59	N/AVAIL	N/AVAIL	N/AVAIL	N/AVAIL	N/AVAIL	N/AVAIL, CA, 92345	San Bernardino
0435-104-52	1881 HAMILTON LN	ESCONDIDO	CA	92029	N/AVAIL	APPLE VALLEY, CA, 92308	San Bernardino
0405-401-21	15309 YEW CT	FONTANA	CA	92335	5925 TELEPHONE CANYON RD	HESPERIA, CA, 92345	San Bernardino
0435-174-30	N/AVAIL	N/AVAIL	N/AVAIL	N/AVAIL	N/AVAIL	APPLE VALLEY, CA, 92308	San Bernardino
0397-023-29	55 OAK VALLEY DR	NOVATO	CA	94947	N/AVAIL	HESPERIA, CA, 92345	San Bernardino
0435-104-47	3901 MESA VISTA WAY	BONITA	CA	91902	N/AVAIL	APPLE VALLEY, CA, 92308	San Bernardino
0405-401-07	PO BOX 2078	CRESTLINE	CA	92325	14345 SUMMIT VALLEY RD	HESPERIA, CA, 92345	San Bernardino
0397-023-15	55 OAK VALLEY DR	NOVATO	CA	94947	N/AVAIL	HESPERIA, CA, 92345	San Bernardino
0405-411-18	11911 HWY 138	HESPERIA	CA	92345	N/AVAIL	HESPERIA, CA, 92345	San Bernardino
0398-071-12	17328 SEAFORTH ST	HESPERIA	CA	92345	17328 SEAFORTH ST	HESPERIA, CA, 92345	San Bernardino
0397-291-07	15424 VIA CARTAGENA ST	HESPERIA	CA	92345	15424 VIA CARTAGENA ST	HESPERIA, CA, 92345	San Bernardino
0405-931-03	160 N RANCHO AVE	SAN BERNARDINO	CA	92410	14555 FARMINGTON ST	HESPERIA, CA, 92345	San Bernardino
0405-881-04	14940 CROMDALE ST	HESPERIA	CA	92345	14940 CROMDALE ST	HESPERIA, CA, 92345	San Bernardino
0398-471-23	19007 DANBURY AVE	HESPERIA	CA	92345	19007 DANBURY AVE	HESPERIA, CA, 92345	San Bernardino
0412-313-27	7530 BANGOR AVE	HESPERIA	CA	92345	7530 BANGOR AVE	HESPERIA, CA, 92345	San Bernardino
0412-241-04	16189 RODEO ST	HESPERIA	CA	92345	16189 RODEO ST	HESPERIA, CA, 92345	San Bernardino
0397-211-23	20206 EAGLE MILLS CT	HUMBLE	TX	77338	15641 VIA CARTAGENA ST	HESPERIA, CA, 92345	San Bernardino
0435-104-16	N/AVAIL	N/AVAIL	N/AVAIL	N/AVAIL	N/AVAIL	APPLE VALLEY, CA, 92308	San Bernardino
0438-221-84	6000 CORRALES RD	CORRALES	NM	87048	N/AVAIL	APPLE VALLEY, CA, 92308	San Bernardino
0438-251-01	N/AVAIL	N/AVAIL	N/AVAIL	N/AVAIL	N/AVAIL	APPLE VALLEY, CA, 92308	San Bernardino
0438-104-21	PO BOX 3710	APPLE VALLEY	CA	92307	22945 RANCHO ST	APPLE VALLEY, CA, 92308	San Bernardino
0397-211-22	15631 VIA CARTAGENA ST	HESPERIA	CA	92345	15631 VIA CARTAGENA ST	HESPERIA, CA, 92345	San Bernardino
0433-013-30	PO BOX 2713	CAMP VERDE	AZ	86322	N/AVAIL	APPLE VALLEY, CA, 92308	San Bernardino
0398-132-04	17964 SEAFORTH ST	HESPERIA	CA	92345	17964 SEAFORTH ST	HESPERIA, CA, 92345	San Bernardino
0397-201-02	15485 VIA BAHIA ST	HESPERIA	CA	92345	15485 VIA BAHIA ST	HESPERIA, CA, 92345	San Bernardino
0398-465-02	19109 DANBURY AVE	HESPERIA	CA	92345	19109 DANBURY AVE	HESPERIA, CA, 92345	San Bernardino
0405-144-21	4426 GREENBRIER RD	LOMPOC	CA	93436	N/AVAIL	OAK HILLS, CA, 92344	San Bernardino
0398-097-12	7776 PAISLEY AVE	HESPERIA	CA	92345	17387 REDDING ST	HESPERIA, CA, 92345	San Bernardino
0397-291-05	15421 VIA CARTAGENA ST	HESPERIA	CA	92345	15421 VIA CARTAGENA ST	HESPERIA, CA, 92345	San Bernardino

**Coolwater-Lugo Transmission Project
Ownership Mailing List for Notice of Amended Application for CPCN**

APN	MAILING ADDRESS	MAILING CITY	STATE	ZIP	SITUS ADDRESS	SITUS CITY/STATE/ZIP	SITUS COUNTY
0398-081-05	17108 SEAFORTH ST	HESPERIA	CA	92345	17040 DANBURY AVE	HESPERIA, CA, 92345	San Bernardino
0397-281-10	15505 VIA CARTAGENA ST	HESPERIA	CA	92345	15505 VIA CARTAGENA ST	HESPERIA, CA, 92345	San Bernardino
0438-144-11	9125 YUCCA ST	APPLE VALLEY	CA	92308	9125 YUCCA ST	APPLE VALLEY, CA, 92308	San Bernardino
0398-326-10	1001 W 18TH ST	UPLAND	CA	91784	18540 SEAFORTH ST	HESPERIA, CA, 92345	San Bernardino
0398-304-26	3421 ZOLA ST	SAN DIEGO	CA	92106	TEMECULA AVE	HESPERIA, CA, 92345	San Bernardino
0398-294-22	8109 PEACH AVE	HESPERIA	CA	92345	8109 PEACH AVE	HESPERIA, CA, 92345	San Bernardino
0412-234-16	16406 LARCH ST	HESPERIA	CA	92345	16406 LARCH ST	HESPERIA, CA, 92345	San Bernardino
0438-143-22	9071 JOSHUA ST	APPLE VALLEY	CA	92308	9071 JOSHUA ST	APPLE VALLEY, CA, 92308	San Bernardino
0438-112-74	9629 FLORA VISTA RD	APPLE VALLEY	CA	92308	9629 FLORA VISTA RD	APPLE VALLEY, CA, 92308	San Bernardino
0438-221-43	9770 BONITA VISTA ST	APPLE VALLEY	CA	92308	9770 BONITA VISTA ST	APPLE VALLEY, CA, 92308	San Bernardino
0398-481-02	8162 JULIE CT	HESPERIA	CA	92345	8162 JULIE CT	HESPERIA, CA, 92345	San Bernardino
0412-313-03	7595 ALSTON AVE	HESPERIA	CA	92345	7595 ALSTON AVE	HESPERIA, CA, 92345	San Bernardino
0438-112-26	9425 CENTRAL RD	APPLE VALLEY	CA	92308	9425 CENTRAL RD	APPLE VALLEY, CA, 92308	San Bernardino
0397-142-04	PO BOX 407000	HESPERIA	CA	92340	15869 RANCHERO RD	HESPERIA, CA, 92345	San Bernardino
0405-441-26	N/AVAIL	N/AVAIL	N/AVAIL	N/AVAIL	N/AVAIL	HESPERIA, CA, 92344	San Bernardino
0412-316-03	91 MALAGA	TUSTIN	CA	92780	7680 CHASE AVE	HESPERIA, CA, 92345	San Bernardino
0405-861-19	13770 SAHARA LN	VICTORVILLE	CA	92394	15244 CROMDALE ST	HESPERIA, CA, 92345	San Bernardino
0398-465-04	9301 ORCHID DR	WESTMINSTER	CA	92683	19127 DANBURY AVE	HESPERIA, CA, 92345	San Bernardino
0397-211-04	16870 CACTUS ST	HESPERIA	CA	92345	15565 VIA BAHIA ST	HESPERIA, CA, 92345	San Bernardino
0398-158-08	17715 REDDING ST	HESPERIA	CA	92345	17715 REDDING ST	HESPERIA, CA, 92345	San Bernardino
0412-182-16	15684 RANCHERO RD	HESPERIA	CA	92345	15684 RANCHERO RD	HESPERIA, CA, 92345	San Bernardino
0398-464-12	16156 PINE AVE	FONTANA	CA	92335	19186 DANBURY AVE	HESPERIA, CA, 92345	San Bernardino
0398-319-03	644 S 4TH ST	MONTEBELLO	CA	90640	18450 SEAFORTH ST	HESPERIA, CA, 92345	San Bernardino
0398-081-02	17070 DANBURY AVE	HESPERIA	CA	92345	17070 DANBURY AVE	HESPERIA, CA, 92345	San Bernardino
0398-093-03	9378 KAISER AVE	FONTANA	CA	92335	JENKINS AVE	HESPERIA, CA, 92345	San Bernardino
0398-042-01	16888 DANBURY AVE	HESPERIA	CA	92345	16888 DANBURY AVE	HESPERIA, CA, 92345	San Bernardino
0398-292-08	18509 YUBA ST	HESPERIA	CA	92345	18509 YUBA ST	HESPERIA, CA, 92345	San Bernardino
0435-104-18	1008 DOUGLAS ST	LOS ANGELES	CA	90026	N/AVAIL	APPLE VALLEY, CA, 92308	San Bernardino
0433-013-33	8828 WINDY RD	APPLE VALLEY	CA	92308	SHAWNEE RD	APPLE VALLEY, CA, 92308	San Bernardino
0398-227-23	8130 PEACH AVE	HESPERIA	CA	92345	N/AVAIL	HESPERIA, CA, 92345	San Bernardino
0412-182-15	13302 RANCHERO RD	OAK HILLS	CA	92344	N/AVAIL	HESPERIA, CA, 92345	San Bernardino
0438-112-68	22625 LARAMIE ST	APPLE VALLEY	CA	92308	22625 LARAMIE ST	APPLE VALLEY, CA, 92308	San Bernardino
0398-158-14	17801 REDDING ST	HESPERIA	CA	92345	17801 REDDING ST	HESPERIA, CA, 92345	San Bernardino
0398-082-25	PO BOX 402191	HESPERIA	CA	92340	17135 DANBURY AVE	HESPERIA, CA, 92345	San Bernardino
0398-304-11	23470 COVOTE SPRINGS DR	DIAMOND BAR	CA	91765	N/AVAIL	HESPERIA, CA, 92345	San Bernardino
0398-463-06	PO BOX 400366	HESPERIA	CA	92340	19146 DANBURY AVE	HESPERIA, CA, 92345	San Bernardino
0398-292-05	N/AVAIL	N/AVAIL	N/AVAIL	N/AVAIL	N/AVAIL	HESPERIA, CA, 92345	San Bernardino
0412-234-17	16396 LARCH ST	HESPERIA	CA	92345	16396 LARCH ST	HESPERIA, CA, 92345	San Bernardino

**Coolwater-Lugo Transmission Project
Ownership Mailing List for Notice of Amended Application for CPCN**

APN	MAILING ADDRESS	MAILING CITY	STATE	ZIP	SITUS ADDRESS	SITUS CITY/STATE/ZIP	SITUS COUNTY
0438-104-19	9971 CENTRAL RD	APPLE VALLEY	CA	92308	N/AVAIL	APPLE VALLEY, CA, 92308	San Bernardino
0438-143-20	9070 JOSHUA ST	APPLE VALLEY	CA	92308	9070 JOSHUA ST	APPLE VALLEY, CA, 92308	San Bernardino
0398-293-23	18504 YUBA ST	HESPERIA	CA	92345	18504 YUBA ST	HESPERIA, CA, 92345	San Bernardino
0398-172-13	21317 ESPANDA PL	DIAMOND BAR	CA	91765	18108 SEAFORTH ST	HESPERIA, CA, 92345	San Bernardino
0398-471-08	18989 DANBURY AVE	HESPERIA	CA	92345	18989 DANBURY AVE	HESPERIA, CA, 92345	San Bernardino
0405-144-26	6738 TAMARISK AVE	OAK HILLS	CA	92344	6738 TAMARISK AVE	OAK HILLS, CA, 92344	San Bernardino
0398-108-05	17547 REDDING ST	HESPERIA	CA	92345	17547 REDDING ST	HESPERIA, CA, 92345	San Bernardino
0398-072-05	PO BOX 401961	HESPERIA	CA	92340	17564 SEAFORTH ST	HESPERIA, CA, 92345	San Bernardino
0412-241-31	16174 GREVILLEA ST	HESPERIA	CA	92345	16174 GREVILLEA ST	HESPERIA, CA, 92345	San Bernardino
0397-141-01	N/AVAIL	N/AVAIL	N/AVAIL	N/AVAIL	N/AVAIL	HESPERIA, CA, 92345	San Bernardino
0397-281-15	15591 VIA CARTAGENA ST	HESPERIA	CA	92345	15591 VIA CARTAGENA ST	HESPERIA, CA, 92345	San Bernardino
0412-311-09	7537 CHASE AVE	HESPERIA	CA	92345	7537 CHASE AVE	HESPERIA, CA, 92345	San Bernardino
0433-014-30	1255 E HIGHLAND AVE	SAN BERNARDINO	CA	92404	N/AVAIL	APPLE VALLEY, CA, 92308	San Bernardino
0405-144-94	6743 OPAL AVE	OAK HILLS	CA	92344	6743 OPAL AVE	OAK HILLS, CA, 92344	San Bernardino
0398-072-09	7765 NEWHALL AVE	HESPERIA	CA	92345	7765 NEWHALL AVE	HESPERIA, CA, 92345	San Bernardino
0398-081-07	N/AVAIL	N/AVAIL	N/AVAIL	N/AVAIL	N/AVAIL	HESPERIA, CA, 92345	San Bernardino
0398-131-01	7880 WINDSOR AVE	HESPERIA	CA	92345	7880 WINDSOR AVE	HESPERIA, CA, 92345	San Bernardino
0398-108-01	17483 REDDING ST	HESPERIA	CA	92345	17483 REDDING ST	HESPERIA, CA, 92345	San Bernardino
0398-465-16	19233 DANBURY AVE	HESPERIA	CA	92345	19233 DANBURY AVE	HESPERIA, CA, 92345	San Bernardino
0398-304-17	N/AVAIL	N/AVAIL	N/AVAIL	N/AVAIL	N/AVAIL	HESPERIA, CA, 92345	San Bernardino
0405-253-30	14786 WILSON ST	HESPERIA	CA	92345	14786 WILSON ST	HESPERIA, CA, 92345	San Bernardino
0438-271-06	9440 CENTRAL RD	APPLE VALLEY	CA	92308	9440 CENTRAL RD	APPLE VALLEY, CA, 92308	San Bernardino
0398-465-05	19135 DANBURY AVE	HESPERIA	CA	92345	19135 DANBURY AVE	HESPERIA, CA, 92345	San Bernardino
0398-321-04	8164 MONO DR	HESPERIA	CA	92345	8164 MONO DR	HESPERIA, CA, 92345	San Bernardino
0438-104-01	8367 SAN CLEMENTE WAY	BUENA PARK	CA	90620	9685 BELLA VISTA ST	APPLE VALLEY, CA, 92308	San Bernardino
0398-071-13	17316 SEAFORTH ST	HESPERIA	CA	92345	17316 SEAFORTH ST	HESPERIA, CA, 92345	San Bernardino
0398-158-16	17833 REDDING ST	HESPERIA	CA	92345	17833 REDDING ST	HESPERIA, CA, 92345	San Bernardino
0398-097-08	2455 S PARK AVE	POMONA	CA	91766	N/AVAIL	HESPERIA, CA, 92345	San Bernardino
0398-097-11	5885 W 78TH ST	LOS ANGELES	CA	90045	N/AVAIL	HESPERIA, CA, 92345	San Bernardino
0412-312-18	313 S HOWARD ST	CORONA	CA	92879	7536 CHASE AVE	HESPERIA, CA, 92345	San Bernardino
0398-293-22	18520 YUBA ST	HESPERIA	CA	92345	18520 YUBA ST	HESPERIA, CA, 92345	San Bernardino
0412-312-06	7547 BANGOR AVE	HESPERIA	CA	92345	7547 BANGOR AVE	HESPERIA, CA, 92345	San Bernardino
0398-454-02	15330 ASH ST	HESPERIA	CA	92345	19086 DANBURY AVE	HESPERIA, CA, 92345	San Bernardino
0405-861-26	15324 CROMDALE ST	HESPERIA	CA	92345	15324 CROMDALE ST	HESPERIA, CA, 92345	San Bernardino
0412-241-36	2131 WALNUT GROVE AVE 2ND F	ROSEMEAD	CA	91770	N/AVAIL	HESPERIA, CA, 92345	San Bernardino
0398-463-09	PO BOX 402422	HESPERIA	CA	92340	19120 DANBURY AVE	HESPERIA, CA, 92345	San Bernardino
0398-158-17	7920 WINDSOR AVE	HESPERIA	CA	92345	7920 WINDSOR AVE	HESPERIA, CA, 92345	San Bernardino
0412-313-30	7480 BANGOR AVE	HESPERIA	CA	92345	7480 BANGOR AVE	HESPERIA, CA, 92345	San Bernardino

**Coolwater-Lugo Transmission Project
Ownership Mailing List for Notice of Amended Application for CPCN**

APN	MAILING ADDRESS	MAILING CITY	STATE	ZIP	SITUS ADDRESS	SITUS CITY/STATE/ZIP	SITUS COUNTY
0438-104-02	N/AVAIL	N/AVAIL	N/AVAIL	N/AVAIL	N/AVAIL	APPLE VALLEY, CA, 92308	San Bernardino
0412-172-02	7409 3RD AVE	HESPERIA	CA	92345	7409 3RD AVE	HESPERIA, CA, 92345	San Bernardino
0405-881-09	15020 CROMDALE ST	HESPERIA	CA	92345	15020 CROMDALE ST	HESPERIA, CA, 92345	San Bernardino
0398-227-11	18227 REDDING ST	HESPERIA	CA	92345	N/AVAIL	HESPERIA, CA, 92345	San Bernardino
0398-293-24	11272 GAVE	HESPERIA	CA	92345	18486 YUBA ST	HESPERIA, CA, 92345	San Bernardino
0438-251-32	9589 SVL BOX	VICTORVILLE	CA	92395	9259 MANHASSET RD	APPLE VALLEY, CA, 92308	San Bernardino
0398-108-02	104 S GLENDORA AVE	WEST COVINA	CA	91790	17497 REDDING ST	HESPERIA, CA, 92345	San Bernardino
0398-095-10	8415 HICKORY AVE	HESPERIA	CA	92345	7806 LYONS AVE	HESPERIA, CA, 92345	San Bernardino
0398-321-14	149 SAGE DR	BISHOP	CA	93514	8101 LASSEN AVE	HESPERIA, CA, 92345	San Bernardino
0398-471-16	19047 DANBURY AVE	HESPERIA	CA	92345	19047 DANBURY AVE	HESPERIA, CA, 92345	San Bernardino
0438-073-15	1710 E HARWELL RD	PHOENIX	AZ	85042	N/AVAIL	APPLE VALLEY, CA, 92308	San Bernardino
0405-861-08	10349 DARBY RD	APPLE VALLEY	CA	92308	15321 KIMBALL ST	HESPERIA, CA, 92345	San Bernardino
0438-144-09	9111 SAGEBRUSH RD	APPLE VALLEY	CA	92307	9111 SAGEBRUSH ST	APPLE VALLEY, CA, 92308	San Bernardino
0397-142-17	15836 ARBURY ST	HESPERIA	CA	92345	15836 ARBURY ST	HESPERIA, CA, 92345	San Bernardino
0405-144-89	2131 WALNUT GROVE AVE	ROSEMEAD	CA	91770	N/AVAIL	HESPERIA, CA, 92344	San Bernardino
0398-071-03	17460 SEAFORTH ST	HESPERIA	CA	92345	17460 SEAFORTH ST	HESPERIA, CA, 92345	San Bernardino
0398-082-09	17124 SEAFORTH ST	HESPERIA	CA	92345	17124 SEAFORTH ST	HESPERIA, CA, 92345	San Bernardino
0398-132-02	17996 SEAFORTH ST	HESPERIA	CA	92345	17996 SEAFORTH ST	HESPERIA, CA, 92345	San Bernardino
0412-322-04	848 S HOLT AVE	LOS ANGELES	CA	90035	7492 ALSTON AVE	HESPERIA, CA, 92345	San Bernardino
0398-082-08	17140 SEAFORTH ST	HESPERIA	CA	92345	17140 SEAFORTH ST	HESPERIA, CA, 92345	San Bernardino
0397-281-12	15541 VIA CARTAGENA ST	HESPERIA	CA	92345	15541 VIA CARTAGENA ST	HESPERIA, CA, 92345	San Bernardino
0398-071-16	17274 SEAFORTH ST	HESPERIA	CA	92345	17274 SEAFORTH ST	HESPERIA, CA, 92345	San Bernardino
0398-157-03	17899 REDDING ST	HESPERIA	CA	92345	17899 REDDING ST	HESPERIA, CA, 92345	San Bernardino
0405-144-33	14342 JENNY ST	OAK HILLS	CA	92344	14342 JENNY ST	OAK HILLS, CA, 92344	San Bernardino
0398-292-12	PO BOX 40089	DOWNEY	CA	90239	N/AVAIL	HESPERIA, CA, 92345	San Bernardino
0398-471-22	19057 DANBURY AVE	HESPERIA	CA	92345	19057 DANBURY AVE	HESPERIA, CA, 92345	San Bernardino
0438-073-40	1200 E 1ST ST	LOS ANGELES	CA	90033	23828 POPPY RD	APPLE VALLEY, CA, 92308	San Bernardino
0412-182-17	15660 RANCHERO RD	HESPERIA	CA	92345	15660 RANCHERO RD	HESPERIA, CA, 92345	San Bernardino
0405-881-24	15122 CROMDALE ST	HESPERIA	CA	92345	15122 CROMDALE ST	HESPERIA, CA, 92345	San Bernardino
0405-253-15	14176 MONTECITO PL	VICTORVILLE	CA	92395	N/AVAIL	HESPERIA, CA, 92345	San Bernardino
0412-313-04	7621 ALSTON AVE	HESPERIA	CA	92345	7621 ALSTON AVE	HESPERIA, CA, 92345	San Bernardino
0412-322-10	7436 ALSTON AVE	HESPERIA	CA	92345	7436 ALSTON AVE	HESPERIA, CA, 92345	San Bernardino
0438-143-15	9160 JOSHUA ST	APPLE VALLEY	CA	92308	9160 JOSHUA ST	APPLE VALLEY, CA, 92308	San Bernardino
0412-304-01	7721 CHASE AVE	HESPERIA	CA	92345	7721 CHASE AVE	HESPERIA, CA, 92345	San Bernardino
0398-465-03	19117 DANBURY AVE	HESPERIA	CA	92345	19117 DANBURY AVE	HESPERIA, CA, 92345	San Bernardino
0412-234-14	16425 EL CENTRO ST	HESPERIA	CA	92345	16425 EL CENTRO ST	HESPERIA, CA, 92345	San Bernardino
0398-491-07	19170 JUNE ST	HESPERIA	CA	92345	19170 JUNE ST	HESPERIA, CA, 92345	San Bernardino
0398-321-05	8158 MONO DR	HESPERIA	CA	92345	8158 MONO DR	HESPERIA, CA, 92345	San Bernardino

**Coolwater-Lugo Transmission Project
Ownership Mailing List for Notice of Amended Application for CPCN**

APN	MAILING ADDRESS	MAILING CITY	STATE	ZIP	SITUS ADDRESS	SITUS CITY/STATE/ZIP	SITUS COUNTY
0438-143-17	16417 GRAYSTONE AVE	NORWALK	CA	90650	9145 JUNIPER ST	APPLE VALLEY, CA, 92308	San Bernardino
0398-082-10	17108 SEAFORTH ST	HESPERIA	CA	92345	17108 SEAFORTH ST	HESPERIA, CA, 92345	San Bernardino
0398-471-12	8266 ROYCE AVE	HESPERIA	CA	92345	8266 ROYCE AVE	HESPERIA, CA, 92345	San Bernardino
0438-144-07	9193 SAGEBRUSH ST	APPLE VALLEY	CA	92308	9193 SAGEBRUSH ST	APPLE VALLEY, CA, 92308	San Bernardino
0398-294-17	18439 YUBA ST	HESPERIA	CA	92345	18439 YUBA ST	HESPERIA, CA, 92345	San Bernardino
0405-144-76	N/AVAIL	N/AVAIL	N/AVAIL	N/AVAIL	N/AVAIL	OAK HILLS, CA, 92344	San Bernardino
0398-319-06	18406 SEAFORTH ST	HESPERIA	CA	92345	18406 SEAFORTH ST	HESPERIA, CA, 92345	San Bernardino
0412-245-02	N/AVAIL	N/AVAIL	N/AVAIL	N/AVAIL	N/AVAIL	HESPERIA, CA, 92345	San Bernardino
0438-143-40	PO BOX 4262	ONTARIO	CA	91761	9198 SAGEBRUSH ST	APPLE VALLEY, CA, 92308	San Bernardino
0398-481-03	942 S SPRING MEADOW DR	WEST COVINA	CA	91791	8164 JULIE CT	HESPERIA, CA, 92345	San Bernardino
0398-292-14	803 OAK HOLLOW LN	ROCKWALL	TX	75087	N/AVAIL	HESPERIA, CA, 92345	San Bernardino
0412-311-10	7557 CHASE AVE	HESPERIA	CA	92345	7557 CHASE AVE	HESPERIA, CA, 92345	San Bernardino
0398-131-15	17660 SEAFORTH ST	HESPERIA	CA	92345	17660 SEAFORTH ST	HESPERIA, CA, 92345	San Bernardino
0398-152-13	7913 KINGSTON AVE	HESPERIA	CA	92345	7913 KINGSTON AVE	HESPERIA, CA, 92345	San Bernardino
0433-014-31	1255 E HIGHLAND AVE	SAN BERNARDINO	CA	92404	N/AVAIL	APPLE VALLEY, CA, 92308	San Bernardino
0398-227-06	604 WOODLAND CT	DUARTE	CA	91010	18161 REDDING ST	HESPERIA, CA, 92345	San Bernardino
0398-294-23	8125 PEACH AVE	HESPERIA	CA	92345	8125 PEACH AVE	HESPERIA, CA, 92345	San Bernardino
0405-861-12	3032 N PINEWOOD ST	ORANGE	CA	92865	15152 CROMDALE ST	HESPERIA, CA, 92345	San Bernardino
0398-227-08	18185 REDDING ST	HESPERIA	CA	92345	18185 REDDING ST	HESPERIA, CA, 92345	San Bernardino
0398-321-02	8182 MONO DR	HESPERIA	CA	92345	8182 MONO DR	HESPERIA, CA, 92345	San Bernardino
0398-108-06	17561 REDDING ST	HESPERIA	CA	92345	17561 REDDING ST	HESPERIA, CA, 92345	San Bernardino
0398-158-11	17761 REDDING ST	HESPERIA	CA	92345	17761 REDDING ST	HESPERIA, CA, 92345	San Bernardino
0435-104-59	5518 S RIM ST	WESTLAKE VILLAGE	CA	91362	N/AVAIL	APPLE VALLEY, CA, 92308	San Bernardino
0438-221-56	9786 CERRA VISTA ST	APPLE VALLEY	CA	92308	9783 CERRA VISTA ST	APPLE VALLEY, CA, 92308	San Bernardino
0398-157-02	5051 CASTLE RD	LA CANADA	CA	91011	17881 REDDING ST	HESPERIA, CA, 92345	San Bernardino
0438-281-11	19080 SENECA RD	APPLE VALLEY	CA	92307	N/AVAIL	APPLE VALLEY, CA, 92308	San Bernardino
0398-292-13	18585 YUBA ST	HESPERIA	CA	92345	18585 YUBA ST	HESPERIA, CA, 92345	San Bernardino
0438-144-17	23360 HASKELL VISTA LN	NEWHALL	CA	91321	N/AVAIL	APPLE VALLEY, CA, 92308	San Bernardino
0405-851-04	15055 KIMBALL ST	HESPERIA	CA	92345	15055 KIMBALL ST	HESPERIA, CA, 92345	San Bernardino
0398-465-13	10628 BEAK AVE	SOUTH GATE	CA	90280	19201 DANBURY AVE	HESPERIA, CA, 92345	San Bernardino
0412-242-01	324 6TH ST	MANHATTAN BEACH	CA	90266	16265 RANCHERO RD	HESPERIA, CA, 92345	San Bernardino
0433-014-25	8305 SCENIC DR	ROSEMEAD	CA	91770	8600 DEEP CREEK RD	APPLE VALLEY, CA, 92308	San Bernardino
0397-211-30	15810 BEAR VALLEY RD	VICTORVILLE	CA	92395	15598 VIA CARTAGENA ST	HESPERIA, CA, 92345	San Bernardino
0398-158-07	17699 REDDING ST	HESPERIA	CA	92345	17699 REDDING ST	HESPERIA, CA, 92345	San Bernardino
0398-131-17	14799 CHESTNUT ST	WESTMINSTER	CA	92683	N/AVAIL	HESPERIA, CA, 92345	San Bernardino
0398-294-20	8071 PEACH AVE	HESPERIA	CA	92345	8071 PEACH AVE	HESPERIA, CA, 92345	San Bernardino
0438-104-10	N/AVAIL	N/AVAIL	N/AVAIL	N/AVAIL	N/AVAIL	APPLE VALLEY, CA, 92308	San Bernardino
0398-131-16	14610 GREEN RIVER RD	VICTORVILLE	CA	92394	17644 SEAFORTH ST	HESPERIA, CA, 92345	San Bernardino

**Coolwater-Lugo Transmission Project
Ownership Mailing List for Notice of Amended Application for CPCN**

APN	MAILING ADDRESS	MAILING CITY	STATE	ZIP	SITUS ADDRESS	SITUS CITY/STATE/ZIP	SITUS COUNTY
0405-881-07	14986 CROMDALE ST	HESPERIA	CA	92345	14986 CROMDALE ST	HESPERIA, CA, 92345	San Bernardino
0398-321-06	12761 W WASHINGTON BLVD	LOS ANGELES	CA	90066	N/AVAIL	HESPERIA, CA, 92345	San Bernardino
0398-464-13	318 CHIMNEY SWEEP CIR	PEACHTREE CITY	GA	30269	19176 DANBURY AVE	HESPERIA, CA, 92345	San Bernardino
0398-173-02	18354 SEAFORTH ST	HESPERIA	CA	92345	18354 SEAFORTH ST	HESPERIA, CA, 92345	San Bernardino
0398-465-19	19259 DANBURY AVE	HESPERIA	CA	92345	19259 DANBURY AVE	HESPERIA, CA, 92345	San Bernardino
0398-304-25	3421 ZOLA ST	SAN DIEGO	CA	92106	TEMECULA AVE	HESPERIA, CA, 92345	San Bernardino
0398-292-11	18555 YUBA ST	HESPERIA	CA	92345	18555 YUBA ST	HESPERIA, CA, 92345	San Bernardino
0398-082-07	17154 SEAFORTH ST	HESPERIA	CA	92345	17154 SEAFORTH ST	HESPERIA, CA, 92345	San Bernardino
0412-241-25	16248 GREVILLEA ST	HESPERIA	CA	92345	16248 GREVILLEA ST	HESPERIA, CA, 92345	San Bernardino
0438-163-62	PO BOX 403543	HESPERIA	CA	92340	N/AVAIL	APPLE VALLEY, CA, 92308	San Bernardino
0433-013-32	8828 WINDY RD	APPLE VALLEY	CA	92308	8828 WINDY RD	APPLE VALLEY, CA, 92308	San Bernardino
0398-465-08	19161 DANBURY AVE	HESPERIA	CA	92345	19161 DANBURY AVE	HESPERIA, CA, 92345	San Bernardino
0398-082-24	17121 DANBURY AVE	HESPERIA	CA	92345	17121 DANBURY AVE	HESPERIA, CA, 92345	San Bernardino
0433-013-27	8814 SHAWNEE LN	APPLE VALLEY	CA	92308	8814 SHAWNEE LN	APPLE VALLEY, CA, 92308	San Bernardino
0398-227-02	18103 REDDING ST	HESPERIA	CA	92345	18103 REDDING ST	HESPERIA, CA, 92345	San Bernardino
0412-313-07	PO BOX 2287	FONTANA	CA	92334	7653 ALSTON AVE	HESPERIA, CA, 92345	San Bernardino
0412-312-13	7687 BANGOR AVE	HESPERIA	CA	92345	N/AVAIL	HESPERIA, CA, 92345	San Bernardino
0433-014-28	8626 DEEP CREEK RD	APPLE VALLEY	CA	92308	N/AVAIL	APPLE VALLEY, CA, 92308	San Bernardino
0412-241-16	16361 LARCH ST	HESPERIA	CA	92345	16361 LARCH ST	HESPERIA, CA, 92345	San Bernardino
0412-323-02	13772 GOLDENWEST ST	WESTMINSTER	CA	92683	7474 BANGOR AVE	HESPERIA, CA, 92345	San Bernardino
0412-172-09	10675 E AVE	HESPERIA	CA	92345	7437 3RD AVE	HESPERIA, CA, 92345	San Bernardino
0398-082-12	17080 SEAFORTH ST	HESPERIA	CA	92345	17080 SEAFORTH ST	HESPERIA, CA, 92345	San Bernardino
0405-253-21	14789 KIMBALL ST	HESPERIA	CA	92345	14789 KIMBALL ST	HESPERIA, CA, 92345	San Bernardino
0438-251-03	22027 ROUNDUP WAY	APPLE VALLEY	CA	92308	22027 ROUNDUP WAY	APPLE VALLEY, CA, 92308	San Bernardino
0398-292-18	8123 ARCADIA AVE	HESPERIA	CA	92345	8123 ARCADIA AVE	HESPERIA, CA, 92345	San Bernardino
0438-271-05	9561 HARLE AVE	ANAHEIM	CA	92804	N/AVAIL	APPLE VALLEY, CA, 92308	San Bernardino
0405-861-15	15188 CROMDALE ST	HESPERIA	CA	92345	15188 CROMDALE ST	HESPERIA, CA, 92345	San Bernardino
0398-227-07	8230 BEVERLY BLVD	LOS ANGELES	CA	90048	REDDING ST	HESPERIA, CA, 92345	San Bernardino
0398-131-02	17860 SEAFORTH ST	HESPERIA	CA	92345	17860 SEAFORTH ST	HESPERIA, CA, 92345	San Bernardino
0397-211-28	15566 VIA CARTAGENA ST	HESPERIA	CA	92345	15566 VIA CARTAGENA ST	HESPERIA, CA, 92345	San Bernardino
0398-108-04	17531 REDDING ST	HESPERIA	CA	92345	17531 REDDING ST	HESPERIA, CA, 92345	San Bernardino
0438-112-86	9515 FLORA VISTA RD	APPLE VALLEY	CA	92308	9515 FLORA VISTA RD	APPLE VALLEY, CA, 92308	San Bernardino
0412-241-10	16265 RODEO ST	HESPERIA	CA	92345	16265 RODEO ST	HESPERIA, CA, 92345	San Bernardino
0405-861-20	15840 DALSCOTE ST	HESPERIA	CA	92345	15256 CROMDALE ST	HESPERIA, CA, 92345	San Bernardino
0398-132-06	17930 SEAFORTH ST	HESPERIA	CA	92345	17930 SEAFORTH ST	HESPERIA, CA, 92345	San Bernardino
0398-465-10	10812 OAK ST	LOS ALAMITOS	CA	90720	19179 DANBURY AVE	HESPERIA, CA, 92345	San Bernardino
0405-851-01	15015 KIMBALL ST	HESPERIA	CA	92345	15015 KIMBALL ST	HESPERIA, CA, 92345	San Bernardino
0398-321-03	8176 MONO DR	HESPERIA	CA	92345	8176 MONO DR	HESPERIA, CA, 92345	San Bernardino

**Coolwater-Lugo Transmission Project
Ownership Mailing List for Notice of Amended Application for CPCN**

APN	MAILING ADDRESS	MAILING CITY	STATE	ZIP	SITUS ADDRESS	SITUS CITY/STATE/ZIP	SITUS COUNTY
0405-861-04	15257 KIMBALL ST	HESPERIA	CA	92345	15257 KIMBALL ST	HESPERIA, CA, 92345	San Bernardino
0412-312-19	7520 CHASE AVE	HESPERIA	CA	92345	7520 CHASE AVE	HESPERIA, CA, 92345	San Bernardino
0438-251-26	4734 W 10TH ST	LAWNDALE	CA	90260	9263 ALLEGRA VISTA ST	APPLE VALLEY, CA, 92308	San Bernardino
0438-073-09	13861 NITA RD	APPLE VALLEY	CA	92307	N/AVAIL	APPLE VALLEY, CA, 92308	San Bernardino
0398-471-20	19085 DANBURY AVE	HESPERIA	CA	92345	19085 DANBURY AVE	HESPERIA, CA, 92345	San Bernardino
0398-131-05	17812 SEAFORTH ST	HESPERIA	CA	92345	17812 SEAFORTH ST	HESPERIA, CA, 92345	San Bernardino
0438-271-09	13411 KIOWA RD	APPLE VALLEY	CA	92308	N/AVAIL	APPLE VALLEY, CA, 92308	San Bernardino
0398-082-02	17573 SEAFORTH ST	HESPERIA	CA	92345	17218 SEAFORTH ST	HESPERIA, CA, 92345	San Bernardino
0398-072-03	17590 SEAFORTH ST	HESPERIA	CA	92345	17590 SEAFORTH ST	HESPERIA, CA, 92345	San Bernardino
0398-227-05	PO BOX 49281	LOS ANGELES	CA	90049	18147 REDDING ST	HESPERIA, CA, 92345	San Bernardino
0433-013-18	END OF WINDY RD	APPLE VALLEY	CA	92307	N/AVAIL	APPLE VALLEY, CA, 92308	San Bernardino
0405-253-19	119 E LINFIED ST	GLENDORA	CA	91740	14763 KIMBALL ST	HESPERIA, CA, 92345	San Bernardino
0398-157-06	17947 REDDING ST	HESPERIA	CA	92345	17947 REDDING ST	HESPERIA, CA, 92345	San Bernardino
0433-013-17	END OF WINDY RD	APPLE VALLEY	CA	92307	SHAWNEE RD	APPLE VALLEY, CA, 92308	San Bernardino
0405-901-15	6990 FLORA CT	HESPERIA	CA	92345	6990 FLORA CT	HESPERIA, CA, 92345	San Bernardino
0398-463-11	18165 EUCALYPTUS ST	HESPERIA	CA	92345	19102 DANBURY AVE	HESPERIA, CA, 92345	San Bernardino
0438-163-06	PO BOX 400995	HESPERIA	CA	92340	N/AVAIL	APPLE VALLEY, CA, 92308	San Bernardino
0398-293-18	14390 CIVIC DR	VICTORVILLE	CA	92392	18580 YUBA ST	HESPERIA, CA, 92345	San Bernardino
0398-081-09	9433 JACOB LN	ROSEMEAD	CA	91770	16932 DANBURY AVE	HESPERIA, CA, 92345	San Bernardino
0398-081-11	PO BOX 65	ARTESIA	CA	90702	DANBURY AVE	HESPERIA, CA, 92345	San Bernardino
0412-314-16	7616 ALSTON AVE	HESPERIA	CA	92345	7616 ALSTON AVE	HESPERIA, CA, 92345	San Bernardino
0438-104-07	23245 OCOTILLO WAY	APPLE VALLEY	CA	92308	23245 OCOTILLO WAY	APPLE VALLEY, CA, 92308	San Bernardino
0398-491-11	19232 JUNE ST	HESPERIA	CA	92345	19232 JUNE ST	HESPERIA, CA, 92345	San Bernardino
0412-241-05	16201 RODEO ST	HESPERIA	CA	92345	16201 RODEO ST	HESPERIA, CA, 92345	San Bernardino
0412-311-13	2131 WALNUT GROVE AVE 2ND F	ROSEMEAD	CA	91770	N/AVAIL	HESPERIA, CA, 92345	San Bernardino
0433-014-29	1255 E HIGHLAND AVE	SAN BERNARDINO	CA	92404	N/AVAIL	APPLE VALLEY, CA, 92308	San Bernardino
0398-132-05	14648 RIVERSIDE RD	APPLE VALLEY	CA	92307	17946 SEAFORTH ST	HESPERIA, CA, 92345	San Bernardino
0405-441-25	2595 WAGON TRAIN LN	DIAMOND BAR	CA	91765	N/AVAIL	HESPERIA, CA, 92344	San Bernardino
0438-251-27	22027 ROUNDUP WAY	APPLE VALLEY	CA	92308	21935 ROUNDUP WAY	APPLE VALLEY, CA, 92308	San Bernardino
0438-104-12	9625 CERRA VISTA ST	APPLE VALLEY	CA	92308	9625 CERRA VISTA ST	APPLE VALLEY, CA, 92308	San Bernardino
0398-172-11	18140 SEAFORTH ST	HESPERIA	CA	92345	18140 SEAFORTH ST	HESPERIA, CA, 92345	San Bernardino
0398-031-40	15011 POPLAR ST	HESPERIA	CA	92345	N/AVAIL	HESPERIA, CA, 92345	San Bernardino
0398-465-11	14332 PLEASANT GLENN CT	HESPERIA	CA	92345	19189 DANBURY AVE	HESPERIA, CA, 92345	San Bernardino
0438-112-77	22758 RANCHO ST	APPLE VALLEY	CA	92308	22758 RANCHO ST	APPLE VALLEY, CA, 92308	San Bernardino
0412-313-25	PO BOX 401305	HESPERIA	CA	92340	7604 BANGOR AVE	HESPERIA, CA, 92345	San Bernardino
0405-851-10	15149 KIMBALL ST	HESPERIA	CA	92345	15149 KIMBALL ST	HESPERIA, CA, 92345	San Bernardino
0412-312-07	2131 WALNUT GROVE AVE 2ND F	ROSEMEAD	CA	91770	N/AVAIL	HESPERIA, CA, 92345	San Bernardino
0398-172-08	18180 SEAFORTH ST	HESPERIA	CA	92345	18180 SEAFORTH ST	HESPERIA, CA, 92345	San Bernardino

**Coolwater-Lugo Transmission Project
Ownership Mailing List for Notice of Amended Application for CPCN**

APN	MAILING ADDRESS	MAILING CITY	STATE	ZIP	SITUS ADDRESS	SITUS CITY/STATE/ZIP	SITUS COUNTY
0398-454-05	19054 DANBURY AVE	HESPERIA	CA	92345	19054 DANBURY AVE	HESPERIA, CA, 92345	San Bernardino
0398-491-03	19114 JUNE ST	HESPERIA	CA	92345	19114 JUNE ST	HESPERIA, CA, 92345	San Bernardino
0398-154-13	17806 REDDING ST	HESPERIA	CA	92345	17806 REDDING ST	HESPERIA, CA, 92345	San Bernardino
0398-071-09	17370 SEAFORTH ST	HESPERIA	CA	92345	17370 SEAFORTH ST	HESPERIA, CA, 92345	San Bernardino
0412-314-17	7590 ALSTON AVE	HESPERIA	CA	92345	7590 ALSTON AVE	HESPERIA, CA, 92345	San Bernardino
0398-095-11	7795 KENYON AVE	HESPERIA	CA	92345	7795 KENYON AVE	HESPERIA, CA, 92345	San Bernardino
0398-465-09	19171 DANBURY AVE	HESPERIA	CA	92345	19171 DANBURY AVE	HESPERIA, CA, 92345	San Bernardino
0398-481-09	8168 APRIL AVE	HESPERIA	CA	92345	8168 APRIL AVE	HESPERIA, CA, 92345	San Bernardino
0438-271-10	N/AVAIL	N/AVAIL	N/AVAIL	N/AVAIL	N/AVAIL	APPLE VALLEY, CA, 92308	San Bernardino
0438-073-14	30 ANITA DR	EAST HANOVER	NJ	7936	N/AVAIL	APPLE VALLEY, CA, 92308	San Bernardino
0398-471-21	19093 DANBURY AVE	HESPERIA	CA	92345	19093 DANBURY AVE	HESPERIA, CA, 92345	San Bernardino
0398-082-20	2023 ELEVADO RD	VISTA	CA	92084	7585 EARHART AVE	HESPERIA, CA, 92345	San Bernardino
0398-158-03	17639 REDDING ST	HESPERIA	CA	92345	17639 REDDING ST	HESPERIA, CA, 92345	San Bernardino
0398-294-15	7506 VALLE VISTA DR	RANCHO CUCAMONGA	CA	91730	N/AVAIL	HESPERIA, CA, 92345	San Bernardino
0398-326-12	18510 SEAFORTH ST	HESPERIA	CA	92345	18510 SEAFORTH ST	HESPERIA, CA, 92345	San Bernardino
0398-082-04	407 N ROBINWOOD DR	LOS ANGELES	CA	90049	SEAFORTH ST	HESPERIA, CA, 92345	San Bernardino
0438-144-05	PO BOX 9492	SAN BERNARDINO	CA	92427	9222 YUCCA ST	APPLE VALLEY, CA, 92308	San Bernardino
0405-144-34	14386 JENNY ST	OAK HILLS	CA	92344	14386 JENNY ST	OAK HILLS, CA, 92344	San Bernardino
0397-142-05	PO BOX 407000	HESPERIA	CA	92340	15887 RANCHERO RD	HESPERIA, CA, 92345	San Bernardino
0397-201-03	15477 VIA BAHIA ST	HESPERIA	CA	92345	15477 VIA BAHIA ST	HESPERIA, CA, 92345	San Bernardino
0398-172-01	2456 HOPE ST	HUNTINGTON PK	CA	90255	N/AVAIL	HESPERIA, CA, 92345	San Bernardino
0405-881-22	15098 CROMDALE ST	HESPERIA	CA	92345	15098 CROMDALE ST	HESPERIA, CA, 92345	San Bernardino
0412-172-05	3740 ELIZABETH ST	RIVERSIDE	CA	92506	N/AVAIL	HESPERIA, CA, 92345	San Bernardino
0398-158-01	7847 I AVE	HESPERIA	CA	92345	7847 I AVE	HESPERIA, CA, 92345	San Bernardino
0397-201-05	15445 VIA BAHIA ST	HESPERIA	CA	92345	15445 VIA BAHIA ST	HESPERIA, CA, 92345	San Bernardino
0405-881-18	7070 GARDEN CT	HESPERIA	CA	92345	7070 GARDEN CT	HESPERIA, CA, 92345	San Bernardino
0398-082-23	9733 DOWNEY AVE	DOWNEY	CA	90240	17109 DANBURY AVE	HESPERIA, CA, 92345	San Bernardino
0405-881-06	14972 CROMDALE ST	HESPERIA	CA	92345	14972 CROMDALE ST	HESPERIA, CA, 92345	San Bernardino
0397-211-01	7237 VIA QUINTANA ST	HESPERIA	CA	92345	7237 VIA QUINTANA ST	HESPERIA, CA, 92345	San Bernardino
0398-227-01	18087 REDDING ST	HESPERIA	CA	92345	18087 REDDING ST	HESPERIA, CA, 92345	San Bernardino
0412-172-10	PO BOX 407000	HESPERIA	CA	92340	RANCHO RD	HESPERIA, CA, 92345	San Bernardino
0438-073-07	13621 MONROE ST	WESTMINSTER	CA	92683	N/AVAIL	APPLE VALLEY, CA, 92308	San Bernardino
0412-241-19	16346 RANCHERO RD	HESPERIA	CA	92345	16346 RANCHERO RD	HESPERIA, CA, 92345	San Bernardino
0398-304-23	18729 TEMECULA AVE	HESPERIA	CA	92345	18729 TEMECULA AVE	HESPERIA, CA, 92345	San Bernardino
0412-312-14	7660 CHASE AVE	HESPERIA	CA	92345	7660 CHASE AVE	HESPERIA, CA, 92345	San Bernardino
0405-253-18	PO BOX 400666	HESPERIA	CA	92340	14753 KIMBALL ST	HESPERIA, CA, 92345	San Bernardino
0398-294-11	825 E 3RD ST	SAN BERNARDINO	CA	92415	N/AVAIL	HESPERIA, CA, 92345	San Bernardino
0412-313-22	PO BOX 400183	HESPERIA	CA	92340	7650 BANGOR AVE	HESPERIA, CA, 92345	San Bernardino

**Coolwater-Lugo Transmission Project
Ownership Mailing List for Notice of Amended Application for CPCN**

APN	MAILING ADDRESS	MAILING CITY	STATE	ZIP	SITUS ADDRESS	SITUS CITY/STATE/ZIP	SITUS COUNTY
0405-253-24	14821 KIMBALL ST	HESPERIA	CA	92345	14821 KIMBALL ST	HESPERIA, CA, 92345	San Bernardino
0433-014-35	1027 E 42ND ST	LOS ANGELES	CA	90011	19781 HINTON RD	APPLE VALLEY, CA, 92308	San Bernardino
0405-861-23	15286 CROMDALE ST	HESPERIA	CA	92345	15286 CROMDALE ST	HESPERIA, CA, 92345	San Bernardino
0438-251-09	9224 WICKIUP AVE	APPLE VALLEY	CA	92308	9224 WICKUP WAY	APPLE VALLEY, CA, 92308	San Bernardino
0405-144-29	6880 MAPLE AVE	HESPERIA	CA	92344	6880 MAPLE AVE	HESPERIA, CA, 92344	San Bernardino
0412-322-06	7474 ALSTON AVE	HESPERIA	CA	92345	7474 ALSTON AVE	HESPERIA, CA, 92345	San Bernardino
0438-281-14	N/AVAIL	N/AVAIL	N/AVAIL	N/AVAIL	N/AVAIL	APPLE VALLEY, CA, 92308	San Bernardino
0412-322-07	7468 ALSTON AVE	HESPERIA	CA	92345	7468 ALSTON AVE	HESPERIA, CA, 92345	San Bernardino
0397-292-04	15420 CROMDALE ST	HESPERIA	CA	92345	15420 CROMDALE ST	HESPERIA, CA, 92345	San Bernardino
0398-294-18	18449 YUBA ST	HESPERIA	CA	92345	18449 YUBA ST	HESPERIA, CA, 92345	San Bernardino
0438-281-15	N/AVAIL	N/AVAIL	N/AVAIL	N/AVAIL	N/AVAIL	APPLE VALLEY, CA, 92308	San Bernardino
0398-326-05	18612 SEAFORTH ST	HESPERIA	CA	92345	18612 SEAFORTH ST	HESPERIA, CA, 92345	San Bernardino
0398-491-05	19142 JUNE ST	HESPERIA	CA	92345	19142 JUNE ST	HESPERIA, CA, 92345	San Bernardino
0438-112-72	8941 ATLANTA AVE	HUNTINGTON BEACH	CA	92646	9467 PAUHASKA RD	APPLE VALLEY, CA, 92308	San Bernardino
0398-097-03	17245 REDDING ST	HESPERIA	CA	92345	17245 REDDING ST	HESPERIA, CA, 92345	San Bernardino
0398-292-16	17202 LYNN LN	HUNTINGTON BEACH	CA	92649	N/AVAIL	HESPERIA, CA, 92345	San Bernardino
0398-172-10	18152 SEAFORTH ST	HESPERIA	CA	92345	18152 SEAFORTH ST	HESPERIA, CA, 92345	San Bernardino
0398-294-16	1651 MONTANA RANCH RD	CORONA	CA	92882	N/AVAIL	HESPERIA, CA, 92345	San Bernardino
0397-211-27	122 A E FOOTHILL BLVD	ARCADIA	CA	91006	15550 VIA CARTAGENA ST	HESPERIA, CA, 92345	San Bernardino
0398-082-06	17168 SEAFORTH ST	HESPERIA	CA	92345	17168 SEAFORTH ST	HESPERIA, CA, 92345	San Bernardino
0398-491-08	19184 JUNE ST	HESPERIA	CA	92345	19184 JUNE ST	HESPERIA, CA, 92345	San Bernardino
0398-097-06	17299 REDDING ST	HESPERIA	CA	92345	17299 REDDING ST	HESPERIA, CA, 92345	San Bernardino
0438-281-05	N/AVAIL	N/AVAIL	N/AVAIL	N/AVAIL	N/AVAIL	APPLE VALLEY, CA, 92308	San Bernardino
0433-013-31	END OF WINDY RD	APPLE VALLEY	CA	92308	8886 SHAWNEE LN	APPLE VALLEY, CA, 92308	San Bernardino
0398-071-17	2924 BLUEBELL AVE	BREA	CA	92821	17254 SEAFORTH ST	HESPERIA, CA, 92345	San Bernardino
0398-131-12	17702 SEAFORTH ST	HESPERIA	CA	92345	17702 SEAFORTH ST	HESPERIA, CA, 92345	San Bernardino
0398-491-10	19216 JUNE ST	HESPERIA	CA	92345	19216 JUNE ST	HESPERIA, CA, 92345	San Bernardino
0438-154-76	PO BOX 968	BIG BEAR LAKE	CA	92315	N/AVAIL	APPLE VALLEY, CA, 92308	San Bernardino
0398-321-07	8142 MONO DR	HESPERIA	CA	92345	8142 MONO DR	HESPERIA, CA, 92345	San Bernardino
0398-172-15	18068 SEAFORTH ST	HESPERIA	CA	92345	18068 SEAFORTH ST	HESPERIA, CA, 92345	San Bernardino
0412-241-30	9272 TESUQUE RD	APPLE VALLEY	CA	92308	16186 GREVILLEA ST	HESPERIA, CA, 92345	San Bernardino
0405-851-07	15105 KIMBALL ST	HESPERIA	CA	92345	15105 KIMBALL ST	HESPERIA, CA, 92345	San Bernardino
0405-144-70	11014 WATERWOOD ST	APPLE VALLEY	CA	92308	6530 BANDICOOT TRL	OAK HILLS, CA, 92344	San Bernardino
0405-881-12	15064 CROMDALE ST	HESPERIA	CA	92345	15064 CROMDALE ST	HESPERIA, CA, 92345	San Bernardino
0438-271-27	9382 BUCKBRUSH RD	APPLE VALLEY	CA	92308	9382 BUCKBRUSH RD	APPLE VALLEY, CA, 92308	San Bernardino
0398-156-13	16011 MISSION ST	HESPERIA	CA	92345	7981 PAISLEY AVE	HESPERIA, CA, 92345	San Bernardino
0405-851-05	15071 KIMBALL ST	HESPERIA	CA	92345	15071 KIMBALL ST	HESPERIA, CA, 92345	San Bernardino
0397-211-02	15597 VIA BAHIA ST	HESPERIA	CA	92345	15597 VIA BAHIA ST	HESPERIA, CA, 92345	San Bernardino

**Coolwater-Lugo Transmission Project
Ownership Mailing List for Notice of Amended Application for CPCN**

APN	MAILING ADDRESS	MAILING CITY	STATE	ZIP	SITUS ADDRESS	SITUS CITY/STATE/ZIP	SITUS COUNTY
0398-154-12	17840 REDDING ST	HESPERIA	CA	92345	17840 REDDING ST	HESPERIA, CA, 92345	San Bernardino
0398-464-14	19166 DANBURY AVE	HESPERIA	CA	92345	19166 DANBURY AVE	HESPERIA, CA, 92345	San Bernardino
0397-201-08	7240 VIA ANTIQUA ST	HESPERIA	CA	92345	7240 VIA ANTIQUA ST	HESPERIA, CA, 92345	San Bernardino
0398-096-12	7824 MONTROSE AVE	HESPERIA	CA	92345	7824 MONTROSE AVE	HESPERIA, CA, 92345	San Bernardino
0412-241-03	6998 SUMMIT VALLEY RD	HESPERIA	CA	92345	16175 RODEO ST	HESPERIA, CA, 92345	San Bernardino
0405-881-01	7033 COTTONWOOD AVE	HESPERIA	CA	92345	7033 COTTONWOOD AVE	HESPERIA, CA, 92345	San Bernardino
0405-253-22	5752 MEINHARDT RD	WESTMINSTER	CA	92683	14803 KIMBALL ST	HESPERIA, CA, 92345	San Bernardino
0397-211-07	PO BOX 401505	HESPERIA	CA	92340	15517 VIA BAHIA ST	HESPERIA, CA, 92345	San Bernardino
0405-881-11	315 MAGNOLIA AVE	CORONA	CA	92879	15046 CROMDALE ST	HESPERIA, CA, 92345	San Bernardino
0398-321-08	8134 MONO DR	HESPERIA	CA	92345	8134 MONO DR	HESPERIA, CA, 92345	San Bernardino
0438-112-23	PO BOX 1059	APPLE VALLEY	CA	92307	9570 BELLA VISTA ST	APPLE VALLEY, CA, 92308	San Bernardino
0412-234-15	16445 EL CENTRO ST	HESPERIA	CA	92345	16445 EL CENTRO ST	HESPERIA, CA, 92345	San Bernardino
0438-112-87	9515 FLORA VISTA RD	APPLE VALLEY	CA	92308	9515 FLORA VISTA RD	APPLE VALLEY, CA, 92308	San Bernardino
0398-132-08	17898 SEAFORTH ST	HESPERIA	CA	92345	17898 SEAFORTH ST	HESPERIA, CA, 92345	San Bernardino
0412-312-08	7637 BANGOR AVE	HESPERIA	CA	92345	7637 BANGOR AVE	HESPERIA, CA, 92345	San Bernardino
0398-109-03	17435 REDDING ST	HESPERIA	CA	92345	17435 REDDING ST	HESPERIA, CA, 92345	San Bernardino
0438-271-29	13641 JOHN GLENN RD	APPLE VALLEY	CA	92308	22140 ROUNDUP WAY	APPLE VALLEY, CA, 92308	San Bernardino
0398-319-07	1397 N ERIN AVE	UPLAND	CA	91786	N/AVAIL	HESPERIA, CA, 92345	San Bernardino
0397-291-03	15459 VIA CARTAGENA ST	HESPERIA	CA	92345	15459 VIA CARTAGENA ST	HESPERIA, CA, 92345	San Bernardino
0412-323-01	825 E 3RD ST	SAN BERNARDINO	CA	92415	OLD RANCHERO RD	HESPERIA, CA, 92345	San Bernardino
0398-132-09	14799 CHESTNUT ST	WESTMINSTER	CA	92683	N/AVAIL	HESPERIA, CA, 92345	San Bernardino
0398-071-07	1916 ARMACOST AVE	LOS ANGELES	CA	90025	N/AVAIL	HESPERIA, CA, 92345	San Bernardino
0397-211-05	15549 VIA BAHIA ST	HESPERIA	CA	92345	15549 VIA BAHIA ST	HESPERIA, CA, 92345	San Bernardino
0433-013-19	701 ARDEN AVE	GLENDALE	CA	91202	N/AVAIL	APPLE VALLEY, CA, 92308	San Bernardino
0438-073-39	PO BOX 3732	APPLE VALLEY	CA	92307	9950 BELFAST RD	APPLE VALLEY, CA, 92308	San Bernardino
0398-097-07	17315 REDDING ST	HESPERIA	CA	92345	17315 REDDING ST	HESPERIA, CA, 92345	San Bernardino
0398-326-07	18570 SEAFORTH ST	HESPERIA	CA	92345	N/AVAIL	HESPERIA, CA, 92345	San Bernardino
0433-221-04	1317 W FOOTHILL BLVD	UPLAND	CA	91786	N/AVAIL	APPLE VALLEY, CA, 92308	San Bernardino
0398-221-13	7838 FUENTE AVE	OAK HILLS	CA	92344	8005 LANGDON AVE	HESPERIA, CA, 92345	San Bernardino
0405-881-08	15008 CROMDALE ST	HESPERIA	CA	92345	15008 CROMDALE ST	HESPERIA, CA, 92345	San Bernardino
0412-241-07	1142 S DIAMOND BAR BLVD	DIAMOND BAR	CA	91765	16233 RODEO ST	HESPERIA, CA, 92345	San Bernardino
0438-073-42	21037 WREN ST	APPLE VALLEY	CA	92308	10024 JAPATUL RD	APPLE VALLEY, CA, 92308	San Bernardino
0398-326-01	18660 SEAFORTH ST	HESPERIA	CA	92345	18660 SEAFORTH ST	HESPERIA, CA, 92345	San Bernardino
0397-291-02	15473 VIA CARTAGENA ST	HESPERIA	CA	92345	15473 VIA CARTAGENA ST	HESPERIA, CA, 92345	San Bernardino
0412-312-16	7630 CHASE AVE	HESPERIA	CA	92345	7630 CHASE AVE	HESPERIA, CA, 92345	San Bernardino
0405-891-15	7095 ALONDRA AVE	HESPERIA	CA	92345	7095 ALONDRA AVE	HESPERIA, CA, 92345	San Bernardino
0398-082-14	15245 FIR ST	HESPERIA	CA	92345	17054 SEAFORTH ST	HESPERIA, CA, 92345	San Bernardino
0405-441-23	18517 DEVLIN AVE	ARTESIA	CA	90701	N/AVAIL	HESPERIA, CA, 92344	San Bernardino

**Coolwater-Lugo Transmission Project
Ownership Mailing List for Notice of Amended Application for CPCN**

APN	MAILING ADDRESS	MAILING CITY	STATE	ZIP	SITUS ADDRESS	SITUS CITY/STATE/ZIP	SITUS COUNTY
0412-312-17	7548 CHASE AVE	HESPERIA	CA	92345	7548 CHASE AVE	HESPERIA, CA, 92345	San Bernardino
0405-891-26	10670 CIVIC CENTER DR	RANCHO CUCAMONGA	CA	91730	N/AVAIL	HESPERIA, CA, 92345	San Bernardino
0412-172-07	10675 E AVE	HESPERIA	CA	92345	7463 3RD AVE	HESPERIA, CA, 92345	San Bernardino
0438-251-04	9276 MESA VISTA ST	APPLE VALLEY	CA	92308	9276 MESA VISTA ST	APPLE VALLEY, CA, 92308	San Bernardino
0398-082-01	17232 SEAFORTH ST	HESPERIA	CA	92345	17232 SEAFORTH ST	HESPERIA, CA, 92345	San Bernardino
0398-304-12	12245 E HARVARD DR	AURORA	CO	80014	N/AVAIL	HESPERIA, CA, 92345	San Bernardino
0398-321-12	3637 SENTARA WAY	VIRGINIA BEACH	VA	23452	18716 SEAFORTH ST	HESPERIA, CA, 92345	San Bernardino
0412-313-28	PO BOX 456	CRESTLINE	CA	92325	7520 BANGOR AVE	HESPERIA, CA, 92345	San Bernardino
0412-241-33	16152 GREVILLEA ST	HESPERIA	CA	92345	16152 GREVILLEA ST	HESPERIA, CA, 92345	San Bernardino
0398-158-05	17671 REDDING ST	HESPERIA	CA	92345	17671 REDDING ST	HESPERIA, CA, 92345	San Bernardino
0438-104-11	1119 S MONTEZUMA WAY	WEST COVINA	CA	91791	9794 CERRA VISTA ST	APPLE VALLEY, CA, 92308	San Bernardino
0398-172-14	1884 W PASEO REFORMA N	TUCSON	AZ	85705	SEAFORTH ST	HESPERIA, CA, 92345	San Bernardino
0412-241-21	16320 OLD RANCHERO RD	HESPERIA	CA	92345	16320 OLD RANCHERO RD	HESPERIA, CA, 92345	San Bernardino
0398-471-01	8286 ARROWHEAD LAKE RD	HESPERIA	CA	92345	8286 ARROWHEAD LAKE RD	HESPERIA, CA, 92345	San Bernardino
0412-316-02	17358 CANDLEWOOD RD	APPLE VALLEY	CA	92307	7696 CHASE AVE	HESPERIA, CA, 92345	San Bernardino
0412-241-15	16351 LARCH ST	HESPERIA	CA	92345	16351 LARCH ST	HESPERIA, CA, 92345	San Bernardino
0438-144-08	13951 FALLING LEAF RD	APPLE VALLEY	CA	92307	9197 YUCCA ST	APPLE VALLEY, CA, 92308	San Bernardino
0397-142-01	N/AVAIL	N/AVAIL	N/AVAIL	N/AVAIL	N/AVAIL	HESPERIA, CA, 92345	San Bernardino
0405-144-27	14302 GREENWOOD ST	HESPERIA	CA	92344	14302 GREENWOOD ST	HESPERIA, CA, 92344	San Bernardino
0398-321-10	7598 KINGSTON AVE	HESPERIA	CA	92345	N/AVAIL	HESPERIA, CA, 92345	San Bernardino
0398-158-10	17745 REDDING ST	HESPERIA	CA	92345	17745 REDDING ST	HESPERIA, CA, 92345	San Bernardino
0398-227-13	18239 REDDING ST	HESPERIA	CA	92345	18239 REDDING ST	HESPERIA, CA, 92345	San Bernardino
0412-241-13	2108 BALSAM LAKE LN	LEAGUE CITY	TX	77573	N/AVAIL	HESPERIA, CA, 92345	San Bernardino
0438-231-02	9 HARCOURT	NEWPORT COAST	CA	92657	N/AVAIL	APPLE VALLEY, CA, 92308	San Bernardino
0398-082-26	1833 GRANT PARK LN	LOS ALTOS	CA	94024	REDDING ST	HESPERIA, CA, 92345	San Bernardino
0412-241-09	16255 RODEO ST	HESPERIA	CA	92345	16255 RODEO ST	HESPERIA, CA, 92345	San Bernardino
0398-109-04	17451 REDDING ST	HESPERIA	CA	92345	17451 REDDING ST	HESPERIA, CA, 92345	San Bernardino
0412-233-03	7565 C AVE	HESPERIA	CA	92345	7565 C AVE	HESPERIA, CA, 92345	San Bernardino
0398-097-13	17399 REDDING ST	HESPERIA	CA	92345	17399 REDDING ST	HESPERIA, CA, 92345	San Bernardino
0398-228-02	18043 REDDING ST	HESPERIA	CA	92345	18043 REDDING ST	HESPERIA, CA, 92345	San Bernardino
0412-311-16	18140 OXNARD ST	TARZANA	CA	91356	7701 CHASE AVE	HESPERIA, CA, 92345	San Bernardino
0412-311-12	6760 LURELANE AVE	HESPERIA	CA	92345	N/AVAIL	HESPERIA, CA, 92345	San Bernardino
0398-131-09	391 MONTCLAIR DR	BIG BEAR CITY	CA	92314	17748 SEAFORTH ST	HESPERIA, CA, 92345	San Bernardino
0405-144-92	14586 MULBERRY ST	HESPERIA	CA	92345	N/AVAIL	OAK HILLS, CA, 92344	San Bernardino
0412-241-06	16215 RODEO ST	HESPERIA	CA	92345	16215 RODEO ST	HESPERIA, CA, 92345	San Bernardino
0412-245-04	N/AVAIL	N/AVAIL	N/AVAIL	N/AVAIL	N/AVAIL	HESPERIA, CA, 92345	San Bernardino
0405-861-02	15225 KIMBALL ST	HESPERIA	CA	92345	15225 KIMBALL ST	HESPERIA, CA, 92345	San Bernardino
0398-294-21	8097 PEACH AVE	HESPERIA	CA	92345	8097 PEACH AVE	HESPERIA, CA, 92345	San Bernardino

**Coolwater-Lugo Transmission Project
Ownership Mailing List for Notice of Amended Application for CPCN**

APN	MAILING ADDRESS	MAILING CITY	STATE	ZIP	SITUS ADDRESS	SITUS CITY/STATE/ZIP	SITUS COUNTY
0398-072-07	17534 SEAFORTH ST	HESPERIA	CA	92345	17534 SEAFORTH ST	HESPERIA, CA, 92345	San Bernardino
0405-253-16	7029 REDWOOD AVE	HESPERIA	CA	92345	7029 REDWOOD AVE	HESPERIA, CA, 92345	San Bernardino
0397-211-26	15534 VIA CARTAGENA ST	HESPERIA	CA	92345	15534 VIA CARTAGENA ST	HESPERIA, CA, 92345	San Bernardino
0405-891-25	7088 ALONDRA AVE	HESPERIA	CA	92345	7088 ALONDRA AVE	HESPERIA, CA, 92345	San Bernardino
0398-304-31	825 E 3RD ST	SAN BERNARDINO	CA	92415	N/AVAIL	HESPERIA, CA, 92345	San Bernardino
0438-112-13	9549 CENTRAL RD	APPLE VALLEY	CA	92308	9549 CENTRAL RD	APPLE VALLEY, CA, 92308	San Bernardino
0398-465-22	18196 DANBURY AVE	HESPERIA	CA	92345	8336 GLENDALE AVE	HESPERIA, CA, 92345	San Bernardino
0412-312-03	PMB 265 15555 MAIN ST ST	HESPERIA	CA	92345	7505 BANGOR AVE	HESPERIA, CA, 92345	San Bernardino
0405-144-95	14288 JENNY ST	OAK HILLS	CA	92344	14288 JENNY ST	OAK HILLS, CA, 92344	San Bernardino
0405-253-09	14756 WILSON ST	HESPERIA	CA	92345	14756 WILSON ST	HESPERIA, CA, 92345	San Bernardino
0438-112-17	22831 OCOTILLO WAY	APPLE VALLEY	CA	92308	22831 OCOTILLO WAY	APPLE VALLEY, CA, 92308	San Bernardino
0405-851-34	15181 KIMBALL ST	HESPERIA	CA	92345	15181 KIMBALL ST	HESPERIA, CA, 92345	San Bernardino
0398-481-01	8150 JULIE CT	HESPERIA	CA	92345	8150 JULIE CT	HESPERIA, CA, 92345	San Bernardino
0405-144-20	20252 COLONIAL CIR	HUNTINGTON BEACH	CA	92646	N/AVAIL	OAK HILLS, CA, 92344	San Bernardino
0398-464-11	19196 DANBURY AVE	HESPERIA	CA	92345	19196 DANBURY AVE	HESPERIA, CA, 92345	San Bernardino
0435-104-20	17676 VIEW MOUNT CT	VICTORVILLE	CA	92395	N/AVAIL	APPLE VALLEY, CA, 92308	San Bernardino
0397-291-04	15443 VIA CARTAGENA ST	HESPERIA	CA	92345	15443 VIA CARTAGENA ST	HESPERIA, CA, 92345	San Bernardino
0398-072-06	17550 SEAFORTH ST	HESPERIA	CA	92345	17550 SEAFORTH ST	HESPERIA, CA, 92345	San Bernardino
0397-281-13	15557 VIA CARTAGENA ST	HESPERIA	CA	92345	15557 VIA CARTAGENA ST	HESPERIA, CA, 92345	San Bernardino
0405-253-27	14881 KIMBALL ST	HESPERIA	CA	92345	14881 KIMBALL ST	HESPERIA, CA, 92345	San Bernardino
0405-861-25	15310 CROMDALE ST	HESPERIA	CA	92345	15310 CROMDALE ST	HESPERIA, CA, 92345	San Bernardino
0398-151-13	7885 I AVE	HESPERIA	CA	92345	7885 I AVE	HESPERIA, CA, 92345	San Bernardino
0397-142-20	15786 ARBURY ST	HESPERIA	CA	92345	15786 ARBURY ST	HESPERIA, CA, 92345	San Bernardino
0412-311-11	1270 SIERRA MADRE BLVD	SAN MARINO	CA	91108	N/AVAIL	HESPERIA, CA, 92345	San Bernardino
0398-465-18	17771 EUCALYPTUS ST	HESPERIA	CA	92345	19249 DANBURY AVE	HESPERIA, CA, 92345	San Bernardino
0398-158-13	17789 REDDING ST	HESPERIA	CA	92345	17789 REDDING ST	HESPERIA, CA, 92345	San Bernardino
0398-227-12	18227 REDDING ST	HESPERIA	CA	92345	18227 REDDING ST	HESPERIA, CA, 92345	San Bernardino
0412-311-15	7687 CHASE AVE	HESPERIA	CA	92345	7687 CHASE AVE	HESPERIA, CA, 92345	San Bernardino
0412-312-09	7657 BANGOR AVE	HESPERIA	CA	92345	7657 BANGOR AVE	HESPERIA, CA, 92345	San Bernardino
0398-072-04	17580 SEAFORTH ST	HESPERIA	CA	92345	17580 SEAFORTH ST	HESPERIA, CA, 92345	San Bernardino
0438-251-07	9238 ALLEGRA VISTA ST	APPLE VALLEY	CA	92308	9238 ALLEGRA VISTA ST	APPLE VALLEY, CA, 92308	San Bernardino
0397-291-01	15481 VIA CARTAGENA ST	HESPERIA	CA	92345	15481 VIA CARTAGENA ST	HESPERIA, CA, 92345	San Bernardino
0398-465-15	25942 MATEL RD	VALENCIA	CA	91355	19223 DANBURY AVE	HESPERIA, CA, 92345	San Bernardino
0397-141-03	7234 7TH AVE	HESPERIA	CA	92345	7234 7TH AVE	HESPERIA, CA, 92345	San Bernardino
0405-253-14	2205 CANYON DR	COLTON	CA	92324	REDWOOD AVE	HESPERIA, CA, 92345	San Bernardino
0398-172-03	8354 ALSTON AVE	HESPERIA	CA	92345	18254 SEAFORTH ST	HESPERIA, CA, 92345	San Bernardino
0397-211-11	15634 VIA CARTAGENA ST	HESPERIA	CA	92345	15634 VIA CARTAGENA ST	HESPERIA, CA, 92345	San Bernardino
0397-291-12	15486 VIA CARTAGENA ST	HESPERIA	CA	92345	15486 VIA CARTAGENA ST	HESPERIA, CA, 92345	San Bernardino

**Coolwater-Lugo Transmission Project
Ownership Mailing List for Notice of Amended Application for CPCN**

APN	MAILING ADDRESS	MAILING CITY	STATE	ZIP	SITUS ADDRESS	SITUS CITY/STATE/ZIP	SITUS COUNTY
0438-112-75	22716 RANCHO ST	APPLE VALLEY	CA	92308	22716 RANCHO ST	APPLE VALLEY, CA, 92308	San Bernardino
0412-172-03	18723 BECHARD PL	CERRITOS	CA	90703	N/AVAIL	HESPERIA, CA, 92345	San Bernardino
0405-253-31	14766 WILSON ST	HESPERIA	CA	92345	14766 WILSON ST	HESPERIA, CA, 92345	San Bernardino
0405-441-28	N/AVAIL	N/AVAIL	N/AVAIL	N/AVAIL	N/AVAIL	HESPERIA, CA, 92344	San Bernardino
0438-231-01	11515 214TH ST	LAKEWOOD	CA	90715	N/AVAIL	APPLE VALLEY, CA, 92308	San Bernardino
0398-082-03	17204 SEAFORTH ST	HESPERIA	CA	92345	17204 SEAFORTH ST	HESPERIA, CA, 92345	San Bernardino
0433-014-32	1757 TAPO CANYON RD SVW-88	SIMI VALLEY	CA	93063	8510 DEEP CREEK RD	APPLE VALLEY, CA, 92308	San Bernardino
0412-313-01	N/AVAIL	N/AVAIL	N/AVAIL	N/AVAIL	N/AVAIL	HESPERIA, CA, 92345	San Bernardino
0405-253-06	11420 STUVELING ST	OAK HILLS	CA	92344	14810 WILSON ST	HESPERIA, CA, 92345	San Bernardino
0405-931-02	14533 FARMINGTON ST	HESPERIA	CA	92345	14533 FARMINGTON ST	HESPERIA, CA, 92345	San Bernardino
0398-454-07	PO BOX 400754	HESPERIA	CA	92340	19036 DANBURY AVE	HESPERIA, CA, 92345	San Bernardino
0397-291-10	15462 VIA CARTAGENA ST	HESPERIA	CA	92345	15462 VIA CARTAGENA ST	HESPERIA, CA, 92345	San Bernardino
0397-211-29	4234 LAKEWOOD DR	SAN BERNARDINO	CA	92407	15582 VIA CARTAGENA ST	HESPERIA, CA, 92345	San Bernardino
0397-292-05	15434 CROMDALE ST	HESPERIA	CA	92345	15434 CROMDALE ST	HESPERIA, CA, 92345	San Bernardino
0405-253-25	14847 KIMBALL ST	HESPERIA	CA	92345	14847 KIMBALL ST	HESPERIA, CA, 92345	San Bernardino
0398-106-13	7853 NEWHALL AVE	HESPERIA	CA	92345	7853 NEWHALL AVE	HESPERIA, CA, 92345	San Bernardino
0398-304-15	19718 TOMAHAWK RD	APPLE VALLEY	CA	92307	DANBURY AVE	HESPERIA, CA, 92345	San Bernardino
0412-313-26	N/AVAIL	N/AVAIL	N/AVAIL	N/AVAIL	N/AVAIL	HESPERIA, CA, 92345	San Bernardino
0398-465-21	15791 CASHWY ST	HESPERIA	CA	92345	19277 DANBURY AVE	HESPERIA, CA, 92345	San Bernardino
0398-319-05	18422 SEAFORTH ST	HESPERIA	CA	92345	18422 SEAFORTH ST	HESPERIA, CA, 92345	San Bernardino
0438-143-21	9060 JOSHUA ST	APPLE VALLEY	CA	92308	9060 JOSHUA ST	APPLE VALLEY, CA, 92308	San Bernardino
0397-292-08	12421 STUVELING ST	OAK HILLS	CA	92344	15450 CROMDALE ST	HESPERIA, CA, 92345	San Bernardino
0398-109-02	17421 REDDING ST	HESPERIA	CA	92345	17421 REDDING ST	HESPERIA, CA, 92345	San Bernardino
0405-144-57	13826 WHITEHAVEN ST	OAK HILLS	CA	92344	13826 WHITEHAVEN ST	OAK HILLS, CA, 92344	San Bernardino
0398-081-06	330 N ONTARE RD	SANTA BARBARA	CA	93105	N/AVAIL	HESPERIA, CA, 92345	San Bernardino
0398-293-17	18596 YUBA ST	HESPERIA	CA	92345	18596 YUBA ST	HESPERIA, CA, 92345	San Bernardino
0398-481-05	18988 MONO DR	HESPERIA	CA	92345	18988 MONO DR	HESPERIA, CA, 92345	San Bernardino
0438-144-03	25690 NEBLINA CT	VALENCIA	CA	91355	21677 ROUNDUP WAY	APPLE VALLEY, CA, 92308	San Bernardino
0438-154-67	6778 SARGENT LN	VENTURA	CA	93003	N/AVAIL	APPLE VALLEY, CA, 92308	San Bernardino
0398-172-02	18272 SEAFORTH ST	HESPERIA	CA	92345	18272 SEAFORTH ST	HESPERIA, CA, 92345	San Bernardino
0397-141-02	PO BOX 212	COVINA	CA	91723	7250 7TH AVE	HESPERIA, CA, 92345	San Bernardino
0398-072-08	17520 SEAFORTH ST	HESPERIA	CA	92345	17520 SEAFORTH ST	HESPERIA, CA, 92345	San Bernardino
0405-861-06	15289 KIMBALL ST	HESPERIA	CA	92345	15289 KIMBALL ST	HESPERIA, CA, 92345	San Bernardino
0398-172-07	18196 SEAFORTH ST	HESPERIA	CA	92345	18196 SEAFORTH ST	HESPERIA, CA, 92345	San Bernardino
0405-881-21	15082 CROMDALE ST	HESPERIA	CA	92345	15082 CROMDALE ST	HESPERIA, CA, 92345	San Bernardino
0398-227-10	18205 REDDING ST	HESPERIA	CA	92345	18205 REDDING ST	HESPERIA, CA, 92345	San Bernardino
0412-313-02	7575 ALSTON AVE	HESPERIA	CA	92345	7575 ALSTON AVE	HESPERIA, CA, 92345	San Bernardino
0398-094-07	9122 MUSCATEL RD	PHELAN	CA	92371	7794 KENYON AVE	HESPERIA, CA, 92345	San Bernardino

**Coolwater-Lugo Transmission Project
Ownership Mailing List for Notice of Amended Application for CPCN**

APN	MAILING ADDRESS	MAILING CITY	STATE	ZIP	SITUS ADDRESS	SITUS CITY/STATE/ZIP	SITUS COUNTY
0405-861-01	15211 KIMBALL ST	HESPERIA	CA	92345	15211 KIMBALL ST	HESPERIA, CA, 92345	San Bernardino
0398-304-19	8185 LASSEN AVE	HESPERIA	CA	92345	8185 LASSEN AVE	HESPERIA, CA, 92345	San Bernardino
0398-108-03	17515 REDDING ST	HESPERIA	CA	92345	17515 REDDING ST	HESPERIA, CA, 92345	San Bernardino
0398-158-12	17775 REDDING ST	HESPERIA	CA	92345	17775 REDDING ST	HESPERIA, CA, 92345	San Bernardino
0412-241-34	PO BOX 400108	HESPERIA	CA	92340	16140 GREVILLEA ST	HESPERIA, CA, 92345	San Bernardino
0405-851-02	15027 KIMBALL ST	HESPERIA	CA	92345	15027 KIMBALL ST	HESPERIA, CA, 92345	San Bernardino
0398-471-19	19075 DANBURY AVE	HESPERIA	CA	92345	19075 DANBURY AVE	HESPERIA, CA, 92345	San Bernardino
0438-301-13	N/AVAIL	N/AVAIL	N/AVAIL	N/AVAIL	N/AVAIL	APPLE VALLEY, CA, 92308	San Bernardino
0398-293-21	6229 BIRDIE DR	LA VERNE	CA	91750	N/AVAIL	HESPERIA, CA, 92345	San Bernardino
0405-253-10	14748 WILSON ST	HESPERIA	CA	92345	14748 WILSON ST	HESPERIA, CA, 92345	San Bernardino
0397-211-03	15581 VIA BAHIA ST	HESPERIA	CA	92345	15581 VIA BAHIA ST	HESPERIA, CA, 92345	San Bernardino
0398-071-18	14799 CHESTNUT ST	WESTMINSTER	CA	92683	N/AVAIL	HESPERIA, CA, 92345	San Bernardino
0438-251-22	13250 CORNELL CIR	VICTORVILLE	CA	92392	N/AVAIL	APPLE VALLEY, CA, 92308	San Bernardino
0412-322-09	7444 ALSTON AVE	HESPERIA	CA	92345	7444 ALSTON AVE	HESPERIA, CA, 92345	San Bernardino
0405-861-21	15268 CROMDALE ST	HESPERIA	CA	92345	15268 CROMDALE ST	HESPERIA, CA, 92345	San Bernardino
0398-132-03	12621 LOST TRAIL CT	RANCHO CUCAMONGA	CA	91739	17980 SEAFORTH ST	HESPERIA, CA, 92345	San Bernardino
0398-481-10	8172 APRIL AVE	HESPERIA	CA	92345	8172 APRIL AVE	HESPERIA, CA, 92345	San Bernardino
0405-144-36	1404 UPLAND HILLS DR S	UPLAND	CA	91786	TOPAZ AVE	HESPERIA, CA, 92344	San Bernardino
0438-301-14	10600 WILSHIRE BLVD	LOS ANGELES	CA	90024	9537 BUENA VISTA ST	APPLE VALLEY, CA, 92308	San Bernardino
0397-211-15	15688 VIA CARTAGENA ST	HESPERIA	CA	92345	15688 VIA CARTAGENA ST	HESPERIA, CA, 92345	San Bernardino
0398-294-38	5495 MANSION CT	LA VERNE	CA	91750	18424 YUBA ST	HESPERIA, CA, 92345	San Bernardino
0438-112-67	9474 FLORA VISTA RD	APPLE VALLEY	CA	92308	9747 FLORA VISTA RD	APPLE VALLEY, CA, 92308	San Bernardino
0398-172-06	PO BOX 402829	HESPERIA	CA	92340	18210 SEAFORTH ST	HESPERIA, CA, 92345	San Bernardino
0435-104-04	N/AVAIL	N/AVAIL	N/AVAIL	N/AVAIL	N/AVAIL	APPLE VALLEY, CA, 92308	San Bernardino
0398-131-04	6279 EAGLEMONT DR	FONTANA	CA	92336	17828 SEAFORTH ST	HESPERIA, CA, 92345	San Bernardino
0398-097-09	17345 REDDING ST	HESPERIA	CA	92345	17345 REDDING ST	HESPERIA, CA, 92345	San Bernardino
0438-112-25	9475 CENTRAL RD	APPLE VALLEY	CA	92308	9475 CENTRAL RD	APPLE VALLEY, CA, 92308	San Bernardino
0435-104-17	N/AVAIL	N/AVAIL	N/AVAIL	N/AVAIL	N/AVAIL	APPLE VALLEY, CA, 92308	San Bernardino
0398-227-24	8086 PEACH AVE	HESPERIA	CA	92345	8086 PEACH AVE	HESPERIA, CA, 92345	San Bernardino
0412-241-11	16275 RODEO ST	HESPERIA	CA	92345	16275 RODEO ST	HESPERIA, CA, 92345	San Bernardino
0398-471-06	8251 ARROWHEAD LAKE RD	HESPERIA	CA	92345	8251 ARROWHEAD LAKE RD	HESPERIA, CA, 92345	San Bernardino
0438-104-20	9557 BELLA VISTA ST	APPLE VALLEY	CA	92308	9557 BELLA VISTA ST	APPLE VALLEY, CA, 92308	San Bernardino
0398-107-12	17582 REDDING ST	HESPERIA	CA	92345	17582 REDDING ST	HESPERIA, CA, 92345	San Bernardino
0398-082-27	PO BOX 403688	HESPERIA	CA	92340	17169 REDDING ST	HESPERIA, CA, 92345	San Bernardino
0405-253-28	N/AVAIL	N/AVAIL	N/AVAIL	N/AVAIL	N/AVAIL	HESPERIA, CA, 92345	San Bernardino
0438-112-21	N/AVAIL	N/AVAIL	N/AVAIL	N/AVAIL	N/AVAIL	APPLE VALLEY, CA, 92308	San Bernardino
0412-242-02	7445 C AVE	HESPERIA	CA	92345	7445 C AVE	HESPERIA, CA, 92345	San Bernardino
0438-073-12	16299 PALM ST	HESPERIA	CA	92345	N/AVAIL	APPLE VALLEY, CA, 92308	San Bernardino

**Coolwater-Lugo Transmission Project
Ownership Mailing List for Notice of Amended Application for CPCN**

APN	MAILING ADDRESS	MAILING CITY	STATE	ZIP	SITUS ADDRESS	SITUS CITY/STATE/ZIP	SITUS COUNTY
0398-465-14	25942 MATEL RD	VALENCIA	CA	91355	19215 DANBURY AVE	HESPERIA, CA, 92345	San Bernardino
0398-304-18	9553 BROOKPARK RD	DOWNEY	CA	90240	8169 LASSEN AVE	HESPERIA, CA, 92345	San Bernardino
0405-861-27	15134 CROMDALE ST	HESPERIA	CA	92345	15134 CROMDALE ST	HESPERIA, CA, 92345	San Bernardino
0398-152-12	7924 SHERBORN AVE	HESPERIA	CA	92345	7924 SHERBORN AVE	HESPERIA, CA, 92345	San Bernardino
0412-245-07	15776 MAIN ST	HESPERIA	CA	92345	7334 SANTA FE AVE E	HESPERIA, CA, 92345	San Bernardino
0412-311-18	7665 CHASE AVE	HESPERIA	CA	92345	7665 CHASE AVE	HESPERIA, CA, 92345	San Bernardino
0433-013-16	END OF WINDY RD	APPLE VALLEY	CA	92307	N/AVAIL	APPLE VALLEY, CA, 92308	San Bernardino
0398-108-07	17575 REDDING ST	HESPERIA	CA	92345	17575 REDDING ST	HESPERIA, CA, 92345	San Bernardino
0438-112-12	N/AVAIL	N/AVAIL	N/AVAIL	N/AVAIL	N/AVAIL	APPLE VALLEY, CA, 92308	San Bernardino
0398-105-15	7848 NEWHALL AVE	HESPERIA	CA	92345	7848 NEWHALL AVE	HESPERIA, CA, 92345	San Bernardino
0397-201-04	15461 VIA BAHIA ST	HESPERIA	CA	92345	15461 VIA BAHIA ST	HESPERIA, CA, 92345	San Bernardino
0405-891-05	7045 COLIMA AVE	HESPERIA	CA	92345	15267 CROMDALE ST	HESPERIA, CA, 92345	San Bernardino
0398-071-15	17286 SEAFORTH ST	HESPERIA	CA	92345	17286 SEAFORTH ST	HESPERIA, CA, 92345	San Bernardino
0405-144-78	N/AVAIL	N/AVAIL	N/AVAIL	N/AVAIL	N/AVAIL	OAK HILLS, CA, 92344	San Bernardino
0398-071-08	17384 SEAFORTH ST	HESPERIA	CA	92345	17384 SEAFORTH ST	HESPERIA, CA, 92345	San Bernardino
0412-241-22	16310 OLD RANCHERO RD	HESPERIA	CA	92345	16310 RANCHERO RD	HESPERIA, CA, 92345	San Bernardino
0405-881-23	15110 CROMDALE ST	HESPERIA	CA	92345	15110 CROMDALE ST	HESPERIA, CA, 92345	San Bernardino
0398-082-21	14799 CHESTNUT ST	WESTMINSTER	CA	92683	N/AVAIL	HESPERIA, CA, 92345	San Bernardino
0405-881-19	8225 BUCHANAN CT	OAK HILLS	CA	92344	7021 FLORA CT	HESPERIA, CA, 92345	San Bernardino
0398-082-28	17185 REDDING ST	HESPERIA	CA	92345	17185 REDDING ST	HESPERIA, CA, 92345	San Bernardino
0398-471-05	PO BOX 2813	HESPERIA	CA	92345	8244 ARROWHEAD LAKE RD	HESPERIA, CA, 92345	San Bernardino
0438-154-59	8980 JUNIPER ST	APPLE VALLEY	CA	92308	N/AVAIL	APPLE VALLEY, CA, 92308	San Bernardino
0397-291-13	4466 BANNISTER AVE	EL MONTE	CA	91732	15502 VIA CARTAGENA ST	HESPERIA, CA, 92345	San Bernardino
0412-245-06	15776 MAIN ST	HESPERIA	CA	92345	N/AVAIL	HESPERIA, CA, 92345	San Bernardino
0398-131-14	17676 SEAFORTH ST	HESPERIA	CA	92345	17676 SEAFORTH ST	HESPERIA, CA, 92345	San Bernardino
0438-112-76	22732 RANCHO ST	APPLE VALLEY	CA	92308	22732 RANCHO ST	APPLE VALLEY, CA, 92308	San Bernardino
0398-481-13	135 N LOS ROBLES AVE	PASADENA	CA	91101	19076 JUNE ST	HESPERIA, CA, 92345	San Bernardino
0412-172-04	7419 3RD AVE	HESPERIA	CA	92345	7419 3RD AVE	HESPERIA, CA, 92345	San Bernardino
0412-322-01	7560 E AVE	HESPERIA	CA	92345	7560 E AVE	HESPERIA, CA, 92345	San Bernardino
0397-211-06	15533 VIA BAHIA ST	HESPERIA	CA	92345	15533 VIA BAHIA ST	HESPERIA, CA, 92345	San Bernardino
0398-292-19	12918 GALEWOOD ST	APPLE VALLEY	CA	92308	YUBA ST	HESPERIA, CA, 92345	San Bernardino
0412-313-06	7643 ALSTON AVE	HESPERIA	CA	92345	7643 ALSTON AVE	HESPERIA, CA, 92345	San Bernardino
0412-241-26	16236 GREVILLEA ST	HESPERIA	CA	92345	16236 GREVILLEA ST	HESPERIA, CA, 92345	San Bernardino
0397-142-21	15768 ARBURY ST	HESPERIA	CA	92345	15768 ARBURY ST	HESPERIA, CA, 92345	San Bernardino
0438-143-19	9060 JOSHUA ST	APPLE VALLEY	CA	92308	9085 JUNIPER ST	APPLE VALLEY, CA, 92308	San Bernardino
0398-292-04	8166 LASSEN AVE	HESPERIA	CA	92345	8166 LASSEN AVE	HESPERIA, CA, 92345	San Bernardino
0397-292-01	15393 KIMBALL ST	HESPERIA	CA	92345	15393 KIMBALL ST	HESPERIA, CA, 92345	San Bernardino
0398-171-01	14799 CHESTNUT ST	WESTMINSTER	CA	92683	N/AVAIL	HESPERIA, CA, 92345	San Bernardino

**Coolwater-Lugo Transmission Project
Ownership Mailing List for Notice of Amended Application for CPCN**

APN	MAILING ADDRESS	MAILING CITY	STATE	ZIP	SITUS ADDRESS	SITUS CITY/STATE/ZIP	SITUS COUNTY
0438-144-06	16322 CAJON ST	HESPERIA	CA	92345	9225 YUCCA ST	APPLE VALLEY, CA, 92308	San Bernardino
0438-143-26	8958 JOSHUA ST	APPLE VALLEY	CA	92308	9024 JOSHUA ST	APPLE VALLEY, CA, 92308	San Bernardino
0405-861-09	15335 KIMBALL ST	HESPERIA	CA	92345	15335 KIMBALL ST	HESPERIA, CA, 92345	San Bernardino
0398-304-20	13580 LARCH ST	OAK HILLS	CA	92344	LASSEN AVE	HESPERIA, CA, 92345	San Bernardino
0405-861-03	15239 KIMBALL ST	HESPERIA	CA	92345	15239 KIMBALL ST	HESPERIA, CA, 92345	San Bernardino
0412-241-32	16164 GREVILLEA ST	HESPERIA	CA	92345	16164 GREVILLEA ST	HESPERIA, CA, 92345	San Bernardino
0398-319-02	18466 SEAFORTH ST	HESPERIA	CA	92345	18466 SEAFORTH ST	HESPERIA, CA, 92345	San Bernardino
0398-109-01	17409 REDDING ST	HESPERIA	CA	92345	17409 REDDING ST	HESPERIA, CA, 92345	San Bernardino
0405-891-14	7098 ARBOR CT	HESPERIA	CA	92345	7098 ARBOR CT	HESPERIA, CA, 92345	San Bernardino
0405-841-01	15351 KIMBALL ST	HESPERIA	CA	92345	15351 KIMBALL ST	HESPERIA, CA, 92345	San Bernardino
0397-142-08	9700 7TH AVE	HESPERIA	CA	92345	N/AVAIL	HESPERIA, CA, 92345	San Bernardino
0412-241-23	16294 RANCHERO RD	HESPERIA	CA	92345	16294 RANCHERO RD	HESPERIA, CA, 92345	San Bernardino
0438-281-22	22050 ROUNDUP WAY	APPLE VALLEY	CA	92308	22050 ROUNDUP WAY	APPLE VALLEY, CA, 92308	San Bernardino
0405-253-11	6547 WHITEHAVEN CT	OAK HILLS	CA	92344	6924 WILSON WAY	HESPERIA, CA, 92345	San Bernardino
0398-321-13	18702 SEAFORTH ST	HESPERIA	CA	92345	18702 SEAFORTH ST	HESPERIA, CA, 92345	San Bernardino
0405-931-04	14567 FARMINGTON ST	HESPERIA	CA	92345	14567 FARMINGTON ST	HESPERIA, CA, 92345	San Bernardino
0412-312-11	7677 BANGOR AVE	HESPERIA	CA	92345	7677 BANGOR AVE	HESPERIA, CA, 92345	San Bernardino
0438-073-44	19885 SUNSET LN	APPLE VALLEY	CA	92308	N/AVAIL	APPLE VALLEY, CA, 92307	San Bernardino
0412-241-24	16268 GREVILLEA ST	HESPERIA	CA	92345	16268 GREVILLEA ST	HESPERIA, CA, 92345	San Bernardino
0398-292-10	7496 DAYTON AVE	HESPERIA	CA	92345	18539 YUBA ST	HESPERIA, CA, 92345	San Bernardino
0398-172-16	14799 CHESTNUT ST	WESTMINSTER	CA	92683	N/AVAIL	HESPERIA, CA, 92345	San Bernardino
0398-321-11	18734 SEAFORTH ST	HESPERIA	CA	92345	18734 SEAFORTH ST	HESPERIA, CA, 92345	San Bernardino
0397-292-02	15427 KIMBALL ST	HESPERIA	CA	92345	15427 KIMBALL ST	HESPERIA, CA, 92345	San Bernardino
0398-454-04	19066 DANBURY AVE	HESPERIA	CA	92345	19066 DANBURY AVE	HESPERIA, CA, 92345	San Bernardino
0438-271-20	9383 BUENA VISTA ST	APPLE VALLEY	CA	92308	9383 BUENA VISTA ST	APPLE VALLEY, CA, 92308	San Bernardino
0398-158-04	17655 REDDING ST	HESPERIA	CA	92345	17655 REDDING ST	HESPERIA, CA, 92345	San Bernardino
0438-163-61	PO BOX 403543	HESPERIA	CA	92340	N/AVAIL	APPLE VALLEY, CA, 92308	San Bernardino
0398-173-04	18324 SEAFORTH ST	HESPERIA	CA	92345	18324 SEAFORTH ST	HESPERIA, CA, 92345	San Bernardino
0405-851-08	15119 KIMBALL ST	HESPERIA	CA	92345	15119 KIMBALL ST	HESPERIA, CA, 92345	San Bernardino
0398-108-08	7876 I AVE	HESPERIA	CA	92345	7876 I AVE	HESPERIA, CA, 92345	San Bernardino
0397-142-07	9700 7TH AVE	HESPERIA	CA	92345	N/AVAIL	HESPERIA, CA, 92345	San Bernardino
0405-881-02	7011 COTTONWOOD AVE	HESPERIA	CA	92345	7011 COTTONWOOD AVE	HESPERIA, CA, 92345	San Bernardino
0438-112-47	9585 CENTRAL RD	APPLE VALLEY	CA	92308	9585 CENTRAL RD	APPLE VALLEY, CA, 92308	San Bernardino
0398-071-11	3875 KAMEHAMEHA RD	PRINCEVILLE	HI	96722	SEAFORTH ST	HESPERIA, CA, 92345	San Bernardino
0397-281-11	15527 VIA CARTAGENA ST	HESPERIA	CA	92345	15527 VIA CARTAGENA ST	HESPERIA, CA, 92345	San Bernardino
0412-312-20	7506 CHASE AVE	HESPERIA	CA	92345	7506 CHASE AVE	HESPERIA, CA, 92345	San Bernardino
0438-144-10	9140 YUCCA ST	APPLE VALLEY	CA	92308	9140 YUCCA ST	APPLE VALLEY, CA, 92308	San Bernardino
0398-173-03	18338 SEAFORTH ST	HESPERIA	CA	92345	18338 SEAFORTH ST	HESPERIA, CA, 92345	San Bernardino

**Coolwater-Lugo Transmission Project
Ownership Mailing List for Notice of Amended Application for CPCN**

APN	MAILING ADDRESS	MAILING CITY	STATE	ZIP	SITUS ADDRESS	SITUS CITY/STATE/ZIP	SITUS COUNTY
0398-151-12	7910 KINGSTON AVE	HESPERIA	CA	92345	7910 KINGSTON AVE	HESPERIA, CA, 92345	San Bernardino
0398-131-13	17690 SEAFORTH ST	HESPERIA	CA	92345	17690 SEAFORTH ST	HESPERIA, CA, 92345	San Bernardino
0412-314-22	21971 OCOTILLO WAY	APPLE VALLEY	CA	92308	7593 E AVE	HESPERIA, CA, 92345	San Bernardino
0397-142-02	PO BOX 407000	HESPERIA	CA	92340	15835 RANCHERO RD	HESPERIA, CA, 92345	San Bernardino
0412-314-20	N/AVAIL	N/AVAIL	N/AVAIL	N/AVAIL	N/AVAIL	HESPERIA, CA, 92345	San Bernardino
0398-471-03	PO BOX 402974	HESPERIA	CA	92340	8264 ARROWHEAD LAKE RD	HESPERIA, CA, 92345	San Bernardino
0398-131-08	17764 SEAFORTH ST	HESPERIA	CA	92345	17764 SEAFORTH ST	HESPERIA, CA, 92345	San Bernardino
0405-253-13	6919 REDWOOD AVE	HESPERIA	CA	92345	6919 REDWOOD AVE	HESPERIA, CA, 92345	San Bernardino
0438-112-14	9506 FLORA VISTA ST U & B	APPLE VALLEY	CA	92308	9506 FLORA VISTA RD	APPLE VALLEY, CA, 92308	San Bernardino
0412-322-02	N/AVAIL	N/AVAIL	N/AVAIL	N/AVAIL	N/AVAIL	HESPERIA, CA, 92345	San Bernardino
0438-281-12	1318 CONCORD AVE	FULLERTON	CA	92831	MESA VISTA RD	APPLE VALLEY, CA, 92308	San Bernardino
0412-241-14	8055 DINSDALE ST	DOWNEY	CA	90240	16343 LARCH ST	HESPERIA, CA, 92345	San Bernardino
0405-931-01	14511 FARMINGTON ST	HESPERIA	CA	92345	14511 FARMINGTON ST	HESPERIA, CA, 92345	San Bernardino
0412-162-01	7505 3RD AVE	HESPERIA	CA	92345	7505 3RD AVE	HESPERIA, CA, 92345	San Bernardino
0405-931-08	14510 TEAK CT	HESPERIA	CA	92345	14510 TEAK CT	HESPERIA, CA, 92345	San Bernardino
0398-105-16	7825 MONTROSE AVE	HESPERIA	CA	92345	7825 MONTROSE AVE	HESPERIA, CA, 92345	San Bernardino
0398-471-13	8268 ROYCE AVE	HESPERIA	CA	92345	8268 ROYCE AVE	HESPERIA, CA, 92345	San Bernardino
0398-158-06	17685 REDDING ST	HESPERIA	CA	92345	17685 REDDING ST	HESPERIA, CA, 92345	San Bernardino
0405-144-72	11014 WATERWOOD ST	APPLE VALLEY	CA	92308	6530 BANDICOOT TRL	OAK HILLS, CA, 92344	San Bernardino
0398-304-09	1804 14TH ST	SANTA MONICA	CA	90404	N/AVAIL	HESPERIA, CA, 92345	San Bernardino
0398-491-01	19088 JUNE ST	HESPERIA	CA	92345	19088 JUNE ST	HESPERIA, CA, 92345	San Bernardino
0435-106-27	PO BOX 1175	LAKESIDE	CA	92040	N/AVAIL	APPLE VALLEY, CA, 92308	San Bernardino
0433-014-33	2032 S HELEN AVE	ONTARIO	CA	91762	N/AVAIL	APPLE VALLEY, CA, 92308	San Bernardino
0433-013-15	END OF WINDY RD	APPLE VALLEY	CA	92308	N/AVAIL	APPLE VALLEY, CA, 92308	San Bernardino
0398-465-06	19143 DANBURY AVE	HESPERIA	CA	92345	19143 DANBURY AVE	HESPERIA, CA, 92345	San Bernardino
0438-104-03	1508 COLUMBINE WAY	UPLAND	CA	91786	N/AVAIL	APPLE VALLEY, CA, 92308	San Bernardino
0398-304-10	18845 DANBURY AVE	HESPERIA	CA	92345	18845 DANBURY AVE	HESPERIA, CA, 92345	San Bernardino
0405-144-31	14434 GREENWOOD ST	HESPERIA	CA	92344	14434 GREENWOOD ST	HESPERIA, CA, 92344	San Bernardino
0398-093-04	17168 REDDING ST	HESPERIA	CA	92345	17168 REDDING ST	HESPERIA, CA, 92345	San Bernardino
0397-211-14	15672 VIA CARTAGENA ST	HESPERIA	CA	92345	15672 VIA CARTAGENA ST	HESPERIA, CA, 92345	San Bernardino
0433-013-34	PO BOX 1543	SUN VALLEY	ID	83353	N/AVAIL	APPLE VALLEY, CA, 92308	San Bernardino
0398-227-03	PO BOX 401181	HESPERIA	CA	92340	18115 REDDING ST	HESPERIA, CA, 92345	San Bernardino
0398-292-15	18607 YUBA ST	HESPERIA	CA	92345	18607 YUBA ST	HESPERIA, CA, 92345	San Bernardino
0398-071-10	17356 SEAFORTH ST	HESPERIA	CA	92345	17356 SEAFORTH ST	HESPERIA, CA, 92345	San Bernardino
0412-312-10	1215 NORTHRIDGE RD	SANTA BARBARA	CA	93105	7667 BANGOR AVE	HESPERIA, CA, 92345	San Bernardino
0398-157-07	17963 REDDING ST	HESPERIA	CA	92345	17963 REDDING ST	HESPERIA, CA, 92345	San Bernardino
0398-107-13	7867 OXFORD AVE	HESPERIA	CA	92345	7867 OXFORD AVE	HESPERIA, CA, 92345	San Bernardino
0405-851-06	15087 KIMBALL ST	HESPERIA	CA	92345	15087 KIMBALL ST	HESPERIA, CA, 92345	San Bernardino

**Coolwater-Lugo Transmission Project
Ownership Mailing List for Notice of Amended Application for CPCN**

APN	MAILING ADDRESS	MAILING CITY	STATE	ZIP	SITUS ADDRESS	SITUS CITY/STATE/ZIP	SITUS COUNTY
0398-471-04	8254 ARROWHEAD LAKE RD	HESPERIA	CA	92345	8254 ARROWHEAD LAKE RD	HESPERIA, CA, 92345	San Bernardino
0398-223-12	26938 EASTVALE RD	PALOS VERDES PENINSULA	CA	90274	N/AVAIL	HESPERIA, CA, 92345	San Bernardino
0405-841-02	15365 KIMBALL ST	HESPERIA	CA	92345	15365 KIMBALL ST	HESPERIA, CA, 92345	San Bernardino
0398-491-04	33875 MILAN RD	WINCHESTER	CA	92596	19128 JUNE ST	HESPERIA, CA, 92345	San Bernardino
0397-201-01	PO BOX 400505	HESPERIA	CA	92340	15501 VIA BAHIA ST	HESPERIA, CA, 92345	San Bernardino
0405-253-04	14848 WILSON ST	HESPERIA	CA	92345	14848 WILSON ST	HESPERIA, CA, 92345	San Bernardino
0433-013-29	END OF WINDY RD	APPLE VALLEY	CA	92307	8824 SHAWNEE LN	APPLE VALLEY, CA, 92308	San Bernardino
0398-106-12	16471 ELM HAVEN DR	HACIENDA HEIGHTS	CA	91745	7868 OXFORD AVE	HESPERIA, CA, 92345	San Bernardino
0412-172-01	15702 DYNA ST	CORPUS CHRISTI	TX	78418	7405 3RD AVE	HESPERIA, CA, 92345	San Bernardino
0438-251-35	21828 OUTPOST RD	APPLE VALLEY	CA	92308	21828 OUTPOST RD	APPLE VALLEY, CA, 92308	San Bernardino
0397-292-06	7120 KIMBALL ST	HESPERIA	CA	92345	7120 KIMBALL ST	HESPERIA, CA, 92345	San Bernardino
0398-131-07	3463 STATE ST	SANTA BARBARA	CA	93105	N/AVAIL	HESPERIA, CA, 92345	San Bernardino
0398-319-01	18480 SEAFORTH ST	HESPERIA	CA	92345	18480 SEAFORTH ST	HESPERIA, CA, 92345	San Bernardino
0412-233-04	14344 JANINE DR	WHITTIER	CA	90605	N/AVAIL	HESPERIA, CA, 92345	San Bernardino
0398-491-02	19100 JUNE ST	HESPERIA	CA	92345	19100 JUNE ST	HESPERIA, CA, 92345	San Bernardino
0438-104-04	23145 OCOTILLO WAY	APPLE VALLEY	CA	92308	23145 OCOTILLO WAY	APPLE VALLEY, CA, 92308	San Bernardino
0438-073-16	11945 JAPATUL RD	APPLE VALLEY	CA	92308	9876 JAPATUL RD	APPLE VALLEY, CA, 92308	San Bernardino
0405-253-02	15153 FARMINGTON CT	HESPERIA	CA	92345	14878 WILSON ST	HESPERIA, CA, 92345	San Bernardino
0405-391-39	4516 30TH ST NW	WASHINGTON	DC	20008	N/AVAIL	HESPERIA, CA, 92345	San Bernardino
0412-172-08	N/AVAIL	N/AVAIL	N/AVAIL	N/AVAIL	N/AVAIL	HESPERIA, CA, 92345	San Bernardino
0397-142-16	15852 ARBURY ST	HESPERIA	CA	92345	15852 ARBURY ST	HESPERIA, CA, 92345	San Bernardino
0398-071-05	17432 SEAFORTH ST	HESPERIA	CA	92345	17432 SEAFORTH ST	HESPERIA, CA, 92345	San Bernardino
0398-132-07	17914 SEAFORTH ST	HESPERIA	CA	92345	17914 SEAFORTH ST	HESPERIA, CA, 92345	San Bernardino
0398-454-08	19026 DANBURY AVE	HESPERIA	CA	92345	19026 DANBURY AVE	HESPERIA, CA, 92345	San Bernardino
0398-171-03	1468 CONKLIN RD	MARSHFIELD	MO	65706	18038 SEAFORTH ST	HESPERIA, CA, 92345	San Bernardino
0412-241-12	16281 RODEO ST	HESPERIA	CA	92345	16281 RODEO ST	HESPERIA, CA, 92345	San Bernardino
0398-222-12	8036 MADERA AVE	HESPERIA	CA	92345	8036 MADERA AVE	HESPERIA, CA, 92345	San Bernardino
0398-292-03	20250 PAHUTE RD	APPLE VALLEY	CA	92308	LASSEN AVE	HESPERIA, CA, 92345	San Bernardino
0412-314-19	7570 ALSTON AVE	HESPERIA	CA	92345	7570 ALSTON AVE	HESPERIA, CA, 92345	San Bernardino
0405-931-20	6889 BANYAN AVE	HESPERIA	CA	92345	6889 BANYAN AVE	HESPERIA, CA, 92345	San Bernardino
0438-112-20	N/AVAIL	N/AVAIL	N/AVAIL	N/AVAIL	N/AVAIL	APPLE VALLEY, CA, 92308	San Bernardino
0405-253-20	14773 KIMBALL ST	HESPERIA	CA	92345	14773 KIMBALL ST	HESPERIA, CA, 92345	San Bernardino
0438-112-24	3477 GREENWOOD AVE	LOS ANGELES	CA	90066	9485 BELLA VISTA ST	APPLE VALLEY, CA, 92308	San Bernardino
0397-211-25	4466 BANNISTER AVE	EL MONTE	CA	91732	15518 VIA CARTAGENA ST	HESPERIA, CA, 92345	San Bernardino
0438-143-23	9076 SAGEBRUSH ST	APPLE VALLEY	CA	92308	9076 SAGEBRUSH ST	APPLE VALLEY, CA, 92308	San Bernardino
0398-097-02	17229 REDDING ST	HESPERIA	CA	92345	17229 REDDING ST	HESPERIA, CA, 92345	San Bernardino
0433-013-24	8858 KIOWA RD	APPLE VALLEY	CA	92308	8858 KIOWA RD	APPLE VALLEY, CA, 92308	San Bernardino
0405-881-10	15032 CROMDALE ST	HESPERIA	CA	92345	15032 CROMDALE ST	HESPERIA, CA, 92345	San Bernardino

**Coolwater-Lugo Transmission Project
Ownership Mailing List for Notice of Amended Application for CPCN**

APN	MAILING ADDRESS	MAILING CITY	STATE	ZIP	SITUS ADDRESS	SITUS CITY/STATE/ZIP	SITUS COUNTY
0398-082-13	15245 FIR ST	HESPERIA	CA	92345	SEAFORTH ST	HESPERIA, CA, 92345	San Bernardino
0438-073-13	PO BOX 8104	SOUTH LAKE TAHOE	CA	96158	N/AVAIL	APPLE VALLEY, CA, 92308	San Bernardino
0398-326-03	1830 SEAFORTH ST	HESPERIA	CA	92345	18630 SEAFORTH ST	HESPERIA, CA, 92345	San Bernardino
0435-104-23	28815 N SECO CANYON RD	SAUGUS	CA	91350	N/AVAIL	APPLE VALLEY, CA, 92308	San Bernardino
0405-253-17	21634 BEDFORD WAY	SANTA CLARITA	CA	91350	14737 KIMBALL ST	HESPERIA, CA, 92345	San Bernardino
0412-312-12	7687 BANGOR AVE	HESPERIA	CA	92345	7687 BANGOR AVE	HESPERIA, CA, 92345	San Bernardino
0405-861-22	15274 CROMDALE ST	HESPERIA	CA	92345	15274 CROMDALE ST	HESPERIA, CA, 92345	San Bernardino
0433-013-28	4140 ARCH DR	STUDIO CITY	CA	91604	N/AVAIL	APPLE VALLEY, CA, 92308	San Bernardino
0398-097-04	17261 REDDING ST	HESPERIA	CA	92345	17261 REDDING ST	HESPERIA, CA, 92345	San Bernardino
0398-463-10	14450 DALTON CT	VICTORVILLE	CA	92394	19112 DANBURY AVE	HESPERIA, CA, 92345	San Bernardino
0405-144-22	14870 FARMINGTON ST	HESPERIA	CA	92345	N/AVAIL	OAK HILLS, CA, 92344	San Bernardino
0405-253-26	14867 KIMBALL ST	HESPERIA	CA	92345	14867 KIMBALL ST	HESPERIA, CA, 92345	San Bernardino
0398-132-01	8230 BEVERLY BLVD	LOS ANGELES	CA	90048	17914 SEAFORTH ST	HESPERIA, CA, 92345	San Bernardino
0398-326-08	18570 SEAFORTH ST	HESPERIA	CA	92345	18570 SEAFORTH ST	HESPERIA, CA, 92345	San Bernardino
0397-211-24	15659 VIA CARTAGENA ST	HESPERIA	CA	92345	15659 VIA CARTAGENA ST	HESPERIA, CA, 92345	San Bernardino
0398-321-09	8128 MONO DR	HESPERIA	CA	92345	8128 MONO DR	HESPERIA, CA, 92345	San Bernardino
0412-313-16	825 E 3RD ST	SAN BERNARDINO	CA	92415	N/AVAIL	HESPERIA, CA, 92345	San Bernardino
0405-861-24	15298 CROMDALE ST	HESPERIA	CA	92345	15298 CROMDALE ST	HESPERIA, CA, 92345	San Bernardino
0412-241-28	16210 GREVILLEA ST	HESPERIA	CA	92345	16210 GREVILLEA ST	HESPERIA, CA, 92345	San Bernardino
0398-227-09	18195 REDDING ST	HESPERIA	CA	92345	18195 REDDING ST	HESPERIA, CA, 92345	San Bernardino
0398-471-02	8274 ARROWHEAD LAKE RD	HESPERIA	CA	92345	8274 ARROWHEAD LAKE RD	HESPERIA, CA, 92345	San Bernardino
0398-491-12	19266 JUNE ST	HESPERIA	CA	92345	19266 JUNE ST	HESPERIA, CA, 92345	San Bernardino
0398-097-10	5885 W 78TH ST	LOS ANGELES	CA	90045	N/AVAIL	HESPERIA, CA, 92345	San Bernardino
0438-154-74	PO BOX 3878	APPLE VALLEY	CA	92307	21020 SANTA ROSA RD	APPLE VALLEY, CA, 92308	San Bernardino
0412-322-08	7452 ALSTON AVE	HESPERIA	CA	92345	7452 ALSTON AVE	HESPERIA, CA, 92345	San Bernardino
0438-271-30	14486 CHOLLA DR	MORENO VALLEY	CA	92553	N/AVAIL	APPLE VALLEY, CA, 92308	San Bernardino
0398-157-04	17915 REDDING ST	HESPERIA	CA	92345	17915 REDDING ST	HESPERIA, CA, 92345	San Bernardino
0405-861-16	15196 CROMDALE ST	HESPERIA	CA	92345	15196 CROMDALE ST	HESPERIA, CA, 92345	San Bernardino
0405-881-03	14926 CROMDALE ST	HESPERIA	CA	92345	14926 CROMDALE ST	HESPERIA, CA, 92345	San Bernardino
0398-153-13	17946 REDDING ST	HESPERIA	CA	92345	N/AVAIL	HESPERIA, CA, 92345	San Bernardino
0398-222-13	18078 REDDING ST	HESPERIA	CA	92345	18078 REDDING ST	HESPERIA, CA, 92345	San Bernardino
0397-292-03	15408 CROMDALE ST	HESPERIA	CA	92345	15408 CROMDALE ST	HESPERIA, CA, 92345	San Bernardino
0438-281-16	12441 HESPERIA RD	VICTORVILLE	CA	92395	9339 NAVAJO RD	APPLE VALLEY, CA, 92308	San Bernardino
0412-313-24	12224 WHITEHAVEN ST	OAK HILLS	CA	92344	7624 BANGOR AVE	HESPERIA, CA, 92345	San Bernardino
0398-081-04	17050 DANBURY AVE	HESPERIA	CA	92345	17050 DANBURY AVE	HESPERIA, CA, 92345	San Bernardino
0412-312-15	7650 CHASE AVE	HESPERIA	CA	92345	7650 CHASE AVE	HESPERIA, CA, 92345	San Bernardino
0398-081-12	16912 DANBURY AVE	HESPERIA	CA	92345	16912 DANBURY AVE	HESPERIA, CA, 92345	San Bernardino
0397-201-07	15411 VIA BAHIA ST	HESPERIA	CA	92345	15411 VIA BAHIA ST	HESPERIA, CA, 92345	San Bernardino

**Coolwater-Lugo Transmission Project
Ownership Mailing List for Notice of Amended Application for CPCN**

APN	MAILING ADDRESS	MAILING CITY	STATE	ZIP	SITUS ADDRESS	SITUS CITY/STATE/ZIP	SITUS COUNTY
0398-172-12	18124 SEAFORTH ST	HESPERIA	CA	92345	18124 SEAFORTH ST	HESPERIA, CA, 92345	San Bernardino
0438-143-18	N/AVAIL	N/AVAIL	N/AVAIL	N/AVAIL	N/AVAIL	APPLE VALLEY, CA, 92308	San Bernardino
0405-391-41	4516 30TH ST NW	WASHINGTON	DC	20008	N/AVAIL	HESPERIA, CA, 92345	San Bernardino
0397-145-01	7223 7TH AVE	HESPERIA	CA	92345	7223 7TH AVE	HESPERIA, CA, 92345	San Bernardino
0405-851-09	15133 KIMBALL ST	HESPERIA	CA	92345	15133 KIMBALL ST	HESPERIA, CA, 92345	San Bernardino
0438-251-33	14308 CRONESE RD	APPLE VALLEY	CA	92307	9230 ALLEGRA VISTA ST	APPLE VALLEY, CA, 92308	San Bernardino
0405-851-35	15195 KIMBALL ST	HESPERIA	CA	92345	15195 KIMBALL ST	HESPERIA, CA, 92345	San Bernardino
0398-326-06	18709 CENTENNIAL ST	HESPERIA	CA	92345	SEAFORTH ST	HESPERIA, CA, 92345	San Bernardino
0398-228-03	18061 REDDING ST	HESPERIA	CA	92345	18061 REDDING ST	HESPERIA, CA, 92345	San Bernardino
0438-154-72	12875 TILDEN DR	RANCHO CUCAMONGA	CA	91739	20910 SANTA ROSA RD	APPLE VALLEY, CA, 92308	San Bernardino
0433-014-53	N/AVAIL	N/AVAIL	N/AVAIL	N/AVAIL	N/AVAIL	APPLE VALLEY, CA, 92308	San Bernardino
0438-104-05	1508 COLUMBINE WAY	UPLAND	CA	91786	N/AVAIL	APPLE VALLEY, CA, 92308	San Bernardino
0412-322-03	7496 ALSTON AVE	HESPERIA	CA	92345	7496 ALSTON AVE	HESPERIA, CA, 92345	San Bernardino
0398-304-21	8215 LASSEN AVE	HESPERIA	CA	92345	8215 LASSEN AVE	HESPERIA, CA, 92345	San Bernardino
0398-481-11	19048 JUNE ST	HESPERIA	CA	92345	19048 JUNE ST	HESPERIA, CA, 92345	San Bernardino
0398-156-12	8000 LANGDON AVE	HESPERIA	CA	92345	8000 LANGDON AVE	HESPERIA, CA, 92345	San Bernardino
0397-201-09	7252 VIA ANTIQUA ST	HESPERIA	CA	92345	7252 VIA ANTIQUA ST	HESPERIA, CA, 92345	San Bernardino
0405-861-17	15212 CROMDALE ST	HESPERIA	CA	92345	15212 CROMDALE ST	HESPERIA, CA, 92345	San Bernardino
0398-491-09	19200 JUNE ST	HESPERIA	CA	92345	19200 JUNE ST	HESPERIA, CA, 92345	San Bernardino
0398-326-11	18522 SEAFORTH ST	HESPERIA	CA	92345	18522 SEAFORTH ST	HESPERIA, CA, 92345	San Bernardino
0412-322-11	43203 NE GRIST MILL RD	WOODLAND	WA	98674	ALSTON AVE	HESPERIA, CA, 92345	San Bernardino
0398-172-09	18166 SEAFORTH ST	HESPERIA	CA	92345	18166 SEAFORTH ST	HESPERIA, CA, 92345	San Bernardino
0433-014-34	19815 HINTON RD	APPLE VALLEY	CA	92308	19875 CASTLE ROCK RD	APPLE VALLEY, CA, 92308	San Bernardino
0398-158-02	817 MUSCATEL AVE	ROSEMEAD	CA	91770	N/AVAIL	HESPERIA, CA, 92345	San Bernardino
0433-014-49	PO BOX 10272	FORT IRWIN	CA	92310	8275 GLENDALE AVE	HESPERIA, CA, 92345	San Bernardino
0438-154-73	12807 RANCHERO RD	OAK HILLS	CA	92344	20960 SANTA ROSA RD	APPLE VALLEY, CA, 92308	San Bernardino
0397-142-22	245 HILLSIDE RD	SOUTH PASADENA	CA	91030	15752 ARBURY ST	HESPERIA, CA, 92345	San Bernardino
0398-173-01	18370 SEAFORTH ST	HESPERIA	CA	92345	18370 SEAFORTH ST	HESPERIA, CA, 92345	San Bernardino
0398-071-14	17298 SEAFORTH ST	HESPERIA	CA	92345	17298 SEAFORTH ST	HESPERIA, CA, 92345	San Bernardino
0398-096-13	7807 LYONS AVE	HESPERIA	CA	92345	7807 LYONS AVE	HESPERIA, CA, 92345	San Bernardino
0398-304-22	PO BOX 403668	HESPERIA	CA	92340	18715 TEMECULA AVE	HESPERIA, CA, 92345	San Bernardino
0398-465-07	38709 31ST ST E	PALMDALE	CA	93550	19153 DANBURY AVE	HESPERIA, CA, 92345	San Bernardino
0405-841-03	15381 KIMBALL ST	HESPERIA	CA	92345	15381 KIMBALL ST	HESPERIA, CA, 92345	San Bernardino
0438-231-47	11515 214TH ST	LAKELWOOD	CA	90715	N/AVAIL	APPLE VALLEY, CA, 92308	San Bernardino
0398-081-08	16944 DANBURY AVE	HESPERIA	CA	92345	16944 DANBURY AVE	HESPERIA, CA, 92345	San Bernardino
0438-073-06	11011 TUJUNGA RD	APPLE VALLEY	CA	92308	N/AVAIL	APPLE VALLEY, CA, 92308	San Bernardino
0398-326-04	18620 SEAFORTH ST	HESPERIA	CA	92345	18620 SEAFORTH ST	HESPERIA, CA, 92345	San Bernardino
0398-081-03	17060 DANBURY AVE	HESPERIA	CA	92345	17060 DANBURY AVE	HESPERIA, CA, 92345	San Bernardino

**Coolwater-Lugo Transmission Project
Ownership Mailing List for Notice of Amended Application for CPCN**

APN	MAILING ADDRESS	MAILING CITY	STATE	ZIP	SITUS ADDRESS	SITUS CITY/STATE/ZIP	SITUS COUNTY
0438-271-26	9375 MESA VISTA RD	APPLE VALLEY	CA	92307	9375 MESA VISTA ST	APPLE VALLEY, CA, 92308	San Bernardino
0398-304-13	12245 E HARVARD DR	AURORA	CO	80014	DANBURY AVE	HESPERIA, CA, 92345	San Bernardino
0412-233-01	4066 SUMMIT VALLEY RD	HESPERIA	CA	92345	7545 C AVE	HESPERIA, CA, 92345	San Bernardino
0412-241-29	PO BOX 1644	BEVERLY HILLS	CA	90213	N/AVAIL	HESPERIA, CA, 92345	San Bernardino
0398-157-05	17931 REDDING ST	HESPERIA	CA	92345	17931 REDDING ST	HESPERIA, CA, 92345	San Bernardino
0438-104-06	23221 OCOTILLO WAY	APPLE VALLEY	CA	92308	23221 OCOTILLO WAY	APPLE VALLEY, CA, 92308	San Bernardino
0397-211-13	10227 JENNY ST	OAK HILLS	CA	92344	15658 VIA CARTAGENA ST	HESPERIA, CA, 92345	San Bernardino
0405-144-30	5828 BISHOP CT	RANCHO CUCAMONGA	CA	91737	GREENWOOD ST	HESPERIA, CA, 92344	San Bernardino
0398-293-20	18550 YUBA ST	HESPERIA	CA	92345	18550 YUBA ST	HESPERIA, CA, 92345	San Bernardino
0398-082-11	17090 SEAFORTH ST	HESPERIA	CA	92345	17090 SEAFORTH ST	HESPERIA, CA, 92345	San Bernardino
0438-143-24	9021 JOSHUA ST	APPLE VALLEY	CA	92308	9021 JOSHUA ST	APPLE VALLEY, CA, 92308	San Bernardino
0438-112-49	9503 FLORA VISTA RD	APPLE VALLEY	CA	92308	9503 FLORA VISTA RD	APPLE VALLEY, CA, 92308	San Bernardino
0398-471-14	8263 ROYCE AVE	HESPERIA	CA	92345	8263 ROYCE AVE	HESPERIA, CA, 92345	San Bernardino
0438-251-23	9171 MANHASSET RD	APPLE VALLEY	CA	92308	9223 CHOLLA RD	APPLE VALLEY, CA, 92308	San Bernardino
0412-311-17	7671 CHASE AVE	HESPERIA	CA	92345	7671 CHASE AVE	HESPERIA, CA, 92345	San Bernardino
0412-322-05	7488 ALSTON AVE	HESPERIA	CA	92345	7488 ALSTON AVE	HESPERIA, CA, 92345	San Bernardino
0398-471-09	18999 DANBURY AVE	HESPERIA	CA	92345	18999 DANBURY AVE	HESPERIA, CA, 92345	San Bernardino
0398-172-04	18240 SEAFORTH ST	HESPERIA	CA	92345	18240 SEAFORTH ST	HESPERIA, CA, 92345	San Bernardino
0397-291-11	15478 VIA CARTAGENA ST	HESPERIA	CA	92345	15478 VIA CARTAGENA ST	HESPERIA, CA, 92345	San Bernardino
0398-294-19	14799 CHESTNUT ST	WESTMINSTER	CA	92683	N/AVAIL	HESPERIA, CA, 92345	San Bernardino
0398-221-12	18078 REDDING ST	HESPERIA	CA	92345	8020 EL CERRITO AVE	HESPERIA, CA, 92345	San Bernardino
0405-881-14	7071 GARDEN CT	HESPERIA	CA	92345	7071 GARDEN CT	HESPERIA, CA, 92345	San Bernardino
0412-313-29	7490 BANGOR AVE	HESPERIA	CA	92345	7490 BANGOR AVE	HESPERIA, CA, 92345	San Bernardino
0412-312-27	5524 RICH HILL WAY	YORBA LINDA	CA	92886	BANGOR AVE	HESPERIA, CA, 92345	San Bernardino
0398-304-16	19718 TOMAHAWK RD	APPLE VALLEY	CA	92307	N/AVAIL	HESPERIA, CA, 92345	San Bernardino
0438-154-84	PO BOX 1236	MARANA	AZ	85653	N/AVAIL	APPLE VALLEY, CA, 92308	San Bernardino
0398-081-10	16926 DANBURY AVE	HESPERIA	CA	92345	16926 DANBURY AVE	HESPERIA, CA, 92345	San Bernardino
0398-131-11	1042 N MOUNTAIN B-500	UPLAND	CA	91786	17716 SEAFORTH ST	HESPERIA, CA, 92345	San Bernardino
0398-454-06	19044 DANBURY AVE	HESPERIA	CA	92345	19044 DANBURY AVE	HESPERIA, CA, 92345	San Bernardino
0398-172-05	18224 SEAFORTH ST	HESPERIA	CA	92345	18224 SEAFORTH ST	HESPERIA, CA, 92345	San Bernardino
0398-227-25	8068 PEACH AVE	HESPERIA	CA	92345	8068 PEACH AVE	HESPERIA, CA, 92345	San Bernardino
0405-144-93	6749 OPAL AVE	OAK HILLS	CA	92344	6749 OPAL AVE	OAK HILLS, CA, 92344	San Bernardino
0435-104-25	244 S ASHTON AVE	MILLBRAE	CA	94030	N/AVAIL	APPLE VALLEY, CA, 92308	San Bernardino
0398-094-08	PO BOX 402113-9234	HESPERIA	CA	92340	17222 REDDING ST	HESPERIA, CA, 92345	San Bernardino
0398-454-01	17585 LEMON ST	HESPERIA	CA	92345	19096 DANBURY AVE	HESPERIA, CA, 92345	San Bernardino
0438-221-57	16322 CAJON ST	HESPERIA	CA	92345	N/AVAIL	APPLE VALLEY, CA, 92308	San Bernardino
0438-281-21	22030 ROUNDUP WAY	APPLE VALLEY	CA	92308	22030 ROUNDUP WAY	APPLE VALLEY, CA, 92308	San Bernardino
0398-071-02	15526 LOOKOUT RD	APPLE VALLEY	CA	92307	17474 SEAFORTH ST	HESPERIA, CA, 92345	San Bernardino

**Coolwater-Lugo Transmission Project
Ownership Mailing List for Notice of Amended Application for CPCN**

APN	MAILING ADDRESS	MAILING CITY	STATE	ZIP	SITUS ADDRESS	SITUS CITY/STATE/ZIP	SITUS COUNTY
0398-072-02	1249 S DIAMOND BAR BLVD	DIAMOND BAR	CA	91765	17598 SEAFORTH ST	HESPERIA, CA, 92345	San Bernardino
0438-112-18	9674 BELLA VISTA ST	APPLE VALLEY	CA	92308	9674 BELLA VISTA ST	APPLE VALLEY, CA, 92308	San Bernardino
0438-104-08	23273 OCOTILLO WAY	APPLE VALLEY	CA	92308	23273 OCOTILLO WAY	APPLE VALLEY, CA, 92308	San Bernardino
0398-131-06	11863 8TH AVE	HESPERIA	CA	92345	17796 SEAFORTH ST	HESPERIA, CA, 92345	San Bernardino
0398-158-09	11650 215TH ST	LAKEWOOD	CA	90715	17731 REDDING ST	HESPERIA, CA, 92345	San Bernardino
0438-221-42	23290 OCOTILLO WAY	APPLE VALLEY	CA	92308	23290 OCOTILLO WAY	APPLE VALLEY, CA, 92308	San Bernardino
0412-241-02	16155 RODEO ST	HESPERIA	CA	92345	16155 RODEO ST	HESPERIA, CA, 92345	San Bernardino
0405-144-23	1821 WAPATO RD	APPLE VALLEY	CA	92308	10284 REDWOOD AVE	HESPERIA, CA, 92345	San Bernardino
0397-201-06	19040 APPALOOSA RD	APPLE VALLEY	CA	92308	15427 VIA BAHIA ST	HESPERIA, CA, 92345	San Bernardino
0398-082-05	407 N ROBINWOOD DR	LOS ANGELES	CA	90049	SEAFORTH ST	HESPERIA, CA, 92345	San Bernardino
0438-271-07	9425 BUENA VISTA ST	APPLE VALLEY	CA	92308	9425 BUENA VISTA ST	APPLE VALLEY, CA, 92308	San Bernardino
0398-463-08	15191 WILLOW ST	HESPERIA	CA	92345	19128 DANBURY AVE	HESPERIA, CA, 92345	San Bernardino
0438-154-65	9079 CANDELIGHT ST	APPLE VALLEY	CA	92308	9079 CANDELIGHT ST	APPLE VALLEY, CA, 92308	San Bernardino
0397-281-14	15579 VIA CARTAGENA ST	HESPERIA	CA	92345	15579 VIA CARTAGENA ST	HESPERIA, CA, 92345	San Bernardino
0438-271-11	2960 W VALLEY BLVD	ALHAMBRA	CA	91803	9370 BUENA VISTA ST	APPLE VALLEY, CA, 92308	San Bernardino
0398-071-04	17446 SEAFORTH ST	HESPERIA	CA	92345	17446 SEAFORTH ST	HESPERIA, CA, 92345	San Bernardino
0398-465-01	15810 EL CENTRO ST	HESPERIA	CA	92345	19101 DANBURY AVE	HESPERIA, CA, 92345	San Bernardino
0398-082-15	17050 SEAFORTH ST	HESPERIA	CA	92345	17050 SEAFORTH ST	HESPERIA, CA, 92345	San Bernardino
0397-142-06	15776 MAIN ST	HESPERIA	CA	92345	N/AVAIL	HESPERIA, CA, 92345	San Bernardino
0398-131-10	4166 LEXINGTON AVE	CHINO	CA	91710	17732 SEAFORTH ST	HESPERIA, CA, 92345	San Bernardino
0397-201-19	15418 KIMBALL ST	HESPERIA	CA	92345	15418 KIMBALL ST	HESPERIA, CA, 92345	San Bernardino
0397-292-07	15442 CROMDALE ST	HESPERIA	CA	92345	15442 CROMDALE ST	HESPERIA, CA, 92345	San Bernardino
0398-171-02	7918 EL CERRITO AVE	HESPERIA	CA	92345	7918 EL CERRITO AVE	HESPERIA, CA, 92345	San Bernardino
0398-155-12	7069 OPAL AVE	OAK HILLS	CA	92344	7980 PAISLEY AVE	HESPERIA, CA, 92345	San Bernardino
0398-071-01	17488 SEAFORTH ST	HESPERIA	CA	92345	17488 SEAFORTH ST	HESPERIA, CA, 92345	San Bernardino
0438-104-09	23289 OCOTILLO WAY	APPLE VALLEY	CA	92308	23289 OCOTILLO WAY	APPLE VALLEY, CA, 92308	San Bernardino
0405-253-01	14890 WILSON ST	HESPERIA	CA	92345	14890 WILSON ST	HESPERIA, CA, 92345	San Bernardino
0405-253-03	14868 WILSON ST	HESPERIA	CA	92345	14868 WILSON ST	HESPERIA, CA, 92345	San Bernardino
0405-144-54	12404 BRIDGEWOOD LN	VICTORVILLE	CA	92395	13738 WHITEHAVEN ST	OAK HILLS, CA, 92344	San Bernardino
0405-861-07	15305 KIMBALL ST	HESPERIA	CA	92345	15305 KIMBALL ST	HESPERIA, CA, 92345	San Bernardino
0405-144-37	560 SALERNO CIR	MESQUITE	NV	89027	N/AVAIL	HESPERIA, CA, 92344	San Bernardino
0405-851-11	15167 KIMBALL ST	HESPERIA	CA	92345	15167 KIMBALL ST	HESPERIA, CA, 92345	San Bernardino
0397-142-19	15800 ARBURY ST	HESPERIA	CA	92345	15800 ARBURY ST	HESPERIA, CA, 92345	San Bernardino
0433-014-38	4112 OLIVE AVE	HUNTINGTON BEACH	CA	92648	N/AVAIL	APPLE VALLEY, CA, 92308	San Bernardino
0398-173-05	14799 CHESTNUT ST	WESTMINSTER	CA	92683	N/AVAIL	HESPERIA, CA, 92345	San Bernardino
0412-314-21	PO BOX 402652	HESPERIA	CA	92340	7575 E AVE	HESPERIA, CA, 92345	San Bernardino
0398-097-01	17215 REDDING ST	HESPERIA	CA	92345	17215 REDDING ST	HESPERIA, CA, 92345	San Bernardino
0405-144-80	N/AVAIL	N/AVAIL	N/AVAIL	N/AVAIL	N/AVAIL	OAK HILLS, CA, 92344	San Bernardino

**Coolwater-Lugo Transmission Project
Ownership Mailing List for Notice of Amended Application for CPCN**

APN	MAILING ADDRESS	MAILING CITY	STATE	ZIP	SITUS ADDRESS	SITUS CITY/STATE/ZIP	SITUS COUNTY
0412-313-05	7633 ALSTON AVE	HESPERIA	CA	92345	7633 ALSTON AVE	HESPERIA, CA, 92345	San Bernardino
0435-104-15	N/AVAIL	N/AVAIL	N/AVAIL	N/AVAIL	N/AVAIL	APPLE VALLEY, CA, 92308	San Bernardino
0397-291-06	15410 VIA CARTAGENA ST	HESPERIA	CA	92345	15410 VIA CARTAGENA ST	HESPERIA, CA, 92345	San Bernardino
0405-891-27	7429 MESA VISTA DR	OAK HILLS	CA	92344	7081 LOMA VISTA AVE	HESPERIA, CA, 92345	San Bernardino
0412-241-20	17014 WOODRUFF AVE	BELLFLOWER	CA	90706	16332 RANCHERO RD	HESPERIA, CA, 92345	San Bernardino
0405-861-18	PO BOX 402243	HESPERIA	CA	92340	15230 CROMDALE ST	HESPERIA, CA, 92345	San Bernardino
0405-861-05	15273 KIMBALL ST	HESPERIA	CA	92345	15273 KIMBALL ST	HESPERIA, CA, 92345	San Bernardino
0398-072-01	14799 CHESTNUT ST	WESTMINSTER	CA	92683	N/AVAIL	HESPERIA, CA, 92345	San Bernardino
0438-271-04	11131 ARCADIA ST	APPLE VALLEY	CA	92308	11131 ARCADIA ST	APPLE VALLEY, CA, 92308	San Bernardino
0398-481-08	8160 APRIL AVE	HESPERIA	CA	92345	8160 APRIL AVE	HESPERIA, CA, 92345	San Bernardino
0405-144-32	14460 GREENWOOD ST	HESPERIA	CA	92344	14460 GREENWOOD ST	HESPERIA, CA, 92344	San Bernardino
0412-312-28	7515 BANGOR AVE	HESPERIA	CA	92345	7515 BANGOR AVE	HESPERIA, CA, 92345	San Bernardino
0398-326-02	18644 SEAFORTH ST	HESPERIA	CA	92345	18644 SEAFORTH ST	HESPERIA, CA, 92345	San Bernardino
0398-171-04	9086 QUINCY AVE	HESPERIA	CA	92345	18018 SEAFORTH ST	HESPERIA, CA, 92345	San Bernardino
0398-491-14	19294 JUNE ST	HESPERIA	CA	92345	19294 JUNE ST	HESPERIA, CA, 92345	San Bernardino
0412-233-02	15391 LIVE OAK ST	HESPERIA	CA	92345	7555 C AVE	HESPERIA, CA, 92345	San Bernardino
0398-463-07	19138 DANBURY AVE	HESPERIA	CA	92345	19138 DANBURY AVE	HESPERIA, CA, 92345	San Bernardino
0398-293-19	18566 YUBA ST	HESPERIA	CA	92345	18566 YUBA ST	HESPERIA, CA, 92345	San Bernardino
0398-292-02	8198 LASSEN AVE	HESPERIA	CA	92345	8198 LASSEN AVE	HESPERIA, CA, 92345	San Bernardino
0438-154-66	9022 JUNIPER ST	APPLE VALLEY	CA	92308	9022 JUNIPER ST	APPLE VALLEY, CA, 92308	San Bernardino
0397-291-08	15440 VIA CARTAGENA ST	HESPERIA	CA	92345	15440 VIA CARTAGENA ST	HESPERIA, CA, 92345	San Bernardino
0412-233-05	7595 C AVE	HESPERIA	CA	92345	7595 C AVE	HESPERIA, CA, 92345	San Bernardino
0398-153-12	17946 REDDING ST	HESPERIA	CA	92345	17946 REDDING ST	HESPERIA, CA, 92345	San Bernardino
0438-271-19	9476 BUENA VISTA RD	APPLE VALLEY	CA	92307	9476 BUENA VISTA ST	APPLE VALLEY, CA, 92308	San Bernardino
0398-157-08	1204 BUENA VISTA	SAN CLEMENTE	CA	92672	N/AVAIL	HESPERIA, CA, 92345	San Bernardino
0405-881-27	446 TOWNE AVE	LOS ANGELES	CA	90013	7082 LOMA VISTA AVE	HESPERIA, CA, 92345	San Bernardino
0438-251-10	9224 CHOLLA RD	APPLE VALLEY	CA	92308	9224 CHOLLA RD	APPLE VALLEY, CA, 92308	San Bernardino
0412-313-21	7668 BANGOR AVE	HESPERIA	CA	92345	7668 BANGOR AVE	HESPERIA, CA, 92345	San Bernardino
0398-465-20	19267 DANBURY AVE	HESPERIA	CA	92345	19267 DANBURY AVE	HESPERIA, CA, 92345	San Bernardino
0405-144-28	7368 LINCOLN AVE	HESPERIA	CA	92345	N/AVAIL	HESPERIA, CA, 92344	San Bernardino
0405-144-24	14276 JENNY ST	OAK HILLS	CA	92344	14276 JENNY ST	OAK HILLS, CA, 92344	San Bernardino
0398-319-04	2336 BAYPOINTE DR	NEWPORT BEACH	CA	92660	18436 SEAFORTH ST	HESPERIA, CA, 92345	San Bernardino
0397-291-09	15454 VIA CARTAGENA ST	HESPERIA	CA	92345	15454 VIA CARTAGENA ST	HESPERIA, CA, 92345	San Bernardino
0405-253-05	14828 WILSON ST	HESPERIA	CA	92345	14828 WILSON ST	HESPERIA, CA, 92345	San Bernardino
0405-253-23	14811 KIMBALL ST	HESPERIA	CA	92345	14811 KIMBALL ST	HESPERIA, CA, 92345	San Bernardino
0398-304-14	19718 TOMAHAWK RD	APPLE VALLEY	CA	92307	N/AVAIL	HESPERIA, CA, 92345	San Bernardino
0398-155-13	7961 WINDSOR AVE	HESPERIA	CA	92345	7961 WINDSOR AVE	HESPERIA, CA, 92345	San Bernardino
0412-314-18	7580 ALSTON AVE	HESPERIA	CA	92345	7580 ALSTON AVE	HESPERIA, CA, 92345	San Bernardino

**Coolwater-Lugo Transmission Project
Ownership Mailing List for Notice of Amended Application for CPCN**

APN	MAILING ADDRESS	MAILING CITY	STATE	ZIP	SITUS ADDRESS	SITUS CITY/STATE/ZIP	SITUS COUNTY
0398-294-37	18442 YUBA ST	HESPERIA	CA	92345	18442 YUBA ST	HESPERIA, CA, 92345	San Bernardino
0398-465-12	19199 DANBURY AVE	HESPERIA	CA	92345	19199 DANBURY AVE	HESPERIA, CA, 92345	San Bernardino
0438-143-39	16450 WINTUN RD	APPLE VALLEY	CA	92307	9193 JOSHUA ST	APPLE VALLEY, CA, 92308	San Bernardino
0412-241-18	16940 PALM ST	HESPERIA	CA	92345	16403 LARCH ST	HESPERIA, CA, 92345	San Bernardino
0398-097-05	PO BOX 400993	HESPERIA	CA	92340	17275 REDDING ST	HESPERIA, CA, 92345	San Bernardino
0398-292-09	18525 YUBA ST	HESPERIA	CA	92345	18525 YUBA ST	HESPERIA, CA, 92345	San Bernardino
0405-881-05	14954 CROMDALE ST	HESPERIA	CA	92345	14954 CROMDALE ST	HESPERIA, CA, 92345	San Bernardino
0398-131-03	17844 SEAFORTH ST	HESPERIA	CA	92345	17844 SEAFORTH ST	HESPERIA, CA, 92345	San Bernardino
0438-271-08	N/AVAIL	N/AVAIL	N/AVAIL	N/AVAIL	N/AVAIL	APPLE VALLEY, CA, 92308	San Bernardino
0398-491-06	205 W LOS ANGELES AVE	MONTEBELLO	CA	90640	19156 JUNE ST	HESPERIA, CA, 92345	San Bernardino
0397-211-16	15685 VIA CARTAGENA ST	HESPERIA	CA	92345	15685 VIA CARTAGENA ST	HESPERIA, CA, 92345	San Bernardino
0398-227-26	PO BOX 1584	TOPOCK	AZ	86436	8054 PEACH AVE	HESPERIA, CA, 92345	San Bernardino
0398-304-24	18745 TEMECULA AVE	HESPERIA	CA	92345	18745 TEMECULA AVE	HESPERIA, CA, 92345	San Bernardino
0397-211-10	15620 VIA CARTAGENA ST	HESPERIA	CA	92345	15620 VIA CARTAGENA ST	HESPERIA, CA, 92345	San Bernardino
0412-241-08	16243 RODEO ST	HESPERIA	CA	92345	16243 RODEO ST	HESPERIA, CA, 92345	San Bernardino
0433-013-14	END OF WINDY RD	APPLE VALLEY	CA	92307	8738 CHEROKEE TRL	APPLE VALLEY, CA, 92308	San Bernardino
0398-294-14	18408 YUBA ST	HESPERIA	CA	92345	18408 YUBA ST	HESPERIA, CA, 92345	San Bernardino
0435-104-21	10203 NORWICH AVE	MISSION HILLS	CA	91345	N/AVAIL	APPLE VALLEY, CA, 92308	San Bernardino
0412-313-23	7636 BANGOR AVE	HESPERIA	CA	92345	7636 BANGOR AVE	HESPERIA, CA, 92345	San Bernardino
0398-082-19	7569 EARHART AVE	HESPERIA	CA	92345	7569 EARHART AVE	HESPERIA, CA, 92345	San Bernardino
0398-454-03	4547 W 137TH ST	HAWTHORNE	CA	90250	19076 DANBURY AVE	HESPERIA, CA, 92345	San Bernardino
0398-158-15	PO BOX 1802	APPLE VALLEY	CA	92307	17817 REDDING ST	HESPERIA, CA, 92345	San Bernardino
0398-481-04	8167 JULIE CT	HESPERIA	CA	92345	8167 JULIE CT	HESPERIA, CA, 92345	San Bernardino
0412-241-27	16222 GREVILLEA ST	HESPERIA	CA	92345	16222 GREVILLEA ST	HESPERIA, CA, 92345	San Bernardino
0405-881-13	15078 CROMDALE ST	HESPERIA	CA	92345	15078 CROMDALE ST	HESPERIA, CA, 92345	San Bernardino
0398-481-12	19062 JUNE ST	HESPERIA	CA	92345	19062 JUNE ST	HESPERIA, CA, 92345	San Bernardino
0405-861-14	15176 CROMDALE ST	HESPERIA	CA	92345	15176 CROMDALE ST	HESPERIA, CA, 92345	San Bernardino
0438-221-85	7660 N VALLEY DR	LAS CRUCES	NM	88007	N/AVAIL	APPLE VALLEY, CA, 92308	San Bernardino
0398-082-29	17199 REDDING ST	HESPERIA	CA	92345	17199 REDDING ST	HESPERIA, CA, 92345	San Bernardino
0405-861-13	15168 CROMDALE ST	HESPERIA	CA	92345	15168 CROMDALE ST	HESPERIA, CA, 92345	San Bernardino
0412-304-02	7733 CHASE AVE	HESPERIA	CA	92345	7733 CHASE AVE	HESPERIA, CA, 92345	San Bernardino
0398-157-01	17865 REDDING ST	HESPERIA	CA	92345	17865 REDDING ST	HESPERIA, CA, 92345	San Bernardino
0398-071-06	17418 SEAFORTH ST	HESPERIA	CA	92345	17418 SEAFORTH ST	HESPERIA, CA, 92345	San Bernardino
0397-211-20	15601 VIA CARTAGENA ST	HESPERIA	CA	92345	15601 VIA CARTAGENA ST	HESPERIA, CA, 92345	San Bernardino
0398-082-22	17101 DANBURY AVE	HESPERIA	CA	92345	17101 DANBURY AVE	HESPERIA, CA, 92345	San Bernardino
0398-465-17	20708 PAHUTE RD	APPLE VALLEY	CA	92308	19241 DANBURY AVE	HESPERIA, CA, 92345	San Bernardino
0438-144-04	5925 E OLYMPIC BLVD	LOS ANGELES	CA	90022	9215 SAGEBRUSH ST	APPLE VALLEY, CA, 92308	San Bernardino
0397-142-18	15814 ARBURY ST	HESPERIA	CA	92345	15814 ARBURY ST	HESPERIA, CA, 92345	San Bernardino

**Coolwater-Lugo Transmission Project
Ownership Mailing List for Notice of Amended Application for CPCN**

APN	MAILING ADDRESS	MAILING CITY	STATE	ZIP	SITUS ADDRESS	SITUS CITY/STATE/ZIP	SITUS COUNTY
0405-851-03	15041 KIMBALL ST	HESPERIA	CA	92345	15041 KIMBALL ST	HESPERIA, CA, 92345	San Bernardino
0405-441-27	N/AVAIL	N/AVAIL	N/AVAIL	N/AVAIL	N/AVAIL	HESPERIA, CA, 92344	San Bernardino
0398-471-15	19037 DANBURY AVE	HESPERIA	CA	92345	19037 DANBURY AVE	HESPERIA, CA, 92345	San Bernardino
0398-326-09	18554 SEAFORTH ST	HESPERIA	CA	92345	18554 SEAFORTH ST	HESPERIA, CA, 92345	San Bernardino
0405-391-40	4516 30TH ST NW	WASHINGTON	DC	20008	N/AVAIL	HESPERIA, CA, 92345	San Bernardino
0398-228-01	9152 CAVE	HESPERIA	CA	92345	18027 REDDING ST	HESPERIA, CA, 92345	San Bernardino
0397-211-21	15619 VIA CARTAGENA ST	HESPERIA	CA	92345	15619 VIA CARTAGENA ST	HESPERIA, CA, 92345	San Bernardino
0398-491-13	19280 JUNE ST	HESPERIA	CA	92345	19280 JUNE ST	HESPERIA, CA, 92345	San Bernardino
0397-211-12	15642 VIA CARTAGENA ST	HESPERIA	CA	92345	15642 VIA CARTAGENA ST	HESPERIA, CA, 92345	San Bernardino
0398-471-07	8265 ARROWHEAD LAKE RD	HESPERIA	CA	92345	8265 ARROWHEAD LAKE RD	HESPERIA, CA, 92345	San Bernardino
0398-227-04	18129 REDDING ST	HESPERIA	CA	92345	18129 REDDING ST	HESPERIA, CA, 92345	San Bernardino
0397-141-04	7218 7TH AVE	HESPERIA	CA	92345	7218 7TH AVE	HESPERIA, CA, 92345	San Bernardino
0438-154-75	21080 SANTA ROSA RD	APPLE VALLEY	CA	92308	21080 SANTA ROSA RD	APPLE VALLEY, CA, 92308	San Bernardino
0412-241-17	3160 BRAY LN	COSTA MESA	CA	92626	16381 LARCH ST	HESPERIA, CA, 92345	San Bernardino
0398-321-01	8190 MONO DR	HESPERIA	CA	92345	8190 MONO DR	HESPERIA, CA, 92345	San Bernardino
0428-181-25	892 N CALLE DE PINOS	PALM SPRINGS	CA	92262	N/AVAIL	BARSTOW, CA, 92311	San Bernardino
0417-011-07	N/AVAIL	N/AVAIL	N/AVAIL	N/AVAIL	N/AVAIL	N/AVAIL, CA, N/AVAIL	San Bernardino
0419-171-03	PO BOX 1405	APPLE VALLEY	CA	92307	N/AVAIL	N/AVAIL, CA, 92311	San Bernardino
0428-181-38	2630 PLYMOUTH CT	WESTCHESTER	IL	60154	N/AVAIL	BARSTOW, CA, 92311	San Bernardino
0428-181-13	KAROLINE VON GUNDERODE W 42781 H	N/AVAIL	N/AVAIL	N/AVAIL	N/AVAIL	BARSTOW, CA, 92311	San Bernardino
0428-181-07	15340 CASINO DR	HACIENDA HEIGHTS	CA	91745	N/AVAIL	N/AVAIL, CA, 92311	San Bernardino
0419-171-01	N/AVAIL	N/AVAIL	N/AVAIL	N/AVAIL	N/AVAIL	N/AVAIL, CA, 92311	San Bernardino
0417-011-08	N/AVAIL	N/AVAIL	N/AVAIL	N/AVAIL	N/AVAIL	N/AVAIL, CA, N/AVAIL	San Bernardino
0428-181-30	4581 DON RICARDO DR	LOS ANGELES	CA	90008	N/AVAIL	BARSTOW, CA, 92311	San Bernardino
0419-181-02	N/AVAIL	N/AVAIL	N/AVAIL	N/AVAIL	N/AVAIL	BARSTOW, CA, 92311	San Bernardino
0418-041-01	N/AVAIL	N/AVAIL	N/AVAIL	N/AVAIL	N/AVAIL	N/AVAIL, CA, 92311	San Bernardino
0428-181-36	925 W FOOTHILL BLVD	ARCADIA	CA	91006	N/AVAIL	BARSTOW, CA, 92311	San Bernardino
0419-171-08	5130 S FORT APACHE RD	LAS VEGAS	NV	89148	N/AVAIL	N/AVAIL, CA, 92311	San Bernardino
0419-191-01	N/AVAIL	N/AVAIL	N/AVAIL	N/AVAIL	N/AVAIL	N/AVAIL, CA, 92311	San Bernardino
0428-181-39	801 SAINT ANDREWS CIR	PASO ROBLES	CA	93446	N/AVAIL	BARSTOW, CA, 92311	San Bernardino
0417-011-10	N/AVAIL	N/AVAIL	N/AVAIL	N/AVAIL	N/AVAIL	N/AVAIL, CA, N/AVAIL	San Bernardino
0419-171-05	PO BOX 3141	APPLE VALLEY	CA	92307	N/AVAIL	N/AVAIL, CA, 92311	San Bernardino
0417-021-05	679 BATAAN PL	MONTEREY PARK	CA	91755	N/AVAIL	N/AVAIL, CA, N/AVAIL	San Bernardino
0417-021-06	1245 S VAN NESS AVE	LOS ANGELES	CA	90019	N/AVAIL	N/AVAIL, CA, N/AVAIL	San Bernardino
0417-031-04	N/AVAIL	N/AVAIL	N/AVAIL	N/AVAIL	N/AVAIL	N/AVAIL, CA, N/AVAIL	San Bernardino
0417-021-04	620 ORANGEWOOD AVE	NEWBURY PARK	CA	91320	N/AVAIL	N/AVAIL, CA, N/AVAIL	San Bernardino
0516-021-32	N/AVAIL	N/AVAIL	N/AVAIL	N/AVAIL	N/AVAIL	DAGGETT, CA, 92327	San Bernardino
0417-021-07	3595 INLAND EMPIRE BLVD	ONTARIO	CA	91764	N/AVAIL	N/AVAIL, CA, N/AVAIL	San Bernardino

**Coolwater-Lugo Transmission Project
Ownership Mailing List for Notice of Amended Application for CPCN**

APN	MAILING ADDRESS	MAILING CITY	STATE	ZIP	SITUS ADDRESS	SITUS CITY/STATE/ZIP	SITUS COUNTY
0516-021-34	N/AVAIL	N/AVAIL	N/AVAIL	N/AVAIL	N/AVAIL	DAGGETT, CA, 92327	San Bernardino
0516-012-03	N/AVAIL	N/AVAIL	N/AVAIL	N/AVAIL	N/AVAIL	N/AVAIL, CA, N/AVAIL	San Bernardino
0516-012-04	N/AVAIL	N/AVAIL	N/AVAIL	N/AVAIL	N/AVAIL	N/AVAIL, CA, N/AVAIL	San Bernardino
0417-031-01	N/AVAIL	N/AVAIL	N/AVAIL	N/AVAIL	N/AVAIL	N/AVAIL, CA, N/AVAIL	San Bernardino
0417-011-03	N/AVAIL	N/AVAIL	N/AVAIL	N/AVAIL	N/AVAIL	N/AVAIL, CA, N/AVAIL	San Bernardino
0416-011-28	1022 AVENIDA AMANTEA	LA JOLLA	CA	92037	N/AVAIL	N/AVAIL, CA, N/AVAIL	San Bernardino
0417-011-04	N/AVAIL	N/AVAIL	N/AVAIL	N/AVAIL	N/AVAIL	N/AVAIL, CA, N/AVAIL	San Bernardino
0417-021-08	N/AVAIL	N/AVAIL	N/AVAIL	N/AVAIL	N/AVAIL	N/AVAIL, CA, N/AVAIL	San Bernardino
0416-011-27	PO BOX 175	DAGGETT	CA	92327	N/AVAIL	N/AVAIL, CA, N/AVAIL	San Bernardino
0516-021-33	N/AVAIL	N/AVAIL	N/AVAIL	N/AVAIL	N/AVAIL	DAGGETT, CA, 92327	San Bernardino
0417-031-02	6221 BOX SPRINGS BLVD	RIVERSIDE	CA	92507	N/AVAIL	N/AVAIL, CA, N/AVAIL	San Bernardino
0417-011-02	911 WILSHIRE BLVD	LOS ANGELES	CA	90017	N/AVAIL	N/AVAIL, CA, N/AVAIL	San Bernardino
0416-011-47	680 SPRING HILL LN	CINCINNATI	OH	45226	N/AVAIL	N/AVAIL, CA, N/AVAIL	San Bernardino
0416-011-05	3 FAIR ELMS	LAGUNA NIGUEL	CA	92677	N/AVAIL	N/AVAIL, CA, N/AVAIL	San Bernardino
0416-011-06	850 TIERRA ALTA ST	MOSS BEACH	CA	94038	N/AVAIL	N/AVAIL, CA, N/AVAIL	San Bernardino
0416-011-09	N/AVAIL	N/AVAIL	N/AVAIL	N/AVAIL	N/AVAIL	N/AVAIL, CA, N/AVAIL	San Bernardino
0417-021-02	N/AVAIL	N/AVAIL	N/AVAIL	N/AVAIL	N/AVAIL	N/AVAIL, CA, N/AVAIL	San Bernardino
0416-011-18	3410 LA SIERRA AVE	RIVERSIDE	CA	92503	N/AVAIL	N/AVAIL, CA, N/AVAIL	San Bernardino
0417-021-09	N/AVAIL	N/AVAIL	N/AVAIL	N/AVAIL	N/AVAIL	N/AVAIL, CA, N/AVAIL	San Bernardino
0416-011-48	2731 ALABAMA ST	LA CRESCENTA	CA	91214	N/AVAIL	N/AVAIL, CA, N/AVAIL	San Bernardino
0416-011-45	N/AVAIL	N/AVAIL	N/AVAIL	N/AVAIL	N/AVAIL	N/AVAIL, CA, N/AVAIL	San Bernardino
0416-011-49	2731 ALABAMA ST	LA CRESCENTA	CA	91214	N/AVAIL	N/AVAIL, CA, N/AVAIL	San Bernardino
0417-031-06	N/AVAIL	N/AVAIL	N/AVAIL	N/AVAIL	N/AVAIL	N/AVAIL, CA, N/AVAIL	San Bernardino
0516-271-25	34115 O ST	BARSTOW	CA	92311	N/AVAIL	DAGGETT, CA, 92327	San Bernardino
0516-272-04	5046 ROCKVALLEY RD	RCH PALOS VRD	CA	90275	N/AVAIL	DAGGETT, CA, 92327	San Bernardino
0516-271-47	N/AVAIL	N/AVAIL	N/AVAIL	N/AVAIL	N/AVAIL	DAGGETT, CA, 92327	San Bernardino
0516-271-28	PO BOX 77235	SEATTLE	WA	98177	N/AVAIL	DAGGETT, CA, 92327	San Bernardino
0416-041-03	N/AVAIL	N/AVAIL	N/AVAIL	N/AVAIL	N/AVAIL	DAGGETT, CA, 92327	San Bernardino
0516-272-26	PO BOX 58900	SALT LAKE CITY	UT	84158	N/AVAIL	DAGGETT, CA, 92327	San Bernardino
0516-331-06	N/AVAIL	N/AVAIL	N/AVAIL	N/AVAIL	37310 E SANTA FE RD	DAGGETT, CA, 92327	San Bernardino
0516-272-33	1111 LOUISIANA ST	HOUSTON	TX	77002	N/AVAIL	DAGGETT, CA, 92327	San Bernardino
0516-282-04	N/AVAIL	N/AVAIL	N/AVAIL	N/AVAIL	N/AVAIL	DAGGETT, CA, 92327	San Bernardino
0516-272-19	N/AVAIL	N/AVAIL	N/AVAIL	N/AVAIL	37000 SANTA FE ST	DAGGETT, CA, 92327	San Bernardino
0516-272-32	PO BOX 800	ROSEMEAD	CA	91770	N/AVAIL	DAGGETT, CA, 92327	San Bernardino
0435-611-31	11562 OAK ST	APPLE VALLEY	CA	92308	19007 PRIMROSE LN	APPLE VALLEY, CA, 92308	San Bernardino
0435-611-03	3595 INLAND EMPIRE BLVD	ONTARIO	CA	91764	N/AVAIL	APPLE VALLEY, CA, 92308	San Bernardino
0435-611-27	24424 TUSSING RANCH RD	APPLE VALLEY	CA	92308	24424 TUSSING RANCH RD	APPLE VALLEY, CA, 92308	San Bernardino
0435-611-02	230 N JEFFERSON ST	NEW CASTLE	PA	16101	N/AVAIL	APPLE VALLEY, CA, 92308	San Bernardino

**Coolwater-Lugo Transmission Project
Ownership Mailing List for Notice of Amended Application for CPCN**

APN	MAILING ADDRESS	MAILING CITY	STATE	ZIP	SITUS ADDRESS	SITUS CITY/STATE/ZIP	SITUS COUNTY
0435-611-13	12541 SE 52ND ST	BELLEVUE	WA	98006	N/AVAIL	APPLE VALLEY, CA, 92308	San Bernardino
0435-611-26	PO BOX 402564	HESPERIA	CA	92340	N/AVAIL	APPLE VALLEY, CA, 92308	San Bernardino
0435-611-28	PO BOX 2488	AGOURA HILLS	CA	91376	N/AVAIL	APPLE VALLEY, CA, 92308	San Bernardino
0435-611-40	35384 ROSEMONT DR	PALM DESERT	CA	92211	N/AVAIL	APPLE VALLEY, CA, 92308	San Bernardino
0435-611-33	1666 KATHY ST	EMMETT	ID	83617	N/AVAIL	APPLE VALLEY, CA, 92308	San Bernardino
0435-611-36	7760 BACKER RD	SAN DIEGO	CA	92126	N/AVAIL	APPLE VALLEY, CA, 92308	San Bernardino
0438-072-05	169 GROVE ST	SIERRA MADRE	CA	91024	N/AVAIL	APPLE VALLEY, CA, 92308	San Bernardino
0435-611-15	2455 BURKETT RD	EL MONTE	CA	91732	N/AVAIL	APPLE VALLEY, CA, 92308	San Bernardino
0435-611-37	39525 MIDDLETON ST	PALMDALE	CA	93551	N/AVAIL	APPLE VALLEY, CA, 92308	San Bernardino
0435-611-07	3510 RIO HONDO AVE	ROSEMEAD	CA	91770	N/AVAIL	APPLE VALLEY, CA, 92308	San Bernardino
0435-611-05	3595 INLAND EMPIRE BLVD	ONTARIO	CA	91764	N/AVAIL	APPLE VALLEY, CA, 92308	San Bernardino
0435-104-01	N/AVAIL	N/AVAIL	N/AVAIL	N/AVAIL	N/AVAIL	APPLE VALLEY, CA, 92308	San Bernardino
0435-611-43	2966 SUNNY BROOK LN	CHINO HILLS	CA	91709	N/AVAIL	APPLE VALLEY, CA, 92308	San Bernardino
0435-098-31	4005 BALLINA DR	ENGINO	CA	91436	N/AVAIL	APPLE VALLEY, CA, 92308	San Bernardino
0435-611-04	B CO 10BSB	APO	AE	9338	N/AVAIL	APPLE VALLEY, CA, 92308	San Bernardino
0435-611-06	2120 SAINT AUGUSTA LN	HAWTHORNE	CA	90250	N/AVAIL	APPLE VALLEY, CA, 92308	San Bernardino
0435-611-44	PO BOX 70521	LAS VEGAS	NV	89170	N/AVAIL	APPLE VALLEY, CA, 92308	San Bernardino
0435-611-45	10895 JAPATUL RD	APPLE VALLEY	CA	92308	10895 JAPATUL RD	APPLE VALLEY, CA, 92308	San Bernardino
0435-098-30	PO BOX 303	NEWBERRY SPRINGS	CA	92365	N/AVAIL	APPLE VALLEY, CA, 92308	San Bernardino
0435-611-10	PO BOX 2824	SANTA CRUZ	CA	95063	N/AVAIL	APPLE VALLEY, CA, 92308	San Bernardino
0435-611-29	7801 SHOUP AVE	CANOGA PARK	CA	91304	N/AVAIL	APPLE VALLEY, CA, 92308	San Bernardino
0435-611-42	10895 JAPATUL RD	APPLE VALLEY	CA	92308	N/AVAIL	APPLE VALLEY, CA, 92308	San Bernardino
0435-611-34	260 UTAH ST	RENO	NV	89506	N/AVAIL	APPLE VALLEY, CA, 92308	San Bernardino
0435-611-08	8192 MANDEVILLE DR	HUNTINGTON BEACH	CA	92646	N/AVAIL	APPLE VALLEY, CA, 92308	San Bernardino
0435-611-09	104 NORTH ST	STAMFORD	CT	6902	N/AVAIL	APPLE VALLEY, CA, 92308	San Bernardino
0435-611-11	11146 KADOTA AVE	POMONA	CA	91766	10724 BELLVIEW AVE	APPLE VALLEY, CA, 92308	San Bernardino
0435-611-30	81 SALLIE DR	SMITHFIELD	NC	27577	N/AVAIL	APPLE VALLEY, CA, 92308	San Bernardino
0435-106-02	22400 CHOLENA RD	APPLE VALLEY	CA	92307	N/AVAIL	APPLE VALLEY, CA, 92308	San Bernardino
0435-621-31	PO BOX 173231	ARLINGTON	TX	76003	LAGUNA SECA RD	APPLE VALLEY, CA, 92307	San Bernardino
0435-106-06	1712 ELM ST	EL PASO	TX	79930	N/AVAIL	APPLE VALLEY, CA, 92308	San Bernardino
0435-621-30	PO BOX 173231	ARLINGTON	TX	76003	1/2 MI S O DEL ORO RD	APPLE VALLEY, CA, 92308	San Bernardino
0435-611-17	2062 FOOTHILL BLVD	SANTA ANA	CA	92705	N/AVAIL	APPLE VALLEY, CA, 92308	San Bernardino
0435-631-04	1114 WESTFIELD DR	OXON HILL	MD	20745	N/AVAIL	APPLE VALLEY, CA, 92308	San Bernardino
0435-106-18	PO BOX 800	ROSEMEAD	CA	91770	N/AVAIL	APPLE VALLEY, CA, 92308	San Bernardino
0435-104-05	13454 TOLTON AVE	CORONA	CA	92879	N/AVAIL	APPLE VALLEY, CA, 92308	San Bernardino
0435-621-34	PO BOX 173231	ARLINGTON	TX	76003	LAGUNA SECA RD	APPLE VALLEY, CA, 92308	San Bernardino
0435-631-01	21812 HIGHWAY 18	APPLE VALLEY	CA	92307	DESERT VIEW RD	APPLE VALLEY, CA, 92308	San Bernardino
0435-106-01	20707 AMIE AVE	TORRANCE	CA	90503	N/AVAIL	APPLE VALLEY, CA, 92308	San Bernardino

**Coolwater-Lugo Transmission Project
Ownership Mailing List for Notice of Amended Application for CPCN**

APN	MAILING ADDRESS	MAILING CITY	STATE	ZIP	SITUS ADDRESS	SITUS CITY/STATE/ZIP	SITUS COUNTY
0435-631-31	38 FULTON ST LAHUG CEBU CITY	N/AVAIL	N/AVAIL	N/AVAIL	N/AVAIL	APPLE VALLEY, CA, 92308	San Bernardino
0435-106-14	N/AVAIL	N/AVAIL	N/AVAIL	N/AVAIL	N/AVAIL	APPLE VALLEY, CA, 92308	San Bernardino
0435-631-17	1168 GLEN COVE AVE	GREENVALE	NY	11548	N/AVAIL	APPLE VALLEY, CA, 92308	San Bernardino
0435-631-16	1150 THALIA ST	SAN DIEGO	CA	92154	N/AVAIL	APPLE VALLEY, CA, 92308	San Bernardino
0435-106-07	PO BOX 800	ROSEMEAD	CA	91770	N/AVAIL	APPLE VALLEY, CA, 92308	San Bernardino
0435-631-18	1825 AVENIDA DEL NORTE	FULLERTON	CA	92833	N/AVAIL	APPLE VALLEY, CA, 92308	San Bernardino
0435-631-32	704 S DALE AVE	ANAHEIM	CA	92804	N/AVAIL	APPLE VALLEY, CA, 92308	San Bernardino
0435-621-29	PO BOX 173231	ARLINGTON	TX	76003	N/AVAIL	APPLE VALLEY, CA, 92308	San Bernardino
0435-106-05	21583 PINE RIDGE AVE	APPLE VALLEY	CA	92307	N/AVAIL	APPLE VALLEY, CA, 92308	San Bernardino
0435-106-08	N/AVAIL	N/AVAIL	N/AVAIL	N/AVAIL	N/AVAIL	APPLE VALLEY, CA, 92308	San Bernardino
0435-631-02	PO BOX 173231	ARLINGTON	TX	76003	WREN ST	APPLE VALLEY, CA, 92308	San Bernardino
0435-631-15	26111 CAMINO LARGO	MISSION VIEJO	CA	92692	N/AVAIL	APPLE VALLEY, CA, 92308	San Bernardino
0435-106-09	PO BOX 800	ROSEMEAD	CA	91770	N/AVAIL	APPLE VALLEY, CA, 92308	San Bernardino
0435-621-27	1067 CALLE DEL AMOR	CHULA VISTA	CA	91910	N/AVAIL	APPLE VALLEY, CA, 92308	San Bernardino
0435-106-24	1621 BRYAN AVE	TUSTIN	CA	92780	N/AVAIL	APPLE VALLEY, CA, 92308	San Bernardino
0435-631-19	2043 W BOWSPRIT LN	ANAHEIM	CA	92801	N/AVAIL	APPLE VALLEY, CA, 92308	San Bernardino
3080-192-18	8333 PENFIELD AVE	WINNETKA	CA	91306	JAPATUL RD	APPLE VALLEY, CA, 92307	San Bernardino
0434-221-39	1921 OMEGA DR	SANTA ANA	CA	92705	N/AVAIL	APPLE VALLEY, CA, 92308	San Bernardino
0434-183-14	41391 KALMIA ST	MURRIETA	CA	92562	KIOWA RD	APPLE VALLEY, CA, 92308	San Bernardino
0438-032-08	10445 MOCKINGBIRD AVE	APPLE VALLEY	CA	92308	10445 MOCKINGBIRD AVE	APPLE VALLEY, CA, 92308	San Bernardino
0434-291-03	20970 OPATA RD	APPLE VALLEY	CA	92308	20970 OPATA RD	APPLE VALLEY, CA, 92308	San Bernardino
3080-201-05	11829 KILLMORE AVE	NORTHBRIDGE	CA	91326	LAUREL ST	APPLE VALLEY, CA, 92308	San Bernardino
3080-211-30	10708 VALLEY VISTA AVE	APPLE VALLEY	CA	92308	10708 VALLEY VISTA AVE	APPLE VALLEY, CA, 92308	San Bernardino
0434-367-16	24415 PASEO DE TORONTO	YORBA LINDA	CA	92887	N/AVAIL	APPLE VALLEY, CA, 92308	San Bernardino
0434-341-24	11130 NEOLA RD	APPLE VALLEY	CA	92308	11130 NEOLA RD	APPLE VALLEY, CA, 92308	San Bernardino
0435-016-37	5273 E LOMITA AVE	ORANGE	CA	92869	N/AVAIL	APPLE VALLEY, CA, 92308	San Bernardino
3080-021-17	PO BOX 3256	CRESTLINE	CA	92325	N/AVAIL	APPLE VALLEY, CA, 92308	San Bernardino
0435-098-36	8845 KOTO DR	ELK GROVE	CA	95624	N/AVAIL	APPLE VALLEY, CA, 92308	San Bernardino
0434-362-09	11984 CHIMAYO RD	APPLE VALLEY	CA	92308	11984 CHIMAYO RD	APPLE VALLEY, CA, 92308	San Bernardino
0434-183-29	10857 MERINO AVE	APPLE VALLEY	CA	92308	10857 MERINO AVE	APPLE VALLEY, CA, 92308	San Bernardino
3087-249-30	PO BOX 2198	MEMPHIS	TN	38101	20878 BEAR VALLEY RD	APPLE VALLEY, CA, 92308	San Bernardino
0434-177-01	1145 S VEGA ST	ALHAMBRA	CA	91801	N/AVAIL	APPLE VALLEY, CA, 92308	San Bernardino
3087-451-02	22400 HEADQUATERS DR	APPLE VALLEY	CA	92307	12143 KIOWA RD	APPLE VALLEY, CA, 92308	San Bernardino
0434-183-30	10875 MERINO AVE	APPLE VALLEY	CA	92308	10875 MERINO AVE	APPLE VALLEY, CA, 92308	San Bernardino
0434-384-04	11830 PUVE RD	APPLE VALLEY	CA	92308	11830 PUVE RD	APPLE VALLEY, CA, 92308	San Bernardino
0434-051-88	1100 W ARTESIA BLVD	COMPTON	CA	90220	20801 BEAR VALLEY RD	APPLE VALLEY, CA, 92308	San Bernardino
0434-214-24	4044 KEAKA DR	HONOLULU	HI	96818	20970 RAMBLING RD	APPLE VALLEY, CA, 92308	San Bernardino
0434-385-15	1471 ANDALUSIAN DR	NORCO	CA	92860	11795 KIOWA RD	APPLE VALLEY, CA, 92308	San Bernardino

**Coolwater-Lugo Transmission Project
Ownership Mailing List for Notice of Amended Application for CPCN**

APN	MAILING ADDRESS	MAILING CITY	STATE	ZIP	SITUS ADDRESS	SITUS CITY/STATE/ZIP	SITUS COUNTY
0434-291-20	11650 CHIMAYO RD	APPLE VALLEY	CA	92308	11650 CHIMAYO RD	APPLE VALLEY, CA, 92308	San Bernardino
0434-183-11	12689 CEDAR ST	HESPERIA	CA	92344	10696 KIOWA RD	APPLE VALLEY, CA, 92308	San Bernardino
0434-385-07	11750 CHIMAYO RD	APPLE VALLEY	CA	92308	11750 CHIMAYO RD	APPLE VALLEY, CA, 92308	San Bernardino
0439-393-25	3765 GAVIOTA AVE	LONG BEACH	CA	90807	N/AVAIL	APPLE VALLEY, CA, 92308	San Bernardino
3080-211-62	PO BOX 914	APPLE VALLEY	CA	92307	N/AVAIL	APPLE VALLEY, CA, 92307	San Bernardino
0434-051-36	9661 CALLITA ST	ARCADIA	CA	91007	KIOWA RD	APPLE VALLEY, CA, 92308	San Bernardino
0434-221-06	15255 BEAR VALLEY RD	HESPERIA	CA	92345	20900 RAMBLING RD	APPLE VALLEY, CA, 92308	San Bernardino
3080-191-31	PO BOX 5785	SAN BERNARDINO	CA	92412	23575 LANCELET ST	APPLE VALLEY, CA, 92308	San Bernardino
3080-191-46	PO BOX 1719	ASH FORK	AZ	86320	11133 TUJUNGA RD	APPLE VALLEY, CA, 92308	San Bernardino
3087-571-69	1555 CRESTVIEW RD	REDLANDS	CA	92374	BEAR VALLEY RD	APPLE VALLEY, CA, 92308	San Bernardino
0435-104-06	13988 CAMINO LINDO	VICTORVILLE	CA	92392	N/AVAIL	APPLE VALLEY, CA, 92308	San Bernardino
3080-201-04	7320 LENNOX AVE	VAN NUYS	CA	91405	N/AVAIL	APPLE VALLEY, CA, 92308	San Bernardino
0434-291-17	20955 SANDIA	APPLE VALLEY	CA	92308	20955 SANDIA RD	APPLE VALLEY, CA, 92308	San Bernardino
0439-392-36	6665 LONG BEACH BLVD	LONG BEACH	CA	90805	22838 BEAR VALLEY RD	APPLE VALLEY, CA, 92308	San Bernardino
0434-172-18	11222 KIOWA PL	APPLE VALLEY	CA	92308	11222 KIOWA PL	APPLE VALLEY, CA, 92308	San Bernardino
0434-442-15	14365 PALMDALE RD	VICTORVILLE	CA	92392	21480 LAGUNA RD	APPLE VALLEY, CA, 92308	San Bernardino
0434-051-60	PO BOX 3753	APPLE VALLEY	CA	92307	N/AVAIL	APPLE VALLEY, CA, 92308	San Bernardino
0434-292-03	20990 CHAMA RD	APPLE VALLEY	CA	92308	20990 CHAMA RD	APPLE VALLEY, CA, 92308	San Bernardino
0434-051-57	13828 DOVE CANYON WAY	RANCHO CUCAMONGA	CA	91739	N/AVAIL	APPLE VALLEY, CA, 92308	San Bernardino
3080-212-07	2161 CANDICE AVE	ROSAMOND	CA	93560	N/AVAIL	APPLE VALLEY, CA, 92308	San Bernardino
0434-201-24	18794 SETENAC RD	APPLE VALLEY	CA	92307	N/AVAIL	APPLE VALLEY, CA, 92308	San Bernardino
3080-051-31	2178 OLIVINE DR	CHINO HILLS	CA	91709	BEAR VALLEY RD	APPLE VALLEY, CA, 92307	San Bernardino
3080-192-15	1402 GREYSTONE RDG	SAN ANTONIO	TX	78258	N/AVAIL	APPLE VALLEY, CA, 92308	San Bernardino
0434-341-23	11146 NEOLA RD	APPLE VALLEY	CA	92308	11146 NEOLA RD	APPLE VALLEY, CA, 92308	San Bernardino
3080-211-51	10550 VALLEY VISTA AVE	APPLE VALLEY	CA	92308	10550 VALLEY VISTA AVE	APPLE VALLEY, CA, 92308	San Bernardino
0435-016-41	5273 E LOMITA AVE	ORANGE	CA	92869	N/AVAIL	APPLE VALLEY, CA, 92308	San Bernardino
0434-183-01	10886 KIOWA RD	APPLE VALLEY	CA	92308	10886 KIOWA RD	APPLE VALLEY, CA, 92308	San Bernardino
3087-454-25	5909 LOOMIS ST	LAKEWOOD	CA	90713	BEAR VALLEY RD	APPLE VALLEY, CA, 92308	San Bernardino
3080-051-01	12555 NAVAJO RD	APPLE VALLEY	CA	92308	N/AVAIL	APPLE VALLEY, CA, 92308	San Bernardino
0438-032-01	20594 BEAR VALLEY RD	APPLE VALLEY	CA	92308	10420 KIOWA RD	APPLE VALLEY, CA, 92308	San Bernardino
3087-531-25	3310 E 59TH ST	LONG BEACH	CA	90805	21870 BEAR VALLEY RD	APPLE VALLEY, CA, 92308	San Bernardino
0435-104-02	N/AVAIL	N/AVAIL	N/AVAIL	N/AVAIL	N/AVAIL	APPLE VALLEY, CA, 92308	San Bernardino
3087-451-17	9034 W SUNSET BLVD	WEST HOLLYWOOD	CA	90069	20968 BEAR VALLEY RD	APPLE VALLEY, CA, 92308	San Bernardino
3080-192-10	14757 PALMDALE RD	VICTORVILLE	CA	92392	23965 JOLON RD	APPLE VALLEY, CA, 92308	San Bernardino
3080-022-29	22225 TEHAMA RD	APPLE VALLEY	CA	92308	N/AVAIL	APPLE VALLEY, CA, 92307	San Bernardino
0434-384-01	11894 CHIMAYO RD	APPLE VALLEY	CA	92308	11894 CHIMAYO RD	APPLE VALLEY, CA, 92308	San Bernardino
0438-072-06	3595 INLAND EMPIRE BLVD	ONTARIO	CA	91764	N/AVAIL	APPLE VALLEY, CA, 92308	San Bernardino
0434-291-06	11515 KIOWA RD	APPLE VALLEY	CA	92308	11515 KIOWA RD	APPLE VALLEY, CA, 92308	San Bernardino

**Coolwater-Lugo Transmission Project
Ownership Mailing List for Notice of Amended Application for CPCN**

APN	MAILING ADDRESS	MAILING CITY	STATE	ZIP	SITUS ADDRESS	SITUS CITY/STATE/ZIP	SITUS COUNTY
0434-183-08	521 IRVINE AVE	NEWPORT BEACH	CA	92663	10756 KIOWA RD	HESPERIA, CA, 92345	San Bernardino
0434-341-01	11111 KIOWA RD	APPLE VALLEY	CA	92308	11111 KIOWA RD	APPLE VALLEY, CA, 92308	San Bernardino
0434-291-25	11580 CHIMAYO RD	APPLE VALLEY	CA	92308	11580 CHIMAYO RD	APPLE VALLEY, CA, 92308	San Bernardino
0434-442-04	15860 SERRANO RD	APPLE VALLEY	CA	92307	21517 BEAR VALLEY RD	APPLE VALLEY, CA, 92308	San Bernardino
0434-442-01	8787 SHOREHAM DR	LOS ANGELES	CA	90069	21469 BEAR VALLEY RD	APPLE VALLEY, CA, 92308	San Bernardino
0435-106-17	N/AVAIL	N/AVAIL	N/AVAIL	N/AVAIL	N/AVAIL	APPLE VALLEY, CA, 92308	San Bernardino
0434-291-19	11674 CHIMAYO RD	APPLE VALLEY	CA	92308	11674 CHIMAYO RD	APPLE VALLEY, CA, 92308	San Bernardino
3080-011-01	PO BOX 1323	APPLE VALLEY	CA	92307	23311 BEAR VALLEY RD	APPLE VALLEY, CA, 92308	San Bernardino
0434-321-08	11337 KIOWA RD	APPLE VALLEY	CA	92308	11337 KIOWA RD	APPLE VALLEY, CA, 92308	San Bernardino
0434-291-26	11570 CHIMAYO RD	APPLE VALLEY	CA	92308	11570 CHIMAYO RD	APPLE VALLEY, CA, 92308	San Bernardino
3087-532-18	10687 SITH AVE	HESPERIA	CA	92345	N/AVAIL	APPLE VALLEY, CA, 92308	San Bernardino
0434-361-01	20915 BEAR VALLEY RD	APPLE VALLEY	CA	92308	20915 BEAR VALLEY RD	APPLE VALLEY, CA, 92308	San Bernardino
0434-214-02	10821 KIOWA RD	APPLE VALLEY	CA	92308	10821 KIOWA RD	APPLE VALLEY, CA, 92308	San Bernardino
3087-571-72	38255 OAKTREE LOOP	MURRIETA	CA	92562	N/AVAIL	APPLE VALLEY, CA, 92308	San Bernardino
0434-213-03	10787 KIOWA RD	APPLE VALLEY	CA	92308	10787 KIOWA RD	APPLE VALLEY, CA, 92308	San Bernardino
0434-341-22	11160 NEOLA RD	APPLE VALLEY	CA	92308	11160 NEOLA RD	APPLE VALLEY, CA, 92308	San Bernardino
0434-213-05	235 WESLEY DR	RUSTON	LA	71270	N/AVAIL	APPLE VALLEY, CA, 92308	San Bernardino
3080-191-28	PO BOX 993	APPLE VALLEY	CA	92307	10978 TUJUNGA RD	APPLE VALLEY, CA, 92308	San Bernardino
0434-367-19	24415 PASEO DE TORONTO	YORBA LINDA	CA	92887	BEAR VALLEY RD	APPLE VALLEY, CA, 92307	San Bernardino
3087-531-44	14591 LABADOR AVE	FONTANA	CA	92336	BEAR VALLEY RD	APPLE VALLEY, CA, 92308	San Bernardino
0434-351-12	10982 NEOLA CT	APPLE VALLEY	CA	92308	10982 NEOLA CT	APPLE VALLEY, CA, 92308	San Bernardino
3087-531-41	12163 TOLTEC DR	APPLE VALLEY	CA	92308	21754 BEAR VALLEY RD	APPLE VALLEY, CA, 92308	San Bernardino
0439-393-26	9838 SVL BOX	VICTORVILLE	CA	92395	21307 BEAR VALLEY RD	APPLE VALLEY, CA, 92308	San Bernardino
0434-443-10	519 W CORAL AVE	RIDGECREST	CA	93555	N/AVAIL	APPLE VALLEY, CA, 92308	San Bernardino
0434-442-05	21640 LAGUNA RD	APPLE VALLEY	CA	92308	21640 LAGUNA RD	APPLE VALLEY, CA, 92308	San Bernardino
0434-442-05	PO BOX 3543	GLENDALE	CA	91221	21531 OUTER BEAR VALLEY RD	APPLE VALLEY, CA, 92307	San Bernardino
0434-201-50	PO BOX 3100	SANTA MONICA	CA	90408	KIOWA RD	APPLE VALLEY, CA, 92307	San Bernardino
3080-022-28	1045 E VALLEY BLVD	SAN GABRIEL	CA	91776	N/AVAIL	APPLE VALLEY, CA, 92307	San Bernardino
0434-183-24	9380 SVL BOX	VICTORVILLE	CA	92395	10781 MERINO AVE	APPLE VALLEY, CA, 92308	San Bernardino
3080-051-05	1840 W WHITTIER BLVD	LA HABRA	CA	90631	22007 BEAR VALLEY RD	APPLE VALLEY, CA, 92308	San Bernardino
0434-442-08	931 S BON VIEW AVE	ONTARIO	CA	91761	12080 MORNING STAR RD	APPLE VALLEY, CA, 92308	San Bernardino
0435-098-38	109 61ST PL SE	EVERETT	WA	98203	N/AVAIL	APPLE VALLEY, CA, 92308	San Bernardino
0434-201-22	18794 SETENAC RD	APPLE VALLEY	CA	92307	N/AVAIL	APPLE VALLEY, CA, 92308	San Bernardino
3080-191-53	23663 LAUREL ST	APPLE VALLEY	CA	92308	23661 LAUREL ST	APPLE VALLEY, CA, 92308	San Bernardino
3080-011-17	23682 LAS PIEDRAS RD	APPLE VALLEY	CA	92308	23682 LAS PIEDRAS RD	APPLE VALLEY, CA, 92308	San Bernardino
0434-341-11	11275 KIOWA RD	APPLE VALLEY	CA	92308	11275 KIOWA RD	APPLE VALLEY, CA, 92308	San Bernardino
0434-384-03	23905 CLINTON KEITH RD	WILDOMAR	CA	92595	11850 CHIMAYO RD	APPLE VALLEY, CA, 92308	San Bernardino
0434-051-48	PO BOX 2935	ANAHEIM	CA	92814	N/AVAIL	APPLE VALLEY, CA, 92308	San Bernardino

**Coolwater-Lugo Transmission Project
Ownership Mailing List for Notice of Amended Application for CPCN**

APN	MAILING ADDRESS	MAILING CITY	STATE	ZIP	SITUS ADDRESS	SITUS CITY/STATE/ZIP	SITUS COUNTY
0434-351-36	10979 KIOWA RD	APPLE VALLEY	CA	92308	10979 KIOWA RD	APPLE VALLEY, CA, 92308	San Bernardino
3080-011-08	23402 SEQUOIA ST	APPLE VALLEY	CA	92308	23402 SEQUOIA ST	APPLE VALLEY, CA, 92308	San Bernardino
0434-443-03	8422 SANDALWOOD CIR	WESTMINSTER	CA	92683	N/AVAIL	APPLE VALLEY, CA, 92307	San Bernardino
0434-293-06	15282 TUSCOLA RD	APPLE VALLEY	CA	92307	11585 CHIMAYO RD	APPLE VALLEY, CA, 92308	San Bernardino
0434-351-05	PO BOX 1748	APPLE VALLEY	CA	92307	11040 NEOLA RD	APPLE VALLEY, CA, 92308	San Bernardino
0434-291-18	11690 CHIMAYO RD	APPLE VALLEY	CA	92308	11690 CHIMAYO RD	APPLE VALLEY, CA, 92308	San Bernardino
0438-231-10	9728 N SHORE DR	SAND POINT	MI	48755	N/AVAIL	APPLE VALLEY, CA, 92308	San Bernardino
3080-031-03	715 E EMERSON AVE	ORANGE	CA	92865	N/AVAIL	APPLE VALLEY, CA, 92308	San Bernardino
0434-351-33	16 STAGECOACH DR	POMONA	CA	91766	10925 KIOWA RD	APPLE VALLEY, CA, 92308	San Bernardino
0438-072-42	10474 BELFAST RD	APPLE VALLEY	CA	92308	10474 BELFAST RD	APPLE VALLEY, CA, 92308	San Bernardino
3080-201-13	HC 72 BOX 19600	DYER	NV	89010	N/AVAIL	APPLE VALLEY, CA, 92308	San Bernardino
0434-361-20	20934 LAGUNA RD	APPLE VALLEY	CA	92308	20934 LAGUNA RD	APPLE VALLEY, CA, 92308	San Bernardino
0434-311-10	20995 OPATA RD	APPLE VALLEY	CA	92308	20995 OPATA RD	APPLE VALLEY, CA, 92308	San Bernardino
3080-012-07	10215 ARCADIA ST	APPLE VALLEY	CA	92308	11750 TUJUNGA RD	APPLE VALLEY, CA, 92308	San Bernardino
3080-012-08	10215 ARCADIA ST	APPLE VALLEY	CA	92308	TUJUNGA DR	APPLE VALLEY, CA, 92307	San Bernardino
0434-361-21	20920 LAGUNA RD	APPLE VALLEY	CA	92308	20920 LAGUNA RD	APPLE VALLEY, CA, 92308	San Bernardino
0434-201-49	PO BOX 3100	SANTA MONICA	CA	90408	KIOWA RD	APPLE VALLEY, CA, 92308	San Bernardino
0434-183-25	18300 WOOD EDGE LN	RIVERSIDE	CA	92504	10795 MERINO AVE	APPLE VALLEY, CA, 92308	San Bernardino
0434-351-32	PO BOX 401093	HESPERIA	CA	92340	20910 WREN ST	APPLE VALLEY, CA, 92308	San Bernardino
0434-183-28	10845 MERINO AVE	APPLE VALLEY	CA	92308	10845 MERINO AVE	APPLE VALLEY, CA, 92308	San Bernardino
0434-201-42	PO BOX 400076	HESPERIA	CA	92340	20100 VERDE DR	APPLE VALLEY, CA, 92308	San Bernardino
0434-362-04	26777 SAINT ANDREWS LN	VALLEY CENTER	CA	92082	N/AVAIL	APPLE VALLEY, CA, 92308	San Bernardino
0438-032-07	20633 TUSSING RANCH RD	APPLE VALLEY	CA	92308	20595 TUSSING RANCH RD	APPLE VALLEY, CA, 92308	San Bernardino
0434-214-25	20960 RAMBLING RD	APPLE VALLEY	CA	92308	20960 RAMBLING RD	APPLE VALLEY, CA, 92308	San Bernardino
0435-106-03	16817 FORREST ST	CANYON COUNTRY	CA	91351	N/AVAIL	APPLE VALLEY, CA, 92308	San Bernardino
0434-361-17	3100 W 3RD ST	LOS ANGELES	CA	90020	20986 LAGUNA RD	APPLE VALLEY, CA, 92308	San Bernardino
3080-192-12	20717 MARTHA ST	WOODLAND HILLS	CA	91367	N/AVAIL	APPLE VALLEY, CA, 92308	San Bernardino
0434-291-04	20950 OPATA RD	APPLE VALLEY	CA	92308	20950 OPATA RD	APPLE VALLEY, CA, 92308	San Bernardino
0434-371-09	21380 LAGUNA RD	APPLE VALLEY	CA	92308	21380 LAGUNA RD	APPLE VALLEY, CA, 92308	San Bernardino
0439-392-16	PO BOX 675	LAKE ARROWHEAD	CA	92352	BEAR VALLEY RD	APPLE VALLEY, CA, 92307	San Bernardino
0434-291-08	14316 BURNING TREE DR	VICTORVILLE	CA	92395	11545 KIOWA RD	APPLE VALLEY, CA, 92308	San Bernardino
0434-311-07	PO BOX 3869	RANCHO CUCAMONGA	CA	91729	N/AVAIL	APPLE VALLEY, CA, 92308	San Bernardino
0434-367-01	16488 IWA RD	APPLE VALLEY	CA	92307	21250 LAGUNA RD	APPLE VALLEY, CA, 92308	San Bernardino
0434-291-11	11591 KIOWA RD	APPLE VALLEY	CA	92308	11591 KIOWA RD	APPLE VALLEY, CA, 92308	San Bernardino
3080-192-19	23201 MILL CREEK DR	LAGUNA HILLS	CA	92653	JAPATUL RD	APPLE VALLEY, CA, 92307	San Bernardino
3087-571-70	7532 119TH PL SE	NEWCASTLE	WA	98056	BEAR VALLEY RD	APPLE VALLEY, CA, 92307	San Bernardino
0434-291-16	11675 KIOWA RD	APPLE VALLEY	CA	92308	11675 KIOWA RD	APPLE VALLEY, CA, 92308	San Bernardino
0439-411-34	1158 GOLDSTONE DR	CENTRAL POINT	OR	97502	N/AVAIL	APPLE VALLEY, CA, 92308	San Bernardino

**Coolwater-Lugo Transmission Project
Ownership Mailing List for Notice of Amended Application for CPCN**

APN	MAILING ADDRESS	MAILING CITY	STATE	ZIP	SITUS ADDRESS	SITUS CITY/STATE/ZIP	SITUS COUNTY
0434-341-03	11141 KIOWA RD	APPLE VALLEY	CA	92308	11141 KIOWA RD	APPLE VALLEY, CA, 92308	San Bernardino
3080-192-05	3386 YANKTON AVE	CLAREMONT	CA	91711	N/AVAIL	APPLE VALLEY, CA, 92307	San Bernardino
0434-172-09	11250 KIOWA PL	APPLE VALLEY	CA	92308	11250 KIOWA PL	APPLE VALLEY, CA, 92308	San Bernardino
0434-361-15	6234 LA JARA ST	LAKEWOOD	CA	90713	21018 LAGUNA RD	APPLE VALLEY, CA, 92308	San Bernardino
0434-177-10	10914 KIOWA RD	APPLE VALLEY	CA	92308	10914 KIOWA RD	APPLE VALLEY, CA, 92308	San Bernardino
0438-021-08	10448 DEEP CREEK RD	APPLE VALLEY	CA	92308	10448 DEEP CREEK RD	APPLE VALLEY, CA, 92308	San Bernardino
3087-531-40	2300 MAPLE AVE	TORRANCE	CA	90503	BEAR VALLEY RD	APPLE VALLEY, CA, 92307	San Bernardino
0434-177-03	11044 KIOWA RD	APPLE VALLEY	CA	92308	11044 KIOWA RD	APPLE VALLEY, CA, 92308	San Bernardino
0434-214-01	1219 MORNINGSIDE DR	MANHATTAN BEACH	CA	90266	10811 KIOWA RD	APPLE VALLEY, CA, 92308	San Bernardino
3080-021-16	3611 CADMAN DR	LOS ANGELES	CA	90027	N/AVAIL	APPLE VALLEY, CA, 92308	San Bernardino
3080-192-01	PO BOX 1748	PAHRUMP	NV	89041	N/AVAIL	APPLE VALLEY, CA, 92307	San Bernardino
0434-385-02	22618 OJAI RD	APPLE VALLEY	CA	92308	11836 CHIMAYO RD	APPLE VALLEY, CA, 92308	San Bernardino
3080-051-30	2178 OLIVINE DR	CHINO HILLS	CA	91709	BEAR VALLEY RD	APPLE VALLEY, CA, 92307	San Bernardino
0434-341-12	20921 DEL ORO RD	APPLE VALLEY	CA	92308	N/AVAIL	APPLE VALLEY, CA, 92308	San Bernardino
0434-351-11	10986 NEOLA CT	APPLE VALLEY	CA	92308	10986 NEOLA CT	APPLE VALLEY, CA, 92308	San Bernardino
0434-362-11	6643 ORANGWOOD RD	HIGHLAND	CA	92346	11948 CHIMAYO RD	APPLE VALLEY, CA, 92308	San Bernardino
3087-571-71	23201 MILL CREEK DR	LAGUNA HILLS	CA	92653	N/AVAIL	APPLE VALLEY, CA, 92308	San Bernardino
0434-173-07	1827 E HAWTHORNE ST	ONTARIO	CA	91764	11187 CARIBOU AVE	APPLE VALLEY, CA, 92308	San Bernardino
3080-211-64	944 N LA CADENA DR	COLTON	CA	92324	23676 TUSSING RANCH RD	APPLE VALLEY, CA, 92308	San Bernardino
0434-371-13	11504 SANTA ANITA AVE	CHINO	CA	91710	21310 LAGUNA RD	APPLE VALLEY, CA, 92308	San Bernardino
3080-011-11	4 QUAIL CREEK LN	POMONA	CA	91766	N/AVAIL	APPLE VALLEY, CA, 92308	San Bernardino
0434-051-62	15389 MIDDLETOWN PARK DR	REDDING	CA	96001	N/AVAIL	APPLE VALLEY, CA, 92308	San Bernardino
0434-311-03	PO BOX 1484	HELENDALE	CA	92342	11425 KIOWA RD	APPLE VALLEY, CA, 92308	San Bernardino
0434-371-08	15815 WYANDOT RD	APPLE VALLEY	CA	92307	12050 PASCO RD	APPLE VALLEY, CA, 92308	San Bernardino
3080-211-63	15210 RAMONA RD	APPLE VALLEY	CA	92307	10520 JUJUNGA RD	APPLE VALLEY, CA, 92307	San Bernardino
0434-361-03	12264 MOCKINGBIRD PL	APPLE VALLEY	CA	92308	20947 BEAR VALLEY RD	APPLE VALLEY, CA, 92308	San Bernardino
0439-392-14	2800 GRIFFIN AVE	LOS ANGELES	CA	90031	BEAR VALLEY RD	APPLE VALLEY, CA, 92307	San Bernardino
3087-454-16	4705 LOS FELIZ BLVD	LOS ANGELES	CA	90027	N/AVAIL	APPLE VALLEY, CA, 92308	San Bernardino
0438-012-08	12034 PARROT AVE	DOWNEY	CA	90242	N/AVAIL	APPLE VALLEY, CA, 92308	San Bernardino
0434-367-18	900 E LOMITA AVE	GLENDALE	CA	91205	BEAR VALLEY RD	APPLE VALLEY, CA, 92307	San Bernardino
0434-321-10	11375 KIOWA RD	APPLE VALLEY	CA	92308	11375 KIOWA RD	APPLE VALLEY, CA, 92308	San Bernardino
3080-031-02	PO BOX 401212	HESPERIA	CA	92340	22601 BEAR VALLEY RD	APPLE VALLEY, CA, 92308	San Bernardino
0439-393-27	15 LEE	IRVINE	CA	92620	N/AVAIL	APPLE VALLEY, CA, 92308	San Bernardino
0439-393-07	1501 S OLIVE AVE	ALHAMBRA	CA	91803	BEAR VALLEY RD	APPLE VALLEY, CA, 92308	San Bernardino
0434-351-39	11021 KIOWA RD	APPLE VALLEY	CA	92308	11021 KIOWA RD	APPLE VALLEY, CA, 92308	San Bernardino
3080-021-14	3290 GEORGIA PL	COSTA MESA	CA	92626	N/AVAIL	APPLE VALLEY, CA, 92308	San Bernardino
0435-104-08	3433 STETSON AVE	SAN DIEGO	CA	92122	N/AVAIL	APPLE VALLEY, CA, 92308	San Bernardino
0434-183-31	20489 WREN ST	APPLE VALLEY	CA	92308	20489 WREN ST	APPLE VALLEY, CA, 92308	San Bernardino

**Coolwater-Lugo Transmission Project
Ownership Mailing List for Notice of Amended Application for CPCN**

APN	MAILING ADDRESS	MAILING CITY	STATE	ZIP	SITUS ADDRESS	SITUS CITY/STATE/ZIP	SITUS COUNTY
0434-291-02	20980 OPATA RD	APPLE VALLEY	CA	92308	20980 OPATA RD	APPLE VALLEY, CA, 92308	San Bernardino
0434-177-18	11017 MERINO AVE	APPLE VALLEY	CA	92308	11017 MERINO AVE	APPLE VALLEY, CA, 92308	San Bernardino
0434-201-43	PO BOX 1302	APPLE VALLEY	CA	92307	DEEP CREEK RD	APPLE VALLEY, CA, 92308	San Bernardino
0434-443-06	28962 N GARNET CYN DR	SAUGUS	CA	91350	12080 NAVAJO RD	APPLE VALLEY, CA, 92308	San Bernardino
0439-411-32	1270 SIERRA MADRE BLVD	SAN MARINO	CA	91108	N/AVAIL	APPLE VALLEY, CA, 92308	San Bernardino
3080-191-42	11245 TUJUNGA RD	APPLE VALLEY	CA	92308	11245 TUJUNGA RD	APPLE VALLEY, CA, 92308	San Bernardino
0434-183-19	10695 LANCELET AVE	APPLE VALLEY	CA	92308	10695 LANCELET AVE	APPLE VALLEY, CA, 92308	San Bernardino
3080-191-51	1011 TUJUNGA RD	APPLE VALLEY	CA	92307	11011 TUJUNGA RD	APPLE VALLEY, CA, 92308	San Bernardino
0434-571-13	PO BOX 2895	APPLE VALLEY	CA	92307	20887 OTOWI RD	APPLE VALLEY, CA, 92308	San Bernardino
0434-361-06	15046 MIAMI RD	APPLE VALLEY	CA	92307	20991 BEAR VALLEY RD	APPLE VALLEY, CA, 92308	San Bernardino
0435-104-03	N/AVAIL	N/AVAIL	N/AVAIL	N/AVAIL	N/AVAIL	APPLE VALLEY, CA, 92308	San Bernardino
0434-311-12	11426 SARATOGA RD	APPLE VALLEY	CA	92308	11426 SARATOGA RD	APPLE VALLEY, CA, 92308	San Bernardino
0434-341-16	1975 BLENHEIM ST	RIVERSIDE	CA	92507	11248 SARATOGA RD	APPLE VALLEY, CA, 92308	San Bernardino
0434-351-07	11020 NEOLA RD	APPLE VALLEY	CA	92308	11020 NEOLA RD	APPLE VALLEY, CA, 92308	San Bernardino
0439-411-23	3595 INLAND EMPIRE BLVD	ONTARIO	CA	91764	N/AVAIL	APPLE VALLEY, CA, 92308	San Bernardino
3080-211-07	10858 VALLEY VISTA AVE	APPLE VALLEY	CA	92308	10858 VALLEY VISTA AVE	APPLE VALLEY, CA, 92308	San Bernardino
0434-183-26	22351 SAINT MINAS CT	COLTON	CA	92324	10815 MERINO AVE	APPLE VALLEY, CA, 92308	San Bernardino
0435-611-20	PO BOX 55	VICTORVILLE	CA	92393	24634 TUSSING RANCH RD	APPLE VALLEY, CA, 92308	San Bernardino
3080-191-41	N/AVAIL	N/AVAIL	N/AVAIL	N/AVAIL	N/AVAIL	APPLE VALLEY, CA, 92308	San Bernardino
3080-211-49	10575 TUJUNGA RD	APPLE VALLEY	CA	92308	10575 TUJUNGA RD	APPLE VALLEY, CA, 92308	San Bernardino
0434-362-02	11931 KIOWA	APPLE VALLEY	CA	92307	11931 KIOWA RD	APPLE VALLEY, CA, 92308	San Bernardino
0435-098-15	7325 FERNDALE AVE	FONTANA	CA	92336	N/AVAIL	APPLE VALLEY, CA, 92308	San Bernardino
0434-183-18	10675 LANCELOT AVE	APPLE VALLEY	CA	92307	10675 LANCELET AVE	APPLE VALLEY, CA, 92308	San Bernardino
0434-214-26	9828 E NAOMI AVE	ARCADIA	CA	91007	N/AVAIL	APPLE VALLEY, CA, 92308	San Bernardino
3087-671-05	PO BOX 423	RUNNING SPRINGS	CA	92382	N/AVAIL	APPLE VALLEY, CA, 92308	San Bernardino
0438-012-64	20315 TUSSING RANCH RD	APPLE VALLEY	CA	92308	20315 TUSSING RANCH RD	APPLE VALLEY, CA, 92308	San Bernardino
0438-231-15	9728 N SHORE DR	SAND POINT	MI	48755	N/AVAIL	APPLE VALLEY, CA, 92308	San Bernardino
0434-183-03	2107 YACHT MISCHIEF	NEWPORT BEACH	CA	92660	10850 KIOWA RD	APPLE VALLEY, CA, 92308	San Bernardino
0438-072-64	10455 VALLEY VISTA AVE	APPLE VALLEY	CA	92308	10455 VALLEY VISTA AVE	APPLE VALLEY, CA, 92308	San Bernardino
0439-393-22	1270 SIERRA MADRE BLVD	SAN MARINO	CA	91108	N/AVAIL	APPLE VALLEY, CA, 92308	San Bernardino
3080-032-24	536 N DEL SOL LN	DIAMOND BAR	CA	91765	N/AVAIL	APPLE VALLEY, CA, 92308	San Bernardino
0438-032-42	PO BOX 3569	APPLE VALLEY	CA	92307	10500 CARIBOU AVE	APPLE VALLEY, CA, 92308	San Bernardino
0434-221-38	630 E Foothill Blvd	SAN DIMAS	CA	91773	10553 KIOWA RD	APPLE VALLEY, CA, 92308	San Bernardino
3080-011-14	839 SUZANNE CT	LANGLEY	WA	98260	N/AVAIL	APPLE VALLEY, CA, 92308	San Bernardino
3080-022-06	PO BOX 401681	HESPERIA	CA	92340	11575 TUJUNGA RD	APPLE VALLEY, CA, 92308	San Bernardino
0434-311-04	11441 KIOWA RD	APPLE VALLEY	CA	92308	11441 KIOWA RD	APPLE VALLEY, CA, 92308	San Bernardino
0434-367-06	21166 LAGUNA RD	APPLE VALLEY	CA	92308	21166 LAGUNA RD	APPLE VALLEY, CA, 92308	San Bernardino
0434-367-15	3401 RED ROSE DR	ENCINO	CA	91436	N/AVAIL	APPLE VALLEY, CA, 92308	San Bernardino

**Coolwater-Lugo Transmission Project
Ownership Mailing List for Notice of Amended Application for CPCN**

APN	MAILING ADDRESS	MAILING CITY	STATE	ZIP	SITUS ADDRESS	SITUS CITY/STATE/ZIP	SITUS COUNTY
0434-177-13	10945 MERINO AVE	APPLE VALLEY	CA	92308	10945 MERINO AVE	APPLE VALLEY, CA, 92308	San Bernardino
3087-571-67	7537 COASTAL VIEW DR	LOS ANGELES	CA	90045	BEAR VALLEY RD	APPLE VALLEY, CA, 92307	San Bernardino
3080-191-43	12820 SHORT AVE	LOS ANGELES	CA	90066	11237 TUJUNGA RD	APPLE VALLEY, CA, 92308	San Bernardino
0434-177-07	10970 KIOWA RD	APPLE VALLEY	CA	92308	10970 KIOWA RD	APPLE VALLEY, CA, 92308	San Bernardino
3080-211-20	10872 TUJUNGA RD	APPLE VALLEY	CA	92308	10872 TUJUNGA RD	APPLE VALLEY, CA, 92308	San Bernardino
3087-671-04	PO BOX 2380	APPLE VALLEY	CA	92307	21350 OUTER BEAR VALLEY RD	APPLE VALLEY, CA, 92308	San Bernardino
0434-341-21	44014 KIRKLAND AVE	LANCASTER	CA	93535	N/AVAIL	APPLE VALLEY, CA, 92308	San Bernardino
3080-031-07	18450 FLORA DR	YORBA LINDA	CA	92886	BEAR VALLEY RD	APPLE VALLEY, CA, 92307	San Bernardino
3080-212-23	PO BOX 27936	ANAHEIM	CA	92809	TUSSING RANCH RD	APPLE VALLEY, CA, 92308	San Bernardino
3080-032-28	23200 BEAR VALLEY RD	APPLE VALLEY	CA	92308	23200 BEAR VALLEY RD	APPLE VALLEY, CA, 92308	San Bernardino
0434-385-06	11768 CHIMAYO RD	APPLE VALLEY	CA	92308	11768 CHIMAYO RD	APPLE VALLEY, CA, 92308	San Bernardino
3087-491-09	6399 WILSHIRE BLVD	LOS ANGELES	CA	90048	21680 BEAR VALLEY RD	APPLE VALLEY, CA, 92308	San Bernardino
0438-072-54	11168 BEAR DR	FARMINGTON	AR	72730	N/AVAIL	APPLE VALLEY, CA, 92308	San Bernardino
0435-098-10	13422 OGUNQUIT AVE	POWAY	CA	92064	N/AVAIL	APPLE VALLEY, CA, 92308	San Bernardino
0434-201-48	21910 HIGHWAY 18	APPLE VALLEY	CA	92307	N/AVAIL	APPLE VALLEY, CA, 92308	San Bernardino
3080-051-10	212 S PALM AVE	ALHAMBRA	CA	91801	N/AVAIL	APPLE VALLEY, CA, 92308	San Bernardino
0434-361-16	470 GRACELAND DR	LAGUNA BEACH	CA	92651	21000 LAGUNA RD	APPLE VALLEY, CA, 92308	San Bernardino
0434-371-03	21319 OUTER BEAR VALLEY RD	APPLE VALLEY	CA	92307	21319 BEAR VALLEY RD	APPLE VALLEY, CA, 92308	San Bernardino
0434-361-12	21074 LAGUNA RD	APPLE VALLEY	CA	92308	21074 LAGUNA RD	APPLE VALLEY, CA, 92308	San Bernardino
3080-021-11	68 BROOK LN	BERLIN	MA	1503	N/AVAIL	APPLE VALLEY, CA, 92308	San Bernardino
0435-098-18	20391 SHOSHONEE RD	APPLE VALLEY	CA	92307	N/AVAIL	APPLE VALLEY, CA, 92308	San Bernardino
3087-532-27	12901 GALEWOOD ST	APPLE VALLEY	CA	92308	N/AVAIL	APPLE VALLEY, CA, 92308	San Bernardino
0434-367-05	12769 RED WING RD	APPLE VALLEY	CA	92308	21176 LAGUNA RD	APPLE VALLEY, CA, 92308	San Bernardino
0435-098-42	565 RANCHO LA MIRADA LN	ESCONDIDO	CA	92025	N/AVAIL	APPLE VALLEY, CA, 92308	San Bernardino
3080-032-16	1107 W SERVICE AVE	WEST COVINA	CA	91790	BEAR VALLEY RD	APPLE VALLEY, CA, 92308	San Bernardino
0435-104-07	PO BOX 3922	SAN BERNARDINO	CA	92413	N/AVAIL	APPLE VALLEY, CA, 92308	San Bernardino
0438-032-43	10464 CARIBOU AVE	APPLE VALLEY	CA	92308	10464 CARIBOU AVE	APPLE VALLEY, CA, 92308	San Bernardino
0434-172-10	10758 COCHITI RD	APPLE VALLEY	CA	92308	11246 KIOWA PL	APPLE VALLEY, CA, 92308	San Bernardino
3080-011-10	5451 LOGAN AVE	SAN DIEGO	CA	92114	N/AVAIL	APPLE VALLEY, CA, 92308	San Bernardino
3080-191-52	23663 LAUREL ST	APPLE VALLEY	CA	92308	N/AVAIL	APPLE VALLEY, CA, 92308	San Bernardino
0434-183-17	10655 LANCELET AVE	APPLE VALLEY	CA	92308	10655 LANCELET AVE	APPLE VALLEY, CA, 92308	San Bernardino
0434-351-03	11070 NEOLA RD	APPLE VALLEY	CA	92308	11070 NEOLA RD	APPLE VALLEY, CA, 92308	San Bernardino
0434-361-22	PO BOX 292527	PHELAN	CA	92329	21041 BEAR VALLEY RD	APPLE VALLEY, CA, 92308	San Bernardino
3087-532-20	21920 BEAR VALLEY RD	APPLE VALLEY	CA	92308	21920 BEAR VALLEY RD	APPLE VALLEY, CA, 92308	San Bernardino
0434-183-07	12562 JAYHAWK CT	PENN VALLEY	CA	95946	10776 KIOWA RD	APPLE VALLEY, CA, 92308	San Bernardino
0435-098-41	2157 HANFORD DR	SAN DIEGO	CA	92111	N/AVAIL	APPLE VALLEY, CA, 92308	San Bernardino
3087-671-03	19924 SUNSET LN	APPLE VALLEY	CA	92308	21340 BEAR VALLEY RD	APPLE VALLEY, CA, 92308	San Bernardino
3080-211-38	10628 TUJUNGA RD	APPLE VALLEY	CA	92308	10628 TUJUNGA RD	APPLE VALLEY, CA, 92308	San Bernardino

**Coolwater-Lugo Transmission Project
Ownership Mailing List for Notice of Amended Application for CPCN**

APN	MAILING ADDRESS	MAILING CITY	STATE	ZIP	SITUS ADDRESS	SITUS CITY/STATE/ZIP	SITUS COUNTY
3087-454-29	1110 DEXTER PL	ESCONDIDO	CA	92029	BEAR VLY	APPLE VALLEY, CA, 92308	San Bernardino
0435-104-57	5518 S RIM ST	WESTLAKE VILLAGE	CA	91362	N/AVAIL	APPLE VALLEY, CA, 92308	San Bernardino
0435-098-01	1448 W FLOURNOY ST	CHICAGO	IL	60607	N/AVAIL	APPLE VALLEY, CA, 92308	San Bernardino
0434-183-04	1309 4TH ST	SIMI VALLEY	CA	93065	N/AVAIL	APPLE VALLEY, CA, 92308	San Bernardino
0435-098-34	8454 PATHOS CT	SAN DIEGO	CA	92129	N/AVAIL	APPLE VALLEY, CA, 92308	San Bernardino
3080-021-18	3109 S SALTA ST	SANTA ANA	CA	92704	N/AVAIL	APPLE VALLEY, CA, 92308	San Bernardino
0434-351-35	10965 KIOWA RD	APPLE VALLEY	CA	92308	10965 KIOWA RD	APPLE VALLEY, CA, 92308	San Bernardino
3087-671-01	6 BAYMARE RD	BELL CANYON	CA	91307	N/AVAIL	APPLE VALLEY, CA, 92308	San Bernardino
0434-214-05	20911 WREN ST	APPLE VALLEY	CA	92308	20911 WREN ST	APPLE VALLEY, CA, 92308	San Bernardino
0434-201-19	26205 GOLADA	MISSION VIEJO	CA	92692	N/AVAIL	APPLE VALLEY, CA, 92308	San Bernardino
0434-183-20	10711 LANCELET AVE	APPLE VALLEY	CA	92308	10711 LANCELET AVE	APPLE VALLEY, CA, 92308	San Bernardino
0434-367-09	21120 LAGUNA RD	APPLE VALLEY	CA	92308	21120 LAGUNA RD	APPLE VALLEY, CA, 92308	San Bernardino
3087-491-11	2610 29TH ST	SANTA MONICA	CA	90405	21550 BEAR VALLEY RD	APPLE VALLEY, CA, 92308	San Bernardino
3080-212-08	2265 N CEDAR AVE	RIALTO	CA	92377	N/AVAIL	APPLE VALLEY, CA, 92308	San Bernardino
0434-183-15	1018 W DUARTE RD	ARCADIA	CA	91007	N/AVAIL	APPLE VALLEY, CA, 92308	San Bernardino
0434-371-10	443 CALLE DE CASTELLANA	REDONDO BEACH	CA	90277	21350 LAGUNA RD	APPLE VALLEY, CA, 92308	San Bernardino
3087-453-02	21270 BEAR VALLEY RD	APPLE VALLEY	CA	92308	21270 BEAR VALLEY RD	APPLE VALLEY, CA, 92308	San Bernardino
0434-351-38	319 MAIN ST	EL SEGUNDO	CA	90245	11007 KIOWA RD	APPLE VALLEY, CA, 92308	San Bernardino
0439-393-08	23201 MILL CREEK DR	LAGUNA HILLS	CA	92653	N/AVAIL	APPLE VALLEY, CA, 92308	San Bernardino
0434-311-06	11463 KIOWA RD	APPLE VALLEY	CA	92308	11463 KIOWA RD	APPLE VALLEY, CA, 92308	San Bernardino
3080-191-32	11106 TUJUNGA RD	APPLE VALLEY	CA	92308	11106 TUJUNGA RD	APPLE VALLEY, CA, 92308	San Bernardino
0438-072-38	12568 STANDING BEAR RD	APPLE VALLEY	CA	92308	N/AVAIL	APPLE VALLEY, CA, 92308	San Bernardino
0434-385-01	11811 PUYE RD	APPLE VALLEY	CA	92308	11811 PUYE RD	APPLE VALLEY, CA, 92308	San Bernardino
3087-491-06	2610 29TH ST	SANTA MONICA	CA	90405	21640 BEAR VALLEY RD	APPLE VALLEY, CA, 92308	San Bernardino
3087-531-18	21834 BEAR VALLEY RD	APPLE VALLEY	CA	92308	21834 BEAR VALLEY RD	APPLE VALLEY, CA, 92308	San Bernardino
3080-022-02	11375 TUJUNGA RD	APPLE VALLEY	CA	92308	11375 TUJUNGA RD	APPLE VALLEY, CA, 92308	San Bernardino
3080-211-14	20220 SORRENTO LN	PORTER RANCH	CA	91326	N/AVAIL	APPLE VALLEY, CA, 92308	San Bernardino
0434-384-05	8363 HELMS AVE	RANCHO CUCAMONGA	CA	91730	11875 KIOWA RD	APPLE VALLEY, CA, 92308	San Bernardino
3087-454-20	4705 LOS FELIZ BLVD	LOS ANGELES	CA	90027	N/AVAIL	APPLE VALLEY, CA, 92308	San Bernardino
0434-221-40	3409 CASTLEMAN LN	BURBANK	CA	91504	N/AVAIL	APPLE VALLEY, CA, 92308	San Bernardino
0434-341-10	11257 KIOWA RD	APPLE VALLEY	CA	92308	11257 KIOWA RD	APPLE VALLEY, CA, 92308	San Bernardino
3087-532-19	10687 6TH AVE	HESPERIA	CA	92345	21942 BEAR VALLEY RD	APPLE VALLEY, CA, 92308	San Bernardino
3087-671-10	21450 BEAR VALLEY RD	APPLE VALLEY	CA	92308	21450 BEAR VALLEY RD	APPLE VALLEY, CA, 92308	San Bernardino
0434-443-08	PO BOX 311	APPLE VALLEY	CA	92307	21670 LAGUNA RD	APPLE VALLEY, CA, 92308	San Bernardino
0434-183-12	8506 E WOODCOVE DR	ANAHEIM	CA	92808	10674 KIOWA RD	APPLE VALLEY, CA, 92308	San Bernardino
0434-183-02	2107 YACHT MISCHIEF	NEWPORT BEACH	CA	92660	10868 KIOWA RD	APPLE VALLEY, CA, 92308	San Bernardino
3087-531-26	3310 E 59TH ST	LONG BEACH	CA	90805	BEAR VALLEY RD	APPLE VALLEY, CA, 92308	San Bernardino
3087-451-01	PO BOX 28802	SANTA ANA	CA	92799	20920 BEAR VALLEY RD	APPLE VALLEY, CA, 92308	San Bernardino

**Coolwater-Lugo Transmission Project
Ownership Mailing List for Notice of Amended Application for CPCN**

APN	MAILING ADDRESS	MAILING CITY	STATE	ZIP	SITUS ADDRESS	SITUS CITY/STATE/ZIP	SITUS COUNTY
0434-172-19	1 GOLD BLF	IRVINE	CA	92604	11220 KIOWA PL	APPLE VALLEY, CA, 92308	San Bernardino
3080-192-16	3595 INLAND EMPIRE BLVD	ONTARIO	CA	91764	N/AVAIL	APPLE VALLEY, CA, 92308	San Bernardino
0434-442-11	16994 CANYON CREEK CIR	RIVERSIDE	CA	92503	21550 LAGUNA RD	APPLE VALLEY, CA, 92308	San Bernardino
0434-385-16	11817 KIOWA RD	APPLE VALLEY	CA	92308	11817 KIOWA RD	APPLE VALLEY, CA, 92308	San Bernardino
0434-367-08	329 VIA MORENO	POMONA	CA	91766	21130 LAGUNA RD	APPLE VALLEY, CA, 92308	San Bernardino
0434-322-09	20988 DEL ORO RD	APPLE VALLEY	CA	92308	20988 DEL ORO RD	APPLE VALLEY, CA, 92308	San Bernardino
0434-371-14	1857 N ARONMINK WAY	MERIDIAN	ID	83646	N/AVAIL	APPLE VALLEY, CA, 92308	San Bernardino
0438-072-02	1114 MICHIGAN AVE	SANTA MONICA	CA	90404	N/AVAIL	APPLE VALLEY, CA, 92308	San Bernardino
0434-291-10	11577 KIOWA RD	APPLE VALLEY	CA	92308	11577 KIOWA RD	APPLE VALLEY, CA, 92308	San Bernardino
0434-341-02	11125 KIOWA RD	APPLE VALLEY	CA	92308	11125 KIOWA RD	APPLE VALLEY, CA, 92308	San Bernardino
0434-291-22	11630 CHIMAYO RD	APPLE VALLEY	CA	92308	11630 CHIMAYO RD	APPLE VALLEY, CA, 92308	San Bernardino
3080-022-05	11769 FOREST PARK LN	VICTORVILLE	CA	92392	TUJUNGA DR	APPLE VALLEY, CA, 92308	San Bernardino
3087-531-24	21834 BEAR VALLEY RD	APPLE VALLEY	CA	92308	21852 BEAR VALLEY RD	APPLE VALLEY, CA, 92308	San Bernardino
0434-443-12	21610 LAGUNA RD	APPLE VALLEY	CA	92308	21610 LAGUNA RD	APPLE VALLEY, CA, 92308	San Bernardino
0434-311-02	11411 KIOWA RD	APPLE VALLEY	CA	92308	11411 KIOWA RD	APPLE VALLEY, CA, 92308	San Bernardino
0434-183-22	205 E HARMON AVE	LAS VEGAS	NV	89169	N/AVAIL	APPLE VALLEY, CA, 92308	San Bernardino
0434-361-11	19773 OTTAWA RD	APPLE VALLEY	CA	92308	21075 BEAR VALLEY RD	APPLE VALLEY, CA, 92308	San Bernardino
0434-341-14	11270 SARATOGA RD	APPLE VALLEY	CA	92308	11270 SARATOGA RD	APPLE VALLEY, CA, 92308	San Bernardino
0434-362-13	11910 CHIMAYO RD	APPLE VALLEY	CA	92308	11910 CHIMAYO RD	APPLE VALLEY, CA, 92308	San Bernardino
3087-454-23	19459 SHASTA RD	APPLE VALLEY	CA	92307	N/AVAIL	APPLE VALLEY, CA, 92308	San Bernardino
0434-183-16	10635 LANCELET AVE	APPLE VALLEY	CA	92308	10635 LANCELET AVE	APPLE VALLEY, CA, 92308	San Bernardino
0434-385-11	2552 W AVE	LOS ANGELES	CA	90065	KIOWA RD	APPLE VALLEY, CA, 92307	San Bernardino
0434-177-17	PO BOX 1721	APPLE VALLEY	CA	92307	11005 MERINO AVE	APPLE VALLEY, CA, 92308	San Bernardino
0434-443-01	16994 CANYON CREEK CIR	RIVERSIDE	CA	92503	12075 MORNING STAR RD	APPLE VALLEY, CA, 92308	San Bernardino
0434-201-31	903 E ORANGE GROVE AVE	BURBANK	CA	91501	N/AVAIL	APPLE VALLEY, CA, 92308	San Bernardino
0434-371-01	15331 SAVERNE CIR	IRVINE	CA	92604	N/AVAIL	APPLE VALLEY, CA, 92308	San Bernardino
3080-021-13	1410 HOLMBY AVE	LOS ANGELES	CA	90024	N/AVAIL	APPLE VALLEY, CA, 92308	San Bernardino
3080-191-36	11207 CHIPMUNK RD	APPLE VALLEY	CA	92308	11207 CHIPMUNK RD	APPLE VALLEY, CA, 92308	San Bernardino
3080-022-03	11425 TUJUNGA DR	APPLE VALLEY	CA	92307	11425 TUJUNGA RD	APPLE VALLEY, CA, 92308	San Bernardino
0434-291-28	6986 SUMMIT VALLEY RD	HESPERIA	CA	92345	11542 CHIMAYO RD	APPLE VALLEY, CA, 92308	San Bernardino
3080-212-21	5082 BERKELEY AVE	WESTMINSTER	CA	92683	N/AVAIL	APPLE VALLEY, CA, 92308	San Bernardino
0434-341-13	22119 SHANDIN RD	APPLE VALLEY	CA	92307	10882 SARATOGA RD	APPLE VALLEY, CA, 92308	San Bernardino
3080-032-21	12025 CANDLEWOOD RD	APPLE VALLEY	CA	92308	12025 CANDLEWOOD RD	APPLE VALLEY, CA, 92308	San Bernardino
0434-367-14	21775 US HIGHWAY 18	APPLE VALLEY	CA	92307	21139 BEAR VALLEY RD	APPLE VALLEY, CA, 92308	San Bernardino
0435-016-32	4233 HARTLE AVE	CUDAHY	CA	90201	N/AVAIL	APPLE VALLEY, CA, 92308	San Bernardino
0434-362-05	11975 KIOWA RD	APPLE VALLEY	CA	92308	11975 KIOWA RD	APPLE VALLEY, CA, 92308	San Bernardino
0434-361-18	12367 CREEKWOOD AVE	CERRITOS	CA	90703	20962 LAGUNA RD	APPLE VALLEY, CA, 92308	San Bernardino
3080-191-58	10921 TUJUNGA RD	APPLE VALLEY	CA	92308	10921 TUJUNGA RD	APPLE VALLEY, CA, 92308	San Bernardino

**Coolwater-Lugo Transmission Project
Ownership Mailing List for Notice of Amended Application for CPCN**

APN	MAILING ADDRESS	MAILING CITY	STATE	ZIP	SITUS ADDRESS	SITUS CITY/STATE/ZIP	SITUS COUNTY
0434-291-13	25 CALA D OR	LAGUNA NIGUEL	CA	92677	11621 KIOWA RD	APPLE VALLEY, CA, 92308	San Bernardino
0434-361-13	13312 RANCHERO RD STE 18 # 18 PMB 3	OAK HILLS	CA	92344	N/AVAIL	APPLE VALLEY, CA, 92308	San Bernardino
0434-374-10	PO BOX 824	VICTORVILLE	CA	92393	12055 PASCO RD	APPLE VALLEY, CA, 92308	San Bernardino
0434-601-20	11693 SANDIA PL	APPLE VALLEY	CA	92308	11693 SANDIA PL	APPLE VALLEY, CA, 92308	San Bernardino
0434-321-04	13392 YAKIMA RD	APPLE VALLEY	CA	92308	N/AVAIL	APPLE VALLEY, CA, 92308	San Bernardino
0438-072-01	N/AVAIL	N/AVAIL	N/AVAIL	N/AVAIL	N/AVAIL	APPLE VALLEY, CA, 92308	San Bernardino
0434-321-06	20930 DEL ORO RD	APPLE VALLEY	CA	92308	20930 DEL ORO RD	APPLE VALLEY, CA, 92308	San Bernardino
0434-341-05	11177 KIOWA RD	APPLE VALLEY	CA	92308	11177 KIOWA RD	APPLE VALLEY, CA, 92308	San Bernardino
0434-341-20	PO BOX 181	APPLE VALLEY	CA	92307	11180 NEOLA RD	APPLE VALLEY, CA, 92308	San Bernardino
0434-443-05	446 TOWNE AVE	LOS ANGELES	CA	90013	21669 BEAR VALLEY RD	APPLE VALLEY, CA, 92308	San Bernardino
0434-291-05	20938 OPATA RD	APPLE VALLEY	CA	92308	20938 OPATA RD	APPLE VALLEY, CA, 92308	San Bernardino
3087-454-26	15013 PALMDALE RD	VICTORVILLE	CA	92392	21070 BEAR VALLEY RD	APPLE VALLEY, CA, 92308	San Bernardino
0434-351-31	20930 WREN ST	APPLE VALLEY	CA	92308	20930 WREN ST	APPLE VALLEY, CA, 92308	San Bernardino
0434-443-11	741 ROCKING HORSE RD	WALNUT	CA	91789	21620 LAGUNA RD	APPLE VALLEY, CA, 92308	San Bernardino
0434-442-09	21580 LAGUNA RD	APPLE VALLEY	CA	92308	21580 LAGUNA RD	APPLE VALLEY, CA, 92308	San Bernardino
0434-183-09	12915 LOMPOC RD	APPLE VALLEY	CA	92308	10736 KIOWA RD	APPLE VALLEY, CA, 92308	San Bernardino
0439-411-24	6706 KENTLAND AVE	WEST HILLS	CA	91307	N/AVAIL	APPLE VALLEY, CA, 92308	San Bernardino
0434-361-07	4650 COGSWELL RD	EL MONTE	CA	91732	21011 BEAR VALLEY RD	APPLE VALLEY, CA, 92308	San Bernardino
0434-341-04	PO BOX 67	APPLE VALLEY	CA	92307	11157 KIOWA RD	APPLE VALLEY, CA, 92308	San Bernardino
0434-361-19	2198 ROANOKE RD	PASADENA	CA	91108	20946 LAGUNA RD	APPLE VALLEY, CA, 92308	San Bernardino
0434-311-09	20975 OPATA RD	APPLE VALLEY	CA	92308	20975 OPATA RD	APPLE VALLEY, CA, 92308	San Bernardino
3080-011-12	4 QUAIL CREEK LN	POMONA	CA	91766	N/AVAIL	APPLE VALLEY, CA, 92308	San Bernardino
3087-453-01	21270 BEAR VALLEY RD	APPLE VALLEY	CA	92308	21290 BEAR VALLEY RD	APPLE VALLEY, CA, 92308	San Bernardino
0434-367-17	12627 TESUQUE RD	APPLE VALLEY	CA	92308	BEAR VLY	APPLE VALLEY, CA, 92308	San Bernardino
0434-385-13	11765 KIOWA RD	APPLE VALLEY	CA	92308	11765 KIOWA RD	APPLE VALLEY, CA, 92308	San Bernardino
0434-321-05	20972 DEL ORO RD	APPLE VALLEY	CA	92308	20972 DEL ORO RD	APPLE VALLEY, CA, 92308	San Bernardino
0434-601-18	11667 SANDIA PL	APPLE VALLEY	CA	92308	11667 SANDIA PL	APPLE VALLEY, CA, 92308	San Bernardino
0434-177-06	10990 KIOWA RD	APPLE VALLEY	CA	92308	10990 KIOWA RD	APPLE VALLEY, CA, 92308	San Bernardino
0434-367-20	20250 WACO RD	APPLE VALLEY	CA	92308	N/AVAIL	APPLE VALLEY, CA, 92308	San Bernardino
0434-051-50	PO BOX 2840	BELL GARDENS	CA	90202	KIOWA RD	APPLE VALLEY, CA, 92308	San Bernardino
3087-531-19	21834 BEAR VALLEY RD	APPLE VALLEY	CA	92308	21834 BEAR VALLEY RD	APPLE VALLEY, CA, 92308	San Bernardino
3087-491-10	2610 29TH ST	SANTA MONICA	CA	90405	21630 BEAR VALLEY RD	APPLE VALLEY, CA, 92308	San Bernardino
0434-571-35	20868 DEL ORO RD	APPLE VALLEY	CA	92308	20868 DEL ORO RD	APPLE VALLEY, CA, 92308	San Bernardino
0434-051-29	1515 W 190TH ST	GARDENA	CA	90248	N/AVAIL	APPLE VALLEY, CA, 92308	San Bernardino
0434-177-02	24624 AVENUE 6 1/2	MADERA	CA	93637	11064 KIOWA RD	APPLE VALLEY, CA, 92308	San Bernardino
3080-211-39	10614 TUJUNGA RD	APPLE VALLEY	CA	92308	10614 TUJUNGA RD	APPLE VALLEY, CA, 92308	San Bernardino
0439-392-11	1918 WESTWOOD PL	POMONA	CA	91768	12123 CENTRAL RD	APPLE VALLEY, CA, 92308	San Bernardino
3080-022-08	PO BOX 286	LUCERNE VALLEY	CA	92356	11675 TUJUNGA RD	APPLE VALLEY, CA, 92308	San Bernardino

**Coolwater-Lugo Transmission Project
Ownership Mailing List for Notice of Amended Application for CPCN**

APN	MAILING ADDRESS	MAILING CITY	STATE	ZIP	SITUS ADDRESS	SITUS CITY/STATE/ZIP	SITUS COUNTY
0439-392-17	PO BOX 2224	APPLE VALLEY	CA	92307	N/AVAIL	APPLE VALLEY, CA, 92308	San Bernardino
3080-031-04	715 E EMERSON AVE	ORANGE	CA	92865	N/AVAIL	APPLE VALLEY, CA, 92308	San Bernardino
0435-104-48	3433 STETSON AVE	SAN DIEGO	CA	92122	N/AVAIL	APPLE VALLEY, CA, 92308	San Bernardino
3080-022-01	7371 VIA CARILLO	SAN DIEGO	CA	92129	N/AVAIL	APPLE VALLEY, CA, 92308	San Bernardino
0434-321-02	11360 SARATOGA RD	APPLE VALLEY	CA	92308	11360 SARATOGA RD	APPLE VALLEY, CA, 92308	San Bernardino
0434-183-05	10810 KIOWA RD	APPLE VALLEY	CA	92308	10810 KIOWA RD	APPLE VALLEY, CA, 92308	San Bernardino
0438-012-07	4802 MISSION HILLS DR	BANNING	CA	92220	N/AVAIL	APPLE VALLEY, CA, 92308	San Bernardino
0434-341-06	7017 ETON AVE	CANOGA PARK	CA	91303	11191 KIOWA RD	APPLE VALLEY, CA, 92308	San Bernardino
3087-532-17	19436 ROYAL OAKS RD	APPLE VALLEY	CA	92308	BEAR VALLEY RD	APPLE VALLEY, CA, 92307	San Bernardino
3080-192-03	PO BOX 5416	NORCO	CA	92860	N/AVAIL	APPLE VALLEY, CA, 92307	San Bernardino
3080-031-01	PO BOX 64321	LOS ANGELES	CA	90064	BEAR VALLEY RD	APPLE VALLEY, CA, 92307	San Bernardino
3087-454-18	4705 LOS FELIZ BLVD	LOS ANGELES	CA	90027	N/AVAIL	APPLE VALLEY, CA, 92308	San Bernardino
3080-191-40	11224 TUJUNGA RD	APPLE VALLEY	CA	92308	11224 TUJUNGA RD	APPLE VALLEY, CA, 92308	San Bernardino
0438-072-61	422 WESTCHESTER PL	FULLERTON	CA	92835	N/AVAIL	APPLE VALLEY, CA, 92308	San Bernardino
0435-017-17	11215 HICKORY AVE	HESPERIA	CA	92345	N/AVAIL	APPLE VALLEY, CA, 92308	San Bernardino
3087-671-07	17868 HIGHWAY 18	APPLE VALLEY	CA	92307	21400 BEAR VALLEY RD	APPLE VALLEY, CA, 92308	San Bernardino
3080-192-09	500 N STATE COLLEGE BLVD	ORANGE	CA	92868	N/AVAIL	APPLE VALLEY, CA, 92307	San Bernardino
3080-051-11	212 S PALM AVE	ALHAMBRA	CA	91801	N/AVAIL	APPLE VALLEY, CA, 92308	San Bernardino
3080-211-37	2552 N JUSTIN AVE	SIMI VALLEY	CA	93065	10631 CHIPMUNK RD	APPLE VALLEY, CA, 92308	San Bernardino
0434-371-07	16874 CANDLEWOOD RD	APPLE VALLEY	CA	92307	12070 PASCO RD	APPLE VALLEY, CA, 92308	San Bernardino
0434-214-04	10861 KIOWA RD	APPLE VALLEY	CA	92308	10861 KIOWA RD	APPLE VALLEY, CA, 92308	San Bernardino
0434-311-11	11434 SARATOGA RD	APPLE VALLEY	CA	92308	11434 SARATOGA RD	APPLE VALLEY, CA, 92308	San Bernardino
3080-022-07	817 POMELLO DR	CLAREMONT	CA	91711	TUJUNGA RD	APPLE VALLEY, CA, 92307	San Bernardino
0434-322-10	15041 BEECHWOOD LN	CHINO HILLS	CA	91709	11315 OTOWI RD	APPLE VALLEY, CA, 92308	San Bernardino
0438-032-40	4352 EMERALDA ST	LOS ANGELES	CA	90032	20833 TUSSING RANCH RD	APPLE VALLEY, CA, 92308	San Bernardino
3087-454-24	16244 MARICOPA LN	APPLE VALLEY	CA	92307	N/AVAIL	APPLE VALLEY, CA, 92308	San Bernardino
0434-183-06	12562 JAYHAWK CT	PENN VALLEY	CA	95946	10786 KIOWA RD	APPLE VALLEY, CA, 92308	San Bernardino
3080-212-06	310 HEMLOCK DR	LANOKA HARBOR	NJ	8734	N/AVAIL	APPLE VALLEY, CA, 92308	San Bernardino
0438-032-45	10461 CARIBOU AVE	APPLE VALLEY	CA	92308	10461 CARIBOU AVE	APPLE VALLEY, CA, 92308	San Bernardino
0434-351-04	11050 NEOALA RD	APPLE VALLEY	CA	92308	11050 NEOALA RD	APPLE VALLEY, CA, 92308	San Bernardino
0434-571-14	20871 OTOWI RD	APPLE VALLEY	CA	92308	20871 OTOWI RD	APPLE VALLEY, CA, 92308	San Bernardino
3087-491-01	9116 SUNLAND BLVD	SUN VALLEY	CA	91352	21560 BEAR VALLEY RD	APPLE VALLEY, CA, 92308	San Bernardino
3087-671-08	40006 VIA GRAZIANA	MURRIETA	CA	92562	N/AVAIL	APPLE VALLEY, CA, 92308	San Bernardino
3080-013-01	11755 TUJUNGA RD	APPLE VALLEY	CA	92308	11755 TUJUNGA RD	APPLE VALLEY, CA, 92308	San Bernardino
0434-367-11	5524 VIA ESCALANTE	RIVERSIDE	CA	92509	21101 BEAR VALLEY RD	APPLE VALLEY, CA, 92308	San Bernardino
3087-532-26	12901 GALEWOOD ST	APPLE VALLEY	CA	92308	22060 BEAR VALLEY RD	APPLE VALLEY, CA, 92308	San Bernardino
0439-411-38	17905 PARTHENIA ST	NORTHBRIDGE	CA	91325	N/AVAIL	APPLE VALLEY, CA, 92308	San Bernardino
3087-532-28	12901 GALEWOOD ST	APPLE VALLEY	CA	92308	N/AVAIL	APPLE VALLEY, CA, 92308	San Bernardino

**Coolwater-Lugo Transmission Project
Ownership Mailing List for Notice of Amended Application for CPCN**

APN	MAILING ADDRESS	MAILING CITY	STATE	ZIP	SITUS ADDRESS	SITUS CITY/STATE/ZIP	SITUS COUNTY
0434-291-24	1045 E VALLEY BLVD	SAN GABRIEL	CA	91776	11590 CHIMAYO RD	APPLE VALLEY, CA, 92308	San Bernardino
0439-393-09	12555 NAVAJO RD	APPLE VALLEY	CA	92308	N/AVAIL	APPLE VALLEY, CA, 92308	San Bernardino
0434-173-09	11150 LANCELET AVE	APPLE VALLEY	CA	92308	11150 LANCELET AVE	APPLE VALLEY, CA, 92308	San Bernardino
0434-051-85	1527 W 13TH ST	UPLAND	CA	91786	20815 BEAR VALLEY RD	APPLE VALLEY, CA, 92308	San Bernardino
3080-192-17	1260 HAUSER BLVD	LOS ANGELES	CA	90019	N/AVAIL	APPLE VALLEY, CA, 92308	San Bernardino
3087-454-28	210 W ROSECREST AVE	LA HABRA	CA	90631	21044 BEAR VALLEY RD	APPLE VALLEY, CA, 92308	San Bernardino
0434-183-23	N/AVAIL	LONG BEACH	CA	90805	10767 MERINO AVE	APPLE VALLEY, CA, 92308	San Bernardino
0434-442-06	2844 PINELAWN DR	LA CRESCENTA	CA	91214	21547 BEAR VALLEY RD	APPLE VALLEY, CA, 92308	San Bernardino
0434-371-12	9281 LETHBRIDGE WAY	SAN DIEGO	CA	92129	LAGUNA RD	APPLE VALLEY, CA, 92307	San Bernardino
0434-442-10	102 LINDA ISLE	NEWPORT BEACH	CA	92660	21560 LAGUNA RD	APPLE VALLEY, CA, 92308	San Bernardino
3080-191-29	15443 VALLEJO ST	VICTORVILLE	CA	92395	11033 CHIPMUNK RD	APPLE VALLEY, CA, 92308	San Bernardino
0434-362-01	11911 KIOWA RD	APPLE VALLEY	CA	92308	11911 KIOWA RD	APPLE VALLEY, CA, 92308	San Bernardino
0434-213-06	20920 RAMBLING RD	APPLE VALLEY	CA	92308	20920 RAMBLING RD	APPLE VALLEY, CA, 92308	San Bernardino
3087-454-17	4705 LOS FELIZ BLVD	LOS ANGELES	CA	90027	N/AVAIL	APPLE VALLEY, CA, 92308	San Bernardino
0434-385-10	11711 KIOWA RD	APPLE VALLEY	CA	92308	11711 KIOWA RD	APPLE VALLEY, CA, 92308	San Bernardino
0434-172-07	9311 DEWEY DR	GARDEN GROVE	CA	92841	20869 DEL ORO RD	APPLE VALLEY, CA, 92308	San Bernardino
0434-173-08	11195 CARIBOU AVE	APPLE VALLEY	CA	92308	11195 CARIBOU AVE	APPLE VALLEY, CA, 92308	San Bernardino
3087-532-23	12163 TOLTEC DR	APPLE VALLEY	CA	92308	21990 BEAR VALLEY RD	APPLE VALLEY, CA, 92308	San Bernardino
0434-443-04	16994 CANYON CREEK CIR	RIVERSIDE	CA	92503	21655 OUTER BEAR VALLEY RD	APPLE VALLEY, CA, 92307	San Bernardino
0435-098-16	3623 CONTOUR PL	CARLSBAD	CA	92010	N/AVAIL	APPLE VALLEY, CA, 92308	San Bernardino
0434-172-08	20885 DEL ORO RD	APPLE VALLEY	CA	92308	20885 DEL ORO RD	APPLE VALLEY, CA, 92308	San Bernardino
3080-211-40	10665 TUJUNGA RD	APPLE VALLEY	CA	92308	10665 TUJUNGA RD	APPLE VALLEY, CA, 92308	San Bernardino
0434-367-07	3014 ABER ST	SAN DIEGO	CA	92117	N/AVAIL	APPLE VALLEY, CA, 92308	San Bernardino
0434-442-03	21501 BEAR VALLEY RD	APPLE VALLEY	CA	92308	21501 BEAR VALLEY RD	APPLE VALLEY, CA, 92308	San Bernardino
3087-491-08	2610 29TH ST	SANTA MONICA	CA	90405	21680 BEAR VALLEY RD	APPLE VALLEY, CA, 92308	San Bernardino
3080-022-16	PO BOX 608	APPLE VALLEY	CA	92307	N/AVAIL	APPLE VALLEY, CA, 92307	San Bernardino
3080-022-04	21184 MERLOT LN	APPLE VALLEY	CA	92308	N/AVAIL	APPLE VALLEY, CA, 92308	San Bernardino
0434-351-02	11090 NEOLA RD	APPLE VALLEY	CA	92308	11090 NEOLA RD	APPLE VALLEY, CA, 92308	San Bernardino
0434-362-07	1506 MONTEBELLO DR	SUISUN CITY	CA	94585	12009 KIOWA RD	APPLE VALLEY, CA, 92308	San Bernardino
3087-454-19	4705 LOS FELIZ BLVD	LOS ANGELES	CA	90027	N/AVAIL	APPLE VALLEY, CA, 92308	San Bernardino
0438-012-65	20333 TUSSING RANCH RD	APPLE VALLEY	CA	92308	20333 TUSSING RANCH RD	APPLE VALLEY, CA, 92308	San Bernardino
0439-392-18	10823 GARVEY AVE	EL MONTE	CA	91733	BEAR VALLEY RD	APPLE VALLEY, CA, 92307	San Bernardino
0434-361-04	2020 E ORANGETHORPE AVE	FULLERTON	CA	92831	20963 BEAR VALLEY RD	APPLE VALLEY, CA, 92308	San Bernardino
0434-351-40	PO BOX 4121	WOFFORD HEIGHTS	CA	93285	11045 KIOWA RD	APPLE VALLEY, CA, 92308	San Bernardino
3087-491-04	2610 29TH ST	SANTA MONICA	CA	90405	21602 BEAR VALLEY RD	APPLE VALLEY, CA, 92308	San Bernardino
0435-611-32	3913 CALLE ABRIL	SAN CLEMENTE	CA	92673	N/AVAIL	APPLE VALLEY, CA, 92308	San Bernardino
0434-221-04	12689 CEDAR ST	HESPERIA	CA	92344	10717 KIOWA RD	APPLE VALLEY, CA, 92308	San Bernardino
0434-291-15	11655 KIOWA RD	APPLE VALLEY	CA	92308	11655 KIOWA RD	APPLE VALLEY, CA, 92308	San Bernardino

**Coolwater-Lugo Transmission Project
Ownership Mailing List for Notice of Amended Application for CPCN**

APN	MAILING ADDRESS	MAILING CITY	STATE	ZIP	SITUS ADDRESS	SITUS CITY/STATE/ZIP	SITUS COUNTY
0435-611-19	3488 S RIO CAMINO ST	SALT LAKE CITY	UT	84119	N/AVAIL	APPLE VALLEY, CA, 92308	San Bernardino
3080-212-19	23830 TUSSING RANCH RD	APPLE VALLEY	CA	92308	23830 TUSSING RANCH RD	APPLE VALLEY, CA, 92308	San Bernardino
3080-211-06	PO BOX 1666	APPLE VALLEY	CA	92307	23535 WREN AND CHIPMUNK	APPLE VALLEY, CA, 92308	San Bernardino
3080-191-39	11224 TUJUNGA RD	APPLE VALLEY	CA	92308	N/AVAIL	APPLE VALLEY, CA, 92308	San Bernardino
0438-072-11	12568 STANDING BEAR RD	APPLE VALLEY	CA	92308	23940 PORTLAND RD	APPLE VALLEY, CA, 92308	San Bernardino
0434-385-03	11814 CHIMAYO RD	APPLE VALLEY	CA	92308	11814 CHIMAYO RD	APPLE VALLEY, CA, 92308	San Bernardino
3080-011-13	6542 SEQUOIA DR	YPSILANTI	MI	48197	23585 BEAR VALLEY RD	APPLE VALLEY, CA, 92308	San Bernardino
3087-671-09	21430 BEAR VALLEY RD	APPLE VALLEY	CA	92308	21430 BEAR VALLEY RD	APPLE VALLEY, CA, 92308	San Bernardino
0434-051-78	1100 W ARTESIA BLVD	COMPTON	CA	90220	20811 BEAR VALLEY RD	APPLE VALLEY, CA, 92308	San Bernardino
0434-371-06	SVL 7055	VICTORVILLE	CA	92392	21375 OUTER BEAR VALLEY HWY	APPLE VALLEY, CA, 92307	San Bernardino
3080-011-48	23682 LAS PIEDRAS RD	APPLE VALLEY	CA	92308	23624 COLONY RD	APPLE VALLEY, CA, 92308	San Bernardino
0434-361-02	450 N PROSPECT AVE	REDONDO BEACH	CA	90277	BEAR VALLEY RD	APPLE VALLEY, CA, 92307	San Bernardino
3080-192-14	12261 MISTY BLUE CT	SAN DIEGO	CA	92131	DEL ORO RD	APPLE VALLEY, CA, 92308	San Bernardino
0434-384-02	15978 OCEAN AVE	WHITTIER	CA	90604	11872 CHIMAYO RD	APPLE VALLEY, CA, 92308	San Bernardino
0434-384-06	11887 KIOWA RD	APPLE VALLEY	CA	92308	11887 KIOWA RD	APPLE VALLEY, CA, 92308	San Bernardino
0438-231-05	N/AVAIL	N/AVAIL	N/AVAIL	N/AVAIL	N/AVAIL	APPLE VALLEY, CA, 92308	San Bernardino
0434-601-19	11681 SANDIA PL	APPLE VALLEY	CA	92308	11681 SANDIA PL	APPLE VALLEY, CA, 92308	San Bernardino
0434-351-37	10991 KIOWA RD	APPLE VALLEY	CA	92308	10991 KIOWA RD	APPLE VALLEY, CA, 92308	San Bernardino
0434-351-10	10990 NEOLA CT	APPLE VALLEY	CA	92308	10990 NEOLA CT	APPLE VALLEY, CA, 92308	San Bernardino
0434-571-36	20884 DEL ORO RD	APPLE VALLEY	CA	92308	20884 DEL ORO RD	APPLE VALLEY, CA, 92308	San Bernardino
0435-016-29	CHUNG NAM CHUN AN CITY BACKSUKDCN	N/AVAIL	N/AVAIL	N/AVAIL	N/AVAIL	APPLE VALLEY, CA, 92308	San Bernardino
0435-098-44	58 W POWELL WAY	CHANDLER	AZ	85248	N/AVAIL	APPLE VALLEY, CA, 92308	San Bernardino
0438-012-01	10455 DEEP CREEK RD	APPLE VALLEY	CA	92308	10455 DEEP CREEK RD	APPLE VALLEY, CA, 92308	San Bernardino
0434-221-05	516 N GREENCRAIG RD	LOS ANGELES	CA	90049	N/AVAIL	APPLE VALLEY, CA, 92308	San Bernardino
0434-213-02	10767 KIOWA RD	APPLE VALLEY	CA	92308	10767 KIOWA RD	APPLE VALLEY, CA, 92308	San Bernardino
0438-072-04	14582 NEWLAND ST	MIDWAY CITY	CA	92655	N/AVAIL	APPLE VALLEY, CA, 92308	San Bernardino
3080-211-61	23560 TUSSING RANCH RD	APPLE VALLEY	CA	92308	23560 TUSSING RANCH RD	APPLE VALLEY, CA, 92308	San Bernardino
0434-051-86	1100 W ARTESIA BLVD	COMPTON	CA	90220	N/AVAIL	APPLE VALLEY, CA, 92308	San Bernardino
0434-291-21	19946 CHICKASAW RD	APPLE VALLEY	CA	92307	11644 CHIMAYO RD	APPLE VALLEY, CA, 92308	San Bernardino
3087-671-02	6 BAYMARE RD	BELL CANYON	CA	91307	N/AVAIL	APPLE VALLEY, CA, 92308	San Bernardino
0435-621-32	PO BOX 173231	ARLINGTON	TX	76003	N/AVAIL	APPLE VALLEY, CA, 92308	San Bernardino
0434-367-21	20250 WACO RD	APPLE VALLEY	CA	92308	BEAR VALLEY RD	APPLE VALLEY, CA, 92307	San Bernardino
3080-051-06	1840 W WHITTIER BLVD	LA HABRA	CA	90631	22023 BEAR VALLEY RD	APPLE VALLEY, CA, 92308	San Bernardino
3080-201-12	40 LAKE FOREST CT	SAN FRANCISCO	CA	94131	N/AVAIL	APPLE VALLEY, CA, 92308	San Bernardino
0435-621-01	PO BOX 173231	ARLINGTON	TX	76003	N/AVAIL	APPLE VALLEY, CA, 92308	San Bernardino
0434-321-07	11325 KIOWA RD	APPLE VALLEY	CA	92308	11325 KIOWA RD	APPLE VALLEY, CA, 92308	San Bernardino
0434-341-15	11260 SARATOGA RD	APPLE VALLEY	CA	92308	11260 SARATOGA RD	APPLE VALLEY, CA, 92308	San Bernardino
0434-321-09	10635 ROXBURY AVE	BLOOMINGTON	CA	92316	11355 KIOWA RD	APPLE VALLEY, CA, 92308	San Bernardino

**Coolwater-Lugo Transmission Project
Ownership Mailing List for Notice of Amended Application for CPCN**

APN	MAILING ADDRESS	MAILING CITY	STATE	ZIP	SITUS ADDRESS	SITUS CITY/STATE/ZIP	SITUS COUNTY
0434-362-08	12000 CHIMAYO RD	APPLE VALLEY	CA	92308	12000 CHIMAYO RD	APPLE VALLEY, CA, 92308	San Bernardino
0434-214-06	20935 WREN ST	APPLE VALLEY	CA	92308	20935 WREN ST	APPLE VALLEY, CA, 92308	San Bernardino
0439-411-31	PO BOX 8248	RANCHO SANTA FE	CA	92067	N/AVAIL	APPLE VALLEY, CA, 92308	San Bernardino
0434-371-05	13639 SARATOGA PL	CHINO	CA	91710	21355 BEAR VALLEY RD	APPLE VALLEY, CA, 92308	San Bernardino
0434-442-16	1219 MORNINGSIDE DR	MANHATTAN BEACH	CA	90266	21460 LAGUNA RD	APPLE VALLEY, CA, 92308	San Bernardino
3080-211-19	16247 JANINE DR	WHITTIER	CA	90603	N/AVAIL	APPLE VALLEY, CA, 92308	San Bernardino
0438-032-06	20633 TUSSING RANCH RD	APPLE VALLEY	CA	92308	20633 TUSSING RANCH RD	APPLE VALLEY, CA, 92308	San Bernardino
0434-177-08	789 OLD MILL RD	SAN MARINO	CA	91108	10950 KIOWA RD	APPLE VALLEY, CA, 92308	San Bernardino
3080-191-50	11002 LOCH AVON DR	WHITTIER	CA	90606	N/AVAIL	APPLE VALLEY, CA, 92308	San Bernardino
0434-385-08	11709 CHIMAYO RD	APPLE VALLEY	CA	92308	11734 CHIMAYO RD	APPLE VALLEY, CA, 92308	San Bernardino
0434-367-03	PO BOX 3159	APPLE VALLEY	CA	92307	21220 LAGUNA RD	APPLE VALLEY, CA, 92308	San Bernardino
3080-211-21	10761 TUJUNGA RD	APPLE VALLEY	CA	92308	10761 TUJUNGA RD	APPLE VALLEY, CA, 92308	San Bernardino
3080-011-02	4413 LYONS RD	COCONUT CREEK	FL	33073	N/AVAIL	APPLE VALLEY, CA, 92308	San Bernardino
3087-491-13	2610 29TH ST	SANTA MONICA	CA	90405	21510 BEAR VALLEY RD	APPLE VALLEY, CA, 92308	San Bernardino
0439-392-37	23201 MILL CREEK DR	LAGUNA HILLS	CA	92653	BEAR VALLEY RD	APPLE VALLEY, CA, 92308	San Bernardino
0434-311-08	20955 OPATA RD	APPLE VALLEY	CA	92308	20955 OPATA RD	APPLE VALLEY, CA, 92308	San Bernardino
3080-211-36	10661 CHIPMUNK RD	APPLE VALLEY	CA	92308	10661 CHIPMUNK RD	APPLE VALLEY, CA, 92308	San Bernardino
0434-371-04	12795 RED WING RD	APPLE VALLEY	CA	92308	21335 BEAR VALLEY RD	APPLE VALLEY, CA, 92308	San Bernardino
0434-367-02	20555 E MEGHAN CT	WALNUT	CA	91789	21232 LAGUNA RD	APPLE VALLEY, CA, 92308	San Bernardino
3087-454-30	1110 DEXTER PL	ESCONDIDO	CA	92029	21008 BEAR VALLEY RD	APPLE VALLEY, CA, 92308	San Bernardino
0435-611-18	PO BOX 6946	ORANGE	CA	92863	N/AVAIL	APPLE VALLEY, CA, 92308	San Bernardino
0434-442-12	30 HARBOR SIGHT DR	ROLLING HILLS ESTATES	CA	90274	LAGUNA RD	APPLE VALLEY, CA, 92308	San Bernardino
0434-341-07	25 BIRDSONG	IRVINE	CA	92604	11213 KIOWA RD	APPLE VALLEY, CA, 92308	San Bernardino
3080-032-15	7742 FAUST AVE	WEST HILLS	CA	91304	22915 BEAR VALLEY RD	APPLE VALLEY, CA, 92308	San Bernardino
0434-177-04	11030 KIOWA RD	APPLE VALLEY	CA	92308	11030 KIOWA RD	APPLE VALLEY, CA, 92308	San Bernardino
0435-098-29	4801 CRENSHAW BLVD	LOS ANGELES	CA	90043	N/AVAIL	APPLE VALLEY, CA, 92308	San Bernardino
0434-442-14	16994 CANYON CREEK CIR	RIVERSIDE	CA	92503	21500 LAGUNA RD	APPLE VALLEY, CA, 92308	San Bernardino
3080-191-38	PO BOX 401519	HESPERIA	CA	92340	23539 DEL ORO RD	APPLE VALLEY, CA, 92308	San Bernardino
0435-016-30	9350 BOLSA AVE	WESTMINSTER	CA	92683	N/AVAIL	APPLE VALLEY, CA, 92308	San Bernardino
0434-177-05	5180 HILLTOP RD	PHELAN	CA	92371	11010 KIOWA RD	APPLE VALLEY, CA, 92308	San Bernardino
0434-341-09	11245 KIOWA RD	APPLE VALLEY	CA	92308	11245 KIOWA RD	APPLE VALLEY, CA, 92308	San Bernardino
0434-311-05	11453 KIOWA RD	APPLE VALLEY	CA	92308	11453 KIOWA RD	APPLE VALLEY, CA, 92308	San Bernardino
0434-385-12	14 W 6TH ST	REMSEN	IA	51050	N/AVAIL	APPLE VALLEY, CA, 92308	San Bernardino
0438-012-02	20235 TUSSING RANCH RD	APPLE VALLEY	CA	92308	20235 TUSSING RANCH RD	APPLE VALLEY, CA, 92308	San Bernardino
3087-491-03	2610 29TH ST	SANTA MONICA	CA	90405	21580 BEAR VALLEY RD	APPLE VALLEY, CA, 92308	San Bernardino
0434-213-04	20940 RAMBLING RD	APPLE VALLEY	CA	92308	20940 RAMBLING RD	APPLE VALLEY, CA, 92308	San Bernardino
0434-291-23	11616 CHIMAYO RD	APPLE VALLEY	CA	92308	11616 CHIMAYO RD	APPLE VALLEY, CA, 92308	San Bernardino
3087-671-11	4067 HARDWICK ST	LAKEWOOD	CA	90712	21460 BEAR VALLEY RD	APPLE VALLEY, CA, 92308	San Bernardino

**Coolwater-Lugo Transmission Project
Ownership Mailing List for Notice of Amended Application for CPCN**

APN	MAILING ADDRESS	MAILING CITY	STATE	ZIP	SITUS ADDRESS	SITUS CITY/STATE/ZIP	SITUS COUNTY
0434-442-13	30 HARBOR SIGHT DR	ROLLING HILLS ESTATES	CA	90274	N/AVAIL	APPLE VALLEY, CA, 92308	San Bernardino
0434-351-34	10945 KIOWA RD	APPLE VALLEY	CA	92308	10945 KIOWA RD	APPLE VALLEY, CA, 92308	San Bernardino
0434-442-17	2832 ZELL DR	LAGUNA BEACH	CA	92651	21450 LAGUNA RD	APPLE VALLEY, CA, 92308	San Bernardino
3087-531-39	17 BLACKSTONE RD	BOOTHBAY HARBOR	ME	4538	BEAR VALLEY RD	APPLE VALLEY, CA, 92307	San Bernardino
0434-362-10	11968 CHIMAYO RD	APPLE VALLEY	CA	92308	11968 CHIMAYO RD	APPLE VALLEY, CA, 92308	San Bernardino
0435-621-33	PO BOX 173231	ARLINGTON	TX	76003	LAGUNA SECA RD	APPLE VALLEY, CA, 92308	San Bernardino
3087-532-36	1802 CHAMBERS CT	FULLERTON	CA	92833	RUSTY CT	APPLE VALLEY, CA, 92308	San Bernardino
0434-361-05	PO BOX 3167	APPLE VALLEY	CA	92307	20975 BEAR VALLEY RD	APPLE VALLEY, CA, 92308	San Bernardino
0435-016-35	5273 E LOMITA AVE	ORANGE	CA	92869	N/AVAIL	APPLE VALLEY, CA, 92308	San Bernardino
0434-385-05	23124 CHIPETA RD	APPLE VALLEY	CA	92307	11780 CHIMAYO RD	APPLE VALLEY, CA, 92308	San Bernardino
0434-221-03	PO BOX 544	HARBOR CITY	CA	90710	N/AVAIL	APPLE VALLEY, CA, 92308	San Bernardino
3080-211-13	10821 CHIPMUNK RD	APPLE VALLEY	CA	92308	10821 CHIPMUNK RD	APPLE VALLEY, CA, 92308	San Bernardino
3087-531-42	14749 QUIVERO RD	APPLE VALLEY	CA	92307	N/AVAIL	APPLE VALLEY, CA, 92308	San Bernardino
0434-292-04	20989 SANDIA RD	APPLE VALLEY	CA	92308	20989 SANDIA RD	APPLE VALLEY, CA, 92308	San Bernardino
0438-032-03	13652 CAHUENGA RD	VICTORVILLE	CA	92392	20759 PORTLAND RD	APPLE VALLEY, CA, 92308	San Bernardino
0434-351-41	11061 KIOWA RD	APPLE VALLEY	CA	92308	11061 KIOWA RD	APPLE VALLEY, CA, 92308	San Bernardino
0434-367-13	7836 SVL BOX	VICTORVILLE	CA	92395	N/AVAIL	APPLE VALLEY, CA, 92308	San Bernardino
3080-031-05	1815 GLENDON AVE	LOS ANGELES	CA	90025	BEAR VALLEY RD	APPLE VALLEY, CA, 92307	San Bernardino
3080-191-35	11180 TUJUNGA RD	APPLE VALLEY	CA	92308	11180 TUJUNGA RD	APPLE VALLEY, CA, 92308	San Bernardino
0434-214-03	10841 KIOWA RD	APPLE VALLEY	CA	92308	10841 KIOWA RD	APPLE VALLEY, CA, 92308	San Bernardino
3080-192-07	24674 HATTON LN	CORONA	CA	92883	N/AVAIL	APPLE VALLEY, CA, 92307	San Bernardino
0434-291-12	11609 KIOWA RD	APPLE VALLEY	CA	92308	11609 KIOWA RD	APPLE VALLEY, CA, 92308	San Bernardino
0434-341-08	11227 KIOWA RD	APPLE VALLEY	CA	92308	11227 KIOWA RD	APPLE VALLEY, CA, 92308	San Bernardino
0434-361-14	21038 LAGUNA RD	APPLE VALLEY	CA	92308	21038 LAGUNA RD	APPLE VALLEY, CA, 92308	San Bernardino
0434-173-10	11140 LANCELET AVE	APPLE VALLEY	CA	92308	11140 LANCELET AVE	APPLE VALLEY, CA, 92308	San Bernardino
3087-532-25	12901 GALEWOOD ST	APPLE VALLEY	CA	92308	22040 BEAR VALLEY RD	APPLE VALLEY, CA, 92308	San Bernardino
0434-443-07	21690 LAGUNA RD	APPLE VALLEY	CA	92308	21690 LAGUNA RD	APPLE VALLEY, CA, 92308	San Bernardino
3080-032-25	536 N DEL SOL LN	DIAMOND BAR	CA	91765	N/AVAIL	APPLE VALLEY, CA, 92308	San Bernardino
0438-181-34	11124 STONE RIVER DR	ALTA LOMA	CA	91737	N/AVAIL	APPLE VALLEY, CA, 92308	San Bernardino
3080-011-49	PO BOX 1681	APPLE VALLEY	CA	92307	23574 COLONY RD	APPLE VALLEY, CA, 92308	San Bernardino
0435-098-19	37941 ORLANA CT	MURRIETA	CA	92563	LAGUNA SECA DR	APPLE VALLEY, CA, 92307	San Bernardino
0434-443-02	17100 BEAR VALLEY RD	VICTORVILLE	CA	92395	21625 BEAR VALLEY RD	APPLE VALLEY, CA, 92308	San Bernardino
0434-291-07	11527 KIOWA RD	APPLE VALLEY	CA	92308	11527 KIOWA RD	APPLE VALLEY, CA, 92308	San Bernardino
0434-371-11	13055 HIGH VISTA ST	VICTORVILLE	CA	92395	21336 LAGUNA RD	APPLE VALLEY, CA, 92308	San Bernardino
3087-532-44	13825 RIVERSIDE DR	APPLE VALLEY	CA	92307	21960 BEAR VALLEY RD	APPLE VALLEY, CA, 92308	San Bernardino
3080-011-15	839 SUZANNE CT	LANGLEY	WA	98260	N/AVAIL	APPLE VALLEY, CA, 92308	San Bernardino
0435-098-28	2055 ROBIN RD	SAN MARINO	CA	91108	N/AVAIL	APPLE VALLEY, CA, 92308	San Bernardino
3080-021-15	4618 PAULING AVE	SAN DIEGO	CA	92122	N/AVAIL	APPLE VALLEY, CA, 92308	San Bernardino

**Coolwater-Lugo Transmission Project
Ownership Mailing List for Notice of Amended Application for CPCN**

APN	MAILING ADDRESS	MAILING CITY	STATE	ZIP	SITUS ADDRESS	SITUS CITY/STATE/ZIP	SITUS COUNTY
0434-385-14	11777 KIOWA RD	APPLE VALLEY	CA	92308	11777 KIOWA RD	APPLE VALLEY, CA, 92308	San Bernardino
0434-213-01	15392 SULTANA ST	HESPERIA	CA	92345	10747 KIOWA RD	APPLE VALLEY, CA, 92308	San Bernardino
0438-012-03	1773 N BENTON WAY	LOS ANGELES	CA	90026	20277 TUSSING RANCH RD	APPLE VALLEY, CA, 92308	San Bernardino
3080-211-15	20220 SORRENTO LN	PORTER RANCH	CA	91326	N/AVAIL	APPLE VALLEY, CA, 92308	San Bernardino
0434-362-12	11934 CHIMAYO RD	APPLE VALLEY	CA	92308	11934 CHIMAYO RD	APPLE VALLEY, CA, 92308	San Bernardino
0434-362-03	26777 SAINT ANDREWS LN	VALLEY CENTER	CA	92082	N/AVAIL	APPLE VALLEY, CA, 92308	San Bernardino
3080-022-30	13870 CHOLAME RD	VICTORVILLE	CA	92392	N/AVAIL	APPLE VALLEY, CA, 92307	San Bernardino
0434-293-07	20991 CHAMA RD	APPLE VALLEY	CA	92308	20991 CHAMA RD	APPLE VALLEY, CA, 92308	San Bernardino
3080-211-50	N/AVAIL	N/AVAIL	N/AVAIL	N/AVAIL	N/AVAIL	APPLE VALLEY, CA, 92308	San Bernardino
3087-571-66	11533 HADAR DR	SAN DIEGO	CA	92126	BEAR VALLEY RD	APPLE VALLEY, CA, 92307	San Bernardino
0434-177-11	10915 MERINO AVE	APPLE VALLEY	CA	92308	10915 MERINO AVE	APPLE VALLEY, CA, 92308	San Bernardino
0435-098-09	6446 GEYSER AVE	RESEDA	CA	91335	N/AVAIL	APPLE VALLEY, CA, 92308	San Bernardino
3087-532-24	5811 SPA DR	HUNTINGTON BEACH	CA	92647	22010 BEAR VALLEY RD	APPLE VALLEY, CA, 92308	San Bernardino
0434-183-10	10716 KIOWA RD	APPLE VALLEY	CA	92308	10716 KIOWA RD	APPLE VALLEY, CA, 92308	San Bernardino
3080-032-17	1622 E NOCTA PRIVADO	ONTARIO	CA	91764	BEAR VALLEY RD	APPLE VALLEY, CA, 92308	San Bernardino
0434-311-14	11390 SARATOGA RD	APPLE VALLEY	CA	92308	11390 SARATOGA RD	APPLE VALLEY, CA, 92308	San Bernardino
0435-106-21	29320 YNEZ RD	TEMECULA	CA	92592	N/AVAIL	APPLE VALLEY, CA, 92308	San Bernardino
3080-212-18	815 1ST AVE	SEATTLE	WA	98104	23780 TUSSING RANCH RD	APPLE VALLEY, CA, 92308	San Bernardino
0434-341-25	11116 LANCELET ST	APPLE VALLEY	CA	92308	11116 LANCELET ST	APPLE VALLEY, CA, 92308	San Bernardino
3087-454-27	15013 PALMDALE RD	VICTORVILLE	CA	92392	21068 BEAR VALLEY RD	APPLE VALLEY, CA, 92308	San Bernardino
0439-392-15	616 20TH ST	HUNTINGTON BEACH	CA	92648	N/AVAIL	APPLE VALLEY, CA, 92308	San Bernardino
0434-291-14	1554 BARTON RD	REDLANDS	CA	92373	11645 KIOWA RD	APPLE VALLEY, CA, 92308	San Bernardino
0434-367-10	12015 PECOS RD	APPLE VALLEY	CA	92308	12015 PECOS RD	APPLE VALLEY, CA, 92308	San Bernardino
0434-201-21	18794 SETENAC RD	APPLE VALLEY	CA	92307	N/AVAIL	APPLE VALLEY, CA, 92308	San Bernardino
0434-311-13	11410 SARATOGA RD	APPLE VALLEY	CA	92308	11410 SARATOGA RD	APPLE VALLEY, CA, 92308	San Bernardino
3080-031-06	19886 SAHALE RD	APPLE VALLEY	CA	92307	N/AVAIL	APPLE VALLEY, CA, 92308	San Bernardino
0434-291-09	11561 KIOWA RD	APPLE VALLEY	CA	92308	11561 KIOWA RD	APPLE VALLEY, CA, 92308	San Bernardino
0439-393-06	2700 N MAIN ST	SANTA ANA	CA	92705	BEAR VALLEY RD	APPLE VALLEY, CA, 92308	San Bernardino
3087-671-06	4953 SNOW LINE DR	PHELAN	CA	92371	21380 BEAR VALLEY RD	APPLE VALLEY, CA, 92308	San Bernardino
3087-491-12	19209 CATALINA RD	APPLE VALLEY	CA	92308	21530 BEAR VALLEY RD	APPLE VALLEY, CA, 92308	San Bernardino
0434-442-02	16994 CANYON CREEK CIR	RIVERSIDE	CA	92503	21485 BEAR VALLEY RD	APPLE VALLEY, CA, 92308	San Bernardino
3080-021-12	11 CETINALE AISLE	IRVINE	CA	92606	N/AVAIL	APPLE VALLEY, CA, 92308	San Bernardino
0434-367-12	1709 CLIFFBRANCH DR	DIAMOND BAR	CA	91765	BEAR VALLEY RD	APPLE VALLEY, CA, 92307	San Bernardino
0434-291-27	11554 CHIMAYO RD	APPLE VALLEY	CA	92308	11554 CHIMAYO RD	APPLE VALLEY, CA, 92308	San Bernardino
3087-671-12	7323 ALPINE WAY	TUJUNGA	CA	91042	21490 BEAR VALLEY RD	APPLE VALLEY, CA, 92308	San Bernardino
3080-191-26	1709 PRINCE ALBERT DR	RIVERSIDE	CA	92507	N/AVAIL	APPLE VALLEY, CA, 92308	San Bernardino
3080-191-47	11131 TUJUNGA RD	APPLE VALLEY	CA	92308	11131 TUJUNGA RD	APPLE VALLEY, CA, 92308	San Bernardino
0435-098-43	316 E JANICE ST	LONG BEACH	CA	90805	N/AVAIL	APPLE VALLEY, CA, 92308	San Bernardino

**Coolwater-Lugo Transmission Project
Ownership Mailing List for Notice of Amended Application for CPCN**

APN	MAILING ADDRESS	MAILING CITY	STATE	ZIP	SITUS ADDRESS	SITUS CITY/STATE/ZIP	SITUS COUNTY
3087-531-43	ONE ARTS PLAZA 1722 ROUT	DALLAS	TX	75201	21718 BEAR VALLEY RD	APPLE VALLEY, CA, 92308	San Bernardino
0434-201-14	21910 HIGHWAY 18	APPLE VALLEY	CA	92307	N/AVAIL	APPLE VALLEY, CA, 92308	San Bernardino
0434-321-01	11374 SARATOGA RD	APPLE VALLEY	CA	92308	11374 SARATOGA RD	APPLE VALLEY, CA, 92308	San Bernardino
0434-443-09	9521 MAVIN DR	SANTEE	CA	92071	21660 LAGUNA RD	APPLE VALLEY, CA, 92308	San Bernardino
0434-311-01	11391 KIOWA RD	APPLE VALLEY	CA	92308	11391 KIOWA RD	APPLE VALLEY, CA, 92308	San Bernardino
0434-201-28	12353 HESPERIA	VICTORVILLE	CA	92392	N/AVAIL	APPLE VALLEY, CA, 92308	San Bernardino
0434-172-20	11194 CARIBOU AVE	APPLE VALLEY	CA	92308	11194 CARIBOU AVE	APPLE VALLEY, CA, 92308	San Bernardino
0434-172-21	11190 CARIBOU AVE	APPLE VALLEY	CA	92308	11190 CARIBOU AVE	APPLE VALLEY, CA, 92308	San Bernardino
0434-385-09	6551 WARNER AVE	HUNTINGTON BEACH	CA	92647	11712 CHIMAYO RD	APPLE VALLEY, CA, 92308	San Bernardino
3087-532-35	22020 BEAR VALLEY RD	APPLE VALLEY	CA	92308	22020 BEAR VALLEY RD	APPLE VALLEY, CA, 92308	San Bernardino
0434-351-42	11077 KIOWA RD	APPLE VALLEY	CA	92308	11077 KIOWA RD	APPLE VALLEY, CA, 92308	San Bernardino
0434-183-13	9311 KIOWA RD	APPLE VALLEY	CA	92308	10654 KIOWA RD	APPLE VALLEY, CA, 92308	San Bernardino
3087-451-16	5407 FIDLER AVE	LAKEWOOD	CA	90712	MULTNOMAH RD	APPLE VALLEY, CA, 92308	San Bernardino
0434-063-01	11207 MARWOOD HILL DR	POTOMAC	MD	20854	BEAR VALLEY RD	APPLE VALLEY, CA, 92307	San Bernardino
3080-032-20	5329 AGNES AVE	VALLEY VILLAGE	CA	91607	BEAR VALLEY RD	APPLE VALLEY, CA, 92307	San Bernardino
3080-211-29	10730 TUJUNGA RD	APPLE VALLEY	CA	92308	10730 TUJUNGA RD	APPLE VALLEY, CA, 92308	San Bernardino
0434-321-03	11340 SARATOGA RD	APPLE VALLEY	CA	92308	11340 SARATOGA RD	APPLE VALLEY, CA, 92308	San Bernardino
0434-183-27	23752 SUNSET CROSSING RD	DIAMOND BAR	CA	91765	N/AVAIL	APPLE VALLEY, CA, 92308	San Bernardino
3080-011-09	PO BOX 8248	RANCHO SANTA FE	CA	92067	N/AVAIL	APPLE VALLEY, CA, 92308	San Bernardino
3080-051-08	22053 BEAR VALLEY RD	APPLE VALLEY	CA	92308	22053 BEAR VALLEY RD	APPLE VALLEY, CA, 92308	San Bernardino
0434-177-09	10934 KIOWA RD	APPLE VALLEY	CA	92308	10934 KIOWA RD	APPLE VALLEY, CA, 92308	San Bernardino
3080-211-48	10591 CHIPMUNK RD	APPLE VALLEY	CA	92308	10591 CHIPMUNK RD	APPLE VALLEY, CA, 92308	San Bernardino
0434-362-06	11989 KIOWA RD	APPLE VALLEY	CA	92308	11989 KIOWA RD	APPLE VALLEY, CA, 92308	San Bernardino
0434-374-11	12089 PASCO RD	APPLE VALLEY	CA	92308	12089 PASCO RD	APPLE VALLEY, CA, 92308	San Bernardino
0438-072-09	1805 N HEIGHT	MAGNOLIA	AR	71753	10460 HAMILTON RD	APPLE VALLEY, CA, 92308	San Bernardino
0435-106-04	5534 N ELLENDALE AVE	FRESNO	CA	93722	N/AVAIL	APPLE VALLEY, CA, 92308	San Bernardino
3087-454-22	19459 SHASTA RD	APPLE VALLEY	CA	92307	N/AVAIL	APPLE VALLEY, CA, 92308	San Bernardino
3087-571-68	11181 MAPLE AVE	BLOOMINGTON	CA	92316	BEAR VALLEY RD	APPLE VALLEY, CA, 92308	San Bernardino
0439-392-13	2800 GRIFFIN AVE	LOS ANGELES	CA	90031	BEAR VALLEY RD	APPLE VALLEY, CA, 92307	San Bernardino
0434-385-04	11792 CHIMAYO RD	APPLE VALLEY	CA	92308	11792 CHIMAYO RD	APPLE VALLEY, CA, 92308	San Bernardino
0435-098-35	4921 LINCOLN AVE	LOS ANGELES	CA	90042	N/AVAIL	APPLE VALLEY, CA, 92308	San Bernardino
3080-212-17	7865 MANGO AVE	FONTANA	CA	92336	N/AVAIL	APPLE VALLEY, CA, 92308	San Bernardino
0434-361-10	17654 EMBER DR	ROWLAND HEIGHTS	CA	91748	21065 BEAR VALLEY RD	APPLE VALLEY, CA, 92308	San Bernardino
3080-051-07	14480 PAWNEE RD	APPLE VALLEY	CA	92307	BEAR VALLEY RD	APPLE VALLEY, CA, 92307	San Bernardino
0434-351-01	11091 KIOWA RD	APPLE VALLEY	CA	92308	11091 KIOWA RD	APPLE VALLEY, CA, 92308	San Bernardino
0434-367-04	6962 SPRINGTIME AVE	FONTANA	CA	92336	21194 LAGUNA RD	APPLE VALLEY, CA, 92308	San Bernardino
3087-454-21	720 BROWN SAGE DR	GLENDDORA	CA	91741	N/AVAIL	APPLE VALLEY, CA, 92308	San Bernardino
0434-351-06	3130 OSTROM AVE	LONG BEACH	CA	90808	N/AVAIL	APPLE VALLEY, CA, 92308	San Bernardino

**Coolwater-Lugo Transmission Project
Ownership Mailing List for Notice of Amended Application for CPCN**

APN	MAILING ADDRESS	MAILING CITY	STATE	ZIP	SITUS ADDRESS	SITUS CITY/STATE/ZIP	SITUS COUNTY
0434-051-68	905 VIA ZUMAYA	PALOS VERDES ESTATES	CA	90274	N/AVAIL	APPLE VALLEY, CA, 92308	San Bernardino
0516-272-11	13450 MONTE VISTA AVE	CHINO	CA	91710	NATIONAL TRAILS HWY	YERMO, CA, 92398	San Bernardino
0529-191-36	131 W WELLS ST	SAN GABRIEL	CA	91776	N/AVAIL	NEWBERRY SPRINGS, CA, 92365	San Bernardino
0529-131-26	PO BOX 4174	SEAL BEACH	CA	90740	NATIONAL TRL	NEWBERRY SPRINGS, CA, 92365	San Bernardino
0521-092-09	PO BOX 6407	ORANGE	CA	92863	N/AVAIL	NEWBERRY SPRINGS, CA, 92365	San Bernardino
0531-021-12	N/AVAIL	N/AVAIL	N/AVAIL	N/AVAIL	N/AVAIL	NEWBERRY SPRINGS, CA, 92365	San Bernardino
0416-041-51	620 ORANGEWOOD AVE	NEWBURY PARK	CA	91320	N/AVAIL	DAGGETT, CA, 92327	San Bernardino
0529-181-10	4825 S HIGHWAY 95	FORT MOHAVE	AZ	86426	N/AVAIL	NEWBERRY SPRINGS, CA, 92365	San Bernardino
0528-192-22	PO BOX 70	YERMO	CA	92398	30983 ORD ST	NEWBERRY SPRINGS, CA, 92365	San Bernardino
0528-211-07	PO BOX 42097	LOS ANGELES	CA	90042	N/AVAIL	NEWBERRY SPRINGS, CA, 92365	San Bernardino
0529-201-06	N/AVAIL	N/AVAIL	N/AVAIL	N/AVAIL	N/AVAIL	NEWBERRY SPRINGS, CA, 92365	San Bernardino
0528-092-11	46425 NATIONAL TRAILS HWY	NEWBERRY SPRINGS	CA	92365	N/AVAIL	NEWBERRY SPRINGS, CA, 92365	San Bernardino
0528-081-01	PO BOX 127	NEWBERRY SPRINGS	CA	92365	31151 NEWBERRY RD	NEWBERRY SPRINGS, CA, 92365	San Bernardino
0521-012-11	60463 WHITE SAGE DR	LA QUINTA	CA	92253	HWY 66	DAGGETT, CA, 92327	San Bernardino
0521-051-05	N/AVAIL	N/AVAIL	N/AVAIL	N/AVAIL	N/AVAIL	N/AVAIL, CA, N/AVAIL	San Bernardino
0531-031-09	PO BOX 10269	BAKERSFIELD	CA	93389	N/AVAIL	NEWBERRY SPRINGS, CA, 92365	San Bernardino
0528-092-10	PO BOX 4174	SEAL BEACH	CA	90740	N/AVAIL	NEWBERRY SPRINGS, CA, 92365	San Bernardino
0529-171-62	3661 SUTTER CT	OCEANSIDE	CA	92056	N/AVAIL	NEWBERRY SPRINGS, CA, 92365	San Bernardino
0416-041-59	18832 VISTA PORTOLA	TRABUCO CANYON	CA	92679	N/AVAIL	DAGGETT, CA, 92327	San Bernardino
0521-042-26	30819 ATHOL LN	NEWBERRY SPRINGS	CA	92365	41675 NATIONAL TRAILS HWY	DAGGETT, CA, 92327	San Bernardino
0516-272-16	N/AVAIL	N/AVAIL	N/AVAIL	N/AVAIL	N/AVAIL	DAGGETT, CA, 92327	San Bernardino
0521-012-10	560 W SCHULTE RD	TRACY	CA	95376	N/AVAIL	DAGGETT, CA, 92327	San Bernardino
0531-082-44	PO BOX 164	NEWBERRY SPRINGS	CA	92365	STATE HWY 40	NEWBERRY SPRINGS, CA, 92365	San Bernardino
0528-081-29	116 PHILIP DR	HEALDSBURG	CA	95448	N/AVAIL	NEWBERRY SPRINGS, CA, 92365	San Bernardino
0531-341-13	14380 TELLURIDE DR	BALDWIN PARK	CA	91706	58 E STATE ST	REDLANDS, CA, 92373	San Bernardino
0528-162-02	PO BOX 303	NEWBERRY SPRINGS	CA	92365	N/AVAIL	NEWBERRY SPRINGS, CA, 92365	San Bernardino
0528-232-07	46823 NATIONAL TRAILS HWY	NEWBERRY SPRINGS	CA	92365	N/AVAIL	NEWBERRY SPRINGS, CA, 92365	San Bernardino
0531-061-23	N/AVAIL	N/AVAIL	N/AVAIL	N/AVAIL	31763 MOUNTAIN VIEW RD	NEWBERRY SPRINGS, CA, 92365	San Bernardino
0529-131-23	101 S RIVERSIDE AVE	RIALTO	CA	92376	48452 NATIONAL TRAILS HWY	NEWBERRY SPRINGS, CA, 92365	San Bernardino
0416-041-33	3235 E DATE ST	BREA	CA	92823	N/AVAIL	DAGGETT, CA, 92327	San Bernardino
0528-192-12	PO BOX 241530	LOS ANGELES	CA	90024	47962 HWY 66	NEWBERRY SPRINGS, CA, 92365	San Bernardino
0528-211-16	2004 BARCELONA CIR	BARSTOW	CA	92311	N/AVAIL	NEWBERRY SPRINGS, CA, 92365	San Bernardino
0528-162-19	47344 AUTUMN LEAF RD	NEWBERRY SPRINGS	CA	92365	47351 NATIONAL TRAILS HWY	NEWBERRY SPRINGS, CA, 92365	San Bernardino
0529-131-40	199 N 290 W	LINDON	UT	84042	30863 FORT CADY RD	NEWBERRY SPRINGS, CA, 92365	San Bernardino
0531-022-03	N/AVAIL	N/AVAIL	N/AVAIL	N/AVAIL	N/AVAIL	NEWBERRY SPRINGS, CA, 92365	San Bernardino
0552-031-32	N/AVAIL	N/AVAIL	N/AVAIL	N/AVAIL	N/AVAIL	BARSTOW, CA, 92366	San Bernardino
0528-243-11	PO BOX 321	NEWBERRY SPRINGS	CA	92365	N/AVAIL	NEWBERRY SPRINGS, CA, 92365	San Bernardino
0528-092-35	6343 HEMATITE CT	SAN JOSE	CA	95135	N/AVAIL	NEWBERRY SPRINGS, CA, 92365	San Bernardino

**Coolwater-Lugo Transmission Project
Ownership Mailing List for Notice of Amended Application for CPCN**

APN	MAILING ADDRESS	MAILING CITY	STATE	ZIP	SITUS ADDRESS	SITUS CITY/STATE/ZIP	SITUS COUNTY
0516-272-09	PO BOX 571945	TARZANA	CA	91357	37384 NATIONAL TRAILS HWY	DAGGETT, CA, 92327	San Bernardino
0528-092-24	34631 MERLIN AVE	NEWBERRY SPRINGS	CA	92365	N/AVAIL	NEWBERRY SPRINGS, CA, 92365	San Bernardino
0528-222-04	272 E 34TH ST	SAN BERNARDINO	CA	92404	N/AVAIL	NEWBERRY SPRINGS, CA, 92365	San Bernardino
0416-041-34	1601 CALITERRA WAY	RENO	NV	89521	N/AVAIL	DAGGETT, CA, 92327	San Bernardino
0516-272-08	105 BISCAYNE WAY	FOLSOM	CA	95630	36886 NATIONAL TRAILS HWY	DAGGETT, CA, 92327	San Bernardino
0528-081-27	2704 VIA CALDERIA	PALM DESERT	CA	92260	N/AVAIL	NEWBERRY SPRINGS, CA, 92365	San Bernardino
0531-022-04	N/AVAIL	N/AVAIL	N/AVAIL	N/AVAIL	N/AVAIL	NEWBERRY SPRINGS, CA, 92365	San Bernardino
0528-181-08	PO BOX 3122	EL SEGUNDO	CA	90245	N/AVAIL	NEWBERRY SPRINGS, CA, 92365	San Bernardino
0521-042-24	PO BOX 124	NEWBERRY SPRINGS	CA	92365	41565 NATIONAL TRAILS HWY	DAGGETT, CA, 92327	San Bernardino
0521-052-24	PO BOX 31	DAGGETT	CA	92327	40553 NATIONAL TRAILS HWY	DAGGETT, CA, 92327	San Bernardino
0528-091-08	2404 WILMA AVE	COMMERCE	CA	90040	N/AVAIL	NEWBERRY SPRINGS, CA, 92365	San Bernardino
0528-081-20	13185 TRAILWOOD WAY	APPLE VALLEY	CA	92308	N/AVAIL	NEWBERRY SPRINGS, CA, 92365	San Bernardino
0521-042-05	41287 NATIONAL TRAILS HWY	DAGGETT	CA	92327	41287 NATIONAL TRAILS HWY	DAGGETT, CA, 92327	San Bernardino
0529-131-32	607 N STONEMAN AVE	ALHAMBRA	CA	91801	N/AVAIL	NEWBERRY SPRINGS, CA, 92365	San Bernardino
0521-052-10	4297 ANNISA AVE	HEMET	CA	92544	N/AVAIL	DAGGETT, CA, 92327	San Bernardino
0528-222-03	5091 DINKY LN	ROSEVILLE	CA	95678	N/AVAIL	NEWBERRY SPRINGS, CA, 92365	San Bernardino
0528-241-05	11575 RAMONA AVE	CHINO	CA	91710	46536 NATIONAL TRAILS HWY	NEWBERRY SPRINGS, CA, 92365	San Bernardino
0528-211-13	2343 SUNSET CURV	UPLAND	CA	91784	N/AVAIL	NEWBERRY SPRINGS, CA, 92365	San Bernardino
0531-022-02	N/AVAIL	N/AVAIL	N/AVAIL	N/AVAIL	N/AVAIL	NEWBERRY SPRINGS, CA, 92365	San Bernardino
0528-081-18	PO BOX 358	NEWBERRY SPRINGS	CA	92365	46060 NATIONAL TRAILS HWY	NEWBERRY SPRINGS, CA, 92365	San Bernardino
0531-071-06	17940 RANCHO ST	ENGINO	CA	91316	N/AVAIL	NEWBERRY SPRINGS, CA, 92365	San Bernardino
0521-041-03	11157 LEADWELL ST	SUN VALLEY	CA	91352	N/AVAIL	DAGGETT, CA, 92327	San Bernardino
0531-031-12	11583 MORRISON ST	VALLEY VILLAGE	CA	91601	44214 NATIONAL TRAILS HWY	NEWBERRY SPRINGS, CA, 92365	San Bernardino
0529-211-09	20438 VIEW POINT RD	CASTRO VALLEY	CA	94552	N/AVAIL	NEWBERRY SPRINGS, CA, 92365	San Bernardino
0521-092-06	1230 5TH ST	TURLOCK	CA	95380	N/AVAIL	NEWBERRY SPRINGS, CA, 92365	San Bernardino
0416-041-37	13909 FACADE AVE	PARAMOUNT	CA	90723	N/AVAIL	DAGGETT, CA, 92327	San Bernardino
0528-231-08	PO BOX 146	NEWBERRY SPRINGS	CA	92365	46850 NATIONAL TRAILS HWY	NEWBERRY SPRINGS, CA, 92365	San Bernardino
0529-211-45	20524 VENTURA BLVD	WOODLAND HILLS	CA	91364	N/AVAIL	NEWBERRY SPRINGS, CA, 92365	San Bernardino
0529-211-47	2404 WILMA AVE	COMMERCE	CA	90040	N/AVAIL	NEWBERRY SPRINGS, CA, 92365	San Bernardino
0528-192-23	6238 CALIENTE RD	OAK HILLS	CA	92344	47800 NATIONAL TRAILS HWY	NEWBERRY SPRINGS, CA, 92365	San Bernardino
0528-092-04	32862 LILAC RD	CHATFIELD	MN	55923	N/AVAIL	NEWBERRY SPRINGS, CA, 92365	San Bernardino
0531-082-39	PO BOX 202	NEWBERRY SPRINGS	CA	92365	31557 NEWBERRY RD	NEWBERRY SPRINGS, CA, 92365	San Bernardino
0531-021-10	N/AVAIL	N/AVAIL	N/AVAIL	N/AVAIL	N/AVAIL	NEWBERRY SPRINGS, CA, 92365	San Bernardino
0529-171-44	1883 ELLINGTON DR	CORONA	CA	92880	N/AVAIL	NEWBERRY SPRINGS, CA, 92365	San Bernardino
0529-211-25	916 W BAYLESS ST	AZUSA	CA	91702	N/AVAIL	NEWBERRY SPRINGS, CA, 92365	San Bernardino
0521-012-02	N/AVAIL	N/AVAIL	N/AVAIL	N/AVAIL	N/AVAIL	DAGGETT, CA, 92327	San Bernardino
0528-232-09	3110 KELTON AVE	LOS ANGELES	CA	90034	31032 ORIENTE DR	NEWBERRY SPRINGS, CA, 92365	San Bernardino
0521-092-08	1807 13TH ST	SACRAMENTO	CA	95811	N/AVAIL	NEWBERRY SPRINGS, CA, 92365	San Bernardino

**Coolwater-Lugo Transmission Project
Ownership Mailing List for Notice of Amended Application for CPCN**

APN	MAILING ADDRESS	MAILING CITY	STATE	ZIP	SITUS ADDRESS	SITUS CITY/STATE/ZIP	SITUS COUNTY
0521-091-03	N/AVAIL	N/AVAIL	N/AVAIL	N/AVAIL	N/AVAIL	DAGGETT, CA, 92327	San Bernardino
0516-271-18	2909 ALDERGROVE CT	FULLERTON	CA	92835	N/AVAIL	DAGGETT, CA, 92327	San Bernardino
0528-192-16	47850 NATIONAL TRAILS HWY	NEWBERRY SPRINGS	CA	92365	47850 NATIONAL TRAILS HWY	NEWBERRY SPRINGS, CA, 92365	San Bernardino
0528-091-04	8195 S BARNES RD	PASO ROBLES	CA	93446	N/AVAIL	NEWBERRY SPRINGS, CA, 92365	San Bernardino
0528-081-19	117 POINTE HARBOR LN	MOORESVILLE	NC	28117	N/AVAIL	NEWBERRY SPRINGS, CA, 92365	San Bernardino
0528-221-10	6529 E JENSEN ST	MESA	AZ	85205	N/AVAIL	NEWBERRY SPRINGS, CA, 92365	San Bernardino
0528-161-07	32 HUMBOLDT CT	PACIFICA	CA	94044	N/AVAIL	NEWBERRY SPRINGS, CA, 92365	San Bernardino
0531-081-01	PO BOX 552	LANCASTER	CA	93584	N/AVAIL	NEWBERRY SPRINGS, CA, 92365	San Bernardino
0528-241-09	PO BOX 1006	HILLSBORO	NH	3244	46630 NATIONAL TRAILS HWY	NEWBERRY SPRINGS, CA, 92365	San Bernardino
0531-031-10	PO BOX 356	NEWBERRY SPRINGS	CA	92365	NATIONAL TRAILS HWY	NEWBERRY SPRINGS, CA, 92365	San Bernardino
0516-272-29	PO BOX 58900	SALT LAKE CITY	UT	84158	N/AVAIL	DAGGETT, CA, 92327	San Bernardino
0529-131-62	199 N 290 W	LINDON	UT	84042	N/AVAIL	NEWBERRY SPRINGS, CA, 92365	San Bernardino
0529-261-04	1463 BIBIANA WAY	UPLAND	CA	91786	N/AVAIL	N/AVAIL, CA, N/AVAIL	San Bernardino
0521-012-01	N/AVAIL	N/AVAIL	N/AVAIL	N/AVAIL	N/AVAIL	DAGGETT, CA, 92327	San Bernardino
0529-131-25	PO BOX 303	NEWBERRY SPRINGS	CA	92365	N/AVAIL	NEWBERRY SPRINGS, CA, 92365	San Bernardino
0521-042-28	11814 TRAILWOOD ST	VICTORVILLE	CA	92392	41399 NATIONAL TRAILS HWY	DAGGETT, CA, 92327	San Bernardino
0529-171-45	15210 N SCOTTSDALE RD	SCOTTSDALE	AZ	85254	N/AVAIL	NEWBERRY SPRINGS, CA, 92365	San Bernardino
0516-271-57	PO BOX 58900	SALT LAKE CITY	UT	84158	N/AVAIL	DAGGETT, CA, 92327	San Bernardino
0521-052-14	1515 BATES PL	CLAREMONT	CA	91711	40123 HWY 66	DAGGETT, CA, 92327	San Bernardino
0521-042-25	PO BOX 4 ARGOS 21201 GREEC	N/AVAIL	N/AVAIL	N/AVAIL	HWY 66	NEWBERRY SPRINGS, CA, 92365	San Bernardino
0529-261-06	519 KEYSER RONDO	CAMARILLO	CA	93010	N/AVAIL	N/AVAIL, CA, N/AVAIL	San Bernardino
0528-092-34	1640 VERDE DR	BULLHEAD CITY	AZ	86442	N/AVAIL	NEWBERRY SPRINGS, CA, 92365	San Bernardino
0528-092-17	PO BOX 400996	HESPERIA	CA	92340	N/AVAIL	NEWBERRY SPRINGS, CA, 92365	San Bernardino
0521-042-13	3595 INLAND EMPIRE BLVD	ONTARIO	CA	91764	MINNEOLA RD	NEWBERRY SPRINGS, CA, 92365	San Bernardino
0528-221-16	423 N WESTRIDGE AVE	GLENDORA	CA	91741	N/AVAIL	NEWBERRY SPRINGS, CA, 92365	San Bernardino
0528-192-19	PO BOX 303	NEWBERRY SPRINGS	CA	92365	N/AVAIL	NEWBERRY SPRINGS, CA, 92365	San Bernardino
0529-211-22	PO BOX 2411	LA HABRA	CA	90632	NATIONAL TRL	NEWBERRY SPRINGS, CA, 92365	San Bernardino
0521-092-07	65 SOLDIER BASIN DR	SEDONA	AZ	86351	N/AVAIL	NEWBERRY SPRINGS, CA, 92365	San Bernardino
0529-211-26	485 MADRID ST	HEMET	CA	92545	N/AVAIL	NEWBERRY SPRINGS, CA, 92365	San Bernardino
0528-212-01	47121 NATIONAL TRAILS HWY	NEWBERRY SPRINGS	CA	92365	47121 NATIONAL TRAILS HWY	NEWBERRY SPRINGS, CA, 92365	San Bernardino
0528-212-03	6948 ELMWOOD RD	SAN BERNARDINO	CA	92404	N/AVAIL	NEWBERRY SPRINGS, CA, 92365	San Bernardino
0528-091-02	2700 KADEMA DR	SACRAMENTO	CA	95864	N/AVAIL	NEWBERRY SPRINGS, CA, 92365	San Bernardino
0529-132-07	19052 E SMILEY DR	ORANGE	CA	92869	N/AVAIL	NEWBERRY SPRINGS, CA, 92365	San Bernardino
0528-232-08	PO BOX 123	NEWBERRY SPRINGS	CA	92365	46823 NATIONAL TRAILS HWY	NEWBERRY SPRINGS, CA, 92365	San Bernardino
0529-171-16	5816 NORWICH AVE	VAN NUYS	CA	91411	N/AVAIL	NEWBERRY SPRINGS, CA, 92365	San Bernardino
0529-131-10	4925 WILSHIRE BLVD	LOS ANGELES	CA	90010	N/AVAIL	NEWBERRY SPRINGS, CA, 92365	San Bernardino
0531-021-03	6912 PRINCE GEORGES AVE	TAKOMA PARK	MD	20912	N/AVAIL	NEWBERRY SPRINGS, CA, 92365	San Bernardino
0529-261-07	11746 BUFORD ST	CERRITOS	CA	90703	N/AVAIL	N/AVAIL, CA, N/AVAIL	San Bernardino

**Coolwater-Lugo Transmission Project
Ownership Mailing List for Notice of Amended Application for CPCN**

APN	MAILING ADDRESS	MAILING CITY	STATE	ZIP	SITUS ADDRESS	SITUS CITY/STATE/ZIP	SITUS COUNTY
0528-181-13	2115 SACRAMENTO ST	BAKERSFIELD	CA	93305	N/AVAIL	NEWBERRY SPRINGS, CA, 92365	San Bernardino
0528-161-05	2929 QUEENSBURY DR	LOS ANGELES	CA	90064	N/AVAIL	NEWBERRY SPRINGS, CA, 92365	San Bernardino
0529-182-05	19085 KAIBAB RD	APPLE VALLEY	CA	92307	N/AVAIL	NEWBERRY SPRINGS, CA, 92365	San Bernardino
0531-082-10	PO BOX 303	NEWBERRY SPRINGS	CA	92365	N/AVAIL	NEWBERRY SPRINGS, CA, 92365	San Bernardino
0516-272-27	PO BOX 58900	SALT LAKE CITY	UT	84158	N/AVAIL	DAGGETT, CA, 92327	San Bernardino
0529-211-49	930 7TH ST	NORCO	CA	92860	N/AVAIL	NEWBERRY SPRINGS, CA, 92365	San Bernardino
0528-211-21	9212 CORNELL WAY	BUENA PARK	CA	90620	47112 HWY 66	NEWBERRY SPRINGS, CA, 92365	San Bernardino
0529-211-11	PO BOX 9063	CALABASAS	CA	91372	N/AVAIL	NEWBERRY SPRINGS, CA, 92365	San Bernardino
0531-031-13	PO BOX 1087	COLORADO SPRINGS	CO	80901	N/AVAIL	NEWBERRY SPRINGS, CA, 92365	San Bernardino
0528-161-08	3753 E AVE	LANCASTER	CA	93535	N/AVAIL	NEWBERRY SPRINGS, CA, 92365	San Bernardino
0529-211-21	PO BOX 54	DRAIN	OR	97435	N/AVAIL	NEWBERRY SPRINGS, CA, 92365	San Bernardino
0531-022-01	6912 PRINCE GEORGES AVE	TAKOMA PARK	MD	20912	N/AVAIL	NEWBERRY SPRINGS, CA, 92365	San Bernardino
0516-271-24	PO BOX 385	DAGGETT	CA	92327	36719 NATIONAL TRAILS HWY	DAGGETT, CA, 92327	San Bernardino
0529-211-28	101 S RIVERSIDE AVE	RIALTO	CA	92376	N/AVAIL	NEWBERRY SPRINGS, CA, 92365	San Bernardino
0521-052-03	17174 JOSHUA RD	APPLE VALLEY	CA	92307	40429 NATIONAL TRAILS HWY	DAGGETT, CA, 92327	San Bernardino
0529-211-36	PO BOX 2570	CAMARILLO	CA	93011	N/AVAIL	NEWBERRY SPRINGS, CA, 92365	San Bernardino
0529-262-16	11951 SIERRA LN	NORTH RIDGE	CA	91326	N/AVAIL	N/AVAIL, CA, N/AVAIL	San Bernardino
0529-182-14	19209 CATALINA RD	APPLE VALLEY	CA	92308	N/AVAIL	NEWBERRY SPRINGS, CA, 92365	San Bernardino
0521-052-11	11584 EASTEND AVE	CHINO	CA	91710	N/AVAIL	DAGGETT, CA, 92327	San Bernardino
0529-171-59	5815 IRVINE AVE	NORTH HOLLYWOOD	CA	91601	N/AVAIL	NEWBERRY SPRINGS, CA, 92365	San Bernardino
0529-211-52	PO BOX 188	PEARBLOSSOM	CA	93553	N/AVAIL	NEWBERRY SPRINGS, CA, 92365	San Bernardino
0521-091-02	2677 E EL PRESIDIO ST	LONG BEACH	CA	90810	42727 HOLCOMB TRL	NEWBERRY SPRINGS, CA, 92365	San Bernardino
0552-021-01	N/AVAIL	N/AVAIL	N/AVAIL	N/AVAIL	N/AVAIL	N/AVAIL, CA, N/AVAIL	San Bernardino
0528-241-03	PO BOX 99	NEWBERRY SPRINGS	CA	92365	46600 NATIONAL TRAILS HWY	NEWBERRY SPRINGS, CA, 92365	San Bernardino
0528-241-12	46680 NATIONAL TRAILS HWY	NEWBERRY SPRINGS	CA	92365	46680 NATIONAL TRAILS HWY	NEWBERRY SPRINGS, CA, 92365	San Bernardino
0528-211-04	2343 SUNSET CURV	UPLAND	CA	91784	N/AVAIL	NEWBERRY SPRINGS, CA, 92365	San Bernardino
0529-171-65	8904 S 2ND AVE	INGLEWOOD	CA	90305	N/AVAIL	NEWBERRY SPRINGS, CA, 92365	San Bernardino
0416-041-53	PO BOX 51111	LOS ANGELES	CA	90051	N/AVAIL	DAGGETT, CA, 92327	San Bernardino
0528-242-09	PO BOX 303	NEWBERRY SPRINGS	CA	92365	N/AVAIL	NEWBERRY SPRINGS, CA, 92365	San Bernardino
0529-211-17	4536 FRUIT ST	LA VERNE	CA	91750	N/AVAIL	NEWBERRY SPRINGS, CA, 92365	San Bernardino
0521-042-08	7940 TREY AVE	RIVERSIDE	CA	92503	N/AVAIL	DAGGETT, CA, 92327	San Bernardino
0416-041-06	1869 PARKVIEW CIR	COSTA MESA	CA	92627	N/AVAIL	DAGGETT, CA, 92327	San Bernardino
0528-232-18	1104 S EL MOLINO ST	ALHAMBRA	CA	91801	N/AVAIL	NEWBERRY SPRINGS, CA, 92365	San Bernardino
0528-241-04	46459 NATIONAL TRAILS HWY	NEWBERRY SPRINGS	CA	92365	46548 NATIONAL TRAILS HWY	NEWBERRY SPRINGS, CA, 92365	San Bernardino
0516-272-28	PO BOX 58900	SALT LAKE CITY	UT	84158	N/AVAIL	DAGGETT, CA, 92327	San Bernardino
0528-212-06	PO BOX 4061	MCCALL	ID	83638	N/AVAIL	NEWBERRY SPRINGS, CA, 92365	San Bernardino
0516-272-12	900 LINDA LN	BARSTOW	CA	92311	36810 NATIONAL TRAILS HWY	DAGGETT, CA, 92327	San Bernardino
0529-181-04	14818 STONEHEDGE LN	WESTMINSTER	CA	92683	NATIONAL TRAILS HWY	NEWBERRY SPRINGS, CA, 92365	San Bernardino

**Coolwater-Lugo Transmission Project
Ownership Mailing List for Notice of Amended Application for CPCN**

APN	MAILING ADDRESS	MAILING CITY	STATE	ZIP	SITUS ADDRESS	SITUS CITY/STATE/ZIP	SITUS COUNTY
0528-192-18	6238 CALIENTE RD	OAK HILLS	CA	92344	N/AVAIL	NEWBERRY SPRINGS, CA, 92365	San Bernardino
0528-221-02	10986 VULCAN ST	SOUTH GATE	CA	90280	46964 NATIONAL TRAILS HWY	NEWBERRY SPRINGS, CA, 92365	San Bernardino
0528-081-41	PO BOX 322	GASQUET	CA	95543	N/AVAIL	NEWBERRY SPRINGS, CA, 92365	San Bernardino
0529-211-53	930 7TH ST	NORCO	CA	92860	N/AVAIL	NEWBERRY SPRINGS, CA, 92365	San Bernardino
0528-243-01	16835 CANDLEWOOD RD	APPLE VALLEY	CA	92307	N/AVAIL	NEWBERRY SPRINGS, CA, 92365	San Bernardino
0528-211-05	2004 BARCELONA CIR	BARSTOW	CA	92311	47130 HWY 66	NEWBERRY SPRINGS, CA, 92365	San Bernardino
0531-021-02	892 N CALLE DE PINOS	PALM SPRINGS	CA	92262	N/AVAIL	NEWBERRY SPRINGS, CA, 92365	San Bernardino
0516-281-01	22749 HIGHWAY 18	APPLE VALLEY	CA	92307	N/AVAIL	DAGGETT, CA, 92327	San Bernardino
0529-111-18	14618 HUSTON ST	SHERMAN OAKS	CA	91403	N/AVAIL	NEWBERRY SPRINGS, CA, 92365	San Bernardino
0521-012-09	128 E 220TH ST	CARSON	CA	90745	N/AVAIL	DAGGETT, CA, 92327	San Bernardino
0529-211-44	34673 LITTLE DIRT RD	NEWBERRY SPRINGS	CA	92365	54855 NATIONAL TRAILS HWY	NEWBERRY SPRINGS, CA, 92365	San Bernardino
0416-041-56	401 MOUNTAIN CREST RD	DUARTE	CA	91010	N/AVAIL	DAGGETT, CA, 92327	San Bernardino
0521-011-04	PO BOX 54	DRAIN	OR	97435	N/AVAIL	DAGGETT, CA, 92327	San Bernardino
0516-271-22	PO BOX 385	DAGGETT	CA	92327	N/AVAIL	DAGGETT, CA, 92327	San Bernardino
0529-151-01	N/AVAIL	N/AVAIL	N/AVAIL	N/AVAIL	N/AVAIL	NEWBERRY SPRINGS, CA, 92365	San Bernardino
0528-081-22	PO BOX 237	NEWBERRY SPRINGS	CA	92365	N/AVAIL	NEWBERRY SPRINGS, CA, 92365	San Bernardino
0528-161-10	PO BOX 303	NEWBERRY SPRINGS	CA	92365	47584 NATIONAL TRAILS HWY	NEWBERRY SPRINGS, CA, 92365	San Bernardino
0521-051-02	N/AVAIL	N/AVAIL	N/AVAIL	N/AVAIL	N/AVAIL	N/AVAIL, CA, N/AVAIL	San Bernardino
0528-092-16	10005 LILAC RD	OAK HILLS	CA	92344	N/AVAIL	NEWBERRY SPRINGS, CA, 92365	San Bernardino
0528-181-11	324 N SHELTON ST	BURBANK	CA	91506	HWY 66	NEWBERRY SPRINGS, CA, 92365	San Bernardino
0531-082-41	2318 BLUEHAVEN DR	ROWLAND HEIGHTS	CA	91748	N/AVAIL	NEWBERRY SPRINGS, CA, 92365	San Bernardino
0531-082-26	N/AVAIL	N/AVAIL	N/AVAIL	N/AVAIL	N/AVAIL	NEWBERRY SPRINGS, CA, 92365	San Bernardino
0528-161-04	PO BOX 303	NEWBERRY SPRINGS	CA	92365	47450 NATIONAL TRAILS HWY	NEWBERRY SPRINGS, CA, 92365	San Bernardino
0416-041-19	21650 OXNARD ST	WOODLAND HILLS	CA	91367	N/AVAIL	DAGGETT, CA, 92327	San Bernardino
0529-211-20	4536 FRUIT ST	LA VERNE	CA	91750	N/AVAIL	NEWBERRY SPRINGS, CA, 92365	San Bernardino
0529-131-28	26866 IRONWOOD AVE	MORENO VALLEY	CA	92555	N/AVAIL	NEWBERRY SPRINGS, CA, 92365	San Bernardino
0528-221-12	7201 HAVEN AVE	RANCHO CUCAMONGA	CA	91701	46942 NATIONAL TRAILS HWY	NEWBERRY SPRINGS, CA, 92365	San Bernardino
0531-031-02	N/AVAIL	N/AVAIL	N/AVAIL	N/AVAIL	N/AVAIL	NEWBERRY SPRINGS, CA, 92365	San Bernardino
0528-161-02	47622 NATIONAL TRAILS HWY	NEWBERRY SPRINGS	CA	92365	47636 NATIONAL TRAILS HWY	NEWBERRY SPRINGS, CA, 92365	San Bernardino
0521-092-14	PO BOX 2886	PALM DESERT	CA	92261	N/AVAIL	NEWBERRY SPRINGS, CA, 92365	San Bernardino
0521-042-20	11479 VIA LIDO	LOMA LINDA	CA	92354	N/AVAIL	DAGGETT, CA, 92327	San Bernardino
0529-171-05	150 LAS VEGAS BLVD N	LAS VEGAS	NV	89101	50677 NATIONAL TRAILS HWY	NEWBERRY SPRINGS, CA, 92365	San Bernardino
0528-192-11	PO BOX 241530	LOS ANGELES	CA	90024	N/AVAIL	NEWBERRY SPRINGS, CA, 92365	San Bernardino
0528-212-02	2318 BLUEHAVEN DR	ROWLAND HEIGHTS	CA	91748	N/AVAIL	NEWBERRY SPRINGS, CA, 92365	San Bernardino
0529-191-35	131 W WELLS ST	SAN GABRIEL	CA	91776	52291 HWY 66	NEWBERRY SPRINGS, CA, 92365	San Bernardino
0529-171-64	24919 HOEHN RD	SEDRO WOOLLEY	WA	98284	N/AVAIL	NEWBERRY SPRINGS, CA, 92365	San Bernardino
0528-192-14	930 MONTECITO DR	SAN GABRIEL	CA	91776	N/AVAIL	NEWBERRY SPRINGS, CA, 92365	San Bernardino
0529-171-03	PO BOX 41125	RENO	NV	89504	N/AVAIL	NEWBERRY SPRINGS, CA, 92365	San Bernardino

**Coolwater-Lugo Transmission Project
Ownership Mailing List for Notice of Amended Application for CPCN**

APN	MAILING ADDRESS	MAILING CITY	STATE	ZIP	SITUS ADDRESS	SITUS CITY/STATE/ZIP	SITUS COUNTY
0529-182-04	2429 EUCLID CRES E	UPLAND	CA	91784	N/AVAIL	NEWBERRY SPRINGS, CA, 92365	San Bernardino
0516-272-25	PO BOX 58900	SALT LAKE CITY	UT	84158	N/AVAIL	DAGGETT, CA, 92327	San Bernardino
0528-092-33	46425 ATIONAL TRAILS HWY	NEWBERRY SPRINGS	CA	92365	46425 NATIONAL TRAILS HWY	NEWBERRY SPRINGS, CA, 92365	San Bernardino
0521-052-20	PO BOX 146	NEWBERRY SPRINGS	CA	92365	40505 NATIONAL TRAILS HWY	DAGGETT, CA, 92327	San Bernardino
0521-051-03	1200 E NAVAJO ST	BARSTOW	CA	92311	N/AVAIL	N/AVAIL, CA, N/AVAIL	San Bernardino
0528-092-22	2339 MONTERA DR	HACIENDA HEIGHTS	CA	91745	N/AVAIL	NEWBERRY SPRINGS, CA, 92365	San Bernardino
0521-091-04	1953 LAS LOMITAS DR	HACIENDA HEIGHTS	CA	91745	N/AVAIL	DAGGETT, CA, 92327	San Bernardino
0529-181-08	15910 EDMISTON AVE	IVANHOE	CA	92325	N/AVAIL	NEWBERRY SPRINGS, CA, 92365	San Bernardino
0529-171-63	24919 HOEHN RD	SEDRO WOOLLEY	WA	98284	N/AVAIL	NEWBERRY SPRINGS, CA, 92365	San Bernardino
0528-192-21	PO BOX 8181	LA VERNE	CA	91750	N/AVAIL	NEWBERRY SPRINGS, CA, 92365	San Bernardino
0531-082-38	3442 RAVINE DR	CARLSBAD	CA	92010	N/AVAIL	NEWBERRY SPRINGS, CA, 92365	San Bernardino
0528-091-01	1268 FLEMINGTON RD	RIVERSIDE	CA	92506	N/AVAIL	NEWBERRY SPRINGS, CA, 92365	San Bernardino
0529-171-60	5815 IRVINE AVE	NORTH HOLLYWOOD	CA	91601	N/AVAIL	NEWBERRY SPRINGS, CA, 92365	San Bernardino
0528-161-03	47622 NATIONAL TRAILS HWY	NEWBERRY SPRINGS	CA	92365	47622 NATIONAL TRAILS HWY	NEWBERRY SPRINGS, CA, 92365	San Bernardino
0521-052-22	2420 W RAPALLO WAY	TUCSON	AZ	85741	N/AVAIL	DAGGETT, CA, 92327	San Bernardino
0528-241-06	3091 CENTRAL AVE	RIVERSIDE	CA	92506	46514 NATIONAL TRAILS HWY	NEWBERRY SPRINGS, CA, 92365	San Bernardino
0529-182-06	4140 MARINE VIEW AVE	SAN DIEGO	CA	92113	N/AVAIL	NEWBERRY SPRINGS, CA, 92365	San Bernardino
0521-052-05	444 S SHASTA ST	WILLOWS	CA	95988	N/AVAIL	DAGGETT, CA, 92327	San Bernardino
0529-211-31	6931 STANFORD AVE	LOS ANGELES	CA	90001	55215 HWY 58	NEWBERRY SPRINGS, CA, 92365	San Bernardino
0521-011-12	PO BOX 773	VERMO	CA	92398	38923 NATIONAL TRAILS HWY	DAGGETT, CA, 92327	San Bernardino
0528-081-52	3801 SESAME ST	BAKERSFIELD	CA	93309	N/AVAIL	NEWBERRY SPRINGS, CA, 92365	San Bernardino
0521-092-10	32341 CAMINO CAPISTRANO	SAN JUAN CAPISTRANO	CA	92675	N/AVAIL	NEWBERRY SPRINGS, CA, 92365	San Bernardino
0416-041-52	22365 EL TORO RD	LAKE FOREST	CA	92630	N/AVAIL	DAGGETT, CA, 92327	San Bernardino
0416-041-54	PO BOX 51111	LOS ANGELES	CA	90051	LADWP	DAGGETT, CA, 92327	San Bernardino
0521-052-23	40305 NATIONAL TRAILS HWY	DAGGETT	CA	92327	40305 NATIONAL TRAILS HWY	DAGGETT, CA, 92327	San Bernardino
0521-052-02	STAR RTE	DAGGETT	CA	92327	N/AVAIL	NEWBERRY SPRINGS, CA, 92365	San Bernardino
0529-111-06	2307 SEPULVEDA WAY	TORRANCE	CA	90501	N/AVAIL	NEWBERRY SPRINGS, CA, 92365	San Bernardino
0528-181-01	PO BOX 303	NEWBERRY SPRINGS	CA	92365	30778 FORT CADY RD	NEWBERRY SPRINGS, CA, 92365	San Bernardino
0521-011-05	21017 N THORNHILL DR	SUN CITY WEST	AZ	85375	N/AVAIL	DAGGETT, CA, 92327	San Bernardino
0529-261-01	1330 OAK VIEW AVE	SAN MARINO	CA	91108	N/AVAIL	N/AVAIL, CA, N/AVAIL	San Bernardino
0528-242-13	2404 WILMA AVE	COMMERCE	CA	90040	N/AVAIL	NEWBERRY SPRINGS, CA, 92365	San Bernardino
0531-081-02	937 E SANTA ANA BLVD	SANTA ANA	CA	92701	N/AVAIL	NEWBERRY SPRINGS, CA, 92365	San Bernardino
0521-042-04	41287 NATIONAL TRAILS HWY	DAGGETT	CA	92327	40461 NATIONAL TRAILS HWY	DAGGETT, CA, 92327	San Bernardino
0529-131-31	5440 MENAGERIE AVE	RENO	NV	89511	N/AVAIL	NEWBERRY SPRINGS, CA, 92365	San Bernardino
0529-221-01	N/AVAIL	N/AVAIL	N/AVAIL	N/AVAIL	N/AVAIL	N/AVAIL, CA, N/AVAIL	San Bernardino
0528-243-15	PO BOX 303	NEWBERRY SPRINGS	CA	92365	N/AVAIL	NEWBERRY SPRINGS, CA, 92365	San Bernardino
0416-041-57	PO BOX 51111	LOS ANGELES	CA	90051	N/AVAIL	DAGGETT, CA, 92327	San Bernardino
0516-282-07	22749 HIGHWAY 18	APPLE VALLEY	CA	92307	N/AVAIL	DAGGETT, CA, 92327	San Bernardino

**Coolwater-Lugo Transmission Project
Ownership Mailing List for Notice of Amended Application for CPCN**

APN	MAILING ADDRESS	MAILING CITY	STATE	ZIP	SITUS ADDRESS	SITUS CITY/STATE/ZIP	SITUS COUNTY
0521-051-01	15963 LITTLE BEAVER ST	VICTORVILLE	CA	92395	N/AVAIL	N/AVAIL, CA, N/AVAIL	San Bernardino
0529-171-50	2305 ALMEZA AVE	ROWLAND HEIGHTS	CA	91748	N/AVAIL	NEWBERRY SPRINGS, CA, 92365	San Bernardino
0529-131-21	10210 BASELINE RD	ALTA LOMA	CA	91701	48340 NATIONAL TRAILS HWY	NEWBERRY SPRINGS, CA, 92365	San Bernardino
0516-271-19	BARERSTRASSE 39 MUNCHEN GERMANY	N/AVAIL	N/AVAIL	N/AVAIL	N/AVAIL	DAGGETT, CA, 92327	San Bernardino
0416-041-58	PO BOX 51111	LOS ANGELES	CA	90051	LADWP	DAGGETT, CA, 92327	San Bernardino
0528-162-14	11584 EASTEND AVE	CHINO	CA	91710	N/AVAIL	NEWBERRY SPRINGS, CA, 92365	San Bernardino
0521-091-01	11921 GOLDRING RD	ARCADIA	CA	91006	N/AVAIL	NEWBERRY SPRINGS, CA, 92365	San Bernardino
0416-041-55	PO BOX 51111	LOS ANGELES	CA	90051	N/AVAIL	DAGGETT, CA, 92327	San Bernardino
0529-171-66	4737 DON MIGUEL DR	LOS ANGELES	CA	90008	N/AVAIL	NEWBERRY SPRINGS, CA, 92365	San Bernardino
0528-092-05	46395 NATIONAL TRAILS HWY	NEWBERRY SPRINGS	CA	92365	46395 NATIONAL TRAILS HWY	NEWBERRY SPRINGS, CA, 92365	San Bernardino
0528-092-28	2389 SEQUOIA DR	PRESCOTT	AZ	86301	N/AVAIL	NEWBERRY SPRINGS, CA, 92365	San Bernardino
0516-271-58	PO BOX 58900	SALT LAKE CITY	UT	84158	37101 NATIONAL TRAILS HWY	DAGGETT, CA, 92327	San Bernardino
0528-242-06	9708 ROMA ST	PICO RIVERA	CA	90660	46693 NATIONAL TRAILS HWY	NEWBERRY SPRINGS, CA, 92365	San Bernardino
0528-092-27	525 S SHELTON ST	BURBANK	CA	91506	N/AVAIL	NEWBERRY SPRINGS, CA, 92365	San Bernardino
0529-171-06	626 N MOUNTAIN VIEW PL	FULLERTON	CA	92831	N/AVAIL	NEWBERRY SPRINGS, CA, 92365	San Bernardino
0528-161-11	632 S HOPE AVE	ONTARIO	CA	91761	N/AVAIL	NEWBERRY SPRINGS, CA, 92365	San Bernardino
0529-181-03	2212 N WEBSTER	SANTA ANA	CA	92701	N/AVAIL	NEWBERRY SPRINGS, CA, 92365	San Bernardino
0516-272-10	544 E WILLIAMS ST	BARSTOW	CA	92311	36750 NATIONAL TRAILS HWY	DAGGETT, CA, 92327	San Bernardino
0529-061-01	911 WILSHIRE BLVD	LOS ANGELES	CA	90017	N/AVAIL	NEWBERRY SPRINGS, CA, 92365	San Bernardino
0529-171-51	3936 WALGROVE AVE	LOS ANGELES	CA	90066	N/AVAIL	NEWBERRY SPRINGS, CA, 92365	San Bernardino
0521-042-18	34636 LITTLE DIRT RD	NEWBERRY SPRINGS	CA	92365	41325 NATIONAL TRAILS HWY	DAGGETT, CA, 92327	San Bernardino
0531-022-05	N/AVAIL	N/AVAIL	N/AVAIL	N/AVAIL	N/AVAIL	NEWBERRY SPRINGS, CA, 92365	San Bernardino
0516-271-23	PO BOX 356	NEWBERRY SPRINGS	CA	92365	N/AVAIL	DAGGETT, CA, 92327	San Bernardino
0528-092-08	PO BOX 482	NEWBERRY SPRINGS	CA	92365	46485 NATIONAL TRAILS HWY	NEWBERRY SPRINGS, CA, 92365	San Bernardino
0528-091-07	PO BOX 3012	ALBUQUERQUE	NM	87190	N/AVAIL	NEWBERRY SPRINGS, CA, 92365	San Bernardino
0521-012-03	N/AVAIL	N/AVAIL	N/AVAIL	N/AVAIL	N/AVAIL	DAGGETT, CA, 92327	San Bernardino
0529-131-20	48484 NATIONAL TRAILS HWY	NEWBERRY SPRINGS	CA	92365	N/AVAIL	NEWBERRY SPRINGS, CA, 92365	San Bernardino
0529-181-06	51646 NATIONAL TRAILS HWY	NEWBERRY SPRINGS	CA	92365	51646 NATIONAL TRAILS HWY	NEWBERRY SPRINGS, CA, 92365	San Bernardino
0528-091-03	2339 MONTERA DR	HACIENDA HEIGHTS	CA	91745	N/AVAIL	NEWBERRY SPRINGS, CA, 92365	San Bernardino
0528-192-20	PO BOX 303	NEWBERRY SPRINGS	CA	92365	N/AVAIL	NEWBERRY SPRINGS, CA, 92365	San Bernardino
0528-091-06	PO BOX 912	CARY	NC	27512	N/AVAIL	NEWBERRY SPRINGS, CA, 92365	San Bernardino
0528-092-26	1847 SW K ST	GRANTS PASS	OR	97526	N/AVAIL	NEWBERRY SPRINGS, CA, 92365	San Bernardino
0521-011-14	2946 YOUNG RD	FILLMORE	CA	93015	38803 NATIONAL TRAILS HWY	DAGGETT, CA, 92327	San Bernardino
0521-052-27	9960 SAGE ST	OAK HILLS	CA	92344	40503 NATIONAL TRAILS HWY	DAGGETT, CA, 92327	San Bernardino
0516-271-15	22749 HIGHWAY 18	APPLE VALLEY	CA	92307	N/AVAIL	DAGGETT, CA, 92327	San Bernardino
0529-151-08	1200 E CALIFORNIA BLVD	PASADENA	CA	91125	N/AVAIL	NEWBERRY SPRINGS, CA, 92365	San Bernardino
0521-042-02	89 S CHAPEL AVE	ALHAMBRA	CA	91801	N/AVAIL	DAGGETT, CA, 92327	San Bernardino
0529-141-09	5446 VISTA SIERRA	CYPRESS	CA	90630	N/AVAIL	NEWBERRY SPRINGS, CA, 92365	San Bernardino

**Coolwater-Lugo Transmission Project
Ownership Mailing List for Notice of Amended Application for CPCN**

APN	MAILING ADDRESS	MAILING CITY	STATE	ZIP	SITUS ADDRESS	SITUS CITY/STATE/ZIP	SITUS COUNTY
0529-271-01	N/AVAIL	N/AVAIL	N/AVAIL	N/AVAIL	29501 HECTOR RD	LUDLOW, CA, 92338	San Bernardino
0529-171-43	2736 PEACHTREE WALK	DULUTH	GA	30096	N/AVAIL	NEWBERRY SPRINGS, CA, 92365	San Bernardino
0528-192-13	PO BOX 241530	LOS ANGELES	CA	90024	47920 NATIONAL TRAILS HWY	NEWBERRY SPRINGS, CA, 92365	San Bernardino
0528-231-02	PO BOX 73	NEWBERRY SPRINGS	CA	92365	46756 NATIONAL TRAILS HWY	NEWBERRY SPRINGS, CA, 92365	San Bernardino
0528-231-07	3410 LA SIERRA AVE F449	RIVERSIDE	CA	92503	NATIONAL TRAILS HWY	NEWBERRY SPRINGS, CA, 92365	San Bernardino
0521-042-07	7940 TREY AVE	RIVERSIDE	CA	92503	41455 NATIONAL TRAILS HWY	DAGGETT, CA, 92327	San Bernardino
0528-232-17	PO BOX 625	BEN LOMOND	CA	95005	N/AVAIL	NEWBERRY SPRINGS, CA, 92365	San Bernardino
0529-182-15	14358 WOODLAND DR	VICTORVILLE	CA	92395	N/AVAIL	NEWBERRY SPRINGS, CA, 92365	San Bernardino
0528-081-24	34631 MERLIN AVE	NEWBERRY SPRINGS	CA	92365	N/AVAIL	NEWBERRY SPRINGS, CA, 92365	San Bernardino
0529-211-30	2700 KADEMA DR	SACRAMENTO	CA	95864	N/AVAIL	NEWBERRY SPRINGS, CA, 92365	San Bernardino
0529-191-44	N/AVAIL	N/AVAIL	N/AVAIL	N/AVAIL	N/AVAIL	NEWBERRY SPRINGS, CA, 92365	San Bernardino
0528-222-02	272 E 34TH ST	SAN BERNARDINO	CA	92404	E NATL TRLS HWY	NEWBERRY SPRINGS, CA, 92365	San Bernardino
0552-031-13	N/AVAIL	N/AVAIL	N/AVAIL	N/AVAIL	58338 NATIONAL TRAILS HWY	BARSTOW, CA, 92366	San Bernardino
0516-271-01	36651 NATIONAL TRAILS HWY	DAGGETT	CA	92327	36651 NATIONAL TRAILS HWY	DAGGETT, CA, 92327	San Bernardino
0416-041-43	4554 LAMBETH CT	CARLSBAD	CA	92010	N/AVAIL	DAGGETT, CA, 92327	San Bernardino
0529-261-08	5432 LEMON GROVE AVE	LOS ANGELES	CA	90038	N/AVAIL	N/AVAIL, CA, N/AVAIL	San Bernardino
0521-092-02	41767 NATIONAL TRAILS HWY	DAGGETT	CA	92327	41767 NATIONAL TRAILS HWY	DAGGETT, CA, 92327	San Bernardino
0528-243-17	31112 NOPAL LN	NEWBERRY SPRINGS	CA	92365	46595 NATIONAL TRAILS HWY	NEWBERRY SPRINGS, CA, 92365	San Bernardino
0528-211-01	26562 PEPITA DR	MISSION VIEJO	CA	92691	N/AVAIL	NEWBERRY SPRINGS, CA, 92365	San Bernardino
0521-042-23	PO BOX 251360	GLENDALE	CA	91225	N/AVAIL	DAGGETT, CA, 92327	San Bernardino
0521-042-27	41415 NATIONAL TRAILS HWY	DAGGETT	CA	92327	41415 NATIONAL TRAILS HWY	DAGGETT, CA, 92327	San Bernardino
0528-211-14	2343 SUNSET CURV	UPLAND	CA	91784	N/AVAIL	NEWBERRY SPRINGS, CA, 92365	San Bernardino
0516-272-01	N/AVAIL	N/AVAIL	N/AVAIL	N/AVAIL	N/AVAIL	DAGGETT, CA, 92327	San Bernardino
0521-012-04	PO BOX 54	DRAIN	OR	97435	N/AVAIL	DAGGETT, CA, 92327	San Bernardino
0528-242-03	12211 FERRARI LN	GARDEN GROVE	CA	92841	NOPAL LN	NEWBERRY SPRINGS, CA, 92365	San Bernardino
0528-092-32	46425 NATIONAL TRAILS HWY	NEWBERRY SPRINGS	CA	92365	N/AVAIL	NEWBERRY SPRINGS, CA, 92365	San Bernardino
0529-131-24	PO BOX 8181	LA VERNE	CA	91750	N/AVAIL	NEWBERRY SPRINGS, CA, 92365	San Bernardino
0521-092-13	PO BOX 185	SHOSHONE	CA	92384	42125 NATIONAL TRAILS HWY	NEWBERRY SPRINGS, CA, 92365	San Bernardino
0529-171-07	N/AVAIL	N/AVAIL	N/AVAIL	N/AVAIL	N/AVAIL	NEWBERRY SPRINGS, CA, 92365	San Bernardino
0528-211-03	2343 SUNSET CURV	UPLAND	CA	91784	N/AVAIL	NEWBERRY SPRINGS, CA, 92365	San Bernardino
0529-171-09	3007 SAMOA PL	COSTA MESA	CA	92626	N/AVAIL	NEWBERRY SPRINGS, CA, 92365	San Bernardino
0521-092-01	977 VISTA CERRO DR	PASO ROBLES	CA	93446	41741 NATIONAL TRAILS HWY	DAGGETT, CA, 92327	San Bernardino
0528-092-07	2884 JUNE PL	SAN BERNARDINO	CA	92407	N/AVAIL	NEWBERRY SPRINGS, CA, 92365	San Bernardino
0521-042-03	41211 NATIONAL TRAILS HWY	DAGGETT	CA	92327	41211 NATIONAL TRAILS HWY	DAGGETT, CA, 92327	San Bernardino
0528-192-24	6238 CALIENTE RD	OAK HILLS	CA	92344	47800 NATIONAL TRAILS HWY	NEWBERRY SPRINGS, CA, 92365	San Bernardino
0528-092-06	1819 HORNBLEND ST	SAN DIEGO	CA	92109	N/AVAIL	NEWBERRY SPRINGS, CA, 92365	San Bernardino
0529-181-09	51734 NATIONAL TRAILS HWY	NEWBERRY SPRINGS	CA	92365	51734 NATIONAL TRAILS HWY	NEWBERRY SPRINGS, CA, 92365	San Bernardino
0531-082-24	PO BOX 303	NEWBERRY SPRINGS	CA	92365	31411 NEWBERRY RD	NEWBERRY SPRINGS, CA, 92365	San Bernardino

**Coolwater-Lugo Transmission Project
Ownership Mailing List for Notice of Amended Application for CPCN**

APN	MAILING ADDRESS	MAILING CITY	STATE	ZIP	SITUS ADDRESS	SITUS CITY/STATE/ZIP	SITUS COUNTY
0529-141-23	5613 BLUE BIRD AVE	DALLAS	TX	75237	N/AVAIL	NEWBERRY SPRINGS, CA, 92365	San Bernardino
0521-091-05	1953 LAS LOMITAS DR	HACIENDA HEIGHTS	CA	91745	N/AVAIL	DAGGETT, CA, 92327	San Bernardino
0528-212-07	409 ARCADE PL	GLENDALE	CA	91206	N/AVAIL	NEWBERRY SPRINGS, CA, 92365	San Bernardino
0521-092-03	5949 BRIERCREST AVE	LAKewood	CA	90713	41881 NATIONAL TRAILS HWY	DAGGETT, CA, 92327	San Bernardino
0528-242-12	PO BOX 356	NEWBERRY SPRINGS	CA	92365	N/AVAIL	NEWBERRY SPRINGS, CA, 92365	San Bernardino
0531-071-14	2026 TURNBULL CANYON RD	HACIENDA HEIGHTS	CA	91745	N/AVAIL	NEWBERRY SPRINGS, CA, 92365	San Bernardino
0528-162-11	21444 PINE RIDGE AVE	APPLE VALLEY	CA	92307	N/AVAIL	NEWBERRY SPRINGS, CA, 92365	San Bernardino
0528-231-06	PO BOX 676	BLOOMINGTON	CA	92316	46808 NATIONAL TRAILS HWY	NEWBERRY SPRINGS, CA, 92365	San Bernardino
0416-041-44	2343 SUNSET CURV	UPLAND	CA	91784	37833 NATIONAL TRAILS HWY	DAGGETT, CA, 92327	San Bernardino
0528-243-16	1056 HEATHER DR	VISTA	CA	92084	N/AVAIL	NEWBERRY SPRINGS, CA, 92365	San Bernardino
0528-221-04	1268 FLEMINGTON RD	RIVERSIDE	CA	92506	46914 NATIONAL TRAILS HWY	NEWBERRY SPRINGS, CA, 92365	San Bernardino
0529-141-25	5511 TENDERFOOT DR	FONTANA	CA	92336	N/AVAIL	NEWBERRY SPRINGS, CA, 92365	San Bernardino
0516-271-27	9338 LOCUST AVE	FONTANA	CA	92335	N/AVAIL	DAGGETT, CA, 92327	San Bernardino
0528-181-10	4435 VIA LA JOLLA	OCEANSIDE	CA	92057	N/AVAIL	NEWBERRY SPRINGS, CA, 92365	San Bernardino
0528-181-12	2017 E 3RD ST	LOS ANGELES	CA	90033	47859 E STATE HWY 66	NEWBERRY SPRINGS, CA, 92365	San Bernardino
0529-211-10	19421 SIERRA LINDA RD	IRVINE	CA	92603	N/AVAIL	NEWBERRY SPRINGS, CA, 92365	San Bernardino
0529-132-17	PO BOX 431	MIRA LOMA	CA	91752	N/AVAIL	NEWBERRY SPRINGS, CA, 92365	San Bernardino
0528-192-10	607 N STONEMAN AVE	ALHAMBRA	CA	91801	N/AVAIL	NEWBERRY SPRINGS, CA, 92365	San Bernardino
0529-132-18	1230 DAKOTA ST	COOS BAY	OR	97420	48441 NATIONAL TRAILS HWY	NEWBERRY SPRINGS, CA, 92365	San Bernardino
0521-012-05	PO BOX 387	DAGGETT	CA	92327	38952 E HWY 66	DAGGETT, CA, 92327	San Bernardino
0521-012-07	118 MOUNT HOREB RD	WARREN	NJ	7059	HWY 66	DAGGETT, CA, 92327	San Bernardino
0529-131-63	199 N 290 W	LINDON	UT	84042	N/AVAIL	NEWBERRY SPRINGS, CA, 92365	San Bernardino
0529-271-02	N/AVAIL	N/AVAIL	N/AVAIL	N/AVAIL	N/AVAIL	LUDLOW, CA, 92338	San Bernardino
0528-092-09	133 E SANTA ANITA AVE	BURBANK	CA	91502	N/AVAIL	NEWBERRY SPRINGS, CA, 92365	San Bernardino
0529-211-50	24675 VIA TECOLOTE	CALABASAS	CA	91302	N/AVAIL	NEWBERRY SPRINGS, CA, 92365	San Bernardino
0529-211-34	3243 MUSCATEL AVE	ROSEMEAD	CA	91770	N/AVAIL	NEWBERRY SPRINGS, CA, 92365	San Bernardino
0529-181-01	52080 NATIONAL TRAILS HWY	NEWBERRY SPRINGS	CA	92365	52080 NATIONAL TRAILS HWY	NEWBERRY SPRINGS, CA, 92365	San Bernardino
0531-082-43	PO BOX 303	NEWBERRY SPRINGS	CA	92365	N/AVAIL	NEWBERRY SPRINGS, CA, 92365	San Bernardino
0529-171-08	15413 ORLANDA DR	BONITA SPRINGS	FL	34135	N/AVAIL	NEWBERRY SPRINGS, CA, 92365	San Bernardino
0521-042-17	7255 BAYMEADOWS WY JAXB2007	JACKSONVILLE	FL	32256	41309 NATIONAL TRAILS HWY	DAGGETT, CA, 92327	San Bernardino
0528-081-30	34631 MERLIN AVE	NEWBERRY SPRINGS	CA	92365	N/AVAIL	NEWBERRY SPRINGS, CA, 92365	San Bernardino
0521-101-23	32341 CAMINO CAPISTRANO	SAN JUAN CAPISTRANO	CA	92675	N/AVAIL	DAGGETT, CA, 92327	San Bernardino
0528-221-01	13927 MAIDSTONE AVE	NORWALK	CA	90650	N/AVAIL	NEWBERRY SPRINGS, CA, 92365	San Bernardino
0528-181-02	PO BOX 303	NEWBERRY SPRINGS	CA	92365	47962 HORNER ST	NEWBERRY SPRINGS, CA, 92365	San Bernardino
0529-171-52	3936 WALGROVE AVE	LOS ANGELES	CA	90066	N/AVAIL	NEWBERRY SPRINGS, CA, 92365	San Bernardino
0529-171-54	N/AVAIL	N/AVAIL	N/AVAIL	N/AVAIL	N/AVAIL	NEWBERRY SPRINGS, CA, 92365	San Bernardino
0529-182-03	14818 STONEHEDGE LN	WESTMINSTER	CA	92683	NATIONAL TRAILS HWY	NEWBERRY SPRINGS, CA, 92365	San Bernardino
0529-171-61	3661 SUTTER CT	OCEANSIDE	CA	92056	N/AVAIL	NEWBERRY SPRINGS, CA, 92365	San Bernardino

**Coolwater-Lugo Transmission Project
Ownership Mailing List for Notice of Amended Application for CPCN**

APN	MAILING ADDRESS	MAILING CITY	STATE	ZIP	SITUS ADDRESS	SITUS CITY/STATE/ZIP	SITUS COUNTY
0521-092-11	4229 AVENIDA SEVILLA	CYPRESS	CA	90630	N/AVAIL	NEWBERRY SPRINGS, CA, 92365	San Bernardino
0521-041-02	N/AVAIL	N/AVAIL	N/AVAIL	N/AVAIL	N/AVAIL	DAGGETT, CA, 92327	San Bernardino
0529-132-16	48301 NATIONAL TRAILS HWY	NEWBERRY SPRINGS	CA	92365	N/AVAIL	NEWBERRY SPRINGS, CA, 92365	San Bernardino
0529-141-27	744 MAGNOLIA AVE	UPLAND	CA	91786	48850 NATIONAL TRAILS HWY	NEWBERRY SPRINGS, CA, 92365	San Bernardino
0529-132-06	19052 E SMILEY DR	ORANGE	CA	92869	N/AVAIL	NEWBERRY SPRINGS, CA, 92365	San Bernardino
0416-041-21	620 ORANGEWOOD AVE	NEWBURY PARK	CA	91320	N/AVAIL	DAGGETT, CA, 92327	San Bernardino
0528-241-02	PO BOX 1006	HILLSBORO	NH	3244	46630 NATIONAL TRAILS HWY	NEWBERRY SPRINGS, CA, 92365	San Bernardino
0528-081-42	PO BOX 7663	LAGUNA NIGUEL	CA	92607	N/AVAIL	NEWBERRY SPRINGS, CA, 92365	San Bernardino
0528-192-25	6238 CALIENTE RD	OAK HILLS	CA	92344	47800 NATIONAL TRAILS HWY	NEWBERRY SPRINGS, CA, 92365	San Bernardino
0521-092-04	1215 ANCHORS WAY DR	VENTURA	CA	93001	N/AVAIL	NEWBERRY SPRINGS, CA, 92365	San Bernardino
0528-081-51	2318 BLUEHAVEN DR	ROWLAND HEIGHTS	CA	91748	N/AVAIL	NEWBERRY SPRINGS, CA, 92365	San Bernardino
0521-012-12	11706 BRITISH ARMS ST	SAN ANTONIO	TX	78251	N/AVAIL	DAGGETT, CA, 92327	San Bernardino
0529-211-51	930 7TH ST	NORCO	CA	92860	N/AVAIL	NEWBERRY SPRINGS, CA, 92365	San Bernardino
0529-151-09	1200 E CALIFORNIA BLVD	PASADENA	CA	91125	N/AVAIL	NEWBERRY SPRINGS, CA, 92365	San Bernardino
0529-181-07	3255 PINAIRE LN NW	RAMSEY	IN	47166	N/AVAIL	NEWBERRY SPRINGS, CA, 92365	San Bernardino
0521-041-01	1001 TREMONT RD	SANTA BARBARA	CA	93103	N/AVAIL	DAGGETT, CA, 92327	San Bernardino
0528-091-05	1885 PACIFIC AVE	LONG BEACH	CA	90806	46262 MONACO ST	NEWBERRY SPRINGS, CA, 92365	San Bernardino
0529-261-10	1333 CLEAR CRK	PRESCOTT	AZ	86305	N/AVAIL	N/AVAIL, CA, N/AVAIL	San Bernardino
0529-201-05	N/AVAIL	N/AVAIL	N/AVAIL	N/AVAIL	N/AVAIL	NEWBERRY SPRINGS, CA, 92365	San Bernardino
0529-131-27	39610 MORONGA CANYON DR	PALM DESERT	CA	92260	N/AVAIL	NEWBERRY SPRINGS, CA, 92365	San Bernardino
0529-141-11	5511 TENDERFOOT DR	FONTANA	CA	92336	5511 TENDERFOOT DR	FONTANA, CA, 92336	San Bernardino
0529-211-18	4536 FRUIT ST	LA VERNE	CA	91750	N/AVAIL	NEWBERRY SPRINGS, CA, 92365	San Bernardino
0521-011-10	195 S HEALTH TER	ANAHEIM	CA	92807	N/AVAIL	DAGGETT, CA, 92327	San Bernardino
0528-181-09	2400 W CASPER CT	LA HABRA	CA	90631	HWY 66	NEWBERRY SPRINGS, CA, 92365	San Bernardino
0528-192-15	930 MONTECITO DR	SAN GABRIEL	CA	91776	N/AVAIL	NEWBERRY SPRINGS, CA, 92365	San Bernardino
0521-042-01	3595 INLAND EMPIRE BLVD	ONTARIO	CA	91764	N/AVAIL	DAGGETT, CA, 92327	San Bernardino
0531-051-06	N/AVAIL	N/AVAIL	N/AVAIL	N/AVAIL	N/AVAIL	NEWBERRY SPRINGS, CA, 92365	San Bernardino
0529-261-11	6191 GREENBRIER DR	HUNTINGTON BEACH	CA	92648	N/AVAIL	N/AVAIL, CA, N/AVAIL	San Bernardino
0516-271-21	PO BOX 1381	APPLE VALLEY	CA	92307	N/AVAIL	DAGGETT, CA, 92327	San Bernardino
0528-221-15	543 ROCKPORT CT	ENCINITAS	CA	92024	N/AVAIL	NEWBERRY SPRINGS, CA, 92365	San Bernardino
0521-011-15	2731 RODNEY ST	NEWBURY PARK	CA	91320	N/AVAIL	DAGGETT, CA, 92327	San Bernardino
0531-071-07	17940 RANCHO ST	ENGINO	CA	91316	N/AVAIL	NEWBERRY SPRINGS, CA, 92365	San Bernardino
0531-072-02	PO BOX 358	NEWBERRY SPRINGS	CA	92365	45401 NATIONAL TRAILS HWY	NEWBERRY SPRINGS, CA, 92365	San Bernardino
0531-091-10	1885 PACIFIC AVE	LONG BEACH	CA	90806	46262 MONACO ST	NEWBERRY SPRINGS, CA, 92365	San Bernardino
0529-261-02	181 HILLWAY CIR	VENTURA	CA	93003	N/AVAIL	N/AVAIL, CA, N/AVAIL	San Bernardino
0529-261-05	110 E 18TH ST	GRAND ISLAND	NE	68801	N/AVAIL	N/AVAIL, CA, N/AVAIL	San Bernardino
0516-282-08	N/AVAIL	N/AVAIL	N/AVAIL	N/AVAIL	N/AVAIL	DAGGETT, CA, 92327	San Bernardino

**LIST OF NEWSPAPERS
PUBLISHING THE NOTICE FOR A
CERTIFICATE OF PUBLIC CONVENIENCE AND NECESSITY**

Desert Dispatch
130 Coolwater Lane
Barstow, CA 92311

Daily Press
13891 Park Avenue
Victorville, CA 92392

Hesperia Star
15550 Main, Suite C-11
Hesperia, CA 92345

Lucerne Valley Leader
P.O. Box 299
Lucerne Valley, CA 92356

Appendix D

ARTICLES OF INCORPORATION

This Appendix remains unchanged from the August 28, 2013 Application filing.

Appendix E

FINANCIAL STATEMENT - AMENDED

SOUTHERN CALIFORNIA EDISON COMPANY

BALANCE SHEET
DECEMBER 31, 2013
ASSETS
(in millions)

UTILITY PLANT:	
Utility plant, at original cost *	\$ 34,521
Less- accumulated provision for depreciation and decommissioning *	7,493
	27,028
Construction work in progress	3,219
Nuclear fuel, at amortized cost	132
	30,379
OTHER PROPERTY AND INVESTMENTS:	
Nonutility property - less accumulated depreciation of \$68	72
Nuclear decommissioning trusts	4,494
Other investments	140
	4,706
CURRENT ASSETS:	
Cash and equivalents	54
Receivables, less allowances of \$66 for uncollectible accounts	813
Accrued unbilled revenue	596
Inventory	256
Derivative assets	122
Regulatory assets	538
Deferred income taxes - net	303
Other current assets	393
	3,075
DEFERRED CHARGES:	
Regulatory assets	7,241
Derivative assets	251
Other long-term assets	398
	7,890
	\$ 46,050

* Detailed by class on following pages.

SOUTHERN CALIFORNIA EDISON COMPANY

BALANCE SHEET
DECEMBER 31, 2013
CAPITALIZATION AND LIABILITIES
(in millions)

CAPITALIZATION:

Common stock	\$ 2,168
Additional paid-in capital	592
Accumulated other comprehensive loss	(11)
Retained earnings	7,594
Common shareholder's equity	<u>10,343</u>
Preferred and preference stock	1,795
Long-term debt	9,422
Total capitalization	<u>21,560</u>

CURRENT LIABILITIES:

Short-term debt	175
Current portion of long-term debt	600
Accounts payable	1,373
Customer deposits	201
Derivative liabilities	152
Regulatory liabilities	767
Deferred income taxes	39
Other current liabilities	1,091
	<u>4,398</u>

DEFERRED CREDITS:

Deferred income taxes and credits	7,841
Derivative liabilities	1,042
Pensions and benefits	951
Asset retirement obligations	3,418
Regulatory liabilities	4,995
Other deferred credits and other long-term liabilities	1,845
	<u>20,092</u>
	<u>\$ 46,050</u>

SOUTHERN CALIFORNIA EDISON COMPANY

STATEMENT OF INCOME
TWELVE MONTHS ENDED DECEMBER 31, 2013

(In millions)

OPERATING REVENUE	<u>\$ 12,562</u>
OPERATING EXPENSES:	
Fuel	324
Purchased power	4,567
Other operation and maintenance	3,416
Depreciation, decommissioning and amortization	1,622
Property and other taxes	307
Asset impairment and disallowances	575
Total operating expenses	<u>10,811</u>
OPERATING INCOME	1,751
Interest income	10
Other income	112
Interest expense	(520)
Other expenses	(74)
INCOME BEFORE INCOME TAX	<u>1,279</u>
INCOME TAX EXPENSE	<u>279</u>
NET INCOME	1,000
Less: Dividends on preferred and preference stock	<u>100</u>
NET INCOME AVAILABLE FOR COMMON STOCK	<u><u>\$ 900</u></u>

Appendix F

COMPETING ENTITIES

This Appendix remains unchanged from the August 28, 2013 Application filing.

Appendix G

ANNUAL REVENUE REQUIREMENT

This Appendix remains unchanged from the August 28, 2013 Application filing.

Appendix H

ESTIMATED PROJECT COSTS - AMENDED

Coolwater-Lugo Trans Project¹

2 0 1 3 D O L L A R S

Project Element	Cost	Proposed			Alternative w/ Seg 9			Alternative w/ Seg 10		
		Minimum	Initial	Full	Minimum	Initial	Full	Minimum	Initial	Full
Licensing		\$36	\$36	\$36	\$36	\$36	\$36	\$36	\$36	\$36
PEA Development, Licensing	\$36	X	X	X	X	X	X	X	X	X
Substation		\$51	\$83	\$267	\$40	\$72	\$267	\$40	\$72	\$267
Desert View (Proposed, Minimum)	\$33	X								
New Desert View (Proposed, Initial)	\$65		X							
New Desert View (Alternative, Minimum)	\$22				X			X		
New Desert View (Alternative, Initial)	\$54					X			X	
New Desert View (Prop & Alt, Full)	\$249			X			X			X
Lugo Upgrades (Minimum)	\$4	X	X	X	X	X	X	X	X	X
Lugo Upgrades (Add No. 3AA Bank)	\$81									
Coolwater Upgrades (Minimum)	\$14	X	X	X	X	X	X	X	X	X
Transmission (>200kV)		\$255	\$273	\$273	\$343	\$362	\$362	\$344	\$363	\$363
Segment 1 (Minimum)	\$43	X								
Segment 1 (Initial & Full)	\$51		X	X						
Segment 2 (Minimum)	\$30	X			X			X		
Segment 2 (Initial & Full)	\$35		X	X		X	X		X	X
Segment 3 (Minimum)	\$10	X								
Segment 3 (Initial & Full)	\$12		X	X						
Segment 4 (Minimum)	\$11				X			X		
Segment 4 (Initial & Full)	\$13					X	X		X	X
Segment 5	\$44	X	X	X	X	X	X	X	X	X
Segment 5A	\$2	X	X	X						
Segment 5B	\$6				X	X	X	X	X	X
Segment 6	\$76				X	X	X	X	X	X
Segment 7	\$62	X	X	X						
Segment 8 (Minimum)	\$26				X			X		
Segment 8 (Initial & Full)	\$30					X	X		X	X
Segment 9 (Minimum)	\$22				X					
Segment 9 (Initial & Full)	\$26					X	X			
Segment 10 (Minimum)	\$19							X		
Segment 10 (Initial & Full)	\$23								X	X
Segment 11 (Minimum)	\$5				X			X		
Segment 11 (Initial & Full)	\$5					X	X		X	X
Segment 12 (Minimum)	\$4	X			X			X		
Segment 12 (Initial & Full)	\$4		X	X		X	X		X	X
Civil & Other Constr Activities (Prop Minimum)	\$61	X								
Civil & Other Constr Activities (Prop Initial & Full)	\$63		X	X						
Civil & Other Constr Activities (Alt w/ Seg 9 Minimum)	\$120				X					
Civil & Other Constr Activities (Alt w/ Seg 9 Initial & Full)	\$122					X	X			
Civil & Other Constr Activities (Alt w/ Seg 10 Minimum)	\$124							X		
Civil & Other Constr Activities (Alt w/ Seg 10 initial & Full)	\$126								X	X

NOTES:

¹ Direct costs in millions of 2013 constant dollars

² Numbers may not add exactly due to rounding

Coolwater-Lugo Trans Project¹

2 0 1 3 D O L L A R S

Project Element	Cost	Proposed			Alternative w/ Seg 9			Alternative w/ Seg 10		
		Minimum	Initial	Full	Minimum	Initial	Full	Minimum	Initial	Full
Transmission (<200kV)		\$2	\$2	\$2	\$2	\$2	\$2	\$2	\$2	\$2
115kV Crossings (Proposed)	\$2	X	X	X						
115kV Crossings (Alternative)	\$2				X	X	X	X	X	X
Distribution		\$2	\$2	\$2	\$2	\$2	\$2	\$2	\$2	\$2
Station Light & Power	\$1	X	X	X	X	X	X	X	X	X
Distribution Crossings	\$2	X	X	X	X	X	X	X	X	X
Telecommunications		\$9	\$9	\$10	\$9	\$9	\$9	\$9	\$9	\$9
All Telecom (Minimum & Initial)	\$5	X	X		X	X		X	X	
All Telecom (Full)	\$5			X			X			X
Apple Valley-Desert View Fiber Optic	\$1	X	X	X						
Gale-Pisgah Fiber Optic	\$1	X	X	X	X	X	X	X	X	X
Lugo-Coolwater Fiber Optic (Various UG)	\$2	X	X	X	X	X	X	X	X	X
Real Estate		\$27	\$27	\$27	\$30	\$30	\$30	\$30	\$30	\$30
Real Estate (Proposed)	\$27	X	X	X						
Real Estate (Alternative w/ Seg 9)	\$30				X	X	X			
Real Estate (Alternative w/ Seg 10)	\$30							X	X	X
Environmental		\$77	\$77	\$77	\$79	\$79	\$79	\$79	\$79	\$79
Monitoring & Mitigation (Proposed)	\$77	X	X	X						
Monitoring & Mitigation (Alternative)	\$79				X	X	X	X	X	X
Direct Expenditures²:		\$460	\$509	\$694	\$541	\$592	\$788	\$542	\$593	\$788
Direct Expenditures w/ 35% Contingency:		\$621	\$687	\$936	\$730	\$800	\$1,064	\$731	\$800	\$1,064

NOTES:

¹ Direct costs in millions of 2013 constant dollars

² Numbers may not add exactly due to rounding

Appendix I

PROJECT MAP

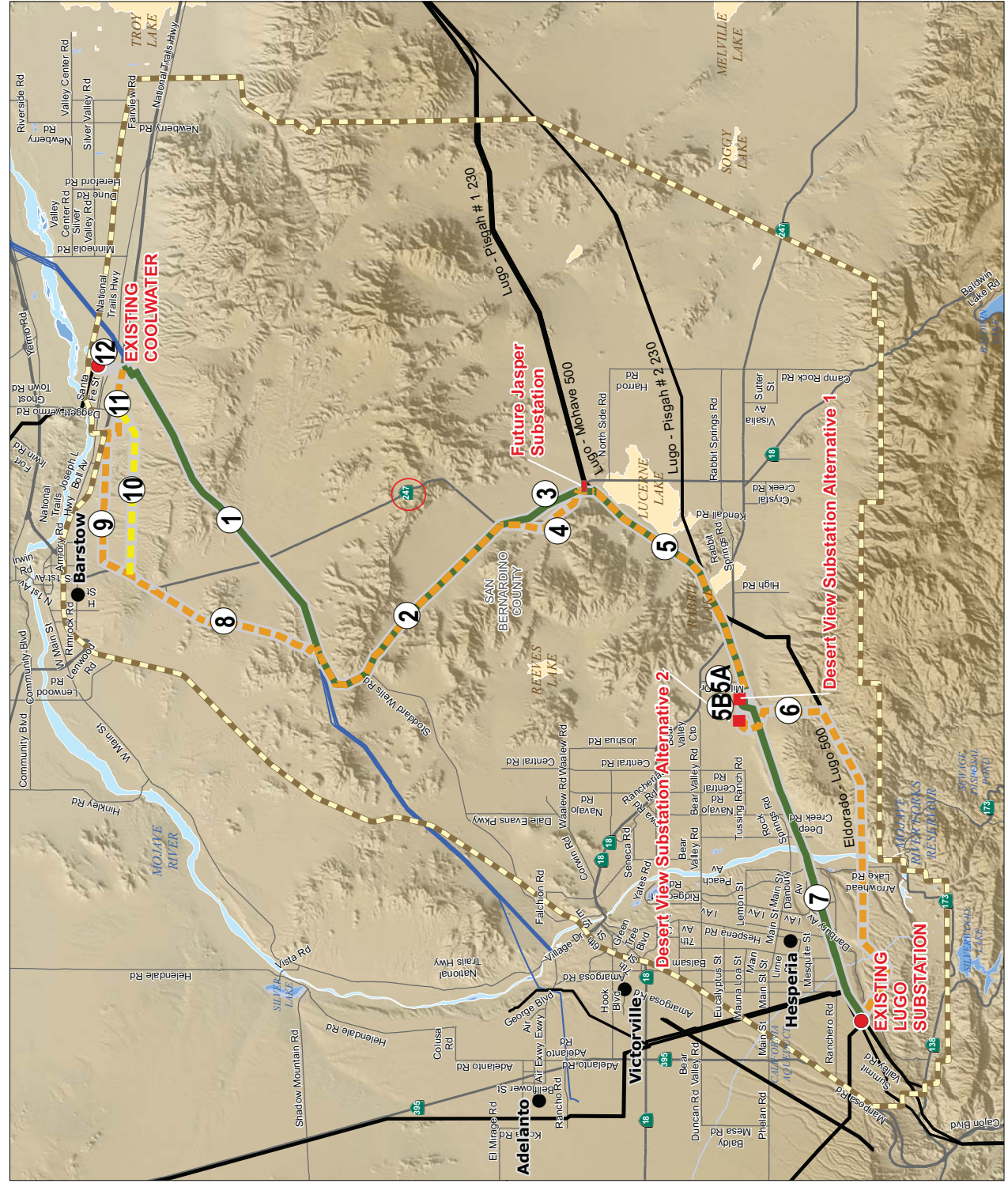
**Figure 2.1-1-C
Location Map for Transmission
Line Route Segments**

- Proposed Substations
- 7 Segment Identity
- Transmission Route Alternative A
- Transmission Route Alternative B
- Alternative Segment for Alternative B
- Project Study Area

- Existing Substations (SCE, 2006)
- Substation
- <= 220 kV Transmission Lines
- LADWP Transmission Lines
- Cities (ESRI, 2000)
- Transportation Lines (TBM, 2008)
- County Boundaries (TBM, 2008)
- Water (TBM, 2008)
- Perennial
- Intermittent
- Dry



Features depicted herein are planning level accuracy, and intended for informational purposes only. Distances and locations may be distorted at this scale. Always consult with the proper legal documents or agencies for more information.
 © Corporate Real Estate Department, REO - Survey and Mapping
 Thomas Bros. Maps is a registered trademark of Rand McNally & Company. Reproduced with permission of Rand McNally & Company. All rights reserved.



Appendix J

**AMENDED PEA EXECUTIVE SUMMARY AND CHAPTER 1
PURPOSE AND NEED**

EXECUTIVE SUMMARY

ES.1 Purpose and Need of the Proposed Project

As part of the Renewable Energy Transmission Initiative (“RETI”)¹, the Barstow, Inyokern, Kramer, Lucerne Valley, and Owens Valley areas, significant portions of which are under Bureau of Land Management (“BLM”) jurisdiction, have been identified to be rich solar and wind resource areas in the State of California. In addition, the Desert Renewable Energy Conservation Plan (“DRECP”)² has also identified large amounts of renewable generation potential in the Mojave Desert area³. Existing generation in these areas, together with most of the identified future generation potential in the RETI competitive renewable energy zones and a significant portion of the generation potential in the DRECP development focus areas, would ultimately flow into Kramer Substation in Kramer Junction, CA and would then need to be exported to the south to serve customer demand in the Los Angeles basin.

~~The proposed construction and upgrade of transmission and substation facilities would be required to deliver the power produced in these areas to utility load centers.~~ The purpose of the proposed Coolwater-Lugo Transmission Project (“Coolwater-Lugo”), planned to be operational by 2018, is to provide additional transmission capacity to help alleviate the 220 kilovolt (“kV”) transmission bottlenecks between the existing Kramer and Lugo Substations and between the Lucerne Valley area and Lugo Substation, to facilitate the interconnection of renewable generation projects, to accommodate future load serving in the High Desert Region, particularly in the Town of Apple Valley, and to facilitate additional system reliability. Specifically, Coolwater-Lugo would ensure the deliverability of the Commercial Interest Portfolio’s 750 MW of renewable generation in the Kramer zone and 106 MW in the Lucerne zone as indicated in the 2012-2013 CAISO Annual Transmission Plan.⁴ Under minimum load conditions, the amount of incremental generation output that could be accommodated by Coolwater-Lugo would be limited to approximately 500 MW⁵, due to incremental congestion on the existing Lugo No.1AA and No.2AA 500/220 kV transformer banks resulting from lower load demand. The capacity of Coolwater-Lugo and its continued ability to relieve transmission constraints in the Kramer-Lugo and Lugo-Pisgah Corridors will be tied to load growth, 3rd party

¹ <http://www.energy.ca.gov/reti/>

² <http://www.drecp.org/>

³ http://www.drecp.org/meetings/2012-04-25-26_meeting/background/Transmission_Planning/Transmission_Technical_Group_report_final_4_16_12.pdf

⁴ <http://www.aiso.com/Documents/BoardApproved2012-2013TransmissionPlan.pdf> (p. 155)

⁵ Without installation of a Lugo No.3AA 500/220 kV transformer bank, the capacity of Coolwater-Lugo would be dictated by the remaining capacity of the existing Lugo No.1AA & No.2AA 500/220 kV transformer banks which have an anticipated remaining capacity of approximately 500 MW in the year 2018 under minimum load conditions.

generation projects pursuing development in the Kramer and Lucerne Valley areas, and the specific point of interconnections (POI) of those 3rd party generation projects.

The proposed Coolwater-Lugo scope would consist of installing new transmission lines, new substation facilities to support line termination, and telecommunication facilities to support line protection and the use of a Special Protection System (“SPS”)¹. The transmission line would utilize a combination of single-circuit and double-circuit structures consisting of 220 kV and 500 kV design standards between the existing Coolwater Generation Station 220 kV Switchyard (“Coolwater Switchyard”) and the existing CAISO-controlled Lugo Substation, in order to provide an additional path for power to flow from Kramer Substation ultimately to Lugo Substation. Routing of the transmission line south from Coolwater Switchyard through the Lucerne Valley area to Southern California Edison’s (“SCE”) existing transmission ROW, would facilitate future connection to SCE proposed Jasper Substation, which is a separate project that is being developed approximately 22 miles south of Coolwater Switchyard and 27 miles northeast of Lugo Substation. ~~In addition, a new 500/220 kV transformer bank would be installed at Lugo Substation and~~ A new Desert View Substation with ultimate design for 500/220/115/12 kV, would be sited and partially constructed approximately 16 miles northeast of Lugo Substation along the proposed transmission line route as part of Coolwater-Lugo in order to consolidate three transmission lines, the new Coolwater-Desert View 220 kV line, and the existing Lugo-Pisgah 220kV #1 and Lugo Pisgah 220kV #2 lines into the existing SCE ROW

As discussed below, and further discussed in Section 1.1 *Project Purpose*, the purpose of the proposed Coolwater-Lugo is to:

1. Facilitate achievement of the state-mandated Renewables Portfolio Standard (“RPS”) (i.e., 33% renewable by year 2020 per Senate Bill 2 (SBX1 2) in an orderly, rational and cost-effective manner, while also considering the need for maintaining reliable electric service during the upgrade and/or construction of new facilities;
2. Integrate planned renewable generation projects in the Kramer and Lucerne Valley areas and provide for the full delivery of a ~~250~~ 275 MW renewable generation project, known as the Mojave Solar Project, in a manner which minimizes potential environmental impacts. Currently the ~~250~~ 275 MW renewable generation project is under construction by Abengoa Solar, Inc. (Abengoa), the interconnection customer, who has executed a Power Purchase Agreement (“PPA”) pursuant to California Public Utilities Commission

¹ As defined by the North American Electric Reliability Corporation (NERC), a SPS is an automatic protection system designed to detect abnormal or predetermined system conditions, and take corrective actions other than and/or in addition to the isolation of faulted components to maintain system reliability. Such action may include changes in demand, generation (MW and MVAR), or system configuration to maintain system stability, acceptable voltage, or power flows.

(“CPUC”) tariff. Abengoa is seeking interconnection via the California Independent System Operator (“CAISO”) Interconnection Process;¹

3. Interconnect and ~~deliver energy from up to 1,000 MW~~ ensure the deliverability of the Commercial Interest Portfolio’s 750 MW of renewable generation in the Kramer zone and 106 MW in the Lucerne zone as indicated in the 2012-2013 CAISO Annual Transmission Plan² in a way that complies with all applicable CAISO, North American Electric Reliability Corporation (“NERC”), and Western Electric Coordinating Council (“WECC”) reliability planning criteria, and in a manner that minimizes transmission line crossings;
4. Support the State of California Greenhouse Gas (“GHG”) Reduction Program;
5. Assist the BLM in meeting the Federal Renewable Energy Mandate to develop 10,000 MW of renewable generation on public lands by 2015;³
6. Support SCE’s California Renewable Energy Small Tariff (“CREST”), Renewable Market Adjusting Tariff (Re-MAT), and SCE’s Rule 21 Projects. By expanding transmission capacity south of Kramer, the Coolwater-Lugo would allow an increased number of SCE retail customers to export to the grid power produced from eligible small-scale renewable energy facilities under CREST, Re-MAT, and Rule 21;
7. Support military desire to serve its own load under Rule 21. The Coolwater-Lugo would allow the military facilities in the Kramer Junction and Ridgecrest areas to develop and serve their own load to meet national security goals;
8. Address the City of Ridgecrest’s renewable energy integration concerns by reducing the existing Kramer-Lugo transmission bottleneck and thus allowing increased development of renewable energy projects in the Ridgecrest area, including Rule 21 projects and projects on military facilities;
9. Facilitate serving future load in the High Desert Region which includes the Town of Apple Valley. As load continues to grow in the High Desert Region, Victor Substation will reach its load serving limits thereby requiring a new major load-serving substation;

¹ Abengoa, CAISO, and SCE executed a Large Generation Interconnection Agreement (“LGIA”) for SCE to construct the Coolwater-Lugo 220 kV transmission line in order to provide the Mojave Solar Project full capacity deliverability. The FERC on January 28, 2011 accepted the LGIA with an effective date of January 30, 2011. FERC Docket Nos. ER11-2204-000 and ER11-2368-000.

² <http://www.caiso.com/Documents/BoardApproved2012-2013TransmissionPlan.pdf> (p. 155)

³ Executive Order 13212, Actions to Expedite Energy-Related Projects, requires federal agencies to expedite review of energy project applications; and the Energy Policy Act of 2005 (Title II, Sec. 211) requires the Department of Interior (“DOI”) to approve at least 10,000 MW of renewable energy on public lands by 2015.

10. Facilitate reliability improvements in the Lugo-Pisgah Transmission Corridor, at Coolwater 220 kV Substation, and at Lugo Substation. Currently, eight 500 kV transmission lines terminate at Lugo Substation. By developing Coolwater-Lugo, including the Desert View Substation and corresponding telecommunication upgrades, line protection would be upgraded in the Lugo-Pisgah Transmission Corridor, 220 kV switchrack upgrades would occur at Coolwater 220 kV Substation, and future transmission lines could be delooped out of Lugo Substation could be delooped in the future and looped into Desert View Substation thereby improving overall system reliability; and,
11. Meet project purpose and objectives while minimizing potential environmental effects of Coolwater-Lugo. Specific approaches to minimizing potential environmental effects include:
 - a) Maximizing the use of existing, previously disturbed transmission corridors to minimize potential effects on previously undisturbed land and resources;
 - b) Selecting site, route, and structure locations with the lowest potential for environmental impacts while still meeting project objectives; and,
 - c) Selecting a route that minimizes potential environmental impacts and project costs.

One of the major existing bottlenecks that would preclude the transfer of energy produced from renewable resources accumulating at Kramer Substation, is referred to as the Kramer-Lugo transmission corridor. This corridor consists of two 220 kilovolt (“kV”) and two 115 kV transmission lines with limited transfer capability due to existing facility limitations. Specifically, the Kramer-Lugo No.1 and No.2 220 kV transmission lines are currently at thermal capacity under peak system conditions, cannot be upgraded, and have become a transmission bottleneck. A second existing bottleneck that would also preclude the transfer of energy from future renewable resources developing in the Lucerne Valley area, near SCE’s future Jasper Substation, is referred to as the Lugo-Pisgah transmission corridor. Figure ES.1-A depicts a block diagram of the major transmission facilities associated with these two corridors.

On August 22, 2006, Mojave Solar LLC applied to the CAISO for interconnection of the proposed Mojave Solar Project pursuant to Section 3.5 of the Larger Generator Interconnection Procedures issued under the CAISO Tariff. The Queue #125 Mojave Solar Project is a solar thermal generating facility, currently being constructed in Hinkley California, which will interconnect into SCE's Sandlot¹ Substation and ultimately inject 275² MW into Kramer Substation and exceed the remaining Kramer-Lugo transmission corridor capacity.

ES.2 Project Objectives

The California Environmental Quality Act ("CEQA") (Pub. Res. Code § 21000, et seq.) and Section 15126.6 (a) of the CEQA Guidelines³ require the consideration of a reasonable range of alternatives to a proposed project, or the location of a proposed project, that would feasibly attain most of the basic objectives of the project but would avoid or substantially lessen any of the significant effects of the project. Section 15126.6 (a) of the CEQA Guidelines also requires that the comparative merits of the alternatives be evaluated. In order to develop a reasonable range of alternatives, Section 15124(b) of the CEQA Guidelines requires that a clearly written statement of objectives be prepared for a proposed project that demonstrates the objectives sought to be achieved by the project and includes the underlying purpose of the project. The range of potential alternatives selected for evaluation shall "include those that could feasibly accomplish most of the basic objectives of the project and could avoid or substantially lessen one or more of the significant effects."⁴ In addition to the purposes described above and in Section 1.1, SCE has identified the following objectives for meeting Coolwater-Lugo's purpose and need described in this chapter:

1. Facilitate SCE and other California utilities ~~achievement of~~ achieving and maintaining California's Renewable Portfolio Standards in an expedited manner;
2. Provide transmission facilities identified as necessary for the full delivery of a ~~250~~ 275-megawatt renewable generation project located in the Barstow area, and future generation resources in the Barstow, Inyokern, Kramer, Lucerne Valley/future Jasper Substation, Town of Apple Valley, and Owens Valley areas;
3. Comply with all applicable reliability planning criteria required by the California Independent System Operator, the North American Electric Reliability Corporation, and the Western Electric Coordinating Council;
4. Support California's GHG Reduction Program;

¹ www.sce.com/sandlot

² The Abengoa Mojave Solar Project consists of a 250 MW interconnection request (Q125) and an incremental 25 MW request (Q909), for a total of 275 MW.

³ See Cal. Code Regs., tit. 14, §15000, et seq.

⁴ Cal. Code Regs., tit. 14, §15126.6(c).

5. Support ~~Bureau of Land Management~~ (“BLM”) compliance with the Federal Renewable Energy Mandate;
6. Provide transmission facilities in a timely manner that would facilitate the interconnection of eligible small-scale renewable energy facilities ~~California Renewable Energy Small Tariff~~ under SCE’s CREST, Re-MAT, and Rule 21 ~~tariffs~~ projects;
7. Provide transmission facilities that facilitate the Department of Defense meeting their Energy Mandate of producing or procuring 25 percent of their total energy from renewable energy sources beginning in 2025 as outlined under the National Defense Authorization Act of 2010;¹
8. Address transmission capacity concerns from the City of Ridgecrest;
9. License a new multipurpose 500/220/115/12 ~~kilovolt~~ (“kV”) Desert View Substation southeast of the Town of Apple Valley to facilitate load serving, reliability, and future generation interconnections;²
10. Construct facilities in an orderly, rational, and cost-effective manner to maintain reliable electric service and by minimizing service interruptions during construction;
11. Minimize potential environmental impacts through selection of transmission routes and substation site locations, including maximizing the use of existing transmission corridors in order to minimize potential effects on previously undisturbed land and resources³, and where existing right-of-ways (“ROWs”) are not available, utilize the shortest route that minimizes potential environmental impacts;
12. Meet project needs in a cost-effective and timely manner; and,

¹ See http://www.govenergy.com/2010/Files/Presentations/Renewables/2010_GovEnergy_Tindal.pdf

² The proposed Desert View Substation would be initially constructed with only the facilities needed to support the transmission line from Coolwater to Lugo. Similar to SCE’s Antelope Substation and Windhub Substation, SCE is seeking to license the full build out of Desert View Substation, which would include 500/220/115/12 kV facilities needed for anticipated load serving in the High Desert Region, particularly the Town of Apple Valley, additional reliability, and future generation interconnections.

³ See Garamendi Principles (Senate Bill 2431, Stats. 1988, Ch. 1457) regarding State transmission siting policies, including; 1) encourage the use of existing rights-of-way by upgrading existing transmission facilities where technically and economically justifiable; 2) when construction of new transmission lines is required, encourage expansion of existing right-of-way, when technically and economically feasible; 3) provide for the creation of new rights-of-way when justified by environmental, technical, or economic reasons as determined by the appropriate licensing agency; 4) where there is a need to construct additional transmission capacity seek agreement among all interested utilities on the efficient use of that capacity.

13. Design and construct the Project in conformance with SCE's current engineering, design, and construction standards for substation, transmission, subtransmission, and distribution system projects.

ES.3 Summary of Proposed Project

To provide additional south of Kramer capacity to integrate current and future renewable generation projects, SCE needs to develop new and upgraded transmission facilities. These new and upgraded transmission facilities would eliminate the bottlenecks that would preclude renewable generation resources from reaching the utility load centers. To this end, SCE is required to develop and maintain a reliable transmission network with adequate capacity. The facilities needed to deliver the electrical power from the new planned generation resources located in the Barstow, Inyokern, Kramer, Lucerne Valley/future Jasper Substation, and Owens Valley areas have been identified through generation interconnection studies performed as mandated by the CAISO. The major components of these facilities are summarized below with complete descriptions provided in Chapter 3, *Project Description*.

Substations

- Reconfigure Coolwater 220 kV Switchyard
- Terminate new Coolwater-Desert View 220 kV Transmission Line at the Coolwater and Desert View 220 kV buses
- Install new relay buildings and necessary equipment to support the SPS at Coolwater 220 kV Switchyard
- ~~▪ Expand the Lugo 500 kV Switchrack to the south five positions~~
- ~~▪ Relocate two existing 500 kV transmission line terminations at Lugo Substation~~
- Terminate new Desert View-Lugo 220 kV Transmission Line at the Desert View and Lugo 220 kV buses
- ~~▪ Install one 500/220 kV transformer bank at Lugo Substation~~
- ~~▪ Construct new relay building and install bank protection relays at Lugo Substation~~
- Install new protection, control, and SPS at Lugo Substation
- License proposed Desert View 500/220/115/12 kV Substation and initially construct the facilities necessary to loop the Coolwater-Lugo 220 kV Transmission Line and the Lugo-Pisgah No.1 & No.2 220 kV Transmission Lines into Desert View Substation including new protection, control, and SPS at Desert View Substation.

Transmission and Telecommunication

- Remove approximately 29.1 miles of the existing Lugo-Pisgah No.1 220 kV Transmission Line from Lugo Substation northeast to approximately the intersection of Haynes Road and State Route 247 (“SR-247”)
- Remove approximately 16.0 miles of the existing Lugo-Pisgah No.2 220 kV Transmission Line from Lugo Substation northeast to proposed Desert View Substation and terminate the remaining portion of this line into the proposed Desert View Substation
- Construct 16.6 miles of 500 kV single-circuit transmission line (utilizing 2B-2156 ACSR conductor, replacing the two existing Lugo-Pisgah No.1 and No.2 220 kV Transmission lines, initially operated at 220 kV) from Lugo Substation to the proposed Desert View Substation and 13.6 miles of 220 kV double-circuit transmission line in existing ROW from proposed Desert View Substation to approximately the intersection of Haynes Road and SR-247
- Construct approximately 34.0 miles of 220 kV double-circuit transmission line from Coolwater 220 kV Switchyard south to the existing Lugo-Pisgah transmission corridor, located approximately near the intersection of Haynes Road and SR-247
- Install a new 150-foot tall microwave tower and foundation at the existing Coolwater 220 kV Switchyard
- Install lightwave transponder equipment or optical amplifier and channel bank equipment at Coolwater Switchyard, Lugo Substation, and the proposed Desert View Substation
- Install approximately 11.0 miles of Fiber-Optic Cable from existing Apple Valley Substation to the proposed Desert View Substation
- Install approximately 29.0 miles of Fiber-Optic Cable from existing Pisgah Substation near Ludlow to the existing Gale Substation near Daggett

ES.4 Alternatives to the Proposed Project

ES.4.1 Overview

Alternatives to the Proposed Project were developed and evaluated based on the Project objectives, purpose, and need. As summarized in Section ES.2, the purpose of the proposed Coolwater-Lugo Transmission Project is to help alleviate the 220 kV transmission bottleneck between the existing Kramer and Lugo Substations, to facilitate the interconnection of renewable generation projects, to accommodate future load serving in the High Desert Region, particularly in the Town of Apple Valley, and to facilitate additional system reliability.

ES.4.2 System Alternatives

System alternatives considered and eliminated include: (1) Constructing a Coolwater-Pisgah 220 kV Transmission Line; (2) Rebuilding the Existing Kramer-Lugo 220 kV Transmission Lines; (3) Reconductoring the Existing Kramer-Lugo 220 kV Transmission Lines; (4) Constructing a Kramer-Lugo No.3 220 kV Transmission Line; (5) Constructing a Kramer-Llano 500 kV Transmission Line; (6) Constructing a Kramer-Llano 500 kV Transmission Line and rebuilding of the Lugo-Pisgah No.1 220 kV Transmission Line; (7) The AV Clearview Transmission Proposal – Baseline Case (non-SCE sponsored project); (8) AV Clearview Transmission Proposal – Expanded Case (non-SCE sponsored project); and, (9) No project alternative. System alternatives were eliminated from further consideration (refer to Chapter 1, *Purpose & Need*, Section 1.4 for detailed information).

ES.4.3 Transmission Route & Substation Site Alternatives

Transmission line route alternatives considered include: (Route Alternative A) Exiting the west side of Coolwater Switchyard and continuing south across Interstate 40 (“I-40”) and paralleling the Los Angeles Department of Water and Power transmission corridor to the Lucerne Valley Cutoff, following the Lucerne Valley Cutoff in new ROW to ~~State Route 247~~ (“SR-247”), following SR-247 south to an existing SCE transmission ROW, using the existing SCE transmission ROW southwest to the proposed Desert View Substation, and continuing southwest in the existing ROW to SCE’s existing Lugo Substation; (Route Alternative B with Segment 9) same as Route Alternative A, except south of I-40 paralleling an existing SCE 115 kV subtransmission line west across the Marine Corps Logistics Base (“MCLB”) Barstow to SR-247, continuing southwest in new ROW adjacent to existing dirt OHV access roads to Lucerne Valley Cutoff, same as Route Alternative A along Lucerne Valley Cutoff to SR-247, then continuing in new ROW along base of Granite Mountains to existing SCE transmission ROW, same as Route Alternative A in existing ROW to the alternative Desert View Substation site, continuing in new ROW south from Desert View to an existing SCE 500 kV transmission corridor, then paralleling the existing corridor to Lugo Substation; and (Route Alternative B with Segment 10) same as Route Alternative B with Segment 9, with only difference being an alternative segment around the MCLB Barstow on the south side in new ROW west to SR-247.

Substation site alternatives considered include: (Site Alternative 1) The enclosed area of the Proposed Desert View Substation would encompass approximately 86.0 acres located in unincorporated San Bernardino County, to the southeast of the Town of Apple Valley and west of Lucerne Valley. The dimensions of the substation would be approximately 2,200 feet by 1,700 feet. The proposed substation site is vacant desert land containing no improvements. Potential utilities available in the area may include electrical, gas, water, and telecommunications; and (Site Alternative 2) The enclosed area of the substation would encompass approximately 82.0 acres located in unincorporated San Bernardino County, to the southeast of the Town of Apple Valley and west of Lucerne Valley. The dimensions of the substation would be approximately 2,090 feet by 1,700 feet.

The alternative substation site is vacant desert land containing a single-family residential home in the southeast corner of the site, which would be demolished prior to construction activities. In addition there are storage containers on the northwest corner of the substation site and in the center of the site, which would need to be removed.

ES.4.4 Proposed Project

Transmission Line Route Alternative A and Substation Site Alternative 1 are carried forward as the Proposed Project in this document. Route A was selected because it maximizes the use of existing transmission ROW, is shorter in length, minimizes impacts to off-highway vehicle recreation areas, and avoids the Bendire's Thrasher and Juniper Flats Areas of Critical Environmental Concern. Substation Site 1 was selected because is located entirely on vacant land and is closer to the existing transmission corridor.

Transmission Line Route Alternative B with Segments 9 or 10 is paired with Substation Site Alternative 2 and carried forward as the Alternative Project.

ES.5 Environmental Summary

SCE conducted an environmental impact assessment for Coolwater-Lugo. The impact assessment is discussed in Section 4, *Environmental Impact Assessment*. The assessment addressed the following environmental topics:

- Aesthetics
- Agricultural and Forestry Resources
- Air Quality
- Biological Resources
- Cultural and Paleontological Resources
- Geology and Soils
- Hazards and Hazardous Materials
- Hydrology and Water Quality
- Land Use and Planning
- Mineral Resources
- Noise
- Socioeconomics, Population and Housing, and Environmental Justice
- Public Services
- Recreation

- Transportation and Traffic
- Utilities and Service Systems

Table ES.5-1 contains a summary of the impact assessment, organized by CEQA checklist impact assessment questions.

Table ES.5-1 Impact Assessment Summary

Issues:	Anticipated Impact Significance
I. AESTHETICS: Would the project:	
a) Have a substantial adverse effect on a scenic vista?	No impact
b) Substantially damage scenic resources, including, but not limited to, trees, rock outcroppings, and historic buildings within a state scenic highway?	No impact
c) Substantially degrade the existing visual character or quality of the site and its surroundings?	Significant impact
d) Create a new source of substantial light or glare which would adversely affect day or nighttime views in the area?	Less than significant impact
II. AGRICULTURE AND FORESTRY RESOURCES: Would the project:	
a) Convert Prime Farmland, Unique Farmland, or Farmland of Statewide importance (Farmland), as shown on the maps prepared pursuant to the Farmland Mapping and Monitoring Program of the California Resources Agency, to non-agricultural use?	No impact
b) Conflict with existing zoning for agricultural use, or a Williamson Act contract?	No impact
c) Conflict with existing zoning for, or cause rezoning of, forest land (as defined in Public Resources Code section 12220(g)), timberland (as defined by Public Resources Code section 4526), or timberland zoned Timberland Production (as defined by Government Code section 51104(g))?	No impact
d) Result in the loss of forest land or conversion of forest land to non-forest use?	No impact
e) Involve other changes in the existing environment which, due to their location or nature, could result in conversion of Farmland, to nonagricultural use or conversion of forest land to non-forest use?	No impact
III. AIR QUALITY: Would the project:	
a) Conflict with or obstruct implementation of the applicable air quality plan?	No impact

Table ES.5-1 Impact Assessment Summary

Issues:	Anticipated Impact Significance
b) Violate any air quality standard or contribute substantially to an existing or projected air quality violation?	Significant impact
c) Result in a cumulatively considerable net increase of any criteria pollutant for which the project region is non-attainment under an applicable federal or state ambient air quality standard (including releasing emissions which exceed quantitative thresholds for ozone precursors)?	Significant impact
d) Expose sensitive receptors to substantial pollutant concentrations?	Less than significant impact
e) Create objectionable odors affecting a substantial number of people?	Less than significant impact
IV. BIOLOGICAL RESOURCES: Would the project:	
a) Have a substantial adverse effect, either directly or through habitat modifications, on any species identified as a candidate, sensitive, or special status species in local or regional plans, policies, or regulations, or by the California Department of Fish and Game or U.S. Fish and Wildlife Service?	Less than significant impact with incorporation of APMs
b) Have a substantial adverse effect on any riparian habitat or other sensitive natural community identified in local or regional plans, policies, regulations or by the California Department of Fish and Game or U.S. Fish and Wildlife Service?	Less than significant impact with incorporation of APMs
c) Have a substantial adverse effect on federally protected wetlands as defined by Section 404 of the Clean Water Act (including, but not limited to, marsh, vernal pool, coastal, etc.) through direct removal, filling, hydrological interruption, or other means?	No impact
d) Interfere substantially with the movement of any native resident or migratory fish or wildlife species or with established native resident or migratory wildlife corridors, or impede the use of native wildlife nursery sites?	Less than significant impact
e) Conflict with any local policies or ordinances protecting biological resources, such as a tree preservation policy or ordinance?	Less than significant impact
f) Conflict with the provisions of an adopted Habitat Conservation Plan, Natural Community Conservation Plan, or other approved local, regional, or state habitat conservation plan?	Less than significant impact

Table ES.5-1 Impact Assessment Summary

Issues:	Anticipated Impact Significance
V. CULTURAL RESOURCES: Would the project:	
Cause a substantial adverse change in the significance of a historical resource as defined in § 15064.5?	Less than significant impact with incorporation of APMs
b) Cause a substantial adverse change in the significance of an archaeological resource pursuant to §15064.5?	Less than significant impact with incorporation of APMs
c) Directly or indirectly destroy a unique paleontological resource or site or unique geologic feature?	Less than significant impact with incorporation of APMs
d) Disturb any human remains, including those interred outside of formal cemeteries?	Less than significant impact with incorporation of APMs
VI. GEOLOGY AND SOILS: Would the project?	
a) Expose people or structures to potential substantial adverse effects, including the risk of loss, injury, or death involving:	
i) Rupture of a known earthquake fault, as delineated on the most recent Alquist-Priolo Earthquake Fault Zoning Map issued by the State Geologist for the area or based on other substantial evidence of a known fault?	Less than significant impact
ii) Strong seismic ground shaking?	Less than significant impact
iii) Seismic-related ground failure, including liquefaction?	Less than significant impact
iv) Landslides?	Less than significant impact
b) Result in substantial soil erosion or the loss of topsoil?	Less than significant impact
c) Be located on a geologic unit or soil that is unstable, or that would become unstable as a result of the project, and potentially result in on- or off-site landslide, lateral spreading, subsidence, liquefaction or collapse?	Less than significant impact

Table ES.5-1 Impact Assessment Summary

Issues:	Anticipated Impact Significance
d) Be located on expansive soil, as defined in Table 18-1-B of the Uniform Building Code (1994), creating substantial risks to life or property?	Less than significant impact
e) Have soils incapable of adequately supporting the use of septic tanks or alternative waste water disposal systems where sewers are not available for the disposal of waste water?	Less than significant impact
VII. GREENHOUSE GAS EMISSIONS: Would the project?	
a) Generate greenhouse gas emissions, either directly or indirectly, that may have a significant impact on the environment?	Less than significant impact
b) Conflict with an applicable plan, policy or regulation adopted for the purpose of reducing the emissions of greenhouse gases?	Less than significant impact
VIII. HAZARDS AND HAZARDOUS MATERIALS: Would the project:	
a) Create a significant hazard to the public or the environment through the routine transport, use, or disposal of hazardous materials?	Less than significant impact
b) Create a significant hazard to the public or the environment through reasonably foreseeable upset and accident conditions involving the release of hazardous materials into the environment?	Less than significant impact
c) Emit hazardous emissions or handle hazardous or acutely hazardous materials, substances, or waste within one-quarter mile of an existing or proposed school?	No impact
d) Be located on a site which is included on a list of hazardous materials sites compiled pursuant to Government Code Section 65962.5 and, as a result, would it create a significant hazard to the public or the environment?	No impact
e) For a project located within an airport land use plan or, where such a plan has not been adopted, within two miles of a public airport or public use airport, would the project result in a safety hazard for people residing or working in the project area?	Less than significant impact
f) For a project within the vicinity of a private airstrip, would the project result in a safety hazard for people residing or working in the project area?	Less than significant impact
g) Impair implementation of or physically interfere with an adopted emergency response plan or emergency evacuation plan?	Less than significant impact

Table ES.5-1 Impact Assessment Summary

Issues:	Anticipated Impact Significance
h) Expose people or structures to a significant risk of loss, injury or death involving wildland fires, including where wildlands are adjacent to urbanized areas or where residences are intermixed with wildlands?	Less than significant impact
IX. HYDROLOGY AND WATER QUALITY: Would the project:	
a) Violate any water quality standards or waste discharge requirements?	Less than significant impact
b) Substantially deplete groundwater supplies or interfere substantially with groundwater recharge such that there would be a net deficit in aquifer volume or a lowering of the local groundwater table level (e.g., the production rate of pre-existing nearby wells would drop to a level which would not support existing land uses or planned uses for which permits have been granted)?	Less than significant impact
c) Substantially alter the existing drainage pattern of the site or area, including through the alteration of the course of a stream or river, in a manner which would result in a substantial erosion or siltation on- or off-site?	Less than significant impact
d) Substantially alter the existing drainage pattern of the site or area, including through the alteration of the course of a stream or river, or substantially increase the rate or amount of surface runoff in a manner which would result in flooding on- or off-site?	Less than significant impact
e) Create or contribute runoff water which would exceed the capacity of existing or planned stormwater drainage systems or provide substantial additional sources of polluted runoff?	Less than significant impact
f) Otherwise substantially degrade water quality?	Less than significant impact
g) Place housing within a 100-year flood hazard area as mapped on a federal Flood Hazard Boundary or Flood Insurance Rate Map or other flood hazard delineation map?	No impact
h) Place within a 100-year flood hazard area structures which would impede or redirect flood flows?	Less than significant impact
i) Expose people or structures to a significant risk of loss, injury or death involving flooding, including flooding as a result of the failure of a levee or dam?	Less than significant impact

Table ES.5-1 Impact Assessment Summary

Issues:	Anticipated Impact Significance
j) Inundation by seiche, tsunami, or mudflow?	Less than significant impact
X. LAND USE AND PLANNING: Would the project:	
a) Physically divide an established community?	No impact
b) Conflict with any applicable land use plan, policy, or regulation of an agency with jurisdiction over the project (including, but not limited to the general plan, specific plan, local coastal program, or zoning ordinance) adopted for the purpose of avoiding or mitigating an environmental effect?	No impact
c) Conflict with any applicable habitat conservation plan or natural community conservation plan?	No impact
XI. MINERAL RESOURCES: Would the project:	
a) Result in the loss of availability of a known mineral resource that would be of value to the region and the residents of the state?	No impact
b) Result in the loss of availability of a locally-important mineral resource recovery site delineated on a local general plan, specific plan or other land use plan?	No impact
XII. NOISE: Would the project result in:	
a) Exposure of persons to or generation of noise levels in excess of standards established in the local general plan or noise ordinance, or applicable standards of other agencies?	Less than significant impact
b) Exposure of persons to or generation of excessive groundborne vibration or groundborne noise levels?	Less than significant impact
c) A substantial permanent increase in ambient noise levels in the project vicinity above levels existing without the project?	Less than significant impact
d) A substantial temporary or periodic increase in ambient noise levels in the project vicinity above levels existing without the project?	Less than significant impact
e) For a project located within an airport land use plan or, where such a plan has not been adopted, within two miles of a public airport or public use airport, would the project expose people residing or working in the project area to excessive noise levels?	Less than significant impact
f) For a project within the vicinity of a private airstrip, would the project expose people residing or working in the project area to excessive noise levels?	Less than significant impact

Table ES.5-1 Impact Assessment Summary

Issues:	Anticipated Impact Significance
XIII. POPULATION AND HOUSING: Would the project:	
a) Induce substantial population growth in an area, either directly (for example, by proposing new homes and businesses) or indirectly (for example, through extension of roads or other infrastructure)?	Less than significant impact
b) Displace substantial numbers of existing housing, necessitating the construction of replacement housing elsewhere?	Less than significant impact
c) Displace substantial numbers of people, necessitating the construction of replacement housing elsewhere?	Less than significant impact
XIV. PUBLIC SERVICES: Would the project:	
a) Would the project result in substantial adverse physical impacts associated with the provision of new or physically altered governmental facilities, need for new or physically altered governmental facilities, the construction of which could cause significant environmental impacts, in order to maintain acceptable service ratios, response times or other performance objectives for any of the public services: Fire protection, police protection, schools, parks, or other public facilities?	Less than significant impact
XV. RECREATION:	
a) Would the project increase the use of existing neighborhood and regional parks or other recreational facilities such that substantial physical deterioration of the facility would occur or be accelerated?	Less than significant impact
b) Does the project include recreational facilities or require the construction or expansion of recreational facilities which might have an adverse physical effect on the environment?	No impact

Table ES.5-1 Impact Assessment Summary

Issues:	Anticipated Impact Significance
XVI. TRANSPORTATION/TRAFFIC: Would the project:	
a) Conflict with an applicable plan, ordinance or policy establishing measures of effectiveness for the performance of the circulation system, taking into account all modes of transportation including mass transit and non-motorized travel and relevant components of the circulation system, including by not limited to intersections, streets, highways and freeways, pedestrian and bicycle paths, and mass transit?	Less than significant impact
b) Conflict with an applicable congestion management program, including, but not limited to level of service standards and travel demand measures, or other standards established by the county congestion management agency for designated roads or highways?	No impact
c) Result in a change in air traffic patterns, including either an increase in traffic levels or a change in location that results in substantial safety risks?	Less than significant impact
d) Substantially increase hazards due to a design feature (e.g., sharp curves or dangerous intersections) or incompatible uses (e.g. farm equipment)?	Less than significant impact
e) Result in inadequate emergency access?	Less than significant impact
f) Conflict with adopted policies, plans, or programs regarding public transit, bicycle, or pedestrian facilities, or otherwise decrease the performance or safety of such facilities?	Less than significant impact
XVII. UTILITIES AND SERVICE SYSTEMS: Would the project:	
a) Exceed wastewater treatment requirements of the applicable Regional Water Quality Control Board?	Less than significant impact
b) Require or result in the construction of new water or wastewater treatment facilities or expansion of existing facilities, the construction of which could cause significant environmental effects?	No impact
c) Require or result in the construction of new stormwater drainage facilities or expansion of existing facilities, the construction of which could cause significant environmental effects?	Less than significant impact

Table ES.5-1 Impact Assessment Summary

Issues:	Anticipated Impact Significance
d) Have sufficient water supplies available to serve the project from existing entitlements and resources, or are new or expanded entitlements needed?	Less than significant impact
e) Result in a determination by the wastewater treatment provider which serves or may serve the project that it has adequate capacity to serve the project’s projected demand in addition to the provider’s existing commitments?	Less than significant impact
f) Be served by a landfill with sufficient permitted capacity to accommodate the project’s solid waste disposal needs?	Less than significant impact
g) Comply with federal, state, and local statutes and regulations related to solid waste?	No impact

The CEQA Guidelines (Section 15126.2) requires a discussion of the overall significance of the environmental impacts of the Proposed Project. These potential significant environmental impacts are summarized in Table ES.5-2, *Potential Significant Environmental Impacts*. With the implementation of applicant proposed measures (“APMs”), the majority of the potential significant environmental impacts associated with the Proposed Project would be reduced to less than significant levels. However, impacts to aesthetics and air quality would remain significant and unavoidable. Proposed APMs are shown on Table ES.5-3.

Table ES.5-2 Potentially Significant Environmental Impacts

Resource	Description	Direct/Indirect	Short term/Long term
Aesthetics			
Visual Character and Visual Quality of the Project at Key Observation Point (“KOP”) 6 and KOP 9	Construction activities could impact the existing visual character and quality at KOP 6 and KOP 9 for viewers from the road.	Direct	Short term: Construction activities associated with Proposed Transmission Line Segments 2 and 3 would impact the existing visual character and visual quality at KOP 6 and KOP 9 for viewers from the road. The impact would be considered significant and unavoidable.
Air Quality			
Air Quality	Construction emissions of NO _x , PM ₁₀ , and PM _{2.5} would exceed the Mojave Desert Air Quality Management District’s (MDAQMD) significance thresholds.	Direct	Short term: SCE would comply with applicable regulations; APM AIR-1 and AIR-2 would reduce regional air quality impacts, The impact would remain significant and unavoidable.

Table ES.5-2 Potentially Significant Environmental Impacts

Resource	Description	Direct/Indirect	Short term/Long term
Biological Resources			
Special Status Plant Populations	Construction activities could impact special status plants known to occur or observed within the Project Area.	Direct	Short term: Impacts to special-status plants would be less than significant with implementation of APM BIO-1 through APM BIO-3.
Special Status Wildlife	Construction activities could impact special status wildlife species known to occur or observed within the Project Area.	Direct	Short term: Impacts to special-status wildlife would be less than significant with implementation of APM BIO-1 through APM BIO-11.
Nesting Birds/Raptors	Construction activities could impact suitable nesting birds/raptors habitat due to noise and vibration.	Direct	Short term: Impacts to nesting birds/raptor habitat would be less than significant with implementation of APM BIO-1 through APM BIO-4.
Burrowing Owl	Construction activities could impact suitable foraging and breeding habitat for burrowing owls.	Direct	Short term: Impacts to burrowing owl habitat would be less than significant with implementation of APM BIO-1 through APM BIO-3, and APM BIO-5.

Table ES.5-2 Potentially Significant Environmental Impacts

Resource	Description	Direct/Indirect	Short term/Long term
Desert Tortoise	Construction activities could impact desert tortoise burrows or cause direct injury due to animal's slow rate of movement.	Direct	Short term: Impacts to desert tortoise would be less than significant with implementation of APM BIO-6 through APM BIO-10.
Arroyo Toad	Construction activities could impact suitable arroyo toad habitat.	Direct and Indirect	Short term: Impacts to arroyo toad would be less than significant with implementation of APM BIO-1 through APM BIO-3.
Mohave Ground Squirrel	Construction activities could impact suitable Mohave ground squirrel habitat.	Direct	Short term: Impacts to Mohave ground squirrel would be less than significant with implementation of APM BIO-1 through APM BIO-3, and APM BIO-11.
Coast Horned Lizard and Mojave fringe-toed lizard	Construction activities could impact suitable Coast Horned Lizard and Mojave fringe-toed lizard habitat.	Direct	Short term: Impacts to Coast Horned Lizard and Mojave fringe-toed lizard would be less than significant with implementation of APM BIO-1 through APM BIO-3.

Table ES.5-2 Potentially Significant Environmental Impacts

Resource	Description	Direct/Indirect	Short term/Long term
Cultural Resources			
Cultural Resources	Construction activities could impact significant cultural resources (those found eligible for listing in the NRHP or CRHR).	Direct	Short term: Impacts to cultural resources would be less than significant with implementation of APM CUL-1 and CUL-2.
Paleontological Resources	Construction activities could impact scientifically valuable fossils and other paleontologically important resources.	Direct	Short term: Impacts to paleontological resources would be less than significant with implementation of APM PAL-1.

Table ES.5-3 Applicant Proposed Measures

APM ID	APM Language
AIR-1 (Air Quality)	<p>SCE would prepare an Exhaust Emissions Control Plan to establish a target goal of a project wide fleet average reduction of 20 percent NO_x compared to the estimated unmitigated emissions as presented in the PEA for applicable diesel-fueled off-road construction equipment of more than 50 horsepower.</p> <p>Acceptable options for reducing emissions could include, but are not limited to: the use of newer model engines meeting USEPA Tier 3 standards if available (or better), low emissions diesel products, alternative fuels, engine retrofit technology, after-treatment products, and/or other similar available options.</p>
AIR-2 (Air Quality)	<p>SCE would prepare a Fugitive Dust Control Plan to reduce fugitive dust emissions (fugitive PM₁₀ and PM_{2.5}). Acceptable control measures for reducing emissions described within the Fugitive Dust Control Plan may include, but are not limited to: limit traffic speeds on unpaved roads to 15 mph; apply water as needed to comply with MDAQMD Rule 403 requirements or soil stabilizers (e.g., gravel for substation area) on active unpaved access roads, the substation area, and staging areas if construction activity causes persistent visible emissions of fugitive dust beyond the work area; apply soil stabilizers</p>

Table ES.5-3 Applicant Proposed Measures

APM ID	APM Language
	<p>to inactive construction areas as described in the SWPPP; where applicable, install gravel, shaker plates, or other BMPs to minimize transport of dirt onto public paved surfaces.</p> <p>The Fugitive Dust Control Plan would describe how the measures would be implemented and monitored during Project construction. Furthermore, as construction details become available, the Fugitive Dust Control Plan would include site-specific mitigation measures for Project areas that could be more likely to generate dust near sensitive receptors.</p>
BIO-1 (Biological Resources)	<p>Prior to starting construction, a draft Project Revegetation Plan would be prepared to restore areas where native vegetation is disturbed during construction. Prior to completing construction, the Project Revegetation Plan would be finalized to address site-specific conditions, restoration methodology and technique, implementation schedule, monitoring and maintenance, and success criteria.</p>
BIO-2 (Biological Resources)	<p>Other than as described in species-specific APMs, biologists would monitor construction activities in wildlife habitat areas where special-status species or unique resources (defined by regulations and local conservation plans) are known to occur.</p>
BIO-3 (Biological Resources)	<p>All project construction-related workers (SCE, SCE contractors and subcontractors) would be required to attend a Worker Environmental Awareness Program (“WEAP”). Any temporary Project site visitors would be required to attend a WEAP or be accompanied by personnel who have completed the WEAP training. The WEAP would address resource issues including desert tortoise, Mohave ground squirrel, burrowing owl, and other special-status species with a potential to occur within the Project area.</p>
BIO-4 (Biological Resources)	<p>SCE would prepare and implement a Nesting Bird Management Plan to address nesting birds undertaken in collaboration with the CDFW, USFWS, and BLM. The Plan would be an adaptive management plan that may be updated as needed improvements are identified or conditions in the field change. The Plan would include the following: nest management and avoidance, field approach (survey methodology, reporting, and monitoring), and the Project avian biologist qualifications. The avian biologist would be responsible for oversight of the avian protection activities including the biological monitors.</p> <p>In order to minimize impacts to nesting birds (common or special status), ongoing pre-construction surveys and daily sweep surveys of active construction areas by a qualified biologist would focus on breeding behavior and a search for active nests, as defined by CDFW</p>

Table ES.5-3 Applicant Proposed Measures

APM ID	APM Language
	<p>and USFWS, within 500 feet of the Proposed Project.</p> <p>At a minimum, the “Nesting Bird Management Plan” (Plan) would include the following:</p> <ul style="list-style-type: none"> (a) For vegetation clearing that needs to occur during the typical nesting bird season (February 1 to August 31; as early as January 1 for raptors) qualified biologists would conduct nesting bird surveys. If an active nest were located, the appropriate avoidance and minimization measures from the management plan would be implemented. If active nest removal is required, SCE would consult with CDFW, USFWS, and BLM; (b) During the typical nesting bird season, SCE would conduct preconstruction clearance surveys no more than 14 days prior to construction and in accordance with the adaptive management plan, to determine the location of nesting birds and territories. Preconstruction sweeps would be conducted within 3 days before construction begins at a given project location; (c) Nest monitoring would be conducted by Project biological monitors with knowledge of bird behavior under the direction of a BLM and/or CDFW approved avian biologist; (d) Nesting deterrents (e.g. mooring balls, netting, etc.) would be used for inactive nests at the direction of the Project avian biologist; (e) A Project avian biologist would determine the appropriate buffer area around active nest(s) and provisions for buffer exclusion areas (e.g. highways, public access roads, etc.) along with construction activity limits. Unless restricted by the Project avian biologist, construction vehicles would be allowed to move through a buffer area with no stopping or idling. The Project avian biologist would determine, evaluate, and modify buffers as appropriate based on species tolerance and behavior, the potential disruptiveness of construction activities, and surrounding conditions; and, (f) The Project biological monitor would ensure implementation of appropriate buffer areas around active nest(s) during project activities. The active nest site and applicable buffer would

Table ES.5-3 Applicant Proposed Measures

APM ID	APM Language
	remain in place until nesting activity concluded. Nesting bird status reports would be submitted according to the management plan.
BIO-5 (Biological Resources)	<p>A pre-construction, focused burrowing owl survey would be conducted no more than 30 days prior to commencement of ground-disturbing activities within suitable habitat to determine if any occupied burrows are present. If occupied burrows are found, adequate buffers shall be established around burrows. Adequate buffers would be determined by a Project Avian biologist based upon field conditions and resource agency guidelines for wintering burrows and breeding season burrows.</p> <p>SCE would develop a Burrowing Owl Management Plan for the Project. The Plan would include information related to construction monitoring, avoidance and minimization measures, relocation strategy, exclusionary devices, and reporting requirements.</p>
BIO-6 (Biological Resources)	Project personnel in non-desert tortoise exclusion fenced areas would be required to inspect for desert tortoises under vehicles prior to moving the vehicle. If a desert tortoise is found beneath a vehicle, it would not be moved until the desert tortoise had left of its own accord. If a vehicle must be moved in the event of an emergency, placing a tortoise in harm's way, a USFWS Authorized Biologist may move the tortoise to an appropriate location.
BIO-7 (Biological Resources)	All burrows suitable for desert tortoise found during clearance surveys within project ground disturbance areas within desert tortoise habitat, whether occupied or vacant, that would be subject to construction-related disturbance, would be excavated by a Biologist authorized by USFWS, and collapsed or blocked to prevent desert tortoise reentry.
BIO-8 (Biological Resources)	All desert tortoise handling, excavations including nests, would be conducted by a Biologist authorized by USFWS, in accordance with USFWS approved protocol in compliance with appropriate regulatory permits.
BIO-9 (Biological Resources)	Desert tortoise exclusion fencing shall be installed around material yards within suitable, occupied habitat according to USFWS recommended specifications (USFWS, 2005) and in compliance with appropriate regulatory permits.
BIO-10 (Biological Resources)	Trash and food items would be contained in closed containers during construction to discourage attracting opportunistic predators such as ravens.

Table ES.5-3 Applicant Proposed Measures

APM ID	APM Language
<p>BIO-11 (Biological Resources)</p>	<p>Before initiating ground-disturbing activities in potential Mohave ground squirrel habitat within its historic range (portions of Transmission Line Segments 5, 5a, 5b, 6, and 7, portions of the Apple Valley to Desert View Telecommunication Route, and the Proposed and Alternative Desert View Substation sites) , a Project biologist knowledgeable and experienced in the biology and natural history of Mohave ground squirrel would be designated to monitor construction activities to help avoid the take of individual animals and to minimize habitat disturbance. The CDFW would be notified in writing prior to commencement of ground-disturbing activities of the biologist’s name, business address, and telephone number. The biologist would be subject to the approval by the CDFW and would be required to follow all applicable protocols regarding Mohave ground squirrel.</p>
<p>CUL-1 (Cultural Resources)</p>	<p>Potential Project effects to Historical Resources/Historic Properties may be mitigated or reduced to a less than significant level by utilizing one, or a combination of standard-practice mitigation scenarios including, but not limited to:</p> <p style="padding-left: 40px;">Prehistoric Resources:</p> <ul style="list-style-type: none"> a. avoid (avoidance by design, preserve in place, capping); b. minimize (reduction of Area of Direct Impact/Effect); c. mitigate (data recovery). <p style="padding-left: 40px;">Historic Resources:</p> <ul style="list-style-type: none"> a. avoid (avoidance by design, preserve in place, capping); b. minimize (reduction of Area of Direct Impact/Effect); c. mitigate (historic context statement, data recovery). <p style="padding-left: 40px;">Historic Architecture/Utility Infrastructure:</p> <ul style="list-style-type: none"> a. avoid (avoidance by design, preserve in place); b. minimize (reduction of Area of Direct Impact/Effect); c. mitigate (historic context statement, Historic American Engineering Record, Historic American Building Survey, advanced DPR recordation). <p style="padding-left: 40px;">Traditional Cultural Property:</p> <ul style="list-style-type: none"> a. consult with Native American stakeholders on perceived impacts/effects and negotiate mutually agreeable treatment.

Table ES.5-3 Applicant Proposed Measures

APM ID	APM Language
CUL-2 (Cultural Resources)	<p>During construction, it is possible that previously unknown archaeological or other cultural resources or human remains could be discovered. Prior to construction, SCE would prepare a Construction Monitoring and Unanticipated Cultural Resources Discovery Plan or a similar document to be implemented if an unanticipated discovery is made. At a minimum the Plan would detail the following elements:</p> <ul style="list-style-type: none"> ▪ Worker and supervisor training in the identification of cultural remains that could be found in the Proposed Project area, and the implications of disturbance and collection of cultural resources per applicable federal and state laws ▪ Worker and supervisor response procedures to be followed in the event of an unanticipated discovery, including appropriate points of contact for professionals qualified to make decisions about the potential significance of any find ▪ Identification of persons authorized to stop or redirect work that could affect the discovery, and their on-call contact information ▪ Procedures for monitoring construction activities in archaeologically sensitive areas ▪ A minimum radius around any discovery within which work would be halted until the significance of the resource has been evaluated and mitigation implemented as appropriate ▪ Procedures for identifying and evaluating the historical significance of a discovery ▪ Procedures for consulting Native Americans when identifying and evaluating the significance of discoveries involving Native American cultural materials ▪ Procedures to be followed for treatment of discovered human remains per current state law and protocol developed in consultation with Native Americans
PAL-1 (Paleontological Resources)	<p>Potential effects of the Proposed Project to sensitive paleontological resources may be mitigated or reduced to a less than significant level by implementing a Paleontological Resource Mitigation and Monitoring Plan which would identify monitoring and treatment requirements for sensitive paleontological resources of significance.</p>

1.0 PURPOSE AND NEED

As part of the Renewable Energy Transmission Initiative (“RETI”)¹, the Barstow, Inyokern, Kramer, Lucerne Valley, and Owens Valley areas, significant portions of which are under Bureau of Land Management (“BLM”) jurisdiction, have been identified to be rich solar and wind resource areas in the State of California. In addition, the Desert Renewable Energy Conservation Plan (“DRECP”)² has also identified large amounts of renewable generation potential in the Mojave Desert area³. Existing generation in these areas, together with most of the identified future generation potential in the RETI competitive renewable energy zones and a significant portion of the generation potential in the DRECP development focus areas, would ultimately flow into Kramer Substation in Kramer Junction, CA and would then need to be exported south to Lugo Substation located in Hesperia, CA to serve customer demand in the Los Angeles basin.

One of the major existing bottlenecks that would preclude the transfer of energy produced from renewable resources accumulating at Kramer Substation to Lugo Substation, is referred to as the Kramer-Lugo transmission corridor. ~~This corridor consists of two 220 kilovolt (“kV”) and two 115 kV transmission lines with limited transfer capability due to existing facility limitations. Specifically, the Kramer-Lugo No.1 and No.2 220 kV transmission lines are currently at thermal capacity under peak system conditions, cannot be upgraded, and have become a transmission bottleneck.~~ A second existing bottleneck that would also preclude the transfer of energy from future renewable resources developing in the Lucerne Valley area, near SCE’s future Jasper Substation, is referred to as the Lugo-Pisgah transmission corridor. Figure 1.0-A depicts a block diagram of the major transmission facilities associated with these two corridors and Table 1.0-A identifies the existing generation in the Kramer System.

¹ <http://www.energy.ca.gov/reti/>

² <http://www.drecp.org/>

³ http://www.drecp.org/meetings/2012-04-25-26_meeting/background/Transmission_Planning/Transmission_Technical_Group_report_final_4_16_12.pdf

Table 1.0-A Existing Generation in the Kramer System

#	Existing Facility Name	Fuel Type	MW Nameplate Capacity ¹	Net MW to Grid ²	Online Date ³	Expected Retirement Date ⁴	RETI CREZ	DRECP DFA
1	BSPHYD 26	Hydro	14.9	13.4	01/01/1908 – 01/01/1943	Undefined	N/A	N/A
2	BSPHYD 34	Hydro	16.1	15.8	01/01/1905 – 01/01/1913	Undefined	N/A	N/A
3	Poole	Hydro	11.3	10.9	01/01/1924	Undefined	N/A	N/A
4	Lundy	Hydro	3.0	3.0	01/01/1911 – 01/01/1912	Undefined	N/A	N/A
5	Rush Creek	Hydro	13.0	11.9	01/01/1916 – 01/01/1917	Undefined	N/A	N/A
6	Casa Diablo	Geothermal	39.0	30.0	12/07/1990	12/06/2020-04/01/2033	N/A	N/A
7	BLM (E7G, E8G &)	Geothermal	100.7	100.7	12/05/1988	03/12/2019	Inyokern	West Mojave & Eastern Slopes

¹ The nameplate capacity values were obtained from a variety of sources including but not limited to generation interconnection agreements, power purchase agreements, distribution service agreements, generation interconnection applications, the Qualifying Facilities Semi-Annual Status Report to the CPUC, and the CAISO's Generating Capability List.

² Net MW to Grid are the actual MW values that get injected into the electric grid due to factors including but limited to on-site auxiliary loads, contractual limitations, and facility constraints. The Net MW to Grid values are obtained from <http://www.aiso.com/Documents/AppendixADraft2013-2014TransmissionPlan.pdf> (pp. A-15-A-16). The MW values to from the Draft 2013-2014 plan are used since the Board Approved 2013-2014 Plan's North of Lugo generation values have numerous typos that have not been corrected.

³ Online date ranges indicate the generation facility has multiple generators which came on-line during different years. The earliest and latest dates for the range are provided.

⁴ Expected retirement date ranges indicate the generation facility has multiple generators which will retire during different years. The earliest and latest dates for the range are provided. The term "undefined" indicates there is no contractual obligation for the generation facility to retire. It should also be noted that any generator could choose to extend its retirement date by amending or entering into a new contract.

1.0 PURPOSE AND NEED

<u>#</u>	<u>Existing Facility Name</u>	<u>Fuel Type</u>	<u>MW Nameplate Capacity¹</u>	<u>Net MW to Grid²</u>	<u>Online Date³</u>	<u>Expected Retirement Date⁴</u>	<u>RETI CREZ</u>	<u>DRECP DFA</u>
	W9G)							
8	Borax I	Natural Gas	48.2	48.0	06/01/1984	06/01/2032	Kramer	West Mojave & Eastern Slopes
9	Calgen (1G, 2G, & 3G)	Geothermal	99.9	92.2	07/13/1987	01/31/2030	Inyokern	West Mojave & Eastern Slopes
10	Kerrgen	Natural Gas	25.6	25.6	6/25/1979	03/11/2017	Inyokern	West Mojave & Eastern Slopes
11	Kerr McGee	Natural Gas	62.5	55.0	04/01/1983	07/13/2033	Inyokern	West Mojave & Eastern Slopes
12	Luz (8 & 9)	Solar Thermal	184.0	160.0	12/29/1989 – 10/11/1990	04/17/2021 – 05/29/2020	Kramer	West Mojave & Eastern Slopes
13	McGen	Coal	120	118.3	09/20/1990	03/15/2038	Inyokern	West Mojave & Eastern Slopes
14	MoGen G	Natural Gas	62.5	62.5	06/13/1990	05/09/2017	Kramer	West Mojave & Eastern Slopes
15	Navy II (4G, 5G, & 6G)	Geothermal	99.0	99.0	12/23/1989	01/31/2030	Inyokern	West Mojave & Eastern Slopes
16	Oxbow G1	Geothermal	67.2	56.0	06/14/1988	07/04/2018	N/A	N/A
17	Segs (1 & 2)	Solar Thermal	53.4	38.4	11/02/1984	12/31/2015	Barstow	Mojave & Silurian Valley
18	Sungen (3G, 4G, 5G, 6G, & 7G)	Solar Thermal	175.0	160.0	12/18/1986 – 12/29/1988	01/25/2017 – 03/01/2019	Kramer	West Mojave & Eastern Slopes
19	Alta 1G	Natural Gas	65.0	65.0	01/01/1961	Undefined	Barstow	Mojave & Silurian Valley
20	Alta 2G	Natural Gas	81.5	81.0	01/01/1964	Undefined	Barstow	Mojave & Silurian Valley
21	Alta 3ST	Natural Gas	110.0	108.0	01/01/1978	Undefined	Barstow	Mojave & Silurian Valley

<u>#</u>	<u>Existing Facility Name</u>	<u>Fuel Type</u>	<u>MW Nameplate Capacity¹</u>	<u>Net MW to Grid²</u>	<u>Online Date³</u>	<u>Expected Retirement Date⁴</u>	<u>RETI CREZ</u>	<u>DRECP DFA</u>
22	Alta 4ST	Natural Gas	110.0	108.0	01/01/1978	Undefined	Barstow	Mojave & Silurian Valley
23	Alta 31GT	Natural Gas	73.0	66.5	01/01/1978	Undefined	Barstow	Mojave & Silurian Valley
24	Alta 32GT	Natural Gas	73.0	66.5	01/01/1978	Undefined	Barstow	Mojave & Silurian Valley
25	Alta 41GT	Natural Gas	73.0	66.5	01/01/1978	Undefined	Barstow	Mojave & Silurian Valley
26	Alta 42GT	Natural Gas	73.0	66.5	01/01/1978	Undefined	Barstow	Mojave & Silurian Valley
<u>Total =</u>			<u>1853.8</u>	<u>1728.7</u>				

This page is intentionally blank

Per Figure 1.0-A, up to 1,729 megawatts¹ (“MW”) of power is produced in the Kramer System and up to 464 MW² is consumed by local electrical demand, which leaves an excess of approximately 1,265 MW of power during peak load demand periods that needs to be exported from Kramer Substation to Lugo Substation. The existing two 220 kilovolt (“kV”) and two 115 kV transmission lines that export this power have a combined approximate capacity of 1,340 MW.³ By subtracting the excess generation amount (1,265 MW) from the Kramer-Lugo transmission corridor capacity (1,340 MW), the remaining Kramer-Lugo transmission capacity is approximately 75 MW for the year 2014.

On August 22, 2006, Mojave Solar LLC applied to the California Independent System Operator (“CAISO”) for interconnection of the proposed Mojave Solar Project pursuant to Section 3.5 of the Larger Generator Interconnection Procedures issued under the CAISO Tariff. The Queue #125 Mojave Solar Project is a solar thermal generating facility, currently being constructed in Hinkely California, which will interconnect into SCE’s Sandlot⁴ Substation and ultimately inject 275 MW⁵ into Kramer Substation and exceed the remaining Kramer-Lugo transmission corridor capacity. The CAISO and SCE performed multiple generation interconnection studies⁶ and determined a new Coolwater-Lugo 220 kV line is needed to provide the additional transmission capacity necessary for the Mojave Solar Project. The CAISO, SCE, and Mojave Solar LLC entered into a Generation Interconnection Agreement (“GIA”), which requires the construction of the Coolwater-Lugo 220 kV line, and this GIA⁷ was filed at FERC with an effective date of January 30, 2011.⁸ In addition, on December 09, 2010 SCE filed a Petition for Declaratory Order for Incentives Rate Treatment on the Coolwater-Lugo Transmission Project (“Coolwater-Lugo”) to the Federal Energy Regulatory Commission (“FERC”) and the FERC granted Abandoned Plant Recovery and Construction Work in Progress

¹ <http://www.caiso.com/Documents/AppendixADraft2013-2014TransmissionPlan.pdf>

² <http://www.caiso.com/Documents/BoardApproved2012-2013TransmissionPlan.pdf> (p. 104)

³ The approximate transmission capacity from Kramer to Lugo was obtained by taking a PSLF WECC Base Case for the year 2014 and increasing the generation amount into Kramer Substation until the lines between Kramer and Lugo overloaded.

⁴ www.sce.com/sandlot

⁵ The Abengoa Mojave Solar Project consists of a 250 MW interconnection request (Q125) and an incremental 25 MW request (Q909), for a total of 275 MW.

⁶ See Table 1.0-M on pp. 1-20 – 1-22

⁷ <http://elibrary.ferc.gov/idmws/common/opennat.asp?fileID=12510913>,
<http://elibrary.ferc.gov/idmws/common/opennat.asp?fileID=13376929>

⁸ FERC Docket Nos. ER11-2204-000 and ER11-2368-000.

(“CWIP”) incentives on March 11, 2011 to most of the major elements of Coolwater-Lugo.¹

As of April 17, 2014, there are currently 11 generation projects in the CAISO and SCE generation queues requesting interconnection into the Kramer System and two projects requesting interconnection into SCE’s future Jasper Substation as shown in Tables 1.0-B to 1.0-D.

¹ <http://elibrary.ferc.gov/idmws/common/opennat.asp?fileID=12585841>

Table 1.0-B Generation in CAISO Queue Requesting Interconnection in the Kramer System

#	CAISO Queue #	Fuel Type	MW Nameplate Capacity	Net MW to Grid	Online Date¹ / Retirement Date	Electrical Studies	Deliverability Allocation	Permitting Status	GIA / PPA	RETI CREZ	DRECP DFA
1	125	Solar Thermal	366.0	250.0	07/07/2014 / 07/07/2044	Completed Serial Study	100%	Permits Complete	Yes / Yes	Barstow	West Mojave & Eastern Slopes
2	142	Solar Thermal	92.0	80.0	12/01/2016 / 12/01/2036	Completed Serial Study	100%	Unknown	Yes / No	Barstow	West Mojave & Eastern Slopes
3	909 ²	Solar Thermal	366.0	25.0	07/07/2014 / 07/07/2044	Complete Phase 2 Cluster Study	100%	Permits Complete	Yes / Yes	Barstow	West Mojave & Eastern Slopes

Total = 458.0³ 355.0

¹ The online date is the generation project's requested date as noted in the CAISO or SCE generation queues. The Retirement date is 20 years added to the online date. Many projects with online dates before the operational date of Coolwater-Lugo will need to wait for the Coolwater-Lugo to be in-service before they can generate as indicated in Table 1.0-N.

² Q909 is a 25 MW increase to Q125.

³ Since Q125 and Q909 represent the same generation units, the nameplate capacity of 366.0 MW is only counted once.

Table 1.0-C Generation in SCE Queue Requesting Interconnection in Kramer System

#	SCE Queue #	Fuel Type	MW Nameplate Capacity	Net MW to Grid ¹	Online Date ² / Retirement Date	Electrical Studies	Deliverability Allocation	Permitting Status	GIA / PPA	RETI CREZ	DRECP DFA
1	WDT315	Geothermal	49.9	40.7	12/31/2015 / 12/31/2045	Completed Phase 2 Cluster Study	100%	BLM & US Forest Service approved EIS/EIR on 08/13/2013	No / No	N/A	N/A
2	5707	Photovoltaic	1.1	0.0	12/09/2011 / 12/09/2031	Completed Rule 21 Interconnection Study	0%	Permitting Complete	Yes / N/A	Kramer	West Mojave & Eastern Slopes
3	5708	Photovoltaic	0.99	0.0	12/09/2011 / 12/09/2031	Completed Rule 21 Interconnection Study	0%	Permitting Complete	Yes / N/A	Kramer	West Mojave & Eastern Slopes
4	5709	Photovoltaic	1.1	0.0	12/09/2011 / 12/09/2031	Completed Rule 21 Interconnection Study	0%	Permitting Complete	Yes / N/A	Kramer	West Mojave & Eastern Slopes
5	5729	Photovoltaic	11.1	0.0	07/06/2012 / Undefined	Completed Rule 21 Interconnection Study	0%	Permitting Complete	Yes / N/A	Kramer	West Mojave & Eastern Slopes
6	5879	Photovoltaic	0.3	0.0	09/30/2013 / 09/30/2033	Completed Rule 21 Interconnection	0%	Permitting Complete	Yes / N/A	Barstow	West Mojave & Eastern Slopes

¹ Net MW to Grid with “0” values indicate the projects will not export and will serve their own site load. However, projects installing generation to serve their own load effectively reduce the overall Kramer area load, which increases MW flows on the Kramer-Lugo Transmission Corridor and aggravates the existing transmission capacity bottleneck between Kramer and Lugo Substations.

² The online date is the generation project’s requested date as noted in the CAISO or SCE generation queues. The Retirement date is 20 years added to the online date. Many projects with online dates before the operational date of Coolwater-Lugo will need to wait for the Coolwater-Lugo to be in-service before they can generate as indicated in Table 1.0-N.

#	SCE Queue #	Fuel Type	MW Nameplate Capacity	Net MW to Grid ¹	Online Date ² / Retirement Date	Electrical Studies	Deliverability Allocation	Permitting Status	GIA / PPA	RETI CREZ	DRECP DFA
						Study					Slopes
7	WDT930	Photovoltaic	20.0	20.0	10/31/2015 / 10/31/2035	Completed Phase 2 Cluster Study	100%	Unknown	No/No	Barstow	West Mojave & Eastern Slopes
8	WDT931	Photovoltaic	20.0	20.0	10/31/2015 / 10/31/2035	Completed Phase 2 Cluster Study	100%	Unknown	No/No	Barstow	West Mojave & Eastern Slopes

Total = 104.5 80.7

Table 1.0-D Generation in CAISO Queue Requesting Interconnection at Jasper Substation

<u>#</u>	<u>CAISO Queue #</u>	<u>Fuel Type</u>	<u>MW Nameplate Capacity</u>	<u>Net MW to Grid</u>	<u>Online Date¹ / Retirement Date</u>	<u>Electrical Studies</u>	<u>Deliverability Allocation</u>	<u>Permitting Status</u>	<u>GIA/ PPA</u>	<u>RETI CREZ</u>	<u>DRECP DFA</u>
<u>1</u>	<u>552</u>	<u>Photovoltaic</u>	<u>60.0</u>	<u>60.0</u>	<u>04/30/2013 / 04/30/2033</u>	<u>Completed Phase 2 Cluster Study</u>	<u>100%</u>	<u>EIR submittal expected by 12/31/2014</u>	<u>No</u>	<u>San Bernardino-Lucerne</u>	<u>Pinto Lucerne Valley & Eastern Slopes</u>
<u>2</u>	<u>897</u>	<u>Photovoltaic</u>	<u>202.6</u>	<u>200.0</u>	<u>11/01/2015 / 11/01/2045</u>	<u>Completed Phase 2 Cluster Study</u>	<u>100%</u>	<u>Unknown</u>	<u>No</u>	<u>San Bernardino-Lucerne</u>	<u>Pinto Lucerne Valley & Eastern Slopes</u>

Total = 262.6 260.0

¹ The online date is the generation project's requested date as noted in the CAISO or SCE generation queues. The Retirement date is 20 years added to the online date. Many projects with online dates before the operational date of Coolwater-Lugo will need to wait for the Coolwater-Lugo to be in-service before they can generate as indicated in Table 1.0-N

These thirteen projects total 695.7 MW and many are located in RETI Competitive Renewable Energy Zones (CREZs) or DRECP Development Focus Areas (DFAs) as indicated in the tables. Furthermore, as shown in Tables 1.0-E to 1.0-I, the RETI Phase 2B¹ report, the DRECP² report, and RPS Portfolios for 2014 LTPP and 2014-15 TPP³ all anticipate large amounts of MW development in the Kramer System and the Lucerne Valley Area. In addition, 144 projects totaling 9,229 MW have withdrawn out of the Kramer System and 14 projects totaling 3,213 MW have withdrawn from the Lucerne Valley area, as depicted in Tables 1.0-J, 1.0-K, and 1.0-L. The existing queued generation, the expected RETI and DRECP generation, and the large amounts of withdrawn generation all indicate these areas are rich renewable resource areas.

Table 1.0-E RETI CREZ MW Located in the Kramer System

#	CREZ	Biomass MW	Geothermal MW	Solar Thermal MW	Wind MW	Total MW
1	Barstow	0	0	1,400	936	2,336
2	Inyokern	0	0	2,145	287	2,432
3	Kramer	0	24	6,185	203	6,412
4	Owens Valley	0	0	5,000	0	5,000
Grand MW						
Total =						16,180

Table 1.0-F RETI CREZ MW Located in the Lucerne Valley Area

#	CREZ	Biomass MW	Geothermal MW	Solar Thermal MW	Wind MW	Total MW
1	Portions of San Bernardino-Lucerne	91	0	1,540	599	2,230

¹ <http://www.energy.ca.gov/2010publications/RETI-1000-2010-002/RETI-1000-2010-002-F.PDF> (p. 1-3)

² http://www.drecp.org/documents/docs/alternatives_eval/Executive_Summary.pdf (p. ES-10)

³ http://www.cpuc.ca.gov/NR/rdonlyres/589B90C6-DC13-47E0-89D5-6448BAE8A725/0/AmendedAttachment022714_ACR.pdf (p. 38)

1.0 PURPOSE AND NEED

Table 1.0-G DRECP DFA MW Located in Kramer System

#	Ecoregion	<u>Alternative 1 - Disturbed Lands/Low Resource Conflict</u>	<u>Alternative 2 - Geographically Balanced/Transmission Aligned B</u>	<u>Alternative 3 - West Mojave Emphasis Alternative</u>	<u>Alternative 4 - Geographically Balanced / Transmission Aligned A</u>	<u>Alternative 5 - Increased Geographic / Technology Flexibility</u>	<u>Alternative 6 - Geographically Balanced Alt C with Variance Lands</u>
		MW	MW	MW	MW	MW	MW
1	Owens River Valley	237	160	70	191	196	175
2	Portions of the West Mojave and Eastern Slopes	5,407	6,801	11,893	6,515	6,628	7,033
3	Portions of the Mojave and Silurian Valley	866	666	837	669	770	544

Total = **6,510** **7,627** **12,800** **7,375** **7,594** **7,752**

Table 1.0-H DRECP DFA MW Located in Lucerne Valley Area

#	Ecoregion	<u>Alternative 1 - Disturbed Lands/Low Resource Conflict</u>	<u>Alternative 2 - Geographically Balanced/Transmission Aligned B</u>	<u>Alternative 3 - West Mojave Emphasis Alternative</u>	<u>Alternative 4 - Geographically Balanced / Transmission Aligned A</u>	<u>Alternative 5 - Increased Geographic / Technology Flexibility</u>	<u>Alternative 6 - Geographically Balanced Alt C with Variance Lands</u>
		MW	MW	MW	MW	MW	MW
1	Portions of Pinto Lucerne Valley and Eastern Slopes	1,518	1,426	2,595	1,686	1,597	1,300

Table 1.0-I RPS Portfolios for 2014 LTPP and 2014-15 TPP

<u>CREZ</u>	<u>33% 2024 Mid AAEE</u>	<u>33% 2024 LowMid AAEE</u>	<u>33% High Load Mid AAEE</u>	<u>High DG 33% 2024 Mid AAEE + DSM</u>	<u>High DG 40% 2024 HighMid AAEE + Higher DSM</u>	<u>High DG 40% 2024 Mid AAEE</u>	<u>33% 2024 Mid AAEE (sensitivity)</u>
Kramer	642	642	642	62	642	642	642
San Bernardino- Lucerne	87	87	147	42	87	147	42
<u>MW Totals =</u>	<u>729</u>	<u>729</u>	<u>789</u>	<u>104</u>	<u>729</u>	<u>789</u>	<u>684</u>

Table 1.0-J CAISO Queued Withdrawn Projects in Kramer System

<u>#</u>	<u>CAISO Queue #</u>	<u>Fuel Type</u>	<u>Net MW to Grid</u>
<u>1</u>	<u>11</u>	<u>Wind</u>	<u>63.0</u>
<u>2</u>	<u>58</u>	<u>Geothermal</u>	<u>62.0</u>
<u>3</u>	<u>140</u>	<u>Geothermal</u>	<u>75.0</u>
<u>4</u>	<u>143</u>	<u>Solar</u>	<u>80.0</u>
<u>5</u>	<u>144</u>	<u>Solar</u>	<u>320.0</u>
<u>6</u>	<u>148</u>	<u>Geothermal</u>	<u>90.0</u>
<u>7</u>	<u>160</u>	<u>Solar</u>	<u>220.0</u>
<u>8</u>	<u>185</u>	<u>Geothermal</u>	<u>150.0</u>
<u>9</u>	<u>202</u>	<u>Wind</u>	<u>198.7</u>
<u>10</u>	<u>203</u>	<u>Wind</u>	<u>198.7</u>
<u>11</u>	<u>204</u>	<u>Wind</u>	<u>149.4</u>
<u>12</u>	<u>213</u>	<u>Wind</u>	<u>180.0</u>
<u>13</u>	<u>214</u>	<u>Wind</u>	<u>49.3</u>
<u>14</u>	<u>220</u>	<u>Solar</u>	<u>450.0</u>
<u>15</u>	<u>221</u>	<u>Solar</u>	<u>450.0</u>
<u>16</u>	<u>223</u>	<u>Wind</u>	<u>170.0</u>
<u>17</u>	<u>244</u>	<u>Wind</u>	<u>120.0</u>
<u>18</u>	<u>246</u>	<u>Wind</u>	<u>120.0</u>
<u>19</u>	<u>255</u>	<u>Solar</u>	<u>250.0</u>
<u>20</u>	<u>277</u>	<u>Wind</u>	<u>75.0</u>
<u>21</u>	<u>292</u>	<u>Solar</u>	<u>250.0</u>
<u>22</u>	<u>324</u>	<u>Solar</u>	<u>250.0</u>

1.0 PURPOSE AND NEED

<u>#</u>	<u>CAISO Queue #</u>	<u>Fuel Type</u>	<u>Net MW to Grid</u>
<u>23</u>	<u>325</u>	<u>Solar</u>	<u>100.0</u>
<u>24</u>	<u>326</u>	<u>Solar</u>	<u>100.0</u>
<u>25</u>	<u>327</u>	<u>Solar</u>	<u>100.0</u>
<u>26</u>	<u>328</u>	<u>Solar</u>	<u>100.0</u>
<u>27</u>	<u>333</u>	<u>Solar</u>	<u>33.0</u>
<u>28</u>	<u>350</u>	<u>Solar</u>	<u>80.0</u>
<u>29</u>	<u>359</u>	<u>Solar</u>	<u>350.0</u>
<u>30</u>	<u>391</u>	<u>Geothermal</u>	<u>15.0</u>
<u>31</u>	<u>392</u>	<u>Geothermal</u>	<u>15.0</u>
<u>32</u>	<u>393</u>	<u>Geothermal</u>	<u>15.0</u>
<u>33</u>	<u>394</u>	<u>Geothermal</u>	<u>60.7</u>
<u>34</u>	<u>395</u>	<u>Geothermal</u>	<u>52.5</u>
<u>35</u>	<u>396</u>	<u>Geothermal</u>	<u>60.7</u>
<u>36</u>	<u>397</u>	<u>Geothermal</u>	<u>52.5</u>
<u>37</u>	<u>398</u>	<u>Geothermal</u>	<u>60.7</u>
<u>38</u>	<u>399</u>	<u>Geothermal</u>	<u>60.7</u>
<u>39</u>	<u>430</u>	<u>Solar</u>	<u>250.0</u>
<u>40</u>	<u>460</u>	<u>Solar</u>	<u>40.0</u>
<u>41</u>	<u>461</u>	<u>Solar</u>	<u>40.0</u>
<u>42</u>	<u>466</u>	<u>Solar</u>	<u>100.0</u>
<u>43</u>	<u>474</u>	<u>Solar</u>	<u>19.9</u>
<u>44</u>	<u>491</u>	<u>Solar</u>	<u>230.0</u>
<u>45</u>	<u>515</u>	<u>Solar</u>	<u>20.0</u>
<u>46</u>	<u>527</u>	<u>Solar</u>	<u>20.0</u>
<u>47</u>	<u>617C</u>	<u>Solar</u>	<u>20.0</u>
<u>48</u>	<u>643AD</u>	<u>Geothermal</u>	<u>95.0</u>
<u>49</u>	<u>643AG</u>	<u>Solar</u>	<u>50.0</u>
<u>50</u>	<u>643AK</u>	<u>Geothermal</u>	<u>5.6</u>
<u>51</u>	<u>643AR</u>	<u>Geothermal</u>	<u>364.2</u>
<u>52</u>	<u>692</u>	<u>Geothermal</u>	<u>27.0</u>
<u>53</u>	<u>695</u>	<u>Geothermal</u>	<u>38.0</u>
<u>54</u>	<u>698</u>	<u>Geothermal</u>	<u>38.0</u>
<u>55</u>	<u>774</u>	<u>Geothermal</u>	<u>38.0</u>
<u>56</u>	<u>783</u>	<u>Solar</u>	<u>200.0</u>
<u>57</u>	<u>847</u>	<u>Solar</u>	<u>20.0</u>
<u>58</u>	<u>851</u>	<u>Geothermal</u>	<u>70.0</u>
<u>59</u>	<u>920</u>	<u>Solar</u>	<u>75.0</u>
<u>60</u>	<u>942</u>	<u>Solar</u>	<u>250.0</u>

<u>#</u>	<u>CAISO Queue #</u>	<u>Fuel Type</u>	<u>Net MW to Grid</u>
<u>61</u>	<u>950</u>	<u>Solar</u>	<u>200.0</u>
<u>62</u>	<u>986</u>	<u>Solar</u>	<u>245</u>
<u>Total =</u>			<u>7,682.6</u>

Table 1.0-K SCE Queued Withdrawn Projects in Kramer System

<u>#</u>	<u>SCE Queue #</u>	<u>Fuel Type</u>	<u>Net MW to Grid</u>
<u>1</u>	<u>WDT181</u>	<u>Gas</u>	<u>55.5</u>
<u>2</u>	<u>WDT267</u>	<u>Solar</u>	<u>66.0</u>
<u>3</u>	<u>WDT288</u>	<u>Solar</u>	<u>100.0</u>
<u>4</u>	<u>WDT274</u>	<u>Solar</u>	<u>20.1</u>
<u>5</u>	<u>WDT276</u>	<u>Solar</u>	<u>30.0</u>
<u>6</u>	<u>WDT277</u>	<u>Solar</u>	<u>30.0</u>
<u>7</u>	<u>WDT278</u>	<u>Solar</u>	<u>50.0</u>
<u>8</u>	<u>WDT280</u>	<u>Solar</u>	<u>35.0</u>
<u>9</u>	<u>WDT281</u>	<u>Solar</u>	<u>50.0</u>
<u>10</u>	<u>WDT284</u>	<u>Solar</u>	<u>50.0</u>
<u>11</u>	<u>WDT289</u>	<u>Solar</u>	<u>100.0</u>
<u>12</u>	<u>WDT301</u>	<u>Photovoltaic</u>	<u>0.6</u>
<u>13</u>	<u>WDT316</u>	<u>Solar</u>	<u>35.0</u>
<u>14</u>	<u>WDT307</u>	<u>Solar</u>	<u>40.0</u>
<u>15</u>	<u>WDT325</u>	<u>Photovoltaic</u>	<u>20.0</u>
<u>16</u>	<u>WDT326</u>	<u>Photovoltaic</u>	<u>20.0</u>
<u>17</u>	<u>WDT329</u>	<u>Photovoltaic</u>	<u>20.0</u>
<u>18</u>	<u>WDT337</u>	<u>Photovoltaic</u>	<u>5.1</u>
<u>19</u>	<u>WDT411</u>	<u>Photovoltaic</u>	<u>10.0</u>
<u>20</u>	<u>WDT412</u>	<u>Photovoltaic</u>	<u>10.0</u>
<u>21</u>	<u>WDT417</u>	<u>Photovoltaic</u>	<u>6.5</u>
<u>22</u>	<u>5291</u>	<u>Photovoltaic</u>	<u>1.5</u>
<u>23</u>	<u>5294</u>	<u>Photovoltaic</u>	<u>1.5</u>
<u>24</u>	<u>5285</u>	<u>Photovoltaic</u>	<u>1.5</u>
<u>25</u>	<u>5286</u>	<u>Photovoltaic</u>	<u>1.5</u>
<u>26</u>	<u>5287</u>	<u>Photovoltaic</u>	<u>1.5</u>
<u>27</u>	<u>5288</u>	<u>Photovoltaic</u>	<u>1.5</u>
<u>28</u>	<u>5289</u>	<u>Photovoltaic</u>	<u>1.5</u>
<u>29</u>	<u>5290</u>	<u>Photovoltaic</u>	<u>1.5</u>

1.0 PURPOSE AND NEED

<u>#</u>	<u>SCE Queue #</u>	<u>Fuel Type</u>	<u>Net MW to Grid</u>
<u>30</u>	<u>5292</u>	<u>Photovoltaic</u>	<u>1.5</u>
<u>31</u>	<u>5293</u>	<u>Photovoltaic</u>	<u>1.5</u>
<u>32</u>	<u>5295</u>	<u>Photovoltaic</u>	<u>1.5</u>
<u>33</u>	<u>5296</u>	<u>Photovoltaic</u>	<u>1.5</u>
<u>34</u>	<u>WDT446</u>	<u>Photovoltaic</u>	<u>10.0</u>
<u>35</u>	<u>5227</u>	<u>Photovoltaic</u>	<u>1.5</u>
<u>36</u>	<u>5436</u>	<u>Photovoltaic</u>	<u>0.5</u>
<u>37</u>	<u>WDT604</u>	<u>Photovoltaic</u>	<u>20.0</u>
<u>38</u>	<u>WDT598</u>	<u>Photovoltaic</u>	<u>19.8</u>
<u>39</u>	<u>WDT660</u>	<u>Photovoltaic</u>	<u>9.0</u>
<u>40</u>	<u>5471</u>	<u>Photovoltaic</u>	<u>0.0</u>
<u>41</u>	<u>WDT424</u>	<u>Photovoltaic</u>	<u>17.0</u>
<u>42</u>	<u>4204</u>	<u>Hydro</u>	<u>1.0</u>
<u>43</u>	<u>WDT748</u>	<u>Photovoltaic</u>	<u>1.5</u>
<u>44</u>	<u>WDT606</u>	<u>Photovoltaic</u>	<u>20.0</u>
<u>45</u>	<u>WDT653</u>	<u>Photovoltaic</u>	<u>10.0</u>
<u>46</u>	<u>WDT747</u>	<u>Photovoltaic</u>	<u>20.0</u>
<u>47</u>	<u>WDT749</u>	<u>Solar</u>	<u>18.0</u>
<u>48</u>	<u>WDT326DS</u>	<u>Solar</u>	<u>20.0</u>
<u>49</u>	<u>WDT770</u>	<u>Solar</u>	<u>20.0</u>
<u>50</u>	<u>WDT833</u>	<u>Geothermal</u>	<u>60.0</u>
<u>51</u>	<u>WDT747DS</u>	<u>Solar</u>	<u>20.0</u>
<u>52</u>	<u>WDT833DS</u>	<u>Geothermal</u>	<u>60.0</u>
<u>53</u>	<u>WDT606DS</u>	<u>Solar</u>	<u>20.0</u>
<u>54</u>	<u>5582</u>	<u>Photovoltaic</u>	<u>1.5</u>
<u>55</u>	<u>5649</u>	<u>Photovoltaic</u>	<u>0.0</u>
<u>56</u>	<u>WDT856</u>	<u>Geothermal</u>	<u>40.0</u>
<u>57</u>	<u>5801</u>	<u>Photovoltaic</u>	<u>1.5</u>
<u>58</u>	<u>5847</u>	<u>Photovoltaic</u>	<u>1.0</u>
<u>59</u>	<u>5855</u>	<u>Photovoltaic</u>	<u>0.0</u>
<u>60</u>	<u>5882</u>	<u>Photovoltaic</u>	<u>1.5</u>
<u>61</u>	<u>5906</u>	<u>Photovoltaic</u>	<u>1.5</u>
<u>62</u>	<u>5907</u>	<u>Photovoltaic</u>	<u>1.5</u>
<u>63</u>	<u>5908</u>	<u>Photovoltaic</u>	<u>1.5</u>
<u>64</u>	<u>WDT905</u>	<u>Photovoltaic</u>	<u>50.0</u>
<u>65</u>	<u>WDT906</u>	<u>Photovoltaic</u>	<u>250.0</u>
<u>66</u>	<u>WDT927</u>	<u>Photovoltaic</u>	<u>35.0</u>

<u>#</u>	<u>SCE Queue #</u>	<u>Fuel Type</u>	<u>Net MW to Grid</u>
<u>67</u>	<u>WDT936</u>	<u>Photovoltaic</u>	<u>22.0</u>
<u>68</u>	<u>5939</u>	<u>Photovoltaic</u>	<u>1.5</u>
<u>69</u>	<u>5947</u>	<u>Photovoltaic</u>	<u>1.5</u>
<u>70</u>	<u>5967</u>	<u>Photovoltaic</u>	<u>1.5</u>
<u>71</u>	<u>5968</u>	<u>Photovoltaic</u>	<u>1.5</u>
<u>72</u>	<u>5969</u>	<u>Photovoltaic</u>	<u>1.5</u>
<u>73</u>	<u>8011</u>	<u>Photovoltaic</u>	<u>0.0</u>
<u>74</u>	<u>7199</u>	<u>Fuel Cell</u>	<u>0.0</u>
<u>75</u>	<u>8026</u>	<u>Photovoltaic</u>	<u>1.5</u>
<u>76</u>	<u>8033</u>	<u>Photovoltaic</u>	<u>0.0</u>
<u>77</u>	<u>8015</u>	<u>Photovoltaic</u>	<u>1.5</u>
<u>78</u>	<u>8016</u>	<u>Photovoltaic</u>	<u>1.5</u>
<u>79</u>	<u>8017</u>	<u>Photovoltaic</u>	<u>1.5</u>
<u>80</u>	<u>8058</u>	<u>Photovoltaic</u>	<u>1.5</u>
<u>81</u>	<u>8077</u>	<u>Photovoltaic</u>	<u>3.0</u>
<u>82</u>	<u>WDT1086FT</u>	<u>Photovoltaic</u>	<u>1.0</u>

Total = 1,546.1

Table 1.0-L CAISO Queued Withdrawn Projects at future Jasper Substation¹

<u>#</u>	<u>CAISO Queue #</u>	<u>Fuel Type</u>	<u>Net MW to Grid</u>
<u>1</u>	<u>83</u>	<u>Wind</u>	<u>60.0</u>
<u>2</u>	<u>115</u>	<u>Wind</u>	<u>150.0</u>
<u>3</u>	<u>116</u>	<u>Wind</u>	<u>50.0</u>
<u>4</u>	<u>133</u>	<u>Wind</u>	<u>140.0</u>
<u>5</u>	<u>135</u>	<u>Wind</u>	<u>60.0</u>
<u>6</u>	<u>156</u>	<u>Wind</u>	<u>201.0</u>
<u>7</u>	<u>271</u>	<u>Solar</u>	<u>400.0</u>
<u>8</u>	<u>301</u>	<u>Solar</u>	<u>500.0</u>
<u>9</u>	<u>302</u>	<u>Solar</u>	<u>200.0</u>
<u>10</u>	<u>376</u>	<u>Solar</u>	<u>612.0</u>
<u>11</u>	<u>782</u>	<u>Solar</u>	<u>100.0</u>
<u>12</u>	<u>842</u>	<u>Solar</u>	<u>540.0</u>

¹ <http://www.caiso.com/Documents/ISOGeneratorInterconnectionQueueExcel.xls>

1.0 PURPOSE AND NEED

<u>#</u>	<u>CAISO Queue #</u>	<u>Fuel Type</u>	<u>Net MW to Grid</u>
13	888	Solar	100.0
14	906	Solar	100.0

Total = **3,213.0**

The existing queued and future generation projects requesting interconnection into the Kramer System and future Jasper Substation to be located in Lucerne Valley are studied in the Generation Interconnection Process by the CAISO and SCE. These generation interconnection studies identify the necessary system upgrades needed to safely and reliably interconnect new generation to the SCE electric grid. System upgrades identified in the Generation Interconnection Studies are also studied in the CAISO's Annual Transmission Plan, where SCE and other stakeholders participate. Table 1.0-M lists the generation interconnection studies and Annual Transmission Plans that demonstrate the continued need for Coolwater-Lugo.

Table 1.0-M Studies Supporting the Need for Coolwater-Lugo

#	Study or Filing	Date	Performed by ¹	Study Results & Relation to Coolwater-Lugo
1	<u>Harper Lake Solar Plant Generator Interconnection Feasibility Study</u>	<u>4/2/07</u>	<u>CAISO & SCE</u>	<u>The Q125 Mojave Solar Project's incremental MW output causes base case and contingency overloads on the Kramer-Lugo 220 kV lines in the Kramer-Lugo Transmission Corridor. The Coolwater-Lugo 220 kV line is the evolution of the previously prescribed upgrades to provide another power path from Kramer to Lugo in order to mitigate the identified overloads and safely and reliability interconnect the Q125 Mojave Solar Project.</u>
2	<u>Harper Lake Solar Plant Project Interconnection System Impact Study</u>	<u>6/27/08</u>	<u>CAISO & SCE</u>	<u>The Q125 Mojave Solar Project's incremental MW output causes base case and contingency overloads on the Kramer-Lugo 220 kV lines in the Kramer-Lugo Transmission Corridor. The Coolwater-Lugo 220 kV line is the evolution of the previously prescribed upgrades to provide another power path from Kramer to Lugo in order to mitigate the identified overloads and safely and reliability interconnect the Q125 Mojave Solar Project.</u>
3	<u>KM Acquisitions Interconnection System Impact Study</u>	<u>7/29/08</u>	<u>CAISO & SCE</u>	<u>The Q142 KM Acquisitions Project's incremental MW output causes base case and contingency overloads on the Kramer-Lugo 220 kV lines in the Kramer-Lugo Transmission Corridor. The Coolwater-Lugo 220 kV line is the evolution of the previously prescribed upgrades to provide another power path from Kramer to Lugo in order to mitigate the identified overloads and safely and reliability interconnect the Q142 KM Acquisitions Project.</u>
4	<u>Harper Lake Solar Plant Project Technical Assessment</u>	<u>12/12/08</u>	<u>SCE</u>	<u>This study took into account various queued ahead generation project withdrawals and determined the Q125 Mojave Solar Project's incremental MW output causes base case and contingency overloads on the Kramer-Lugo 220 kV lines in the Kramer-Lugo Transmission Corridor. The Coolwater-Lugo 220 kV line was specifically identified to provide another power path from Kramer to Lugo to mitigate the identified overloads in order to safely & reliability interconnect the Q125 Mojave Solar Project.</u>
5	<u>KM Acquisitions Technical Assessment</u>	<u>12/18/08</u>	<u>SCE</u>	<u>This study took into account various queued ahead generation project withdrawals and determined the Q142 KM Acquisitions Project's incremental MW output causes base case and contingency overloads on the Kramer-Lugo 220 kV lines in the Kramer-Lugo Transmission Corridor. The Coolwater-Lugo 220 kV line was specifically identified to provide another power path from Kramer to Lugo to mitigate the identified overloads in order to safely & reliability interconnect the Q142 KM Acquisitions Project.</u>
6	<u>CAISO LGIP Transition Cluster Phase 1 Interconnection Study SCE's East of Lugo Bulk System Group Network Analysis</u>	<u>7/28/09</u>	<u>CAISO & SCE</u>	<u>The incremental output of the Transition Cluster Phase 1 East of Lugo generation projects required the Coolwater-Lugo 220 kV line in order to provide additional transmission capacity in the Kramer System.</u>
7	<u>LGIP Cluster 1 Phase 1 Interconnection Study Report SCE's East of Lugo Bulk System</u>	<u>5/28/10</u>	<u>CAISO & SCE</u>	<u>The incremental output of the Cluster 1 Phase 1 East of Lugo generation projects required the Coolwater-Lugo 220 kV line in order to provide additional transmission capacity in the Kramer System.</u>
8	<u>Transition Cluster Phase II Interconnection Study Report SCE's East of Lugo Bulk System</u>	<u>8/12/10</u>	<u>CAISO & SCE</u>	<u>This study took into account various queued generation withdrawals and modifications from Transition Cluster Phase 1 to Transition Cluster Phase 2 and required the Coolwater-Lugo 220 kV line in order to provide additional transmission capacity in the Kramer System.</u>
9	<u>QC 2 Phase 1 Interconnection Report SCE's East of Lugo Bulk System</u>	<u>11/12/10</u>	<u>CAISO & SCE</u>	<u>The incremental output of the QC 2 Phase 1 Interconnection East of Lugo generation projects required the Coolwater-Lugo 220 kV line in order to provide additional transmission capacity in the Kramer System.</u>

¹ Generation interconnection studies are not public proceedings or final decisions. The CAISO Annual Transmission Plans are public proceedings, but final decisions.

1.0 PURPOSE AND NEED

#	Study or Filing	Date	Performed by ¹	Study Results & Relation to Coolwater-Lugo
10	<u>FERC Icentive Filing</u>	<u>3/11/11</u>	<u>FERC</u>	<u>Final decision granting SCE recovery of 100 percent construction work in progress (CWIP) and recovery of 100 percent of prudently-incurred abandoned plant costs for most project components of Coolwater-Lugo.</u>
11	<u>CAISO 2010-2011 Transmission Plan</u>	<u>5/18/11</u>	<u>CAISO & SCE</u>	<u>The Coolwater-Lugo 220 kV line is identified as an element supporting renewable energy goals, as being needed for deliverability in three of the four studied planning scenarios, as having 600 MW Renewable Deliverability Potential, as a project that defers the need for the CAISO to approve additional transmission projects in order to meet California's 33% RPS goals.</u>
12	<u>QC 3 Phase 1 Interconnection Study Report SCE's East of Lugo Bulk System</u>	<u>5/27/11</u>	<u>CAISO & SCE</u>	<u>The incremental output of the QC 3 Phase 1 Interconnection East of Lugo generation projects required the Coolwater-Lugo 220 kV line in order to provide additional transmission capacity in the Kramer System.</u>
13	<u>Queue Cluster 1 & 2 Phase II Interconnection Study Report SCE's East of Lugo Bulk System</u>	<u>8/26/11</u>	<u>CAISO & SCE</u>	<u>This study took into account various queued generation withdrawals and modifications from Queue Cluster 1 & 2 Phase 1 to Queue Cluster 1 & 2 Phase 2 and required the Coolwater-Lugo 220 kV line in order to provide additional transmission capacity in the Kramer System.</u>
14	<u>Queue Cluster 4 Phase 1 Interconnection System Report SCE's North of Lugo Bulk System</u>	<u>12/31/11</u>	<u>CAISO & SCE</u>	<u>The incremental output of the Queue Cluster 4 Phase 1 Interconnection North of Lugo generation projects required the Coolwater-Lugo 220 kV line in order to provide additional transmission capacity in the Kramer System.</u>
15	<u>Cluster 1 & 2 Deliverability Re-Assessment</u>	<u>1/31/12</u>	<u>CAISO</u>	<u>This study was performed by the CAISO pursuant to the 10/31/12 Technical Bulletin on Cluster 1-4 Deliverability Procedures and for the sole purpose of applying those procedures to Cluster 1 & Cluster 2. This analysis concluded the Coolwater-Lugo 220 kV T/L was still required in order to provide additional transmission capacity.</u>
16	<u>CAISO 2011-2012 Transmission Plan</u>	<u>3/23/12</u>	<u>CAISO & SCE</u>	<u>The Coolwater-Lugo 220 kV line is identified as modeled in the policy-driven planning base cases, as serving the Kramer, Inyokern, Owens Valley, and San Bernardino-Lucerne CREZs, and as a project that defers the need for the CAISO to approve additional transmission projects in order to meet California's 33% RPS goals.</u>
17	<u>QC3 and QC4 Phase II Interconnection Study Report SCE's North of Lugo Bulk System</u>	<u>11/9/12</u>	<u>CAISO & SCE</u>	<u>This study took into account various queued generation withdrawals and modifications from Queue Cluster 3 & 4 Phase 1 to Queue Cluster 3 & 4 Phase 2 and required the Coolwater-Lugo 220 kV line in order to provide additional transmission capacity in the Kramer System.</u>
18	<u>Queue Cluster 5 Phase 1 Interconnection Study Report SCE's North of Lugo System</u>	<u>1/31/13</u>	<u>CAISO & SCE</u>	<u>The incremental output of the Queue Cluster 5 Phase 1 Interconnection North of Lugo generation projects required the Coolwater-Lugo 220 kV line in order to provide additional transmission capacity in the Kramer System.</u>
19	<u>CAISO 2012-2013 Transmission Plan</u>	<u>3/20/13</u>	<u>CAISO & SCE</u>	<u>The Coolwater-Lugo 220 kV line is identified as ensuring the deliverability of 750 MW of renewable generation in the Kramer zone and 106 MW in the Lucerne zone, in the Commercial Interest portfolio. The Coolwater-Lugo 220 kV line was also identified to address the diverged power flow solution on the Kramer 230 kV-Lugo 230 kV #1 and #2 lines contingency, as needed additional network transmission to support renewable energy goals, as providing 700-1,100 MW of deliverability, and as a project that defers the need for the CAISO to approve additional transmission projects in order to meet California's 33% RPS goals.</u>
20	<u>QC5 Phase II Interconnection Report SCE North of Lugo Area</u>	<u>12/3/13</u>	<u>CAISO & SCE</u>	<u>This study took into account various queued generation withdrawals and modifications from Queue Cluster 5 Phase I to Queue Cluster 5 Phase 2 and required the Coolwater-Lugo 220 kV line in order to provide additional transmission capacity in the Kramer System.</u>

#	Study or Filing	Date	Performed by ¹	Study Results & Relation to Coolwater-Lugo
21	<u>Queue Cluster 6 Phase I Interconnection Study Report SCE North of Lugo Area</u>	1/17/14	CAISO & SCE	The incremental output of the Queue Cluster 5 Phase 1 Interconnection North of Lugo generation projects required the Coolwater-Lugo 220 kV line in order to provide additional transmission capacity in the Kramer System.
22	<u>CAISO 2013-2014 Transmission Plan</u>	3/12/14	CAISO & SCE	The Coolwater-Lugo 220 kV line is identified as needed additional network transmission to support renewable energy goals and as a project that defers the need for the CAISO to approve additional transmission projects in order to meet California's 33% RPS goals.

Table 1.0-N provides a list of all queued generation in the Kramer System and at future Jasper Substation and indicates how Coolwater-Lugo supports the interconnection of each project.

Table 1.0-N Queued Kramer & Jasper Generation & Coolwater-Lugo Need

#	CAISO or SCE Queue #	Net MW to Grid	Point of Interconnection	Coolwater-Lugo Need
1	125	250.0	Sandlot Substation	Q125's MW output will flow to the capacity constrained Kramer-Lugo transmission corridor, consume that corridor's remaining capacity, and create Base Case and contingency overloads. Coolwater-Lugo is needed to create a new transmission path from Kramer to Lugo, which will allow a significant amount of power accumulating at the Kramer, Sandlot, and Coolwater 220 kV Substations to bypass the Kramer-Lugo transmission corridor, thus alleviating the capacity constraint.
2	142	80.0	Kramer Substation	Q142's MW output will flow to the capacity constrained Kramer-Lugo transmission corridor and aggravate the constraint. Coolwater-Lugo is needed to create a new transmission path from Kramer to Lugo, which will allow a significant amount of power accumulating at the Kramer, Sandlot, and Coolwater 220 kV Substations to bypass the Kramer-Lugo transmission corridor, thus alleviating the capacity constraint.
3	909	25.0	Sandlot Substation	Q909's MW output will flow to the capacity constrained Kramer-Lugo transmission corridor and aggravate the constraint. Coolwater-Lugo is needed to create a new transmission path from Kramer to Lugo, which will allow a significant amount of power accumulating at the Kramer, Sandlot, and Coolwater 220 kV Substations to bypass the Kramer-Lugo transmission corridor, thus alleviating the capacity constraint.
4	WDT315	40.7	Control Substation	WDT315's MW output will flow to the capacity constrained Kramer-Lugo transmission corridor and aggravate the constraint. Coolwater-Lugo is needed to create a new transmission path from Kramer to Lugo, which will allow a significant amount of power accumulating at the Kramer, Sandlot, and Coolwater 220 kV Substations to bypass the Kramer-Lugo transmission corridor, thus alleviating the capacity constraint.
5	5707	0.0	Edwards Substation	5707 is a 1.1 MW non-export project which will serve its own electrical load, thus causing the overall Kramer System load to be reduced by 1.1 MW, and which increases the amount of excessive MW accumulating at Kramer Substation by 1.1 MW, and which will aggravate the Kramer-Lugo transmission constraint.

1.0 PURPOSE AND NEED

#	CAISO or SCE Queue #	Net MW to Grid	Point of Interconnection	Coolwater-Lugo Need
6	5708	0.0	Edwards Substation	5708 is a 0.99 MW non-export project which will serve its own electrical load, thus causing the overall Kramer System load to be reduced by 0.99 MW, and which increases the amount of excessive MW accumulating at Kramer Substation by 0.99 MW, and which will aggravate the Kramer-Lugo transmission constraint.
7	5709	0.0	Edwards Substation	5709 is a 1.1 MW non-export project which will serve its own electrical load, thus causing the overall Kramer System load to be reduced by 1.1 MW, and which increases the amount of excessive MW accumulating at Kramer Substation by 1.1 MW, and which will aggravate the Kramer-Lugo transmission constraint.
8	5729	0.0	Rickover 33 kV line	5729 is a 11.1 MW non-export project which will serve its own electrical load, thus causing the overall Kramer System load to be reduced by 11.1 MW, and which increases the amount of excessive MW accumulating at Kramer Substation by 11.1 MW, and which will aggravate the Kramer-Lugo transmission constraint.
9	5879	0.0	Montara 33 kV line	5879 is a 0.3 MW non-export project which will serve its own electrical load, thus causing the overall Kramer System load to be reduced by 0.3MW, and which increases the amount of excessive MW accumulating at Kramer Substation by 0.3 MW, and which will aggravate the Kramer-Lugo transmission constraint.
10	WDT930	20.0	Baroid 33 kV line	Q930's MW output will flow to the capacity constrained Kramer-Lugo transmission corridor and aggravate the constraint. Coolwater-Lugo is needed to create a new transmission path from Kramer to Lugo, which will allow a significant amount of power accumulating at the Kramer, Sandlot, and Coolwater 220 kV Substations to bypass the Kramer-Lugo transmission corridor, thus alleviating the capacity constraint.
11	WDT931	20.0	Remote 33 kV line	Q931's MW output will flow to the capacity constrained Kramer-Lugo transmission corridor and aggravate the constraint. Coolwater-Lugo is needed to create a new transmission path from Kramer to Lugo, which will allow a significant amount of power accumulating at the Kramer, Sandlot, and Coolwater 220 kV Substations to bypass the Kramer-Lugo transmission corridor, thus alleviating the capacity constraint.
12	552	60.0	Jasper Substation	The combined MW output of Q552 & Q897 will exceed the transmission capacity on the existing Lugo-Pisgah No.1 220 kV line. Coolwater-Lugo will rebuild the portion this line from the Jasper Substation area, west to Lugo Substation and would provide additional capacity to accommodate Q552 & Q897.
13	897	200.0	Jasper Substation	The combined MW output of Q552 & Q897 will exceed the transmission capacity on the existing Lugo-Pisgah No.1 220 kV line. Coolwater-Lugo will rebuild the portion this line from the Jasper Substation area, west to Lugo Substation and would provide additional capacity to accommodate Q552 & Q897.

Total = 695.7

The proposed construction and upgrade of transmission and substation facilities would be required to deliver the power produced in these areas to utility load centers. The purpose of the proposed Coolwater-Lugo Project, planned to be operational by 2018, is to provide additional transmission capacity to help alleviate the 220 kV transmission bottlenecks between the existing Kramer and Lugo Substations and between the Lucerne Valley area and Lugo Substation, to facilitate the interconnection of renewable generation projects, to accommodate future load serving in the High Desert Region, particularly in

the Town of Apple ValleyTown of Apple Valley, and to facilitate additional system reliability. Specifically, Coolwater-Lugo would ensure the deliverability¹ of the Commercial Interest Portfolio’s 750 MW of renewable generation in the Kramer zone and 106 MW in the Lucerne zone as indicated in the 2012-2013 CAISO Annual Transmission Plan.² Deliverability, from the perspective of individual generator resources, ensures that, under normal transmission system conditions, if capacity resources are available and called on, their ability to provide energy to the system at peak load will not be limited by the dispatch of other capacity resources in the vicinity from a resource adequacy perspective.

From a reliability perspective, without installation of a Lugo No.3AA 500/220 kV transformer bank, the capacity of Coolwater-Lugo would be dictated by the remaining capacity of the existing Lugo No.1AA & No.2AA 500/220 kV transformer banks which have an anticipated remaining approximate capacity between 500 MW to 1,000 MW in the year 2018 under minimum to maximum load conditions. Reliability, from the perspective of individual generator resources, ensures that, under normal and abnormal transmission system conditions, if capacity resources are available and called on, they are able to provide energy to the system under minimum to maximum load conditions compliant with Reliability Standards and the Regional Business Practices developed by the CAISO, WECC, NERC, and the individual utility.

The capacity of Coolwater-Lugo and its continued ability to relieve transmission constraints in the Kramer-Lugo and Lugo-Pisgah Corridors will be tied to load growth, 3rd party generation projects pursuing development in the Kramer Area and at future Jasper Substation, and the specific point of interconnections (POI) of those 3rd party generation projects. The generation interconnection studies identified in Table 1.0-M have considered a wide range of load forecasts and actual queued generation scenarios and demonstrate the effectiveness of Coolwater-Lugo at relieving existing transmission constraints in the load forecast and generation interconnection horizons.

The proposed Coolwater-Lugo scope would consist of installing new transmission lines, new substation facilities to support line termination, and telecommunication facilities to support use of a Special Protection System (“SPS”)³. The transmission line would utilize a combination of single-circuit and double-circuit structures consisting of 220 kV and 500 kV design standards between the existing Coolwater Generation Station 220 kV

¹ <http://www.caiso.com/Documents/On-PeakDeliverabilityAssessmentMethodology.pdf> (p. 1)

² . <http://www.caiso.com/Documents/BoardApproved2012-2013TransmissionPlan.pdf> (p. 155)

³ As defined by the NERC, a SPS is an automatic protection system designed to detect abnormal or predetermined system conditions, and take corrective actions other than and/or in addition to the isolation of faulted components to maintain system reliability. Such action may include changes in demand, generation (MW and MVAR), or system configuration to maintain system stability, acceptable voltage, or power flows.

1.0 PURPOSE AND NEED

Switchyard (“Coolwater Switchyard”) and the existing CAISO-controlled Lugo Substation, in order to provide an additional path for power to flow from Kramer Substation ultimately to Lugo Substation. Routing of the transmission line south from Coolwater Switchyard through the Lucerne Valley area to SCE existing transmission ROW, would facilitate future connection to SCE proposed future Jasper Substation, which is a separate project that would be is being developed approximately 22 miles south of Coolwater Switchyard and 27 miles northeast of Lugo Substation. ~~In addition, a new 500/220 kV transformer bank would be installed at Lugo Substation and~~ A new Desert View Substation with ultimate design for 500/220/115/12 kV, would be sited and partially constructed approximately 16 miles northeast of Lugo Substation along the proposed transmission line route as part of Coolwater-Lugo in order to consolidate the new Coolwater-Lugo 220 kV line into the existing SCE ROW. Figures 1.0-B and 1.0-C depict block diagrams of the Coolwater-Lugo’s Minimum and Initial Buildout scenarios.

Figure 1.0-B Coolwater-Lugo Minimum Buildout

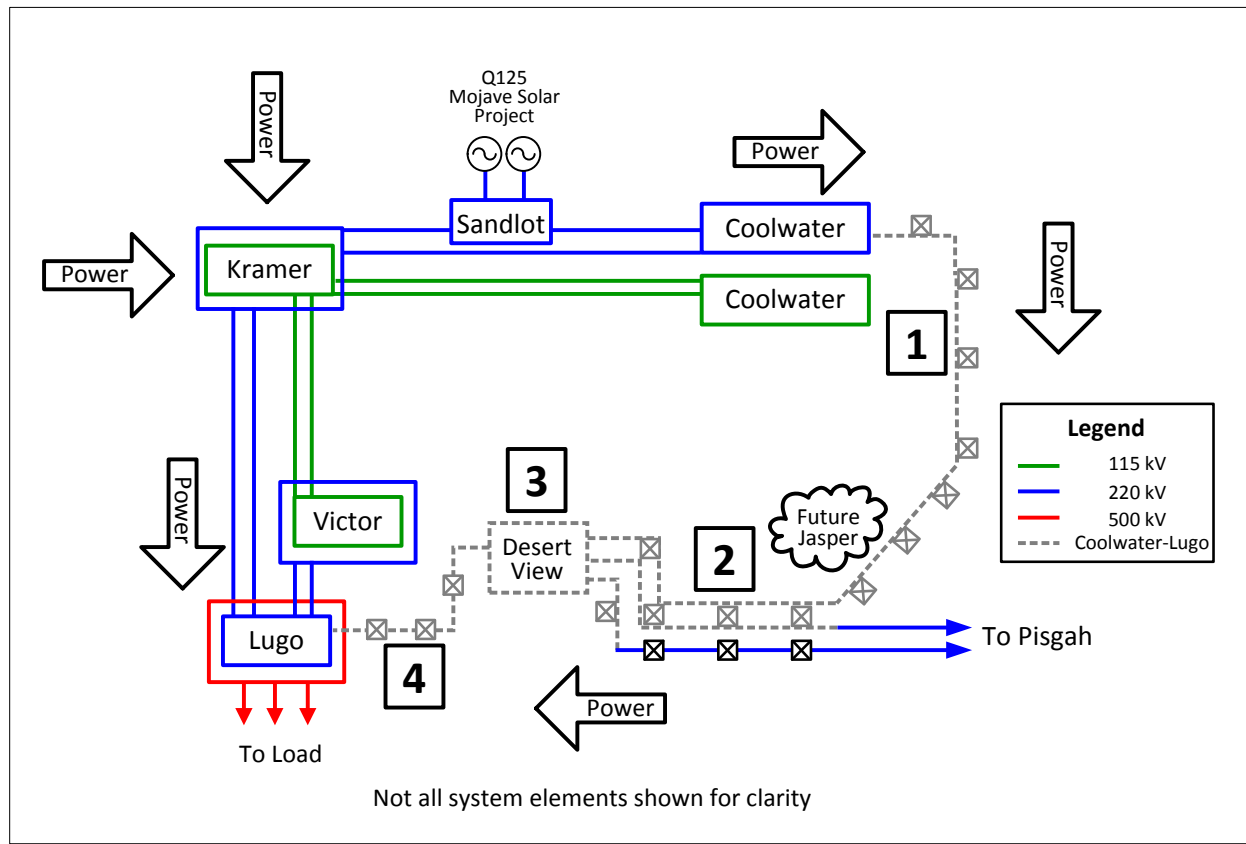
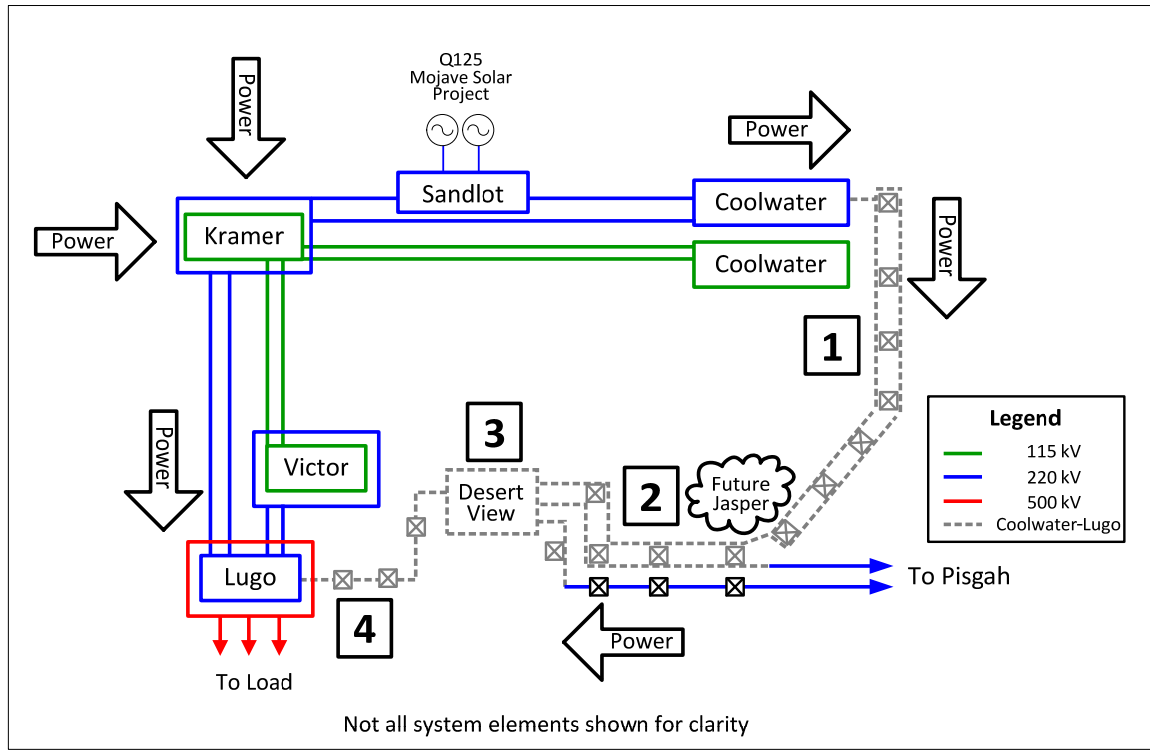


Figure 1.0-C Coolwater-Lugo Initial Build Out

As depicted by the four numbered squares in Figure 1.0-B, the Coolwater-Lugo's Minimum Buildout is the minimum facilities necessary to fulfill the contractual obligation of the Q125 Mojave Solar LGIA and would consist of the following main transmission facilities:

1. Approximately 34.0 miles of double-circuit structures with an initial 220 kV circuit from the existing Coolwater 220 kV Substation south to the existing SCE Lugo-Pisgah transmission corridor.
2. Tear down and rebuild of approximately 13.6 miles of the existing capacity limited single-circuit Lugo-Pisgah No.1 220 kV transmission line with higher capacity two bundled 1,590 thousand circular mils aluminum conductor steel reinforced ACSR ("2B-1590 ACSR") conductor. The new line from the Coolwater 220 kV Substation would be connected to the north side of the new double-circuit structures and the remaining portions of the existing Lugo-Pisgah No.1 220 kV transmission line would be connected to the south side of the new double-circuit structures.
3. Grade an initial 13.5 acres at Desert View and construct an initial four-position 220 kV Switchrack in order to combine the three lines coming from the east into one high capacity line going west to Lugo Substation in order to stay within the existing SCE ROW.

4. Tear down and rebuild of approximately 16.6 miles of the existing capacity limited Lugo-Pisgah No.1 and No.2 220 kV transmission lines with one single circuit 500 kV transmission line, utilizing 2B-2156 ACSR conductor, initially operated at 220 kV from the Desert View 220 kV Switchrack west to Lugo Substation.

However, given the additional large amounts of generation projects in queue in the Kramer System and at Jasper Substation, the need to interconnect additional renewable projects in order to maintain the 33% RPS past the year 2020, the growing electrical demand in the High Desert Area, and the future need for increased system reliability, SCE is proposing to construct the Initial Buildout rather than the Minimum Buildout, in consideration of the long-term planning forecast and in order to minimize the cost, lead time, and environmental disturbance of expected incremental upgrades within the Coolwater-Lugo Project area that are expected to occur within or just beyond the 10-year planning window.

The four numbered squares in Figure 1.0-C depict the facilities that SCE proposes to build as an Initial Buildout.

- a. Area “1” in Figure 1.0-C depicts a double-circuit 220 kV line operated in a box-loop configuration, where both sides of the new double-circuit structures would be strung, but operated as a single circuit. Using double-circuit structures and initially stringing both sides would be cheaper and have less environmental disturbance than either initially constructing one single-circuit line and having to build a second separate single-circuit line later, or using double-circuit structures and only initially stringing one side of the towers and having to string the second circuit at a later date. Stringing both sides of the double-circuit towers initially in a box-loop configuration would reduce material purchases and crew mobilizations and would also allow for special conductor phasing to significantly reduce electrical and magnetic fields (“EMF”).
- b. Area “2” in Figure 1.0-C would remain the same as the minimum build out.
- c. Area “3” in Figure 1.0-C would include the grading of the full 86 a acres at Desert View, instead of the minimum grading of just 13.5 acres, with the constructing of the initial four-position 220 kV Switchrack in order to combine the three lines coming from the east into one high capacity line going to the west to Lugo Substation in order to stay within the existing SCE ROW. Grading of the additional 73.5 acres, 86 acres total, would ensure alignment in grading of all 86 acres
- d. Area “4” in Figure 1.0-C would remain the same as the Minimum Buildout.

Table 1.0-O provides the purpose and need justification for each major element of Coolwater-Lugo under the Minimum, Initial, and Full Buildout scenarios.

Table 1.0-O Purpose & Need Justification for the Coolwater-Lugo Elements

<u>Element¹</u>	<u>Purpose and Need</u>	<u>Mojave Solar LGIA</u>	<u>FERC Incentive Filing</u>	<u>Future CAISO Study, Review, or Approval?</u>	<u>Estimated Need Date</u>
<u>Substations</u>					
<u>Coolwater</u>	<ul style="list-style-type: none"> • <u>Minimum Build: 220 kV switchyard reconfiguration and supporting equipment required to terminate new transmission line</u> • <u>Initial Build: Same as Minimum Build</u> • <u>Full Build: Same as Minimum Build</u> 	<u>Minimum Build</u>	<u>Minimum Build</u>	<u>Not required</u>	<u>2018</u>
<u>Desert View</u>	<ul style="list-style-type: none"> • <u>Minimum Build: Four-position 220 kV switchrack including all supporting infrastructure located on 86 acres but grading only 13.5 acres and installing a chain link fence around the 13.5 acres. Required to connect four 220 kV transmission lines, facilitate future generation interconnections, future load serving, and future reliability.</u> • <u>Initial Build: Same as Minimum Build except for grading the entire 86 acres and installing perimeter wall around the 86 acres instead of a chain link fence around the 13.5 acres.</u> • <u>Full Build: Install 500 kV, additional 220 kV, 115 kV, and 12 kV substation facilities. Required at a future point to serve future generation interconnections, load, and reliability.</u> 	<p><u>Minimum Build</u></p> <p><u>Not included in LGIA since LGIA assumed Jasper was moving forward</u></p>	<p><u>Minimum Build</u></p> <p><u>Not included in FERC filing since FERC filing contemplated Jasper moving forward</u></p>	<p><u>Minimum & Initial Build – It is SCE’s belief that further CAISO Study, Review, Approval is Not Required.</u></p> <p><u>Full Build – The CAISO would study, review and approve the 500 kV & 220 kV Desert View elements expanded beyond the initial 4-position 220 kV switchrack.</u></p>	<p><u>Minimum Build – 2018</u></p> <p><u>Initial Build – 2018</u></p> <p><u>Portions of Full Build – 2025 to 2029</u></p>

¹ The Lugo No. 3AA 500/220kV transformer bank was removed from this table since it is no longer included as a Coolwater-Lugo element.

1.0 PURPOSE AND NEED

<p><u>Lugo</u></p>	<ul style="list-style-type: none"> • <u>Minimum Build: 220 kV switchyard supporting equipment required to terminate new transmission line.</u> • <u>Initial Build: Same as Minimum Build</u> • <u>Full Build: Same as Minimum Build</u> 	<p><u>Minimum Build</u></p>	<p><u>Minimum Build</u></p>	<p><u>Not Required</u></p>	<p><u>2018</u></p>
<p><u>Coolwater- Lugo Transmission Line</u></p>					
<p><u>Coolwater to Lugo-Pisgah corridor</u> (<u>Seg. 12.1.2,3</u>)</p>	<ul style="list-style-type: none"> • <u>Minimum Build: Double-circuit single side strung required to provide the additional transmission capacity necessary for Full Delivery of the Mojave Solar Project.</u> • <u>Initial Build: Double-circuit both sides strung. Required to provide the additional transmission capacity necessary for Full Delivery of the Mojave Solar Project. Stringing both sides is needed to eliminate future environmental impacts associated with stringing second circuit at a later date and minimize overall cost of stringing both sides by maximizing use of resources during initial construction.</u> • <u>Full Build: Same as Initial Build</u> 	<p><u>Minimum Build</u></p>	<p><u>Initial Build</u></p>	<p><u>It is SCE's belief that further CAISO Study, Review, Approval is Not Required.</u></p>	<p><u>2018</u></p>
<p><u>Lugo-Pisgah Corridor to Desert View</u> (<u>Seg. 5 and 5A</u>)</p>	<ul style="list-style-type: none"> • <u>Minimum Build: Double-circuit both sides strung located on existing ROW by removing portion of the existing Lugo-Pisgah No.1 220 kV T/L. Required to provide the additional transmission capacity necessary for Full Delivery of the Mojave Solar Project and to reestablish the portion of existing Lugo-Pisgah No.1 220 kV T/L removed to use existing ROW.</u> • <u>Initial Build: Same as Minimum Build</u> • <u>Full Build: Same as Minimum Build</u> 	<p><u>Minimum Build with one side strung since FERC filing contemplated Jasper Substation and new Lugo-Pisgah 500 kV T/L with Pisgah 500 kV Substation in-service as part of separate project.</u></p>	<p><u>Minimum Build with one side strung since FERC filing contemplated Jasper Substation and new Lugo-Pisgah 500 kV T/L with Pisgah 500 kV Substation in-service as part of separate project.</u></p>	<p><u>It is SCE's belief that further CAISO Study, Review, Approval is Not Required</u></p>	<p><u>2018</u></p>

<p>Desert View to Lugo (Seg. 7)</p>	<ul style="list-style-type: none"> • <u>Minimum Build: Single-circuit 500 kV transmission line (2B-2156 ACSR), initially energized at 220 kV, replacing the two existing Lugo-Pisgah No.1 and No.2 220 kV T/Ls. Required to provide the additional transmission capacity necessary for Full Delivery of the Mojave Solar Project.</u> • <u>Initial Build: Same as Initial Build</u> • <u>Full Build: Same as Initial Build</u> 	<p><u>Minimum Build</u></p>	<p><u>Minimum Build</u></p>	<p><u>It is SCE's belief that further CAISO Study, Review, Approval is Not Required</u></p>	<p><u>2018</u></p>
<p><u>Telecommunications</u></p>					
<p><u>Fiber Optics, Microwave, and other supporting equipment</u></p>	<p><u>Telecommunications needed to support Coolwater-Desert View, Desert View-Lugo, and Desert View-Pisgah line protection and Special Protection System</u></p>	<p><u>Minimum Build</u></p>	<p><u>Portion¹ of Minimum Build since FERC filing contemplated Jasper Substation and new Lugo-Pisgah 500 kV T/L with Pisgah 500 kV Substation in-service as part of separate project.</u></p>	<p><u>Not required</u></p>	<p><u>2018</u></p>

¹ Since the FERC Filing contemplated Jasper Substation and new Lugo-Pisgah 500 kV T/L with Pisgah 500 kV Substation in-service as part of separate project, it did not include the Apple Valley-Desert View fiber optic.

This page is intentionally blank

As discussed below, and further discussed in Section 1.1 Project Purpose, the purpose of the proposed Coolwater-Lugo is to:

1. Facilitate achievement of the state-mandated Renewables Portfolio Standard (“RPS”) (i.e., 33% renewable by year 2020 per Senate Bill 2 (“SBX1 2”) in an orderly, rational and cost-effective manner, while also considering the need for maintaining reliable electric service during the upgrade and/or construction of new facilities;
2. Integrate planned renewable generation projects in the Kramer and Lucerne Valley areas and provide for the full delivery of a ~~250~~275 megawatt (“MW”) renewable generation project, known as the Mojave Solar Project, in a manner which minimizes potential environmental impacts. Currently the ~~250~~275 MW renewable generation project is under construction by Abengoa Solar, Inc. (“Abengoa”), the interconnection customer, who has executed a Power Purchase Agreement (“PPA”) pursuant to California Public Utilities Commission (“CPUC”) tariff. Abengoa is seeking interconnection via the CAISO Interconnection Process;¹
3. Interconnect and ~~deliver energy from up to 1,000 MW~~ ensure the deliverability of the Commercial Interest Portfolio’s 750 MW of renewable generation in the Kramer zone and 106 MW in the Lucerne zone as indicated in the 2012-2013 CAISO Annual Transmission Plan² in a way that complies with all applicable CAISO, North American Electric Reliability Corporation (“NERC”), and Western Electric Coordinating Council (“WECC”) reliability planning criteria, and in a manner that minimizes transmission line crossings;
4. Support the State of California Greenhouse Gas (“GHG”) Reduction Program;
5. Assist the BLM in meeting the Federal Renewable Energy Mandate to develop 10,000 MW of renewable generation on public lands by 2015;³
6. Support ~~California~~SCE’s Renewable Energy Small Tariff (“CREST”), Renewable Market Adjusting Tariff (Re-MAT), and SCE’s Rule 21 Projects. By expanding transmission capacity south of Kramer, Coolwater-Lugo would allow an increased number of SCE retail customers to export to the grid power produced from

¹ Abengoa, CAISO, and SCE executed a Large Generation Interconnection Agreement (“LGIA”) for SCE to construct the Coolwater-Lugo 220 kV transmission line in order to provide the Mojave Solar Project full capacity deliverability. The FERC on January 28, 2011 accepted the LGIA with an effective date of January 30, 2011. FERC Docket Nos. ER11-2204-000 and ER11-2368-000.

² <http://www.caiso.com/Documents/BoardApproved2012-2013TransmissionPlan.pdf> (p. 155)

³ Executive Order 13212, Actions to Expedite Energy-Related Projects, requires federal agencies to expedite review of energy project applications; and the Energy Policy Act of 2005 (Title II, Sec. 211) requires the Department of Interior (“DOI”) to approve at least 10,000 MW of renewable energy on public lands by 2015.

- eligible small-scale renewable energy facilities under CREST, Re-MAT, and Rule 21;
7. Support military desire to serve its own load under Rule 21. Coolwater-Lugo would allow the military facilities in the Kramer Junction and Ridgecrest areas to develop and serve their own load to meet national security goals;
 8. Address the City of Ridgecrest's renewable energy integration concerns by reducing the existing Kramer-Lugo transmission bottleneck and thus allowing increased development of renewable energy projects in the Ridgecrest area, including Rule 21 projects and projects on military facilities;
 9. Facilitate serving future load in High Desert Region, particularly in the Town of Apple Valley. As load continues to grow in the High Desert Region, Victor Substation will reach its load serving limits thereby requiring a new major load-serving substation;
 10. Facilitate reliability improvements in the Lugo-Pisgah Transmission Corridor, at Coolwater 220 kV Substation, and at Lugo Substation. ~~Currently, eight 500 kV transmission lines terminate at Lugo Substation.~~ By developing Coolwater-Lugo, including the Desert View Substation, line protection would be upgraded in the Lugo-Pisgah Transmission Corridor, 220 kV Switchrack upgrades would occur at Coolwater 220 kV Substation, and future transmission lines could be delooped out of Lugo Substation and looped into Desert View Substation improving overall system reliability; and,
 11. Meet project purpose and objectives while minimizing potential environmental effects of Coolwater-Lugo. Specific approaches to minimizing potential environmental effects include:
 - a) Maximizing the use of existing, previously disturbed transmission corridors to minimize potential effects on previously undisturbed land and resources;
 - b) Selecting site, route, and structure locations with the lowest potential for environmental impacts while still meeting project objectives; and,
 - c) Selecting a route that minimizes potential environmental impacts and project costs.

1.1 Project Purpose

1.1.1 Compliance with Renewable Portfolio Standard

The California RPS was established in 2002 by SB 1078. The RPS required investor-owned utilities, including retail sellers of electricity such as SCE, to increase their sale of electricity produced by renewable energy sources (such as solar and wind) by at least one percent per year, achieving 20 percent by 2017 (at the latest). These requirements were accelerated by the signing of SBX1 2 by Governor Edmund G. Brown, Jr., requiring 20 percent of retail sales from renewables by the end of 2013, 25 percent by the end of 2016, and a 33 percent requirement being met by the end of 2020.¹ In order for investor-owned utilities to satisfy these target goals, new transmission facilities would be required to interconnect remote areas of high renewable generation concentration, and new transmission would be required to eliminate bottlenecks that would preclude delivery of energy produced from these renewable resources to the applicable utility load centers. Coolwater-Lugo is needed to enable California electric utilities to facilitate compliance with the state mandated RPS in a manner that maximizes the use of existing, previously disturbed transmission line right-of-way (“ROW”) in order to minimize potential effects on previously undisturbed land and resources.

Moreover, the California Energy Commission’s (“CEC”) 2011 Integrated Energy Policy Report (“IEPR”) encourages the development of additional transmission infrastructure to interconnect and deliver renewable resources. The IEPR Report identified that the success in meeting the RPS and the GHG Reduction Program is largely dependent upon having the ability to interconnect substantial amounts of new renewable generation. Furthermore it states that the lack of transmission infrastructure to access remote renewable resources is a critical barrier to meeting California’s 2020 electricity and natural gas goals.

1.1.2 Integrate Planned Renewable Generation Resources

Under orders issued pursuant to Sections 210 and 212 of the Federal Power Act (16 U.S. Code §§ 824i and 824k) and interconnection agreements executed pursuant to CAISO Fifth Replacement Electric Tariff, SCE is obligated to interconnect and integrate power generation facilities into its electric system and provide for the level of interconnection service requested.

When an electric generating facility makes an interconnection request, the CAISO evaluates whether transmission line upgrades are needed to safely and reliably satisfy the request. If the CAISO analysis indicates that transmission upgrades are needed, then the necessary upgrades are incorporated into a Generator Interconnection Agreement that is entered into by the applicable interconnection customer(s), the utility (such as SCE), and the CAISO.

¹ <http://www.energy.ca.gov/portfolio/index.html>

A CAISO Serial interconnection study completed in 2008 identified the need for Coolwater-Lugo. This study indicated that without Coolwater-Lugo, the anticipated addition of new generation resources in the Barstow, Inyokern, Kramer, and Owens Valley areas would result in unacceptable thermal overload conditions on the existing Kramer-Lugo transmission corridor. During the interconnection studies, it was determined that Coolwater-Lugo could not be operational until 2018 due to estimated licensing and construction timelines. Coolwater-Lugo has since been included in the CAISO’s 2010-2011¹, 2011-2012², and 2012-2013³, and 2013-2014⁴ Transmission Plans⁵ and is referenced by the CAISO as an upgrade necessary to meeting California’s 33% RPS⁶.

As of July 5, 2013, there were a total of 17 active interconnection requests to SCE’s transmission system in the Barstow, Inyokern, Kramer, Lucerne Valley, and Owens Valley areas in the CAISO and SCE interconnection queues totaling 1,994.1 MW. Table 1.0-A lists all active generation interconnection requests in the Barstow, Inyokern, Kramer, and Owens Valley areas (“Kramer Junction Area”), while Table 1.0-B lists all the active generation interconnection requests in the Lucerne Valley area.

Table 1.0-A Kramer Junction Area Generation Interconnection Requests

#	Queue Position	Fuel Type	Project Size (MW)	County	Project Status
1	58 (Serial LGIP)	Geothermal	62	Mineral	LGIA – Executed
2	125 (Serial LGIP)	Solar Thermal	250	San Bernardino	LGIA – Executed PPA

¹ http://www.aiso.com/Documents/110518Decision_TransmissionPlan-RevisedDraftPlan.pdf

² http://www.aiso.com/Documents/Decision_2011-12TransmissionPlan-Plan-MAR2012.pdf

³ <http://www.aiso.com/Documents/BoardApproved2012-2013TransmissionPlan.pdf>

⁴ <http://www.aiso.com/Documents/RevisedDraft2013-2014TransmissionPlan.pdf>

⁵ The CAISO Transmission Plans identified a 220 kV transmission line with approximately 43 circuit miles of bundled 2B-1590 KCMIL ACSR conductor and approximately 16 circuit miles of bundled 2B-2156 KCMIL ACSR conductor, from Coolwater Switchyard to Lugo Substation, and an SPS and associated telecommunication facilities. In addition, as a result of SCE’s siting process to identify alternative locations for this route, SCE has determined the need for additional scope, to include the initial construction of a 220 kV switchrack (“Desert View Substation”) to facilitate construction of the Proposed Route, as described in Chapter 3.0, *Project Description*. Full build out of the Desert View Substation would be completed as needed over time to facilitate load serving, reliability, and future generation interconnections as detailed in Project Objective 2 and Project Objective 9.

⁶ http://www.energy.ca.gov/2013_energypolicy/documents/2013-05-07_transmission_workshop/presentations/03_Millar_Transmission_Planning_to_Support_RPS.pdf

Table 1.0 A Kramer Junction Area Generation Interconnection Requests

#	Queue Position	Fuel Type	Project Size (MW)	County	Project Status
3	142 (Serial LGIP)	Solar PV	80	San Bernardino	LGIA – Executed
4	909 (Queue Cluster 5)	Solar Thermal	25	San Bernardino	Phase 2 Study
5	950 (Queue Cluster 6)	Solar PV	200	San Bernardino	Phase 1 Study
6	986 (Queue Cluster 6)	Solar PV	875	Kern County	Phase 1 Study
7	GFID5707 (CREST/Rule 21)	Solar PV	1.1	San Bernardino	CREST/Rule 21 Study
8	GFID5855 (CREST/Rule 21)	Solar PV	20	San Bernardino	CREST/Rule 21 Study
9	GFID5879 (CREST/Rule 21)	Solar PV	0.3	San Bernardino	CREST/Rule 21 Study
10	WDAT164 (Serial LGIP)	Wind	80	San Bernardino	LGIA – Executed PPA
11	WDAT315 (Transition Cluster)	Geothermal	40.7	Mono	LGIA – Under negotiation
12	WDAT930 (Queue Cluster 5)	Geothermal	20	San Bernardino	Phase 1
13	WDAT931 (Queue Cluster 5)	Geothermal	20	San Bernardino	Phase 1
14	WDAT946 (Queue Cluster 5)	Geothermal	0	San Bernardino	Phase 1
		Total=	1,674.1 MW		

Table 1.0 B Lucerne Valley Area Generation Interconnection Requests

#	CAISO Queue Position	Fuel Type	Project Size (MW)	County	Project Status
1	135	Wind	60	San	LGIA – Executed

Table 1.0 B Lucerne Valley Area Generation Interconnection Requests

#	CAISO Queue Position	Fuel Type	Project Size (MW)	County	Project Status
	(Serial LGIP)			Bernardino	PPA
2	552 (Queue Cluster 2)	Solar PV	60	San Bernardino	LGIA — Under Negotiation
3	897 (Queue Cluster 5)	Solar PV	200	San Bernardino	Phase 2 Study
		Total =	320 MW		

Consequently, Coolwater-Lugo, summarized in Section 1.6, *Project Summary*, would enable California utilities to access and deliver the output of renewable generation projects in the Barstow, Inyokern, Kramer, Lucerne Valley, and Owens Valley areas and thus satisfy SCE’s obligation to interconnect and integrate power generation facilities, providing the level of service requested, into the electric grid.

1.1.3 Comply with Reliability Standards

Coolwater-Lugo would allow SCE to comply with NERC¹ Reliability Standards and the WECC Regional Business Practices.² Transmission lines must be planned in accordance with Reliability Standards and the Regional Business Practices developed by the CAISO, WECC, NERC, and the individual utility.³ These Standards require that the potential “loss” of transmission lines (both proposed and existing lines) be analyzed and the transmission system be designed to continue to function if a “loss” occurs. A transmission line would be considered “lost” when removed from service due to planned or unplanned events. In accordance with these Reliability Standards, SCE must utilize acceptable measures to ensure electric system reliability is maintained in the event of a loss of one or more transmission lines within the same transmission corridor. Depending

¹ NERC’s transmission planning standards are available at: http://www.nerc.com/files/TPL-001-0_1.pdf; <http://www.nerc.com/files/TPL-001-2.pdf>; and <http://www.nerc.com/files/TPL-003-0a.pdf>; and <http://www.nerc.com/files/TPL-004-0.pdf>.

² WECC’s Regional Business Practices are available at: <http://www.wecc.biz/library/Documentation%20Categorization%20Files/Regional%20Business%20Practices/TPL-001-WECC-RBP-2.pdf>

³ SCE’s transmission planning standards are available at https://www.sce.com/wps/wcm/connect/c827954f-98c8-4819-965f-f824f466fbb3/030413_InterconnectionHandbook.pdf?MOD=AJPERES.

on transmission planning studies, these measures may include installation of a SPS,¹ construction of additional facility upgrades, or both.

1.1.4 Support California’s Greenhouse Gas Reduction Program

With the signing of Assembly Bill (“AB”) 32², California has embarked on an ambitious program to reduce GHG emissions. The 2006 IEPR Update states that “achieving the state’s RPS goals is an essential component of California’s GHG emission reduction targets.”

Coolwater-Lugo would enable California to integrate renewable resources such as solar and wind, which could help the State of California achieve GHG emissions reduction targets by reducing reliance on energy sources that result in high levels of GHG emissions.

1.1.5 Support Federal Renewable Energy Mandate

Executive Order 13212, Actions to Expedite Energy-Related Projects, requires Federal agencies to expedite review of energy project applications.

The Energy Policy Act of 2005 (Title II, Sec. 211) requires the Department of Interior to approve at least 10,000 MW of renewable energy on public lands by 2015.

1.1.6 Support CREST, Re-MAT, and Rule 21 Projects

Under the CREST, created by California’s AB 1969 and SB 380, and as implemented by the CPUC, SCE is required to purchase power from SCE retail customers who own and operate an eligible renewable generator with a total effective generation capacity of not more than three MW. In addition, Re-MAT implements a renewable resource feed-in tariff program pursuant to California Public Utilities Code (PUC) Section 399.20 and CPUC Decision (D.) 12-05-035, D.13-01-041, and D.13-05-034. Furthermore, SCE customers have the option to generate their own power under SCE’s Rule 21 non-export program.

Since there is more generation than load in the Barstow, Inyokern, Kramer, and Owens Valley areas, any CREST and Re-MAT MW connecting to distribution voltages in these electrical areas would effectively be transferred to the transmission system, flow into Kramer Substation, and would ultimately need to be exported south of Kramer. Furthermore, Rule 21 projects would result in a decrease of local area load which would

¹ An SPS is designed to detect abnormal system conditions and take automatic, pre-planned, corrective action (other than the isolation of faulted elements) to provide acceptable system performance. SPS actions may result in reduction in load or generation, or changes in system configuration to maintain system stability, acceptable voltages, or acceptable facility loading.

² Cal. Health and Safety Code §§ 38500 to 38599 (2006)

increase the amount of net generation in this region thereby causing additional power to flow into Kramer Substation that would ultimately need to be exported south. Because the system in the South of Kramer area is already constrained, CREST and Rule 21 projects would further aggravate system reliability caused by the bottleneck associated with the two capacity constrained Kramer-Lugo 220 kV transmission lines. Small projects seeking export under CREST and Rule 21 have therefore been blocked from development and because of their size, have complained about the lack of transmission capacity in this region and their inability to develop.

1.1.7 Support Military Desire to Serve their Load under Rule 21

Several military installations within the Kramer Junction and Ridgecrest areas have expressed a desire to participate in Rule 21 projects in order to serve their site load for national security purposes. As previously stated, Rule 21 projects result in reduced local area load. This condition would cause more power to flow into Kramer Substation, which would ultimately need to be exported south. As Rule 21 projects materialize, an operating procedure to curtail (i.e., turn off) renewable resources may be required. Such a procedure would result in less renewable resources as they are curtailed; thus, adversely impacting the achievement of RPS goals. Coolwater-Lugo would provide additional transmission capacity that would help avoid reducing renewable resource projects, and would also allow military installations to participate in Rule 21 projects and address their national security concerns to serve their load.

1.1.8 Address City of Ridgecrest's Renewable Integration Concerns

The City of Ridgecrest is concerned about the Kramer-Lugo transmission bottleneck and the impact this constraint is having on their ability to add solar generation in their community, to support local military installation Rule 21 projects, and to create jobs. On May 10, 2011, SCE explained the Kramer-Lugo bottleneck constraint to the Ridgecrest City Council Planning Commission and proposed Coolwater-Lugo as a means to help create additional transmission capacity¹.

1.1.9 Facilitate Future Load Serving in the High Desert Apple Valley Region, particularly the Town of Apple Valley

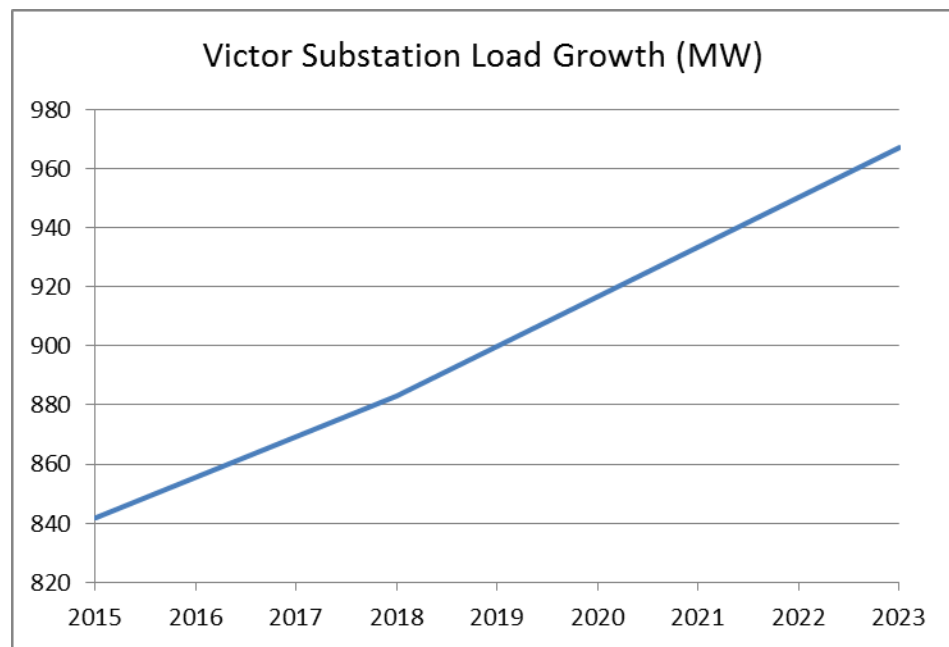
~~Apple Valley load is currently served out of SCE's Victor Substation, located in the City of Victorville, which is the only major load serving substation providing service to the entire High Desert Region. As load continues to grow in the High Desert Region, Victor Substation will reach its load serving limits thereby requiring a new major load serving substation. A new multipurpose 500/220/115/12 kV substation ("Desert View Substation") placed in an area with significant load, such as the growing Apple Valley load area, would provide the required load serving relief to Victor Substation. The proposed Desert View Substation, to be licensed as part of Coolwater-Lugo, is~~

¹ <http://ci.ridgecrest.ca.us/doclib/lib/Meetings/PC/Minutes/2011/5-10-11%20PC%20Minutes.pdf>

anticipated to be located approximately 16 miles east of Lugo Substation along the existing Lugo-Pisgah corridor. Since the last 16-mile segment of Coolwater-Lugo's Coolwater-Lugo transmission line into Lugo Substation would be 500 kV construction (initially energized at 220 kV), Coolwater-Lugo would facilitate construction of this proposed multipurpose substation by allowing a 500 kV connection to it without the need for an additional transmission line on new ROW in the future. The future 500 kV constructed, 220 kV operated transmission line that would connect Desert View Substation to Lugo Substation would later be switched to 500 kV operation when the 500 kV section of Desert View Substation is built out in the future.

SCE's Victor Substation, located in the City of Victorville, is the only major load-serving substation providing service to the entire High Desert Region which includes the Town of Apple Valley. As load continues to grow in the High Desert Region, Victor Substation will reach its load serving limits thereby requiring a new major load-serving substation. Figure 1.1-A depicts the Victor Substation load forecast from the 2013-2014 CAISO Transmission Plan¹, which is based on the California Energy Commission's 1-in-10 year load forecast.

Figure 1.1-A Victor Substation Load Growth

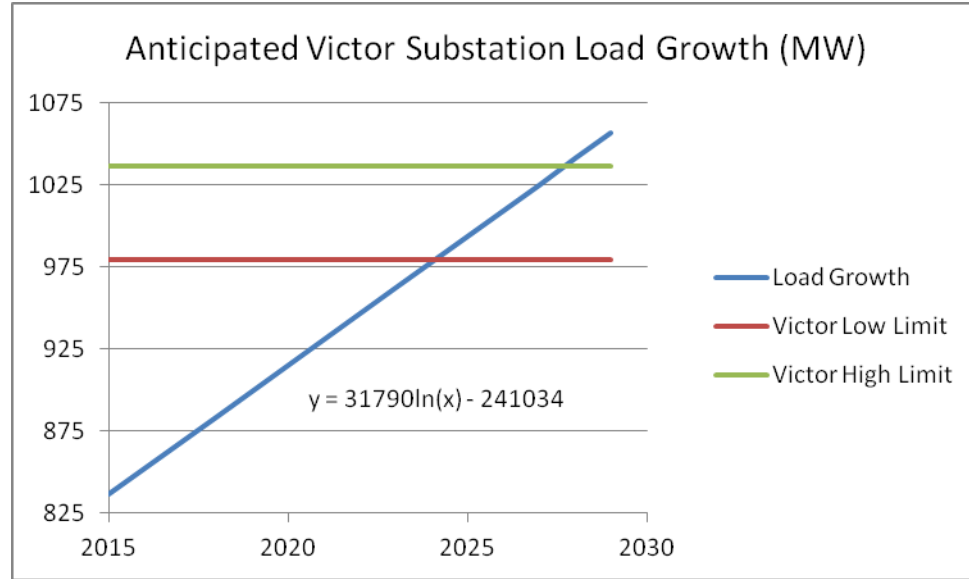


By plotting the load forecast data, the equation of the curve can be calculated and used to approximate the load forecast in the future. Victor Substation's load serving limit under a single contingency on one of its four high voltage transformers is between 979 MW to 1,042 MW. Based on this approximated future load forecast and the Victor Substation load serving limit range, a new Substation would be required in the High Desert area to

¹ <http://www.caiso.com/Documents/RevisedDraft2013-2014TransmissionPlan.pdf> (p. 115)

relieve Victor Substation between the approximate years 2025 and 2029, as depicted in Figure 1.1-B.

Figure 1.1-B Anticipated Victor Substation Load Growth



A new multipurpose 500/220/115/12 kV substation (“Desert View Substation”) placed in an area with significant load, such as the growing Town of Apple Valley, would provide the required load-serving relief to Victor Substation. The proposed Desert View Substation, to be licensed as part of Coolwater-Lugo, is anticipated to be located approximately 16 miles east of Lugo Substation along the existing Lugo-Pisgah corridor. The specific Desert View elements required to provide load serving relief to Victor Substation include the following major facilities, which would be phased in as necessary over the 2025 to 2029 time period, starting with the 220 kV and 115 kV facilities:

1. Extension of the Desert View 220 kV Switchrack
2. Installation of at least one of the planned four 220/115 kV transformers, two would be recommended to ensure service is maintained under loss of one of these transformers
3. A 115 kV switchrack
4. Looping of the existing Cottonwood-Savage 115 kV line¹ into the Desert View 115 kV Switchrack

¹ The Cottonwood-Savage 115 kV line is an existing line that runs east-west approximately 0.7 miles north of the proposed and alternate Desert View Substation sites.

5. Looping of the existing Apple Valley-Cottonwood-Pluess-Savage 115 kV line¹ into the Desert View 115 kV Switchrack
6. Installation of at least one of the planned four 115/12 kV transformers
7. A 12 kV switchrack
8. One or more 12 kV distribution lines from the Desert View 12 kV Switchrack into the nearby neighborhood surrounding Desert View Substation

Once the Desert View 115 kV Switchrack is in place, the Cottonwood-Savage and Apple Valley-Cottonwood-Pluess-Savage 115kV lines would be looped into the 115 kV Switchrack allowing Desert View to serve the load on these lines that was previously being served from Victor Substation. In addition, the future Desert View 12 kV Switchrack and future 12 kV distribution lines out of Desert View would serve local area load of the nearby expanding community.

Furthermore, since the last 16-mile segment of Coolwater-Lugo's Coolwater-Lugo transmission line into Lugo Substation would be 500 kV single circuit transmission line, with 2B-2156 ACSR conductor(initially energized at 220 kV), Coolwater-Lugo would facilitate construction of this proposed multipurpose substation by allowing a 500 kV connection to it without the need for an additional transmission line on new ROW in the future. The future 500 kV constructed, 220 kV operated transmission line that would connect Desert View Substation to Lugo Substation would later be switched to 500 kV operation when the 500 kV section of Desert View Substation is built out in the future.

1.1.10 Facilitate Reliability Improvements at Lugo Substation in the Lugo-Pisgah Transmission Corridor and at the Coolwater and Lugo Substations

~~Currently, eight 500 kV transmission lines terminate into SCE's Lugo Substation. Coolwater-Lugo would facilitate construction of a multipurpose 500/220/115/12 kV Desert View Substation which would allow future 500 kV transmission lines to be delooped out of Lugo Substation thus reducing the number of 500 kV transmission lines terminating at Lugo Substation and thereby improving overall system reliability.~~

~~In addition, a SPS is currently required to maintain loadings to within emergency limits under loss of either the Lugo No.1 or No.2 500/220 kV transformer banks, as well as maintain system stability under the loss of both the Lugo No.1 and No.2 500/220 kV transformer banks. Under loss of a single Lugo 500/220 kV transformer bank, the current SPS automatically disconnects (curtails) up to 850 MW of non-renewable resources and under loss of both Lugo 500/220 kV transformer banks, the SPS automatically disconnects (curtails) a significant amount of renewable and non-renewable generation in~~

¹ The Apple Valley-Cottonwood-Pluess-Savage 115 kV line is an existing line that runs east-west approximately 0.1 miles south of the proposed and alternate Desert View Substation sites.

the Barstow, Daggett, Inyokern, and Kramer areas to maintain system reliability and stability. As part of Coolwater-Lugo, a new Lugo No.3 500/220 kV transformer bank would be installed at Lugo Substation, thus reducing the severity under loss of a single Lugo 500/220 kV transformer bank and loss of both Lugo 500/220 kV transformer banks and would reduce the amount of Barstow, Inyokern, and Kramer area generation that needs to be curtailed during this type of event, thus increasing overall system reliability and stability.

Furthermore, this new Lugo No.3 500/220 kV transformer bank will also be required to handle the additional 1,000 MW of system capacity Coolwater-Lugo will provide. Coolwater-Lugo will create a new transmission path from Kramer to Lugo Substation and this additional power will need to be stepped up from 220 kV to 500 kV in order to be delivered to utility load centers. Since the existing Lugo No.1AA and No.2AA 500/220 kV transformers do not have sufficient capability to handle 1,000 additional MW, a third Lugo 500/220 kV transformer will need to be installed as part of Coolwater-Lugo to avoid base case thermal overloads.

The existing Lugo-Pisgah No.1 and No.2 220 kV transmission lines currently have line protection that meets existing CAISO, NERC, and WECC reliability criteria, but which is not aligned with SCE's current line protection standards. Since Coolwater-Lugo would tear down and rebuild approximately 29.1 miles of the Lugo-Pisgah No. 1 220 kV line and also tear down approximately 16.0 miles of the existing Lugo-Pisgah No.2 220 kV line, the line protection from Lugo to Pisgah Substations will need to be upgraded to current SCE standards, which will reduce fault clearing times and improve overall system reliability. Specifically, the existing directional and ground-over-current and step distance protection provided by the existing electromechanical relays on the existing Lugo-Pisgah No.1 and No.2 220 kV lines would be replaced by G.E. L90 and SEL-311L relays with new telecom circuits to provide high speed fault clearing. High speed fault clearing helps to reduce damage to power system equipment, injury to SCE personnel and the public, and extended and widespread outages because the faults are detected and isolated more quickly thus minimize their effect on the system.

The Coolwater 220 kV Switchrack is currently a radial facility not under CAISO control. Construction of Coolwater-Lugo would convert the Coolwater 220 kV Switchrack from a radial facility to a network facility, which would then be under CAISO control. The Coolwater-Lugo work at the Coolwater 220 kV Switchrack would include augmenting the existing disconnect switches on switch rack positions 1, 3, and 6 with circuit breakers in order to isolate faults on those positions from affecting the rest of the Switchrack. Adding circuit breakers to these rack positions would convert them to "double bus double breaker" positions, which is SCE's 220 kV design standard. This arrangement ensures reliability is maintained under outage conditions (forced outage or during maintenance) since it allows for the loss of equipment connected to the substation without affecting all other facilities connected to the substation during such an outage condition. These upgrades would increase the reliability of the Coolwater 220 kV Switchrack in its new network configuration, would simplify future additions, minimize loss of station capacity during forced or planned outages, and improve the selectivity of the system protection.

Moreover, there are currently eight 500 kV transmission lines that terminate at SCE's Lugo Substation. Per the CAISO's 2010-2011¹ and 2011-2012² Transmission Plans, loss of the entire Lugo 500/220 kV Substation would cause the north of Lugo system to be unstable. To restore system synchronism, extensive generation tripping in the North of Lugo area and load tripping in the LA Basin would be required. Coolwater-Lugo would facilitate construction of a multipurpose 500/220/115/12 kV Desert View Substation which would allow future 500 kV transmission lines to be delooped out of Lugo Substation thus reducing the number of 500 kV transmission lines terminating at Lugo Substation. This would allow 500 kV system connections to remain which would result in improving overall system reliability by reducing the amount of generation and load that would be need to be tripped under the loss of Lugo Substation.

1.1.11 Meet Project Purpose & Objectives while Minimizing Environmental Effects

In compliance with the California Environmental Quality Act ("CEQA") and the National Environmental Policy Act ("NEPA"), Coolwater-Lugo includes and analyzes site and route alternatives that meet the project purpose and objectives while minimizing potential environmental effects. Specific approaches to minimizing environmental effects include:

- a) Maximizing the use of existing, previously disturbed corridors to minimize potential effects on previously undisturbed land and resources;
- b) Selecting site, route, and structure locations with the lowest potential for environmental impacts while still meeting project objectives; and,
- c) Selecting site, route, and structure locations that minimize potential environmental impacts and project costs.

1.2 Project Need

Coolwater-Lugo is needed to interconnect and deliver energy from renewable resources located in the Barstow, Inyokern, Kramer, Lucerne Valley, and Owens Valley areas in a way that complies with all applicable NERC/WECC Planning Standards. All new generation interconnection requests are shown in Tables 1.0-A and 1.0-B. The interconnection studies conducted as mandated by the CAISO Large Generator Interconnection Procedures ("LGIP") and SCE's Wholesale Distribution Access Tariff ("WDAT") have determined that the existing 220 kV transmission lines which connect SCE's Kramer Substation with SCE's Lugo Substation are inadequate to provide for the level of service requested by new planned generation interconnections.

¹ http://www.caiso.com/Documents/110518Decision_TransmissionPlan-RevisedDraftPlan.pdf

² http://www.caiso.com/Documents/Decision_2011-12TransmissionPlan-Plan-MAR2012.pdf

The studies identified that without transmission upgrades, the inclusion of additional generation resources in the Barstow, Inyokern, Kramer, and Owens Valley areas would result in unacceptable thermal overload conditions on the existing Kramer-Lugo No.1 and No.2 220 kV transmission lines due to existing facility limitations. The conclusion of the studies was that these two transmission lines would present a bottleneck that would limit the amount of generation output from the new generation resources to be located in SCE's Kramer Junction area that can be delivered to the utility load centers. ~~In addition, generation pursuing development in the Lucerne Valley area would face a similar bottleneck since the existing Lugo-Pisgah No.1 220 kV transmission line that passes through this area is composed of 605 thousand circular mils ("kcmil") aluminum conductor steel reinforced ("ACSR") conductor with no emergency capability due to line clearance and would be unable to support the 320 MW of queued generation in the Lucerne Valley area or provide sufficient capacity to support the proposed Coolwater-Lugo 220 kV transmission line.~~ In addition, generation pursuing development in the Lucerne Valley area would face a similar bottleneck since the existing Lugo-Pisgah No.1 220 kV transmission line that passes through this area is composed of 605 kcmil ACSR conductor with no emergency capability due to line clearance and would be unable to support the 260 MW of queued generation in the Lucerne Valley area along with existing resources utilizing the transmission line or provide sufficient capacity to support the proposed Coolwater-Lugo 220 kV transmission line.

In order for investor-owned utilities, including retail sellers of electricity such as SCE, to satisfy the RPS goals to increase their sale of electricity produced by renewable energy sources by at least one percent per year, achieving 33 percent by 2020, new transmission facilities would be required to interconnect remote areas of high renewable generation concentration and new transmission would be required to eliminate bottlenecks that would preclude delivery of energy produced from these renewable resources to the utility load centers. The generation interconnection studies identified a transfer capability bottleneck associated with the two Kramer-Lugo 220 kV transmission lines and the existing Lugo-Pisgah No.1 220 kV transmission line which would jeopardize new renewable energy project development.

The state-mandated RPS by definition is based on the actual MW capacity sale. The identified transfer capability bottleneck south of SCE's Kramer Substation and bottleneck in the Lucerne Valley area prevent the sale of the renewable power to customers. To achieve the mandated RPS goals, Coolwater-Lugo is needed to remove the bottleneck limitations and to increase transfer capability from renewable resources into customer areas by creating a new transmission path from Kramer to Lugo Substations and by rebuilding a portion of the existing Lugo-Pisgah No.1 220 kV transmission line from the Lucerne Valley area west to Lugo Substation. Without Coolwater-Lugo, the new generation located in the Barstow, Inyokern, Kramer, Lucerne Valley, and Owens Valley areas could not be deemed deliverable and would be subjected to significant curtailment to avoid overloading the two existing Kramer-Lugo 220 kV transmission lines and the existing Lugo-Pisgah No.1 220 kV transmission line and avoid system stability issues identified in System Impact Studies.

1.3 Basic Objectives

CEQA (Pub. Res. Code § 21000, et seq.) and Section 15126.6 (a) of the CEQA Guidelines¹ require the consideration of a reasonable range of alternatives to a proposed project, or the location of a proposed project, that would feasibly attain most of the basic objectives of the project but would avoid or substantially lessen any of the significant effects of the project. Section 15126.6 (a) of the CEQA Guidelines also requires that the comparative merits of the alternatives be evaluated. In order to develop a reasonable range of alternatives, Section 15124(b) of the CEQA Guidelines requires that a clearly written statement of objectives be prepared for a proposed project that demonstrates the objectives sought to be achieved by the project and includes the underlying purpose of the project. The range of potential alternatives selected for evaluation shall “include those that could feasibly accomplish most of the basic objectives of the project and could avoid or substantially lessen one or more of the significant effects.”² In addition to the purposes described in the section 1.1 above, SCE has identified the following objectives for meeting Coolwater-Lugo’s purpose and need described in this chapter:

1. Facilitate SCE and other California utilities ~~achievement~~ achieving and maintaining of California’s RPS in an expedited manner;
2. Provide transmission facilities identified as necessary for the full delivery of 1) a ~~250~~ 275 MW renewable generation project located in the Barstow area; 2) future generation resources in the Barstow, Inyokern, Kramer, Lucerne Valley/future Jasper Substation, Town of Apple Valley, and Owens Valley areas;
3. Comply with all applicable reliability planning criteria required by the CAISO, the NERC, and the WECC;
4. Support California’s GHG Reduction Program;
5. Support BLM compliance with the Federal Renewable Energy Mandate;
6. Provide transmission facilities in a timely manner that would facilitate the interconnection of CREST, Re-MAT, and Rule 21 projects;
7. Provide transmission facilities that facilitate the Department of Defense meeting their Energy Mandate of producing or procuring 25% of their total energy from renewable energy sources beginning in 2025 as outlined under the National Defense Authorization Act of 2010;³
8. Address transmission capacity concerns from the City of Ridgecrest;

¹ See Cal. Code Regs., tit. 14, §15000, et seq.

² Cal. Code Regs., tit. 14, §15126.6(c).

³ See http://www.govenergy.com/2010/Files/Presentations/Renewables/2010_GovEnergy_Tindal.pdf

9. License a new multipurpose 500/220/115/12 kV Desert View Substation southeast of the Town of Apple Valley to facilitate load serving, reliability, and future generation interconnections;¹
10. Construct facilities in an orderly, rational, and cost-effective manner to maintain reliable electric service and by minimizing service interruptions during construction;
11. Minimize potential environmental impacts through selection of transmission routes and substation site locations; including maximizing the use of existing transmission corridors in order to minimize potential effects on previously undisturbed land and resources², and where existing ROW is not available, utilize the shortest route that minimizes potential environmental impacts;
12. Meet project needs in a cost-effective and timely manner; and,
13. Design and construct the project in conformance with SCE's current engineering, design, and construction standards for substation, transmission, subtransmission, and distribution system projects.

These objectives have guided SCE in developing a range of reasonable alternatives to Coolwater-Lugo, or to the location of Coolwater-Lugo, which would feasibly attain most of the basic project objectives.

1.4 Electrical System Alternatives

System alternatives were developed as part of the serial and cluster generation interconnection study processes. This section describes the process SCE used to develop the system alternatives for Coolwater-Lugo and to select the system alternative for Coolwater-Lugo for recommendation to the CPUC and the BLM. This section provides a description of each system alternative (including the No Project Alternative) and discusses the ability of each of these system alternatives to meet Project objectives, purpose, and need. Also included is the rationale for either eliminating an alternative or carrying it forward. Substation site and transmission route alternatives are discussed in

¹ The proposed Desert View Substation would be initially constructed with only the facilities needed to support the transmission line from Coolwater to Lugo. Similar to SCE's Antelope Substation and Windhub Substation, SCE is seeking to license the full build out of Desert View Substation, which would include 500/220/115/12 kV facilities needed for anticipated load serving in the High Desert Region, particularly the Town of Apple Valley, reliability, and future generation interconnection purposes.

² See Garamendi Principles (Senate Bill 2431, Stats. 1988, Ch. 1457) regarding State transmission siting policies, including; 1) encourage the use of existing rights-of-way by upgrading existing transmission facilities where technically and economically justifiable; 2) when construction of new transmission lines is required, encourage expansion of existing right-of-way, when technically and economically feasible; 3) provide for the creation of new rights-of-way when justified by environmental, technical, or economic reasons as determined by the appropriate licensing agency; 4) where there is a need to construct additional transmission capacity seek agreement among all interested utilities on the efficient use of that capacity.

Chapter 2. CEQA does not require in-depth analysis of all potential system alternatives, but specifies that a reasonable range of system alternatives be considered and evaluated that will foster informed decision making and public participation.¹

This section begins with a description of the approach to the initial system alternatives selection, discusses requirements of CEQA and NEPA, and then provides descriptions of system alternatives eliminated and retained for evaluation in this Proponent's Environmental Assessment ("PEA"). While the CAISO is responsible for providing open and non-discriminatory access to the CAISO controlled Grid in California, the CPUC retains exclusive jurisdiction over the siting of CAISO approved transmission projects within the State of California and is the lead agency with respect to such project elements within California under CEQA. Therefore, in the Application of which this PEA is a part, SCE seeks from the CPUC a Certificate of Public Convenience and Necessity ("CPCN") in accordance with CPUC General Order 131-D. If approved by the CPUC, the CPCN would identify the substation site and transmission route for Coolwater-Lugo, based on the environmental review of SCE's site and route alternatives, as required by CEQA, and would authorize construction of Coolwater-Lugo (including any modifications to the project approved by the CPUC), consistent with Public Utilities Code Section 1001. This PEA includes a detailed environmental analysis of SCE's Coolwater-Lugo, together with other information required by CPUC rules, in order to assist the CPUC in preparing its Initial Study of Coolwater-Lugo pursuant to CEQA. Also, since most of the Project Study Area is located on land under the jurisdiction of the BLM, SCE would need to file a ROW application separately with the BLM and obtain a permit to construct from the BLM.

Based on SCE's evaluation of Coolwater-Lugo's basic objectives and its potentially significant environmental effects, the principal Project system alternatives SCE has considered and evaluated below are:

- System Alternative 1 – Coolwater-Pisgah 220 kV Transmission Line
- System Alternative 2 – Rebuilding the Existing Kramer-Lugo 220 kV Transmission Lines
- System Alternative 3 – Reconductoring the Existing Kramer-Lugo 220 kV Transmission Lines
- System Alternative 4 – Kramer-Lugo No.3 220 kV Transmission Line
- System Alternative 5 – Kramer-Llano 500 kV Transmission Line
- System Alternative 6 – Kramer-Llano 500 kV Transmission Line and Rebuild of Lugo-Pisgah No.1 220 kV Transmission Line

¹ See CEQA Guidelines § 15126.6(a).

- System Alternative 7 – AV Clearview Transmission Proposal – Baseline Case
- System Alternative 8 – AV Clearview Transmission Proposal – Expanded Case
- System Alternative 9 - No Project Alternative

1.4.1 System Alternative 1 – Coolwater-Pisgah 220 kV Transmission Line

Description: A Coolwater-Pisgah 220 kV transmission line would require the acquisition of new ROW and the construction of approximately 28 miles of new double-circuit single-strung 220 kV transmission line from the existing Coolwater 220 kV Switchyard, located in Daggett, to Pisgah Substation, which is located east of Newberry Springs. This new Coolwater to Pisgah 220 kV transmission line path would redirect a portion of the power from Kramer Substation and the Coolwater 220 kV Switchyard southeast to Pisgah Substation and then west to Lugo Substation. This new transmission path would attempt to off-load the existing transmission capacity limited Kramer-Lugo No.1 and No.2 220 kV transmission lines in an effort to create additional transmission capacity.

Project Objectives, Feasibility, and Environmental Considerations: Due to the increased electrical path impedance associated with rerouting power from Kramer Substation and the Coolwater 220 kV Switchyard all the way east to Pisgah Substation and then back west to Lugo Substation, a Coolwater-Pisgah 220 kV transmission line would not alleviate the Kramer-Lugo No.1 and No.2 220 kV transmission line constraints. In fact, if additional resources are interconnected to the Pisgah Substation, this alternative would result in additional flows on the already constrained Kramer-Lugo 220 kV transmission lines.

Because a Coolwater-Pisgah 220 kV transmission line would not eliminate the existing Kramer to Lugo transmission capacity bottleneck, this alternative would not provide the additional transmission system capacity to interconnect and integrate new generation resources that ultimately require transmission capacity south of Kramer and allow compliance with California's RPS (Objective 1 – Facilitate SCE and other California utilities achievement of California's RPS). Alternative 1 would not provide the necessary transmission capacity to fully integrate the ~~250~~275 MW generation project seeking interconnection in the Barstow area and additional future generation resources in the Barstow, Inyokern, Kramer, Lucerne Valley, and Owens Valley areas (Objective 2 – Provide transmission that would facilitate the full delivery a ~~250~~ 275 MW renewable generation project and future generation resources in the Barstow, Inyokern, Kramer, Lucerne Valley/future Jasper Substation, Town of Apple Valley, and Owens Valley areas) or facilitate the interconnection of CREST, Re-MAT, and Rule 21 projects (Objective 6 – Facilitate CREST, Re-MAT, and Rule 21 projects). In addition, this alternative does not facilitate the Department of Defense meeting their Energy Mandate of producing or procuring 25% of their total energy from renewable energy sources beginning in 2025 (Objective 7 – Facilitate the Department of Defense meeting their Energy Mandate) or address transmission capacity concerns from the City of Ridgecrest

(Objective 8 – Address transmission capacity concerns from the City of Ridgecrest). Finally, this alternative does not site a new Desert View Substation to facilitate load serving, reliability, and future generation interconnections (Objective 9 – Site a new multipurpose substation to facilitate load serving, reliability, and future generation interconnections ~~provide reliability and support load growth in the Apple Valley area~~). Because System Alternative 1 fails to achieve most of the basic Coolwater-Lugo objectives, it was eliminated from further consideration.

1.4.2 System Alternative 2 – Rebuilding the Existing Kramer-Lugo 220 kV Transmission Lines

Description: Rebuilding the existing 220 kV lines between the existing Kramer and Lugo Substations would involve tearing down and removing the existing 220 kV facilities and replacing them with higher capacity 220 kV or 500 kV facilities. Rebuilding the existing Kramer-Lugo 220 kV lines with 220 kV facilities would not involve the expansion of Kramer Substation and would be developed within existing ROW. However, rebuilding the Kramer-Lugo 220 kV lines with 500 kV facilities would require approximately 92 additional acres to accommodate for the full build-out of a standard SCE designed 500/220 kV substation. Facilities to support a new Kramer-Lugo 500 kV transmission line would require a 500 kV operating bus, a 500/220 kV transformer bank, a Mechanical Electrical Equipment Room (“MEER”), and the installation of additional ancillary equipment including but not limited to circuit breakers, disconnect switches, conductor, and system protection. The acquisition of new ROW around Kramer Substation and Lugo Substation would also be required to route the new 500 kV line from the existing Kramer-Lugo corridor to the 500 kV buses at Kramer and Lugo Substations.

Project Objectives, Feasibility, and Environmental Considerations: Rebuilding the Kramer-Lugo 220 kV transmission lines with higher capacity 220 kV or 500 kV facilities would require the complete removal of the existing 220 kV facilities (approximately 48 miles) and the installation of new higher capacity 220 kV or 500 kV facilities. However, SCE is precluded from taking a long-term outage on both the Kramer-Lugo No.1 and No.2 220 kV transmission lines in order to rebuild them due to RPS, financial, reliability, and load serving concerns.

Under the outage of both the Kramer-Lugo No.1 and No.2 220 kV transmission lines, there would be insufficient transmission capacity for the existing 1,729¹ MW of Kramer area generation. Consequently, significant amounts of the Kramer area generation would need to be curtailed to maintain a balance between local area load and generation. Since most generation in the Kramer area is renewable in nature, this prolonged curtailment of renewable resources would negatively impact SCE’s RPS requirements. Moreover, over 900 MW of generation resources in the North of Kramer area have qualified facilities contracts in place with SCE and SCE could be required to pay these generators for lost production during a prolonged outage, which would cause an unnecessary financial

¹ <http://www.caiso.com/Documents/AppendixABoardApproved2012-2013TransmissionPlan.pdf>

burden to SCE ratepayers. Furthermore, system reliability could not be guaranteed under the long term outage of both the Kramer-Lugo No.1 and No.2 220 kV transmission lines because SCE would be unable to mitigate certain additional single or double contingency outages while in this system condition. Single contingency outages on the 115 kV subtransmission lines between the Kramer and Victor Substations or on the Kramer No.1 or No.2 220/115 kV transformers would cause thermal overloads on some of the remaining local facilities. In addition, a double contingency outage on both 115 kV subtransmission lines, supported on a common structure, between Kramer and Victor Substations would effectively disconnect the entire Kramer Area from the rest of the SCE system causing the Kramer area transmission system to become unstable, resulting in localized blackouts thereby jeopardizing SCE's ability to provide reliable load service.

Because SCE cannot take a long term outage on both 220 kV lines to remove and rebuild them due to reasons stated above, System Alternative 2 could not be developed unless there was an already established alternative transmission system between Kramer and Lugo Substations that could reliably serve load¹ (such as the system proposed by Coolwater-Lugo). Thus, this alternative would not allow compliance with California's RPS (Objective 1 – Facilitate SCE and other California utilities achievement of California's RPS) or support California's GHG reduction program (Objective 4 – Support California's GHG reduction program) because it would require the curtailment of renewable resources. Alternative 2 would not interconnect and integrate the 250275 MW generation project seeking interconnection in the Barstow area and additional future generation resources in the Barstow, Inyokern, Kramer, Lucerne Valley, and Owens Valley areas (Objective 2 – Provide transmission that would facilitate the full delivery of a 250275 MW renewable generation project and future generation resources in the Barstow, Inyokern, Kramer, Lucerne Valley/future Jasper Substation, Town of Apple Valley, and Owens Valley areas), would not facilitate the interconnection of CREST and Rule 21 projects (Objective 6 – Facilitate CREST, Re-MAT, and Rule 21 projects), would not facilitate the Department of Defense meeting their Energy Mandate of producing 25% of their total energy from renewable energy sources (Objective 7 – Facilitate the Department of Defense meeting their Energy Mandate), or address transmission capacity concerns from the City of Ridgecrest (Objective 8 – Address City of Ridgecrest transmission capacity concerns) because this alternative is not able to be

¹ Pursuant to Cal. Pub. Util. Code § 451 "Every public utility shall furnish and maintain such adequate, efficient, just, and reasonable service, instrumentalities, equipment, and facilities, including telephone facilities, as defined in Section 54.1 of the Civil Code, as are necessary to promote the safety, health, comfort, and convenience of its patrons, employees, and the public." Further, Cal. Pub. Util. Code § 330 (g) provides that "Reliable electric service is of utmost importance to the safety, health, and welfare of the state's citizenry and economy. It is the intent of the Legislature that electric industry restructuring should enhance the reliability of the interconnected regional transmission systems, and provide strong coordination and enforceable protocols for all users of the power grid." Generally, the CPUC provides the following language in regards to a utility's obligation to serve: "The utilities' obligation to serve their customers is mandated by state law and is part and parcel of the entire regulatory scheme under which the utilities received a franchise and under which the CPUC regulates utilities under the Public Utilities Act. (See, e.g., Pub. Util. Code §§ 451, 761, 762, 768, and 770)"

constructed without an established alternative transmission system between Kramer and Lugo Substations in place.

Moreover, Alternative 2 would not comply with applicable reliability planning criteria required by the CAISO, the NERC, and the WECC (Objective 3 – Comply with all applicable reliability planning criteria) and would not construct facilities in a manner which would maintain reliable electric service and minimize service interruptions during construction (Objective 10 construct facilities to maintain reliable electric service and minimize service interruptions). ~~Finally, Alternative 2 would not site a new Desert View Substation to facilitate load serving, reliability, and future generation interconnections (Objective 9 – Site a new multipurpose substation to facilitate load serving, reliability, and future generation interconnections provide reliability, and support load growth and generation interconnections in the Apple Valley area).~~

In addition, future expansion of Kramer Substation with 500 kV facilities may not be possible due to Caltrans' proposed State Route 58 ("SR-58") Kramer Junction Expressway Project.¹ This proposed Caltrans Project would widen and realign a 13.3-mile segment of SR-58 centered on Kramer Junction, where SR-58 intersects with US-395, in San Bernardino County. The four possible build alternatives are located on the Caltrans SR-58 Kramer Junction Expressway Project website.² All of these four alternatives would negatively impact the expansion of Kramer Substation to 500 kV and/or possible line routing to Kramer Substation. These complications would delay Coolwater-Lugo's operating date, increase its cost, and possibly negatively impact access to Kramer Substation.

Because System Alternative 2 fails to achieve most of the basic Coolwater-Lugo objectives, it was eliminated from further consideration.

1.4.3 System Alternative 3 – Reconductoring the Existing Kramer-Lugo 220 kV Transmission Lines

Description: Reconductoring the existing 220 kV lines between the Kramer and Lugo Substations would involve replacing the existing low capacity conductor with new higher capacity conductor.

Project Objectives, Feasibility, and Environmental Considerations: The existing Kramer-Lugo No.1 and No.2 220 kV transmission lines are strung with 1,033 kcmil ACSR conductor and the existing tower structures are not designed to accommodate SCE's current standard design 220 kV higher capacity conductor, which is two bundled 1,590 kcmil ACSR (2B-1590 ACSR). Reconducting the existing 220 kV transmission lines

¹ http://dot.ca.gov/dist8/projects/san_bernardino/sr58/kramerjunction/index.htm

²

http://dot.ca.gov/dist8/projects/san_bernardino/sr58/kramerjunction/pdf/Alternative%20Project%20Routes.pdf

with 1,590 kcmil ACSR would equate to a complete tear down and rebuild, which is explained in System Alternative 2.

However, the existing lines could be reconductored with new high temperature low sag conductor that would have similar mechanical properties (weight, tension, cross-sectional area, etc.) as the existing 220 kV lines in order to accommodate the existing transmission tower structural limitations. High temperature low sag conductor, such as Curlew 1,033 kcmil aluminum conductor steel supported (“ACSS”) conductor, has a higher allowable ampacity than ACSR conductor, but the resistance, reactance, and line charging characteristics of ACSS conductor are essentially equivalent to ACSR conductor. Use of ACSS conductor would therefore result in increased power flows without improvements to voltage stability or dynamic stability due to an increased voltage phase angle. Since the Kramer area is also a stability limited transmission area, a Special Protection System is currently in place to mitigate against this concern which would occur under certain local single and double contingency outages. Reconductoring the existing Kramer-Lugo No.1 & No.2 220 kV transmission lines with high temperature low sag conductor would degrade the voltage and stability performance below existing conditions, which would increase the chance of the Kramer area transmission system going unstable under certain outages, resulting in localized black outs and thereby jeopardizing SCE’s ability to provide reliable load service. In addition, one Kramer-Lugo 220 kV transmission line cannot be reconductored while the remaining line is left in-service due to concerns over safe working clearances. As explained in System Alternative 2, SCE is precluded from taking a long-term outage on both the Kramer-Lugo No.1 and No.2 220 kV transmission lines in order to rebuild them due to RPS, financial, reliability, and load serving concerns.

Because the existing Kramer-Lugo 220 kV structures cannot support SCE’s current standard design 220 kV higher capacity conductor and because SCE cannot take a long term outage on both 220 kV lines to remove and rebuild them due to reasons stated above in the System Alternative 2 explanation, System Alternative 3 could not be developed unless there was an already established alternative transmission system between Kramer and Lugo Substations that could reliably serve load¹, such as the system proposed by Coolwater-Lugo. Thus, this alternative would not allow compliance with California’s RPS (Objective 1 – Facilitate SCE and other California utilities achievement of California’s RPS) or support California’s GHG reduction program (Objective 4 – Support

¹ Pursuant to Cal. Pub. Util. Code § 451 "Every public utility shall furnish and maintain such adequate, efficient, just, and reasonable service, instrumentalities, equipment, and facilities, including telephone facilities, as defined in Section 54.1 of the Civil Code, as are necessary to promote the safety, health, comfort, and convenience of its patrons, employees, and the public." Further, Cal. Pub. Util. Code § 330 (g) provides that "Reliable electric service is of utmost importance to the safety, health, and welfare of the state's citizenry and economy. It is the intent of the Legislature that electric industry restructuring should enhance the reliability of the interconnected regional transmission systems, and provide strong coordination and enforceable protocols for all users of the power grid." Generally, the CPUC provides the following language in regards to a utility's obligation to serve: "The utilities' obligation to serve their customers is mandated by state law and is part and parcel of the entire regulatory scheme under which the utilities received a franchise and under which the CPUC regulates utilities under the Public Utilities Act. (See, e.g., Pub. Util. Code §§ 451, 761, 762, 768, and 770)"

California's GHG reduction program) because it would require the curtailment of renewable resources. Alternative 3 would not interconnect and integrate the ~~250~~275MW generation project seeking interconnection in the Barstow area and additional future generation resources in the Barstow, Inyokern, Kramer, Lucerne Valley, and Owens Valley areas (Objective 2 – Provide transmission that would facilitate the full delivery a ~~250~~275MW renewable generation project and future generation resources in the Barstow, Inyokern, Kramer, Lucerne Valley/future Jasper Substation, Apple Valley, and Owens Valley areas), would not facilitate the interconnection of CREST and Rule 21 projects (Objective 6 – Facilitate CREST, Re-MAT, and Rule 21 projects), would not facilitate the Department of Defense meeting their Energy Mandate of producing 25% of their total energy from renewable energy sources (Objective 7 – Facilitate the Department of Defense meeting their energy mandate), or address transmission capacity concerns from the City of Ridgecrest (Objective 8 – Address City of Ridgecrest transmission capacity concerns) because this alternative is not able to be constructed without an established alternative transmission system between Kramer and Lugo Substations in place.

Moreover, Alternative 3 would not comply with applicable reliability planning criteria required by the CAISO, the NERC, and the WECC (Objective 3 – Comply with all applicable reliability planning criteria) and would not construct facilities in a manner which would maintain reliable electric service and minimize service interruptions during construction (Objective 10 construct facilities to maintain reliable electric service and minimize service interruptions) due to the extended outage required for construction and because use of high temperature low sag conductor would result in degraded voltage stability and dynamic stability characteristics. ~~Finally~~, Alternative 3 would not include a new Desert View Substation to facilitate load serving, reliability, and future generation interconnections (Objective 9 – License a new multipurpose substation to facilitate load serving, reliability, and future generation interconnections ~~provide reliability, and support load growth and generation interconnections in the Apple Valley area~~).

In addition, Caltrans' proposed SR-58 Kramer Junction Expressway Project¹ would widen and realign a 13.3-mile segment of SR-58 centered on Kramer Junction, where SR-58 intersects with US-395, in San Bernardino County. The four possible build alternatives are located on the Caltrans SR-58 Kramer Junction Expressway Project website². All of these four alternatives would negatively impact possible line routing to Kramer Substation under this system alternative. These complications would delay Coolwater-Lugo's operating date, increase its cost, and possibly negatively impact access to Kramer Substation.

Because System Alternative 3 fails to achieve most of the basic Coolwater-Lugo objectives, it was eliminated from further consideration.

¹ http://dot.ca.gov/dist8/projects/san_bernardino/sr58/kramerjunction/index.htm

² http://dot.ca.gov/dist8/projects/san_bernardino/sr58/kramerjunction/pdf/Alternative%20Project%20Routes.pdf

1.4.4 System Alternative 4 – Kramer-Lugo No.3 220 kV Transmission Line

Description: Installing a new Kramer-Lugo No.3 220 kV transmission line parallel to the existing Kramer-Lugo No.1 and No.2 transmission lines would involve expanding the existing ROW and the construction of approximately 48 miles of new double-circuit single-strung 220 kV transmission line from the existing Kramer Substation to the existing Lugo Substation. Due to approximately 18 miles of structures located on either side of the ROW from the City of Adelanto south to the City of Hesperia, a new Kramer-Lugo No.3 220 kV transmission line would require new ROW that may already be encumbered with residential and/or commercial buildings.

Project Objectives, Feasibility, and Environmental Considerations: A new Kramer-Lugo No. 3 220 kV line could integrate new generation resources in the Barstow, Inyokern, Kramer, and Owens Valley areas, but would not integrate future generation resources in the Lucerne Valley area (Objective 2 – Provide transmission that would facilitate the full delivery of future generation resources in the Lucerne Valley/future Jasper Substation and Apple Valley areas). ~~In addition,~~ Alternative 4 would not include a future multipurpose 500/220/115/12 kV Desert View Substation to facilitate load serving, reliability, and future generation interconnections (Objective 9 – License a new multipurpose substation to facilitate load serving, reliability, and future generation interconnections). ~~Finally,~~ The development of a contiguous route between Kramer and Lugo Substations may not be achievable due to approximately 18 miles of obstructions along the existing ROW from the City of Adelanto to the City of Hesperia. As a result, a new Kramer-Lugo No.3 220 kV transmission line would most likely not meet the project needs in a cost effective or timely manner due to requiring new ROW that may already be encumbered with residential and/or commercial buildings (Objective 12 – Meet project needs in a cost-effective and timely manner).

In addition, Caltrans' proposed SR-58 Kramer Junction Expressway Project¹ would widen and realign a 13.3-mile segment of SR-58 centered on Kramer Junction, where SR-58 intersects with US-395, in San Bernardino County. The four possible build alternatives are located on the Caltrans SR-58 Kramer Junction Expressway Project website². All of these four alternatives would negatively impact possible line routing to Kramer Substation under this system alternative. These complications would delay Coolwater-Lugo's operating date, increase its cost, and possibly negatively impact access to Kramer Substation.

Therefore, System Alternative 4 was eliminated from further consideration.

¹ http://dot.ca.gov/dist8/projects/san_bernardino/sr58/kramerjunction/index.htm

² http://dot.ca.gov/dist8/projects/san_bernardino/sr58/kramerjunction/pdf/Alternative%20Project%20Routes.pdf

1.4.5 System Alternative 5 – Kramer-Llano 500 kV Transmission Line

Description: A Kramer-Llano 500 kV transmission line alternative would include expansion of the existing Kramer Substation with 500 kV facilities, a new 40-mile single-circuit 500 kV transmission line, a new 500 kV switching station near the City of Llano, and new telecommunication facilities. Expansion of the existing Kramer Substation with 500 kV facilities would require approximately 92 additional acres adjacent to the existing Kramer Substation to accommodate for the full build-out of a standard SCE designed 500/220 kV substation. Facilities to support a new Kramer-Llano 500 kV transmission line would require a 500 kV operating bus, a 500/220 kV transformer bank, a MEER, and the installation of additional ancillary equipment including but not limited to circuit breakers, disconnects, conductor, and system protection. In addition, this substation expansion would require the relocation of approximately two miles of the existing Kramer-Rocket Test 115 kV subtransmission line on expanded or new ROW.

A new Kramer-Llano 500 kV transmission line would require new or expanded ROW from Kramer Substation, south along the west side of Highway 395 for approximately 12 miles. The new 500 kV transmission line would then turn southwest towards Lake Los Angeles for approximately 16 miles and then turn directly south for approximately 12 miles on new ROW to interconnect into a new 500 kV switching station tentatively called Llano. This new Llano Switching Station would be connected to the system by looping one or both of the existing Lugo-Vincent 500 kV transmission lines to provide a system connection for the new 500 kV transmission line from Kramer Substation, in order to create a new electrical path from Kramer Substation to the existing Lugo and Vincent substations. A new Llano Switching Station would require approximately 9 acres of land for a 500 kV switch rack, a MEER, and the installation of additional ancillary equipment including but not limited to circuit breakers, disconnects, conductor, and system protection together with telecommunications needed for the system protection.

Because the Kramer-Llano 500 kV transmission line would be located in a different area than the proposed Coolwater-Lugo, Alternative 5 would require substantially greater new telecommunication facilities to support line protection and associated SPS than Coolwater-Lugo. Alternative 5 would require approximately 48 miles of new fiber-optic cable between Llano Switching Station and Lugo Substation requiring approximately 128 new poles, and approximately 80 miles of new fiber-optic cable between Llano Switching Station and Vincent Substation requiring approximately 195 new poles¹. The installation of these fiber-optic structures would require an undetermined amount of new roads, grading, and laydown areas. In addition, new microwave antennas would need to be installed at the new Llano Switching Station and the existing Frost Peak communication site in Wrightwood, California.

Project Objectives, Feasibility, and Environmental Considerations: A new Kramer-Llano 500 kV transmission line, new 500 kV facilities at existing Kramer Substation, a new

¹ As estimated in the CAISO Transition Cluster Phase II Interconnection Study Report for SCE's East of Lugo Bulk System

Llano 500 kV Switching Station, and new telecommunication facilities could integrate new generation resources in the Barstow, Inyokern, Kramer, and Owens Valley areas, but would not integrate future generation resources in the Lucerne Valley area (Objective 2 - Provide transmission that would facilitate the full delivery of future generation resources in the Lucerne Valley/future Jasper Substation and Apple Valley areas).

Furthermore, System Alternative 5 would not facilitate the interconnection of CREST and Rule 21 projects (Objective 6 – Facilitate CREST, Re-MAT, and Rule 21 projects), or address transmission capacity concerns from the City of Ridgecrest (Objective 8 – Address transmission capacity concerns from the City of Ridgecrest), or meet the project needs in a timely manner (Object 12 – Meet project needs in a timely manner). Objectives 6, 8, and 12 would not be achieved because System Alternative 5 would significantly delay Coolwater-Lugo operating date due to the additional environmental work, agency approvals, and engineering that would be required. Since this alternative is located outside of the Coolwater-Lugo Study Area, it would require SCE to perform a siting process to identify and evaluate potential routing alternatives. This process typically takes approximately six to eight months prior to the development of Proponent’s Environmental Assessment (“PEA”). This delay would negatively affect multiple large and small renewable generation requests currently queued in the CAISO and SCE generation interconnection queues, in addition to the ~~250~~275MW Barstow area renewable generation project, currently under construction, that are all seeking interconnection into SCE’s North of Kramer electrical area. By delaying the necessary transmission required for these project interconnections, System Alternative 5 would negatively affect the ability of these queued projects to negotiate PPAs due to delayed commercial operating dates and would also negatively impact the resource adequacy status and PPA obligations of the ~~250~~275MW Barstow area renewable generation project. SCE is obligated to make a best effort with meeting the operating dates in generation interconnection agreements so that generation developer resource adequacy status or obligations under PPAs are not jeopardized. In addition, this extended delay for transmission capacity in the North of Kramer electrical area could lead to complaints filed with the CPUC against SCE for unfairly prohibiting renewable generation interconnection under the Feed-in Tariff program, and/or the CSI, or the NHSP.

Moreover, because transmission facilities for Alternative 5 would be located on the west side of the Highway 395, this alternative would not include a new Desert View Substation southeast of the Town of Apple Valley (Objective 9 - License a new multipurpose substation to facilitate load serving, reliability, and future generation interconnections ~~provide reliability, and support load growth and generation interconnections in the Apple Valley area~~). Alternative 5 would also not minimize environmental impacts or utilize the route that would minimize environmental impacts (Objective 11 – Minimize environmental impacts and utilize the shortest route that minimizes environmental impacts). A Kramer-Llano 500 kV transmission line alternative would require approximately 92 acres of additional land disturbance and associated environmental impacts to expand Kramer Substation with 500 kV facilities, approximately nine acres of additional land disturbance and environmental impacts for a Llano 500 kV Switching Station, approximately six more miles of transmission line facilities on new or expanded ROW, approximately two miles of additional new or

expanded ROW for relocation of an existing subtransmission line, and approximately 128 miles of additional fiber-optic telecommunication facilities, due to lack of adequate telecommunication on the existing Lugo-Vincent No.1 and No.2 500 kV transmission lines requiring approximately 323 new poles and an undetermined amount of new roads, grading, and laydown areas.

In addition, future expansion of Kramer Substation with 500 kV facilities may not be possible due to Caltrans' proposed SR-58 Kramer Junction Expressway Project.¹ This proposed Caltrans Project would widen and realign a 13.3-mile segment of SR-58 centered on Kramer Junction, where SR-58 intersects with US-395, in San Bernardino County. The four possible build alternatives are located on the Caltrans SR-58 Kramer Junction Expressway Project website². All of these four alternatives would negatively impact the expansion of Kramer Substation to 500 kV and/or possible line routing to Kramer Substation. These complications would delay Coolwater-Lugo's operating date, increase its cost, and possibly negatively impact access to Kramer Substation.

Finally, the Coolwater-Lugo 220 kV transmission line was included in the CAISO's 2010-2011³, and 2011-2012⁴, 2012-2013⁵, and 2013-2014⁶ Transmission Plans, but the CAISO determined System Alternative 5 was not needed and therefore not modeled in their 2010-2011 or 2011-2012 Transmission Plans. Since System Alternative 5 fails to achieve most of the basic Coolwater-Lugo objectives, this alternative was eliminated from further consideration.

1.4.6 System Alternative 6 – Kramer-Llano 500 kV Transmission Line and Rebuild of Lugo-Pisgah No.1 220 kV Transmission Line

Description: System Alternative 6 would include all of the facilities described in System Alternative 5 plus rebuilding the existing Lugo-Pisgah No.1 220 kV transmission line with 220 kV and 500 kV construction, installation of a new third 500/220 kV transformer bank at Lugo Substation, and siting of a new multipurpose Desert View Substation southeast of the Town of Apple Valley. Rebuilding the Lugo-Pisgah No.1 220 kV transmission line would involve removing and replacing 67 miles of the existing 220 kV transmission line with higher capacity conductor on 220 kV and 500 kV structures that would initially be operated at 220 kV within existing or mostly existing ROW. In

¹ http://dot.ca.gov/dist8/projects/san_bernardino/sr58/kramerjunction/index.htm

² http://dot.ca.gov/dist8/projects/san_bernardino/sr58/kramerjunction/pdf/Alternative%20Project%20Routes.pdf

³ http://www.caiso.com/Documents/110518Decision_TransmissionPlan-RevisedDraftPlan.pdf

⁴ http://www.caiso.com/Documents/Decision_2011-12TransmissionPlan-Plan-MAR2012.pdf

⁵ <http://www.caiso.com/Documents/BoardApproved2012-2013TransmissionPlan.pdf>

⁶ <http://www.caiso.com/Documents/RevisedDraft2013-2014TransmissionPlan.pdf>

addition, rebuilding the Lugo-Pisgah No.1 220 kV transmission line would involve the removal of approximately 16 miles of the existing Lugo-Pisgah No.2 220 kV transmission line, from Lugo Substation to the proposed Desert View Substation, and termination of the remaining portion of the Lugo-Pisgah No.2 220 kV transmission line into proposed Desert View Substation. The removal of approximately 16 miles of the existing Lugo-Pisgah No.2 220 kV transmission line would be required to create the necessary space within the existing ROW for the 500 kV constructed, 220 kV operated, structures between the proposed Desert View Substation and Lugo Substation for the rebuilt Lugo-Pisgah No.1 220 kV transmission line.

Project Objectives, Feasibility, and Environmental Considerations: A new Kramer-Llano 500 kV transmission line and a rebuilt Lugo-Pisgah No.1 220 kV transmission line, installation of a third 500/220 kV transformer at Lugo Substation, and siting a multipurpose Desert View Substation could integrate new generation resources in the Barstow, Inyokern, Kramer, Lucerne Valley, and Owens Valley areas and is a viable alternative from an electrical standpoint.

However, this alternative was eliminated from further consideration for the reasons explained under System Alternative 5 (greater amount of new telecommunication facilities, timing of siting and environmental review, lack of facilitation of CREST and Rule 21 projects, lack of support for a new multipurpose substation in the Town of Apple Valley area). In addition to those reasons, Alternative 6 would require approximately 39 additional miles of removed and rebuilt 220 kV transmission line than Alternative 5 on existing or expanded ROW, from the Lucerne Valley area east to Pisgah Substation, which would not minimize environmental impacts or utilize the route that would minimize environmental impacts (Objective 11 – Minimize environmental impacts and utilize the shortest route that minimizes environmental impacts). Alternative 6 would also not meet the cost goals of Objective 12 (Objective 12 - Meet project needs in a cost-effective manner) because it would increase Coolwater-Lugo costs approximately 50 percent¹ due to the extra facilities required beyond that of Coolwater-Lugo which would be an unnecessary burden to SCE ratepayers.

In addition, future expansion of Kramer Substation with 500 kV facilities may not be possible due to Caltrans' proposed SR-58 Kramer Junction Expressway Project.² This proposed Caltrans Project would widen and realign a 13.3-mile segment of SR-58 centered on Kramer Junction, where SR-58 intersects with US-395, in San Bernardino County. The four possible build alternatives are located on the Caltrans SR-58 Kramer Junction Expressway Project website³. All of these four alternatives would negatively

¹ Cost comparison based on costs identified in the Q125 Abengoa Mojave Solar system impact study, the transition cluster phase II North of Lugo group report, and SCE's per unit cost guide available at: http://www.caiso.com/Documents/SCE_2012FinalPerUnitCostGuide.xls

² http://dot.ca.gov/dist8/projects/san_bernardino/sr58/kramerjunction/index.htm

³ http://dot.ca.gov/dist8/projects/san_bernardino/sr58/kramerjunction/pdf/Alternative%20Project%20Routes.pdf

impact the expansion of Kramer Substation to 500 kV and/or possible line routing to Kramer Substation. These complications would delay Coolwater-Lugo's operating date, increase its cost, and possibly negatively impact access to Kramer Substation.

1.4.7 System Alternative 7 – AV Clearview Transmission Proposal – Baseline Case

Description: System Alternative 7 is the AV Clearview Transmission Proposal's Baseline Case as submitted by Critical Path Transmission, LLC, for consideration in the CAISO's 2012-2013 Annual Transmission Plan.

As described in the CAISO's 2012-2013 Annual Transmission Plan, Critical Path Transmission, LLC's AV Clearview Baseline Case consists of the following transmission elements:

- New 230 kV Yeager Substation;
- New double circuit 230 kV from Windhub to Yeager;¹
- New double circuit 230 kV from Yeager to Kramer;
- New 230/115 kV step down transformer bank at Yeager;
- New single circuit 115 kV from Yeager to SCE Edwards 115 kV Substation with line operated as normally open at Edwards;²
- New 500 kV Tucker Substation;³
- Loop Lugo-Vincent No.1 and No.2 500 kV transmission lines through Tucker Substation; and, new 1,000 MW capacity underground DC line between Yeager and Tucker Substations.

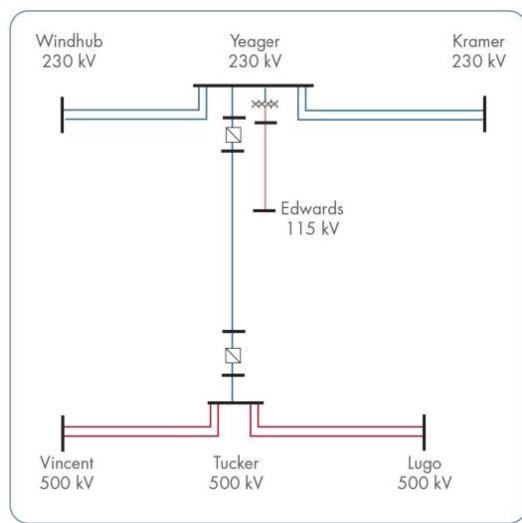
Figure 1.0-A below shows the Baseline Case configuration:

¹ Required upgrades at SCE's Windhub Substation to accommodate new double-circuit 230 kV line are not described in the CAISO's 2012-2013 Annual Transmission Plan

² Upgrades at Edwards, such as a complete substation rebuild, may be required to accommodate the proposed 115 kV line and are not described in the CAISO's 2012-2013 Annual Transmission Plan

³ Required telecommunications to new Tucker Substation necessary to provide proper line protection once existing Lugo – Vincent 500 kV transmission lines are looped in are not described in the CAISO's 2012-2013 Annual Transmission Plan

Figure 1.0-A AV Clearview Baseline Case¹



The AV Clearview Proposal was analyzed in the CAISO's 2012-2013² Transmission Plan and the CAISO determined that this Proposal did not produce economic benefits that would offset the higher costs of the project relative to Coolwater-Lugo and was therefore not modeled in their 2012-2013 Transmission Plan.

Project Objectives, Feasibility, and Environmental Considerations: The AV Clearview Proposal's Baseline Case would not be able to integrate new generation resources in the Barstow, Inyokern, Kramer, Lucerne Valley, and Owens Valley areas (Objective 2 - Provide transmission that would facilitate the full delivery of future generation resources in the Barstow, Inyokern, Kramer, Lucerne Valley/future Jasper Substation, Town of Apple Valley, and Owens Valley areas) because it could not be implemented in a cost effective and timely manner due to existing system limitations. Potential environmental impacts for the Baseline Case are not known; however, it should be noted that new ROW, new substations, and substation expansions would be required on currently undisturbed lands.

The first existing system limitation is associated with Windhub Substation availability to accommodate the interconnection of the proposed double-circuit 220 kV transmission line from AV Clearview's proposed Yeager Substation. With all generation interconnection requests to the Windhub 220 kV Switchrack, there would be no available space for the AV Clearview Proposal's Baseline Case. Such a proposed interconnection would require Windhub Substation to be expanded, which may impact newly installed wind generation and generation tie-line facilities that support recently interconnected wind projects. This necessary expansion would also require acquisition of land controlled by generation developers.

¹ <http://www.caiso.com/Documents/BoardApproved2012-2013TransmissionPlan.pdf>

² <http://www.caiso.com/Documents/BoardApproved2012-2013TransmissionPlan.pdf>

In addition, the connection of the two proposed transmission lines to Windhub Substation under the Baseline Case would result in significant short-circuit duty issues. Specifically, this alternative would exceed SCE's maximum short-circuit duty design at Windhub Substation. To address the short-circuit duty limitation, significant and costly actions, such as the complete demolition of the existing 220 kV switchrack and the construction of new Gas Insulated Switchgear ("GIS") 220 kV facilities with increased 80 kA short-circuit duty rating would be necessary. Upgrading Windhub Substation for short-circuit duty issues would require extremely long-term curtailment of recently interconnected generation resources. These curtailments could potentially cause significant monetary losses to the recently interconnected wind generation projects as well as result in a reduction to the overall renewable energy production while the upgrade is implemented, thereby adversely impacting RPS target goals (Objective 1 – Facilitate SCE and other California utilities achievement of California's RPS) and creating costs in excess of \$100 million of otherwise unnecessary work to convert Windhub's existing 220 kV Switchrack to GIS (Objective 12 – meet project needs in a cost-effective and timely manner). Furthermore, the required curtailments of the Tehachapi area renewable generation connecting to and around Windhub Substation would require replacement generation which may not come from renewable resources, and which may not support California's GHG Reduction Program (Objective 4 – Support California's GHG Reduction Program).

Moreover, this proposal would not meet applicable CAISO, NERC and WECC planning criteria (Objective 3 – Comply with all applicable reliability planning criteria) as demonstrated by the CAISO's analysis of the AV Clearview Proposal in their 2012-2013 Annual Transmission Plan¹. The analysis indicated that the proposed connection from Yeager to SCE's Edwards Substation would result in overloads on the proposed Yeager-Edwards 115 kV line, the existing Edwards-Holgate 115 kV line, and the existing Kramer-Holgate 115 kV line. The CAISO's proposed mitigation for these overloads was to leave the proposed Yeager-Edwards 115 kV line open; however, this operating condition would result in this line having the sole purpose of providing energy redundancy for Edwards Air Force Base ("AFB")². SCE's review of outage history has revealed that the existing 115 kV line serving Edwards AFB has not experienced a prolonged outage in the last ten years. All outages have been categorized as "open and reclose" operations and have thus been minimal in duration. Any proposed "energy redundancy" aspects would therefore not exist since the proposed line would be operated normally open and would close only upon loss of the existing 115 kV line. As such, the exact same outage duration would be experienced with or without AV Clearview's proposed Yeager-Edwards 115 kV line. Consequently, the Yeager-Edwards 115 kV line provides no real measurable benefit and has not been identified to be required in any of the load serving studies that have been performed as part of the CAISO's 2012-2013 Annual Transmission Plan. Furthermore, since the existing SCE Edwards Substation does not have a 115 kV switchrack, the proposed Yeager-Edwards 115 kV line would require a complete rebuild of Edwards Substation and the construction of an Edwards 115 kV

¹ <http://www.caiso.com/Documents/BoardApproved2012-2013TransmissionPlan.pdf>

² <http://www.caiso.com/Documents/CriticalPathCommentsDraft2012-2013TransmissionPlan.pdf>

Switchrack, which would also not meet Objective 12 (Objective 12 – meet project needs in a cost-effective and timely manner).

System Alternative 7 would also not facilitate the interconnection of CREST and Rule 21 projects (Objective 6 – Facilitate CREST, Re-MAT, and Rule 21 projects), address transmission capacity concerns from the City of Ridgecrest (Objective 8 – Address transmission capacity concerns from the City of Ridgecrest), or meet the project needs in a timely manner (Object 12 – Meet project needs in a timely manner) due to the lack of space on the Windhub 220 kV Switchrack to accommodate AV Clearview’s proposed connection from Yeager due to the short-circuit duty concerns from such a connection as described above and due to the need to rebuild SCE’s Edwards Substation. Objectives 6, 8, and 12 would not be achieved because System Alternative 7 would significantly delay the operating date due to the additional environmental review, agency approvals, and engineering that would be needed for construction of the AV Clearview Proposal, the required substation rebuilds that would be necessary at SCE’s Windhub and Edwards Substations, and any other necessary reliability upgrades in the SCE system that would be required as a result of the AV Clearview proposal.

This delay would negatively affect multiple large and small renewable generation requests currently in the CAISO and SCE generation interconnection queues, in addition to the ~~250~~275MW Barstow area renewable generation project, currently under construction, that are all seeking interconnection into SCE’s North of Kramer electrical area. By delaying the necessary transmission required for these project interconnections, System Alternative 7 would negatively affect the ability of these queued projects to negotiate PPAs due to delayed commercial operating dates, and would also negatively impact the resource adequacy status and PPA obligations of the ~~250~~275MW Barstow area renewable generation project. SCE is obligated to make a best effort with meeting the operating dates in generation interconnection agreements so that generation developer resource adequacy status or obligations under PPAs are not jeopardized. In addition, this extended delay for transmission capacity in the North of Kramer electrical area could lead to complaints filed with the CPUC against SCE for unfairly prohibiting renewable generation interconnection under the Feed-in Tariff program, and/or the CSI, or the NHSP.

Moreover, because the transmission facilities for Alternative 7 would be located on the west side of Highway 395, this alternative would not include a new Desert View Substation southeast of the town of Apple Valley (Objective 9 - License a new multipurpose substation to facilitate load serving, reliability, and future generation interconnections ~~provide reliability, and support load growth and generation interconnections in the Apple Valley area~~). Alternative 7 would also not minimize environmental impacts or utilize the route that would minimize environmental impacts (Objective 11 – Minimize environmental impacts and utilize the shortest route that minimizes environmental impacts). The AV Clearview Proposal alternative would require approximately 84 miles of new transmission facilities on primarily new or

expanded ROW, approximately 40 miles of which would be underground¹. Underground transmission facilities usually involve a combination of trenching and tunneling and the installation of cooling equipment, splice vaults, and underground ducts. Undergrounding, as opposed to overhead construction, would result in more severe impacts to air quality from emission from construction equipment, could disturb cultural resources and potentially hazardous waste (e.g., mining waste) buried at shallow depths, and could also create noise and vibration, potentially affecting nearby structures, protected species, surface and groundwater resources and deeply buried geological and paleontological features. Additional land disturbance and environmental impact would also be required to rebuild Edwards 115 kV Substation, and to provide for Fiber-Optic telecommunication facilities. Because Alternative 7 would be located in a different area than the proposed Coolwater-Lugo, it may require substantially greater new telecommunication facilities to support line protection and possibly an SPS than Coolwater-Lugo. Alternative 7 could require approximately 128 miles of new Fiber-Optic cable between Lugo Substation and Vincent Substation requiring approximately 323 new poles². The installation of these Fiber-Optic structures would require an undetermined amount of new roads, grading, and laydown areas. In addition, new microwave antennas may need to be installed at the proposed Tucker Substation and the existing Frost Peak communication site in Wrightwood, California.

In addition, Caltrans' proposed SR-58 Kramer Junction Expressway Project³ would widen and realign a 13.3-mile segment of SR-58 centered on Kramer Junction, where SR-58 intersects with US-395, in San Bernardino County. The four possible build alternatives are located on the Caltrans SR-58 Kramer Junction Expressway Project website⁴. All of these four alternatives would negatively impact possible line routing to Kramer Substation under this system alternative. These complications would delay

¹ While Critical Path Transmission, LLC, has stated in the CAISO 2012-2013 Annual Transmission Plan that the DC transmission line between Yeager and Tucker Substations will be built underground, they have not identified whether the transmission and subtransmission lines from Yeager Substation to Edwards, Windhub, and Kramer Substations will be overhead or underground and it is assumed these will be overhead. Based on information at criticalpathtransmission.com and from the AV Clearview map routes contained in the CAISO's 2012-2013 Annual Transmission Plan, it is estimated that the AV Clearview Transmission Proposal will require approximately 40 miles of new underground transmission line between Yeager and Tucker Substations, approximately 42 miles of new transmission line connecting Windhub, Yeager and Kramer Substations, and two miles of new subtransmission line between Yeager and Edwards Substation. It is estimated that approximately only two miles of the 84 miles of the new subtransmission and transmission required by the AV Clearview Transmission Proposal will be within an existing energy corridor.

² As compared to the Kramer-Llano 500 kV upgrade as estimated in the CAISO Transition Cluster Phase II Interconnection Study Report for SCE's East of Lugo Bulk System

³ http://dot.ca.gov/dist8/projects/san_bernardino/sr58/kramerjunction/index.htm

⁴ http://dot.ca.gov/dist8/projects/san_bernardino/sr58/kramerjunction/pdf/Alternative%20Project%20Routes.pdf

Coolwater-Lugo's operating date, increase its cost, and possibly negatively impact access to Kramer Substation.

Since System Alternative 7 fails to achieve most of the basic Coolwater-Lugo objectives, this alternative was eliminated from further consideration. Additional SCE comments on the AV Clearview Proposal are located on the CAISO's 2012-2013 Transmission planning process webpage¹.

1.4.8 System Alternative 8 – AV Clearview Transmission Proposal – Expanded Case

Description: System Alternative 8 is the AV Clearview Transmission Proposal's Expanded Case as submitted by Critical Path Transmission, LLC, for consideration in the CAISO's 2012-2013 Annual Transmission Plan.

As described in the CAISO's 2012-2013 Annual Transmission Plan, Critical Path Transmission, LLC's AV Clearview Expanded Case consists of the following transmission elements instead of the elements discussed in the Baseline Case:

- New 500 kV Yeager Substation;
- New double circuit 500 kV from Windhub to Yeager;
- New double circuit 500 kV from Yeager to Kramer²;
- New 500/115 kV step down transformer bank at Yeager;
- New single circuit 115 kV from Yeager to SCE Edwards 115 kV Substation with line operated as normally open at Edwards³;
- New 500 kV Tucker Substation⁴;
- Loop Lugo-Vincent No.1 & No.2 transmission lines through Tucker Substation; and

¹ <http://www.caiso.com/planning/Pages/TransmissionPlanning/2012-2013TransmissionPlanningProcess.aspx>

² Required upgrades at SCE's Kramer Substation to accommodate new double-circuit 500 kV line are not described in the CAISO's 2012-2013 Annual Transmission Plan.

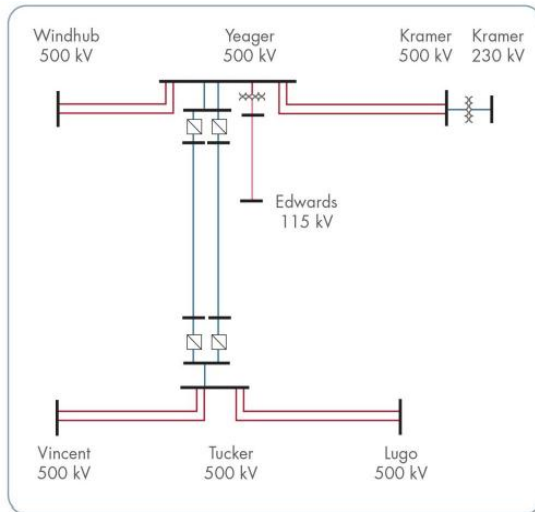
³ Required upgrades at Edwards to accommodate new 115 kV line are not described in the CAISO's 2012-2013 Annual Transmission Plan.

⁴ Required telecommunications to new Tucker Substation necessary to provide proper line protection once existing Lugo – Vincent 500 kV transmission lines are looped in are not described in the CAISO's 2012-2013 Annual Transmission Plan.

- New 2000 MW capacity underground DC line between Yeager and Tucker Substation.

Figure 1.0-B below shows the Expanded Case configuration:

Figure 1.0-B AV Clearview Expanded Case¹



CAISO's analysis in their 2012-2013 Transmission Plan indicated that the AV Clearview Expanded Case Proposal did not produce economic benefits that would offset the higher costs of the project relative to Coolwater-Lugo.

Project Objectives, Feasibility, and Environmental Considerations: The AV Clearview Proposal's Expanded Case would not be able to integrate new generation resources in the Barstow, Inyokern, Kramer, Lucerne Valley, and Owens Valley areas (Objective 2 - Provide transmission that would facilitate the full delivery of future generation resources in the Barstow, Inyokern, Kramer, Lucerne Valley/future Jasper Substation, Town of Apple Valley, and Owens Valley areas) because it also could not be implemented in a cost effective and timely manner. Furthermore, potential environmental impacts for the Expanded Case are not known; however, it should be noted that new ROW, new substations, and substation expansions would be required on currently undisturbed lands.

This proposal would not meet applicable CAISO, NERC and WECC planning criteria (Objective 3 – Comply with all applicable reliability planning criteria) as demonstrated by the CAISO's analysis of the AV Clearview Proposal in their 2012-2013 Annual Transmission Plan. The analysis indicated that the proposed connection from Yeager to SCE's Edwards Substation would result in overloads on the proposed Yeager-Edwards 115 kV line, the existing Edwards-Holgate 115 kV line, and the existing Kramer-Holgate 115 kV line. The CAISO's proposed mitigation for these overloads was to leave the Yeager-Edwards 115 kV line open; however, this operating condition would result in this

¹ <http://www.caiso.com/Documents/BoardApproved2012-2013TransmissionPlan.pdf>

line having the sole purpose of providing energy redundancy for Edwards AFB¹. SCE's review of outage history has revealed that the existing 115 kV line serving Edwards AFB has not experienced a prolonged outage in the last ten years. All outages have been categorized as "open and reclose" operations and have thus been minimal in duration. Any proposed "energy redundancy" aspects would therefore not exist since the proposed line would be operated normally open and would close only upon loss of the existing 115 kV line. As such, the exact same outage duration would be experienced with or without AV Clearview's proposed Yeager-Edwards 115 kV line. Consequently, the Yeager-Edwards 115 kV line provides no real measurable benefit and has not been identified to be required in any of the load serving studies that have been performed as part of the CAISO's Annual Transmission Plan. Furthermore, since the existing SCE Edwards Substation does not have a 115 kV switchrack, the proposed Yeager-Edwards 115 kV line would require a complete rebuild of Edwards Substation and the construction of an Edwards 115 kV Switchrack, which would also not meet Objective 12 (Objective 12 – meet project needs in a cost-effective and timely manner).

Furthermore, System Alternative 8 would not facilitate the interconnection of CREST and Rule 21 projects (Objective 6 – Facilitate CREST, Re-MAT, and Rule 21 projects), address transmission capacity concerns from the City of Ridgecrest (Objective 8 – Address transmission capacity concerns from the City of Ridgecrest), or meet the project needs in a timely manner (Object 12 – Meet project needs in a timely manner). Objectives 6, 8, and 12 would not be achieved because System Alternative 8 would significantly delay the operating date due to the additional environmental work, agency approvals, engineering that would be needed for construction of the AV Clearview Proposal's Expanded Case, which includes but is not limited to the required substation rebuild of SCE's Edwards Substation, the expansion of SCE's existing Kramer 220/115 kV Substation to include 500 kV facilities, and new telecommunication facilities to support line protection and possibly an SPS.

Expansion of the existing Kramer Substation with 500 kV facilities would require approximately 92 additional acres adjacent to the existing Kramer Substation to accommodate the full build-out of a standard SCE designed 500/220 kV substation. Facilities to support a new double-circuit Yeager-Kramer 500 kV transmission line would require a 500 kV operating bus, one or more 500/220 kV transformer banks, a MEER, and the installation of additional ancillary equipment including but not limited to circuit breakers, disconnects, conductor, and system protection. In addition, this substation expansion would require the relocation of approximately two miles of the existing Kramer-Rocket Test 115 kV subtransmission line on expanded or new ROW.

This delay would negatively affect multiple large and small renewable generation requests currently in the CAISO and SCE generation interconnection queues, in addition to the ~~250~~275 MW Barstow area renewable generation project, currently under construction, that are all seeking interconnection into SCE's North of Kramer electrical area. By delaying the necessary transmission required for these project interconnections,

¹ <http://www.caiso.com/Documents/CriticalPathCommentsDraft2012-2013TransmissionPlan.pdf>

System Alternative 8 would negatively affect the ability of these queued projects to negotiate PPAs due to delayed commercial operating dates and would also negatively impact the resource adequacy status and PPA obligations of the ~~250~~275 MW Barstow area renewable generation project. SCE is obligated to make a best effort with meeting the operating dates in generation interconnection agreements so that generation developer resource adequacy status or obligations under PPAs are not jeopardized. In addition, this extended delay for transmission capacity in the North of Kramer electrical area could lead to complaints filed with the CPUC against SCE for unfairly prohibiting renewable generation interconnection under the Feed-in Tariff program, and/or the CSI, or the NHSP.

Moreover, because transmission facilities for Alternative 8 would be located on the west side of Highway 395, this alternative would not include a new Desert View Substation southeast of the Town of Apple Valley (Objective 9 - License a new multipurpose substation to facilitate load serving, reliability, and future generation interconnections ~~provide reliability, and support load growth and generation interconnections in the Apple Valley area~~). Alternative 8 would also not minimize environmental impacts or utilize the route that would minimize environmental impacts (Objective 11 – Minimize environmental impacts and utilize the shortest route that minimizes environmental impacts). AV Clearview’s Expanded Case would require approximately 84 miles of new transmission facilities on new or expanded ROW, approximately 40 miles of which would be underground¹. Underground transmission facilities usually involve a combination of trenching and tunneling and the installation of cooling equipment, splice vaults, and underground ducts. Undergrounding would result in more severe impacts to air quality from emission from construction equipment, could disturb cultural resources and potentially hazardous waste (e.g., mining waste) buried at shallow depths, and could also create noise and vibration, potentially affecting nearby structures, protected species, surface and groundwater resources and deeply buried geological and paleontological features. Furthermore, an additional 92 acres would be required to expand SCE’s existing Kramer Substation to include 500 kV facilities, a two mile subtransmission line would require relocation, SCE’s Edwards 115 kV Substation would need to be rebuilt to include a 115 kV switchrack, and Fiber-Optic telecommunication facilities. Because Alternative 8 would be located in a different area than the proposed Coolwater-Lugo, it may require substantially greater new telecommunication facilities to support line protection and possibly an SPS than Coolwater-Lugo. Alternative 8 could require approximately 128 miles of new Fiber-Optic cable between Lugo Substation and Vincent Substation requiring approximately 323 new poles². The installation of these Fiber-Optic structures would require an undetermined amount of new roads, grading, and laydown areas. In addition, new microwave antennas may need to be installed at the proposed Tucker Substation and the existing Frost Peak communication site in Wrightwood, California.

¹ See Footnote 25.

² As compared to the Kramer-Llano 500 kV upgrade as estimated in the CAISO Transition Cluster Phase II Interconnection Study Report for SCE’s East of Lugo Bulk System

Alternative 8 would also not meet the cost goals of Objective 12 (Objective 12 - Meet project needs in a cost-effective manner). SCE has identified additional significant costs that would be necessary for the AV Clearview's Expanded Case Proposal, which were not identified in the CAISO's 2012-2013 Transmission Plan¹. These costs include the expansion of SCE's existing Kramer Substation to include 500 kV facilities, the rebuild of SCE's existing Edwards Substation to include a 115 kV Switchrack, and the 128 miles of telecommunications, all of which would not be required as part of Coolwater-Lugo, and which would result in higher costs passed on to SCE ratepayers. Finally, the AV Clearview Proposal's Expanded Case was determined not to be needed by the CAISO and was therefore not modeled in their 2012-2013 Transmission Plan.

In addition, future expansion of Kramer Substation with 500 kV facilities may not be possible due to Caltrans' proposed SR-58 Kramer Junction Expressway Project.² This proposed Caltrans Project would widen and realign a 13.3-mile segment of SR-58 centered on Kramer Junction, where SR-58 intersects with US-395, in San Bernardino County. The four possible build alternatives are located on the Caltrans SR-58 Kramer Junction Expressway Project website³. All of these four alternatives would negatively impact the expansion of Kramer Substation to 500 kV and/or possible line routing to Kramer Substation. These complications would delay Coolwater-Lugo's operating date, increase its cost, and possibly negatively impact access to Kramer Substation.

Since System Alternative 8 fails to achieve most of the basic Coolwater-Lugo objectives, this alternative was eliminated from further consideration. Additional SCE comments on the AV Clearview Proposal are located on the CAISO's 2012-2013 Transmission planning process webpage⁴.

1.4.9 System Alternative 9 - No Project Alternative

Description: Under the No Project Alternative, there would be no facility upgrades or other changes to the electric transmission system. Proposed alternatives, including new and upgraded transmission lines and substations, would not be constructed.

Project Objectives, Feasibility, and Environmental Considerations: With implementation of the No Project Alternative, the following key objectives would not be met:

¹ SCE believes the costs of the AV Clearview's Baseline and Expanded Case Proposals are underestimated because both these proposal require SCE upgrades to existing facilities and SCE was never contacted for the necessary cost and scope estimates.

² http://dot.ca.gov/dist8/projects/san_bernardino/sr58/kramerjunction/index.htm

³ http://dot.ca.gov/dist8/projects/san_bernardino/sr58/kramerjunction/pdf/Alternative%20Project%20Routes.pdf

⁴ <http://www.aiso.com/planning/Pages/TransmissionPlanning/2012-2013TransmissionPlanningProcess.aspx>

1. Facilitate SCE and other California utilities achievement of California's RPS in an expedited manner;
2. Provide transmission facilities identified as necessary for the full delivery of 1) a 250275 MW renewable generation project located in the Barstow area; 2) future generation resources in the Barstow, Inyokern, Kramer, Lucerne Valley, Town of Apple Valley, and Owens Valley areas;
3. Support California's GHG Reduction Program;
4. Support BLM compliance with the Federal Renewable Energy Mandate;
5. Provide transmission facilities in a timely manner that would facilitate the interconnection of CREST and Rule 21 projects;
6. Provide transmission facilities that facilitate the Department of Defense meeting their Energy Mandate of producing or procuring 25% of their total energy from renewable energy sources beginning in 2025 as outlined under the National Defense Authorization Act of 2010;¹
7. Address transmission capacity concerns from the City of Ridgecrest;
8. License a new multipurpose 500/220/115/12 kV Desert View Substation southeast of the Town of Apple Valley to facilitate load serving, reliability, and future generation interconnections; and,
9. Meet project needs in a cost-effective and timely manner.

The No Project Alternative would not meet the project objectives, but is retained in the PEA to enable the CPUC to compare the impacts of approving the proposed Coolwater-Lugo with the impacts of not approving the project.

1.5 System Alternatives Comparison

SCE evaluated each system alternative for its ability to meet the project objectives. Each of these alternatives differs according to environmental impacts, engineering feasibility, and cost. SCE concluded that Coolwater-Lugo (the system alternative presented in Section 1.0) is the only feasible alternative that could be implemented in an efficient and expedited manner that would meet all 13 project objectives presented in Section 1.3. However, as discussed in Section 1.4, Electric System Alternatives, the analysis determined that the following system alternatives are feasible, but do not meet all 13 of the basic project objectives:

- System Alternative 1 – Coolwater-Pisgah 220 kV Transmission Line

¹ See http://www.govenergy.com/2010/Files/Presentations/Renewables/2010_GovEnergy_Tindal.pdf

- System Alternative 4 – Kramer-Lugo No.3 220 kV Transmission Line
- System Alternative 5 – Kramer-Llano 500 kV Transmission Line
- System Alternative 6 – Kramer-Llano 500 kV Transmission Line and Rebuild of Lugo-Pisgah No.1 220 kV Transmission Line
- System Alternative 7 – AV Clearview Transmission Proposal – Baseline Case
- System Alternative 8 – AV Clearview Transmission Proposal – Expanded Case
- System Alternative 9 – No Project Alternative

1.5.1 System Alternatives Considered and Eliminated

As described in section 1.4, the following system alternatives were considered and eliminated because they failed to meet most of the basic project objectives:

- System Alternative 1 – Coolwater-Pisgah 220 kV Transmission Line
- System Alternative 2 – Rebuilding the Kramer-Lugo 220 kV Transmission Lines
- System Alternative 3 – Reconductoring the Kramer-Lugo 220 kV Transmission Lines
- System Alternative 4 – Kramer-Lugo No.3 220 kV Transmission Line
- System Alternative 5 – Kramer-Llano 500 kV Transmission Line
- System Alternative 6 – Kramer-Llano 500 kV Transmission Line and Rebuild of Lugo-Pisgah No.1 220 kV Transmission Line
- System Alternative 7 – AV Clearview Transmission Proposal – Baseline Case
- System Alternative 8 – AV Clearview Transmission Proposal – Expanded Case
- System Alternative 9 – No Project Alternative

1.6 Project Summary

To provide additional south of Kramer capacity to integrate current and future renewable generation projects, SCE needs to develop new and upgraded transmission facilities. These new and upgraded transmission facilities would eliminate the bottlenecks that would preclude renewable generation resources from reaching the utility load centers. To this end, SCE is required to develop and maintain a reliable transmission network with adequate capacity. The facilities needed to deliver the electrical power from the new planned generation resources located in the Barstow, Inyokern, Kramer, Lucerne Valley, and Owens Valley areas have been identified through generation interconnection studies

performed as mandated by the CAISO. The major components of these facilities are summarized below with complete descriptions provided in Chapter 3, *Project Description*.

1.6.1 Substations

- Reconfigure Coolwater 220 kV Switchyard
- Terminate new Coolwater-Desert View 220 kV Transmission Line at the Coolwater and Desert View 220 kV buses
- Install new relay buildings and necessary equipment to support the SPS at Coolwater 220 kV Switchyard
- ~~▪ Expand the Lugo 500 kV Switchrack to the south five positions~~
- ~~▪ Relocate two existing 500 kV transmission line terminations at Lugo Substation~~
- Terminate new Desert View-Lugo 220 kV Transmission Line at the Desert View and Lugo 220 kV buses
- ~~▪ Install one 500/220 kV transformer bank at Lugo Substation~~
- ~~▪ Construct new relay building and install bank protection relays at Lugo Substation~~
- Install new protection, control, and SPS at Lugo Substation
- License proposed Desert View 500/220/115/12 kV Substation and initially construct the facilities necessary to loop Coolwater-Lugo 220 kV Transmission Line and the Lugo-Pisgah No.1 & No.2 220 kV Transmission Lines into Desert View Substation including new protection, control, and SPS at Desert View Substation.

1.6.2 Transmission and Telecommunication

- Remove approximately 29.1 miles of the existing Lugo-Pisgah No.1 220 kV Transmission Line from Lugo Substation northeast to approximately the intersection of Haynes Road and SR-247
- Remove approximately 16.0 miles of the existing Lugo-Pisgah No.2 220 kV Transmission Line from Lugo Substation northeast to proposed Desert View Substation and terminate the remaining portion of this line into the proposed Desert View Substation
- Construct 16.6 miles of 500 kV single-circuit transmission line utilizing 2B-2156 ASCR conductor (initially operated at 220 kV) from Lugo Substation to the proposed Desert View Substation and 13.6 miles of 220 kV double-circuit

transmission line in existing ROW from proposed Desert View Substation to approximately the intersection of Haynes Road and SR-247

- Construct approximately 34.0 miles of 220 kV double-circuit transmission line from Coolwater 220 kV Switchyard south to the existing Lugo-Pisgah transmission corridor, located approximately near the intersection of Haynes Road and SR-247
- Install a new 150-foot tall microwave tower and foundation at the existing Coolwater 220 kV Switchyard
- Install lightwave transponder equipment or optical amplifier and channel bank equipment at Coolwater Switchyard, Lugo Substation, and the proposed Desert View Substation
- Install approximately 11.0 miles of Fiber-Optic Cable from existing Apple Valley Substation to the proposed Desert View Substation
- Install approximately 29.0 miles of Fiber-Optic Cable from existing Pisgah Substation near Ludlow to the existing Gale Substation near Daggett

Appendix K

TABLES AND FIGURES REFERENCED IN AMENDED APPLICATION

Table 1.0-A Existing Generation in the Kramer System

#	Existing Facility Name	Fuel Type	MW Nameplate Capacity ¹	Net MW to Grid ²	Online Date ³	Expected Retirement Date ⁴	RETI CREZ	DRECP DFA
1	BSPHYD 26	Hydro	14.9	13.4	01/01/1908 – 01/01/1943	Undefined	N/A	N/A
2	BSPHYD 34	Hydro	16.1	15.8	01/01/1905 – 01/01/1913	Undefined	N/A	N/A
3	Poole	Hydro	11.3	10.9	01/01/1924	Undefined	N/A	N/A
4	Lundy	Hydro	3.0	3.0	01/01/1911 – 01/01/1912	Undefined	N/A	N/A
5	Rush Creek	Hydro	13.0	11.9	01/01/1916 – 01/01/1917	Undefined	N/A	N/A
6	Casa Diablo	Geothermal	39.0	30.0	12/07/1990	12/06/2020-04/01/2033	N/A	N/A
7	BLM (E7G, E8G & W9G)	Geothermal	100.7	100.7	12/05/1988	03/12/2019	Inyokern	West Mojave & Eastern Slopes
8	Borax I	Natural Gas	48.2	48.0	06/01/1984	06/01/2032	Kramer	West Mojave & Eastern Slopes
9	Calgen (1G, 2G, & 3G)	Geothermal	99.9	92.2	07/13/1987	01/31/2030	Inyokern	West Mojave & Eastern Slopes
10	Kerrgen	Natural Gas	25.6	25.6	6/25/1979	03/11/2017	Inyokern	West Mojave & Eastern Slopes
11	Kerr McGee	Natural Gas	62.5	55.0	04/01/1983	07/13/2033	Inyokern	West Mojave & Eastern Slopes
12	Luz (8 & 9)	Solar Thermal	184.0	160.0	12/29/1989 – 10/11/1990	04/17/2021 – 05/29/2020	Kramer	West Mojave & Eastern Slopes

¹ The nameplate capacity values were obtained from a variety of sources including but not limited to generation interconnection agreements, power purchase agreements, distribution service agreements, generation interconnection applications, the Qualifying Facilities Semi-Annual Status Report to the CPUC, and the CAISO’s Generating Capability List.

² Net MW to Grid are the actual MW values that get injected into the electric grid due to factors including but limited to on-site auxiliary loads, contractual limitations, and facility constraints. The Net MW to Grid values are obtained from <http://www.caiso.com/Documents/AppendixADraft2013-2014TransmissionPlan.pdf> (pp. A-15-A-16). The MW values to from the Draft 2013-2014 plan are used since the Board Approved 2013-2014 Plan’s North of Lugo generation values have numerous typos that have not been corrected.

³ Online date ranges indicate the generation facility has multiple generators which came on-line during different years. The earliest and latest dates for the range are provided.

⁴ Expected retirement date ranges indicate the generation facility has multiple generators which will retire during different years. The earliest and latest dates for the range are provided. The term “undefined” indicates there is no contractual obligation for the generation facility to retire. It should also be noted that any generator could choose to extend its retirement date by amending or entering into a new contract.

#	Existing Facility Name	Fuel Type	MW Nameplate Capacity ¹	Net MW to Grid ²	Online Date ³	Expected Retirement Date ⁴	RETI CREZ	DRECP DFA
13	McGen	Coal	120	118.3	09/20/1990	03/15/2038	Inyokern	West Mojave & Eastern Slopes
14	MoGen G	Natural Gas	62.5	62.5	06/13/1990	05/09/2017	Kramer	West Mojave & Eastern Slopes
15	Navy II (4G, 5G, & 6G)	Geothermal	99.0	99.0	12/23/1989	01/31/2030	Inyokern	West Mojave & Eastern Slopes
16	Oxbow G1	Geothermal	67.2	56.0	06/14/1988	07/04/2018	N/A	N/A
17	Segs (1 & 2)	Solar Thermal	53.4	38.4	11/02/1984	12/31/2015	Barstow	Mojave & Silurian Valley
18	Sungen (3G, 4G, 5G, 6G, & 7G)	Solar Thermal	175.0	160.0	12/18/1986 – 12/29/1988	01/25/2017 – 03/01/2019	Kramer	West Mojave & Eastern Slopes
19	Alta 1G	Natural Gas	65.0	65.0	01/01/1961	Undefined	Barstow	Mojave & Silurian Valley
20	Alta 2G	Natural Gas	81.5	81.0	01/01/1964	Undefined	Barstow	Mojave & Silurian Valley
21	Alta 3ST	Natural Gas	110.0	108.0	01/01/1978	Undefined	Barstow	Mojave & Silurian Valley
22	Alta 4ST	Natural Gas	110.0	108.0	01/01/1978	Undefined	Barstow	Mojave & Silurian Valley
23	Alta 31GT	Natural Gas	73.0	66.5	01/01/1978	Undefined	Barstow	Mojave & Silurian Valley
24	Alta 32GT	Natural Gas	73.0	66.5	01/01/1978	Undefined	Barstow	Mojave & Silurian Valley
25	Alta 41GT	Natural Gas	73.0	66.5	01/01/1978	Undefined	Barstow	Mojave & Silurian Valley
26	Alta 42GT	Natural Gas	73.0	66.5	01/01/1978	Undefined	Barstow	Mojave & Silurian Valley

Table 1.0-B Generation in CAISO Queue Requesting Interconnection in the Kramer System

#	CAISO Queue #	Fuel Type	MW Nameplate Capacity	Net MW to Grid	Online Date ⁵ / Retirement Date	Electrical Studies	Deliverability Allocation	Permitting Status	GIA / PPA	RETI CREZ	DRECP DFA
1	125	Solar Thermal	366.0	250.0	07/07/2014 / 07/07/2044	Completed Serial Study	100%	Permits Complete	Yes / Yes	Barstow	West Mojave & Eastern Slopes
2	142	Solar Thermal	92.0	80.0	12/01/2016 / 12/01/2036	Completed Serial Study	100%	Unknown	Yes / No	Barstow	West Mojave & Eastern Slopes
3	909 ⁶	Solar Thermal	366.0	25.0	07/07/2014 / 07/07/2044	Complete Phase 2 Cluster Study	100%	Permits Complete	Yes / Yes	Barstow	West Mojave & Eastern Slopes
				Total =	458.0⁷	355.0					

⁵ The online date is the generation project's requested date as noted in the CAISO or SCE generation queues. The Retirement date is 20 years added to the online date. Many projects with online dates before the operational date of Coolwater-Lugo will need to wait for the Coolwater-Lugo to be in-service before they can generate as indicated in Table 1.0-N.

⁶ Q909 is a 25 MW increase to Q125.

⁷ Since Q125 and Q909 represent the same generation units, the nameplate capacity of 366.0 MW is only counted once.

Table 1.0-C Generation in SCE Queue Requesting Interconnection in Kramer System

#	SCE Queue #	Fuel Type	MW Nameplate Capacity	Net MW to Grid ⁸	Online Date ⁹ / Retirement Date	Electrical Studies	Deliverability Allocation	Permitting Status	GIA/ PPA	RETI CREZ	DRECP DFA
1	WDT315	Geothermal	49.9	40.7	12/31/2015 / 12/31/2045	Completed Phase 2 Cluster Study	100%	BLM & US Forest Service approved EIS/EIR on 08/13/2013	No / No	N/A	N/A
2	5707	Photovoltaic	1.1	0.0	12/09/2011 / 12/09/2031	Completed Rule 21 Interconnection Study	0%	Permitting Complete	Yes / N/A	Kramer	West Mojave & Eastern Slopes
3	5708	Photovoltaic	0.99	0.0	12/09/2011 / 12/09/2031	Completed Rule 21 Interconnection Study	0%	Permitting Complete	Yes / N/A	Kramer	West Mojave & Eastern Slopes
4	5709	Photovoltaic	1.1	0.0	12/09/2011 / 12/09/2031	Completed Rule 21 Interconnection Study	0%	Permitting Complete	Yes / N/A	Kramer	West Mojave & Eastern Slopes
5	5729	Photovoltaic	11.1	0.0	07/06/2012 / Undefined	Completed Rule 21 Interconnection Study	0%	Permitting Complete	Yes / N/A	Kramer	West Mojave & Eastern Slopes
6	5879	Photovoltaic	0.3	0.0	09/30/2013 / 09/30/2033	Completed Rule 21 Interconnection Study	0%	Permitting Complete	Yes / N/A	Barstow	West Mojave & Eastern Slopes

⁸ Net MW to Grid with “0” values indicate the projects will not export and will serve their own site load. However, projects installing generation to serve their own load effectively reduce the overall Kramer area load, which increases MW flows on the Kramer-Lugo Transmission Corridor and aggravates the existing transmission capacity bottleneck between Kramer and Lugo Substations.

⁹ The online date is the generation project’s requested date as noted in the CAISO or SCE generation queues. The Retirement date is 20 years added to the online date. Many projects with online dates before the operational date of Coolwater-Lugo will need to wait for the Coolwater-Lugo to be in-service before they can generate as indicated in Table 1.0-N.

Table 1.0-D Generation in CAISO Queue Requesting Interconnection at Jasper Substation

#	CAISO Queue #	Fuel Type	MW Nameplate Capacity	Net MW to Grid	Online Date ¹⁰ / Retirement Date	Electrical Studies	Deliverability Allocation	Permitting Status	GIA / PPA	RETI CREZ	DRECP DFA
1	552	Photovoltaic	60.0	60.0	04/30/2013 / 04/30/2033	Completed Phase 2 Cluster Study	100%	EIR submittal expected by 12/31/2014	No	San Bernardino-Lucerne	Pinto Lucerne Valley & Eastern Slopes
2	897	Photovoltaic	202.6	200.0	11/01/2015 / 11/01/2045	Completed Phase 2 Cluster Study	100%	Unknown	No	San Bernardino-Lucerne	Pinto Lucerne Valley & Eastern Slopes

Total = 262.6 260.0

¹⁰ The online date is the generation project's requested date as noted in the CAISO or SCE generation queues. The Retirement date is 20 years added to the online date. Many projects with online dates before the operational date of Coolwater-Lugo will need to wait for the Coolwater-Lugo to be in-service before they can generate as indicated in Table 1.0-N

Table 1.0-E RETI CREZ MW Located in the Kramer System

#	CREZ	Biomass MW	Geothermal MW	Solar Thermal MW	Wind MW	Total MW
1	Barstow	0	0	1,400	936	2,336
2	Inyokern	0	0	2,145	287	2,432
3	Kramer	0	24	6,185	203	6,412
4	Owens Valley	0	0	5,000	0	5,000

**Grand MW
Total = 16,180**

Table 1.0-F RETI CREZ MW Located in the Lucerne Valley Area

#	CREZ	Biomass MW	Geothermal MW	Solar Thermal MW	Wind MW	Total MW
1	Portions of San Bernardino-Lucerne	91	0	1,540	599	2,230

Table 1.0-G DRECP DFA MW Located in Kramer System

#	Ecoregion	Alternative 1 - Disturbed Lands/Low Resource Conflict	Alternative 2 - Geographically Balanced/Transmission Aligned B	Alternative 3 - West Mojave Emphasis Alternative	Alternative 4 - Geographically Balanced / Transmission Aligned A	Alternative 5 - Increased Geographic / Technology Flexibility	Alternative 6 - Geographically Balanced Alt C with Variance Lands
		MW	MW	MW	MW	MW	MW
1	Owens River Valley	237	160	70	191	196	175
2	Portions of the West Mojave and Eastern Slopes	5,407	6,801	11,893	6,515	6,628	7,033
3	Portions of the Mojave and Silurian Valley	866	666	837	669	770	544

Total = 6,510 7,627 12,800 7,375 7,594 7,752

Table 1.0-H DRECP DFA MW Located in Lucerne Valley Area

#	Ecoregion	Alternative 1 - Disturbed Lands/Low Resource Conflict	Alternative 2 - Geographically Balanced/Transmission Aligned B	Alternative 3 - West Mojave Emphasis Alternative	Alternative 4 - Geographically Balanced / Transmission Aligned A	Alternative 5 - Increased Geographic / Technology Flexibility	Alternative 6 - Geographically Balanced Alt C with Variance Lands
		MW	MW	MW	MW	MW	MW
1	Portions of Pinto Lucerne Valley and Eastern Slopes	1,518	1,426	2,595	1,686	1,597	1,300

Table 1.0-I RPS Portfolios for 2014 LTPP and 2014-15 TPP

CREZ	33% 2024 Mid AAEE	33% 2024 LowMid AAEE	33% High Load Mid AAEE	High DG 33% 2024 Mid AAEE + DSM	High DG 40% 2024 HighMid AAEE + Higher DSM	High DG 40% 2024 Mid AAEE	33% 2024 Mid AAEE (sensitivity)
Kramer	642	642	642	62	642	642	642
San Bernardino-Lucerne	87	87	147	42	87	147	42
MW Totals =	729	729	789	104	729	789	684

Table 1.0-M Studies Supporting the Need for Coolwater-Lugo

#	Study or Filing	Date	Performed by ¹¹	Study Results & Relation to Coolwater-Lugo
1	Harper Lake Solar Plant Generator Interconnection Feasibility Study	4/2/07	CAISO & SCE	The Q125 Mojave Solar Project's incremental MW output causes base case and contingency overloads on the Kramer-Lugo 220 kV lines in the Kramer-Lugo Transmission Corridor. The Coolwater-Lugo 220 kV line is the evolution of the previously prescribed upgrades to provide another power path from Kramer to Lugo in order to mitigate the identified overloads and safely and reliability interconnect the Q125 Mojave Solar Project.
2	Harper Lake Solar Plant Project Interconnection System Impact Study	6/27/08	CAISO & SCE	The Q125 Mojave Solar Project's incremental MW output causes base case and contingency overloads on the Kramer-Lugo 220 kV lines in the Kramer-Lugo Transmission Corridor. The Coolwater-Lugo 220 kV line is the evolution of the previously prescribed upgrades to provide another power path from Kramer to Lugo in order to mitigate the identified overloads and safely and reliability interconnect the Q125 Mojave Solar Project.
3	KM Acquisitions Interconnection System Impact Study	7/29/08	CAISO & SCE	The Q142 KM Acquisitions Project's incremental MW output causes base case and contingency overloads on the Kramer-Lugo 220 kV lines in the Kramer-Lugo Transmission Corridor. The Coolwater-Lugo 220 kV line is the evolution of the previously prescribed upgrades to provide another power path from Kramer to Lugo in order to mitigate the identified overloads and safely and reliability interconnect the Q142 KM Acquisitions Project.
4	Harper Lake Solar Plant Project Technical Assessment	12/12/08	SCE	This study took into account various queued ahead generation project withdrawals and determined the Q125 Mojave Solar Project's incremental MW output causes base case and contingency overloads on the Kramer-Lugo 220 kV lines in the Kramer-Lugo Transmission Corridor. The Coolwater-Lugo 220 kV line was specifically identified to provide another power path from Kramer to Lugo to mitigate the identified overloads in order to safely & reliability interconnect the Q125 Mojave Solar Project.
5	KM Acquisitions Technical Assessment	12/18/08	SCE	This study took into account various queued ahead generation project withdrawals and determined the Q142 KM Acquisitions Project's incremental MW output causes base case and contingency overloads on the Kramer-Lugo 220 kV lines in the Kramer-Lugo Transmission Corridor. The Coolwater-Lugo 220 kV line was specifically identified to provide another power path from Kramer to Lugo to mitigate the identified overloads in order to safely & reliability interconnect the Q142 KM Acquisitions Project.
6	CAISO LGIP Transition Cluster Phase 1 Interconnection Study SCE's East of Lugo Bulk System Group Network Analysis	7/28/09	CAISO & SCE	The incremental output of the Transition Cluster Phase 1 East of Lugo generation projects required the Coolwater-Lugo 220 kV line in order to provide additional transmission capacity in the Kramer System.
7	LGIP Cluster 1 Phase 1 Interconnection Study Report SCE's East of Lugo Bulk System	5/28/10	CAISO & SCE	The incremental output of the Cluster 1 Phase 1 East of Lugo generation projects required the Coolwater-Lugo 220 kV line in order to provide additional transmission capacity in the Kramer System.
8	Transition Cluster Phase II Interconnection Study Report SCE's East of Lugo Bulk System	8/12/10	CAISO & SCE	This study took into account various queued generation withdrawals and modifications from Transition Cluster Phase 1 to Transition Cluster Phase 2 and required the Coolwater-Lugo 220 kV line in order to provide additional transmission capacity in the Kramer System.
9	QC 2 Phase 1 Interconnection Report SCE's East of Lugo Bulk System	11/12/10	CAISO & SCE	The incremental output of the QC 2 Phase 1 Interconnection East of Lugo generation projects required the Coolwater-Lugo 220 kV line in order to provide additional transmission capacity in the Kramer System.

¹¹ Generation interconnection studies are not public proceedings or final decisions. The CAISO Annual Transmission Plans are public proceedings, but final decisions.

#	Study or Filing	Date	Performed by ¹¹	Study Results & Relation to Coolwater-Lugo
10	FERC Incentive Filing	3/11/11	FERC	Final decision granting SCE recovery of 100 percent construction work in progress (CWIP) and recovery of 100 percent of prudently-incurred abandoned plant costs for most project components of Coolwater-Lugo.
11	CAISO 2010-2011 Transmission Plan	5/18/11	CAISO & SCE	The Coolwater-Lugo 220 kV line is identified as an element supporting renewable energy goals, as being needed for deliverability in three of the four studied planning scenarios, as having 600 MW Renewable Deliverability Potential, as a project that defers the need for the CAISO to approve additional transmission projects in order to meet California's 33% RPS goals.
12	QC 3 Phase 1 Interconnection Study Report SCE's East of Lugo Bulk System	5/27/11	CAISO & SCE	The incremental output of the QC 3 Phase 1 Interconnection East of Lugo generation projects required the Coolwater-Lugo 220 kV line in order to provide additional transmission capacity in the Kramer System.
13	Queue Cluster 1 & 2 Phase II Interconnection Study Report SCE's East of Lugo Bulk System	8/26/11	CAISO & SCE	This study took into account various queued generation withdrawals and modifications from Queue Cluster 1 & 2 Phase I to Queue Cluster 1 & 2 Phase II and required the Coolwater-Lugo 220 kV line in order to provide additional transmission capacity in the Kramer System.
14	Queue Cluster 4 Phase I Interconnection System Report SCE's North of Lugo Bulk System	12/31/11	CAISO & SCE	The incremental output of the Queue Cluster 4 Phase I Interconnection North of Lugo generation projects required the Coolwater-Lugo 220 kV line in order to provide additional transmission capacity in the Kramer System.
15	Cluster 1 & 2 Deliverability Re-Assessment	1/31/12	CAISO	This study was performed by the CAISO pursuant to the 10/31/12 Technical Bulletin on Cluster 1-4 Deliverability Procedures and for the sole purpose of applying those procedures to Cluster 1 & Cluster 2. This analysis concluded the Coolwater-Lugo 220 kV T/L was still required in order to provide additional transmission capacity.
16	CAISO 2011-2012 Transmission Plan	3/23/12	CAISO & SCE	The Coolwater-Lugo 220 kV line is identified as modeled in the policy-driven planning base cases, as serving the Kramer, Inyokern, Owens Valley, and San Bernardino-Lucerne CREZs, and as a project that defers the need for the CAISO to approve additional transmission projects in order to meet California's 33% RPS goals.
17	QC3 and QC4 Phase II Interconnection Study Report SCE's North of Lugo Bulk System	11/9/12	CAISO & SCE	This study took into account various queued generation withdrawals and modifications from Queue Cluster 3 & 4 Phase I to Queue Cluster 3 & 4 Phase II and required the Coolwater-Lugo 220 kV line in order to provide additional transmission capacity in the Kramer System.
18	Queue Cluster 5 Phase I Interconnection Study Report SCE's North of Lugo System	1/31/13	CAISO & SCE	The incremental output of the Queue Cluster 5 Phase I Interconnection North of Lugo generation projects required the Coolwater-Lugo 220 kV line in order to provide additional transmission capacity in the Kramer System.
19	CAISO 2012-2013 Transmission Plan	3/20/13	CAISO & SCE	The Coolwater-Lugo 220 kV line is identified as ensuring the deliverability of 750 MW of renewable generation in the Kramer zone and 106 MW in the Lucerne zone, in the Commercial Interest portfolio. The Coolwater-Lugo 220 kV line was also identified to address the diverged power flow solution on the Kramer 230 kV-Lugo 230 kV #1 and #2 lines contingency, as needed additional network transmission to support renewable energy goals, as providing 700-1,100 MW of deliverability, and as a project that defers the need for the CAISO to approve additional transmission projects in order to meet California's 33% RPS goals.
20	QC5 Phase II Interconnection Report SCE North of Lugo Area	12/3/13	CAISO & SCE	This study took into account various queued generation withdrawals and modifications from Queue Cluster 5 Phase I to Queue Cluster 5 Phase II and required the Coolwater-Lugo 220 kV line in order to provide additional transmission capacity in the Kramer System.

#	Study or Filing	Date	Performed by ¹¹	Study Results & Relation to Coolwater-Lugo
21	Queue Cluster 6 Phase I Interconnection Study Report SCE North of Lugo Area	1/17/14	CAISO & SCE	The incremental output of the Queue Cluster 5 Phase 1 Interconnection North of Lugo generation projects required the Coolwater-Lugo 220 kV line in order to provide additional transmission capacity in the Kramer System.
22	CAISO 2013-2014 Transmission Plan	3/12/14	CAISO & SCE	The Coolwater-Lugo 220 kV line is identified as needed additional network transmission to support renewable energy goals and as a project that defers the need for the CAISO to approve additional transmission projects in order to meet California's 33% RPS goals.

Table 1.0-N Queued Kramer & Jasper Generation & Coolwater-Lugo Need

#	CAISO or SCE Queue #	Net MW to Grid	Point of Interconnection	Coolwater-Lugo Need
1	125	250.0	Sandlot Substation	Q125's MW output will flow to the capacity constrained Kramer-Lugo transmission corridor, consume that corridor's remaining capacity, and create Base Case and contingency overloads. Coolwater-Lugo is needed to create a new transmission path from Kramer to Lugo, which will allow a significant amount of power accumulating at the Kramer, Sandlot, and Coolwater 220 kV Substations to bypass the Kramer-Lugo transmission corridor, thus alleviating the capacity constraint.
2	142	80.0	Kramer Substation	Q142's MW output will flow to the capacity constrained Kramer-Lugo transmission corridor and aggravate the constraint. Coolwater-Lugo is needed to create a new transmission path from Kramer to Lugo, which will allow a significant amount of power accumulating at the Kramer, Sandlot, and Coolwater 220 kV Substations to bypass the Kramer-Lugo transmission corridor, thus alleviating the capacity constraint.
3	909	25.0	Sandlot Substation	Q909's MW output will flow to the capacity constrained Kramer-Lugo transmission corridor and aggravate the constraint. Coolwater-Lugo is needed to create a new transmission path from Kramer to Lugo, which will allow a significant amount of power accumulating at the Kramer, Sandlot, and Coolwater 220 kV Substations to bypass the Kramer-Lugo transmission corridor, thus alleviating the capacity constraint.
4	WDT315	40.7	Control Substation	WDT315's MW output will flow to the capacity constrained Kramer-Lugo transmission corridor and aggravate the constraint. Coolwater-Lugo is needed to create a new transmission path from Kramer to Lugo, which will allow a significant amount of power accumulating at the Kramer, Sandlot, and Coolwater 220 kV Substations to bypass the Kramer-Lugo transmission corridor, thus alleviating the capacity constraint.
5	5707	0.0	Edwards Substation	5707 is a 1.1 MW non-export project which will serve its own electrical load, thus causing the overall Kramer System load to be reduced by 1.1 MW, and which increases the amount of excessive MW accumulating at Kramer Substation by 1.1 MW, and which will aggravate the Kramer-Lugo transmission constraint.
6	5708	0.0	Edwards Substation	5708 is a 0.99 MW non-export project which will serve its own electrical load, thus causing the overall Kramer System load to be reduced by 0.99 MW, and which increases the amount of excessive MW accumulating at Kramer Substation by 0.99 MW, and which will aggravate the Kramer-Lugo transmission constraint.

#	CAISO or SCE Queue #	Net MW to Grid	Point of Interconnection	Coolwater-Lugo Need
7	5709	0.0	Edwards Substation	5709 is a 1.1 MW non-export project which will serve its own electrical load, thus causing the overall Kramer System load to be reduced by 1.1 MW, and which increases the amount of excessive MW accumulating at Kramer Substation by 1.1 MW, and which will aggravate the Kramer-Lugo transmission constraint.
8	5729	0.0	Rickover 33 kV line	5729 is a 11.1 MW non-export project which will serve its own electrical load, thus causing the overall Kramer System load to be reduced by 11.1 MW, and which increases the amount of excessive MW accumulating at Kramer Substation by 11.1 MW, and which will aggravate the Kramer-Lugo transmission constraint.
9	5879	0.0	Montara 33 kV line	5879 is a 0.3 MW non-export project which will serve its own electrical load, thus causing the overall Kramer System load to be reduced by 0.3MW, and which increases the amount of excessive MW accumulating at Kramer Substation by 0.3 MW, and which will aggravate the Kramer-Lugo transmission constraint.
10	WDT930	20.0	Baroid 33 kV line	Q930's MW output will flow to the capacity constrained Kramer-Lugo transmission corridor and aggravate the constraint. Coolwater-Lugo is needed to create a new transmission path from Kramer to Lugo, which will allow a significant amount of power accumulating at the Kramer, Sandlot, and Coolwater 220 kV Substations to bypass the Kramer-Lugo transmission corridor, thus alleviating the capacity constraint.
11	WDT931	20.0	Remote 33 kV line	Q931's MW output will flow to the capacity constrained Kramer-Lugo transmission corridor and aggravate the constraint. Coolwater-Lugo is needed to create a new transmission path from Kramer to Lugo, which will allow a significant amount of power accumulating at the Kramer, Sandlot, and Coolwater 220 kV Substations to bypass the Kramer-Lugo transmission corridor, thus alleviating the capacity constraint.
12	552	60.0	Jasper Substation	The combined MW output of Q552 & Q897 will exceed the transmission capacity on the existing Lugo-Pisgah No.1 220 kV line. Coolwater-Lugo will rebuild the portion this line from the Jasper Substation area, west to Lugo Substation and would provide additional capacity to accommodate Q552 & Q897.
13	897	200.0	Jasper Substation	The combined MW output of Q552 & Q897 will exceed the transmission capacity on the existing Lugo-Pisgah No.1 220 kV line. Coolwater-Lugo will rebuild the portion this line from the Jasper Substation area, west to Lugo Substation and would provide additional capacity to accommodate Q552 & Q897.

Total = 695.7

Table 1.0-O Purpose & Need Justification for the Coolwater-Lugo Elements

Element ¹²	Purpose and Need	Mojave Solar LGIA	FERC Incentive Filing	Future CAISO Study, Review, or Approval?	Estimated Need Date
Substations					
Coolwater	<ul style="list-style-type: none"> Minimum Build: 220 kV switchyard reconfiguration and supporting equipment required to terminate new transmission line Initial Build: Same as Minimum Build Full Build: Same as Minimum Build 	Minimum Build	Minimum Build	Not required	2018
Desert View	<ul style="list-style-type: none"> Minimum Build: Four-position 220 kV switchrack including all supporting infrastructure located on 86 acres but grading only 13.5 acres and installing a chain link fence around the 13.5 acres. Required to connect four 220 kV transmission lines, facilitate future generation interconnections, future load serving, and future reliability. Initial Build: Same as Minimum Build except for grading the entire 86 acres and installing perimeter wall around the 86 acres instead of a chain link fence around the 13.5 acres. Full Build: Install 500 kV, additional 220 kV, 115 kV, and 12 kV substation facilities. Required at a future point to serve future generation interconnections, load, and reliability. 	Minimum Build Not included in LGIA since LGIA assumed Jasper was moving forward	Minimum Build Not included in FERC filing since FERC filing contemplated Jasper moving forward	Minimum & Initial Build – It is SCE’s belief that further CAISO Study, Review, Approval is Not Required. Full Build – The CAISO would study, review and approve the 500 kV & 220 kV Desert View elements expanded beyond the initial 4-position 220 kV switchrack.	Minimum Build – 2018 Initial Build – 2018 Portions of Full Build – 2025 to 2029
Lugo	<ul style="list-style-type: none"> Minimum Build: 220 kV switchyard supporting equipment required to terminate new transmission line. Initial Build: Same as Minimum Build Full Build: Same as Minimum Build 	Minimum Build	Minimum Build	Not Required	2018

¹² The Lugo No. 3AA 500/220kV transformer bank was removed from this table since it is no longer included as a Coolwater-Lugo element.

Coolwater- Lugo Transmission Line					
Coolwater to Lugo-Pisgah corridor (Seg. 12,1,2,3)	<ul style="list-style-type: none"> Minimum Build: Double-circuit single side strung capacity necessary for Full Delivery of the Mojave Solar Project. Initial Build: Double-circuit both sides strung. Required to provide the additional transmission capacity necessary for Full Delivery of the Mojave Solar Project. Stringing both sides is needed to eliminate future environmental impacts associated with stringing second circuit at a later date and minimize overall cost of stringing both sides by maximizing use of resources during initial construction. Full Build: Same as Initial Build 	Minimum Build	Initial Build	It is SCE's belief that further CAISO Study, Review, Approval is Not Required.	2018
Lugo-Pisgah Corridor to Desert View (Seg. 5 and 5A)	<ul style="list-style-type: none"> Minimum Build: Double-circuit both sides strung located on existing ROW by removing portion of the existing Lugo-Pisgah No.1 220 kV T/L. Required to provide the additional transmission capacity necessary for Full Delivery of the Mojave Solar Project and to reestablish the portion of existing Lugo-Pisgah No.1 220 kV T/L removed to use existing ROW. Initial Build: Same as Minimum Build Full Build: Same as Minimum Build 	Minimum Build with one side strung since FERC filing contemplated Jasper Substation and new Lugo-Pisgah 500 kV T/L with Pisgah 500 kV Substation in-service as part of separate project.	Minimum Build with one side strung since FERC filing contemplated Jasper Substation and new Lugo-Pisgah 500 kV T/L with Pisgah 500 kV Substation in-service as part of separate project.	It is SCE's belief that further CAISO Study, Review, Approval is Not Required.	2018
Desert View to Lugo (Seg. 7)	<ul style="list-style-type: none"> Minimum Build: Single-circuit 500 kV transmission line (2B-2156 ACSR), initially energized at 220 kV, replacing the two existing Lugo-Pisgah No.1 and No.2 220 kV T/Ls. Required to provide the additional transmission capacity necessary for Full Delivery of the Mojave Solar Project. Initial Build: Same as Initial Build Full Build: Same as Initial Build 	Minimum Build	Minimum Build	It is SCE's belief that further CAISO Study, Review, Approval is Not Required.	2018
Telecommunications					

Fiber Optics, Microwave, and other supporting equipment	Telecommunications needed to support Coolwater-Desert View, Desert View-Lugo, and Desert View-Pisgah line protection and Special Protection System	Minimum Build	Portion ¹³ of Minimum Build since FERC filing contemplated Jasper Substation and new Lugo-Pisgah 500 kV T/L with Pisgah 500 kV Substation in-service as part of separate project.	Not required	2018
---	--	---------------	--	--------------	------

¹³ Since the FERC Filing contemplated Jasper Substation and new Lugo-Pisgah 500 kV T/L with Pisgah 500 kV Substation in-service as part of separate project, it did not include the Apple Valley-Desert View fiber optic.

Figure 1.0-A Existing Kramer-Lugo & Lugo-Pisgah Transmission System

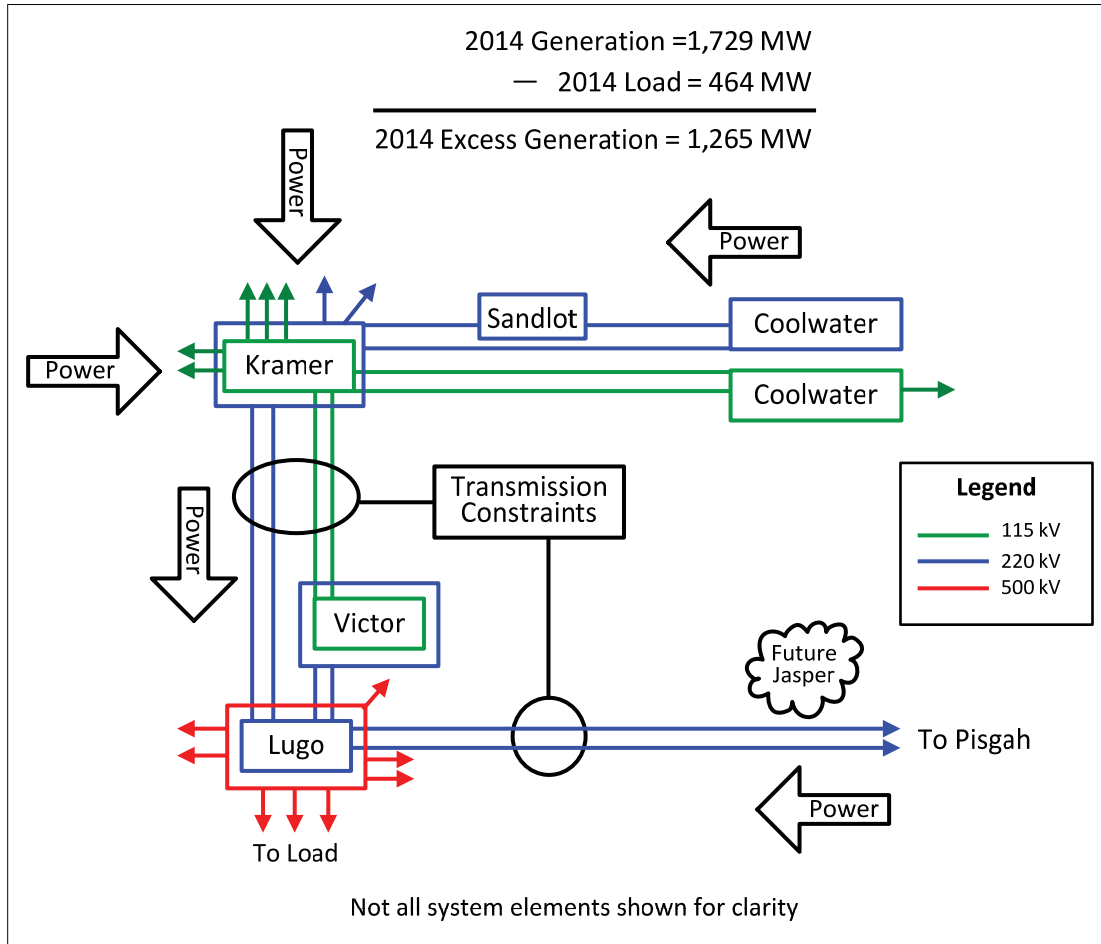


Figure 1.1-A Victor Substation Load Growth

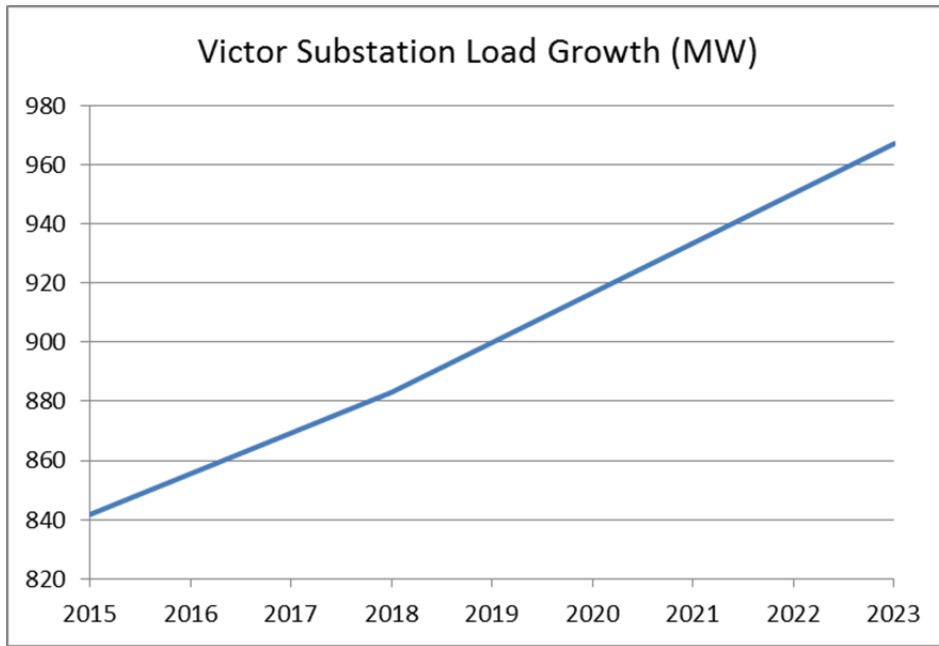
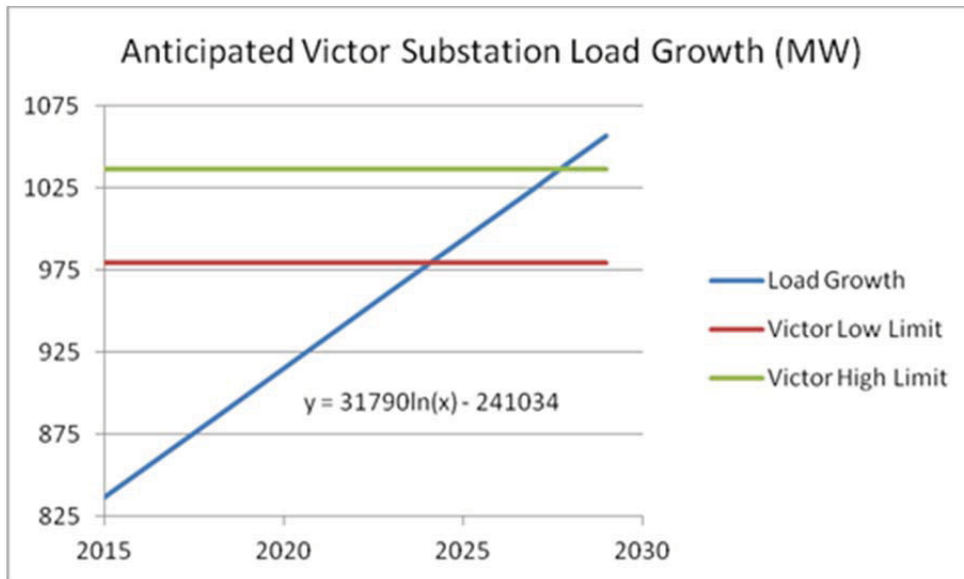


Figure 1.1-B Anticipated Victor Substation Load Growth



Appendix L

TABLE OF CONTENTS FOR DVD AND PUBLIC VERSION DVD

Contents of DVD - Studies, LGIAs, Decisions, and Amended PEA Chapter 3

Table 1.0-M Studies Supporting the Need for Coolwater-Lugo

#	Study	Date	Confidential (see Note)
1	Harper Lake Solar Plant Generator Interconnection Feasibility Study	4/2/07	Yes - CEII and Generation Developer Design Information
2	Harper Lake Solar Plant Project Interconnection System Impact Study	6/27/08	Yes - CEII
3	KM Acquisitions Interconnection System Impact Study	7/29/08	Yes - CEII and Generation Developer Design Information
4	Harper Lake Solar Plant Project Technical Assessment	12/12/08	Yes - CEII and Generation Developer Design Information
5	KM Acquisitions Technical Assessment	12/18/08	Yes - CEII and Generation Developer Design Information
6	CAISO LGIP Transition Cluster Phase 1 Interconnection Study SCE's East of Lugo Bulk System Group Network Analysis	7/28/09	Yes - CEII
7	LGIP Cluster 1 Phase 1 Interconnection Study Report SCE's East of Lugo Bulk System	5/28/10	Yes - CEII
8	Transition Cluster Phase II Interconnection Study Report SCE's East of Lugo Bulk System	8/12/10	Yes - CEII
9	QC 2 Phase 1 Interconnection Report SCE's East of Lugo Bulk System	11/12/10	Yes - CEII
10	FERC Incentive Filing	3/11/11	No
11	CAISO 2010-2011 Transmission Plan	5/18/11	Yes - CEII
12	QC 3 Phase 1 Interconnection Study Report SCE's East of Lugo Bulk System	5/27/11	Yes - CEII
13	Queue Cluster 1 & 2 Phase II Interconnection Study Report SCE's East of Lugo Bulk System	8/26/11	Yes - CEII
14	Queue Cluster 4 Phase 1 Interconnection System Report SCE's North of Lugo Bulk System	12/31/11	Yes - CEII
15	Cluster 1 & 2 Deliverability Re-Assessment	1/31/12	No
16	CAISO 2011-2012 Transmission Plan	3/23/12	Yes - CEII
17	QC3 and QC4 Phase II Interconnection Study Report SCE's North of Lugo Bulk System	11/9/12	Yes - CEII
18	Queue Cluster 5 Phase 1 Interconnection Study Report SCE's North of Lugo System	1/31/13	Yes - CEII
19	CAISO 2012-2013 Transmission Plan	3/20/13	No
20	QC5 Phase II Interconnection Report SCE North of Lugo Area	12/3/13	Yes - CEII
21	Queue Cluster 6 Phase 1 Interconnection Study Report SCE North of Lugo Area	1/17/14	Yes - CEII
22	CAISO 2013-2014 Transmission Plan	3/12/14	No

Miscellaneous Reports

#	Study	Date	Confidential (see Note)
23	Harper Lake Facilities Study	10/30/09	Yes - CEII and Generation Developer Design Information
24	2010 GovEnergy Tindal Presentation	8/16/10	No
25	On-Peak Deliverability Assessment Methodology	4/9/09	No
26	Appendix L Estimating Future Generation Capacity	12/17/12	No
27	Amended Attachment 022714 ACR	2/27/14	No

Mojave Solar - LGIAs and FERC Decisions

#	LGIA or FERC Decision	Date	Confidential
28	FERC Order Approving Mojave Solar LGIA	1/28/11	No
29	Mojave Solar LGIA	1/30/11	No
30	Mojave Solar LGIA-Amended	10/24/13	No
31	FERC Order Approving Mojave Solar LGIA-Amended	11/20/13	No

Amended Proponent's Environmental Assessment (PEA) Chapter 3

#	Study	Date	Confidential
32	Amended PEA Chapter 3	4/25/14	No

Note: Critical Energy Infrastructure Information (CEII) and Generation Developer Design Information is not publicly available

Appendix M

JOINT STATEMENT OF PURPOSE AND NEED

**Joint Statement of Southern California Edison Company,
California Independent System Operator and Mojave Solar LLC**

SCE, CAISO, and Mojave Solar LLC, have conferred in an effort to create a Joint Statement as requested by the CPUC Administrative Law Judge in Application No. 13-08-023 regarding the need and purpose for individual CLTP project components required for interconnection of the Mojave Solar Project with full deliverability.

In this Joint Statement:

- SCE, CAISO and Mojave Solar LLC all concur that a new 220 kV circuit extending from Coolwater to Lugo is necessary to meet the deliverability requirements set out in the LGIA for the Mojave Solar Project. The SCE applied-for project meets those requirements.
- SCE, CAISO and Mojave Solar LLC all concur that it is reasonable to remove the Lugo No.3AA 500/220 kV transformer bank from the CLTP project at this time.

SCE has set out a Minimum Build Out Option consisting of the project components set forth in the table¹ below that meet the requirements of the Mojave Solar LLC LGIA for full deliverability. This option is a subset of the project components identified in Application No. 13-08-023 or modification to those components, and addresses further considerations that SCE believes must be met.

CLTP Project Components		
Substation	Description	Notes
Coolwater	220 kV Switchyard reconfiguration and supporting equipment	Required to terminate new transmission line at Coolwater.
Desert View	Initial 4 Position Switchrack including all supporting infrastructure	Grade 13.5 acres, chain link fence
Lugo	220 kV Switchyard supporting equipment	Required to terminate new transmission line at Lugo.
Transmission	Description	Notes
Segment 1	220 kV Double Circuit One side strung	
Segment 2	220 kV Double Circuit One side strung	
Segment 3	220 kV Double Circuit One side strung	
Segment 5	220 kV Double Circuit	Double-circuit within existing ROW by replacing a

¹ A more detailed description of these components is provided in the Proponent's Environmental Assessment

	To stay within ROW	portion of existing Lugo – Pisgah No.1 220 kV to keep two 220 kV T/Ls to Pisgah Sub and support new line to Coolwater (Coolwater line on north side of structure, Lugo-Pisgah No.1 on south side of structure)
Segment 5A	220 kV Double Circuit (Ingress into Desert View)	Double-circuit on new ROW to connect the existing Lugo – Pisgah No. 1 220 kV and new Coolwater 220 kV transmission line into the Desert View Substation.
Segment 7	Single Circuit (2B-2156 Conductor)	Single-circuit 2B-2156 high capacity conductor to connect Desert View to Lugo Substation utilizing existing ROW by replacing both Lugo – Pisgah No.1 and No. 2 220 kV T/Ls
Segment 12	220 kV Double Circuit One side strung	
Telecommunication	Description	Notes
Fiber Optics, Microwave, and other	<ul style="list-style-type: none"> Approximately 11-miles from existing Apple Valley 115/33 kV Substation to new Desert View Substation Approximately 29-miles from existing Gale 115/33 kV Substation to existing Pisgah Substation New microwave tower at existing Coolwater 220 kV Switchyard Other telecomm equipment (e.g. transponder, lightwave, optical amplifier) at Lugo, Desert View, Coolwater and Pisgah 	Telecomm needed to support Desert View-Lugo and Desert View-Pisgah line protection and Special Protection System.

SCE, CAISO and Mojave Solar LLC agree that the above project components provide full deliverability to Mojave Solar LLC consistent with the LGIA.

The CAISO has also identified an alternative configuration consisting of a 220kV single-circuit design directly connecting the Coolwater substation to the Lugo substation. This alternative would construct different tower structures, would not include a Desert View switchrack, and would require the elimination of one of the two existing Lugo-Pisgah 220 kV lines for purposes of making right-of-way available between the Jasper area and Lugo. Electrically, this CAISO alternative would also allow for the full deliverability of Mojave Solar LLC. The CAISO is not in a position to comment on the viability of this alternative to address Mojave Solar LLC's timing needs. SCE and Mojave Solar LLC are not in a position to comment on the impacts of the CAISO alternative configuration at this time.

SCE, CAISO and Mojave Solar LLC agree that SCE has identified reasons for constructing the SCE Minimum Build Out Option that the CPUC should consider in this proceeding.

Signed, Charles Adamson

Date: 4/24/2014

Name: Charles Adamson

for Southern California Edison Company

Signed, _____

Date: _____

Name: _____

for California Independent System Operator

Signed, _____

Date: _____

Name: _____

for Mojave Solar LLC

Signed, _____

Date: _____

Name: _____

for Southern California Edison Company

Signed, _____

Date: _____

Name: _____

for California Independent System Operator

Signed, _____, *EMILIANO GARCIA*

Date: *18 April 2014*

Name: *EMILIANO GARCIA*

for Mojave Solar LLC

Signed, _____

Date: _____

Name: _____

for Southern California Edison Company

Signed, Neil Miller

Date: April 24, 2014

Name: Neil Miller

for California Independent System Operator

Signed, _____

Date: _____

Name: _____

for Mojave Solar LLC

**BEFORE THE PUBLIC UTILITIES COMMISSION OF THE
STATE OF CALIFORNIA**

In the Matter of the Application of SOUTHERN)
CALIFORNIA EDISON COMPANY (U 338-E))
for a Certificate of Public Convenience and) A.13-08-023
Necessity for the Coolwater-Lugo Transmission)
Project)

CERTIFICATE OF SERVICE

I hereby certify that, pursuant to the Commission's Rules of Practice and Procedure, I have this day served a true copy of **AMENDED APPLICATION OF SOUTHERN CALIFORNIA EDISON COMPANY (U 338-E) FOR A CERTIFICATE OF PUBLIC CONVENIENCE AND NECESSITY TO CONSTRUCT THE COOLWATER-LUGO TRANSMISSION PROJECT – PUBLIC Version** on all parties identified on the attached service list **A.13-08-023**. Service was effected by one or more means indicated below:

- Transmitting the copies via e-mail to all parties who have provided an e-mail address.
- Placing the copies in sealed envelopes and causing such envelopes to be delivered by hand or by overnight courier to the offices of the Commissioner(s) or other addressee(s).

ALJ Irene K. Moosen
CPUC
505 Van Ness Ave.
San Francisco, CA 94102

Commissioner Michel Peter Florio
CPUC
505 Van Ness Ave.
San Francisco, CA 94102

Executed **April 25, 2014**, at Rosemead, California.

/S/ Monica L. Romero

Monica L. Romero
Project Analyst
SOUTHERN CALIFORNIA EDISON COMPANY

2244 Walnut Grove Avenue
Post Office Box 800
Rosemead, California 91770



California Public
Utilities Commission

CPUC Home

CALIFORNIA PUBLIC UTILITIES COMMISSION Service Lists

PROCEEDING: A1308023 - EDISON - FOR A CPCN
FILER: SOUTHERN CALIFORNIA EDISON COMPANY
LIST NAME: LIST
LAST CHANGED: APRIL 17, 2014

[DOWNLOAD THE COMMA-DELIMITED FILE](#)
[ABOUT COMMA-DELIMITED FILES](#)

[Back to Service Lists Index](#)

Parties

KEVIN DAVIS
 CRITICAL PATH TRANSMISSION LLC
 9400 LURLINE AVE., STE. A1
 CHATSWORTH, CA 91311
 FOR: CRITICAL PATH TRANSMISSION

TAMMY JONES
 ATTORNEY
 SOUTHERN CALIFORNIA EDISON COMPANY
 2244 WALNUT GROVE AVE./ PO BOX 800
 ROSEMEAD, CA 91770
 FOR: SOUTHERN CALIFORNIA EDISON COMPANY

MARK BOZIGIAN
 HIGH DESERT POWER AUTHORITY
 44933 FERN AVENUE
 LANCASTER, CA 93534
 FOR: HIGH DESERT POWER AUTHORITY

R.REX PARRIS
 MAYOR
 CITY OF LANCASTER
 44933 FERN AVENUE
 LANCASTER, CA 93534
 FOR: CITY OF LANCASTER

MARC D. JOSEPH
 ATTORNEY AT LAW
 ADAMS BROADWELL JOSEPH & CARDOZO
 601 GATEWAY BLVD. STE 1000
 SOUTH SAN FRANCISCO, CA 94080
 FOR: CALIFORNIA UNIONS FOR RELIABLE
 ENERGY (CURE)

CLEVELAND LEE
 CALIF PUBLIC UTILITIES COMMISSION
 LEGAL DIVISION
 ROOM 5122
 505 VAN NESS AVENUE
 SAN FRANCISCO, CA 94102-3214
 FOR: ORA

BRIAN T. CRAGG
 ATTORNEY
 GOODIN, MACBRIDE, SQUERI, DAY & LAMPREY
 505 SANSOME STREET, SUITE 900
 SAN FRANCISCO, CA 94111

MICHAEL DAY
 GOODIN MACBRIDE SQUERI DAY & LAMPREY LLP
 505 SANSOME STREET, STE. 900
 SAN FRANCISCO, CA 94111
 FOR: MOJAVE SOLAR, LLC

FOR: INDEPENDENT ENERGY PRODUCERS
ASSOCIATION

C. SUSIE BERLIN
LAW OFFICES OF SUSIE BERLIN
1346 THE ALAMEDA, STE. 7, NO. 141
SAN JOSE, CA 95126
FOR: THE BAY AREA MUNICIPAL
TRANSMISSION GROUP

JUDITH SANDERS
SENIOR COUNSEL
CALIFORNIA INDEPENDENT SYSTEM OPERATOR
250 OUTCROPPING WAY
FOLSOM, CA 95630
FOR: CALIFORNIA ISO

Information Only

BARRY FLYNN
EMAIL ONLY
EMAIL ONLY, CA 00000

JON DAVIDSON
ASPEN ENVIRONMENTAL GROUP
EMAIL ONLY
EMAIL ONLY, CA 00000

LISA BLEWITT
ASPEN ENVIRONMENTAL GROOUP
EMAIL ONLY
EMAIL ONLY, CA 00000

MEGHAN A. QUINN
ADAMS BROADWELL JOSEPH & CARDOZO
EMAIL ONLY
EMAIL ONLY, CA 00000

PUSHKAR WAGLE
EMAIL ONLY
EMAIL ONLY, CA 00000

WILLIAM STEPHENSON
CONSULTANT TO ENERGY DIVISION
EMAIL ONLY
EMAIL ONLY, CA 00000

DAVIS WRIGHT TREMAINE LLP
EMAIL ONLY
EMAIL ONLY, CA 00000

JAMES M. CORBOY
COMMERCIAL ADVISOR
ABENGOA TRANSMISSION & INFRASTRUCTURE
3030 NORTH CENTRAL AVENUE, 808W
PHOENIX, AZ 85012

ANGELA WHATLEY
ATTORNEY
SOUTHERN CALIFORNIA EDISON COMPANY
2244 WALNUT GROVE AVE. / PO BOX 800
ROSEMEAD, CA 91770

BETH A. GAYLORD
SOUTHERN CALIFORNIA EDISON COMPANY
2244 WALNUT GROVE AVE./PO BOX 800
ROSEMEAD, CA 91770

CASE ADMINISTRATION
SOUTHERN CALIFORNIA EDISON COMPANY
2244 WALNUT GROVE AVE., PO BOX 800
ROSEMEAD, CA 91770

ANN BRADLEY BEAUMONT
ASSOCIATE
PERKINS COIE LLP
11988 EL CAMINO REAL, SUITE 350
SAN DIEGO, CA 92130-2594

LAURA GODFREY ZAGAR
PERKINS COIE LLP
11988 EL CAMINO REAL, STE. 350
SAN DIEGO, CA 92130-3334

FREDERICK REDELL
GEN. MGR.
MOJAVE SOLAR LLC
13911 PARK AVE., STE. 206
VICTORVILLE, CA 92392

JAMIE L. MAULDIN
 ADAMS BROADWELL JOSEPH & CARDOZO
 601 GATEWAY BLVD., STE. 1000
 SO. SAN FRANCISCO, CA 94080
 FOR: CALIFORNIA UNIONS FOR RELIABLE
 ENERGY (CURE)

MICHAEL A. HYAMS
 POWER ENTERPRISE-REGULATORY AFFAIRS
 SAN FRANCISCO PUBLIC UTILITIES COMM
 525 GOLDEN GATE AVE., 7TH FLOOR
 SAN FRANCISCO, CA 94102-3220

WILLIAM K. SANDERS
 DEPUTY CITY ATTORNEY
 CITY AND COUNTY OF SAN FRANCISCO
 1 DR. CARLTON B. GOODLETT PL., RM 234
 SAN FRANCISCO, CA 94102-4682

JEFFREY P. GRAY
 DAVIS WRIGHT TREMAINE, LLP
 505 MONTGOMERY STREET, SUITE 800
 SAN FRANCISCO, CA 94111-6533

CALIFORNIA ENERGY MARKETS
 425 DIVISADERO ST STE 303
 SAN FRANCISCO, CA 94117-2242

ROBERT JENKINS
 FLYNN RCI
 5440 EDGEVIEW DRIVE
 DISCOVERY BAY, CA 94505
 FOR: THE BAY AREA MUNICIPAL
 TRANSMISSION GROUP

PHILLIP MULLER
 PRESIDENT
 SCD ENERGY SOLUTIONS
 436 NOVA ALBION WAY
 SAN RAFAEL, CA 94903

JUDITH B. SANDERS
 SR. COUNSEL
 CALIF. INDEPENDENT SYSTEM OPERATOR CORP
 250 OUTCROPPING WAY
 FOLSOM, CA 95630

STEVEN KELLY
 POLICY DIRECTOR
 INDEPENDENT ENERGY PRODUCERS ASSOCIATION
 1215 K STREET, STE. 900
 SACRAMENTO, CA 95814

State Service

JASON COONTZ
 CPUC
 ENERGY DIVISION
 EMAIL ONLY
 EMAIL ONLY, CA 00000

MERIDETH STERKEL
 CALIFORNIA PUBLIC UTILITIES COMMISSION
 EMAIL ONLY
 EMAIL ONLY, CA 00000

WILLIAM DIETRICH
 SR ANALYST
 CPUC - ENERGY DIV.
 505 VAN NESS AVE. RM. 4006
 SAN FRANCISCO, CA 94102

ANDREW BARNSDALE
 CALIF PUBLIC UTILITIES COMMISSION
 INFRASTRUCTURE PLANNING AND PERMITTING B
 AREA 4-A
 505 VAN NESS AVENUE
 SAN FRANCISCO, CA 94102-3214

CHARLES MEE
 CALIF PUBLIC UTILITIES COMMISSION
 ELECTRICITY PLANNING & POLICY BRANCH
 ROOM 4102
 505 VAN NESS AVENUE
 SAN FRANCISCO, CA 94102-3214

CHRISTOPHER MYERS
 CALIF PUBLIC UTILITIES COMMISSION
 ELECTRICITY PLANNING & POLICY BRANCH
 ROOM 4104
 505 VAN NESS AVENUE
 SAN FRANCISCO, CA 94102-3214

IRENE K. MOOSEN
CALIF PUBLIC UTILITIES COMMISSION
DIVISION OF ADMINISTRATIVE LAW JUDGES
ROOM 5103
505 VAN NESS AVENUE
SAN FRANCISCO, CA 94102-3214

JOSE ALIAGA-CARO
CALIF PUBLIC UTILITIES COMMISSION
ELECTRICITY PLANNING & POLICY BRANCH
AREA
505 VAN NESS AVENUE
SAN FRANCISCO, CA 94102-3214

JOSEPH A. ABHULIMEN
CALIF PUBLIC UTILITIES COMMISSION
ELECTRICITY PLANNING & POLICY BRANCH
ROOM 4209
505 VAN NESS AVENUE
SAN FRANCISCO, CA 94102-3214

JULIE A. FITCH
CALIF PUBLIC UTILITIES COMMISSION
EXECUTIVE DIVISION
ROOM 5214
505 VAN NESS AVENUE
SAN FRANCISCO, CA 94102-3214

[TOP OF PAGE](#)
[BACK TO INDEX OF SERVICE LISTS](#)