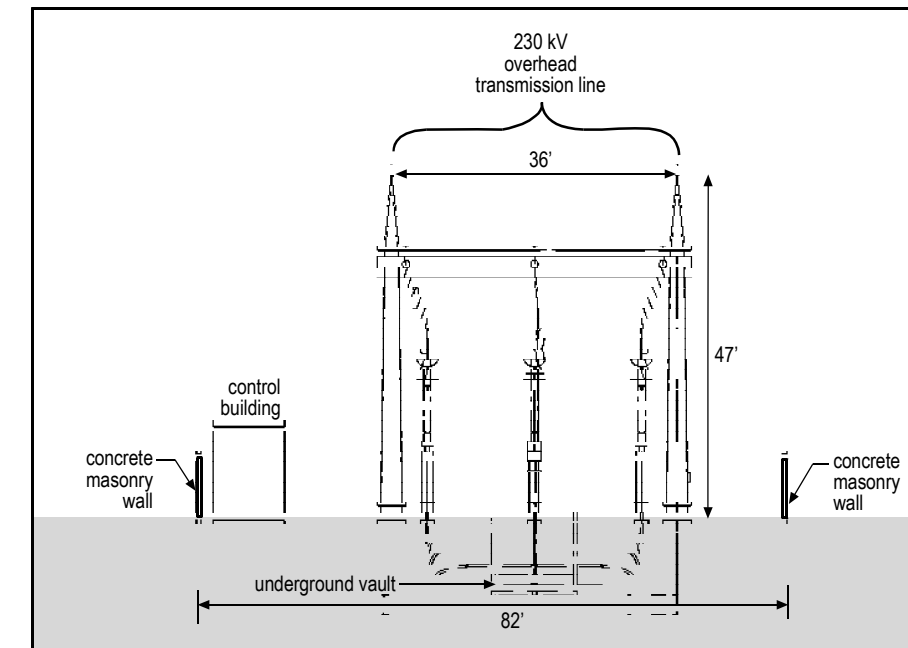




View: East towards Glenview Drive



View: North from San Bruno Avenue

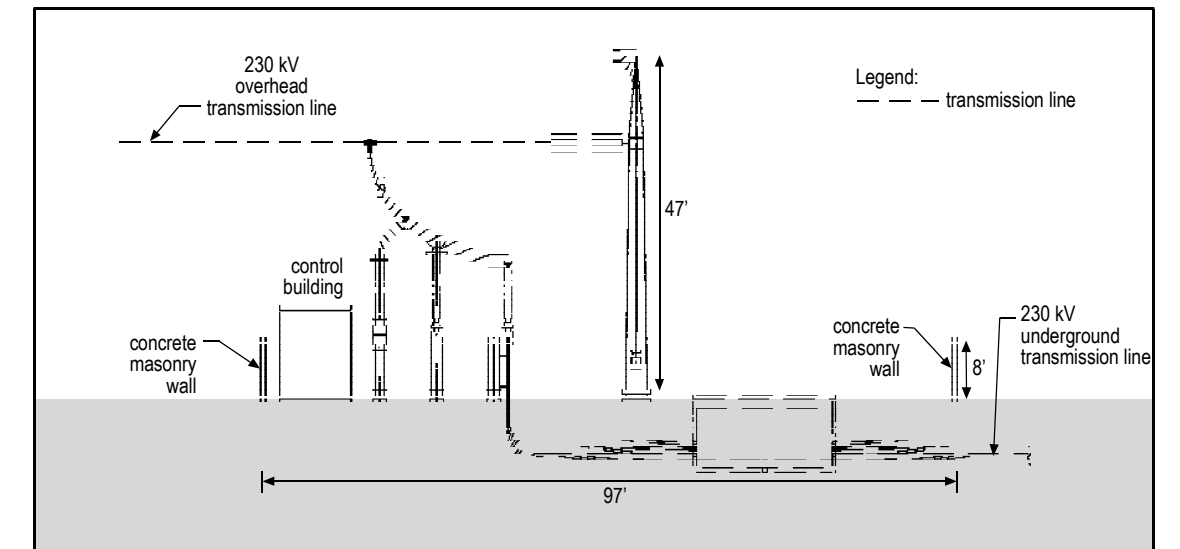


Figure 2-14
Transition Station
Jefferson-Martin 230 kV Transmission Project

