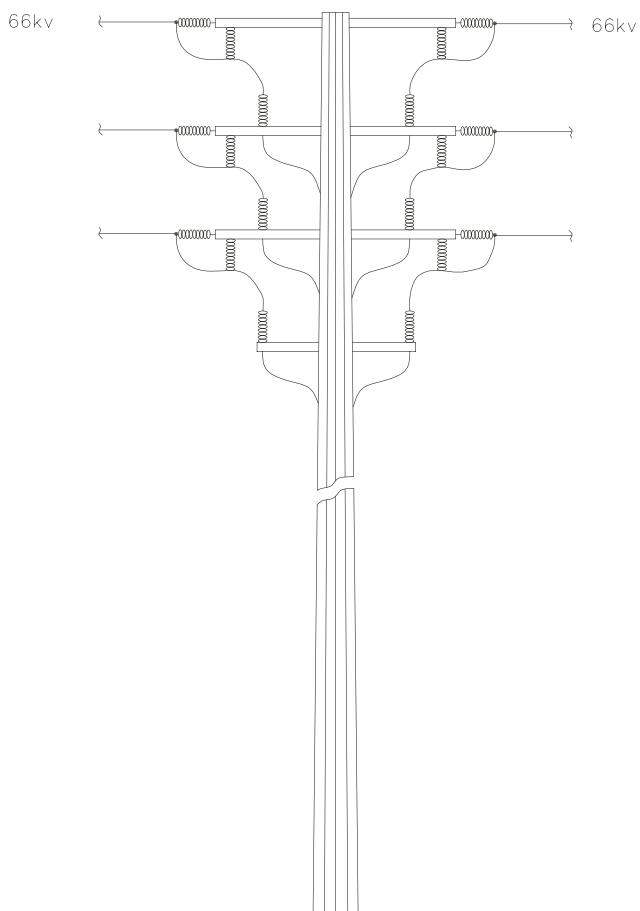
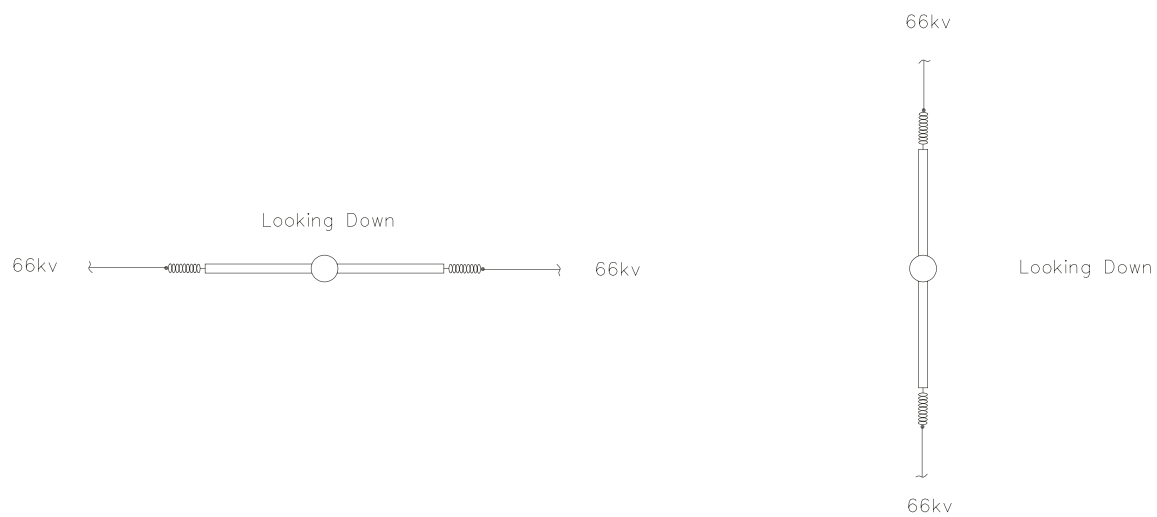
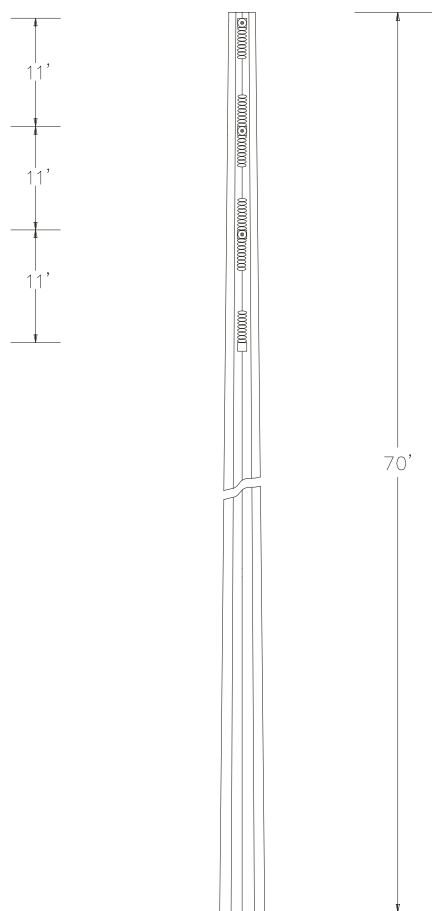


Dbl. Ckt. Riser at Riggin Ave. and Mooney Blvd.



Looking South



Looking East

Riverway Substation Project

Figure 3-4
**Pole Proposed for Underground
 Subtransmission Route**



ENTRIX

