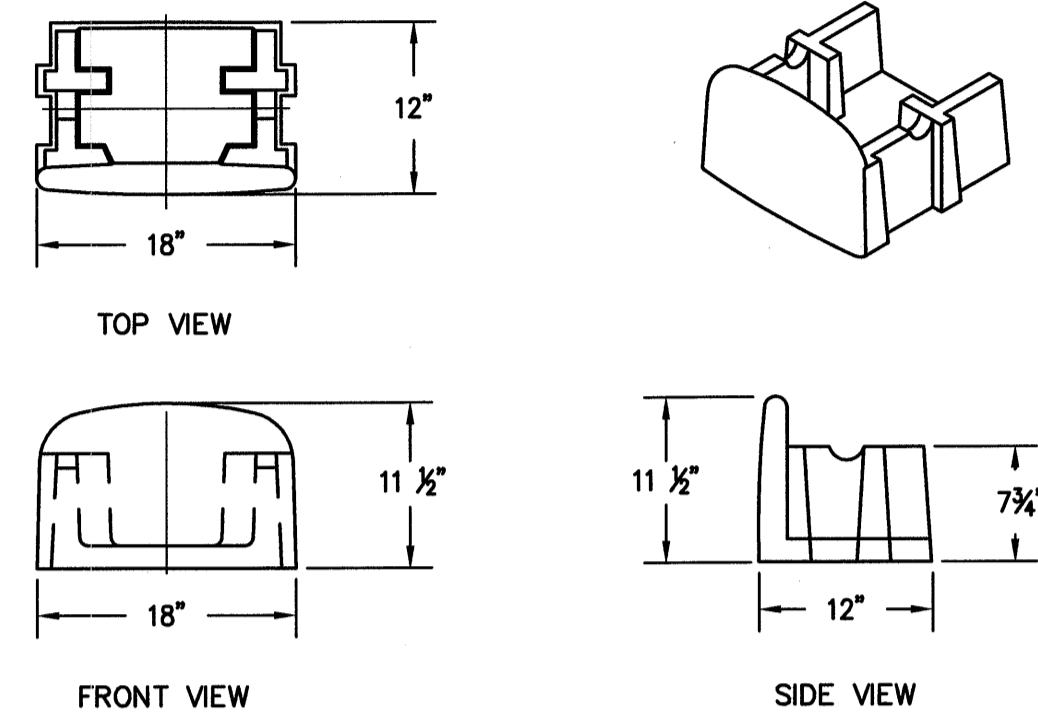
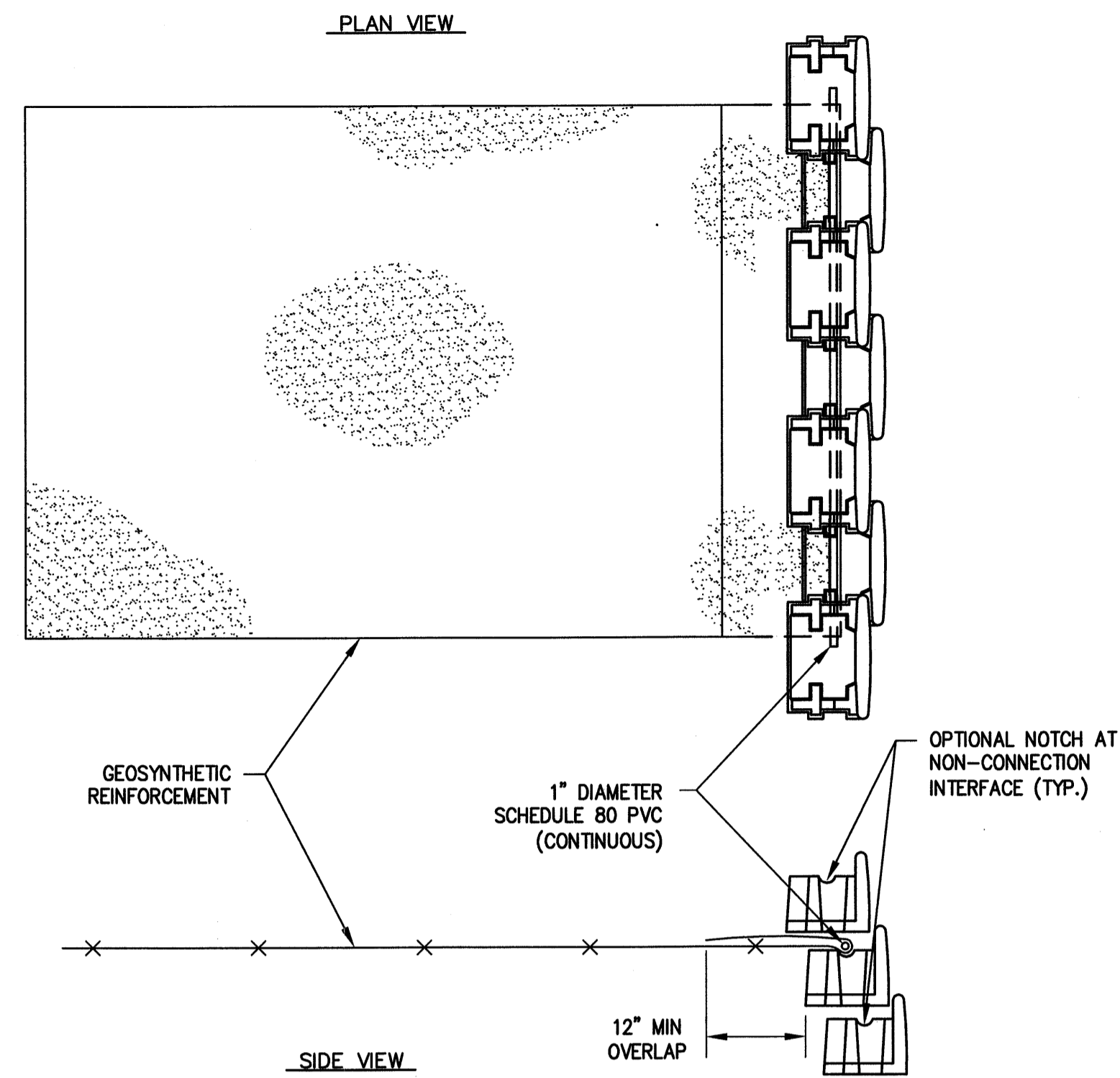


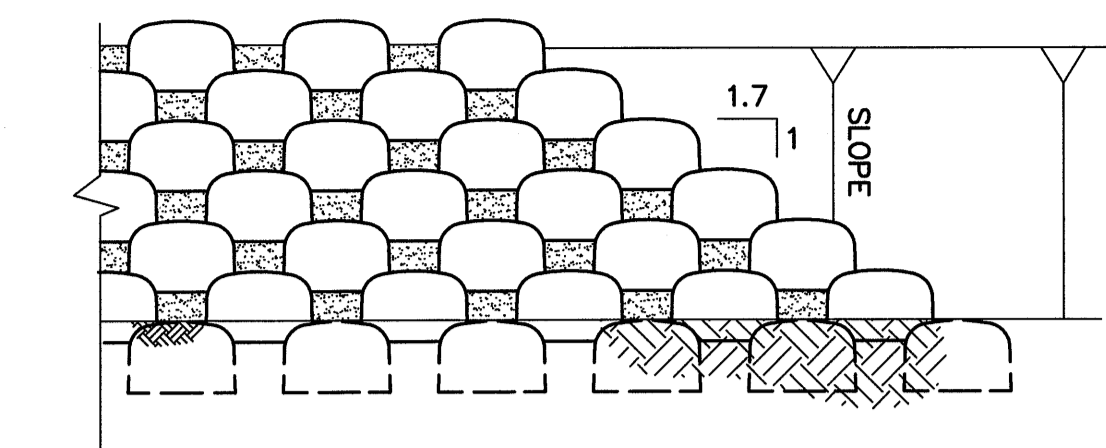
BLOCK SPACING DETAIL



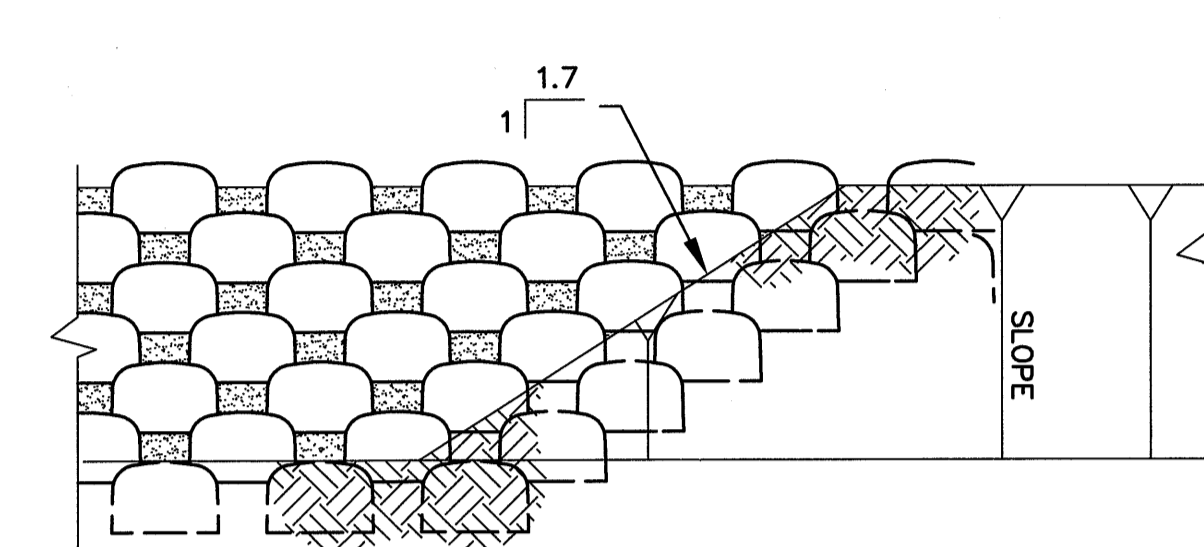
VERDURA 40 BLOCK DETAIL



SIDE VIEW



CASE B



CASE C

A VERDURA 40 BLOCK AND SPACING DETAIL

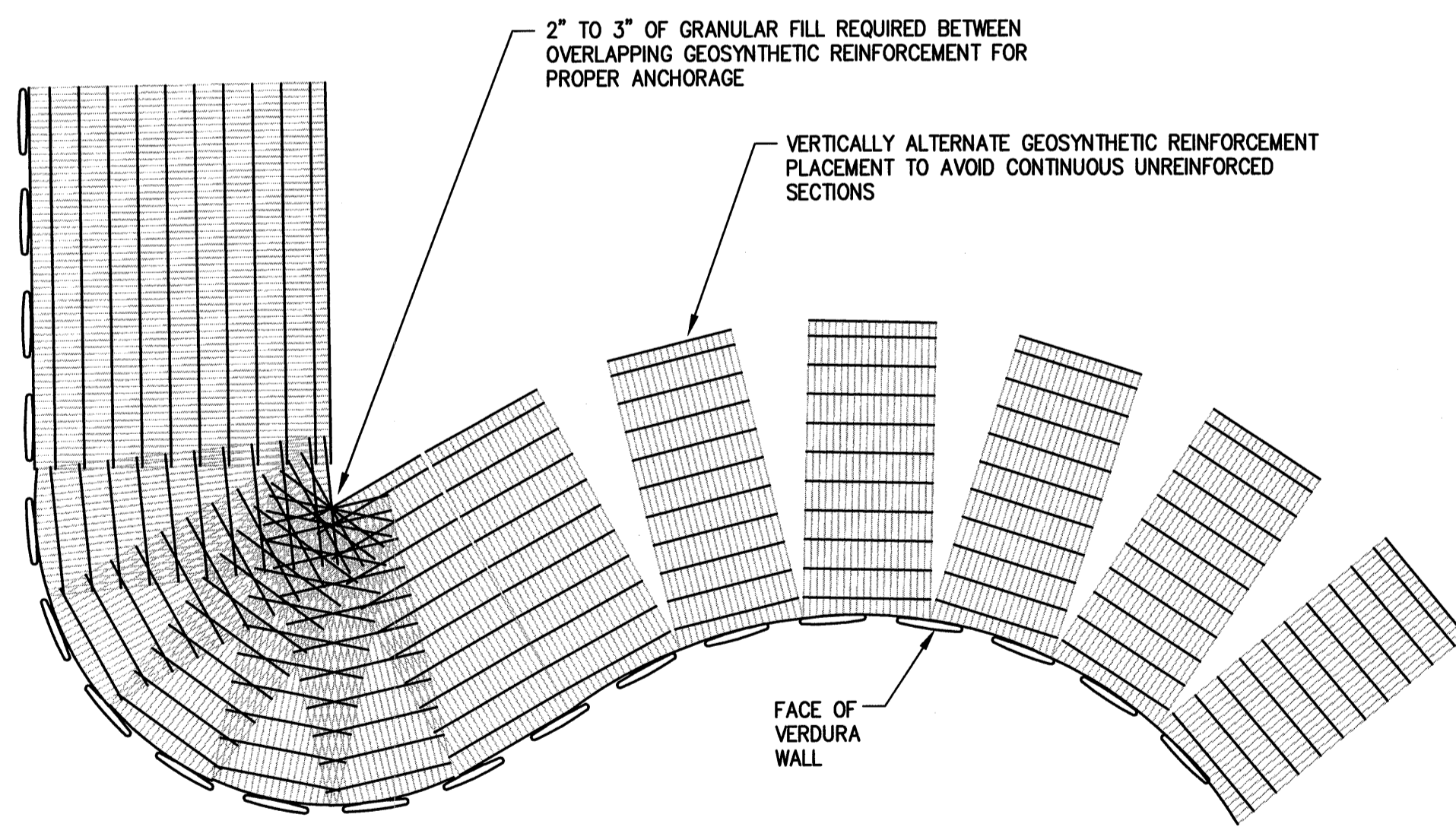
NO SCALE

B GEOGRID CONNECTION DETAIL

NO SCALE

C END OF WALL TRANSITION DETAIL

NO SCALE



2" TO 3" OF GRANULAR FILL REQUIRED BETWEEN OVERLAPPING GEOSYNTHETIC REINFORCEMENT FOR PROPER ANCHORAGE

VERTICALLY ALTERNATE GEOSYNTHETIC REINFORCEMENT PLACEMENT TO AVOID CONTINUOUS UNREINFORCED SECTIONS

FACE OF VERDURA WALL

NOTES:

CHECK WITH MANUFACTURER'S SPECIFICATIONS FOR THE CORRECT ORIENTATION OF THE GEOSYNTHETIC REINFORCEMENT TO OBTAIN PROPER STRENGTH.

NOT USED

NOT USED

D GEOGRID PLACEMENT ON CURVES DETAIL

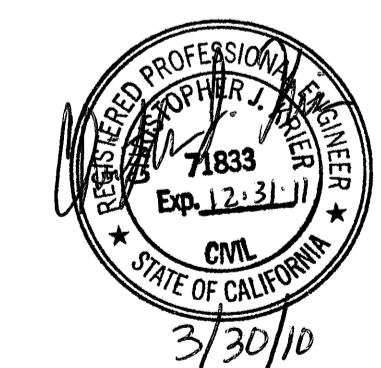
NO SCALE

REVISIONS

NO.	WORK DONE	DATE:	BY:	APP'D:	NO.	WORK DONE	DATE:	BY:	APP'D:	NO.	WORK DONE	DATE:	BY:	APP'D:	NO.

SAN DIEGO GAS & ELECTRIC COMPANY
SAN DIEGO, CALIFORNIA
SUNCREST SUBSTATION ACCESS ROAD
MSE WALL DETAILS

DRAWN BY: DHT	DATE: 3/24/10	SCALE: 1"=20'	W.O.: -	REV: 0
CHECKED BY: PJC	DATE: -			
APPROVED BY: CR	DATE: -	SHEET 38 OF 55		
CAD NO.: JPPVT38	PLOT SCALE: 1=1			



SCR-C-238

N:\SBC039600\CADD\USFS\CML\IP-PVT\JPPVT38

