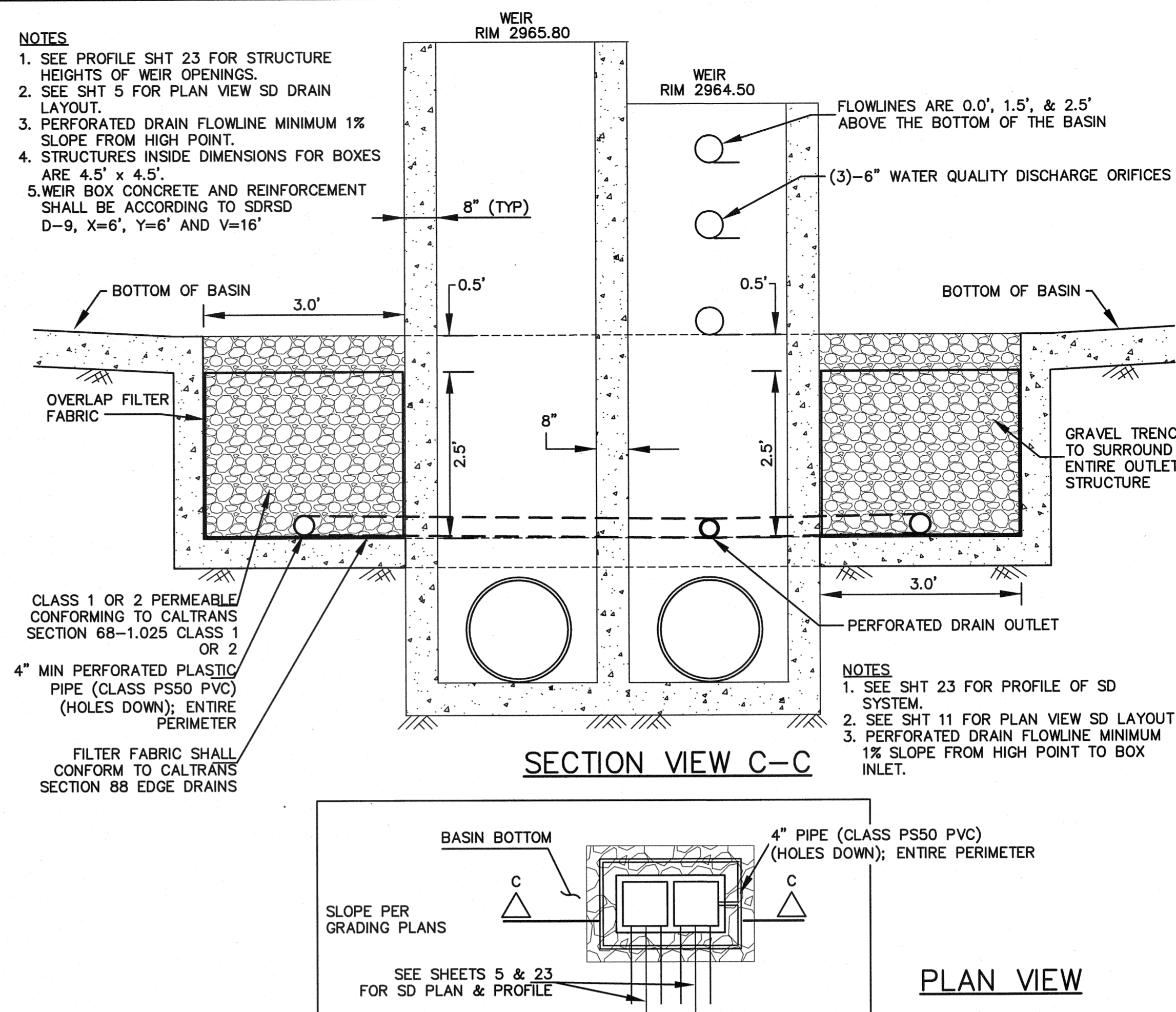
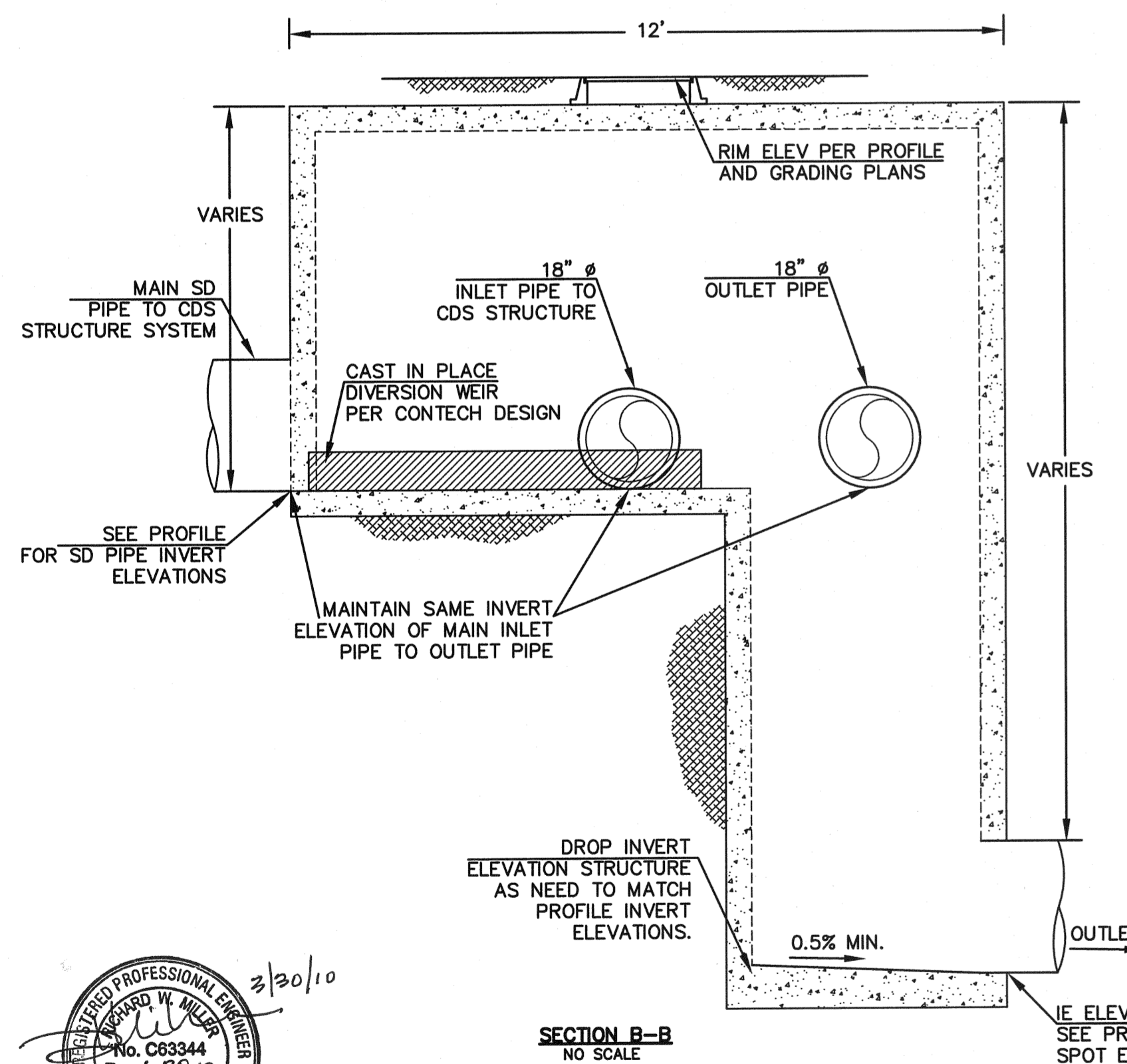


MATERIALS LIST PER LOCATION—PROVIDED BY CONTECH

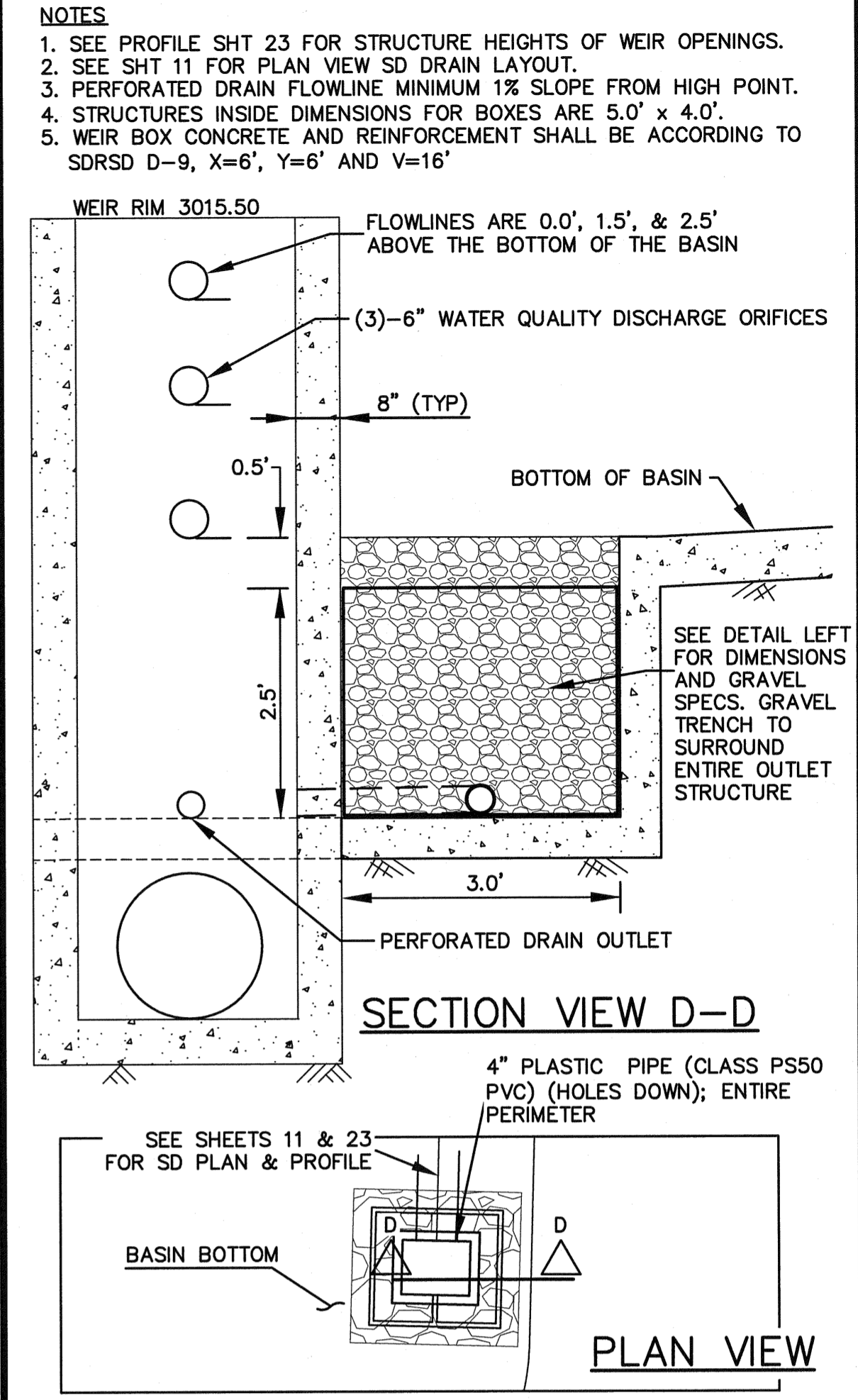
COUNT	DESCRIPTION	INSTALLED BY
1	FIBERGLASS INLET & CYLINDER	CONTECH
1	HYDRAULIC SHEAR PLATE	CONTECH
1	4700 MICRON SEP. GREEN	CONTECH
1	SEALANT FOR JOINTS	CONTRACTOR
1	GRADE RINGS/RISERS	CONTRACTOR
1	30" X 4" FRAME AND COVER	CONTRACTOR
1	DIVERSION STRUCTURE	CONTECH
1	PRECAST VAULT COMPLETE	CONTECH

- GENERAL NOTES**
- CONTECH TO PROVIDE ALL MATERIALS UNLESS NOTED OTHERWISE.
  - DIMENSIONS MARKED WITH ( ) ARE REFERENCE DIMENSIONS. ACTUAL DIMENSIONS MAY VARY.
  - FOR FABRICATIONS DRAWINGS WITH DETAILED STRUCTURES DIMENSIONS AND WEIGHTS, PLEASE CONTACT YOUR CONTECH STORMWATER SOLUTIONS REPRESENTATIVE.
  - CDS WATER QUALITY STRUCTURE SHALL BE IN ACCORDANCE WITH ALL DESIGN DATA AND INFORMATION CONTAINED IN THIS DRAWING.
  - STRUCTURE AND CASTINGS SHALL MEET AASHTO LOAD RATING.
  - PVC HYDRAULICS SHEAR PLATE IS PLACED ON SHELF AT BOTTOM OF SCREEN CYLINDER. REMOVE AND REPLACE AS NECESSARY DURING MAINTENANCE CLEANING.

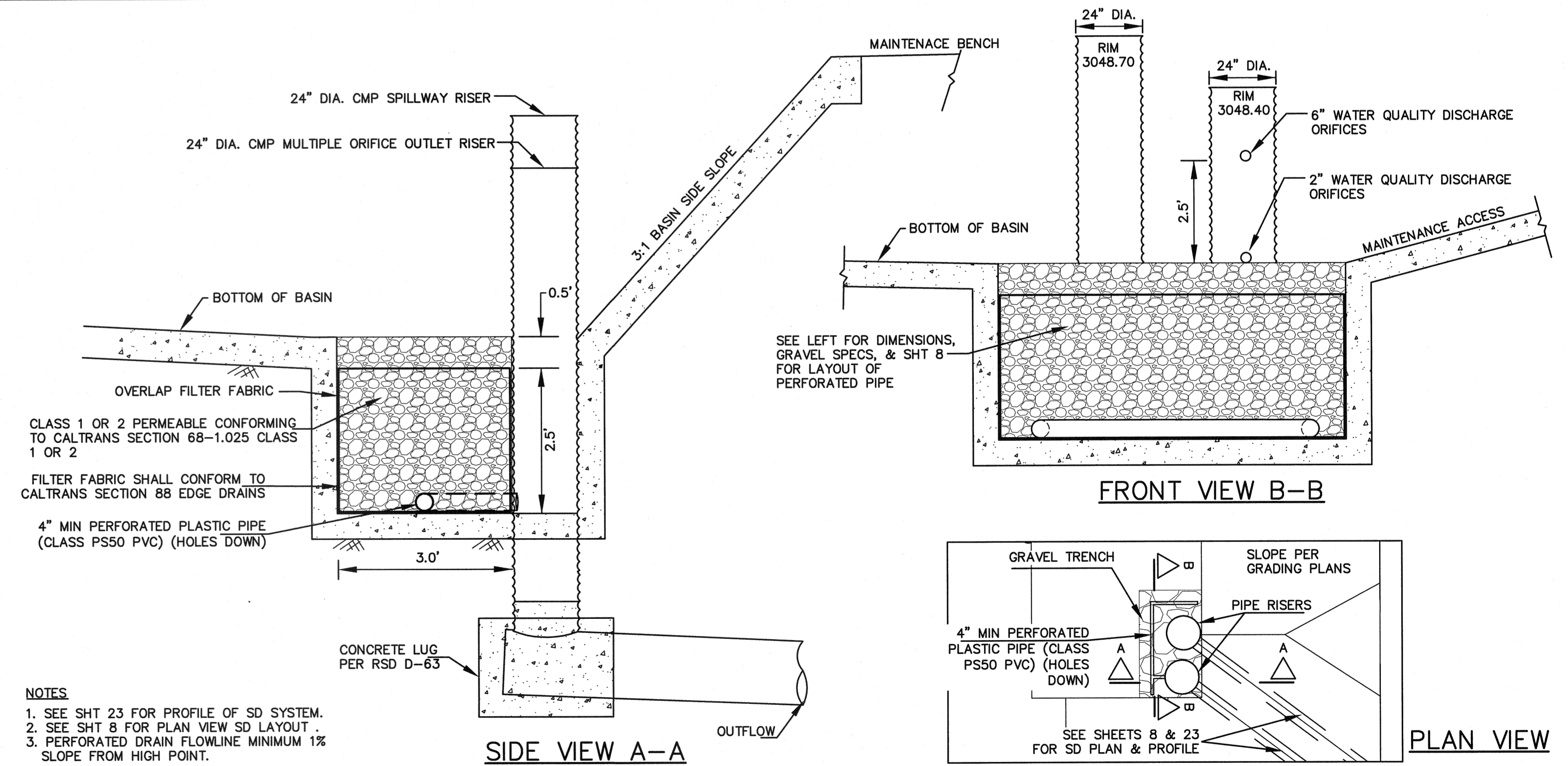
- INSTALLATION NOTES**
- ANY SUB-BASE, BACKFILL DEPTH, AND/OR ANY-FLOTATION PROVISIONS AREA SITE SPECIFIC DESIGN CONSIDERATIONS AND SHALL BE SPECIFIED BY ENGINEER OF RECORD.
  - CONTRACTOR TO PROVIDE EQUIPMENT WITH SUFFICIENT LIFTING AND REACH CAPACITY TO LIFT AND SET THE CDS MANHOLE STRUCTURE (LIFTING CLUTCHES PROVIDED).
  - CONTRACTOR TO ADD JOINT SEALANT BETWEEN ALL STRUCTURES SECTIONS, AND ASSEMBLE STRUCTURE.
  - CONTRACTOR TO PROVIDE, INSTALL AND GROUT PIPES. MATCH PIPE INVERTS WITH ELEVATIONS SHOWN.
  - CONTRACTOR TO TAKE APPROPRIATE MEASURES TO ASSURE UNIT IS WATER TIGHT, HOLDING WATER TO FLOW LINE INVERT MINIMUM. IT IS SUGGESTED THAT ALL JOINTS BELOW PIPE INVERTS ARE GROUTED.
- NOTE:**  
CONTRACTOR SHALL VERIFY CONTECH SHOP DRAWINGS FOR COMPATIBILITY WITH THE GRADING PLAN AND STORM DRAIN PROFILES, AND SHALL NOTIFY ENGINEER OF ANY CONFLICTS PRIOR TO FABRICATION. DIVERSION STRUCTURE D.2 IS SHOWN. STRUCTURE F.5 DESIGN WILL BE WITHOUT DROP.



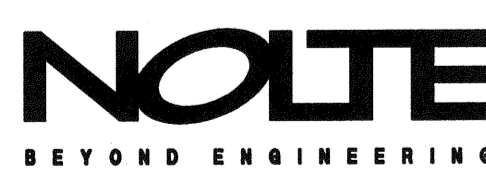
(B) MULTIPLE ORIFICE OUTLET RISER STRUCTURE (DETENTION BASIN #2) NO SCALE



(C) (DETENTION BASIN #1) NO SCALE



(E) MULTIPLE ORIFICE CMP OUTLET RISER (DETENTION BASIN #3) NO SCALE



**NOLTE**  
BEYOND ENGINEERING

(A) DIVERSION STRUCTURE AND - CONTECH CDS3030-43257-02 & 03 NO SCALE

REVISIONS

NO.	WORK DONE	DATE	BY	APP'D	NO.	WORK DONE	DATE	BY	APP'D	NO.	WORK DONE	DATE	BY	APP'D	NO.

SAN DIEGO GAS & ELECTRIC COMPANY  
SAN DIEGO, CALIFORNIA

**SUNCREST SUBSTATION**  
GRADING AND DRAINAGE DETAILS

DRAWN BY: MJ DATE: 3/24/10 SCALE: AS SHOWN W.D.: - REV.: 0  
CHECKED BY: RWM DATE: -  
APPROVED BY: CR DATE: - SHEET 44 OF 66  
CAD NO.: GP44 PLOT SCALE: 1=1

SCR-C-044