

(A) CONCRETE APRON

NO SCALE

(B) MODIFIED TYPE A CLEANOUT W/ GRATE

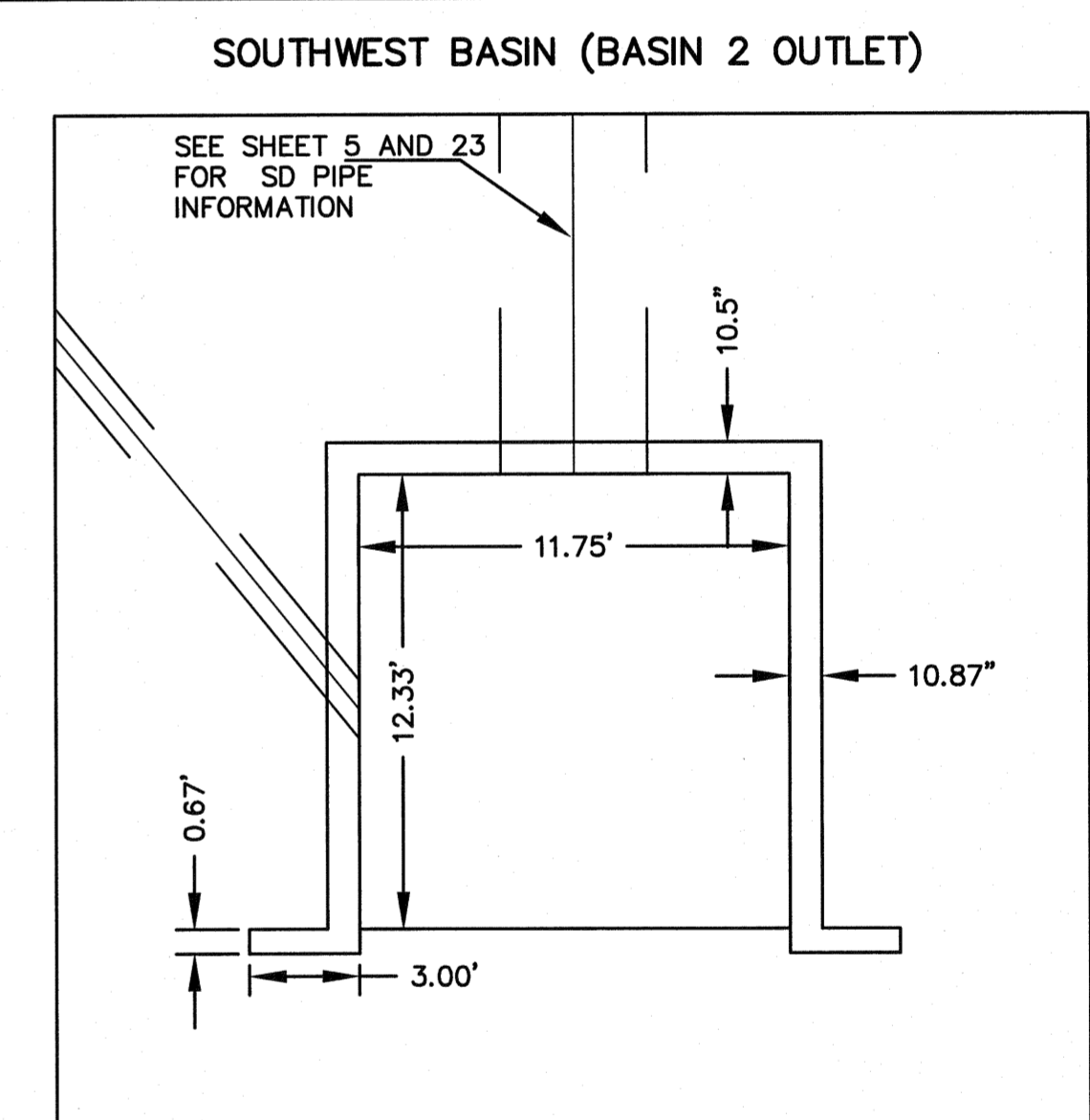
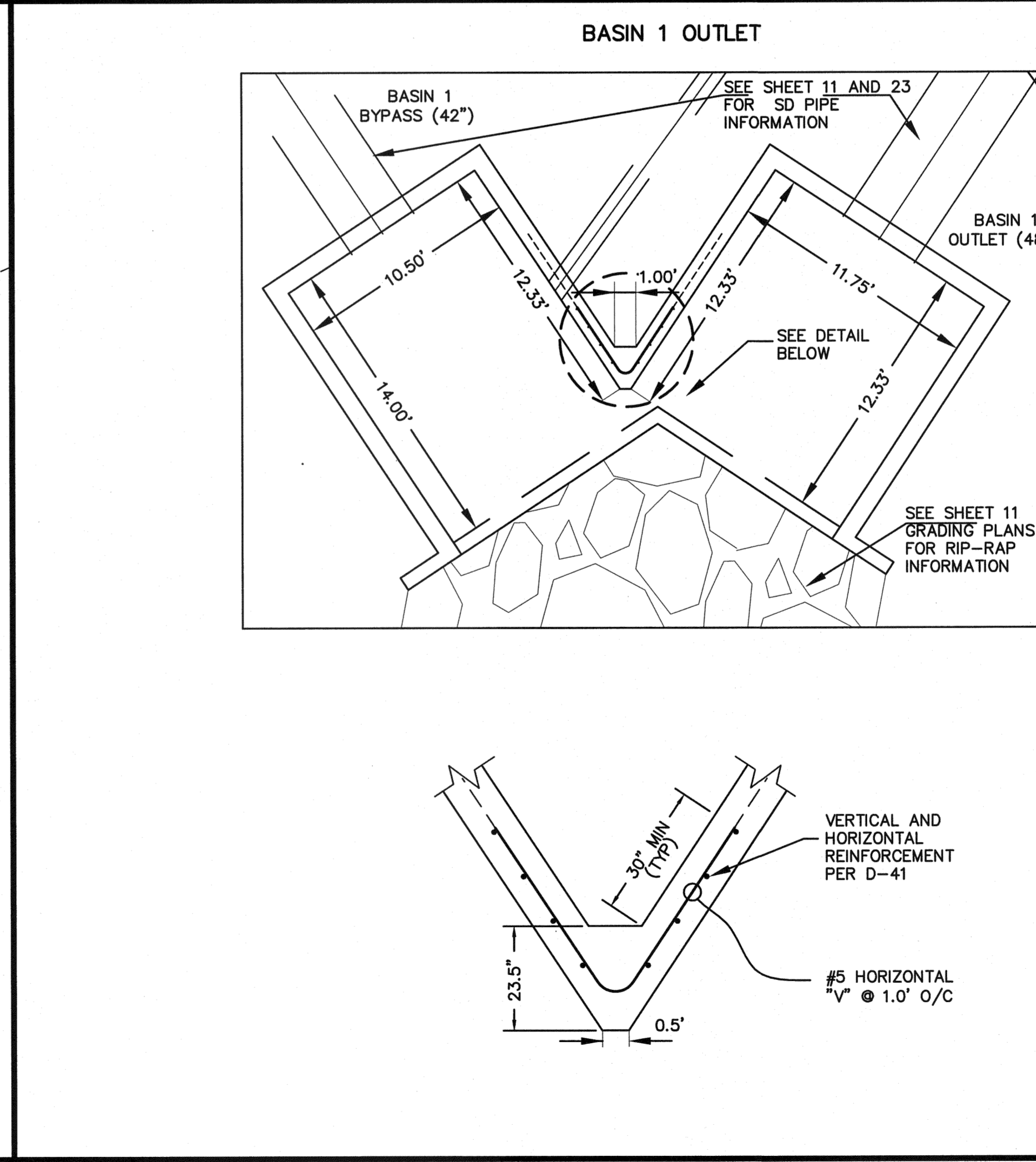
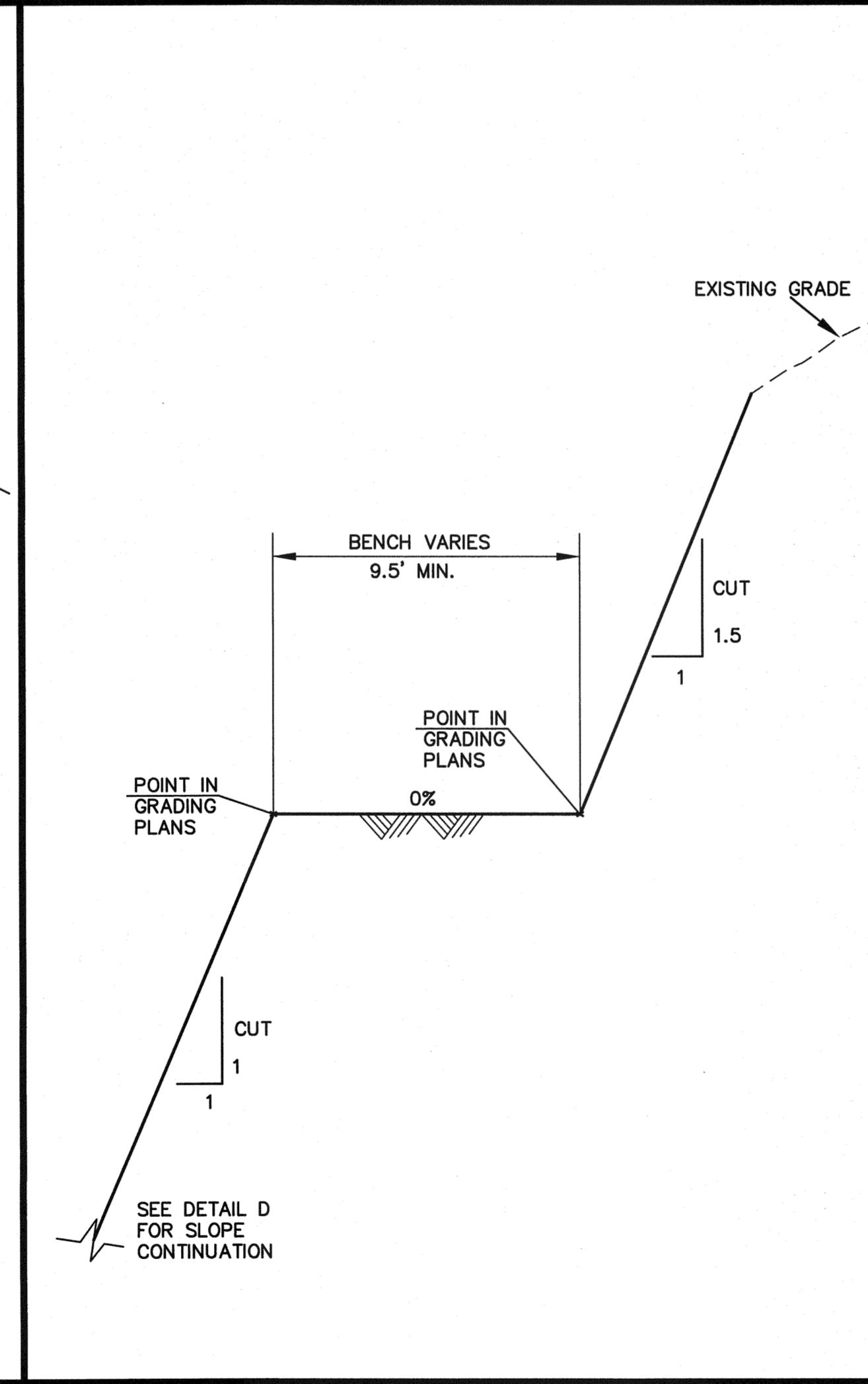
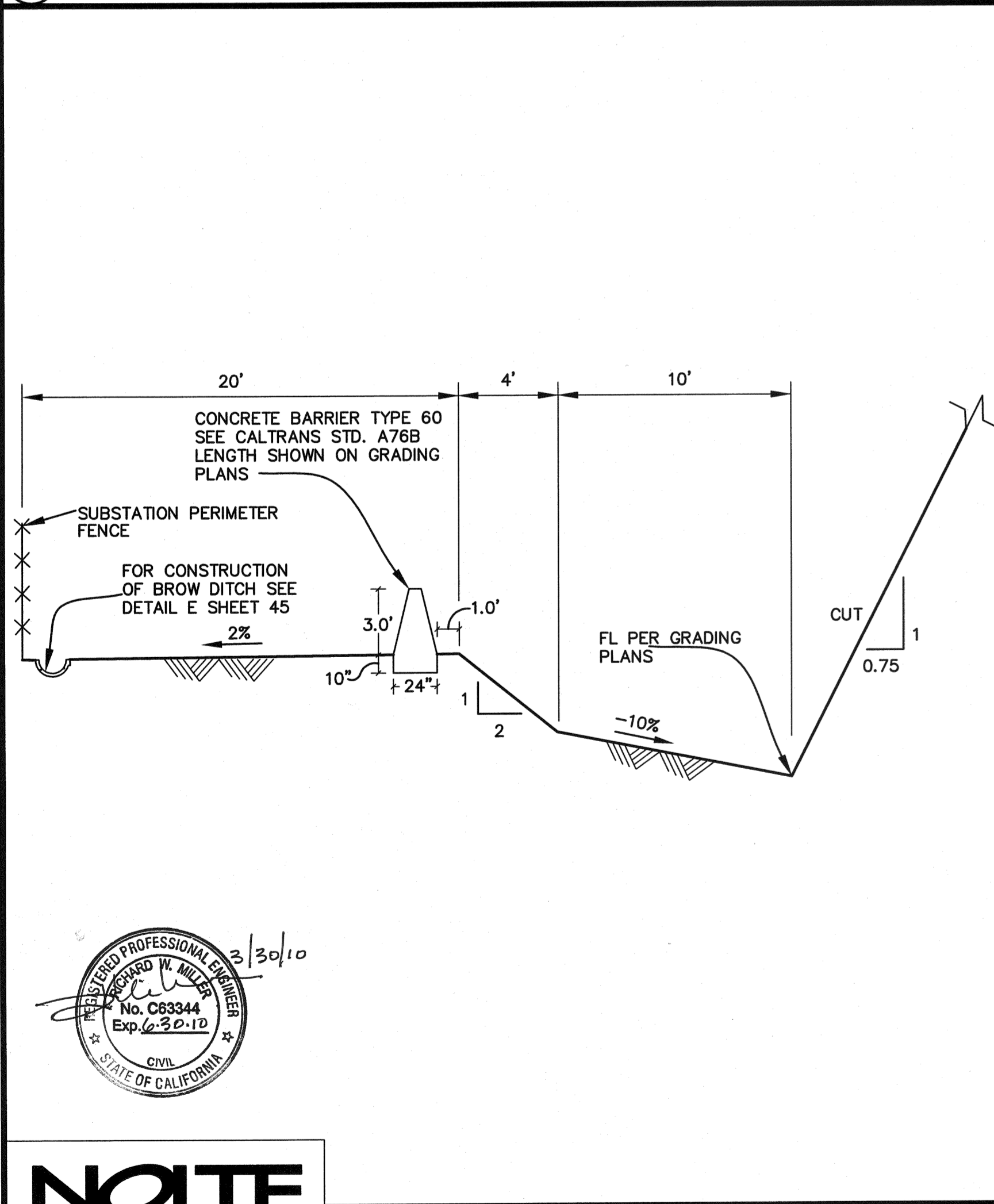
NO SCALE

(C) CUT SLOPE DETAIL

NO SCALE

(H) MODIFIED CUTOFF WALL

NO SCALE



CONCRETE ENERGY DISSIPATOR

DIMENSIONS	BASIN 1 OUTLET (48")	BASIN 1 BYPASS (42")	BASIN 2 OUTLET
W	11.75'	10.5'	11.75'
H	9.75'	9.75'	10.75'
L	12.33'	14.0'	12.33'
a	5.25'	6.0'	5.25'
b	7.08'	8.0'	7.08'
c	3.83'	4.42'	3.83'
d	1.58'	1.75'	1.58'
e	1.0'	1.0'	1.0'
f	3.0'	3.0'	3.0'
g	3.92'	3.92'	3.92'
Tf	1.0'	1.0'	
Tb	0.88'	0.88'	
Tw	0.88'	0.88'	
Ta	0.67'	0.67'	



(D) ROCK CATCHMENT BASIN

NO SCALE

(E) ROCK AREA CUT SLOPE DETAIL

NO SCALE

(F) MODIFIED CONCRETE ENERGY DISSIPATOR

NO SCALE

REVISIONS

NO.	WORK DONE	DATE	BY	APP'D	NO.	WORK DONE	DATE	BY	APP'D	NO.	WORK DONE	DATE	BY	APP'D	NO.	WORK DONE	DATE	BY	APP'D	NO.	

SAN DIEGO GAS & ELECTRIC COMPANY
SAN DIEGO, CALIFORNIA

SUNCREST SUBSTATION
GRADING AND DRAINAGE DETAILS

DRAWN BY: MJ	DATE: 3/24/10	SCALE: 1"=30'	W.O.: -	REV: 0
CHECKED BY: RWM	DATE: -			
APPROVED BY: CR	DATE: -	SHEET 46 OF 66		
CAD NO.: GP46	PLOT SCALE: 1=1			

SCR-C-046

N:\SPR030600\CADD\USPS\CIVIL\GP46