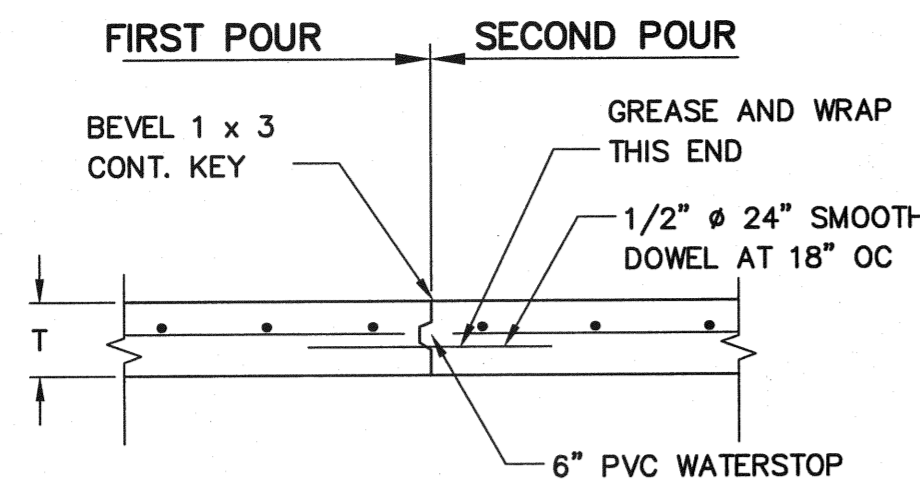


NOTES:

1. REINFORCING CONTINUOUS THRU JOINT.
2. SPACE JOINTS NO THAN 25T EACH WAY. CONSTRUCTION MANGER TO LOCATE.
3. JOINTS MAY BE SAWCUT WITHIN 4 HOURS, FORMED OR USE "QUICK JOINT" OR APPROVED EQUAL.

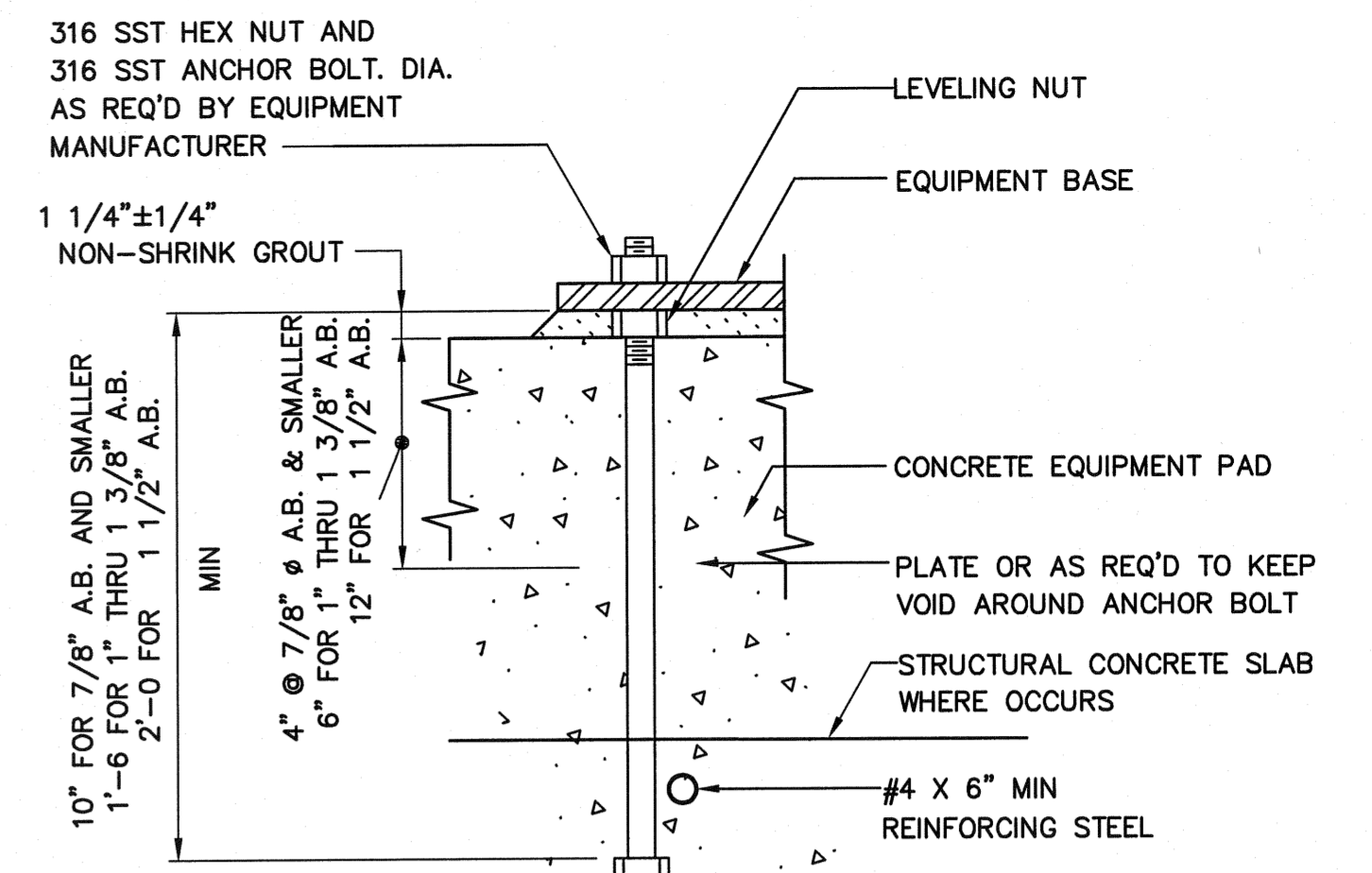
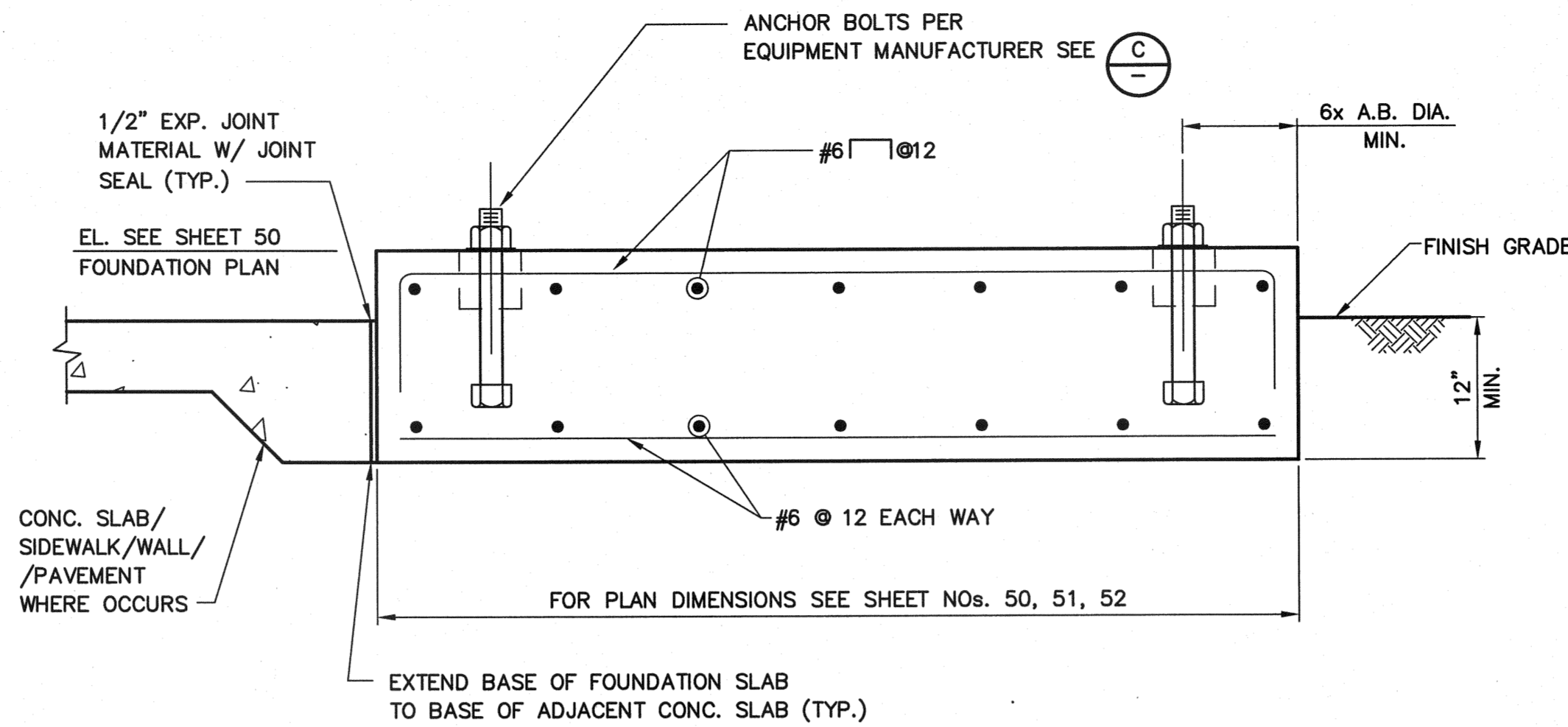
CONTROL/SAW-CUT JOINT



NOTES:

1. REINFORCING NOT CONTINUOUS THRU JOINT
2. PLACE SLAB-ON-GRADE AND LOCATE CONSTRUCTION JOINTS.
3. AVOID REENTRANT CORNERS.
4. CONTRACTORS OPTION TO POUR IN CHECKER BOARD METHOD.
5. CONTRACTOR TO SUBMIT PROPOSED JOINT LAYOUT FOR REVIEW.
6. POUR ADJACENT SLABS AT LEAST EIGHT HOURS APART.

CONSTRUCTION JOINT



NOTE: PROVIDE LONGER AB EMBEDMENT IF REQUIRED BY EQUIPMENT MANUFACTURER. PROVIDE MIN 3" CONC COVER @ AB.

(A) SLAB JOINT DETAIL

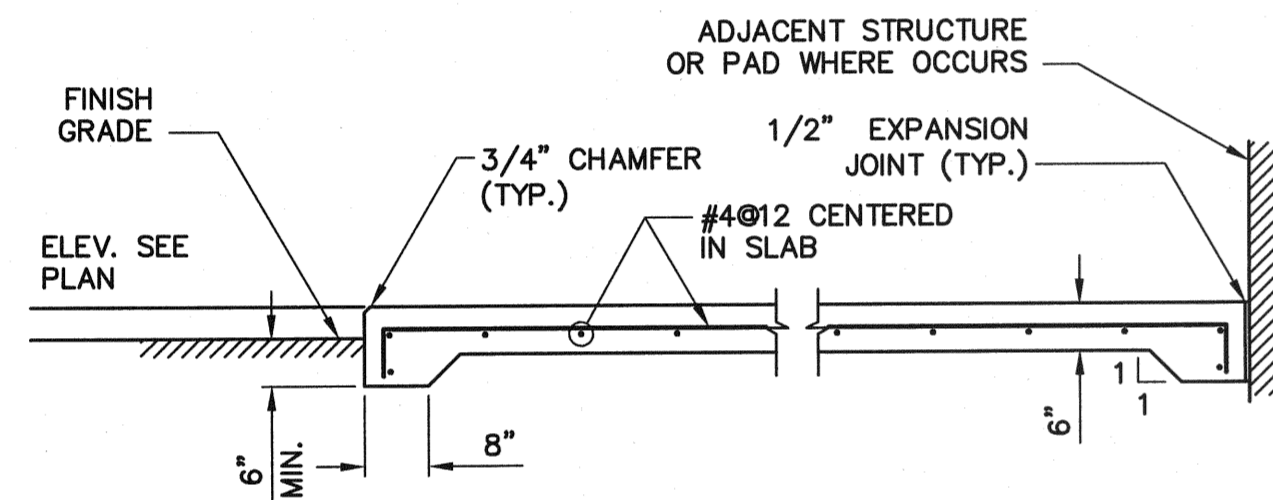
NO SCALE

(B) CHLORINATION SHELTER FOUNDATION SLAB

NO SCALE

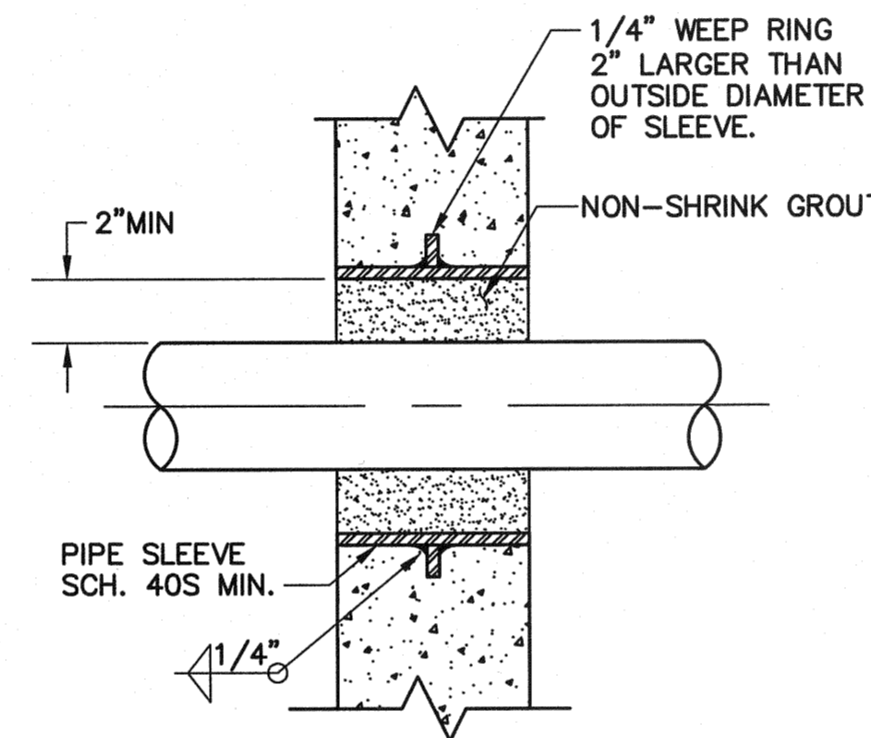
(C) EQUIPMENT ANCHOR BOLT

NO SCALE



(E) CONCRETE PAD DETAIL

NO SCALE



(G) PIPE PENETRATION DETAIL

NO SCALE



REVISIONS

NO.	WORK DONE	DATE:	BY:	APP'D:	NO.	WORK DONE	DATE:	BY:	APP'D:	NO.	WORK DONE	DATE:	BY:	APP'D:	NO.	WORK DONE	DATE:	BY:	APP'D:	NO.	

SAN DIEGO GAS & ELECTRIC COMPANY
SAN DIEGO, CALIFORNIA

SUNCREST SUBSTATION
STRUCTURAL DETAILS FOR WATER SYSTEM

DRAWN BY: APS	DATE: 3/24/10	SCALE: 1"=30'	W.O.:	REV: 0
CHECKED BY: RWM	DATE: -			
APPROVED BY: CR	DATE: -	SHEET 54 OF 66		
CAD NO.: GP54	PLOT SCALE: 1=1			

SCR-C-054

N:\SUNCREST\660 CAD\USFS\CIVIL\GP54.dwg