

APPENDIX G
EDR City Directory Abstract Report

Vine Street Substation

3550 Kettner Blvd
San Diego, CA 92101

Inquiry Number: 3889802.5
March 24, 2014

The EDR-City Directory Abstract

TABLE OF CONTENTS

SECTION

Executive Summary

Findings

City Directory Images

Thank you for your business.
Please contact EDR at 1-800-352-0050
with any questions or comments.

Disclaimer - Copyright and Trademark Notice

This Report contains certain information obtained from a variety of public and other sources reasonably available to Environmental Data Resources, Inc. It cannot be concluded from this Report that coverage information for the target and surrounding properties does not exist from other sources. **NO WARRANTY EXPRESSED OR IMPLIED, IS MADE WHATSOEVER IN CONNECTION WITH THIS REPORT. ENVIRONMENTAL DATA RESOURCES, INC. SPECIFICALLY DISCLAIMS THE MAKING OF ANY SUCH WARRANTIES, INCLUDING WITHOUT LIMITATION, MERCHANTABILITY OR FITNESS FOR A PARTICULAR USE OR PURPOSE. ALL RISK IS ASSUMED BY THE USER. IN NO EVENT SHALL ENVIRONMENTAL DATA RESOURCES, INC. BE LIABLE TO ANYONE, WHETHER ARISING OUT OF ERRORS OR OMISSIONS, NEGLIGENCE, ACCIDENT OR ANY OTHER CAUSE, FOR ANY LOSS OR DAMAGE, INCLUDING, WITHOUT LIMITATION, SPECIAL, INCIDENTAL, CONSEQUENTIAL, OR EXEMPLARY DAMAGES. ANY LIABILITY ON THE PART OF ENVIRONMENTAL DATA RESOURCES, INC. IS STRICTLY LIMITED TO A REFUND OF THE AMOUNT PAID FOR THIS REPORT.** Purchaser accepts this Report "AS IS". Any analyses, estimates, ratings, environmental risk levels or risk codes provided in this Report are provided for illustrative purposes only, and are not intended to provide, nor should they be interpreted as providing any facts regarding, or prediction or forecast of, any environmental risk for any property. Only a Phase I Environmental Site Assessment performed by an environmental professional can provide information regarding the environmental risk for any property. Additionally, the information provided in this Report is not to be construed as legal advice.

Copyright 2013 by Environmental Data Resources, Inc. All rights reserved. Reproduction in any media or format, in whole or in part, of any report or map of Environmental Data Resources, Inc. or its affiliates is prohibited without prior written permission.

EDR and its logos (including Sanborn and Sanborn Map) are trademarks of Environmental Data Resources, Inc. or its affiliates. All other trademarks used herein are the property of their respective owners.

EXECUTIVE SUMMARY

DESCRIPTION

Environmental Data Resources, Inc.'s (EDR) City Directory Abstract is a screening tool designed to assist environmental professionals in evaluating potential liability on a target property resulting from past activities. EDR's City Directory Abstract includes a search and abstract of available city directory data. For each address, the directory lists the name of the corresponding occupant at five year intervals.

Business directories including city, cross reference and telephone directories were reviewed, if available, at approximately five year intervals for the years spanning 1903 through 2013. This report compiles information gathered in this review by geocoding the latitude and longitude of properties identified and gathering information about properties within 660 feet of the target property.

A summary of the information obtained is provided in the text of this report.

RECORD SOURCES

EDR is licensed to reproduce certain City Directory works. Reproduction of City Directories without permission of the publisher may be a violation of copyright.

Data by

infoUSA[®]

Copyright©2008
All Rights Reserved

RESEARCH SUMMARY

The following research sources were consulted in the preparation of this report. An "X" indicates where information was identified in the source and provided in this report.

<u>Year</u>	<u>Source</u>	<u>TP</u>	<u>Adjoining</u>	<u>Text Abstract</u>	<u>Source Image</u>
2013	Cole Information Services	X	X	X	-
2008	Cole Information Services	X	X	X	-
2006	Haines Company, Inc.	X	X	X	-
2000	Haines & Company	X	X	X	X
1995	PACIFIC BELL WHITE PAGES	-	X	X	-
1992	PACIFIC BELL WHITE PAGES	X	X	X	-
1991	PACIFIC BELL WHITE PAGES	-	X	X	-
1989	Pacific Bell	X	X	X	-
1985	PACIFIC BELL WHITE PAGES	-	X	X	-
1984	R. L. Polk & Co.	X	X	X	X
1980	R. L. Polk & Co.	X	X	X	X
1976	Luskey Brothers & Co., Inc.	-	-	-	-
1975	R. L. Polk & Co.	-	X	X	X
1971	Community Directory Co.	-	-	-	-
1970	John M. Ducey	-	X	X	-

EXECUTIVE SUMMARY

<u>Year</u>	<u>Source</u>	<u>TP</u>	<u>Adjoining</u>	<u>Text Abstract</u>	<u>Source Image</u>
1966	R. L. Polk & Co.	-	X	X	X
1965	Community Directory Co.	-	-	-	-
1962	Community Directory Co.	-	-	-	-
1961	R. L. Polk & Co.	-	X	X	X
1960	The Pacific Telephone Telegraph Co.	-	X	X	-
1956	R. L. Polk & Co.	-	-	-	-
1955	R. L. Polk & Co.	-	X	X	-
1952	R. L. Polk & Co. of California	-	X	X	X
1950	The Pacific Telephone & Telegraph Co.	-	-	-	-
1948	San Diego Directory Co.	-	X	X	X
1945	San Diego Directory Co.	X	X	X	-
1943	San Diego Directory Co.	X	X	X	X
1940	San Diego Directory Co.	-	-	-	-
1938	San Diego Directory Co.	X	X	X	X
1933	San Diego Directory Co.	X	X	X	X
1927	San Diego Directory Co.	X	X	X	X
1921	San Diego Directory Co. Inc.	-	X	X	-
1907	San Diego Directory Co.	-	-	-	-
1903	San Diego Directory Co.	-	-	-	-

FINDINGS

TARGET PROPERTY INFORMATION

ADDRESS

3550 Kettner Blvd
San Diego, CA 92101

FINDINGS DETAIL

Target Property research detail.

KETTNER BLVD

3550 KETTNER BLVD

<u>Year</u>	<u>Uses</u>	<u>Source</u>	
2013	PARK & RIDE CO	Cole Information Services	
2008	PARK & RIDE	Cole Information Services	
2006	PARKAND RIDE CO	Haines Company, Inc.	
2000	No Current Listing	Haines & Company	Image pg. A1
1992	Park And Ride Co	PACIFIC BELL WHITE PAGES	
1989	Park And Ride Co	Pacific Bell	
1984	Park And Ride Co airport valet parking serv	R. L. Polk & Co.	Image pg. A9
1980	Park And Ride Co airport valet parking serv	R. L. Polk & Co.	Image pg. A18
		R. L. Polk & Co.	Image pg. A18
1945	Solomons Service Station	San Diego Directory Co.	
1943	Solomon Jacob gas sta	San Diego Directory Co.	Image pg. A75
1938	Solomon Jacob gas sta	San Diego Directory Co.	Image pg. A84
1933	Solomon Jacob gas sta	San Diego Directory Co.	Image pg. A93
1927	Church Walter Super Serv ice	San Diego Directory Co.	Image pg. A101

FINDINGS

ADJOINING PROPERTY DETAIL

The following Adjoining Property addresses were researched for this report. Detailed findings are provided for each address.

CALIFORNIA

3502 CALIFORNIA

<u>Year</u>	<u>Uses</u>	<u>Source</u>
1921	Dell Richd J Irene auto painter Dell Urick Co h	San Diego Directory Co. Inc.

3506 CALIFORNIA

<u>Year</u>	<u>Uses</u>	<u>Source</u>
1921	Masckow Matilda T Mrs h	San Diego Directory Co. Inc.

CALIFORNIA ST

3449 CALIFORNIA ST

<u>Year</u>	<u>Uses</u>	<u>Source</u>	
1952	Talbot Frank	R. L. Polk & Co. of California	Image pg. A56
1948	Talbot Frank	San Diego Directory Co.	Image pg. A65
1943	ATalbot Frank	San Diego Directory Co.	Image pg. A76
1938	Talbot Frank battery mi	San Diego Directory Co.	Image pg. A85
1933	Talbot Frank battery mfr o	San Diego Directory Co.	Image pg. A94
	San Diego Lead Products & Mfg Co	San Diego Directory Co.	Image pg. A94

3553 CALIFORNIA ST

<u>Year</u>	<u>Uses</u>	<u>Source</u>	
2013	RUSH PRESS	Cole Information Services	
2008	RUSH PRESS	Cole Information Services	
2006	RUSH PRESS	Haines Company, Inc.	
1989	Photo & Sound Company	Pacific Bell	
1984	V W R Scientific Graphics Inc	R. L. Polk & Co.	Image pg. A10
1980	V W R Scientific Graphics Inc	R. L. Polk & Co.	Image pg. A19
1975	Treck Photographic Inc equip & sup	R. L. Polk & Co.	Image pg. A27
1970	TRECK PHOTOGRAPHIC INC EQUIP	John M. Ducey	
1966	EASTMAN KODAK STORES INC	R. L. Polk & Co.	Image pg. A38
	EQUIP & SUP	R. L. Polk & Co.	Image pg. A38

FINDINGS

3566 CALIFORNIA ST

<u>Year</u>	<u>Uses</u>	<u>Source</u>	
1933	Vatis Saml	San Diego Directory Co.	Image pg. A94

3595 CALIFORNIA ST

<u>Year</u>	<u>Uses</u>	<u>Source</u>	
2000	FULLTECHSYSTEMS	Haines & Company	Image pg. A2
	FULLTECH	Haines & Company	Image pg. A2

3596 CALIFORNIA ST

<u>Year</u>	<u>Uses</u>	<u>Source</u>	
2008	BARON BLAKESLEE	Cole Information Services	
2006	BARON BLAKESLEE	Haines Company, Inc.	
2000	BARON BLAKESLEE	Haines & Company	Image pg. A2
1992	Baron Blakeslee chem sls	PACIFIC BELL WHITE PAGES	
1989	Baron Blakeslee cheml sls	Pacific Bell	
1984	Charcoal Distributors	R. L. Polk & Co.	Image pg. A10
	Baron Blakeslee Co chem mfg	R. L. Polk & Co.	Image pg. A10
1980	Charcoal Distributors	R. L. Polk & Co.	Image pg. A19
	Baron Blakeslee Co chem mfg	R. L. Polk & Co.	Image pg. A19
1975	Charcoal Distributors	R. L. Polk & Co.	Image pg. A27
	Bateman T Co chem mfg	R. L. Polk & Co.	Image pg. A27
1970	CHARCOAL DISTRIBUTORS	John M. Ducey	
	BATEMAN T O CO CHEM MFG	John M. Ducey	
1966	CHARCOAL DISTRIBUTORS	R. L. Polk & Co.	Image pg. A38
	BATEMAN T O CO CHEM MFG	R. L. Polk & Co.	Image pg. A38
1961	Charcoal Distrs Inc	R. L. Polk & Co.	Image pg. A47
	Bateman T O Co chem	R. L. Polk & Co.	Image pg. A47
1952	Bateman T O	R. L. Polk & Co. of California	Image pg. A56

3607 CALIFORNIA ST

<u>Year</u>	<u>Uses</u>	<u>Source</u>	
1961	Vacant	R. L. Polk & Co.	Image pg. A47
1952	May H W	R. L. Polk & Co. of California	Image pg. A56
1948	May H W	San Diego Directory Co.	Image pg. A65
1943	ALawatn Clarence	San Diego Directory Co.	Image pg. A76
1938	Oliver F M Mrs	San Diego Directory Co.	Image pg. A85
1933	Hartman C J	San Diego Directory Co.	Image pg. A94

FINDINGS

3619 CALIFORNIA ST

<u>Year</u>	<u>Uses</u>	<u>Source</u>	
1961	Rebeles Magdalena Mrs	R. L. Polk & Co.	Image pg. A47
1952	Rebeles M Mrs	R. L. Polk & Co. of California	Image pg. A56
1948	Coleman W S	San Diego Directory Co.	Image pg. A65
1943	Salcedo Lawrence	San Diego Directory Co.	Image pg. A76
1938	Salceda Miguel	San Diego Directory Co.	Image pg. A85
1933	Salcedo Miguel	San Diego Directory Co.	Image pg. A94

3625 CALIFORNIA ST

<u>Year</u>	<u>Uses</u>	<u>Source</u>	
1961	Vacant	R. L. Polk & Co.	Image pg. A47
1952	Mallet C J	R. L. Polk & Co. of California	Image pg. A56
1948	Mallet C J	San Diego Directory Co.	Image pg. A65
1943	Mallet C L	San Diego Directory Co.	Image pg. A76
1938	Stanton John	San Diego Directory Co.	Image pg. A85
1933	Stanton John o	San Diego Directory Co.	Image pg. A94
1927	Stanton Jno	San Diego Directory Co.	Image pg. A102

3633 CALIFORNIA ST

<u>Year</u>	<u>Uses</u>	<u>Source</u>	
1970	FREDERICK BRUCE N	John M. Ducey	
	VACANT	John M. Ducey	
	DACIANELLO JOHN	John M. Ducey	
	VACANT	John M. Ducey	
	CAMPBELL JOE	John M. Ducey	
	LETT JOE	John M. Ducey	
	APARTMENTS	John M. Ducey	
	DUMONT WM	John M. Ducey	
	MEAGER AL	John M. Ducey	
1966	SPADACINO ANTHONY D	John M. Ducey	
	APARTMENTS	R. L. Polk & Co.	Image pg. A38
	VACANT APTS	R. L. Polk & Co.	Image pg. A38
1961	LETT JOE H	R. L. Polk & Co.	Image pg. A38
	A 1 Bachelor Apts	R. L. Polk & Co.	Image pg. A47
	Simms Leon	R. L. Polk & Co.	Image pg. A47
	Withers Jack	R. L. Polk & Co.	Image pg. A47
	Blum J W	R. L. Polk & Co.	Image pg. A47
	Lett John B	R. L. Polk & Co.	Image pg. A47
	Wade Alf D	R. L. Polk & Co.	Image pg. A47

FINDINGS

<u>Year</u>	<u>Uses</u>	<u>Source</u>	
1961	Lett Joe H	R. L. Polk & Co.	Image pg. A47
	Robles John	R. L. Polk & Co.	Image pg. A47
	Chafin Samuel A	R. L. Polk & Co.	Image pg. A47
	Mc Kee Mike	R. L. Polk & Co.	Image pg. A47
	Street continued	R. L. Polk & Co.	Image pg. A47

3637 CALIFORNIA ST

<u>Year</u>	<u>Uses</u>	<u>Source</u>	
1927	Stuhr Nels	San Diego Directory Co.	Image pg. A102

3645 CALIFORNIA ST

<u>Year</u>	<u>Uses</u>	<u>Source</u>	
2013	GEORGES LAWN EQUIPMENT COMPANY	Cole Information Services	
2008	GEORGES LAWN EQUIPMENT	Cole Information Services	

CALIFORNIA/VINE

CALIFORNIA/VINE

<u>Year</u>	<u>Uses</u>	<u>Source</u>	
1961	CALIFORNIA/VINE	R. L. Polk & Co.	Image pg. A47
1952	CALIFORNIA/VINE	R. L. Polk & Co. of California	Image pg. A56
1948	CALIFORNIA/VINE	San Diego Directory Co.	Image pg. A65
1943	CALIFORNIA/VINE	San Diego Directory Co.	Image pg. A76
1938	CALIFORNIA/VINE	San Diego Directory Co.	Image pg. A85
1933	CALIFORNIA/VINE	San Diego Directory Co.	Image pg. A94

CALIFORNIA/VINE ST

CALIFORNIA/VINE ST

<u>Year</u>	<u>Uses</u>	<u>Source</u>	
1984	CALIFORNIA/VINE ST	R. L. Polk & Co.	Image pg. A10
1980	CALIFORNIA/VINE ST	R. L. Polk & Co.	Image pg. A19
1975	CALIFORNIA/VINE ST	R. L. Polk & Co.	Image pg. A27
1970	CALIFORNIA/VINE ST	John M. Ducey	
1966	CALIFORNIA/VINE ST	R. L. Polk & Co.	Image pg. A38

FINDINGS

CALIFORNIA/WALNUT

CALIFORNIA/WALNUT

<u>Year</u>	<u>Uses</u>	<u>Source</u>	
1933	CALIFORNIA/WALNUT	San Diego Directory Co.	Image pg. A94

CALIFORNIA/WALNUT AV

CALIFORNIA/WALNUT AV

<u>Year</u>	<u>Uses</u>	<u>Source</u>	
1984	CALIFORNIA/WALNUT AV	R. L. Polk & Co.	Image pg. A10
1980	CALIFORNIA/WALNUT AV	R. L. Polk & Co.	Image pg. A19
1975	CALIFORNIA/WALNUT AV	R. L. Polk & Co.	Image pg. A27
1970	CALIFORNIA/WALNUT AV	John M. Ducey	
1966	CALIFORNIA/WALNUT AV	R. L. Polk & Co.	Image pg. A38
1961	CALIFORNIA/WALNUT AV	R. L. Polk & Co.	Image pg. A47
1952	CALIFORNIA/WALNUT AV	R. L. Polk & Co. of California	Image pg. A56
1948	CALIFORNIA/WALNUT AV	San Diego Directory Co.	Image pg. A65
1943	CALIFORNIA/WALNUT AV	San Diego Directory Co.	Image pg. A76
1938	CALIFORNIA/WALNUT AV	San Diego Directory Co.	Image pg. A85
1927	CALIFORNIA/WALNUT AV	San Diego Directory Co.	Image pg. A102

CHALMERS/KETTNER BLVD

CHALMERS/KETTNER BLVD

<u>Year</u>	<u>Uses</u>	<u>Source</u>	
1927	CHALMERS/KETTNER BLVD	San Diego Directory Co.	Image pg. A103

COLUMBIA

3515 COLUMBIA

<u>Year</u>	<u>Uses</u>	<u>Source</u>	
1921	Andrews Elmer J Florence B electr U S N h	San Diego Directory Co. Inc.	

3517 COLUMBIA

<u>Year</u>	<u>Uses</u>	<u>Source</u>	
1921	Manzer Lawrence D Thelma M tent fnshr Muehleisen T & A Co h	San Diego Directory Co. Inc.	

FINDINGS

3531 COLUMBIA

<u>Year</u>	<u>Uses</u>	<u>Source</u>
1921	Boyd Saml R slsnin h	San Diego Directory Co. Inc.
	Boyd Myra C wid S J r	San Diego Directory Co. Inc.

3535 COLUMBIA

<u>Year</u>	<u>Uses</u>	<u>Source</u>
1921	Young Vera Mrs tchr High School r	San Diego Directory Co. Inc.
	Young Frank L Vera E carrier P O h	San Diego Directory Co. Inc.

3545 COLUMBIA

<u>Year</u>	<u>Uses</u>	<u>Source</u>
1921	Earle O Browne Gertrude C lieut U S N h	San Diego Directory Co. Inc.

COLUMBIA AVE

3531 COLUMBIA AVE

<u>Year</u>	<u>Uses</u>	<u>Source</u>
1921	Courtleigh Claude R emp C S Hardy r	San Diego Directory Co. Inc.

COLUMBIA PL

3504 COLUMBIA PL

<u>Year</u>	<u>Uses</u>	<u>Source</u>
1943	Steadnman J	San Diego Directory Co. Image pg. A77
1938	ASteadman 5	San Diego Directory Co. Image pg. A86
1927	Steadman O J	San Diego Directory Co. Image pg. A104

3515 COLUMBIA PL

<u>Year</u>	<u>Uses</u>	<u>Source</u>
1943	Boniface Frank	San Diego Directory Co. Image pg. A77
1938	Seigleman Sami	San Diego Directory Co. Image pg. A86
1927	Vacant	San Diego Directory Co. Image pg. A104

3517 COLUMBIA PL

<u>Year</u>	<u>Uses</u>	<u>Source</u>
1943	Mc Cusker G C	San Diego Directory Co. Image pg. A77
1938	Mc Cusker G C	San Diego Directory Co. Image pg. A86
1927	Hawkins Harold	San Diego Directory Co. Image pg. A104

FINDINGS

3521 COLUMBIA PL

<u>Year</u>	<u>Uses</u>	<u>Source</u>	
1943	Stevens D S	San Diego Directory Co.	Image pg. A77

3525 COLUMBIA PL

<u>Year</u>	<u>Uses</u>	<u>Source</u>	
1943	SAOStarkey L E	San Diego Directory Co.	Image pg. A77

3528 COLUMBIA PL

<u>Year</u>	<u>Uses</u>	<u>Source</u>	
1943	Smith R M	San Diego Directory Co.	Image pg. A77
1938	ASmith R M	San Diego Directory Co.	Image pg. A86
1927	Downey T C	San Diego Directory Co.	Image pg. A104

3531 COLUMBIA PL

<u>Year</u>	<u>Uses</u>	<u>Source</u>	
1943	AKendrick J L	San Diego Directory Co.	Image pg. A77
1938	AKendrick J L	San Diego Directory Co.	Image pg. A86
1927	Jameson Eulalia Mrs	San Diego Directory Co.	Image pg. A104

3535 COLUMBIA PL

<u>Year</u>	<u>Uses</u>	<u>Source</u>	
1943	Mac Lennan Donald	San Diego Directory Co.	Image pg. A77
1938	Mac Lennan Donald	San Diego Directory Co.	Image pg. A86
1927	Hill Robt	San Diego Directory Co.	Image pg. A104

3538 COLUMBIA PL

<u>Year</u>	<u>Uses</u>	<u>Source</u>	
1943	Kinney Marvin	San Diego Directory Co.	Image pg. A77
1938	Bowling Herbt	San Diego Directory Co.	Image pg. A86
1927	Stacey Earl	San Diego Directory Co.	Image pg. A104

3545 COLUMBIA PL

<u>Year</u>	<u>Uses</u>	<u>Source</u>	
1943	Wilson Louise F	San Diego Directory Co.	Image pg. A77
1938	Cs AWilson Louise F	San Diego Directory Co.	Image pg. A86
1927	Kinney I N	San Diego Directory Co.	Image pg. A104

FINDINGS

COLUMBIA ST

3504 COLUMBIA ST

<u>Year</u>	<u>Uses</u>	<u>Source</u>	
2006	HARVEY William	Haines Company, Inc.	
2000	No Current Listing	Haines & Company	Image pg. A3
1992	Stoup Susan	PACIFIC BELL WHITE PAGES	
	Reynolds Jack C	PACIFIC BELL WHITE PAGES	
1989	Reynolds Jack C	Pacific Bell	
	Read Russell S	Pacific Bell	
	Lacy M	Pacific Bell	
1984	Richards Kenneth G	R. L. Polk & Co.	Image pg. A11
1980	Leggitt Donald R pntr contr	R. L. Polk & Co.	Image pg. A20
1975	Leggitt Don R	R. L. Polk & Co.	Image pg. A28
1970	REGAN HELEN MRS	John M. Ducey	
1966	HORTON M B	R. L. Polk & Co.	Image pg. A39
1961	Wallendorff Harold J	R. L. Polk & Co.	Image pg. A48
1960	Wallendorff Harold J	The Pacific Telephone Telegraph Co.	
1955	Steadman O J	R. L. Polk & Co.	
	Lattin R M Dr	R. L. Polk & Co.	
1952	Lattin R M	R. L. Polk & Co. of California	Image pg. A57
	Stedman O	R. L. Polk & Co. of California	Image pg. A57
1948	Steadman O J	San Diego Directory Co.	Image pg. A66
	Lattin J L	San Diego Directory Co.	Image pg. A66
1945	Steadman O J r	San Diego Directory Co.	
1933	Steadman J o	San Diego Directory Co.	Image pg. A95

3505 COLUMBIA ST

<u>Year</u>	<u>Uses</u>	<u>Source</u>	
2006	No Current Listing	Haines Company, Inc.	
2000	No Current Listing	Haines & Company	Image pg. A3
1989	Waugh Robt	Pacific Bell	
1984	Ballou Albert J	R. L. Polk & Co.	Image pg. A11
1980	Kalvitz Cindy M	R. L. Polk & Co.	Image pg. A20
1975	Llewellyn Ronald B	R. L. Polk & Co.	Image pg. A28
1970	PINASCO MARIE C MRS	John M. Ducey	
1966	PINASCO MARIE C MRS	R. L. Polk & Co.	Image pg. A39
1961	Pinasco Marie C Mrs	R. L. Polk & Co.	Image pg. A48
1960	Pinasco Marie C	The Pacific Telephone Telegraph Co.	
1955	Kohlepp L C	R. L. Polk & Co.	

FINDINGS

3506 COLUMBIA ST

<u>Year</u>	<u>Uses</u>	<u>Source</u>	
2000	No Current Listing	Haines & Company	Image pg. A3
1989	Staats James	Pacific Bell	
1984	Murick G	R. L. Polk & Co.	Image pg. A11
1980	Murick G	R. L. Polk & Co.	Image pg. A20

3509 COLUMBIA ST

<u>Year</u>	<u>Uses</u>	<u>Source</u>	
1992	Sewall John	PACIFIC BELL WHITE PAGES	
1989	Sewall John	Pacific Bell	
1984	Prell Scott	R. L. Polk & Co.	Image pg. A11
1980	Vacant	R. L. Polk & Co.	Image pg. A20
1975	Linton Thos C	R. L. Polk & Co.	Image pg. A28
1970	HORTON ANNE MRS	John M. Ducey	
1966	HALCON SALVADOR	R. L. Polk & Co.	Image pg. A39
1961	Austin Richd D	R. L. Polk & Co.	Image pg. A48
1952	Kilgore E L	R. L. Polk & Co. of California	Image pg. A57

3510 COLUMBIA ST

<u>Year</u>	<u>Uses</u>	<u>Source</u>	
1984	1/2 Shelley Ronald E	R. L. Polk & Co.	Image pg. A11
	Delacuesta Carmen	R. L. Polk & Co.	Image pg. A11
1980	N Fredericks Adreanna L	R. L. Polk & Co.	Image pg. A20
	Edwards Gladys M Mrs	R. L. Polk & Co.	Image pg. A20
1975	Tadman Michl	R. L. Polk & Co.	Image pg. A28
	Edwards Gladys M Mrs	R. L. Polk & Co.	Image pg. A28
1970	EDWARDS GLADYS M MRS	John M. Ducey	
	RENTER HARRY J	John M. Ducey	
1966	ROJAS ISRAEL	R. L. Polk & Co.	Image pg. A39
	EDWARDS GLADYS M MRS	R. L. Polk & Co.	Image pg. A39
1961	1/2 Strickland James G	R. L. Polk & Co.	Image pg. A48
	Jensen Robt	R. L. Polk & Co.	Image pg. A48
1955	Edwards Gladys M	R. L. Polk & Co.	
1952	1/2 Emory G N	R. L. Polk & Co. of California	Image pg. A57
	Doerr W A	R. L. Polk & Co. of California	Image pg. A57

3512 COLUMBIA ST

<u>Year</u>	<u>Uses</u>	<u>Source</u>
2006	ROJASAG	Haines Company, Inc.

FINDINGS

<u>Year</u>	<u>Uses</u>	<u>Source</u>	
2000	HOAG Douglas C Mrs	Haines & Company	Image pg. A3
1992	Hoag Douglas C Mrs	PACIFIC BELL WHITE PAGES	
1989	Hoag Douglas C Mrs	Pacific Bell	
1984	Hoag Faith A Mrs	R. L. Polk & Co.	Image pg. A11
	1/2 No Return	R. L. Polk & Co.	Image pg. A11
1980	Hoag Faith A Mrs	R. L. Polk & Co.	Image pg. A20
	Kirtwright Oscar A	R. L. Polk & Co.	Image pg. A20
1975	Hoag Faith A Mrs	R. L. Polk & Co.	Image pg. A28
	Dittrich John	R. L. Polk & Co.	Image pg. A28
1970	HOAG FAITH A MRS	John M. Ducey	
	DITTRICH RALPH	John M. Ducey	
1966	WECKERLY TERRY V	R. L. Polk & Co.	Image pg. A39
	HOAG FAITH A MRS	R. L. Polk & Co.	Image pg. A39
1961	1/2 Vacant	R. L. Polk & Co.	Image pg. A48
	Hoag Faith A Mrs	R. L. Polk & Co.	Image pg. A48
1955	Li Mandri John M	R. L. Polk & Co.	
	Bowen Wm E	R. L. Polk & Co.	
1952	Bowen W E	R. L. Polk & Co. of California	Image pg. A57

3513 COLUMBIA ST

<u>Year</u>	<u>Uses</u>	<u>Source</u>	
2000	No Current Listing	Haines & Company	Image pg. A3
1992	I Greenberg Sue	PACIFIC BELL WHITE PAGES	
	Greenberg T.....	PACIFIC BELL WHITE PAGES	
1989	Peterson Martha	Pacific Bell	
1984	Brown Phyllis	R. L. Polk & Co.	Image pg. A11
1980	N Gagliano John A	R. L. Polk & Co.	Image pg. A20
1975	Poschman Harry D	R. L. Polk & Co.	Image pg. A28
1970	FOGARTY MARGT MRS	John M. Ducey	
1966	FOGARTY MARGT MRS	R. L. Polk & Co.	Image pg. A39
1961	Vacant	R. L. Polk & Co.	Image pg. A48
1960	Elstman Wallace B	The Pacific Telephone Telegraph Co.	
	Thatcher P A	The Pacific Telephone Telegraph Co.	
1955	Dean Walter E	R. L. Polk & Co.	
1952	Dean W E	R. L. Polk & Co. of California	Image pg. A57

3515 COLUMBIA ST

<u>Year</u>	<u>Uses</u>	<u>Source</u>	
2000	PINAFabririo	Haines & Company	Image pg. A3

FINDINGS

<u>Year</u>	<u>Uses</u>	<u>Source</u>	
2000	PINA Raquel	Haines & Company	Image pg. A3
1989	Kinsman Michael	Pacific Bell	
1984	California Silk Screen	R. L. Polk & Co.	Image pg. A11
	Warner Denis G	R. L. Polk & Co.	Image pg. A11
1980	Peck D	R. L. Polk & Co.	Image pg. A20
1975	Olson Kerry	R. L. Polk & Co.	Image pg. A28
1970	OLSON DOUGLAS J	John M. Ducey	
1966	MC CAULEY JOSEPH	R. L. Polk & Co.	Image pg. A39
1961	Rogers Clarence M	R. L. Polk & Co.	Image pg. A48
1952	Gentry R G	R. L. Polk & Co. of California	Image pg. A57
1948	Boniface Frank	San Diego Directory Co.	Image pg. A66
1933	Waimon I J	San Diego Directory Co.	Image pg. A95

3516 COLUMBIA ST

<u>Year</u>	<u>Uses</u>	<u>Source</u>	
2000	ROJAS Pauline	Haines & Company	Image pg. A3
1992	Ro as Pauline	PACIFIC BELL WHITE PAGES	
1989	Rojas Pauline	Pacific Bell	
1984	Rojas Cirilio G	R. L. Polk & Co.	Image pg. A11
1980	Rojas Cirilio G	R. L. Polk & Co.	Image pg. A20
1975	Rojas Cirilio G	R. L. Polk & Co.	Image pg. A28
1970	ROJAS CIRILIO G a	John M. Ducey	
1966	ROJAS CIRILIO G	R. L. Polk & Co.	Image pg. A39
1961	Rojas Cirilio G	R. L. Polk & Co.	Image pg. A48
1960	Rojas Pauline	The Pacific Telephone Telegraph Co.	
1955	Rojas Pauline	R. L. Polk & Co.	

3517 COLUMBIA ST

<u>Year</u>	<u>Uses</u>	<u>Source</u>	
2000	BROWN Mark	Haines & Company	Image pg. A3
1984	No Return	R. L. Polk & Co.	Image pg. A11
1980	Courtney Richd B	R. L. Polk & Co.	Image pg. A20
1975	Martinez Robt A	R. L. Polk & Co.	Image pg. A28
1970	VACANT	John M. Ducey	
1966	VACANT	R. L. Polk & Co.	Image pg. A39
1961	No Return	R. L. Polk & Co.	Image pg. A48
1960	Pimental Richard	The Pacific Telephone Telegraph Co.	
1952	Zwemer Thodore W	R. L. Polk & Co. of California	Image pg. A57
1948	Schwegel G W	San Diego Directory Co.	Image pg. A66

FINDINGS

<u>Year</u>	<u>Uses</u>	<u>Source</u>	
1933	Vacant	San Diego Directory Co.	Image pg. A95

3518 COLUMBIA ST

<u>Year</u>	<u>Uses</u>	<u>Source</u>	
2000	No Current Listing	Haines & Company	Image pg. A3
1984	Ramirez Blanca	R. L. Polk & Co.	Image pg. A11
1980	Ramirez Blanca	R. L. Polk & Co.	Image pg. A20
1975	Kemper Clay	R. L. Polk & Co.	Image pg. A28
1970	MACIEL JOSE J	John M. Ducey	
1966	WIEDE VIRGINIA F	R. L. Polk & Co.	Image pg. A39
1961	Vacant	R. L. Polk & Co.	Image pg. A48
1960	Mc Donald Larry W	The Pacific Telephone Telegraph Co.	

3519 COLUMBIA ST

<u>Year</u>	<u>Uses</u>	<u>Source</u>	
2000	No Current Listing	Haines & Company	Image pg. A3
1989	Snitslaar Michael & Patricia	Pacific Bell	
1984	No Return	R. L. Polk & Co.	Image pg. A11
1980	Tate	R. L. Polk & Co.	Image pg. A20
1975	Holte Susan C	R. L. Polk & Co.	Image pg. A28
1970	KEPTNER CALVIN E	John M. Ducey	
1966	VACANT	R. L. Polk & Co.	Image pg. A39
1961	Vacant	R. L. Polk & Co.	Image pg. A48
1955	Trucks Rodney L	R. L. Polk & Co.	
1952	Muller C H	R. L. Polk & Co. of California	Image pg. A57

3520 COLUMBIA ST

<u>Year</u>	<u>Uses</u>	<u>Source</u>	
2000	No Current Listing	Haines & Company	Image pg. A3
1984	Brazil Robt	R. L. Polk & Co.	Image pg. A11
1980	Brazil Robt	R. L. Polk & Co.	Image pg. A20
1975	Brazil Robt	R. L. Polk & Co.	Image pg. A28
1970	VACANT	John M. Ducey	
1966	VACANT	R. L. Polk & Co.	Image pg. A39
1961	Vacant	R. L. Polk & Co.	Image pg. A48
1955	Stanek Robt B	R. L. Polk & Co.	

3521 COLUMBIA ST

<u>Year</u>	<u>Uses</u>	<u>Source</u>	
1984	Wellner	R. L. Polk & Co.	Image pg. A11

FINDINGS

<u>Year</u>	<u>Uses</u>	<u>Source</u>	
1980	Vacant	R. L. Polk & Co.	Image pg. A20
1975	Vacant	R. L. Polk & Co.	Image pg. A28
1970	HEILMAN JAMES A	John M. Ducey	
1966	BAKER ROBT W	R. L. Polk & Co.	Image pg. A39
1961	Vacant	R. L. Polk & Co.	Image pg. A48
1955	Bignell Helen C	R. L. Polk & Co.	
1952	La Rue P S	R. L. Polk & Co. of California	Image pg. A57
1948	Woodman G G	San Diego Directory Co.	Image pg. A66
	Dye W R	San Diego Directory Co.	Image pg. A66

3523 COLUMBIA ST

<u>Year</u>	<u>Uses</u>	<u>Source</u>	
1984	Watson Karen J	R. L. Polk & Co.	Image pg. A11
1980	Watson Karen J	R. L. Polk & Co.	Image pg. A20
1975	Fleming S E	R. L. Polk & Co.	Image pg. A28
1970	NOWICKI DONALD E	John M. Ducey	
1966	MC WILLIAMS WM H	R. L. Polk & Co.	Image pg. A39
	VACANT	R. L. Polk & Co.	Image pg. A39
1961	Acosta Roman O	R. L. Polk & Co.	Image pg. A48
1960	Lamb Winona	The Pacific Telephone Telegraph Co.	
1952	Spangler C M	R. L. Polk & Co. of California	Image pg. A57
1948	Woodis D N	San Diego Directory Co.	Image pg. A66

3525 COLUMBIA ST

<u>Year</u>	<u>Uses</u>	<u>Source</u>	
1992	Desmond Richard J	PACIFIC BELL WHITE PAGES	
1984	Gilmore Scott	R. L. Polk & Co.	Image pg. A11
1980	Gilmore Scott	R. L. Polk & Co.	Image pg. A20
1975	Alfieri D D	R. L. Polk & Co.	Image pg. A28
1970	HILL DOUGLAS L	John M. Ducey	
1966	PALMER FLORENCE B MRS	R. L. Polk & Co.	Image pg. A39
1961	Pitts J B	R. L. Polk & Co.	Image pg. A48
1960	Sandoval L M Mrs	The Pacific Telephone Telegraph Co.	
1952	Montaivo Raymond	R. L. Polk & Co. of California	Image pg. A57
1948	Starkey L E	San Diego Directory Co.	Image pg. A66
1945	Starkey L E r	San Diego Directory Co.	

FINDINGS

3528 COLUMBIA ST

<u>Year</u>	<u>Uses</u>	<u>Source</u>	
2006	SORIAFlav	Haines Company, Inc.	
2000	SORi AJesse	Haines & Company	Image pg. A3
	SORIAFlavia	Haines & Company	Image pg. A3
1992	Soria Jesse& Flavia	PACIFIC BELL WHITE PAGES	
1989	Soria Jesse & Flavia	Pacific Bell	
1984	Baker Viola M Mrs	R. L. Polk & Co.	Image pg. A11
1980	Baker Robt W	R. L. Polk & Co.	Image pg. A20
1975	Baker Robt W	R. L. Polk & Co.	Image pg. A28
1970	BAKER ROBT W S	John M. Ducey	
1966	PETHYBRIDGE MAT W	R. L. Polk & Co.	Image pg. A39
1961	Vacant	R. L. Polk & Co.	Image pg. A48
1952	Smith R M	R. L. Polk & Co. of California	Image pg. A57
1948	Smith R M	San Diego Directory Co.	Image pg. A66
1945	Smith Roy M r	San Diego Directory Co.	
1933	Smith R C	San Diego Directory Co.	Image pg. A95

3529 COLUMBIA ST

<u>Year</u>	<u>Uses</u>	<u>Source</u>	
2008	AIR HANDLING SYSTEMS	Cole Information Services	
2006	No Current Listing	Haines Company, Inc.	
2000	PENSELPeer H	Haines & Company	Image pg. A3
1989	Woods Richard L	Pacific Bell	
	Laird Nell E	Pacific Bell	

3531 COLUMBIA ST

<u>Year</u>	<u>Uses</u>	<u>Source</u>	
2006	No Current Listing	Haines Company, Inc.	
2000	FLEMING Elizabeth	Haines & Company	Image pg. A3
1989	Vance Blake E	Pacific Bell	
1984	Krutchik L	R. L. Polk & Co.	Image pg. A11
1980	Vacant	R. L. Polk & Co.	Image pg. A20
1975	Vacant	R. L. Polk & Co.	Image pg. A28
1970	THERKELSEN HANIS L	John M. Ducey	
1966	VACANT	R. L. Polk & Co.	Image pg. A39
1961	Tate Gleason J	R. L. Polk & Co.	Image pg. A48
1960	Jester Matilda	The Pacific Telephone Telegraph Co.	
1955	Jester Matilda	R. L. Polk & Co.	
1952	Jester Matilda Mrs	R. L. Polk & Co. of California	Image pg. A57

FINDINGS

<u>Year</u>	<u>Uses</u>	<u>Source</u>	
1948	Worner K W	San Diego Directory Co.	Image pg. A66
1945	Kendrick J Lawton r	San Diego Directory Co.	
1933	Brown J M	San Diego Directory Co.	Image pg. A95

3533 COLUMBIA ST

<u>Year</u>	<u>Uses</u>	<u>Source</u>	
2006	SHINE C	Haines Company, Inc.	
	BENKENDORFR	Haines Company, Inc.	
2000	SHINE Caroline	Haines & Company	Image pg. A3
	BENKENDORFRay	Haines & Company	Image pg. A3
1992	Shine Caroline	PACIFIC BELL WHITE PAGES	
	Benker Richard J	PACIFIC BELL WHITE PAGES	
	Benkendorf Ray	PACIFIC BELL WHITE PAGES	
1989	Benkendorf Ray	Pacific Bell	
	Shine Caroline	Pacific Bell	

3535 COLUMBIA ST

<u>Year</u>	<u>Uses</u>	<u>Source</u>	
2006	HOWELL Joseph	Haines Company, Inc.	
2000	No Current Listing	Haines & Company	Image pg. A3
1984	Under Constn	R. L. Polk & Co.	Image pg. A11
1980	Grenier Dennis	R. L. Polk & Co.	Image pg. A20
1975	Murphy D V	R. L. Polk & Co.	Image pg. A28
1970	MURPHY DOREEN V MRS	John M. Ducey	
1966	VACANT	R. L. Polk & Co.	Image pg. A39
1961	Vacant	R. L. Polk & Co.	Image pg. A48
1960	Murphy T E	The Pacific Telephone Telegraph Co.	
1955	Murphy T E	R. L. Polk & Co.	
1952	Murphy Thos	R. L. Polk & Co. of California	Image pg. A57
1948	Mac Lennan Donald	San Diego Directory Co.	Image pg. A66
1945	Mac Lennan Agnes C r	San Diego Directory Co.	
	Mac Lennan Donald r	San Diego Directory Co.	
1933	Eversoll D B	San Diego Directory Co.	Image pg. A95

3538 COLUMBIA ST

<u>Year</u>	<u>Uses</u>	<u>Source</u>	
2006	ACIROMarilyn	Haines Company, Inc.	
2000	No Current Listing	Haines & Company	Image pg. A3
1984	Crisci Dorotea Mrs	R. L. Polk & Co.	Image pg. A11

FINDINGS

<u>Year</u>	<u>Uses</u>	<u>Source</u>	
1980	Crisci Dorotea Mrs	R. L. Polk & Co.	Image pg. A20
1975	Crisci Guiseppe	R. L. Polk & Co.	Image pg. A28
1970	CRISCI JOSEPH	John M. Ducey	
1966	CRISCI JOSEPH	R. L. Polk & Co.	Image pg. A39
1961	Crisci Jos	R. L. Polk & Co.	Image pg. A48
1960	Crisci Jos	The Pacific Telephone Telegraph Co.	
1955	Crisci Jos	R. L. Polk & Co.	
1952	Crisci Jos	R. L. Polk & Co. of California	Image pg. A57
1948	Crisci Jos	San Diego Directory Co.	Image pg. A66
1945	Crisci Rose r	San Diego Directory Co.	
1933	Stacy Earl o	San Diego Directory Co.	Image pg. A95

3540 COLUMBIA ST

<u>Year</u>	<u>Uses</u>	<u>Source</u>	
2000	No Current Listing	Haines & Company	Image pg. A3
1984	Elie Robt	R. L. Polk & Co.	Image pg. A11
1980	Renaldi Richd	R. L. Polk & Co.	Image pg. A20
1975	Gee Deland	R. L. Polk & Co.	Image pg. A28
1970	PROCTOR ELMER	John M. Ducey	
1966	HARBER GILL	R. L. Polk & Co.	Image pg. A39
1961	Hicks Leon B	R. L. Polk & Co.	Image pg. A48

3542 COLUMBIA ST

<u>Year</u>	<u>Uses</u>	<u>Source</u>	
2006	No Current Listing	Haines Company, Inc.	
1989	Baron Steven	Pacific Bell	
1984	Mediate Rocco	R. L. Polk & Co.	Image pg. A11
1980	Weinmeicr	R. L. Polk & Co.	Image pg. A20

3544 COLUMBIA ST

<u>Year</u>	<u>Uses</u>	<u>Source</u>	
1984	Haas M	R. L. Polk & Co.	Image pg. A11
1980	OMalley Dan	R. L. Polk & Co.	Image pg. A20
1975	Vaught Robt J	R. L. Polk & Co.	Image pg. A28
	Vacant	R. L. Polk & Co.	Image pg. A28
1970	APARTMENTS	John M. Ducey	
	KIRKPATRICK NORMAN C	John M. Ducey	
	GARDENER ROBT C	John M. Ducey	
	RAMSEY T K	John M. Ducey	

FINDINGS

<u>Year</u>	<u>Uses</u>	<u>Source</u>	
1970	GIBSON TERRY W	John M. Ducey	
1966	KIRKPATRICK NORMAN C	R. L. Polk & Co.	Image pg. A39
	BURNHAM HOWARD M	R. L. Polk & Co.	Image pg. A39
	ALBRIGHT JOHN C	R. L. Polk & Co.	Image pg. A39
	VACANT APTS	R. L. Polk & Co.	Image pg. A39
	APARTMENTS	R. L. Polk & Co.	Image pg. A39
1961	Apartments	R. L. Polk & Co.	Image pg. A48
	Kirkpatrick Norman	R. L. Polk & Co.	Image pg. A48
	Boyce Margt	R. L. Polk & Co.	Image pg. A48
	Ivey Phil	R. L. Polk & Co.	Image pg. A48
	Vacant	R. L. Polk & Co.	Image pg. A48
	Howard Dan	R. L. Polk & Co.	Image pg. A48
1960	Oldham Geo N	The Pacific Telephone Telegraph Co.	
	Oldham Ronnie Mrs	The Pacific Telephone Telegraph Co.	
	Schadt G H	The Pacific Telephone Telegraph Co.	

3545 COLUMBIA ST

<u>Year</u>	<u>Uses</u>	<u>Source</u>	
1955	Taylor M D	R. L. Polk & Co.	
1952	Taylor G F	R. L. Polk & Co. of California	Image pg. A57
1948	Wilson Louise F	San Diego Directory Co.	Image pg. A66
1945	Wilson L F r	San Diego Directory Co.	
1933	Melzner A B	San Diego Directory Co.	Image pg. A95

3546 COLUMBIA ST

<u>Year</u>	<u>Uses</u>	<u>Source</u>	
1984	No Return	R. L. Polk & Co.	Image pg. A11
1980	N Lauth Connie	R. L. Polk & Co.	Image pg. A20

3600 COLUMBIA ST

<u>Year</u>	<u>Uses</u>	<u>Source</u>	
2006	No Current Listing	Haines Company, Inc.	
1992	Miller D D	PACIFIC BELL WHITE PAGES	
1984	Kohl D B	R. L. Polk & Co.	Image pg. A11
1980	N Kohl D B	R. L. Polk & Co.	Image pg. A20
1975	Humphreys Blythe D	R. L. Polk & Co.	Image pg. A28
1970	HUMPHREYS BLYTHE	John M. Ducey	

FINDINGS

3602 COLUMBIA ST

<u>Year</u>	<u>Uses</u>	<u>Source</u>	
2006	No Current Listing	Haines Company, Inc.	
1984	Durham Duane	R. L. Polk & Co.	Image pg. A11
1980	Hansen A M	R. L. Polk & Co.	Image pg. A20
1975	Hansen A M	R. L. Polk & Co.	Image pg. A28
1970	HANSEN A M	John M. Ducey	
1966	HANSEN A M	R. L. Polk & Co.	Image pg. A39
1961	Mindte Robt T	R. L. Polk & Co.	Image pg. A48

3604 COLUMBIA ST

<u>Year</u>	<u>Uses</u>	<u>Source</u>	
2006	DECKER J Jason	Haines Company, Inc.	
1989	Odhner Carl & January	Pacific Bell	
1984	Clark Richd	R. L. Polk & Co.	Image pg. A11
1980	N La Rivere Gilbert	R. L. Polk & Co.	Image pg. A20
1975	Dickerson Douglas	R. L. Polk & Co.	Image pg. A28
1970	SUTTON CLARK	John M. Ducey	
1966	FRABOTTA JOHN A	R. L. Polk & Co.	Image pg. A39
1961	Toothacre Rod M	R. L. Polk & Co.	Image pg. A48

3606 COLUMBIA ST

<u>Year</u>	<u>Uses</u>	<u>Source</u>	
2006	o DYCKMANKnislne E	Haines Company, Inc.	
1992	Moa David	PACIFIC BELL WHITE PAGES	
	Moa Tolufate	PACIFIC BELL WHITE PAGES	
	Moad R	PACIFIC BELL WHITE PAGES	
1989	Moa David	Pacific Bell	
1984	Sibley Raymond A	R. L. Polk & Co.	Image pg. A11
1980	Moore Robt J	R. L. Polk & Co.	Image pg. A20
1975	Snith Sydney	R. L. Polk & Co.	Image pg. A28
1970	JONES CADILLAC MRS	John M. Ducey	
1966	VACANT	R. L. Polk & Co.	Image pg. A39

3608 COLUMBIA ST

<u>Year</u>	<u>Uses</u>	<u>Source</u>
1992	Malfara K	PACIFIC BELL WHITE PAGES
	Malfara Richard S	PACIFIC BELL WHITE PAGES
	Malfara Dick	PACIFIC BELL WHITE PAGES
1989	Malfara Dick	Pacific Bell

FINDINGS

<u>Year</u>	<u>Uses</u>	<u>Source</u>	
1989	Malfara Richard S	Pacific Bell	
1984	Campbell Donna	R. L. Polk & Co.	Image pg. A11
1980	Campbell Donna	R. L. Polk & Co.	Image pg. A20
1975	Johnson Wm	R. L. Polk & Co.	Image pg. A28
1970	SHELTON HENRY C	John M. Ducey	
1966	VACANT	R. L. Polk & Co.	Image pg. A39
1961	Metzer Dovonne Mrs	R. L. Polk & Co.	Image pg. A48

3610 COLUMBIA ST

<u>Year</u>	<u>Uses</u>	<u>Source</u>	
2006	No Current Listing	Haines Company, Inc.	
2000	ISSELHARDTDion M	Haines & Company	Image pg. A3
	ISSELHARDTDion M	Haines & Company	Image pg. A3
1984	Vega Richd J	R. L. Polk & Co.	Image pg. A11
1980	Vega Richd J	R. L. Polk & Co.	Image pg. A20
1975	Sweeney Dennis	R. L. Polk & Co.	Image pg. A28
1970	VACANT	John M. Ducey	
1966	RIDZON JAMES R	R. L. Polk & Co.	Image pg. A39

COLUMBIA/UPAS

COLUMBIA/UPAS

<u>Year</u>	<u>Uses</u>	<u>Source</u>	
1961	COLUMBIA/UPAS	R. L. Polk & Co.	Image pg. A48
1952	COLUMBIA/UPAS	R. L. Polk & Co. of California	Image pg. A57
1948	COLUMBIA/UPAS	San Diego Directory Co.	Image pg. A66
1943	COLUMBIA/UPAS	San Diego Directory Co.	Image pg. A77
1938	COLUMBIA/UPAS	San Diego Directory Co.	Image pg. A86
1933	COLUMBIA/UPAS	San Diego Directory Co.	Image pg. A95

COLUMBIA/UPAS ST

COLUMBIA/UPAS ST

<u>Year</u>	<u>Uses</u>	<u>Source</u>	
1984	COLUMBIA/UPAS ST	R. L. Polk & Co.	Image pg. A11
1980	COLUMBIA/UPAS ST	R. L. Polk & Co.	Image pg. A20
1975	COLUMBIA/UPAS ST	R. L. Polk & Co.	Image pg. A28
1970	COLUMBIA/UPAS ST	John M. Ducey	
1966	COLUMBIA/UPAS ST	R. L. Polk & Co.	Image pg. A39

FINDINGS

COLUMBIA/VINE

COLUMBIA/VINE

<u>Year</u>	<u>Uses</u>	<u>Source</u>	
1952	COLUMBIA/VINE	R. L. Polk & Co. of California	Image pg. A57
1948	COLUMBIA/VINE	San Diego Directory Co.	Image pg. A66
1943	COLUMBIA/VINE	San Diego Directory Co.	Image pg. A77
1938	COLUMBIA/VINE	San Diego Directory Co.	Image pg. A86
1933	COLUMBIA/VINE	San Diego Directory Co.	Image pg. A95

COLUMBIA/WALNUT AV

COLUMBIA/WALNUT AV

<u>Year</u>	<u>Uses</u>	<u>Source</u>	
1984	COLUMBIA/WALNUT AV	R. L. Polk & Co.	Image pg. A11
1980	COLUMBIA/WALNUT AV	R. L. Polk & Co.	Image pg. A20
1927	COLUMBIA/WALNUT AV	San Diego Directory Co.	Image pg. A104

GLENWOOD DR

1702 GLENWOOD DR

<u>Year</u>	<u>Uses</u>	<u>Source</u>	
2006	No Current Listing	Haines Company, Inc.	
2000	DARBY Heidi	Haines & Company	Image pg. A4
1992	Toraitis T	PACIFIC BELL WHITE PAGES	
1984	Toraitis Tom G	R. L. Polk & Co.	Image pg. A12
1980	Toraitis Tom G	R. L. Polk & Co.	Image pg. A21
1975	Vacant	R. L. Polk & Co.	Image pg. A29
1970	ROBERTS BILLY	John M. Ducey	
1955	King Dorothy F	R. L. Polk & Co.	
1952	Johnson J H	R. L. Polk & Co. of California	Image pg. A58
1948	Johnson J H	San Diego Directory Co.	Image pg. A67
1943	Alsup J W	San Diego Directory Co.	Image pg. A78
1938	Severance Cassell	San Diego Directory Co.	Image pg. A87
1933	Vacant	San Diego Directory Co.	Image pg. A96

1704 GLENWOOD DR

<u>Year</u>	<u>Uses</u>	<u>Source</u>	
2006	MARTIN Alejandro	Haines Company, Inc.	
2000	GALLAND Brock T	Haines & Company	Image pg. A4
1992	Galland Brock	PACIFIC BELL WHITE PAGES	

FINDINGS

<u>Year</u>	<u>Uses</u>	<u>Source</u>	
1984	Schwengl Paul	R. L. Polk & Co.	Image pg. A12
1980	No Return	R. L. Polk & Co.	Image pg. A21
1975	Kemp John	R. L. Polk & Co.	Image pg. A29
1970	VACANT	John M. Ducey	
1966	VACANT	R. L. Polk & Co.	Image pg. A40
1961	Pierce Elanor Mrs	R. L. Polk & Co.	Image pg. A49
1960	Willburn Betty A	The Pacific Telephone Telegraph Co.	
1952	Noakes E I	R. L. Polk & Co. of California	Image pg. A58
1948	Holland F C	San Diego Directory Co.	Image pg. A67
1943	Christian Mildred	San Diego Directory Co.	Image pg. A78
1938	Bruce F D	San Diego Directory Co.	Image pg. A87
1933	Schanze H A	San Diego Directory Co.	Image pg. A96

1705 GLENWOOD DR

<u>Year</u>	<u>Uses</u>	<u>Source</u>	
2006	No Current Listing	Haines Company, Inc.	
2000	No Current Listing	Haines & Company	Image pg. A4
1992	Havens J L	PACIFIC BELL WHITE PAGES	
1989	Havens J L	Pacific Bell	
1984	Havens James L	R. L. Polk & Co.	Image pg. A12
1980	Havens James L	R. L. Polk & Co.	Image pg. A21
1975	Havens James L	R. L. Polk & Co.	Image pg. A29
1970	HAVENS JAMES L	John M. Ducey	
1966	HAVENS JAMES C	R. L. Polk & Co.	Image pg. A40
1961	Mahiwa Fredk M	R. L. Polk & Co.	Image pg. A49
1960	Priest Al	The Pacific Telephone Telegraph Co.	
1952	Belchez R R	R. L. Polk & Co. of California	Image pg. A58
1948	Scott W R	San Diego Directory Co.	Image pg. A67
1945	Scott Walter R r	San Diego Directory Co.	
1943	Scott W R	San Diego Directory Co.	Image pg. A78

1706 GLENWOOD DR

<u>Year</u>	<u>Uses</u>	<u>Source</u>	
1966	VACANT	R. L. Polk & Co.	Image pg. A40
1961	Heriford Richd D	R. L. Polk & Co.	Image pg. A49
1952	Vacant	R. L. Polk & Co. of California	Image pg. A58

FINDINGS

1708 GLENWOOD DR

<u>Year</u>	<u>Uses</u>	<u>Source</u>	
2006	No Current Listing	Haines Company, Inc.	
2000	No Current Listing	Haines & Company	Image pg. A4
1984	Waynescott Darlene	R. L. Polk & Co.	Image pg. A12
1980	Vacant	R. L. Polk & Co.	Image pg. A21
1975	Overy Roy C	R. L. Polk & Co.	Image pg. A29
1970	ONEIL MARY L MRS	John M. Ducey	
1966	VACANT	R. L. Polk & Co.	Image pg. A40
1961	Sklut Milton	R. L. Polk & Co.	Image pg. A49
1955	De Lay Wm M	R. L. Polk & Co.	
1952	De Lay W M	R. L. Polk & Co. of California	Image pg. A58
1948	Brooks Quanetta V	San Diego Directory Co.	Image pg. A67
1943	Smith R D	San Diego Directory Co.	Image pg. A78
1938	ABenner C A	San Diego Directory Co.	Image pg. A87

1709 GLENWOOD DR

<u>Year</u>	<u>Uses</u>	<u>Source</u>	
2006	WILLIS Nancy	Haines Company, Inc.	
2000	A A A FLOOD RESCUE RECORDS	Haines & Company Haines & Company	Image pg. A4 Image pg. A4
1989	Smallwood Alan & Sandra	Pacific Bell	
1984	Elmore Geo S	R. L. Polk & Co.	Image pg. A12
1980	Elmore Geo S	R. L. Polk & Co.	Image pg. A21
1975	Elmore Geo S	R. L. Polk & Co.	Image pg. A29
1970	ELMORE GEO S	John M. Ducey	
1966	ELMORE GEO S	R. L. Polk & Co.	Image pg. A40
1961	Elmore Geo S	R. L. Polk & Co.	Image pg. A49
1960	Elmore G S	The Pacific Telephone Telegraph Co.	
1952	Jacob Mae M	R. L. Polk & Co. of California	Image pg. A58
1948	Pinson K C	San Diego Directory Co.	Image pg. A67
1945	Cole Glen S r	San Diego Directory Co.	
1943	ABenedict E K	San Diego Directory Co.	Image pg. A78

1710 GLENWOOD DR

<u>Year</u>	<u>Uses</u>	<u>Source</u>	
2006	No Current Listing	Haines Company, Inc.	
2000	No Current Listing	Haines & Company	Image pg. A4
1992	Ryan John	PACIFIC BELL WHITE PAGES	
1989	Schwingl Paul	Pacific Bell	

FINDINGS

<u>Year</u>	<u>Uses</u>	<u>Source</u>	
1984	Guardado Manuel	R. L. Polk & Co.	Image pg. A12
1980	N Repine Sylvia	R. L. Polk & Co.	Image pg. A21
1975	Basko Steve	R. L. Polk & Co.	Image pg. A29

1711 GLENWOOD DR

<u>Year</u>	<u>Uses</u>	<u>Source</u>	
2006	No Current Listing	Haines Company, Inc.	
2000	No Current Listing	Haines & Company	Image pg. A4
1992	Smith Kay D	PACIFIC BELL WHITE PAGES	
1989	Pozo M C	Pacific Bell	
1984	Cromwell America	R. L. Polk & Co.	Image pg. A12
1980	Horner Henry H	R. L. Polk & Co.	Image pg. A21
1975	Horner Henry H	R. L. Polk & Co.	Image pg. A29
1970	HORNER HENRY H	John M. Ducey	
1966	HORNER HENRY H	R. L. Polk & Co.	Image pg. A40
1961	Lotta Vito E	R. L. Polk & Co.	Image pg. A49
1960	Bickel Leslie	The Pacific Telephone Telegraph Co.	
1952	Riffel H H	R. L. Polk & Co. of California	Image pg. A58
1948	Reinemund B R	San Diego Directory Co.	Image pg. A67
1945	Donegan Minton S Mrs r	San Diego Directory Co.	
1943	Donnegan M S Mrs	San Diego Directory Co.	Image pg. A78

1712 GLENWOOD DR

<u>Year</u>	<u>Uses</u>	<u>Source</u>	
2006	e REPINE Burt	Haines Company, Inc.	
2000	No Current Listing	Haines & Company	Image pg. A4
1984	Parks Terry M	R. L. Polk & Co.	Image pg. A12
1980	N Parks Terry M	R. L. Polk & Co.	Image pg. A21
1975	No Return	R. L. Polk & Co.	Image pg. A29
1970	SAN DIEGO ACCORDION STUDIO	John M. Ducey	
	GUY EDW	John M. Ducey	
	MOORE GREGORY A	John M. Ducey	
1966	VACANT	R. L. Polk & Co.	Image pg. A40
1961	Welch Vincent C	R. L. Polk & Co.	Image pg. A49
1955	Miller Oscar W	R. L. Polk & Co.	
1952	Barnes S W	R. L. Polk & Co. of California	Image pg. A58
	1/2 Parks C G	R. L. Polk & Co. of California	Image pg. A58
1948	1/2 Parks C G	San Diego Directory Co.	Image pg. A67
	Domnie W D	San Diego Directory Co.	Image pg. A67

FINDINGS

<u>Year</u>	<u>Uses</u>	<u>Source</u>	
1945	Wagner C F r	San Diego Directory Co.	
	Manning Jas V Mrs r	San Diego Directory Co.	
1943	Wagner Conrad	San Diego Directory Co.	Image pg. A78
1938	ASherman L J Mrs	San Diego Directory Co.	Image pg. A87
	Wagner C F	San Diego Directory Co.	Image pg. A87
1933	Sherman A B	San Diego Directory Co.	Image pg. A96
1927	Vacant	San Diego Directory Co.	Image pg. A105
1921	Stevens Bertha wid Saml r	San Diego Directory Co. Inc.	
	Stevens Chas A supv Pac	San Diego Directory Co. Inc.	
	Stevens Jas H Marian R lieut U S N h	San Diego Directory Co. Inc.	

1715 GLENWOOD DR

<u>Year</u>	<u>Uses</u>	<u>Source</u>	
1984	Gavey Alf	R. L. Polk & Co.	Image pg. A12
1980	Garrisi Joseph L	R. L. Polk & Co.	Image pg. A21
1975	Vacant	R. L. Polk & Co.	Image pg. A29
1970	METZ LAURA MRS	John M. Ducey	
1966	VACANT	R. L. Polk & Co.	Image pg. A40
1961	Stammers Edwin R	R. L. Polk & Co.	Image pg. A49
1960	Frazer John V	The Pacific Telephone Telegraph Co.	
1955	Ryan Jas W	R. L. Polk & Co.	
1952	Signorelli F J	R. L. Polk & Co. of California	Image pg. A58
1948	Holloway E L Mrs	San Diego Directory Co.	Image pg. A67
1943	Noack L G Mrs	San Diego Directory Co.	Image pg. A78

1716 GLENWOOD DR

<u>Year</u>	<u>Uses</u>	<u>Source</u>	
2006	DELALATShadar	Haines Company, Inc.	
2000	ALBRECHTRoland E	Haines & Company	Image pg. A4
1992	Albrecht Roland E	PACIFIC BELL WHITE PAGES	
	Albrecht Rudy E	PACIFIC BELL WHITE PAGES	
1989	Albrecht Roland E	Pacific Bell	
1984	Erwin Earl J	R. L. Polk & Co.	Image pg. A12
	1/2 Peterson Kathy	R. L. Polk & Co.	Image pg. A12
1980	Erwin Earl J	R. L. Polk & Co.	Image pg. A21
	/2 N Boddenhammer Thos C	R. L. Polk & Co.	Image pg. A21
1975	Erwin Earl J	R. L. Polk & Co.	Image pg. A29
	Vacant	R. L. Polk & Co.	Image pg. A29
1970	ERWIN EARL J	John M. Ducey	

FINDINGS

<u>Year</u>	<u>Uses</u>	<u>Source</u>	
1970	MC GOWAN MARGT	John M. Ducey	
1966	ERWIN EARL J	R. L. Polk & Co.	Image pg. A40
	VACANT	R. L. Polk & Co.	Image pg. A40
1961	Erwin Earl J	R. L. Polk & Co.	Image pg. A49
	1/2 Howe Jordan J	R. L. Polk & Co.	Image pg. A49
1960	Privee Edessa T	The Pacific Telephone Telegraph Co.	
	Privee Leon A	The Pacific Telephone Telegraph Co.	
1955	Davis Gladys M	R. L. Polk & Co.	
	Von Gottberg Roy	R. L. Polk & Co.	
1952	Tittle Ella Mrs	R. L. Polk & Co. of California	Image pg. A58
	Ziegler R P	R. L. Polk & Co. of California	Image pg. A58
	1/2 Boers K B	R. L. Polk & Co. of California	Image pg. A58
1948	Crawford Jac	San Diego Directory Co.	Image pg. A67
	1/2 Cutcheon W B	San Diego Directory Co.	Image pg. A67
1945	Reed R R r	San Diego Directory Co.	
1943	Sellers E L	San Diego Directory Co.	Image pg. A78
	1/2 Glass K S	San Diego Directory Co.	Image pg. A78
1938	Guerin John	San Diego Directory Co.	Image pg. A87
	Mooney M C	San Diego Directory Co.	Image pg. A87
	1/2 ACousins F L	San Diego Directory Co.	Image pg. A87
1933	Walsh E M	San Diego Directory Co.	Image pg. A96
	Vacant	San Diego Directory Co.	Image pg. A96
1927	Vacant	San Diego Directory Co.	Image pg. A105
1921	Brown Dani Amelia lieut commander U S N h	San Diego Directory Co. Inc.	

1720 GLENWOOD DR

<u>Year</u>	<u>Uses</u>	<u>Source</u>	
1966	VACANT	R. L. Polk & Co.	Image pg. A40
	VACANT	R. L. Polk & Co.	Image pg. A40
1961	Vacant	R. L. Polk & Co.	Image pg. A49
1960	Jones Clark	The Pacific Telephone Telegraph Co.	
1955	Salter John A	R. L. Polk & Co.	
1952	Knowles Delbert	R. L. Polk & Co. of California	Image pg. A58
	1/2 Constant Jack	R. L. Polk & Co. of California	Image pg. A58
1948	Hoffman Albt	San Diego Directory Co.	Image pg. A67
	1/2 Casner W D	San Diego Directory Co.	Image pg. A67
1945	Dominoe Wm r	San Diego Directory Co.	
1943	Roberts WV M	San Diego Directory Co.	Image pg. A78

FINDINGS

<u>Year</u>	<u>Uses</u>	<u>Source</u>	
1943	1/2 Alii ii iii w W I	San Diego Directory Co.	Image pg. A78
1938	Holmes J D	San Diego Directory Co.	Image pg. A87
	1/2 2 Kay H L	San Diego Directory Co.	Image pg. A87
1933	Harrison W E	San Diego Directory Co.	Image pg. A96
	1/2 A Chavers Anthony	San Diego Directory Co.	Image pg. A96
1927	Vacant	San Diego Directory Co.	Image pg. A105
	1/2 Vacant	San Diego Directory Co.	Image pg. A105

1722 GLENWOOD DR

<u>Year</u>	<u>Uses</u>	<u>Source</u>	
1966	WHARTON CHARLES B	R. L. Polk & Co.	Image pg. A40
	BARLOW DONALD E	R. L. Polk & Co.	Image pg. A40
1961	1/2 Vacant	R. L. Polk & Co.	Image pg. A49
	Vacant	R. L. Polk & Co.	Image pg. A49
1955	Rust Earl	R. L. Polk & Co.	
1952	1/2 Roper G I	R. L. Polk & Co. of California	Image pg. A58
	Fennell J C	R. L. Polk & Co. of California	Image pg. A58
1948	Lakin M B Mrs	San Diego Directory Co.	Image pg. A67
	1/2 Barnes S W	San Diego Directory Co.	Image pg. A67
1943	1/2 Gould Bllrtj	San Diego Directory Co.	Image pg. A78
	Kiilgord C L	San Diego Directory Co.	Image pg. A78
1938	1/2 Smith L J	San Diego Directory Co.	Image pg. A87
	ATheis D A	San Diego Directory Co.	Image pg. A87
1933	1/2 Warden D H	San Diego Directory Co.	Image pg. A96
	V	San Diego Directory Co.	Image pg. A96
1927	1/2 Bull F G	San Diego Directory Co.	Image pg. A105
	Vacant	San Diego Directory Co.	Image pg. A105

1724 GLENWOOD DR

<u>Year</u>	<u>Uses</u>	<u>Source</u>	
1966	VACANT	R. L. Polk & Co.	Image pg. A40
	ANDREWS EZELL	R. L. Polk & Co.	Image pg. A40
1961	Mitchell Earl D	R. L. Polk & Co.	Image pg. A49
	1/2 Speer Donald	R. L. Polk & Co.	Image pg. A49
1955	Ashley Robt F	R. L. Polk & Co.	
	Jarrett Jacqueline D	R. L. Polk & Co.	
1952	Patterson W S	R. L. Polk & Co. of California	Image pg. A58
	1/2 Hamilton E J	R. L. Polk & Co. of California	Image pg. A58
1948	1/2 Simons J M	San Diego Directory Co.	Image pg. A67

FINDINGS

<u>Year</u>	<u>Uses</u>	<u>Source</u>	
1948	Sainsbury L W	San Diego Directory Co.	Image pg. A67
1943	Sainsbur Y Ib WV	San Diego Directory Co.	Image pg. A78
1938	AGoodson H M	San Diego Directory Co.	Image pg. A87
	1/2 Mc Donoughl S P	San Diego Directory Co.	Image pg. A87
1933	Abbott C L	San Diego Directory Co.	Image pg. A96
	1/2 Scott Thos	San Diego Directory Co.	Image pg. A96
1927	Vacant	San Diego Directory Co.	Image pg. A105
	1/2 Vacant	San Diego Directory Co.	Image pg. A105

1730 GLENWOOD DR

<u>Year</u>	<u>Uses</u>	<u>Source</u>	
1966	GIAMMARINARO JASPER	R. L. Polk & Co.	Image pg. A40
1961	Giammarinaro Jasper	R. L. Polk & Co.	Image pg. A49
1960	Giammarinaro Jasper	The Pacific Telephone Telegraph Co.	
1955	Terramagra Jas J Mrs	R. L. Polk & Co.	

1732 GLENWOOD DR

<u>Year</u>	<u>Uses</u>	<u>Source</u>	
1966	BRIGANTE JAMES	R. L. Polk & Co.	Image pg. A40
1961	Brigante James	R. L. Polk & Co.	Image pg. A49
1960	Churchill Roger S	The Pacific Telephone Telegraph Co.	
1955	Kessel Edwin D	R. L. Polk & Co.	

1734 GLENWOOD DR

<u>Year</u>	<u>Uses</u>	<u>Source</u>	
1966	VACANT	R. L. Polk & Co.	Image pg. A40
1961	Hubbard John E	R. L. Polk & Co.	Image pg. A49
1960	Hubbard John E	The Pacific Telephone Telegraph Co.	
1955	West T W	R. L. Polk & Co.	

1736 GLENWOOD DR

<u>Year</u>	<u>Uses</u>	<u>Source</u>	
1966	VACANT	R. L. Polk & Co.	Image pg. A40
1961	Dimarila Salvadore	R. L. Polk & Co.	Image pg. A49
1960	Winterink Ben A	The Pacific Telephone Telegraph Co.	
1955	Luzi Rosina	R. L. Polk & Co.	

1738 GLENWOOD DR

<u>Year</u>	<u>Uses</u>	<u>Source</u>	
1966	VACANT	R. L. Polk & Co.	Image pg. A40

FINDINGS

<u>Year</u>	<u>Uses</u>	<u>Source</u>	
1961	Gardner Edna Mrs	R. L. Polk & Co.	Image pg. A49

1740 GLENWOOD DR

<u>Year</u>	<u>Uses</u>	<u>Source</u>	
1966	TERRAMAGRA JAMES J S	R. L. Polk & Co.	Image pg. A40
1961	Terramagra Jas J	R. L. Polk & Co.	Image pg. A49
1960	Terramagra Vincent J	The Pacific Telephone Telegraph Co.	
1955	Terramagra Vincent J	R. L. Polk & Co.	

GLENWOOD/INDIA

GLENWOOD/INDIA

<u>Year</u>	<u>Uses</u>	<u>Source</u>	
1927	GLENWOOD/INDIA	San Diego Directory Co.	Image pg. A105

GLENWOOD/INDIA ST

GLENWOOD/INDIA ST

<u>Year</u>	<u>Uses</u>	<u>Source</u>	
1984	GLENWOOD/INDIA ST	R. L. Polk & Co.	Image pg. A12
1980	GLENWOOD/INDIA ST	R. L. Polk & Co.	Image pg. A21

INDIA

3468 INDIA

<u>Year</u>	<u>Uses</u>	<u>Source</u>	
1960	El Francisco Apts	The Pacific Telephone Telegraph Co.	
1955	Ward Irene Mrs	R. L. Polk & Co.	
	Solberg Ralph M Ph T	R. L. Polk & Co.	

3503 INDIA

<u>Year</u>	<u>Uses</u>	<u>Source</u>	
1960	Welch Walter	The Pacific Telephone Telegraph Co.	
1955	Welch Walter	R. L. Polk & Co.	
1945	Welch Walter r	San Diego Directory Co.	

3505 INDIA

<u>Year</u>	<u>Uses</u>	<u>Source</u>	
1955	Lense Lawrence D	R. L. Polk & Co.	
1945	Jamieson Golden E r	San Diego Directory Co.	

FINDINGS

3507 INDIA

<u>Year</u>	<u>Uses</u>	<u>Source</u>
1960	Pound Paul	The Pacific Telephone Telegraph Co.
1945	Hart Andrew E r	San Diego Directory Co.

3509 INDIA

<u>Year</u>	<u>Uses</u>	<u>Source</u>
1955	Stevens W E Mrs	R. L. Polk & Co.

3511 INDIA

<u>Year</u>	<u>Uses</u>	<u>Source</u>
1992	Southern California Attorney Service	PACIFIC BELL WHITE PAGES
	Southern California Auto Auction Transport	PACIFIC BELL WHITE PAGES
	U S Photo Copy Service	PACIFIC BELL WHITE PAGES
	US Public Fax Double Tree Hotel West Entrance	PACIFIC BELL WHITE PAGES
1960	Mc Bee Company The See Royal Mc Bee Corporation	The Pacific Telephone Telegraph Co.
	Pres To Line Corp of America	The Pacific Telephone Telegraph Co.
	ROYAL MC BEE CORPORATION Data Processing Div	The Pacific Telephone Telegraph Co.
	Royal Typewriter Div	The Pacific Telephone Telegraph Co.
	Royal Typewriter Company See Royal Mc Bee Corporation	The Pacific Telephone Telegraph Co.
	Royal Typewriter Division Mc Bee Company The See Royal Mc Bee Corporation	The Pacific Telephone Telegraph Co.

3512 INDIA

<u>Year</u>	<u>Uses</u>	<u>Source</u>
1960	Oberto Dominick	The Pacific Telephone Telegraph Co.
1955	Andrews T N	R. L. Polk & Co.
1945	Dougherty P r	San Diego Directory Co.

3514 INDIA

<u>Year</u>	<u>Uses</u>	<u>Source</u>
1960	Salazar Joe	The Pacific Telephone Telegraph Co.
1955	Fancher Roy Mrs	R. L. Polk & Co.

3519 INDIA

<u>Year</u>	<u>Uses</u>	<u>Source</u>
1960	Lamoreaux Beatrice D	The Pacific Telephone Telegraph Co.
1955	Lamoreaux Beatrice D	R. L. Polk & Co.

FINDINGS

<u>Year</u>	<u>Uses</u>	<u>Source</u>
1945	Lamoreaux Paul W r	San Diego Directory Co.

3521 INDIA

<u>Year</u>	<u>Uses</u>	<u>Source</u>
1960	Hayes Carol	The Pacific Telephone Telegraph Co.

3523 INDIA

<u>Year</u>	<u>Uses</u>	<u>Source</u>
1955	Muchnic Maxine	R. L. Polk & Co.

3525 INDIA

<u>Year</u>	<u>Uses</u>	<u>Source</u>
1960	Worth Kon	The Pacific Telephone Telegraph Co.
	Turiansky Basil	The Pacific Telephone Telegraph Co.

3526 INDIA

<u>Year</u>	<u>Uses</u>	<u>Source</u>
1960	Billick M E	The Pacific Telephone Telegraph Co.
1955	Billick M E	R. L. Polk & Co.
	Oberto Dominick	R. L. Polk & Co.
	Irving B C	R. L. Polk & Co.

3527 INDIA

<u>Year</u>	<u>Uses</u>	<u>Source</u>
1960	Goldansky A R	The Pacific Telephone Telegraph Co.
1955	Wright Marvin	R. L. Polk & Co.

3529 INDIA

<u>Year</u>	<u>Uses</u>	<u>Source</u>
1960	Clifford Wm E	The Pacific Telephone Telegraph Co.
1955	Clifford Wm E	R. L. Polk & Co.
1945	Lisk H G r	San Diego Directory Co.

3536 INDIA

<u>Year</u>	<u>Uses</u>	<u>Source</u>
1955	Hutton K L	R. L. Polk & Co.
1945	Lasater J Austin r	San Diego Directory Co.

3537 INDIA

<u>Year</u>	<u>Uses</u>	<u>Source</u>
1960	Lindsey Phoebe M Mrs	The Pacific Telephone Telegraph Co.

FINDINGS

3538 INDIA

<u>Year</u>	<u>Uses</u>	<u>Source</u>
1960	Walton C H	The Pacific Telephone Telegraph Co.
1955	Walton C H	R. L. Polk & Co.
1945	Bender C R Lt Comdr r	San Diego Directory Co.

3540 INDIA

<u>Year</u>	<u>Uses</u>	<u>Source</u>
1960	Holt Robt W	The Pacific Telephone Telegraph Co.
1955	Holt Robt W	R. L. Polk & Co.
1945	Campbell J A r	San Diego Directory Co.

3543 INDIA

<u>Year</u>	<u>Uses</u>	<u>Source</u>
1960	Roberts Kenneth Jos	The Pacific Telephone Telegraph Co.

3544 INDIA

<u>Year</u>	<u>Uses</u>	<u>Source</u>
1960	Cole Danl P civ engr	The Pacific Telephone Telegraph Co.
	Jacot Paul G civ engr	The Pacific Telephone Telegraph Co.
	Jacot Paul G	The Pacific Telephone Telegraph Co.
1955	Brayfield Geo E	R. L. Polk & Co.
1945	Rogers Russell R r	San Diego Directory Co.

3546 INDIA

<u>Year</u>	<u>Uses</u>	<u>Source</u>
1955	Douglas Douglas D	R. L. Polk & Co.
1945	Siddall Marion S r	San Diego Directory Co.

3547 INDIA

<u>Year</u>	<u>Uses</u>	<u>Source</u>
1955	Wyche Chas D	R. L. Polk & Co.
	Bogoger Florence	R. L. Polk & Co.

3549 INDIA

<u>Year</u>	<u>Uses</u>	<u>Source</u>
1960	Ware Earl W	The Pacific Telephone Telegraph Co.
	Ware Beverly Bayne	The Pacific Telephone Telegraph Co.

3555 INDIA

<u>Year</u>	<u>Uses</u>	<u>Source</u>
1992	Paper Plus	PACIFIC BELL WHITE PAGES

FINDINGS

<u>Year</u>	<u>Uses</u>	<u>Source</u>
1992	Franks Bakery	PACIFIC BELL WHITE PAGES
1991	From Escondida Telephones Call	PACIFIC BELL WHITE PAGES
	Amfac Health Care	PACIFIC BELL WHITE PAGES
1960	Pharma Med Co Inc	The Pacific Telephone Telegraph Co.

3585 INDIA

<u>Year</u>	<u>Uses</u>	<u>Source</u>
1992	Mission Hills	PACIFIC BELL WHITE PAGES

3615 INDIA

<u>Year</u>	<u>Uses</u>	<u>Source</u>
1992	Wind Song	PACIFIC BELL WHITE PAGES
	Swings N Things	PACIFIC BELL WHITE PAGES
1960	NIC L SILVER BATTERY CO	The Pacific Telephone Telegraph Co.

3616 INDIA

<u>Year</u>	<u>Uses</u>	<u>Source</u>
1960	Green A F	The Pacific Telephone Telegraph Co.
1955	Green A F	R. L. Polk & Co.
1921	Tarber Jules E Lizzie car clnr h	San Diego Directory Co. Inc.
	Mc Mullen & Rabinovitz S P Mc Mullen Max Rabinovitz bakers 618	San Diego Directory Co. Inc.
	Mc Mullen Thos Moise r	San Diego Directory Co. Inc.

3617 INDIA

<u>Year</u>	<u>Uses</u>	<u>Source</u>
1992	GOODRICH S URPLUS	PACIFIC BELL WHITE PAGES
	Goodridge KE.	PACIFIC BELL WHITE PAGES
	Goodridge CR.....	PACIFIC BELL WHITE PAGES
	Goodrick William F & Mary J	PACIFIC BELL WHITE PAGES
	Goodrick Property Management P Box 23965	PACIFIC BELL WHITE PAGES
	Goodrich Ted & Suzanne	PACIFIC BELL WHITE PAGES
1960	AUTOMATIC TRANSMISSION SERV	The Pacific Telephone Telegraph Co.

3620 INDIA

<u>Year</u>	<u>Uses</u>	<u>Source</u>
1955	Dunn Travis E	R. L. Polk & Co.
1945	Blaisdell Loy R r	San Diego Directory Co.

FINDINGS

3621 INDIA

<u>Year</u>	<u>Uses</u>	<u>Source</u>
1992	A I Tree Service	PACIFIC BELL WHITE PAGES

3623 INDIA

<u>Year</u>	<u>Uses</u>	<u>Source</u>
1992	India Ink	PACIFIC BELL WHITE PAGES
1960	AUTOMATIC TRANSMISSION MACH & SUPPLY pts	The Pacific Telephone Telegraph Co.

3630 INDIA

<u>Year</u>	<u>Uses</u>	<u>Source</u>
1960	Pieper C L	The Pacific Telephone Telegraph Co.
1955	Pieper C L	R. L. Polk & Co.

3633 INDIA

<u>Year</u>	<u>Uses</u>	<u>Source</u>
1960	Sabrina Continental Corp contrs	The Pacific Telephone Telegraph Co.
	Jonte Jas L	The Pacific Telephone Telegraph Co.
	Griffith Grace P	The Pacific Telephone Telegraph Co.
1955	Stout Olive	R. L. Polk & Co.
	Kurth Gail M	R. L. Polk & Co.
	Jensen Chas A	R. L. Polk & Co.
	Genaro Margaret M	R. L. Polk & Co.

INDIA ST

3443 INDIA ST

<u>Year</u>	<u>Uses</u>	<u>Source</u>	
2013	VILLAGE HAT SHOP	Cole Information Services	
2008	ADVANTAGE RENT A CAR	Cole Information Services	
	COAST LEASING CORP	Cole Information Services	
2006	ADVANTAGE RENT	Haines Company, Inc.	
	A CAR UNITD PLUMBING	Haines Company, Inc.	
	SYSTEMS INC	Haines Company, Inc.	
2000	PRODUCTIONS	Haines & Company	Image pg. A5
	STERLING	Haines & Company	Image pg. A5
	SCANTEC	Haines & Company	Image pg. A5
	ASSOCIATESTLNT	Haines & Company	Image pg. A5
	BRADYAND	Haines & Company	Image pg. A5
1989	Weisser Sporting Goods	Pacific Bell	

FINDINGS

<u>Year</u>	<u>Uses</u>	<u>Source</u>	
1989	San Diego Indoor Range	Pacific Bell	
	NutraJuice For You	Pacific Bell	
	Fitness West II	Pacific Bell	
	Courtsports Of San Diego	Pacific Bell	
	Courtsports	Pacific Bell	
1984	Courtsports raquet ball courts	R. L. Polk & Co.	Image pg. A13
1980	massage parlor	R. L. Polk & Co.	Image pg. A22
	Courtsports raquet ball courts	R. L. Polk & Co.	Image pg. A22
	Lohdefinck F J Massage Therapy	R. L. Polk & Co.	Image pg. A22

3460 INDIA ST

<u>Year</u>	<u>Uses</u>	<u>Source</u>	
1948	d Peck F B	San Diego Directory Co.	Image pg. A69
	b Mc Farlane Rosie Mrs	San Diego Directory Co.	Image pg. A68
	a Castellanos Louis	San Diego Directory Co.	Image pg. A68
	Vacant	San Diego Directory Co.	Image pg. A68
1943	a Buys N F	San Diego Directory Co.	Image pg. A79
	b Fletcher W D	San Diego Directory Co.	Image pg. A79
	c Cramer Nita Mrs	San Diego Directory Co.	Image pg. A79
	d Mc Donald Mack	San Diego Directory Co.	Image pg. A79
1938	c Boyajin Paul	San Diego Directory Co.	Image pg. A88
	b Hagen Wilbur	San Diego Directory Co.	Image pg. A88
	a Bradley A M	San Diego Directory Co.	Image pg. A88
	d Holden G F	San Diego Directory Co.	Image pg. A88

3462 INDIA ST

<u>Year</u>	<u>Uses</u>	<u>Source</u>	
1948	1/2 Barnes J W	San Diego Directory Co.	Image pg. A69
	Schade V H	San Diego Directory Co.	Image pg. A69
1943	1/2 Simpson T J Mrs	San Diego Directory Co.	Image pg. A79
	Wildaw H	San Diego Directory Co.	Image pg. A79
	Schade Virgil	San Diego Directory Co.	Image pg. A79
1938	1/2 Riley J I I	San Diego Directory Co.	Image pg. A88
	Loven R E	San Diego Directory Co.	Image pg. A88
1933	1/2 Garnett Geo	San Diego Directory Co.	Image pg. A97
	Dingeman F J phys	San Diego Directory Co.	Image pg. A97

FINDINGS

3464 INDIA ST

<u>Year</u>	<u>Uses</u>	<u>Source</u>	
1948	Green L W	San Diego Directory Co.	Image pg. A69
1943	Vacant	San Diego Directory Co.	Image pg. A79
1938	Boyer Ernest	San Diego Directory Co.	Image pg. A88
1933	Clarke W E	San Diego Directory Co.	Image pg. A97

3466 INDIA ST

<u>Year</u>	<u>Uses</u>	<u>Source</u>	
1948	Brown L W jr	San Diego Directory Co.	Image pg. A69
	Kukor Chas	San Diego Directory Co.	Image pg. A69
	El Francisco Apartments	San Diego Directory Co.	Image pg. A69
	Pharis L H	San Diego Directory Co.	Image pg. A69
1943	El Francisco Apartments	San Diego Directory Co.	Image pg. A79
	ADingeman F J jr	San Diego Directory Co.	Image pg. A79
1938	ADingeman F J jr phys	San Diego Directory Co.	Image pg. A88
1933	El Francisco Apartments	San Diego Directory Co.	Image pg. A97
	Dingeman F J o	San Diego Directory Co.	Image pg. A97

3468 INDIA ST

<u>Year</u>	<u>Uses</u>	<u>Source</u>	
1961	El Francisco Apartments	R. L. Polk & Co.	Image pg. A50
	A Berg Wm	R. L. Polk & Co.	Image pg. A50
	B Leitner Elmer	R. L. Polk & Co.	Image pg. A50
	C Garcia Earasmo	R. L. Polk & Co.	Image pg. A50
	D Haney Alice Mrs	R. L. Polk & Co.	Image pg. A50
	E Spencer Paul	R. L. Polk & Co.	Image pg. A50
	F Siller Guillermo H	R. L. Polk & Co.	Image pg. A50
	H Gutierrez Louis	R. L. Polk & Co.	Image pg. A50
	Vacant	R. L. Polk & Co.	Image pg. A50
	Boon Eug	R. L. Polk & Co.	Image pg. A50
	Whitt Geo	R. L. Polk & Co.	Image pg. A50
	Horn Geo	R. L. Polk & Co.	Image pg. A50
	G Piez Robt	R. L. Polk & Co.	Image pg. A50
	1952	Thomas Don	R. L. Polk & Co. of California
Stafford Roy		R. L. Polk & Co. of California	Image pg. A59
Schluter D H		R. L. Polk & Co. of California	Image pg. A59
Paratt Jack		R. L. Polk & Co. of California	Image pg. A59
Narvet Jos jr		R. L. Polk & Co. of California	Image pg. A59
	Monroe E D	R. L. Polk & Co. of California	Image pg. A59

FINDINGS

<u>Year</u>	<u>Uses</u>	<u>Source</u>	
1952	Minard G L jr	R. L. Polk & Co. of California	Image pg. A59
	Jones C D	R. L. Polk & Co. of California	Image pg. A59
	Johnson Emmett	R. L. Polk & Co. of California	Image pg. A59
	Dunn T E	R. L. Polk & Co. of California	Image pg. A59
	Bullin G P	R. L. Polk & Co. of California	Image pg. A59
	El Francisco Apts	R. L. Polk & Co. of California	Image pg. A59
1948	Johnson A W	San Diego Directory Co.	Image pg. A69
1943	Torres A S	San Diego Directory Co.	Image pg. A79
1938	Allen R J	San Diego Directory Co.	Image pg. A88
1933	Lemon H F	San Diego Directory Co.	Image pg. A97
	Reissman J E	San Diego Directory Co.	Image pg. A97

3472 INDIA ST

<u>Year</u>	<u>Uses</u>	<u>Source</u>	
1948	1/2 Pemberton L W	San Diego Directory Co.	Image pg. A69
	Grindstaff A A	San Diego Directory Co.	Image pg. A69
1943	Vacant	San Diego Directory Co.	Image pg. A79
1938	Griswold W J	San Diego Directory Co.	Image pg. A88
	1/2 Hislop E F	San Diego Directory Co.	Image pg. A88
1933	Reissman J E restr	San Diego Directory Co.	Image pg. A97

3503 INDIA ST

<u>Year</u>	<u>Uses</u>	<u>Source</u>	
2006	No Current Listing	Haines Company, Inc.	
2000	No Current Listing	Haines & Company	Image pg. A5
1984	Alonso E	R. L. Polk & Co.	Image pg. A13
1980	Welch I Mae	R. L. Polk & Co.	Image pg. A22
1975	No Return	R. L. Polk & Co.	Image pg. A30
1970	WELCH WALTER E	John M. Ducey	
1966	WELCH WALTER E	R. L. Polk & Co.	Image pg. A41
1961	Welch Walter E	R. L. Polk & Co.	Image pg. A50
1952	Welch W E	R. L. Polk & Co. of California	Image pg. A59
1948	Welch W E	San Diego Directory Co.	Image pg. A69
1943	Welsh Walter	San Diego Directory Co.	Image pg. A79

3505 INDIA ST

<u>Year</u>	<u>Uses</u>	<u>Source</u>	
2008	JOHN HAMERSMA	Cole Information Services	
2006	No Current Listing	Haines Company, Inc.	

FINDINGS

<u>Year</u>	<u>Uses</u>	<u>Source</u>	
2000	No Current Listing	Haines & Company	Image pg. A5
1989	Link Jon & Mary	Pacific Bell	
1984	Vacant	R. L. Polk & Co.	Image pg. A13
1980	Vacant	R. L. Polk & Co.	Image pg. A22
1975	Ordonez Elira	R. L. Polk & Co.	Image pg. A30
1970	JACKSON HARRY G REAL EST	John M. Ducey	
1966	JACKSON HARRY G REAL EST	R. L. Polk & Co.	Image pg. A41
1961	Bell Lynn E	R. L. Polk & Co.	Image pg. A50
1952	Currier T H	R. L. Polk & Co. of California	Image pg. A59
1948	Currier J H	San Diego Directory Co.	Image pg. A69
1943	AJamieson D M	San Diego Directory Co.	Image pg. A79

3507 INDIA ST

<u>Year</u>	<u>Uses</u>	<u>Source</u>	
2006	No Current Listing	Haines Company, Inc.	
2000	PRODUCTIONS	Haines & Company	Image pg. A5
	No Current Listing	Haines & Company	Image pg. A5
1984	Stevens Sonia	R. L. Polk & Co.	Image pg. A13
1980	Stevens Sonia	R. L. Polk & Co.	Image pg. A22
1975	Boiselle Helen C Mrs	R. L. Polk & Co.	Image pg. A30
1970	KAISER HEDY MRS	John M. Ducey	
1966	POUND PAUL F	R. L. Polk & Co.	Image pg. A41
1961	Pound Paul F	R. L. Polk & Co.	Image pg. A50
1952	Prall H L	R. L. Polk & Co. of California	Image pg. A59
1948	Houghtaling L R	San Diego Directory Co.	Image pg. A69
1943	Hart A E	San Diego Directory Co.	Image pg. A79

3509 INDIA ST

<u>Year</u>	<u>Uses</u>	<u>Source</u>	
2006	No Current Listing	Haines Company, Inc.	
2000	KRi EGEL Matthew H	Haines & Company	Image pg. A5
1989	Boyles H	Pacific Bell	
1984	Esquer Duarte Antonio	R. L. Polk & Co.	Image pg. A13
1980	Esquer Duarte Antonio	R. L. Polk & Co.	Image pg. A22
1975	Astor Dave	R. L. Polk & Co.	Image pg. A30
1970	STEVENS WALTER E	John M. Ducey	
1966	VACANT	R. L. Polk & Co.	Image pg. A41
1961	Stevens Mary Mrs	R. L. Polk & Co.	Image pg. A50
1952	Stevens W E	R. L. Polk & Co. of California	Image pg. A59

FINDINGS

<u>Year</u>	<u>Uses</u>	<u>Source</u>	
1948	James M M Mrs	San Diego Directory Co.	Image pg. A69
1943	Radecke G R	San Diego Directory Co.	Image pg. A79

3511 INDIA ST

<u>Year</u>	<u>Uses</u>	<u>Source</u>	
2013	AMERICAN LEGAL SUPPORT SERVICES INC	Cole Information Services	
2008	AMERICAN LEGAL SUPPORT SERVICES INC	Cole Information Services	
	AGM INDUSTRIES	Cole Information Services	
2006	SUPPORT SERVINC	Haines Company, Inc.	
	AMER LEGAL	Haines Company, Inc.	
2000	SO CALIF ATTY SRV	Haines & Company	Image pg. A5
	SUPPORT	Haines & Company	Image pg. A5
	A M E R I C A N LEGAL	Haines & Company	Image pg. A5
1989	Southern California Attorney Service	Pacific Bell	
	Messenger Express	Pacific Bell	
1984	Vacant	R. L. Polk & Co.	Image pg. A13
1980	Vacant	R. L. Polk & Co.	Image pg. A22
1975	Paragon Design Co graphic arts	R. L. Polk & Co.	Image pg. A30
1970	TIFFANY INTERIORS	John M. Ducey	
1966	VACANT	R. L. Polk & Co.	Image pg. A41
1961	Royal Typewriter Co	R. L. Polk & Co.	Image pg. A50

3512 INDIA ST

<u>Year</u>	<u>Uses</u>	<u>Source</u>	
1961	Mason Christina G Mrs	R. L. Polk & Co.	Image pg. A50
1952	Andrews T N	R. L. Polk & Co. of California	Image pg. A59
1948	Andrews T N	San Diego Directory Co.	Image pg. A69
1943	ADougherty P D	San Diego Directory Co.	Image pg. A79
1938	Dougherty Patk	San Diego Directory Co.	Image pg. A88
1933	Dougherty P D	San Diego Directory Co.	Image pg. A97

3514 INDIA ST

<u>Year</u>	<u>Uses</u>	<u>Source</u>	
1961	Vacant	R. L. Polk & Co.	Image pg. A50
1952	Fancher Roy	R. L. Polk & Co. of California	Image pg. A59
1948	Leonard E G	San Diego Directory Co.	Image pg. A69
1943	Barnes S W	San Diego Directory Co.	Image pg. A79
1933	Barham E G	San Diego Directory Co.	Image pg. A97

FINDINGS

3519 INDIA ST

<u>Year</u>	<u>Uses</u>	<u>Source</u>	
2000	No Current Listing	Haines & Company	Image pg. A5
1984	1/2 Vacant	R. L. Polk & Co.	Image pg. A13
	Marks Robt	R. L. Polk & Co.	Image pg. A13
1980	N ABissell Olivia	R. L. Polk & Co.	Image pg. A22
	N Marks Robt	R. L. Polk & Co.	Image pg. A22
1975	Ferris Basil W	R. L. Polk & Co.	Image pg. A30
	Astor I M Mrs	R. L. Polk & Co.	Image pg. A30
1970	LANGSTON BETTY A	John M. Ducey	
	BPADY HAZEL R MRS	John M. Ducey	
1966	BRADY HAZEL R MRS	R. L. Polk & Co.	Image pg. A41
	VACANT	R. L. Polk & Co.	Image pg. A41
1961	Brady Hazel R Mrs	R. L. Polk & Co.	Image pg. A50
	1/2 Bozaian Berj	R. L. Polk & Co.	Image pg. A50
1952	Lamoreaux P W	R. L. Polk & Co. of California	Image pg. A59
1948	Lamoreaux P W	San Diego Directory Co.	Image pg. A69
1943	ALamoreaux P W	San Diego Directory Co.	Image pg. A79
1938	ALamoreaux P W	San Diego Directory Co.	Image pg. A88
1933	Lamoreaux P W o	San Diego Directory Co.	Image pg. A97
1927	Dickermnafl Beatrice B	San Diego Directory Co.	Image pg. A106

3521 INDIA ST

<u>Year</u>	<u>Uses</u>	<u>Source</u>	
2000	No Current Listing	Haines & Company	Image pg. A5
1984	Stromwall Grace	R. L. Polk & Co.	Image pg. A13
1980	N Stromwall Grace	R. L. Polk & Co.	Image pg. A22
1975	Jirmenez Georina	R. L. Polk & Co.	Image pg. A30
1970	VACANT	John M. Ducey	
1966	CATLEDGE HARVEY M	R. L. Polk & Co.	Image pg. A41
1961	Catledge Harvey M	R. L. Polk & Co.	Image pg. A50

3523 INDIA ST

<u>Year</u>	<u>Uses</u>	<u>Source</u>	
2000	No Current Listing	Haines & Company	Image pg. A5
1984	Mc Swain & Associates real est sls	R. L. Polk & Co.	Image pg. A13
1980	Me Swain & Associates real est sis	R. L. Polk & Co.	Image pg. A22
1975	Stevens Sonia	R. L. Polk & Co.	Image pg. A30
1970	COLLIER CHAS	John M. Ducey	
1966	VACANT	R. L. Polk & Co.	Image pg. A41

FINDINGS

<u>Year</u>	<u>Uses</u>	<u>Source</u>	
1961	Vacant	R. L. Polk & Co.	Image pg. A50

3525 INDIA ST

<u>Year</u>	<u>Uses</u>	<u>Source</u>	
1966	WILLIAMS MARY S	R. L. Polk & Co.	Image pg. A41
1961	Nunn Ralph	R. L. Polk & Co.	Image pg. A50
1952	Wilcox Florence Mrs	R. L. Polk & Co. of California	Image pg. A59
1948	Wilcox F A Mrs	San Diego Directory Co.	Image pg. A69
1943	Darby R T	San Diego Directory Co.	Image pg. A79

3526 INDIA ST

<u>Year</u>	<u>Uses</u>	<u>Source</u>	
1961	Apartments	R. L. Polk & Co.	Image pg. A50
	Vacant	R. L. Polk & Co.	Image pg. A50
	Billick Mary E	R. L. Polk & Co.	Image pg. A50
	Hayden Lawrence J	R. L. Polk & Co.	Image pg. A50
	Palmer Florence Mrs	R. L. Polk & Co.	Image pg. A50
	Vacant	R. L. Polk & Co.	Image pg. A50
	Vacant	R. L. Polk & Co.	Image pg. A50
	Street continued	R. L. Polk & Co.	Image pg. A50
1952	Billick Mary E	R. L. Polk & Co. of California	Image pg. A59
	Brown W E	R. L. Polk & Co. of California	Image pg. A59
	Iddings W E jr	R. L. Polk & Co. of California	Image pg. A59
	Oberto Dominick	R. L. Polk & Co. of California	Image pg. A59
	Scott J M	R. L. Polk & Co. of California	Image pg. A59
	Snodgrass R L	R. L. Polk & Co. of California	Image pg. A59

3527 INDIA ST

<u>Year</u>	<u>Uses</u>	<u>Source</u>	
1966	FISHER ROBT T	R. L. Polk & Co.	Image pg. A41
1961	Brandenburg Dudley	R. L. Polk & Co.	Image pg. A50
1952	Wright Marvin	R. L. Polk & Co. of California	Image pg. A59
1948	Reehl W W	San Diego Directory Co.	Image pg. A69
1943	Reehl W W	San Diego Directory Co.	Image pg. A79

3529 INDIA ST

<u>Year</u>	<u>Uses</u>	<u>Source</u>	
1966	CLIFFORD WM E	R. L. Polk & Co.	Image pg. A41
1961	Clifford Wm E	R. L. Polk & Co.	Image pg. A50
1952	Jamieson D N	R. L. Polk & Co. of California	Image pg. A59

FINDINGS

<u>Year</u>	<u>Uses</u>	<u>Source</u>	
1948	Jamieson D N	San Diego Directory Co.	Image pg. A69
1943	AWilcox R J	San Diego Directory Co.	Image pg. A79
1938	AWilcox R J	San Diego Directory Co.	Image pg. A88

3533 INDIA ST

<u>Year</u>	<u>Uses</u>	<u>Source</u>	
1966	VACANT	R. L. Polk & Co.	Image pg. A41
1961	No Return	R. L. Polk & Co.	Image pg. A50

3535 INDIA ST

<u>Year</u>	<u>Uses</u>	<u>Source</u>	
2013	ROUTE 66	Cole Information Services	
2000	CHEVRON STATIONS	Haines & Company	Image pg. A5
	INDIACHEVRON	Haines & Company	Image pg. A5
1989	Keyser Larry Chevron	Pacific Bell	
1984	Keyser Chevron Service	R. L. Polk & Co.	Image pg. A13
1980	Guymon Mel Chevron Service	R. L. Polk & Co.	Image pg. A22
1975	Guymon Mel Chevron Service	R. L. Polk & Co.	Image pg. A30
1970	CHEVRON SERVICE STATION	John M. Ducey	
1966	REAGEN ANTHONY F	R. L. Polk & Co.	Image pg. A41
1961	Guyanen John J	R. L. Polk & Co.	Image pg. A50

3536 INDIA ST

<u>Year</u>	<u>Uses</u>	<u>Source</u>	
1961	Vacant	R. L. Polk & Co.	Image pg. A50
1952	Elkins J R	R. L. Polk & Co. of California	Image pg. A59
1948	Thaler Martin	San Diego Directory Co.	Image pg. A69
1943	ALasater J A	San Diego Directory Co.	Image pg. A79
1938	Englehart J R	San Diego Directory Co.	Image pg. A88

3537 INDIA ST

<u>Year</u>	<u>Uses</u>	<u>Source</u>	
1966	VACANT	R. L. Polk & Co.	Image pg. A41
	BARTON FRANK JR	R. L. Polk & Co.	Image pg. A41
	MAYNARD LAURA A	R. L. Polk & Co.	Image pg. A41
	GASTELUM EVA MRS	R. L. Polk & Co.	Image pg. A41
1961	b Smith Ron	R. L. Polk & Co.	Image pg. A50
	a Vacant	R. L. Polk & Co.	Image pg. A50
	Vacant	R. L. Polk & Co.	Image pg. A50
	d Livingston Geo	R. L. Polk & Co.	Image pg. A50

FINDINGS

<u>Year</u>	<u>Uses</u>	<u>Source</u>	
1961	c Christianson B	R. L. Polk & Co.	Image pg. A50
1952	Perone R N	R. L. Polk & Co. of California	Image pg. A59
	Osmundson G J	R. L. Polk & Co. of California	Image pg. A59
1948	Hess L A	San Diego Directory Co.	Image pg. A69
1943	ALacey D S	San Diego Directory Co.	Image pg. A79
1938	ALacey D S trusses	San Diego Directory Co.	Image pg. A88
1933	Lacey D S trusses o	San Diego Directory Co.	Image pg. A97
1927	Lacey D S drugs	San Diego Directory Co.	Image pg. A106

3538 INDIA ST

<u>Year</u>	<u>Uses</u>	<u>Source</u>	
1961	Vacant	R. L. Polk & Co.	Image pg. A50
1952	Myers Jack	R. L. Polk & Co. of California	Image pg. A59
1948	De Shon Gilbert	San Diego Directory Co.	Image pg. A69
1943	ABender C R	San Diego Directory Co.	Image pg. A79
1938	Shumate June Mrs	San Diego Directory Co.	Image pg. A88
	Maxwell E A	San Diego Directory Co.	Image pg. A88

3540 INDIA ST

<u>Year</u>	<u>Uses</u>	<u>Source</u>	
1961	Brown Joel E	R. L. Polk & Co.	Image pg. A50
1952	Holt R W	R. L. Polk & Co. of California	Image pg. A59
1948	Holt R W	San Diego Directory Co.	Image pg. A69
1943	Burkard G W	San Diego Directory Co.	Image pg. A79
1938	ACampbell J 4	San Diego Directory Co.	Image pg. A88

3541 INDIA ST

<u>Year</u>	<u>Uses</u>	<u>Source</u>	
1966	WONDERGEM GILLIS	R. L. Polk & Co.	Image pg. A41
1961	Serafin Richd W	R. L. Polk & Co.	Image pg. A50
1952	Jones Jean L	R. L. Polk & Co. of California	Image pg. A59
1948	Sinnott M R	San Diego Directory Co.	Image pg. A69
1943	Devers B C	San Diego Directory Co.	Image pg. A79
1938	Madero Antoinette Mrs	San Diego Directory Co.	Image pg. A88

3543 INDIA ST

<u>Year</u>	<u>Uses</u>	<u>Source</u>	
1966	CUNNINGHAM JOHN E	R. L. Polk & Co.	Image pg. A41
1961	Groves John	R. L. Polk & Co.	Image pg. A50

FINDINGS

3544 INDIA ST

<u>Year</u>	<u>Uses</u>	<u>Source</u>	
1961	Vacant	R. L. Polk & Co.	Image pg. A50
1952	Brayfield G E	R. L. Polk & Co. of California	Image pg. A59
1948	Rodgers R R	San Diego Directory Co.	Image pg. A69
1943	ARogers R R	San Diego Directory Co.	Image pg. A79

3545 INDIA ST

<u>Year</u>	<u>Uses</u>	<u>Source</u>	
1966	MYSIOR ILANA	R. L. Polk & Co.	Image pg. A41
1961	Cook Kenneth L	R. L. Polk & Co.	Image pg. A50
1952	Derbes E J	R. L. Polk & Co. of California	Image pg. A59
1948	Funk J J	San Diego Directory Co.	Image pg. A69
1943	Funk J J	San Diego Directory Co.	Image pg. A79

3546 INDIA ST

<u>Year</u>	<u>Uses</u>	<u>Source</u>	
1961	Vacant	R. L. Polk & Co.	Image pg. A50
1952	Walton C H	R. L. Polk & Co. of California	Image pg. A59
1943	Siddall M S Mrs	San Diego Directory Co.	Image pg. A79

3547 INDIA ST

<u>Year</u>	<u>Uses</u>	<u>Source</u>	
1966	VACANT	R. L. Polk & Co.	Image pg. A41
	VACANT	R. L. Polk & Co.	Image pg. A41
1961	Vacant	R. L. Polk & Co.	Image pg. A50
	1/4 Vacant	R. L. Polk & Co.	Image pg. A50
	1/2 Byrd John R	R. L. Polk & Co.	Image pg. A50
1952	Fuller F R	R. L. Polk & Co. of California	Image pg. A59
	1/2 Leach K C	R. L. Polk & Co. of California	Image pg. A59
1948	1/2 Underwood W D	San Diego Directory Co.	Image pg. A69
	Vacant	San Diego Directory Co.	Image pg. A69
1943	ABorey A A	San Diego Directory Co.	Image pg. A79
	1/2 Gable J G	San Diego Directory Co.	Image pg. A79

3549 INDIA ST

<u>Year</u>	<u>Uses</u>	<u>Source</u>	
1966	VACANT	R. L. Polk & Co.	Image pg. A41
1961	Stephenson Thos	R. L. Polk & Co.	Image pg. A50
1952	Edwards Willis	R. L. Polk & Co. of California	Image pg. A59
1948	Mc Donald Hugh jr	San Diego Directory Co.	Image pg. A69

FINDINGS

<u>Year</u>	<u>Uses</u>	<u>Source</u>	
1943	AClaassen W J	San Diego Directory Co.	Image pg. A79
1938	AMc Intosh Christine Mlrs	San Diego Directory Co.	Image pg. A88

3555 INDIA ST

<u>Year</u>	<u>Uses</u>	<u>Source</u>	
2013	FRANKS BAKERY & GIBALDIS ITALIAN B	Cole Information Services	
	MEALS ON WHEELS	Cole Information Services	
2008	FRANKS BAKERY & GIBALDIS ITALIAN BRE	Cole Information Services	
2006	GIBALDIS BREAD MEALS ON WHEELS	Haines Company, Inc.	
	FRANKS BAKERY&	Haines Company, Inc.	
2000	PAPER PLUS	Haines & Company	Image pg. A5
	FRANKS BAKERY	Haines & Company	Image pg. A5
1989	Amfac Drug Supply	Pacific Bell	
1985	AMFAC DRUG SUPPLY	PACIFIC BELL WHITE PAGES	
1984	Amfac Drug Supply	R. L. Polk & Co.	Image pg. A13
1980	Amfac Drug Supply whol	R. L. Polk & Co.	Image pg. A22
1975	Amfac Drug Supply whol	R. L. Polk & Co.	Image pg. A30
1970	PHARMACEUTICAL SUP	John M. Ducey	
	PHARMA MED CO INC	John M. Ducey	
1966	PHARMACEUTICAL SUP	R. L. Polk & Co.	Image pg. A41
	PHARMA MED CO INC	R. L. Polk & Co.	Image pg. A41
1961	Pharma Med Co Inc	R. L. Polk & Co.	Image pg. A50

3573 INDIA ST

<u>Year</u>	<u>Uses</u>	<u>Source</u>	
1948	Smith J H	San Diego Directory Co.	Image pg. A69

3585 INDIA ST

<u>Year</u>	<u>Uses</u>	<u>Source</u>	
2013	CONVOY MOTORS LLC	Cole Information Services	
2008	RENTY	Cole Information Services	
2000	No Current Listing	Haines & Company	Image pg. A5
1984	Tonys Union Seventy Six	R. L. Polk & Co.	Image pg. A13
1980	Vacant	R. L. Polk & Co.	Image pg. A22
	N N N	R. L. Polk & Co.	Image pg. A22
1975	Bobs Union Service	R. L. Polk & Co.	Image pg. A30
	rentals	R. L. Polk & Co.	Image pg. A30
	A A 1 Easy Rent A Cer auto	R. L. Polk & Co.	Image pg. A30

FINDINGS

<u>Year</u>	<u>Uses</u>	<u>Source</u>
1970	RENZULLI UNION SERVICE	John M. Ducey

3601 INDIA ST

<u>Year</u>	<u>Uses</u>	<u>Source</u>	
1970	SPECIALTIES CO	John M. Ducey	
	BETTER BUILT TRANSMISSION	John M. Ducey	
1966	BETTER BUILT TRANSMISSION SPECIALTIES CO	R. L. Polk & Co.	Image pg. A41

3612 INDIA ST

<u>Year</u>	<u>Uses</u>	<u>Source</u>	
1948	1/2 Powell R C	San Diego Directory Co.	Image pg. A69

3615 INDIA ST

<u>Year</u>	<u>Uses</u>	<u>Source</u>	
2013	TIM MANTOANI PHOTOGRAPHY	Cole Information Services	
2008	MARSHALL WILLIAMS PHOTOGRAPHY	Cole Information Services	
2006	MARSHALL WILLIAMS PHOTOGRAPHY M MANTOANI PHOTOGRAPHY	Haines Company, Inc. Haines Company, Inc. Haines Company, Inc. Haines Company, Inc. Haines Company, Inc.	
2000	MARSHALLWILLIAMS PHOTOGRAPHY QUANTUM DIGITAL DIGITALIMAGING TIMMANTOANI PHOTOGRAPHY	Haines & Company Haines & Company Haines & Company Haines & Company Haines & Company Haines & Company	Image pg. A5 Image pg. A5 Image pg. A5 Image pg. A5 Image pg. A5 Image pg. A5
1989	SHOUPE & CELESTE	Pacific Bell	
1984	James Automotive Service	R. L. Polk & Co.	Image pg. A13
1980	James Automotive Service	R. L. Polk & Co.	Image pg. A22
1975	T & E Tool & Equipment sla & repr	R. L. Polk & Co.	Image pg. A30

3616 INDIA ST

<u>Year</u>	<u>Uses</u>	<u>Source</u>	
1961	Green Albert F	R. L. Polk & Co.	Image pg. A50
1952	Green A F	R. L. Polk & Co. of California	Image pg. A59
1943	Tarver J E	San Diego Directory Co.	Image pg. A79
1938	Tarver Jules	San Diego Directory Co.	Image pg. A88
1933	Tarver J E o	San Diego Directory Co.	Image pg. A97

FINDINGS

<u>Year</u>	<u>Uses</u>	<u>Source</u>	
1927	Tarver Jules	San Diego Directory Co.	Image pg. A106

3617 INDIA ST

<u>Year</u>	<u>Uses</u>	<u>Source</u>	
2013	G P MOTORCYCLES	Cole Information Services	
	GIANT PHOTO SERVICE	Cole Information Services	
2008	GIANT PHOTO SERVICE	Cole Information Services	
	RENT A VETTE EXOTIC CAR RENTALS	Cole Information Services	
	PAGANO & TYLER ENTERPRISES	Cole Information Services	
	VETTES INC	Cole Information Services	
2006	GIANT PHOTO	Haines Company, Inc.	
	SERVICE RENT A VETTE	Haines Company, Inc.	
2000	BIGPICTURETHE	Haines & Company	Image pg. A5
1989	Exoticar	Pacific Bell	
1984	A T S Automatic Transmission Service	R. L. Polk & Co.	Image pg. A13
1980	Service	R. L. Polk & Co.	Image pg. A22
	A T S Automatic Transmission	R. L. Polk & Co.	Image pg. A22
1975	Automatic Transmission Service	R. L. Polk & Co.	Image pg. A30
	Independent Garage Owners Of San	R. L. Polk & Co.	Image pg. A30
	Diego County business orgn	R. L. Polk & Co.	Image pg. A30
1970	AUTOMATIC TRANSMISSION SERVICE	John M. Ducey	
1966	AUTOMATIC TRANSMISSION SERVICE	R. L. Polk & Co.	Image pg. A41
1961	Automatic Transmission Serv auto repr	R. L. Polk & Co.	Image pg. A50

3619 INDIA ST

<u>Year</u>	<u>Uses</u>	<u>Source</u>	
1948	Bryson R W	San Diego Directory Co.	Image pg. A69

3620 INDIA ST

<u>Year</u>	<u>Uses</u>	<u>Source</u>	
1952	Mc Clelland R H	R. L. Polk & Co. of California	Image pg. A59
	Brindle Clarence	R. L. Polk & Co. of California	Image pg. A59
1948	Woodhouse R L	San Diego Directory Co.	Image pg. A69
1943	Tanner Harry	San Diego Directory Co.	Image pg. A79
	Kelley K L Mrs	San Diego Directory Co.	Image pg. A79
	Blaisdell L R	San Diego Directory Co.	Image pg. A79
1938	APage S M Mrs curios	San Diego Directory Co.	Image pg. A88
1933	Page S M & Son curios	San Diego Directory Co.	Image pg. A97
	Page S M Mrs	San Diego Directory Co.	Image pg. A97

FINDINGS

<u>Year</u>	<u>Uses</u>	<u>Source</u>	
1927	Mitchel S M Mrs gro	San Diego Directory Co.	Image pg. A106

3621 INDIA ST

<u>Year</u>	<u>Uses</u>	<u>Source</u>	
2006	ENGINEERING	Haines Company, Inc.	
	RAOZGENERAL	Haines Company, Inc.	
2000	ENGINEERING	Haines & Company	Image pg. A5
	RAOZGENERAL	Haines & Company	Image pg. A5
1989	Warnke Wm F	Pacific Bell	
	Electronic Technical Services Of San Diego	Pacific Bell	
1952	Cunningham J O Mrs	R. L. Polk & Co. of California	Image pg. A59

3623 INDIA ST

<u>Year</u>	<u>Uses</u>	<u>Source</u>	
2006	ROUTE	Haines Company, Inc.	
2000	HOOKS&LATTICE	Haines & Company	Image pg. A5
1989	India Ink	Pacific Bell	
1984	Martin George M Photography	R. L. Polk & Co.	Image pg. A13
	S & M Printing & Graphics coml prntr	R. L. Polk & Co.	Image pg. A13
1980	Martin George M Photography	R. L. Polk & Co.	Image pg. A22
	prntr	R. L. Polk & Co.	Image pg. A22
	S & M Printing & Graphics coml	R. L. Polk & Co.	Image pg. A22
1975	Vacant	R. L. Polk & Co.	Image pg. A30
1970	AUTOMATIC TRANSMISSION MACHINE & SUPPLY	John M. Ducey	
		John M. Ducey	
1966	AUTOMATIC TRANSMISSION MACHINE 6 SUPPLY	R. L. Polk & Co.	Image pg. A41
1961	Automatic Transmission Mach & Sup	R. L. Polk & Co.	Image pg. A50

3625 INDIA ST

<u>Year</u>	<u>Uses</u>	<u>Source</u>	
1948	Miramontes L A	San Diego Directory Co.	Image pg. A69
	Oakley T G	San Diego Directory Co.	Image pg. A69
	Turnbull W O	San Diego Directory Co.	Image pg. A69

3630 INDIA ST

<u>Year</u>	<u>Uses</u>	<u>Source</u>	
1961	Apartments	R. L. Polk & Co.	Image pg. A50
	A Gubben Wm A	R. L. Polk & Co.	Image pg. A50
	B Vacant	R. L. Polk & Co.	Image pg. A50

FINDINGS

<u>Year</u>	<u>Uses</u>	<u>Source</u>	
1961	C Vacant	R. L. Polk & Co.	Image pg. A50
	D Vacant	R. L. Polk & Co.	Image pg. A50
1952	Walton Ernest	R. L. Polk & Co. of California	Image pg. A59

3633 INDIA ST

<u>Year</u>	<u>Uses</u>	<u>Source</u>	
1966	VACANT	R. L. Polk & Co.	Image pg. A41
	VACANT	R. L. Polk & Co.	Image pg. A41
	GRIFFITH GRACE P MRS	R. L. Polk & Co.	Image pg. A41
	VACANT	R. L. Polk & Co.	Image pg. A41
	RHODES MITCHELL L	R. L. Polk & Co.	Image pg. A41
	PERRY ALF M	R. L. Polk & Co.	Image pg. A41
	APARTMENTS	R. L. Polk & Co.	Image pg. A41
1961	Apartments	R. L. Polk & Co.	Image pg. A50
	Perry Allen	R. L. Polk & Co.	Image pg. A50
	Vacant	R. L. Polk & Co.	Image pg. A50
	Griffith Grace Mrs	R. L. Polk & Co.	Image pg. A50
	Vacant	R. L. Polk & Co.	Image pg. A50
	Vacant	R. L. Polk & Co.	Image pg. A50
	Daves Chester A	R. L. Polk & Co.	Image pg. A50
	Street continued	R. L. Polk & Co.	Image pg. A50
1952	Atlas Transfer & Stge Co	R. L. Polk & Co. of California	Image pg. A59
	Stipp R R	R. L. Polk & Co. of California	Image pg. A59
1948	Atlas Trans & Stg Co	San Diego Directory Co.	Image pg. A69

INDIA/GLENWOOD DR

INDIA/GLENWOOD DR

<u>Year</u>	<u>Uses</u>	<u>Source</u>	
1984	INDIA/GLENWOOD DR	R. L. Polk & Co.	Image pg. A13
1980	INDIA/GLENWOOD DR	R. L. Polk & Co.	Image pg. A22
1952	INDIA/GLENWOOD DR	R. L. Polk & Co. of California	Image pg. A59
1948	INDIA/GLENWOOD DR	San Diego Directory Co.	Image pg. A69
1943	INDIA/GLENWOOD DR	San Diego Directory Co.	Image pg. A79
1938	INDIA/GLENWOOD DR	San Diego Directory Co.	Image pg. A88
1933	INDIA/GLENWOOD DR	San Diego Directory Co.	Image pg. A97

FINDINGS

INDIA/UPAS

INDIA/UPAS

<u>Year</u>	<u>Uses</u>	<u>Source</u>	
1961	INDIA/UPAS	R. L. Polk & Co.	Image pg. A50
1952	INDIA/UPAS	R. L. Polk & Co. of California	Image pg. A59
1948	INDIA/UPAS	San Diego Directory Co.	Image pg. A69
1943	INDIA/UPAS	San Diego Directory Co.	Image pg. A79
1938	INDIA/UPAS	San Diego Directory Co.	Image pg. A88
1933	INDIA/UPAS	San Diego Directory Co.	Image pg. A97

INDIA/UPAS ST

INDIA/UPAS ST

<u>Year</u>	<u>Uses</u>	<u>Source</u>	
1984	INDIA/UPAS ST	R. L. Polk & Co.	Image pg. A13
1980	INDIA/UPAS ST	R. L. Polk & Co.	Image pg. A22
1975	INDIA/UPAS ST	R. L. Polk & Co.	Image pg. A30
1970	INDIA/UPAS ST	John M. Ducey	
1966	INDIA/UPAS ST	R. L. Polk & Co.	Image pg. A41

INDIA/VINE

INDIA/VINE

<u>Year</u>	<u>Uses</u>	<u>Source</u>	
1961	INDIA/VINE	R. L. Polk & Co.	Image pg. A50
1952	INDIA/VINE	R. L. Polk & Co. of California	Image pg. A59
1948	INDIA/VINE	San Diego Directory Co.	Image pg. A69
1943	INDIA/VINE	San Diego Directory Co.	Image pg. A79
1938	INDIA/VINE	San Diego Directory Co.	Image pg. A88
1933	INDIA/VINE	San Diego Directory Co.	Image pg. A97

INDIA/VINE ST

INDIA/VINE ST

<u>Year</u>	<u>Uses</u>	<u>Source</u>	
1984	INDIA/VINE ST	R. L. Polk & Co.	Image pg. A13
1980	INDIA/VINE ST	R. L. Polk & Co.	Image pg. A22
1975	INDIA/VINE ST	R. L. Polk & Co.	Image pg. A30
1970	INDIA/VINE ST	John M. Ducey	
1966	INDIA/VINE ST	R. L. Polk & Co.	Image pg. A41

FINDINGS

KETTNER BLVD

3420 KETTNER BLVD

<u>Year</u>	<u>Uses</u>	<u>Source</u>	
2013	ADVANTAGE RENT A CAR	Cole Information Services	
2008	HERTZ CAR SALES	Cole Information Services	
	HERTZ	Cole Information Services	
2006	HERTZ CAR SALES	Haines Company, Inc.	
	HERTZ LOCAL	Haines Company, Inc.	
	EDITION	Haines Company, Inc.	
2000	HERTZCAR SALES	Haines & Company	Image pg. A1
	HERTZLOCAL EDITION	Haines & Company	Image pg. A1
1991	Car Sales	PACIFIC BELL WHITE PAGES	
	Hertz Robert C	PACIFIC BELL WHITE PAGES	
1984	Coggeshall A W Plumbing Fixtures & Supplies	R. L. Polk & Co.	Image pg. A9
1980	Coggeshall A W Plumbing Fixtures & Supplies	R. L. Polk & Co.	Image pg. A18
		R. L. Polk & Co.	Image pg. A18
1975	Coggeshall Albert W p 1mb & bldg sup	R. L. Polk & Co.	Image pg. A31
1970	COGGESHALL ALBERT W PLMB SUP	John M. Ducey	
1966	COGGESHALL ALBERT W PLMB SUP	R. L. Polk & Co.	Image pg. A42
1961	Coggeshall Albert W plmb sups	R. L. Polk & Co.	Image pg. A51
1960	Coggeshall A W bldg suppl	The Pacific Telephone Telegraph Co.	
1955	Coggeshall A W bldg suppl	R. L. Polk & Co.	
	Coggeshall A W Lumber & Supplies	R. L. Polk & Co.	
1952	Coggeshall A W plmb	R. L. Polk & Co. of California	Image pg. A60
1948	Coggeshall A W plmbr	San Diego Directory Co.	Image pg. A70

3433 KETTNER BLVD

<u>Year</u>	<u>Uses</u>	<u>Source</u>	
1961	Vacant	R. L. Polk & Co.	Image pg. A51
1960	SWOPE TERMITE CONTROL	The Pacific Telephone Telegraph Co.	
1955	Swope C M Termite & Fungi Co	R. L. Polk & Co.	
1952	Swope Termite & Fungi Co pest control	R. L. Polk & Co. of California	Image pg. A60
1948	Swope Termite & Fungi Co	San Diego Directory Co.	Image pg. A70

3441 KETTNER BLVD

<u>Year</u>	<u>Uses</u>	<u>Source</u>	
1961	Nelson Eug M	R. L. Polk & Co.	Image pg. A51
1960	Nelson E M	The Pacific Telephone Telegraph Co.	

FINDINGS

<u>Year</u>	<u>Uses</u>	<u>Source</u>	
1952	Nelson E M	R. L. Polk & Co. of California	Image pg. A60
1948	Ward W G	San Diego Directory Co.	Image pg. A70
1938	Davies W B Jr	San Diego Directory Co.	Image pg. A84
1933	Brown J D o	San Diego Directory Co.	Image pg. A93
1927	Brown J D	San Diego Directory Co.	Image pg. A101

3444 KETTNER BLVD

<u>Year</u>	<u>Uses</u>	<u>Source</u>	
2000	No Current Listing	Haines & Company	Image pg. A1
1975	Vacant	R. L. Polk & Co.	Image pg. A31
1966	TERRIE GLEN J	R. L. Polk & Co.	Image pg. A42
1961	Bustos Bill M	R. L. Polk & Co.	Image pg. A51
1955	Iavelli Michael L	R. L. Polk & Co.	
1952	Havelli M L	R. L. Polk & Co. of California	Image pg. A60
1948	Edmonds Le Roy	San Diego Directory Co.	Image pg. A70
1943	Blan L W	San Diego Directory Co.	Image pg. A75
1933	Sanchez Manuel	San Diego Directory Co.	Image pg. A93

3452 KETTNER BLVD

<u>Year</u>	<u>Uses</u>	<u>Source</u>	
1966	VACANT	R. L. Polk & Co.	Image pg. A42
1961	Edmonds Robt R	R. L. Polk & Co.	Image pg. A51
1952	Jacobsen Ernest	R. L. Polk & Co. of California	Image pg. A60
1948	Smith Virginia	San Diego Directory Co.	Image pg. A70
1945	Gilkey Harry Mrs r	San Diego Directory Co.	
1943	Gilkey H H	San Diego Directory Co.	Image pg. A75
1938	Mitchell John	San Diego Directory Co.	Image pg. A84
1933	Benn Michi	San Diego Directory Co.	Image pg. A93

3453 KETTNER BLVD

<u>Year</u>	<u>Uses</u>	<u>Source</u>	
1961	Vacant	R. L. Polk & Co.	Image pg. A51
1960	Brandenburg Dudley	The Pacific Telephone Telegraph Co.	

3455 KETTNER BLVD

<u>Year</u>	<u>Uses</u>	<u>Source</u>	
1961	Vacant	R. L. Polk & Co.	Image pg. A51
	1/2 Vacant	R. L. Polk & Co.	Image pg. A51
1960	Drew Hubert T	The Pacific Telephone Telegraph Co.	
	Martinez Paul T	The Pacific Telephone Telegraph Co.	

FINDINGS

<u>Year</u>	<u>Uses</u>	<u>Source</u>	
1955	Jaenicke Eva	R. L. Polk & Co.	
	Parker Alfred S	R. L. Polk & Co.	
1952	Fletcher Elmer	R. L. Polk & Co. of California	Image pg. A60
	1/2 Phelps R D	R. L. Polk & Co. of California	Image pg. A60
1948	Terada John	San Diego Directory Co.	Image pg. A70
	1/2 Palmer F W	San Diego Directory Co.	Image pg. A70
1943	Clark H W	San Diego Directory Co.	Image pg. A75
	Irwin F W	San Diego Directory Co.	Image pg. A75
1938	ABrown J D	San Diego Directory Co.	Image pg. A84
1933	Wilson Jas	San Diego Directory Co.	Image pg. A93
1927	Vacant	San Diego Directory Co.	Image pg. A101

3456 KETTNER BLVD

<u>Year</u>	<u>Uses</u>	<u>Source</u>	
1966	VACANT	R. L. Polk & Co.	Image pg. A42
1961	No Return	R. L. Polk & Co.	Image pg. A51
1952	Mc Daniel W H	R. L. Polk & Co. of California	Image pg. A60
1948	Coleman W S radio repr	San Diego Directory Co.	Image pg. A70

3465 KETTNER BLVD

<u>Year</u>	<u>Uses</u>	<u>Source</u>	
1961	Weese Jas M	R. L. Polk & Co.	Image pg. A51
1960	Tavares Louis J	The Pacific Telephone Telegraph Co.	
1955	Tavares Louis J	R. L. Polk & Co.	
1952	Vacant	R. L. Polk & Co. of California	Image pg. A60
1948	Stark Gloria L	San Diego Directory Co.	Image pg. A70
1945	Cripe Katherine B r	San Diego Directory Co.	
1943	Cripe K B Mrs	San Diego Directory Co.	Image pg. A75
1938	Lewis John	San Diego Directory Co.	Image pg. A84
	Medina Jos	San Diego Directory Co.	Image pg. A84
1933	Lewis John o	San Diego Directory Co.	Image pg. A93
1927	Lewis Jino	San Diego Directory Co.	Image pg. A101

3466 KETTNER BLVD

<u>Year</u>	<u>Uses</u>	<u>Source</u>	
1955	Purdy Kenneth F	R. L. Polk & Co.	
1952	Vacant	R. L. Polk & Co. of California	Image pg. A60
1948	Brown Carrie Mrs	San Diego Directory Co.	Image pg. A70
1943	Hukill R L	San Diego Directory Co.	Image pg. A75

FINDINGS

<u>Year</u>	<u>Uses</u>	<u>Source</u>	
1938	Joacjuin Jos	San Diego Directory Co.	Image pg. A84
1933	Rodriguez Antonio	San Diego Directory Co.	Image pg. A93

3467 KETTNER BLVD

<u>Year</u>	<u>Uses</u>	<u>Source</u>	
1961	Vacant	R. L. Polk & Co.	Image pg. A51
1955	Dobbs Aleta	R. L. Polk & Co.	
1952	Pedrin Albert jr	R. L. Polk & Co. of California	Image pg. A60
1948	Rawlinson F H	San Diego Directory Co.	Image pg. A70
1943	Hall Everett	San Diego Directory Co.	Image pg. A75

3468 KETTNER BLVD

<u>Year</u>	<u>Uses</u>	<u>Source</u>	
1952	Mc Crohan Dan	R. L. Polk & Co. of California	Image pg. A60

3469 KETTNER BLVD

<u>Year</u>	<u>Uses</u>	<u>Source</u>	
1961	Johnson Harry	R. L. Polk & Co.	Image pg. A51
1955	Colbert Bobby R	R. L. Polk & Co.	
1952	Jackson S R	R. L. Polk & Co. of California	Image pg. A60
1948	Wendschuh Elsie	San Diego Directory Co.	Image pg. A70
1945	Thayer G A r	San Diego Directory Co.	
1943	Thayer Rex	San Diego Directory Co.	Image pg. A75

3471 KETTNER BLVD

<u>Year</u>	<u>Uses</u>	<u>Source</u>	
1961	Winp Edgar A	R. L. Polk & Co.	Image pg. A51
1952	Watkins V L	R. L. Polk & Co. of California	Image pg. A60
1948	Keough W E	San Diego Directory Co.	Image pg. A70
1943	Stone Richd	San Diego Directory Co.	Image pg. A75

3473 KETTNER BLVD

<u>Year</u>	<u>Uses</u>	<u>Source</u>	
1961	Vacant	R. L. Polk & Co.	Image pg. A51
1955	Gardner Eldon B	R. L. Polk & Co.	
1952	Hill H R	R. L. Polk & Co. of California	Image pg. A60
1948	Lane W D	San Diego Directory Co.	Image pg. A70
1943	Boyd F H	San Diego Directory Co.	Image pg. A75

FINDINGS

3500 KETTNER BLVD

<u>Year</u>	<u>Uses</u>	<u>Source</u>	
2008	PARK & RIDE CO	Cole Information Services	
1938	Century Lumber & Mill Co	San Diego Directory Co.	Image pg. A84

3501 KETTNER BLVD

<u>Year</u>	<u>Uses</u>	<u>Source</u>	
1961	Padilla Luis H	R. L. Polk & Co.	Image pg. A51
1960	Barnard Thos W	The Pacific Telephone Telegraph Co.	
1955	Malone Anthony E	R. L. Polk & Co.	

3503 KETTNER BLVD

<u>Year</u>	<u>Uses</u>	<u>Source</u>	
1961	Ellsworth Raoul W	R. L. Polk & Co.	Image pg. A51
1955	Tate Mozelle	R. L. Polk & Co.	

3505 KETTNER BLVD

<u>Year</u>	<u>Uses</u>	<u>Source</u>	
1961	Vacant	R. L. Polk & Co.	Image pg. A51
1960	Bergstrom Robt R	The Pacific Telephone Telegraph Co.	
1955	Grasmick J C	R. L. Polk & Co.	
1952	Neidig W H	R. L. Polk & Co. of California	Image pg. A60
1948	Neidig H W	San Diego Directory Co.	Image pg. A70
1943	Chamberlin E J	San Diego Directory Co.	Image pg. A75

3507 KETTNER BLVD

<u>Year</u>	<u>Uses</u>	<u>Source</u>	
1961	Horner Henry	R. L. Polk & Co.	Image pg. A51
1952	Clark Luella	R. L. Polk & Co. of California	Image pg. A60
1948	Clark L M Mrs	San Diego Directory Co.	Image pg. A70
1943	Monise F S	San Diego Directory Co.	Image pg. A75

3509 KETTNER BLVD

<u>Year</u>	<u>Uses</u>	<u>Source</u>	
1961	No Return	R. L. Polk & Co.	Image pg. A51
1955	Scott Jas M	R. L. Polk & Co.	
1952	Hardy W A	R. L. Polk & Co. of California	Image pg. A60
1948	Johnson J R	San Diego Directory Co.	Image pg. A70
1943	i Beavers J T	San Diego Directory Co.	Image pg. A75

FINDINGS

3511 KETTNER BLVD

<u>Year</u>	<u>Uses</u>	<u>Source</u>	
1961	Vacant	R. L. Polk & Co.	Image pg. A51
1952	Boucher Chas	R. L. Polk & Co. of California	Image pg. A60
1948	Singer Jos	San Diego Directory Co.	Image pg. A70
1943	Knutson N	San Diego Directory Co.	Image pg. A75

3513 KETTNER BLVD

<u>Year</u>	<u>Uses</u>	<u>Source</u>	
1961	Gwirola Pedro L	R. L. Polk & Co.	Image pg. A51
1952	Dennis G M	R. L. Polk & Co. of California	Image pg. A60
1948	Oleson R D	San Diego Directory Co.	Image pg. A70
1943	Olson Donald	San Diego Directory Co.	Image pg. A75

3515 KETTNER BLVD

<u>Year</u>	<u>Uses</u>	<u>Source</u>	
1961	Jeffs Garage auto repr	R. L. Polk & Co.	Image pg. A51
	Bobs Portable Steam Clng	R. L. Polk & Co.	Image pg. A51
1960	Jeffs Auto Polishing	The Pacific Telephone Telegraph Co.	
1952	Eichinger John	R. L. Polk & Co. of California	Image pg. A60
1948	Eichenger J W	San Diego Directory Co.	Image pg. A70
1943	Eichenger J W	San Diego Directory Co.	Image pg. A75

3517 KETTNER BLVD

<u>Year</u>	<u>Uses</u>	<u>Source</u>	
1961	Scites Lou H	R. L. Polk & Co.	Image pg. A51
1960	Garrett John W	The Pacific Telephone Telegraph Co.	
1952	Tate Clyde	R. L. Polk & Co. of California	Image pg. A60
1948	Mc Murry R T	San Diego Directory Co.	Image pg. A70
1945	Maxey Adele r	San Diego Directory Co.	
	Mc Grew David R Jr USMC r	San Diego Directory Co.	
1943	Mc Grew D R	San Diego Directory Co.	Image pg. A75

3518 KETTNER BLVD

<u>Year</u>	<u>Uses</u>	<u>Source</u>	
1948	Maczko E F	San Diego Directory Co.	Image pg. A70

3519 KETTNER BLVD

<u>Year</u>	<u>Uses</u>	<u>Source</u>	
1961	No Return	R. L. Polk & Co.	Image pg. A51
1955	Richards Robt H	R. L. Polk & Co.	

FINDINGS

<u>Year</u>	<u>Uses</u>	<u>Source</u>	
1952	Richards R H	R. L. Polk & Co. of California	Image pg. A60
1945	Maczko Edw F r	San Diego Directory Co.	
1943	Maczko E F	San Diego Directory Co.	Image pg. A75

3521 KETTNER BLVD

<u>Year</u>	<u>Uses</u>	<u>Source</u>	
1961	Stevens N H	R. L. Polk & Co.	Image pg. A51
1955	Wester Wm E	R. L. Polk & Co.	
1952	Fowler Dorothy Mrs	R. L. Polk & Co. of California	Image pg. A60
1948	Swanson Dorothy Mrs	San Diego Directory Co.	Image pg. A70
1943	Hansen M A	San Diego Directory Co.	Image pg. A75
1938	Austin C B	San Diego Directory Co.	Image pg. A84

3523 KETTNER BLVD

<u>Year</u>	<u>Uses</u>	<u>Source</u>	
1961	Vacant	R. L. Polk & Co.	Image pg. A51
1952	Graham I H	R. L. Polk & Co. of California	Image pg. A60
1948	Marsh Robt	San Diego Directory Co.	Image pg. A70
1943	Papke A H	San Diego Directory Co.	Image pg. A75
	Fleming R F	San Diego Directory Co.	Image pg. A75

3526 KETTNER BLVD

<u>Year</u>	<u>Uses</u>	<u>Source</u>	
2000	No Current Listing	Haines & Company	Image pg. A1
1970	POWERS RON SHELL SERVICE GAS	John M. Ducey	

3527 KETTNER BLVD

<u>Year</u>	<u>Uses</u>	<u>Source</u>	
1961	Vacant	R. L. Polk & Co.	Image pg. A51
1952	Moore V I	R. L. Polk & Co. of California	Image pg. A60
1948	Cates W R	San Diego Directory Co.	Image pg. A70
1943	Watson F C	San Diego Directory Co.	Image pg. A75
1938	Jones P W F	San Diego Directory Co.	Image pg. A84
1933	Eckley J T	San Diego Directory Co.	Image pg. A93
	Loscl W S	San Diego Directory Co.	Image pg. A93

3529 KETTNER BLVD

<u>Year</u>	<u>Uses</u>	<u>Source</u>	
1961	Vacant	R. L. Polk & Co.	Image pg. A51
1952	Sowersby Jas	R. L. Polk & Co. of California	Image pg. A60

FINDINGS

3531 KETTNER BLVD

<u>Year</u>	<u>Uses</u>	<u>Source</u>	
1961	Martin Billy J	R. L. Polk & Co.	Image pg. A51
1960	Parker Roy L	The Pacific Telephone Telegraph Co.	
1952	Wetherbee R C	R. L. Polk & Co. of California	Image pg. A60
1948	Huntington R L	San Diego Directory Co.	Image pg. A70
1945	Balch Edmund I Jr r	San Diego Directory Co.	
1943	Roberts C M	San Diego Directory Co.	Image pg. A75
1938	Vacant	San Diego Directory Co.	Image pg. A84

3533 KETTNER BLVD

<u>Year</u>	<u>Uses</u>	<u>Source</u>	
1961	Vacant	R. L. Polk & Co.	Image pg. A51
1955	Pierce Margo	R. L. Polk & Co.	
1952	Halvorson D K	R. L. Polk & Co. of California	Image pg. A60
1948	Wood G W jr	San Diego Directory Co.	Image pg. A70
1943	Clapper Maurice	San Diego Directory Co.	Image pg. A75
1938	Marek Jos	San Diego Directory Co.	Image pg. A84

3535 KETTNER BLVD

<u>Year</u>	<u>Uses</u>	<u>Source</u>	
1961	41 1/2 Capello Apartments	R. L. Polk & Co.	Image pg. A51
	Johnson Wana Mrs	R. L. Polk & Co.	Image pg. A51
	1/2 Forbes Bryon E	R. L. Polk & Co.	Image pg. A51
1955	Schelly B W	R. L. Polk & Co.	
1952	Schelly Burt	R. L. Polk & Co. of California	Image pg. A60
1948	Walton C H	San Diego Directory Co.	Image pg. A70
1943	Walton C H	San Diego Directory Co.	Image pg. A75

3537 KETTNER BLVD

<u>Year</u>	<u>Uses</u>	<u>Source</u>	
1961	Robinson Wm O	R. L. Polk & Co.	Image pg. A51
	1/2 Mc Coy Richd E	R. L. Polk & Co.	Image pg. A51
1960	Hedge Warren N	The Pacific Telephone Telegraph Co.	
1955	Bowman Thos F Mrs	R. L. Polk & Co.	
1952	Babbs Loren	R. L. Polk & Co. of California	Image pg. A60
1948	Blank Helen Mrs	San Diego Directory Co.	Image pg. A70
1945	Mc Clarren W T r	San Diego Directory Co.	
1943	Mc Clarren W T	San Diego Directory Co.	Image pg. A75

FINDINGS

3539 KETTNER BLVD

<u>Year</u>	<u>Uses</u>	<u>Source</u>	
1961	1/2 Carini Francesco	R. L. Polk & Co.	Image pg. A51
	Dunnam Terry	R. L. Polk & Co.	Image pg. A51
1955	Lyasko Mike	R. L. Polk & Co.	
1952	Ainsworth J P	R. L. Polk & Co. of California	Image pg. A60
1948	Matthews H D	San Diego Directory Co.	Image pg. A70
1943	Boswell J N W	San Diego Directory Co.	Image pg. A75

3541 KETTNER BLVD

<u>Year</u>	<u>Uses</u>	<u>Source</u>	
1961	1/2 York Troy V	R. L. Polk & Co.	Image pg. A51
	Meeker Claydy E	R. L. Polk & Co.	Image pg. A51
1955	Fleming Earl	R. L. Polk & Co.	
1952	Jones Chas	R. L. Polk & Co. of California	Image pg. A60
1948	Davis H G	San Diego Directory Co.	Image pg. A70
1943	Williams W L	San Diego Directory Co.	Image pg. A75

3553 KETTNER BLVD

<u>Year</u>	<u>Uses</u>	<u>Source</u>	
1961	Butler Paper Co	R. L. Polk & Co.	Image pg. A51
	Tolle Co The adv agcy	R. L. Polk & Co.	Image pg. A51
	Plastering & Lathing Institute of SD County	R. L. Polk & Co.	Image pg. A51
1960	Tolle Norman W The Tolle Co advg	The Pacific Telephone Telegraph Co.	
	Butler Paper Co Sierra Paper Co	The Pacific Telephone Telegraph Co.	
	Driese Don N The Tolle Co advg	The Pacific Telephone Telegraph Co.	
	PLASTERING & LATHING INSTITUTE OF S D COUNTY	The Pacific Telephone Telegraph Co.	
	Shultz Hal Sierra Paper Co	The Pacific Telephone Telegraph Co.	
	SIERRA PAPER CO	The Pacific Telephone Telegraph Co.	
	TOLLE CO THE advg	The Pacific Telephone Telegraph Co.	
	Tolle Muriel The Tolle Co advg	The Pacific Telephone Telegraph Co.	
1955	Shultz Hal Sierra Paper Co	R. L. Polk & Co.	
	Driese Don N The Tolle Co advg	R. L. Polk & Co.	
	Sierra Paper Co	R. L. Polk & Co.	
	Tolle Co The advg	R. L. Polk & Co.	
	Tolle Muriel The Tolle Co advg	R. L. Polk & Co.	
	Tolle Norman W The Tolle Co advg	R. L. Polk & Co.	
1952	Baden C F	R. L. Polk & Co. of California	Image pg. A60
1948	Mendoza Douglas	San Diego Directory Co.	Image pg. A70

FINDINGS

<u>Year</u>	<u>Uses</u>	<u>Source</u>	
1943	Thompson H L	San Diego Directory Co.	Image pg. A75
1938	Thomas E F	San Diego Directory Co.	Image pg. A84
1933	Thomas E F	San Diego Directory Co.	Image pg. A93

3554 KETTNER BLVD

<u>Year</u>	<u>Uses</u>	<u>Source</u>	
1992	Applications	PACIFIC BELL WHITE PAGES	
1985	GENEL RAL ELECTRIC COMPANY MAJOR APPLIANCE & TV SERVICE & PORTS LARGE APPLI	PACIFIC BELL WHITE PAGES	
	GENEL RAL ELECTRIC COMPANY MAJOR APPLIANCE & TV SERVICE & PORTS LARGE APPLI	PACIFIC BELL WHITE PAGES	
	HOTPOINT FACTORY SERVICE MAJOR APPLIANCE SERVICE AND PARTS LARGE APPLIANCES	PACIFIC BELL WHITE PAGES	
	HOTPOINT FACTORY SERVICE MAJOR APPLIANCE SERVICE AND PARTS LARGE APPLIANCES	PACIFIC BELL WHITE PAGES	
	HOTPOINT FACTORY SERVICE MAJOR APPLIANCE SERVICE AND PARTS LARGE APPLIANCES	PACIFIC BELL WHITE PAGES	
	PLAZA BONITA	PACIFIC BELL WHITE PAGES	
1984	General Electric Co sls & serv	R. L. Polk & Co.	Image pg. A9
	Hotpoint sls & serv	R. L. Polk & Co.	Image pg. A9
1980	General Electric Co sis & serv	R. L. Polk & Co.	Image pg. A18
	Hotpoint sis & serv	R. L. Polk & Co.	Image pg. A18
1975	General Electric Co sls & serv	R. L. Polk & Co.	Image pg. A31
1970	NELSON THOMAS & CO OFC FURNISHINGS	John M. Ducey John M. Ducey	
1966	NELSON THOMAS E CO OFC FURNISHINGS	R. L. Polk & Co. R. L. Polk & Co.	Image pg. A42 Image pg. A42

3555 KETTNER BLVD

<u>Year</u>	<u>Uses</u>	<u>Source</u>	
1961	Arts & Crafts Press prntg	R. L. Polk & Co.	Image pg. A51
1960	Arts & Crafts Press	The Pacific Telephone Telegraph Co.	
1955	Arts & Crafts Press	R. L. Polk & Co.	

3564 KETTNER BLVD

<u>Year</u>	<u>Uses</u>	<u>Source</u>
2013	GALAXY RENT A CAR	Cole Information Services
2008	ABC RENT A CAR INC	Cole Information Services

FINDINGS

<u>Year</u>	<u>Uses</u>	<u>Source</u>	
2006	GALAXYRENTA	Haines Company, Inc.	
2000	A BC RENT A CAR	Haines & Company	Image pg. A1
1989	MERRILL SAN DIEGO	Pacific Bell	
1984	Lapidary Journal Inc book & magazine publs	R. L. Polk & Co.	Image pg. A9
1980	magazine pubis	R. L. Polk & Co.	Image pg. A18
	Lapidary Journal Inc book	R. L. Polk & Co.	Image pg. A18
1975	Lapidary Journal Inc book & magazine publs	R. L. Polk & Co.	Image pg. A31
1970	MAGAZINE PUBLS	John M. Ducey	
	LAPIDARY JOURNAL INC BOOK	John M. Ducey	
1966	MAGAZINE PUBLS	R. L. Polk & Co.	Image pg. A42
	LAPIDARY JOURNAL INC BOOK	R. L. Polk & Co.	Image pg. A42

3574 KETTNER BLVD

<u>Year</u>	<u>Uses</u>	<u>Source</u>	
2013	DESIGN FOR HEALTH ENVIRONMENTAL EDUC	Cole Information Services	
2008	DESIGN FOR HEALTH ENVIRONMENTAL SERV	Cole Information Services	
2006	HEALTH ENVRN SV	Haines Company, Inc.	
	DESIGN FOR 619 291 17 T	Haines Company, Inc.	
2000	DESIGN FOR HEALTH	Haines & Company	Image pg. A1
1992	Ad Mail Direct Marketing	PACIFIC BELL WHITE PAGES	
1989	Paragon Design Co Inc	Pacific Bell	
1984	Paragon Design Co eng graphic arts servs	R. L. Polk & Co.	Image pg. A9
1980	Paragon Design Co eng graphic arts serva	R. L. Polk & Co.	Image pg. A18
		R. L. Polk & Co.	Image pg. A18
1975	Masterlist Inc controlled data	R. L. Polk & Co.	Image pg. A31
1970	MASTERLIST INC CONTROLLED DATA	John M. Ducey	
1966	VACANT	R. L. Polk & Co.	Image pg. A42

3575 KETTNER BLVD

<u>Year</u>	<u>Uses</u>	<u>Source</u>	
1961	Fire Dept Sta	R. L. Polk & Co.	Image pg. A51
1952	Fire Dept Sta No	R. L. Polk & Co. of California	Image pg. A60
1948	Fire Dept Sta No	San Diego Directory Co.	Image pg. A70
1943	City Fire Dept Sta No	San Diego Directory Co.	Image pg. A75
1938	City Fire Dept Sta No	San Diego Directory Co.	Image pg. A84
1933	Fire Station No	San Diego Directory Co.	Image pg. A93

FINDINGS

3576 KETTNER BLVD

<u>Year</u>	<u>Uses</u>	<u>Source</u>	
2000	No Current Listing	Haines & Company	Image pg. A1
1975	Vacant	R. L. Polk & Co.	Image pg. A31

3580 KETTNER BLVD

<u>Year</u>	<u>Uses</u>	<u>Source</u>	
2000	No Current Listing	Haines & Company	Image pg. A1
1975	Commerce Publishing Co	R. L. Polk & Co.	Image pg. A31

3590 KETTNER BLVD

<u>Year</u>	<u>Uses</u>	<u>Source</u>	
2008	CASAS LAW GROUP PC	Cole Information Services	
	BAHIA DEVELOPMENT LLC	Cole Information Services	
	ELLIOTT CORNERSTONE	Cole Information Services	
	INBOUND CLICKS LLC	Cole Information Services	
2006	BULDING GROUP	Haines Company, Inc.	
	CORNERSTONE	Haines Company, Inc.	
2000	No Current Listing	Haines & Company	Image pg. A1
1992	Wildlife Education	PACIFIC BELL WHITE PAGES	
	Nex Tech Systems Corp	PACIFIC BELL WHITE PAGES	
	Fullard RW	PACIFIC BELL WHITE PAGES	
	Fulladi Behzad	PACIFIC BELL WHITE PAGES	
	Full Tech	PACIFIC BELL WHITE PAGES	
	Baa Subscriptions	PACIFIC BELL WHITE PAGES	
1989	Arts & Crafts Press	Pacific Bell	
1984	Arts & Crafts Press coml printers	R. L. Polk & Co.	Image pg. A9
1980	Arts & Crafts Press coml printers	R. L. Polk & Co.	Image pg. A18
1975	San Diego Asan Of Advertising Agencies	R. L. Polk & Co.	Image pg. A32
	Concept Graphics	R. L. Polk & Co.	Image pg. A31
	Tolle Co The adv agcy	R. L. Polk & Co.	Image pg. A31
1970	ADVERTISING AGENCIES	John M. Ducey	
	SAN DIEGO ASSOCIATION OF	John M. Ducey	
	TOLLE CO THE ADV AGCY	John M. Ducey	
1966	TOLLE CO THE ADV AGCY	R. L. Polk & Co.	Image pg. A42
	BUTLER PAPER CO WHOL	R. L. Polk & Co.	Image pg. A42

3600 KETTNER BLVD

<u>Year</u>	<u>Uses</u>	<u>Source</u>
1955	Century Lumber & Mill Co	R. L. Polk & Co.

FINDINGS

<u>Year</u>	<u>Uses</u>	<u>Source</u>	
1952	Century Lmbr & Mill Co	R. L. Polk & Co. of California	Image pg. A60
1948	Century Lbr & Mill Co	San Diego Directory Co.	Image pg. A70
1945	Moran Const Co	San Diego Directory Co.	
	Century Lumber & Mill Co	San Diego Directory Co.	
1943	Century Lbr & Mill Co	San Diego Directory Co.	Image pg. A75
1933	Century Lumber & Mill Co	San Diego Directory Co.	Image pg. A93
1927	Century Lumber & Mill Co	San Diego Directory Co.	Image pg. A101

3603 KETTNER BLVD

<u>Year</u>	<u>Uses</u>	<u>Source</u>	
1961	Vacant	R. L. Polk & Co.	Image pg. A51
1952	Holladay W J	R. L. Polk & Co. of California	Image pg. A60
1948	Emery G F	San Diego Directory Co.	Image pg. A70
1943	Watts E W	San Diego Directory Co.	Image pg. A75

3605 KETTNER BLVD

<u>Year</u>	<u>Uses</u>	<u>Source</u>	
1961	Vacant	R. L. Polk & Co.	Image pg. A51
1952	Marker L U	R. L. Polk & Co. of California	Image pg. A60
1943	Benoit R S	San Diego Directory Co.	Image pg. A75
1938	Rury MMMrs	San Diego Directory Co.	Image pg. A84
1933	Carr R H	San Diego Directory Co.	Image pg. A93
1927	Taylor HIJ	San Diego Directory Co.	Image pg. A101

3607 KETTNER BLVD

<u>Year</u>	<u>Uses</u>	<u>Source</u>	
1961	No Return	R. L. Polk & Co.	Image pg. A51
1952	Cruger A B	R. L. Polk & Co. of California	Image pg. A60
1948	Lyter H C	San Diego Directory Co.	Image pg. A70
1945	Lyter Clifton r	San Diego Directory Co.	
1943	Elliott D E	San Diego Directory Co.	Image pg. A75
1938	Cavendar J L	San Diego Directory Co.	Image pg. A84
1933	OKennedy D P	San Diego Directory Co.	Image pg. A93

3609 KETTNER BLVD

<u>Year</u>	<u>Uses</u>	<u>Source</u>	
1961	Vacant	R. L. Polk & Co.	Image pg. A51
1955	Spence K W	R. L. Polk & Co.	
1952	Spence K W	R. L. Polk & Co. of California	Image pg. A60
1948	Causey C H	San Diego Directory Co.	Image pg. A70

FINDINGS

<u>Year</u>	<u>Uses</u>	<u>Source</u>	
1943	Richey I P	San Diego Directory Co.	Image pg. A75
1938	Weir P B	San Diego Directory Co.	Image pg. A84
1933	White Fred	San Diego Directory Co.	Image pg. A93

3611 KETTNER BLVD

<u>Year</u>	<u>Uses</u>	<u>Source</u>	
1961	Mary & Freds Cafe restr	R. L. Polk & Co.	Image pg. A51
	a Vacant	R. L. Polk & Co.	Image pg. A51
	b Vacant	R. L. Polk & Co.	Image pg. A51
1960	Mary & Freds Cafe	The Pacific Telephone Telegraph Co.	
	Sepulveda Robt A	The Pacific Telephone Telegraph Co.	
1955	Bringas Robt R	R. L. Polk & Co.	
	D & W Cafe	R. L. Polk & Co.	
	Weeks Virgil	R. L. Polk & Co.	
1952	M & M Cafe	R. L. Polk & Co. of California	Image pg. A60
	a Mc Clelland La Verne Mrs	R. L. Polk & Co. of California	Image pg. A60
	b Palmer Walter D	R. L. Polk & Co. of California	Image pg. A60
1948	Filletti Eug restr	San Diego Directory Co.	Image pg. A70
	a Butler Basil	San Diego Directory Co.	Image pg. A70
	b Hogg H B	San Diego Directory Co.	Image pg. A70
	c Hogg H H	San Diego Directory Co.	Image pg. A70
1945	Cadet Cafe	San Diego Directory Co.	
1943	Davis R C restr	San Diego Directory Co.	Image pg. A75
	a Gallagher R E	San Diego Directory Co.	Image pg. A75
	b Fellette Eug	San Diego Directory Co.	Image pg. A75
1938	Fillette Bug restr	San Diego Directory Co.	Image pg. A84
1933	Middleton Milton	San Diego Directory Co.	Image pg. A93
1927	Asaro Jos	San Diego Directory Co.	Image pg. A101

3619 KETTNER BLVD

<u>Year</u>	<u>Uses</u>	<u>Source</u>	
1961	Vacant	R. L. Polk & Co.	Image pg. A51
1960	Qualls Roy C Loma Heating & Piping Co	The Pacific Telephone Telegraph Co.	
	Loma Heating & Piping Co	The Pacific Telephone Telegraph Co.	
1955	Mellan C & Qualls R	R. L. Polk & Co.	
1952	Sherman H A real est	R. L. Polk & Co. of California	Image pg. A60
	Mellan & Qualls plmbrs	R. L. Polk & Co. of California	Image pg. A60
	Eby R R real est	R. L. Polk & Co. of California	Image pg. A60
	Costello C E broker	R. L. Polk & Co. of California	Image pg. A60

FINDINGS

<u>Year</u>	<u>Uses</u>	<u>Source</u>	
1948	Mellan & Qualls plmbrs	San Diego Directory Co.	Image pg. A70
1945	Terry G F Mrs r	San Diego Directory Co.	
1943	Sparkman C L	San Diego Directory Co.	Image pg. A75
	Terry G P	San Diego Directory Co.	Image pg. A75
1938	Laidley R B	San Diego Directory Co.	Image pg. A84
1933	Puterbaugh Frank	San Diego Directory Co.	Image pg. A93
1927	Lopez Jios	San Diego Directory Co.	Image pg. A101

3627 KETTNER BLVD

<u>Year</u>	<u>Uses</u>	<u>Source</u>
2006	No Current Listing	Haines Company, Inc.

3631 KETTNER BLVD

<u>Year</u>	<u>Uses</u>	<u>Source</u>	
1961	Vacant	R. L. Polk & Co.	Image pg. A51
1960	Olf Abraham	The Pacific Telephone Telegraph Co.	
	Olf Florine	The Pacific Telephone Telegraph Co.	
1955	Olf Abraham	R. L. Polk & Co.	
1952	Olf Abr	R. L. Polk & Co. of California	Image pg. A60
1948	Olf Abr	San Diego Directory Co.	Image pg. A70
1943	Collins R H	San Diego Directory Co.	Image pg. A75
1938	Entwisle J J	San Diego Directory Co.	Image pg. A84
1933	Peugh L L	San Diego Directory Co.	Image pg. A93
1927	Boggona Jos C m	San Diego Directory Co.	Image pg. A101

3632 KETTNER BLVD

<u>Year</u>	<u>Uses</u>	<u>Source</u>
2006	MONAHAN Shannon	Haines Company, Inc.

3633 KETTNER BLVD

<u>Year</u>	<u>Uses</u>	<u>Source</u>
1989	Executive Offices	Pacific Bell

3634 KETTNER BLVD

<u>Year</u>	<u>Uses</u>	<u>Source</u>	
2006	ESPIRITLI Ron	Haines Company, Inc.	
	LOWRY Richard	Haines Company, Inc.	
	THOMSON James	Haines Company, Inc.	
2000	GAINEY Phil M	Haines & Company	Image pg. A1
1992	Gainey Phil M	PACIFIC BELL WHITE PAGES	

FINDINGS

<u>Year</u>	<u>Uses</u>	<u>Source</u>	
1992	Bordua Daniel James	PACIFIC BELL WHITE PAGES	
	Greer W R	PACIFIC BELL WHITE PAGES	
1989	Gainey Phil M	Pacific Bell	
	Tanner M	Pacific Bell	
1984	Apartments	R. L. Polk & Co.	Image pg. A9
	Gainey Phil M	R. L. Polk & Co.	Image pg. A9
	Landrum Chas L	R. L. Polk & Co.	Image pg. A9
	No Return	R. L. Polk & Co.	Image pg. A9
	Cotton Roy A	R. L. Polk & Co.	Image pg. A9
	Vacant	R. L. Polk & Co.	Image pg. A9
	Rogers Keith	R. L. Polk & Co.	Image pg. A9
	Vacant	R. L. Polk & Co.	Image pg. A9
	Vacant	R. L. Polk & Co.	Image pg. A9
	Sepe Pete	R. L. Polk & Co.	Image pg. A9
	Mickelson Ron	R. L. Polk & Co.	Image pg. A9
1980	Apartments	R. L. Polk & Co.	Image pg. A18
	Gainey Phil M	R. L. Polk & Co.	Image pg. A18
	Vacant	R. L. Polk & Co.	Image pg. A18
	N Montoya Joseph M	R. L. Polk & Co.	Image pg. A18
	No Return	R. L. Polk & Co.	Image pg. A18
	Vacant	R. L. Polk & Co.	Image pg. A18
	No Return	R. L. Polk & Co.	Image pg. A18
	Vacant	R. L. Polk & Co.	Image pg. A18
	Vacant	R. L. Polk & Co.	Image pg. A18
	N Sepe Pete	R. L. Polk & Co.	Image pg. A18
	Thomann Cliff R	R. L. Polk & Co.	Image pg. A18

3637 KETTNER BLVD

<u>Year</u>	<u>Uses</u>	<u>Source</u>	
1961	Mc Morrow Carrie Mrs	R. L. Polk & Co.	Image pg. A51
1960	Mc Morrow Carrie Mrs	The Pacific Telephone Telegraph Co.	
1955	Mc Morrow Carrie Mrs	R. L. Polk & Co.	
1952	Mc Morrow Carrie Mrs	R. L. Polk & Co. of California	Image pg. A60
1948	Mc Morrow Carrie Mrs	San Diego Directory Co.	Image pg. A70
1945	Mc Morrow Carrie Mrs r	San Diego Directory Co.	
1943	Mc Morrow Carrie Mrs	San Diego Directory Co.	Image pg. A75
1938	Slavin J T	San Diego Directory Co.	Image pg. A84
1933	Nielsen Alice Mrs o	San Diego Directory Co.	Image pg. A93

FINDINGS

3648 KETTNER BLVD

<u>Year</u>	<u>Uses</u>	<u>Source</u>	
2000	No Current Listing	Haines & Company	Image pg. A1
1992	Wickersham Jay	PACIFIC BELL WHITE PAGES	
1989	Fiocre N	Pacific Bell	
	Wickersham Jay	Pacific Bell	
1984	Stewart John Studio graphic design	R. L. Polk & Co.	Image pg. A9
1980	Stewart John Studio graphic design	R. L. Polk & Co.	Image pg. A18

3649 KETTNER BLVD

<u>Year</u>	<u>Uses</u>	<u>Source</u>
2006	BECKERGary	Haines Company, Inc.

KETTNER I

3634 KETTNER I

<u>Year</u>	<u>Uses</u>	<u>Source</u>
1992	Tanner M	PACIFIC BELL WHITE PAGES

KETTNER/CHALMERS

KETTNER/CHALMERS

<u>Year</u>	<u>Uses</u>	<u>Source</u>	
1961	KETTNER/CHALMERS	R. L. Polk & Co.	Image pg. A51
1952	KETTNER/CHALMERS	R. L. Polk & Co. of California	Image pg. A60
1948	KETTNER/CHALMERS	San Diego Directory Co.	Image pg. A70
1943	KETTNER/CHALMERS	San Diego Directory Co.	Image pg. A75
1938	KETTNER/CHALMERS	San Diego Directory Co.	Image pg. A84
1933	KETTNER/CHALMERS	San Diego Directory Co.	Image pg. A93
1927	KETTNER/CHALMERS	San Diego Directory Co.	Image pg. A101

KETTNER/CHALMERS ST

KETTNER/CHALMERS ST

<u>Year</u>	<u>Uses</u>	<u>Source</u>	
1984	KETTNER/CHALMERS ST	R. L. Polk & Co.	Image pg. A9
1980	KETTNER/CHALMERS ST	R. L. Polk & Co.	Image pg. A18

FINDINGS

KETTNER/VINE

KETTNER/VINE

<u>Year</u>	<u>Uses</u>	<u>Source</u>	
1961	KETTNER/VINE	R. L. Polk & Co.	Image pg. A51
1952	KETTNER/VINE	R. L. Polk & Co. of California	Image pg. A60
1948	KETTNER/VINE	San Diego Directory Co.	Image pg. A70
1943	KETTNER/VINE	San Diego Directory Co.	Image pg. A75
1938	KETTNER/VINE	San Diego Directory Co.	Image pg. A84
1933	KETTNER/VINE	San Diego Directory Co.	Image pg. A93

KETTNER/VINE ST

KETTNER/VINE ST

<u>Year</u>	<u>Uses</u>	<u>Source</u>	
1975	KETTNER/VINE ST	R. L. Polk & Co.	Image pg. A33

KETTNER/WALNUT AV

KETTNER/WALNUT AV

<u>Year</u>	<u>Uses</u>	<u>Source</u>	
1961	KETTNER/WALNUT AV	R. L. Polk & Co.	Image pg. A51
1952	KETTNER/WALNUT AV	R. L. Polk & Co. of California	Image pg. A60
1948	KETTNER/WALNUT AV	San Diego Directory Co.	Image pg. A70
1943	KETTNER/WALNUT AV	San Diego Directory Co.	Image pg. A75
1938	KETTNER/WALNUT AV	San Diego Directory Co.	Image pg. A84
1933	KETTNER/WALNUT AV	San Diego Directory Co.	Image pg. A93
1927	KETTNER/WALNUT AV	San Diego Directory Co.	Image pg. A101

PACIFIC

3401 PACIFIC

<u>Year</u>	<u>Uses</u>	<u>Source</u>	
1960	Aircraft Cafe	The Pacific Telephone Telegraph Co.	
	Convair Recreation Assn Club House	The Pacific Telephone Telegraph Co.	
1955	Convair Recreation Assn Club House	R. L. Polk & Co.	
	Aircraft Cafe	R. L. Polk & Co.	

3555 PACIFIC

<u>Year</u>	<u>Uses</u>	<u>Source</u>	
1992	TURKS IN C	PACIFIC BELL WHITE PAGES	

FINDINGS

<u>Year</u>	<u>Uses</u>	<u>Source</u>
1992	Turksoy Hakan	PACIFIC BELL WHITE PAGES
	Turna Alejandro	PACIFIC BELL WHITE PAGES
	Turla G	PACIFIC BELL WHITE PAGES
	Tura Lilibeth	PACIFIC BELL WHITE PAGES
	Turla Peter	PACIFIC BELL WHITE PAGES
	Turley CA	PACIFIC BELL WHITE PAGES
	Turley Billy A	PACIFIC BELL WHITE PAGES
	Turley C A	PACIFIC BELL WHITE PAGES

3565 PACIFIC

<u>Year</u>	<u>Uses</u>	<u>Source</u>
1992	A&B Saab Service	PACIFIC BELL WHITE PAGES

3569 PACIFIC

<u>Year</u>	<u>Uses</u>	<u>Source</u>
1992	Quantum Leap The	PACIFIC BELL WHITE PAGES
	Stepstone	PACIFIC BELL WHITE PAGES
	Watson J B	PACIFIC BELL WHITE PAGES
	Watson J C	PACIFIC BELL WHITE PAGES

3571 PACIFIC

<u>Year</u>	<u>Uses</u>	<u>Source</u>
1995	Inland	PACIFIC BELL WHITE PAGES
	Coastal	PACIFIC BELL WHITE PAGES
	Two Men Will Move You	PACIFIC BELL WHITE PAGES
	From Escondido Telephones Call	PACIFIC BELL WHITE PAGES
	From Encinitas Telephones Call	PACIFIC BELL WHITE PAGES
	Fron Encinitas Telephones Call	PACIFIC BELL WHITE PAGES
1992	Two Guys Truck Parts	PACIFIC BELL WHITE PAGES
	From Escondido Telephones Call	PACIFIC BELL WHITE PAGES
1991	Two Percent Plus Apartment Brokers	PACIFIC BELL WHITE PAGES
	
	inland	PACIFIC BELL WHITE PAGES
	Coastal	PACIFIC BELL WHITE PAGES
	From Escondiolo Telephones Call	PACIFIC BELL WHITE PAGES
	Fron Encinitas Telephonies Call	PACIFIC BELL WHITE PAGES
	

FINDINGS

3605 PACIFIC

<u>Year</u>	<u>Uses</u>	<u>Source</u>
1995	Vinyard Doors Inc	PACIFIC BELL WHITE PAGES
1992	From El Calon Telephones Call	PACIFIC BELL WHITE PAGES
	Vineyard Keith	PACIFIC BELL WHITE PAGES
	Vineyard Doors Inc	PACIFIC BELL WHITE PAGES
	Pamelar Angelina	PACIFIC BELL WHITE PAGES
	Pameco Aire	PACIFIC BELL WHITE PAGES
	VIN YARD DOORS IN C	PACIFIC BELL WHITE PAGES
1960	Swalm Enterprises	The Pacific Telephone Telegraph Co.
	Jet Chemical Co	The Pacific Telephone Telegraph Co.
1955	Swalm & Welch	R. L. Polk & Co.
	Swalm Enterprises	R. L. Polk & Co.

3655 PACIFIC

<u>Year</u>	<u>Uses</u>	<u>Source</u>
1992	Safety And Training Services	PACIFIC BELL WHITE PAGES
	Safety Systems & Training Co P O Box 19428	PACIFIC BELL WHITE PAGES
	Safety Supply America	PACIFIC BELL WHITE PAGES
1991	Southwest Safety & Supply Co Inc	PACIFIC BELL WHITE PAGES

3694 PACIFIC

<u>Year</u>	<u>Uses</u>	<u>Source</u>
1992	Kiewit Pacific Co	PACIFIC BELL WHITE PAGES

3698 PACIFIC

<u>Year</u>	<u>Uses</u>	<u>Source</u>
1992	Granite Construction Airport Job Site	PACIFIC BELL WHITE PAGES
	Granite Construction Co.	PACIFIC BELL WHITE PAGES

PACIFIC AVE

3612 PACIFIC AVE

<u>Year</u>	<u>Uses</u>	<u>Source</u>
1921	Santry Geo M watchmn C S Burkhart h	San Diego Directory Co. Inc.

3665 PACIFIC AVE

<u>Year</u>	<u>Uses</u>	<u>Source</u>
1921	Bihier John A Susan E h	San Diego Directory Co. Inc.

FINDINGS

3671 PACIFIC AVE

<u>Year</u>	<u>Uses</u>	<u>Source</u>
1921	Talbert John R Gladys M driver h	San Diego Directory Co. Inc.

3673 PACIFIC AVE

<u>Year</u>	<u>Uses</u>	<u>Source</u>
1921	Guillespie Reuben Ruth floor finshr h	San Diego Directory Co. Inc.

PACIFIC BLVD

3401 PACIFIC BLVD

<u>Year</u>	<u>Uses</u>	<u>Source</u>	
1938	OI AMc Ana lly C 3 re tr	San Diego Directory Co.	Image pg. A89

3535 PACIFIC BLVD

<u>Year</u>	<u>Uses</u>	<u>Source</u>	
1938	S:15:14 W i e Ht A J Kgo s Lt	San Diego Directory Co.	Image pg. A89

3641 PACIFIC BLVD

<u>Year</u>	<u>Uses</u>	<u>Source</u>	
1938	Patillo Armericoi	San Diego Directory Co.	Image pg. A89

3682 PACIFIC BLVD

<u>Year</u>	<u>Uses</u>	<u>Source</u>	
1938	t U i hfl Ad Oil Co	San Diego Directory Co.	Image pg. A89

PACIFIC HWY

3395 PACIFIC HWY

<u>Year</u>	<u>Uses</u>	<u>Source</u>	
1961	Convair Recreation Assn Club House	R. L. Polk & Co.	Image pg. A52
1952	Convair Recreation Assn Club House	R. L. Polk & Co. of California	Image pg. A61

3401 PACIFIC HWY

<u>Year</u>	<u>Uses</u>	<u>Source</u>	
1952	Aircraft Cafe	R. L. Polk & Co. of California	Image pg. A61
1945	Aircraft Cafe	San Diego Directory Co.	
1943	Leighton Industries Inc commissary dept	San Diego Directory Co.	Image pg. A80

3405 PACIFIC HWY

<u>Year</u>	<u>Uses</u>	<u>Source</u>
2013	SAN DIEGO PARK SHUTTLE & FLY	Cole Information Services

FINDINGS

<u>Year</u>	<u>Uses</u>	<u>Source</u>	
2008	PARK & RIDE CO	Cole Information Services	
2006	PARKAND RIDE CO	Haines Company, Inc.	
2000	ACE PARKINGS QUIK	Haines & Company	Image pg. A6

3521 PACIFIC HWY

<u>Year</u>	<u>Uses</u>	<u>Source</u>	
1952	Dot & Bens Diner restr	R. L. Polk & Co. of California	Image pg. A61
1948	Boggs Bros Diner	San Diego Directory Co.	Image pg. A71

3555 PACIFIC HWY

<u>Year</u>	<u>Uses</u>	<u>Source</u>	
2013	FOUR SEASONS SUNROOMS BY SUN BOSS	Cole Information Services	
2008	GEENLIGHT AUTO RPR	Cole Information Services	
	SUN BOSS CORP	Cole Information Services	
2000	TURKSINC	Haines & Company	Image pg. A6
1989	TURKS INC	Pacific Bell	
1984	Turks Independent Mercedes new auto sis & serv	R. L. Polk & Co.	Image pg. A14
1980	auto sis & serv	R. L. Polk & Co.	Image pg. A23
	Turks Independent Mercedes new	R. L. Polk & Co.	Image pg. A23
1975	Pacific Car Rental	R. L. Polk & Co.	Image pg. A34

3565 PACIFIC HWY

<u>Year</u>	<u>Uses</u>	<u>Source</u>	
2013	SWEDISH AUTO A B	Cole Information Services	
2008	SWEDISH AUTO A B	Cole Information Services	
2006	SWEDISH AUTO A B 619 295 6 M	Haines Company, Inc.	
2000	SWEDISH AUTO A	Haines & Company	Image pg. A6
1984	Phillips Chatty A	R. L. Polk & Co.	Image pg. A14
1980	Phillips Chatty A	R. L. Polk & Co.	Image pg. A23
1975	Phillips Chatty A	R. L. Polk & Co.	Image pg. A34

3567 PACIFIC HWY

<u>Year</u>	<u>Uses</u>	<u>Source</u>	
2000	No Current Listing	Haines & Company	Image pg. A6
1984	Golden	R. L. Polk & Co.	Image pg. A14
1980	Vacant	R. L. Polk & Co.	Image pg. A23

FINDINGS

3569 PACIFIC HWY

<u>Year</u>	<u>Uses</u>	<u>Source</u>	
2000	BLADES AUTOMOTIVE	Haines & Company	Image pg. A6
1984	Shrader Bob	R. L. Polk & Co.	Image pg. A14
1980	Eads Ross	R. L. Polk & Co.	Image pg. A23
1975	Pacific Coast Automotive repr	R. L. Polk & Co.	Image pg. A34

3571 PACIFIC HWY

<u>Year</u>	<u>Uses</u>	<u>Source</u>	
2013	TWO GUYS RELOCATION SYSTEMS	Cole Information Services	
	TWO MEN WILL MOVE YOU	Cole Information Services	
2008	TWO GUYS RELOCATION SYSTEMS	Cole Information Services	
	TWO MEN WILL MOVE YOU	Cole Information Services	
2006	MOVE YOU TWO MEN WILL	Haines Company, Inc.	
	MOVE TWO MEN WILL	Haines Company, Inc.	
	SYSTEMS TWO MEN WILL	Haines Company, Inc.	
	RELOCATION	Haines Company, Inc.	
	SYSTEMS TWO GUYS	Haines Company, Inc.	
	RELOCATION	Haines Company, Inc.	
	SYS TWO GUYS	Haines Company, Inc.	
	TWO GUYS RELCTN	Haines Company, Inc.	
	MOVE YOU TWO MEN WILL MV	Haines Company, Inc.	
2000	MOVE YOU	Haines & Company	Image pg. A6
	A AA TWO MEN WILL	Haines & Company	Image pg. A6
	TWO MEN WILLMV YOU	Haines & Company	Image pg. A6
	TWO MEN WILL 0 V YOU	Haines & Company	Image pg. A6
	TWO MEN WILL MOVE	Haines & Company	Image pg. A6
	TWO GUYS RELCTN	Haines & Company	Image pg. A6
1989	TWO MEN WILL MOVE YOU	Pacific Bell	

3575 PACIFIC HWY

<u>Year</u>	<u>Uses</u>	<u>Source</u>	
2000	No Current Listing	Haines & Company	Image pg. A6

3585 PACIFIC HWY

<u>Year</u>	<u>Uses</u>	<u>Source</u>	
2008	AFFORDABLE PRINTING SERVICE	Cole Information Services	

3600 PACIFIC HWY

<u>Year</u>	<u>Uses</u>	<u>Source</u>	
1970	SHOP	John M. Ducey	

FINDINGS

<u>Year</u>	<u>Uses</u>	<u>Source</u>	
1970	VINYARD OVERHEAD DOORS INC	John M. Ducey	
1966	SHOP	R. L. Polk & Co.	Image pg. A43
	VINYARD OVERHEAD DOORS INC	R. L. Polk & Co.	Image pg. A43
1948	Vinyard Fred Overhead Garage Doors	San Diego Directory Co.	Image pg. A71

3601 PACIFIC HWY

<u>Year</u>	<u>Uses</u>	<u>Source</u>	
2000	No Current Listing	Haines & Company	Image pg. A6

3605 PACIFIC HWY

<u>Year</u>	<u>Uses</u>	<u>Source</u>	
2013	VINYARD DOORS INC	Cole Information Services	
2008	VINYARD DOORS INC	Cole Information Services	
2000	VINYARD DOORS INC	Haines & Company	Image pg. A6
	VINEYARDDOORSINC	Haines & Company	Image pg. A6
1989	VINYARD DOORS INC	Pacific Bell	
	Vineyard Dogrs Inc	Pacific Bell	
1984	Vinyard Garage Doors Inc	R. L. Polk & Co.	Image pg. A14
1966	SWALM ENTERPRISES CONCESSIONS & RIDERS	R. L. Polk & Co.	Image pg. A43
	JET CHEMICAL CO	R. L. Polk & Co.	Image pg. A43
1961	Jet Chem Co Mfg	R. L. Polk & Co.	Image pg. A52

3625 PACIFIC HWY

<u>Year</u>	<u>Uses</u>	<u>Source</u>	
1948	Hageman G A gas sta	San Diego Directory Co.	Image pg. A71
1945	Pacific & Vine Sts Ston	San Diego Directory Co.	
1943	Parker & Thornberg gas sta	San Diego Directory Co.	Image pg. A80

3655 PACIFIC HWY

<u>Year</u>	<u>Uses</u>	<u>Source</u>	
2006	BAKERY	Haines Company, Inc.	
	GALASSOS	Haines Company, Inc.	
	CLEAN TEAM CO	Haines Company, Inc.	
	GALASSOS	Haines Company, Inc.	
	BAKERY	Haines Company, Inc.	
2000	CLEAN TEAM CO	Haines & Company	Image pg. A6
	PAMECOCORP	Haines & Company	Image pg. A6
1989	SOUTHWEST SAFETY & SUPPLY CO INC	Pacific Bell	
	PamecoAire	Pacific Bell	

FINDINGS

<u>Year</u>	<u>Uses</u>	<u>Source</u>	
1985	SOUTHWEST SAFETY & SUPPLY CO INC	PACIFIC BELL WHITE PAGES	
1984	b Pameco Aire Refrigeration & Air Conditioning	R. L. Polk & Co.	Image pg. A14
	Southwest Safety	R. L. Polk & Co.	Image pg. A14

3665 PACIFIC HWY

<u>Year</u>	<u>Uses</u>	<u>Source</u>	
2000	No Current Listing	Haines & Company	Image pg. A6

3690 PACIFIC HWY

<u>Year</u>	<u>Uses</u>	<u>Source</u>	
2008	FEDERAL AVIATION ADM	Cole Information Services	
2000	PRECISIONWEATHER	Haines & Company	Image pg. A6

3694 PACIFIC HWY

<u>Year</u>	<u>Uses</u>	<u>Source</u>	
2006	OGDEN AVIATION	Haines Company, Inc.	
2000	SERVICES	Haines & Company	Image pg. A6
	OGDEN AVIATION	Haines & Company	Image pg. A6

3698 PACIFIC HWY

<u>Year</u>	<u>Uses</u>	<u>Source</u>	
2013	UCWEBHOST INC	Cole Information Services	
	ALLIED AVIATION FUELING CO	Cole Information Services	
2008	ALLIED AVIATION SERVICE CO	Cole Information Services	

UPAS/COLUMBIA

UPAS/COLUMBIA

<u>Year</u>	<u>Uses</u>	<u>Source</u>	
1961	UPAS/COLUMBIA	R. L. Polk & Co.	Image pg. A53
1952	UPAS/COLUMBIA	R. L. Polk & Co. of California	Image pg. A62
1948	UPAS/COLUMBIA	San Diego Directory Co.	Image pg. A72
1943	UPAS/COLUMBIA	San Diego Directory Co.	Image pg. A81
1938	UPAS/COLUMBIA	San Diego Directory Co.	Image pg. A90
1927	UPAS/COLUMBIA	San Diego Directory Co.	Image pg. A107

FINDINGS

UPAS/COLUMBIA ST

UPAS/COLUMBIA ST

<u>Year</u>	<u>Uses</u>	<u>Source</u>	
1984	UPAS/COLUMBIA ST	R. L. Polk & Co.	Image pg. A15
1980	UPAS/COLUMBIA ST	R. L. Polk & Co.	Image pg. A24
1975	UPAS/COLUMBIA ST	R. L. Polk & Co.	Image pg. A35
1970	UPAS/COLUMBIA ST	John M. Ducey	
1966	UPAS/COLUMBIA ST	R. L. Polk & Co.	Image pg. A44

UPAS/INDIA

UPAS/INDIA

<u>Year</u>	<u>Uses</u>	<u>Source</u>	
1961	UPAS/INDIA	R. L. Polk & Co.	Image pg. A53
1952	UPAS/INDIA	R. L. Polk & Co. of California	Image pg. A62
1948	UPAS/INDIA	San Diego Directory Co.	Image pg. A72
1943	UPAS/INDIA	San Diego Directory Co.	Image pg. A81
1938	UPAS/INDIA	San Diego Directory Co.	Image pg. A90
1933	UPAS/INDIA	San Diego Directory Co.	Image pg. A98
1927	UPAS/INDIA	San Diego Directory Co.	Image pg. A107

UPAS/INDIA ST

UPAS/INDIA ST

<u>Year</u>	<u>Uses</u>	<u>Source</u>	
1984	UPAS/INDIA ST	R. L. Polk & Co.	Image pg. A15
1980	UPAS/INDIA ST	R. L. Polk & Co.	Image pg. A24
1975	UPAS/INDIA ST	R. L. Polk & Co.	Image pg. A35
1970	UPAS/INDIA ST	John M. Ducey	
1966	UPAS/INDIA ST	R. L. Polk & Co.	Image pg. A44

VINE

1516 VINE

<u>Year</u>	<u>Uses</u>	<u>Source</u>
1992	Saunders Javier	PACIFIC BELL WHITE PAGES

1524 VINE

<u>Year</u>	<u>Uses</u>	<u>Source</u>
1992	Coutts Sammie L	PACIFIC BELL WHITE PAGES

FINDINGS

<u>Year</u>	<u>Uses</u>	<u>Source</u>
1955	Mellen Letty M	R. L. Polk & Co.

1611 VINE

<u>Year</u>	<u>Uses</u>	<u>Source</u>
1955	Kester John Y	R. L. Polk & Co.
1945	Glasson Wm J r	San Diego Directory Co.

1621 VINE

<u>Year</u>	<u>Uses</u>	<u>Source</u>
1955	Shelton Burnell	R. L. Polk & Co.
1945	Gable Jos G r	San Diego Directory Co.

1623 VINE

<u>Year</u>	<u>Uses</u>	<u>Source</u>
1955	Derbes Edgar	R. L. Polk & Co.
1945	Baranov Harold r	San Diego Directory Co.

1629 VINE

<u>Year</u>	<u>Uses</u>	<u>Source</u>
1960	Ellis Chrystle	The Pacific Telephone Telegraph Co.
1955	Way Emerson E	R. L. Polk & Co.

VINE ST

1512 VINE ST

<u>Year</u>	<u>Uses</u>	<u>Source</u>
1984	Vacant	R. L. Polk & Co. Image pg. A16
1980	Vacant	R. L. Polk & Co. Image pg. A25

1516 VINE ST

<u>Year</u>	<u>Uses</u>	<u>Source</u>
2006	SAUNDERSJavier	Haines Company, Inc.
2000	SAUNDERSJavler	Haines & Company Image pg. A7
1989	Saunders Javier	Pacific Bell
1984	Schafer Robt	R. L. Polk & Co. Image pg. A16
1980	Saville Loeta M Mrs	R. L. Polk & Co. Image pg. A25
1975	Saville Loeta M Mrs	R. L. Polk & Co. Image pg. A36
1970	SAVILLE LEOTA M MRS	John M. Ducey
1966	SA VILLE LEOTA M MRS S	R. L. Polk & Co. Image pg. A45
1961	Sa Ville Loeta M Mrs	R. L. Polk & Co. Image pg. A54
1952	Saville Loeta Mrs	R. L. Polk & Co. of California Image pg. A63

FINDINGS

<u>Year</u>	<u>Uses</u>	<u>Source</u>	
1948	Saville L M Mrs	San Diego Directory Co.	Image pg. A73
1943	Gates P E	San Diego Directory Co.	Image pg. A82
1938	AGates P E to	San Diego Directory Co.	Image pg. A91
1933	Gates A E	San Diego Directory Co.	Image pg. A99

1524 VINE ST

<u>Year</u>	<u>Uses</u>	<u>Source</u>	
2006	o MOORE Edward K	Haines Company, Inc.	
2000	MOORE Edward K	Haines & Company	Image pg. A7
1989	Coutts Sammie L	Pacific Bell	
	Connors Carish	Pacific Bell	
1984	Carman Richd T	R. L. Polk & Co.	Image pg. A16
1980	Carman Richd T	R. L. Polk & Co.	Image pg. A25
1975	Ludwa UI James S	R. L. Polk & Co.	Image pg. A36
1970	VACANT	John M. Ducey	
1966	TEXEIRA LARRY	R. L. Polk & Co.	Image pg. A45
1961	Texeira Larry	R. L. Polk & Co.	Image pg. A54
1952	Barrows Anna Mrs	R. L. Polk & Co. of California	Image pg. A63
1948	Barrows Anna Mrs	San Diego Directory Co.	Image pg. A73
1943	Likes E K Mrs	San Diego Directory Co.	Image pg. A82
1938	Likes E K Mrs	San Diego Directory Co.	Image pg. A91
1933	Likes Nell Mrs Co	San Diego Directory Co.	Image pg. A99

1526 VINE ST

<u>Year</u>	<u>Uses</u>	<u>Source</u>	
2006	No Current Listing	Haines Company, Inc.	
2000	HANSON Gaylord	Haines & Company	Image pg. A7
1984	Rockwood Keith	R. L. Polk & Co.	Image pg. A16
1980	N Robinson Robbie S	R. L. Polk & Co.	Image pg. A25

1611 VINE ST

<u>Year</u>	<u>Uses</u>	<u>Source</u>	
1952	Thomas D S	R. L. Polk & Co. of California	Image pg. A63
1948	Hyde M J	San Diego Directory Co.	Image pg. A73
	Prescott G R Mrs	San Diego Directory Co.	Image pg. A73
1943	Glasson	San Diego Directory Co.	Image pg. A82
1938	AGlasson W J	San Diego Directory Co.	Image pg. A91

FINDINGS

1621 VINE ST

<u>Year</u>	<u>Uses</u>	<u>Source</u>	
1966	HUGHES FRANCIS L	R. L. Polk & Co.	Image pg. A45
1961	No Return	R. L. Polk & Co.	Image pg. A54
1952	Schimmel E M	R. L. Polk & Co. of California	Image pg. A63
1948	Gable J G	San Diego Directory Co.	Image pg. A73
1943	AForry J E	San Diego Directory Co.	Image pg. A82

1623 VINE ST

<u>Year</u>	<u>Uses</u>	<u>Source</u>	
1966	JERMARK LARRY W	R. L. Polk & Co.	Image pg. A45
1961	Martin Carl G	R. L. Polk & Co.	Image pg. A54
1952	Wheeler R W	R. L. Polk & Co. of California	Image pg. A63
1948	Baranov Harold	San Diego Directory Co.	Image pg. A73
1943	ABaranov Harold	San Diego Directory Co.	Image pg. A82

1627 VINE ST

<u>Year</u>	<u>Uses</u>	<u>Source</u>	
1966	JORDAN JERRY W	R. L. Polk & Co.	Image pg. A45

1629 VINE ST

<u>Year</u>	<u>Uses</u>	<u>Source</u>	
1966	VACANT	R. L. Polk & Co.	Image pg. A45
1961	Morton James K	R. L. Polk & Co.	Image pg. A54
1952	Way E E	R. L. Polk & Co. of California	Image pg. A63
1948	Tenney C V	San Diego Directory Co.	Image pg. A73
1943	Hardgree Albt	San Diego Directory Co.	Image pg. A82
1938	Green E BK	San Diego Directory Co.	Image pg. A91

VINE/CALIFORNIA

VINE/CALIFORNIA

<u>Year</u>	<u>Uses</u>	<u>Source</u>	
1927	VINE/CALIFORNIA	San Diego Directory Co.	Image pg. A108

VINE/COLUMBIA

VINE/COLUMBIA

<u>Year</u>	<u>Uses</u>	<u>Source</u>	
1961	VINE/COLUMBIA	R. L. Polk & Co.	Image pg. A54
1952	VINE/COLUMBIA	R. L. Polk & Co. of California	Image pg. A63

FINDINGS

<u>Year</u>	<u>Uses</u>	<u>Source</u>	
1948	VINE/COLUMBIA	San Diego Directory Co.	Image pg. A73
1943	VINE/COLUMBIA	San Diego Directory Co.	Image pg. A82
1938	VINE/COLUMBIA	San Diego Directory Co.	Image pg. A91
1927	VINE/COLUMBIA	San Diego Directory Co.	Image pg. A108

VINE/COLUMBIA ST

VINE/COLUMBIA ST

<u>Year</u>	<u>Uses</u>	<u>Source</u>	
1984	VINE/COLUMBIA ST	R. L. Polk & Co.	Image pg. A16
1980	VINE/COLUMBIA ST	R. L. Polk & Co.	Image pg. A25
1975	VINE/COLUMBIA ST	R. L. Polk & Co.	Image pg. A36
1970	VINE/COLUMBIA ST	John M. Ducey	
1966	VINE/COLUMBIA ST	R. L. Polk & Co.	Image pg. A45

VINE/INDIA

VINE/INDIA

<u>Year</u>	<u>Uses</u>	<u>Source</u>	
1961	VINE/INDIA	R. L. Polk & Co.	Image pg. A54
1952	VINE/INDIA	R. L. Polk & Co. of California	Image pg. A63
1948	VINE/INDIA	San Diego Directory Co.	Image pg. A73
1943	VINE/INDIA	San Diego Directory Co.	Image pg. A82
1938	VINE/INDIA	San Diego Directory Co.	Image pg. A91
1927	VINE/INDIA	San Diego Directory Co.	Image pg. A108

VINE/INDIA ST

VINE/INDIA ST

<u>Year</u>	<u>Uses</u>	<u>Source</u>	
1984	VINE/INDIA ST	R. L. Polk & Co.	Image pg. A16
1980	VINE/INDIA ST	R. L. Polk & Co.	Image pg. A25
1975	VINE/INDIA ST	R. L. Polk & Co.	Image pg. A36
1970	VINE/INDIA ST	John M. Ducey	
1966	VINE/INDIA ST	R. L. Polk & Co.	Image pg. A45

FINDINGS

VINE/KETTNER BLVD

VINE/KETTNER BLVD

<u>Year</u>	<u>Uses</u>	<u>Source</u>	
1927	VINE/KETTNER BLVD	San Diego Directory Co.	Image pg. A108

W WALNUT AVE

1703 W WALNUT AVE

<u>Year</u>	<u>Uses</u>	<u>Source</u>
2006	No Current Listing	Haines Company, Inc.
1989	Young C	Pacific Bell
1960	Daffin Richard L	The Pacific Telephone Telegraph Co.
1955	Myers Maurine	R. L. Polk & Co.

1709 W WALNUT AVE

<u>Year</u>	<u>Uses</u>	<u>Source</u>
2006	No Current Listing	Haines Company, Inc.
1960	Davis Harry M	The Pacific Telephone Telegraph Co.
1955	Davis Harry M	R. L. Polk & Co.
1945	Davis Harry M r	San Diego Directory Co.

1711 W WALNUT AVE

<u>Year</u>	<u>Uses</u>	<u>Source</u>
2006	LEYVAPhilippe	Haines Company, Inc.
1960	Sharp Chas	The Pacific Telephone Telegraph Co.
1955	Thomas John Howard	R. L. Polk & Co.
1945	Elley J E r	San Diego Directory Co.

1717 W WALNUT AVE

<u>Year</u>	<u>Uses</u>	<u>Source</u>
2006	a PERALTA Aurelio	Haines Company, Inc.
1989	Mayorga Julia	Pacific Bell
1960	Meyer W W	The Pacific Telephone Telegraph Co.
1955	Meyer W W	R. L. Polk & Co.

1719 W WALNUT AVE

<u>Year</u>	<u>Uses</u>	<u>Source</u>
2006	No Current Listing	Haines Company, Inc.

FINDINGS

1949 W WALNUT AVE

<u>Year</u>	<u>Uses</u>	<u>Source</u>
2013	SINAK CORPORATION	Cole Information Services
2008	SINAK CORP	Cole Information Services
	RUSH PRESS INC	Cole Information Services
2006	CORPORATION	Haines Company, Inc.
	SINAK	Haines Company, Inc.
1992	Arts Insurance & Tax Services	PACIFIC BELL WHITE PAGES
	ARTS IN CORPORATE D	PACIFIC BELL WHITE PAGES
	Arts & Crafts Press	PACIFIC BELL WHITE PAGES
	Art Publishers Atelier	PACIFIC BELL WHITE PAGES

WALNUT AVE W

1703 WALNUT AVE W

<u>Year</u>	<u>Uses</u>	<u>Source</u>	
2000	No Current Listing	Haines & Company	Image pg. A8
1984	Buckingham Thos	R. L. Polk & Co.	Image pg. A17
	1/2 Young C	R. L. Polk & Co.	Image pg. A17
1980	N Buckingham Thos	R. L. Polk & Co.	Image pg. A26
	r N Harvey Janet L	R. L. Polk & Co.	Image pg. A26
1975	Hayes Melvin B	R. L. Polk & Co.	Image pg. A37
	Conti Ron	R. L. Polk & Co.	Image pg. A37
1970	VACANT	John M. Ducey	
	K NYGAARD KAI	John M. Ducey	
1966	KASSLER ROBT R	R. L. Polk & Co.	Image pg. A46
	MYERS MAURINE MRS	R. L. Polk & Co.	Image pg. A46
1961	Myers Maurine Mrs	R. L. Polk & Co.	Image pg. A55
	1/2 Regan Chas	R. L. Polk & Co.	Image pg. A55
1952	Myers Glenn	R. L. Polk & Co. of California	Image pg. A64
	1/2 Stone Wayne	R. L. Polk & Co. of California	Image pg. A64
1948	Myers Glenn	San Diego Directory Co.	Image pg. A74
1943	Myers Glenn	San Diego Directory Co.	Image pg. A83

1709 WALNUT AVE W

<u>Year</u>	<u>Uses</u>	<u>Source</u>	
1984	Davis Harry M	R. L. Polk & Co.	Image pg. A17
1980	Davis Harry M	R. L. Polk & Co.	Image pg. A26
1975	Davis Harry M	R. L. Polk & Co.	Image pg. A37
1970	DAVIS HARRY N S	John M. Ducey	

FINDINGS

<u>Year</u>	<u>Uses</u>	<u>Source</u>	
1966	DAVIS HARRY M	R. L. Polk & Co.	Image pg. A46
1961	Davis Harry M	R. L. Polk & Co.	Image pg. A55
1952	Davis H M	R. L. Polk & Co. of California	Image pg. A64
1948	Davis H M	San Diego Directory Co.	Image pg. A74
1943	ADavis H M	San Diego Directory Co.	Image pg. A83

1711 WALNUT AVE W

<u>Year</u>	<u>Uses</u>	<u>Source</u>	
1984	Pruett Richd K	R. L. Polk & Co.	Image pg. A17
1980	N Bernee C	R. L. Polk & Co.	Image pg. A26
1975	Nod Gary	R. L. Polk & Co.	Image pg. A37
1970	HARRIS CHARLES	John M. Ducey	
1966	MC CRACKEN WM J	R. L. Polk & Co.	Image pg. A46
1961	Braithwaite Lloyd N	R. L. Polk & Co.	Image pg. A55
1952	Brotherton G A	R. L. Polk & Co. of California	Image pg. A64
1948	De Marce V V	San Diego Directory Co.	Image pg. A74

1717 WALNUT AVE W

<u>Year</u>	<u>Uses</u>	<u>Source</u>	
2000	No Current Listing	Haines & Company	Image pg. A8
1984	Gregory Jon C	R. L. Polk & Co.	Image pg. A17
1980	Gregory Jon C	R. L. Polk & Co.	Image pg. A26
1975	Gregory Jon C	R. L. Polk & Co.	Image pg. A37
1970	VACANT	John M. Ducey	
1966	MILLIGAN JAMES A	R. L. Polk & Co.	Image pg. A46
1961	Milligan James A	R. L. Polk & Co.	Image pg. A55
1952	Meyer W W	R. L. Polk & Co. of California	Image pg. A64
1948	Trevennen John jr	San Diego Directory Co.	Image pg. A74
1943	Bentson Lester	San Diego Directory Co.	Image pg. A83
1938	Davis H M	San Diego Directory Co.	Image pg. A92
1933	Davis H M	San Diego Directory Co.	Image pg. A100
1927	Davis H M	San Diego Directory Co.	Image pg. A109

1719 WALNUT AVE W

<u>Year</u>	<u>Uses</u>	<u>Source</u>	
2000	No Current Listing	Haines & Company	Image pg. A8
1984	Hannah J Thos	R. L. Polk & Co.	Image pg. A17
1980	Leytham Robt J	R. L. Polk & Co.	Image pg. A26
1975	Davis Florence	R. L. Polk & Co.	Image pg. A37

FINDINGS

<u>Year</u>	<u>Uses</u>	<u>Source</u>	
1970	BATSON KENNETH B	John M. Ducey	
1966	DAVIS CLINTON D REV	R. L. Polk & Co.	Image pg. A46

1949 WALNUT AVE W

<u>Year</u>	<u>Uses</u>	<u>Source</u>	
2000	CONTLGRAPHICS	Haines & Company	Image pg. A8
	ARTS&CRAFTS PRESS	Haines & Company	Image pg. A8
1984	Vacant	R. L. Polk & Co.	Image pg. A17
1980	Vacant	R. L. Polk & Co.	Image pg. A26
1975	Arts & Crafts Press coml prntrs	R. L. Polk & Co.	Image pg. A37
1970	ARTS CRAFTS PRESS COML PRNTRS	John M. Ducey	
1966	ARTS & CRAFTS PRESS CDML PRNTRS	R. L. Polk & Co. R. L. Polk & Co.	Image pg. A46 Image pg. A46

WALNUT/CALIFORNIA

WALNUT/CALIFORNIA

<u>Year</u>	<u>Uses</u>	<u>Source</u>	
1927	WALNUT/CALIFORNIA	San Diego Directory Co.	Image pg. A109

WALNUT/COLUMBIA

WALNUT/COLUMBIA

<u>Year</u>	<u>Uses</u>	<u>Source</u>	
1927	WALNUT/COLUMBIA	San Diego Directory Co.	Image pg. A109

WALNUT/COLUMBIA ST

WALNUT/COLUMBIA ST

<u>Year</u>	<u>Uses</u>	<u>Source</u>	
1984	WALNUT/COLUMBIA ST	R. L. Polk & Co.	Image pg. A17
1980	WALNUT/COLUMBIA ST	R. L. Polk & Co.	Image pg. A26
1975	WALNUT/COLUMBIA ST	R. L. Polk & Co.	Image pg. A37

WALNUT/KETTNER BLVD

WALNUT/KETTNER BLVD

<u>Year</u>	<u>Uses</u>	<u>Source</u>	
1984	WALNUT/KETTNER BLVD	R. L. Polk & Co.	Image pg. A17
1980	WALNUT/KETTNER BLVD	R. L. Polk & Co.	Image pg. A26
1927	WALNUT/KETTNER BLVD	San Diego Directory Co.	Image pg. A109

FINDINGS

TARGET PROPERTY: ADDRESS NOT IDENTIFIED IN RESEARCH SOURCE

The following Target Property addresses were researched for this report, and the addresses were not identified in the research source.

Address Researched

3550 Kettner Blvd

Address Not Identified in Research Source

1995, 1991, 1985, 1976, 1975, 1971, 1970, 1966, 1965, 1962, 1961, 1960, 1956, 1955, 1952, 1950, 1948, 1940, 1921, 1907, 1903

ADJOINING PROPERTY: ADDRESSES NOT IDENTIFIED IN RESEARCH SOURCE

The following Adjoining Property addresses were researched for this report, and the addresses were not identified in research source.

Address Researched

CALIFORNIA/VINE

Address Not Identified in Research Source

2013, 2008, 2006, 2000, 1995, 1992, 1991, 1989, 1985, 1984, 1980, 1976, 1975, 1971, 1970, 1966, 1965, 1962, 1960, 1956, 1955, 1950, 1945, 1940, 1927, 1921, 1907, 1903

CALIFORNIA/VINE ST

2013, 2008, 2006, 2000, 1995, 1992, 1991, 1989, 1985, 1976, 1971, 1965, 1962, 1961, 1960, 1956, 1955, 1952, 1950, 1948, 1945, 1943, 1940, 1938, 1933, 1927, 1921, 1907, 1903

CALIFORNIA/WALNUT

2013, 2008, 2006, 2000, 1995, 1992, 1991, 1989, 1985, 1984, 1980, 1976, 1975, 1971, 1970, 1966, 1965, 1962, 1961, 1960, 1956, 1955, 1952, 1950, 1948, 1945, 1943, 1940, 1938, 1927, 1921, 1907, 1903

CALIFORNIA/WALNUT AV

2013, 2008, 2006, 2000, 1995, 1992, 1991, 1989, 1985, 1976, 1971, 1965, 1962, 1960, 1956, 1955, 1950, 1945, 1940, 1933, 1921, 1907, 1903

CHALMERS/KETTNER BLVD

2013, 2008, 2006, 2000, 1995, 1992, 1991, 1989, 1985, 1984, 1980, 1976, 1975, 1971, 1970, 1966, 1965, 1962, 1961, 1960, 1956, 1955, 1952, 1950, 1948, 1945, 1943, 1940, 1938, 1933, 1921, 1907, 1903

COLUMBIA/UPAS

2013, 2008, 2006, 2000, 1995, 1992, 1991, 1989, 1985, 1984, 1980, 1976, 1975, 1971, 1970, 1966, 1965, 1962, 1960, 1956, 1955, 1950, 1945, 1940, 1927, 1921, 1907, 1903

COLUMBIA/UPAS ST

2013, 2008, 2006, 2000, 1995, 1992, 1991, 1989, 1985, 1976, 1971, 1965, 1962, 1961, 1960, 1956, 1955, 1952, 1950, 1948, 1945, 1943, 1940, 1938, 1933, 1927, 1921, 1907, 1903

COLUMBIA/VINE

2013, 2008, 2006, 2000, 1995, 1992, 1991, 1989, 1985, 1984, 1980, 1976, 1975, 1971, 1970, 1966, 1965, 1962, 1961, 1960, 1956, 1955, 1950, 1945, 1940, 1927, 1921, 1907, 1903

COLUMBIA/WALNUT AV

2013, 2008, 2006, 2000, 1995, 1992, 1991, 1989, 1985, 1976, 1975, 1971, 1970, 1966, 1965, 1962, 1961, 1960, 1956, 1955, 1952, 1950, 1948, 1945, 1943, 1940, 1938, 1933, 1921, 1907, 1903

GLENWOOD/INDIA

2013, 2008, 2006, 2000, 1995, 1992, 1991, 1989, 1985, 1984, 1980, 1976, 1975, 1971, 1970, 1966, 1965, 1962, 1961, 1960, 1956, 1955, 1952, 1950, 1948, 1945, 1943, 1940, 1938, 1933, 1921, 1907, 1903

GLENWOOD/INDIA ST

2013, 2008, 2006, 2000, 1995, 1992, 1991, 1989, 1985, 1976, 1975, 1971, 1970, 1966, 1965, 1962, 1961, 1960, 1956, 1955, 1952, 1950, 1948, 1945, 1943, 1940, 1938, 1933, 1927, 1921, 1907, 1903

INDIA/GLENWOOD DR

2013, 2008, 2006, 2000, 1995, 1992, 1991, 1989, 1985, 1976, 1975, 1971, 1970, 1966, 1965, 1962, 1961, 1960, 1956, 1955, 1950, 1945, 1940, 1927, 1921, 1907, 1903

FINDINGS

Address Researched

Address Not Identified in Research Source

INDIA/UPAS	2013, 2008, 2006, 2000, 1995, 1992, 1991, 1989, 1985, 1984, 1980, 1976, 1975, 1971, 1970, 1966, 1965, 1962, 1960, 1956, 1955, 1950, 1945, 1940, 1927, 1921, 1907, 1903
INDIA/UPAS ST	2013, 2008, 2006, 2000, 1995, 1992, 1991, 1989, 1985, 1976, 1971, 1965, 1962, 1961, 1960, 1956, 1955, 1952, 1950, 1948, 1945, 1943, 1940, 1938, 1933, 1927, 1921, 1907, 1903
INDIA/VINE	2013, 2008, 2006, 2000, 1995, 1992, 1991, 1989, 1985, 1984, 1980, 1976, 1975, 1971, 1970, 1966, 1965, 1962, 1960, 1956, 1955, 1950, 1945, 1940, 1927, 1921, 1907, 1903
INDIA/VINE ST	2013, 2008, 2006, 2000, 1995, 1992, 1991, 1989, 1985, 1976, 1971, 1965, 1962, 1961, 1960, 1956, 1955, 1952, 1950, 1948, 1945, 1943, 1940, 1938, 1933, 1927, 1921, 1907, 1903
KETTNER/CHALMERS	2013, 2008, 2006, 2000, 1995, 1992, 1991, 1989, 1985, 1984, 1980, 1976, 1975, 1971, 1970, 1966, 1965, 1962, 1960, 1956, 1955, 1950, 1945, 1940, 1921, 1907, 1903
KETTNER/CHALMERS ST	2013, 2008, 2006, 2000, 1995, 1992, 1991, 1989, 1985, 1976, 1975, 1971, 1970, 1966, 1965, 1962, 1961, 1960, 1956, 1955, 1952, 1950, 1948, 1945, 1943, 1940, 1938, 1933, 1927, 1921, 1907, 1903
KETTNER/VINE	2013, 2008, 2006, 2000, 1995, 1992, 1991, 1989, 1985, 1984, 1980, 1976, 1975, 1971, 1970, 1966, 1965, 1962, 1960, 1956, 1955, 1950, 1945, 1940, 1927, 1921, 1907, 1903
KETTNER/VINE ST	2013, 2008, 2006, 2000, 1995, 1992, 1991, 1989, 1985, 1984, 1980, 1976, 1971, 1970, 1966, 1965, 1962, 1961, 1960, 1956, 1955, 1952, 1950, 1948, 1945, 1943, 1940, 1938, 1933, 1927, 1921, 1907, 1903
KETTNER/WALNUT AV	2013, 2008, 2006, 2000, 1995, 1992, 1991, 1989, 1985, 1984, 1980, 1976, 1975, 1971, 1970, 1966, 1965, 1962, 1960, 1956, 1955, 1950, 1945, 1940, 1921, 1907, 1903
UPAS/COLUMBIA	2013, 2008, 2006, 2000, 1995, 1992, 1991, 1989, 1985, 1984, 1980, 1976, 1975, 1971, 1970, 1966, 1965, 1962, 1960, 1956, 1955, 1950, 1945, 1940, 1933, 1921, 1907, 1903
UPAS/COLUMBIA ST	2013, 2008, 2006, 2000, 1995, 1992, 1991, 1989, 1985, 1976, 1971, 1965, 1962, 1961, 1960, 1956, 1955, 1952, 1950, 1948, 1945, 1943, 1940, 1938, 1933, 1927, 1921, 1907, 1903
UPAS/INDIA	2013, 2008, 2006, 2000, 1995, 1992, 1991, 1989, 1985, 1984, 1980, 1976, 1975, 1971, 1970, 1966, 1965, 1962, 1960, 1956, 1955, 1950, 1945, 1940, 1921, 1907, 1903
UPAS/INDIA ST	2013, 2008, 2006, 2000, 1995, 1992, 1991, 1989, 1985, 1976, 1971, 1965, 1962, 1961, 1960, 1956, 1955, 1952, 1950, 1948, 1945, 1943, 1940, 1938, 1933, 1927, 1921, 1907, 1903
VINE/CALIFORNIA	2013, 2008, 2006, 2000, 1995, 1992, 1991, 1989, 1985, 1984, 1980, 1976, 1975, 1971, 1970, 1966, 1965, 1962, 1961, 1960, 1956, 1955, 1952, 1950, 1948, 1945, 1943, 1940, 1938, 1933, 1921, 1907, 1903
VINE/COLUMBIA	2013, 2008, 2006, 2000, 1995, 1992, 1991, 1989, 1985, 1984, 1980, 1976, 1975, 1971, 1970, 1966, 1965, 1962, 1960, 1956, 1955, 1950, 1945, 1940, 1933, 1921, 1907, 1903
VINE/COLUMBIA ST	2013, 2008, 2006, 2000, 1995, 1992, 1991, 1989, 1985, 1976, 1971, 1965, 1962, 1961, 1960, 1956, 1955, 1952, 1950, 1948, 1945, 1943, 1940, 1938, 1933, 1927, 1921, 1907, 1903
VINE/INDIA	2013, 2008, 2006, 2000, 1995, 1992, 1991, 1989, 1985, 1984, 1980, 1976, 1975, 1971, 1970, 1966, 1965, 1962, 1960, 1956, 1955, 1950, 1945, 1940, 1933, 1921, 1907, 1903

FINDINGS

<u>Address Researched</u>	<u>Address Not Identified in Research Source</u>
VINE/INDIA ST	2013, 2008, 2006, 2000, 1995, 1992, 1991, 1989, 1985, 1976, 1971, 1965, 1962, 1961, 1960, 1956, 1955, 1952, 1950, 1948, 1945, 1943, 1940, 1938, 1933, 1927, 1921, 1907, 1903
VINE/KETTNER BLVD	2013, 2008, 2006, 2000, 1995, 1992, 1991, 1989, 1985, 1984, 1980, 1976, 1975, 1971, 1970, 1966, 1965, 1962, 1961, 1960, 1956, 1955, 1952, 1950, 1948, 1945, 1943, 1940, 1938, 1933, 1921, 1907, 1903
WALNUT/CALIFORNIA	2013, 2008, 2006, 2000, 1995, 1992, 1991, 1989, 1985, 1984, 1980, 1976, 1975, 1971, 1970, 1966, 1965, 1962, 1961, 1960, 1956, 1955, 1952, 1950, 1948, 1945, 1943, 1940, 1938, 1933, 1921, 1907, 1903
WALNUT/COLUMBIA	2013, 2008, 2006, 2000, 1995, 1992, 1991, 1989, 1985, 1984, 1980, 1976, 1975, 1971, 1970, 1966, 1965, 1962, 1961, 1960, 1956, 1955, 1952, 1950, 1948, 1945, 1943, 1940, 1938, 1933, 1921, 1907, 1903
WALNUT/COLUMBIA ST	2013, 2008, 2006, 2000, 1995, 1992, 1991, 1989, 1985, 1976, 1971, 1970, 1966, 1965, 1962, 1961, 1960, 1956, 1955, 1952, 1950, 1948, 1945, 1943, 1940, 1938, 1933, 1927, 1921, 1907, 1903
WALNUT/KETTNER BLVD	2013, 2008, 2006, 2000, 1995, 1992, 1991, 1989, 1985, 1976, 1975, 1971, 1970, 1966, 1965, 1962, 1961, 1960, 1956, 1955, 1952, 1950, 1948, 1945, 1943, 1940, 1938, 1933, 1921, 1907, 1903
1512 VINE ST	2013, 2008, 2006, 2000, 1995, 1992, 1991, 1989, 1985, 1976, 1975, 1971, 1970, 1966, 1965, 1962, 1961, 1960, 1956, 1955, 1952, 1950, 1948, 1945, 1943, 1940, 1938, 1933, 1927, 1921, 1907, 1903
1516 VINE	2013, 2008, 2006, 2000, 1995, 1991, 1989, 1985, 1984, 1980, 1976, 1975, 1971, 1970, 1966, 1965, 1962, 1961, 1960, 1956, 1955, 1952, 1950, 1948, 1945, 1943, 1940, 1938, 1933, 1927, 1921, 1907, 1903
1516 VINE ST	2013, 2008, 1995, 1992, 1991, 1985, 1976, 1971, 1965, 1962, 1960, 1956, 1955, 1950, 1945, 1940, 1927, 1921, 1907, 1903
1524 VINE	2013, 2008, 2006, 2000, 1995, 1991, 1989, 1985, 1984, 1980, 1976, 1975, 1971, 1970, 1966, 1965, 1962, 1961, 1960, 1956, 1952, 1950, 1948, 1945, 1943, 1940, 1938, 1933, 1927, 1921, 1907, 1903
1524 VINE ST	2013, 2008, 1995, 1992, 1991, 1985, 1976, 1971, 1965, 1962, 1960, 1956, 1955, 1950, 1945, 1940, 1927, 1921, 1907, 1903
1526 VINE ST	2013, 2008, 1995, 1992, 1991, 1989, 1985, 1976, 1975, 1971, 1970, 1966, 1965, 1962, 1961, 1960, 1956, 1955, 1952, 1950, 1948, 1945, 1943, 1940, 1938, 1933, 1927, 1921, 1907, 1903
1611 VINE	2013, 2008, 2006, 2000, 1995, 1992, 1991, 1989, 1985, 1984, 1980, 1976, 1975, 1971, 1970, 1966, 1965, 1962, 1961, 1960, 1956, 1952, 1950, 1948, 1943, 1940, 1938, 1933, 1927, 1921, 1907, 1903
1611 VINE ST	2013, 2008, 2006, 2000, 1995, 1992, 1991, 1989, 1985, 1984, 1980, 1976, 1975, 1971, 1970, 1966, 1965, 1962, 1961, 1960, 1956, 1955, 1950, 1945, 1940, 1933, 1927, 1921, 1907, 1903
1621 VINE	2013, 2008, 2006, 2000, 1995, 1992, 1991, 1989, 1985, 1984, 1980, 1976, 1975, 1971, 1970, 1966, 1965, 1962, 1961, 1960, 1956, 1952, 1950, 1948, 1943, 1940, 1938, 1933, 1927, 1921, 1907, 1903
1621 VINE ST	2013, 2008, 2006, 2000, 1995, 1992, 1991, 1989, 1985, 1984, 1980, 1976, 1975, 1971, 1970, 1965, 1962, 1960, 1956, 1955, 1950, 1945, 1940, 1938, 1933, 1927, 1921, 1907, 1903
1623 VINE	2013, 2008, 2006, 2000, 1995, 1992, 1991, 1989, 1985, 1984, 1980, 1976, 1975, 1971, 1970, 1966, 1965, 1962, 1961, 1960, 1956, 1952, 1950, 1948, 1943, 1940, 1938, 1933, 1927, 1921, 1907, 1903
1623 VINE ST	2013, 2008, 2006, 2000, 1995, 1992, 1991, 1989, 1985, 1984, 1980, 1976, 1975, 1971, 1970, 1965, 1962, 1960, 1956, 1955, 1950, 1945, 1940, 1938, 1933, 1927, 1921, 1907, 1903

FINDINGS

Address Researched

Address Not Identified in Research Source

1627 VINE ST	2013, 2008, 2006, 2000, 1995, 1992, 1991, 1989, 1985, 1984, 1980, 1976, 1975, 1971, 1970, 1965, 1962, 1961, 1960, 1956, 1955, 1952, 1950, 1948, 1945, 1943, 1940, 1938, 1933, 1927, 1921, 1907, 1903
1629 VINE	2013, 2008, 2006, 2000, 1995, 1992, 1991, 1989, 1985, 1984, 1980, 1976, 1975, 1971, 1970, 1966, 1965, 1962, 1961, 1956, 1952, 1950, 1948, 1945, 1943, 1940, 1938, 1933, 1927, 1921, 1907, 1903
1629 VINE ST	2013, 2008, 2006, 2000, 1995, 1992, 1991, 1989, 1985, 1984, 1980, 1976, 1975, 1971, 1970, 1965, 1962, 1960, 1956, 1955, 1950, 1945, 1940, 1933, 1927, 1921, 1907, 1903
1702 GLENWOOD DR	2013, 2008, 1995, 1991, 1989, 1985, 1976, 1971, 1966, 1965, 1962, 1961, 1960, 1956, 1950, 1945, 1940, 1927, 1921, 1907, 1903
1703 W WALNUT AVE	2013, 2008, 2000, 1995, 1992, 1991, 1985, 1984, 1980, 1976, 1975, 1971, 1970, 1966, 1965, 1962, 1961, 1956, 1952, 1950, 1948, 1945, 1943, 1940, 1938, 1933, 1927, 1921, 1907, 1903
1703 WALNUT AVE W	2013, 2008, 2006, 1995, 1992, 1991, 1989, 1985, 1976, 1971, 1965, 1962, 1960, 1956, 1955, 1950, 1945, 1940, 1938, 1933, 1927, 1921, 1907, 1903
1704 GLENWOOD DR	2013, 2008, 1995, 1991, 1989, 1985, 1976, 1971, 1965, 1962, 1956, 1955, 1950, 1945, 1940, 1927, 1921, 1907, 1903
1705 GLENWOOD DR	2013, 2008, 1995, 1991, 1985, 1976, 1971, 1965, 1962, 1956, 1955, 1950, 1940, 1938, 1933, 1927, 1921, 1907, 1903
1706 GLENWOOD DR	2013, 2008, 2006, 2000, 1995, 1992, 1991, 1989, 1985, 1984, 1980, 1976, 1975, 1971, 1970, 1965, 1962, 1960, 1956, 1955, 1950, 1948, 1945, 1943, 1940, 1938, 1933, 1927, 1921, 1907, 1903
1708 GLENWOOD DR	2013, 2008, 1995, 1992, 1991, 1989, 1985, 1976, 1971, 1965, 1962, 1960, 1956, 1950, 1945, 1940, 1933, 1927, 1921, 1907, 1903
1709 GLENWOOD DR	2013, 2008, 1995, 1992, 1991, 1985, 1976, 1971, 1965, 1962, 1956, 1955, 1950, 1940, 1938, 1933, 1927, 1921, 1907, 1903
1709 W WALNUT AVE	2013, 2008, 2000, 1995, 1992, 1991, 1989, 1985, 1984, 1980, 1976, 1975, 1971, 1970, 1966, 1965, 1962, 1961, 1956, 1952, 1950, 1948, 1943, 1940, 1938, 1933, 1927, 1921, 1907, 1903
1709 WALNUT AVE W	2013, 2008, 2006, 2000, 1995, 1992, 1991, 1989, 1985, 1976, 1971, 1965, 1962, 1960, 1956, 1955, 1950, 1945, 1940, 1938, 1933, 1927, 1921, 1907, 1903
1710 GLENWOOD DR	2013, 2008, 1995, 1991, 1985, 1976, 1971, 1970, 1966, 1965, 1962, 1961, 1960, 1956, 1955, 1952, 1950, 1948, 1945, 1943, 1940, 1938, 1933, 1927, 1921, 1907, 1903
1711 GLENWOOD DR	2013, 2008, 1995, 1991, 1985, 1976, 1971, 1965, 1962, 1956, 1955, 1950, 1940, 1938, 1933, 1927, 1921, 1907, 1903
1711 W WALNUT AVE	2013, 2008, 2000, 1995, 1992, 1991, 1989, 1985, 1984, 1980, 1976, 1975, 1971, 1970, 1966, 1965, 1962, 1961, 1956, 1952, 1950, 1948, 1943, 1940, 1938, 1933, 1927, 1921, 1907, 1903
1711 WALNUT AVE W	2013, 2008, 2006, 2000, 1995, 1992, 1991, 1989, 1985, 1976, 1971, 1965, 1962, 1960, 1956, 1955, 1950, 1945, 1943, 1940, 1938, 1933, 1927, 1921, 1907, 1903
1712 GLENWOOD DR	2013, 2008, 1995, 1992, 1991, 1989, 1985, 1976, 1971, 1965, 1962, 1960, 1956, 1950, 1940, 1907, 1903
1715 GLENWOOD DR	2013, 2008, 2006, 2000, 1995, 1992, 1991, 1989, 1985, 1976, 1971, 1965, 1962, 1956, 1950, 1945, 1940, 1938, 1933, 1927, 1921, 1907, 1903
1716 GLENWOOD DR	2013, 2008, 1995, 1991, 1985, 1976, 1971, 1965, 1962, 1956, 1950, 1940, 1907, 1903

FINDINGS

Address Researched

Address Not Identified in Research Source

1717 W WALNUT AVE	2013, 2008, 2000, 1995, 1992, 1991, 1985, 1984, 1980, 1976, 1975, 1971, 1970, 1966, 1965, 1962, 1961, 1956, 1952, 1950, 1948, 1945, 1943, 1940, 1938, 1933, 1927, 1921, 1907, 1903
1717 WALNUT AVE W	2013, 2008, 2006, 1995, 1992, 1991, 1989, 1985, 1976, 1971, 1965, 1962, 1960, 1956, 1955, 1950, 1945, 1940, 1921, 1907, 1903
1719 W WALNUT AVE	2013, 2008, 2000, 1995, 1992, 1991, 1989, 1985, 1984, 1980, 1976, 1975, 1971, 1970, 1966, 1965, 1962, 1961, 1960, 1956, 1955, 1952, 1950, 1948, 1945, 1943, 1940, 1938, 1933, 1927, 1921, 1907, 1903
1719 WALNUT AVE W	2013, 2008, 2006, 1995, 1992, 1991, 1989, 1985, 1976, 1971, 1965, 1962, 1961, 1960, 1956, 1955, 1952, 1950, 1948, 1945, 1943, 1940, 1938, 1933, 1927, 1921, 1907, 1903
1720 GLENWOOD DR	2013, 2008, 2006, 2000, 1995, 1992, 1991, 1989, 1985, 1984, 1980, 1976, 1975, 1971, 1970, 1965, 1962, 1956, 1950, 1940, 1921, 1907, 1903
1722 GLENWOOD DR	2013, 2008, 2006, 2000, 1995, 1992, 1991, 1989, 1985, 1984, 1980, 1976, 1975, 1971, 1970, 1965, 1962, 1960, 1956, 1950, 1945, 1940, 1921, 1907, 1903
1724 GLENWOOD DR	2013, 2008, 2006, 2000, 1995, 1992, 1991, 1989, 1985, 1984, 1980, 1976, 1975, 1971, 1970, 1965, 1962, 1960, 1956, 1950, 1945, 1940, 1921, 1907, 1903
1730 GLENWOOD DR	2013, 2008, 2006, 2000, 1995, 1992, 1991, 1989, 1985, 1984, 1980, 1976, 1975, 1971, 1970, 1965, 1962, 1956, 1952, 1950, 1948, 1945, 1943, 1940, 1938, 1933, 1927, 1921, 1907, 1903
1732 GLENWOOD DR	2013, 2008, 2006, 2000, 1995, 1992, 1991, 1989, 1985, 1984, 1980, 1976, 1975, 1971, 1970, 1965, 1962, 1956, 1952, 1950, 1948, 1945, 1943, 1940, 1938, 1933, 1927, 1921, 1907, 1903
1734 GLENWOOD DR	2013, 2008, 2006, 2000, 1995, 1992, 1991, 1989, 1985, 1984, 1980, 1976, 1975, 1971, 1970, 1965, 1962, 1956, 1952, 1950, 1948, 1945, 1943, 1940, 1938, 1933, 1927, 1921, 1907, 1903
1736 GLENWOOD DR	2013, 2008, 2006, 2000, 1995, 1992, 1991, 1989, 1985, 1984, 1980, 1976, 1975, 1971, 1970, 1965, 1962, 1956, 1952, 1950, 1948, 1945, 1943, 1940, 1938, 1933, 1927, 1921, 1907, 1903
1738 GLENWOOD DR	2013, 2008, 2006, 2000, 1995, 1992, 1991, 1989, 1985, 1984, 1980, 1976, 1975, 1971, 1970, 1965, 1962, 1960, 1956, 1955, 1952, 1950, 1948, 1945, 1943, 1940, 1938, 1933, 1927, 1921, 1907, 1903
1740 GLENWOOD DR	2013, 2008, 2006, 2000, 1995, 1992, 1991, 1989, 1985, 1984, 1980, 1976, 1975, 1971, 1970, 1965, 1962, 1956, 1952, 1950, 1948, 1945, 1943, 1940, 1938, 1933, 1927, 1921, 1907, 1903
1949 W WALNUT AVE	2013, 2008, 2000, 1995, 1991, 1989, 1985, 1984, 1980, 1976, 1975, 1971, 1970, 1966, 1965, 1962, 1961, 1960, 1956, 1955, 1952, 1950, 1948, 1945, 1943, 1940, 1938, 1933, 1927, 1921, 1907, 1903
1949 W WALNUT AVE	2006, 2000, 1995, 1992, 1991, 1989, 1985, 1984, 1980, 1976, 1975, 1971, 1970, 1966, 1965, 1962, 1961, 1960, 1956, 1955, 1952, 1950, 1948, 1945, 1943, 1940, 1938, 1933, 1927, 1921, 1907, 1903
1949 WALNUT AVE W	2013, 2008, 2006, 1995, 1992, 1991, 1989, 1985, 1976, 1971, 1965, 1962, 1961, 1960, 1956, 1955, 1952, 1950, 1948, 1945, 1943, 1940, 1938, 1933, 1927, 1921, 1907, 1903
3395 PACIFIC HWY	2013, 2008, 2006, 2000, 1995, 1992, 1991, 1989, 1985, 1984, 1980, 1976, 1975, 1971, 1970, 1966, 1965, 1962, 1960, 1956, 1955, 1950, 1948, 1945, 1943, 1940, 1938, 1933, 1927, 1921, 1907, 1903
3401 PACIFIC	2013, 2008, 2006, 2000, 1995, 1992, 1991, 1989, 1985, 1984, 1980, 1976, 1975, 1971, 1970, 1966, 1965, 1962, 1961, 1956, 1952, 1950, 1948, 1945, 1943, 1940, 1938, 1933, 1927, 1921, 1907, 1903

FINDINGS

<u>Address Researched</u>	<u>Address Not Identified in Research Source</u>
3401 PACIFIC BLVD	2013, 2008, 2006, 2000, 1995, 1992, 1991, 1989, 1985, 1984, 1980, 1976, 1975, 1971, 1970, 1966, 1965, 1962, 1961, 1960, 1956, 1955, 1952, 1950, 1948, 1945, 1943, 1940, 1933, 1927, 1921, 1907, 1903
3401 PACIFIC HWY	2013, 2008, 2006, 2000, 1995, 1992, 1991, 1989, 1985, 1984, 1980, 1976, 1975, 1971, 1970, 1966, 1965, 1962, 1961, 1960, 1956, 1955, 1950, 1948, 1940, 1938, 1933, 1927, 1921, 1907, 1903
3405 PACIFIC HWY	2013, 2008, 1995, 1992, 1991, 1989, 1985, 1984, 1980, 1976, 1975, 1971, 1970, 1966, 1965, 1962, 1961, 1960, 1956, 1955, 1952, 1950, 1948, 1945, 1943, 1940, 1938, 1933, 1927, 1921, 1907, 1903
3405 PACIFIC HWY	2006, 2000, 1995, 1992, 1991, 1989, 1985, 1984, 1980, 1976, 1975, 1971, 1970, 1966, 1965, 1962, 1961, 1960, 1956, 1955, 1952, 1950, 1948, 1945, 1943, 1940, 1938, 1933, 1927, 1921, 1907, 1903
3420 KETTNER BLVD	2006, 2000, 1995, 1992, 1991, 1989, 1985, 1984, 1980, 1976, 1975, 1971, 1970, 1966, 1965, 1962, 1961, 1960, 1956, 1955, 1952, 1950, 1948, 1945, 1943, 1940, 1938, 1933, 1927, 1921, 1907, 1903
3420 KETTNER BLVD	2013, 2008, 1995, 1992, 1989, 1985, 1976, 1971, 1965, 1962, 1956, 1950, 1945, 1943, 1940, 1938, 1933, 1927, 1921, 1907, 1903
3433 KETTNER BLVD	2013, 2008, 2006, 2000, 1995, 1992, 1991, 1989, 1985, 1984, 1980, 1976, 1975, 1971, 1970, 1966, 1965, 1962, 1956, 1950, 1945, 1943, 1940, 1938, 1933, 1927, 1921, 1907, 1903
3441 KETTNER BLVD	2013, 2008, 2006, 2000, 1995, 1992, 1991, 1989, 1985, 1984, 1980, 1976, 1975, 1971, 1970, 1966, 1965, 1962, 1956, 1955, 1950, 1945, 1943, 1940, 1921, 1907, 1903
3443 INDIA ST	2013, 2008, 1995, 1992, 1991, 1985, 1976, 1975, 1971, 1970, 1966, 1965, 1962, 1961, 1960, 1956, 1955, 1952, 1950, 1948, 1945, 1943, 1940, 1938, 1933, 1927, 1921, 1907, 1903
3443 INDIA ST	2006, 2000, 1995, 1992, 1991, 1989, 1985, 1984, 1980, 1976, 1975, 1971, 1970, 1966, 1965, 1962, 1961, 1960, 1956, 1955, 1952, 1950, 1948, 1945, 1943, 1940, 1938, 1933, 1927, 1921, 1907, 1903
3444 KETTNER BLVD	2013, 2008, 2006, 1995, 1992, 1991, 1989, 1985, 1984, 1980, 1976, 1971, 1970, 1965, 1962, 1960, 1956, 1950, 1945, 1940, 1938, 1927, 1921, 1907, 1903
3449 CALIFORNIA ST	2013, 2008, 2006, 2000, 1995, 1992, 1991, 1989, 1985, 1984, 1980, 1976, 1975, 1971, 1970, 1966, 1965, 1962, 1961, 1960, 1956, 1955, 1950, 1945, 1940, 1927, 1921, 1907, 1903
3452 KETTNER BLVD	2013, 2008, 2006, 2000, 1995, 1992, 1991, 1989, 1985, 1984, 1980, 1976, 1975, 1971, 1970, 1965, 1962, 1960, 1956, 1955, 1950, 1940, 1927, 1921, 1907, 1903
3453 KETTNER BLVD	2013, 2008, 2006, 2000, 1995, 1992, 1991, 1989, 1985, 1984, 1980, 1976, 1975, 1971, 1970, 1966, 1965, 1962, 1956, 1955, 1952, 1950, 1948, 1945, 1943, 1940, 1938, 1933, 1927, 1921, 1907, 1903
3455 KETTNER BLVD	2013, 2008, 2006, 2000, 1995, 1992, 1991, 1989, 1985, 1984, 1980, 1976, 1975, 1971, 1970, 1966, 1965, 1962, 1956, 1950, 1945, 1940, 1921, 1907, 1903
3456 KETTNER BLVD	2013, 2008, 2006, 2000, 1995, 1992, 1991, 1989, 1985, 1984, 1980, 1976, 1975, 1971, 1970, 1965, 1962, 1960, 1956, 1955, 1950, 1945, 1943, 1940, 1938, 1933, 1927, 1921, 1907, 1903
3460 INDIA ST	2013, 2008, 2006, 2000, 1995, 1992, 1991, 1989, 1985, 1984, 1980, 1976, 1975, 1971, 1970, 1966, 1965, 1962, 1961, 1960, 1956, 1955, 1952, 1950, 1945, 1940, 1933, 1927, 1921, 1907, 1903
3462 INDIA ST	2013, 2008, 2006, 2000, 1995, 1992, 1991, 1989, 1985, 1984, 1980, 1976, 1975, 1971, 1970, 1966, 1965, 1962, 1961, 1960, 1956, 1955, 1952, 1950, 1945, 1940, 1927, 1921, 1907, 1903

FINDINGS

Address Researched

Address Not Identified in Research Source

3464 INDIA ST	2013, 2008, 2006, 2000, 1995, 1992, 1991, 1989, 1985, 1984, 1980, 1976, 1975, 1971, 1970, 1966, 1965, 1962, 1961, 1960, 1956, 1955, 1952, 1950, 1945, 1940, 1927, 1921, 1907, 1903
3465 KETTNER BLVD	2013, 2008, 2006, 2000, 1995, 1992, 1991, 1989, 1985, 1984, 1980, 1976, 1975, 1971, 1970, 1966, 1965, 1962, 1956, 1950, 1940, 1921, 1907, 1903
3466 INDIA ST	2013, 2008, 2006, 2000, 1995, 1992, 1991, 1989, 1985, 1984, 1980, 1976, 1975, 1971, 1970, 1966, 1965, 1962, 1961, 1960, 1956, 1955, 1952, 1950, 1945, 1940, 1927, 1921, 1907, 1903
3466 KETTNER BLVD	2013, 2008, 2006, 2000, 1995, 1992, 1991, 1989, 1985, 1984, 1980, 1976, 1975, 1971, 1970, 1966, 1965, 1962, 1961, 1960, 1956, 1950, 1945, 1940, 1927, 1921, 1907, 1903
3467 KETTNER BLVD	2013, 2008, 2006, 2000, 1995, 1992, 1991, 1989, 1985, 1984, 1980, 1976, 1975, 1971, 1970, 1966, 1965, 1962, 1960, 1956, 1950, 1945, 1940, 1938, 1933, 1927, 1921, 1907, 1903
3468 INDIA	2013, 2008, 2006, 2000, 1995, 1992, 1991, 1989, 1985, 1984, 1980, 1976, 1975, 1971, 1970, 1966, 1965, 1962, 1961, 1956, 1952, 1950, 1948, 1945, 1943, 1940, 1938, 1933, 1927, 1921, 1907, 1903
3468 INDIA ST	2013, 2008, 2006, 2000, 1995, 1992, 1991, 1989, 1985, 1984, 1980, 1976, 1975, 1971, 1970, 1966, 1965, 1962, 1960, 1956, 1955, 1950, 1945, 1940, 1927, 1921, 1907, 1903
3468 KETTNER BLVD	2013, 2008, 2006, 2000, 1995, 1992, 1991, 1989, 1985, 1984, 1980, 1976, 1975, 1971, 1970, 1966, 1965, 1962, 1961, 1960, 1956, 1955, 1950, 1948, 1945, 1943, 1940, 1938, 1933, 1927, 1921, 1907, 1903
3469 KETTNER BLVD	2013, 2008, 2006, 2000, 1995, 1992, 1991, 1989, 1985, 1984, 1980, 1976, 1975, 1971, 1970, 1966, 1965, 1962, 1960, 1956, 1950, 1940, 1938, 1933, 1927, 1921, 1907, 1903
3471 KETTNER BLVD	2013, 2008, 2006, 2000, 1995, 1992, 1991, 1989, 1985, 1984, 1980, 1976, 1975, 1971, 1970, 1966, 1965, 1962, 1960, 1956, 1955, 1950, 1945, 1940, 1938, 1933, 1927, 1921, 1907, 1903
3472 INDIA ST	2013, 2008, 2006, 2000, 1995, 1992, 1991, 1989, 1985, 1984, 1980, 1976, 1975, 1971, 1970, 1966, 1965, 1962, 1961, 1960, 1956, 1955, 1952, 1950, 1945, 1940, 1927, 1921, 1907, 1903
3473 KETTNER BLVD	2013, 2008, 2006, 2000, 1995, 1992, 1991, 1989, 1985, 1984, 1980, 1976, 1975, 1971, 1970, 1966, 1965, 1962, 1960, 1956, 1950, 1945, 1940, 1938, 1933, 1927, 1921, 1907, 1903
3500 KETTNER BLVD	2013, 2008, 2006, 2000, 1995, 1992, 1991, 1989, 1985, 1984, 1980, 1976, 1975, 1971, 1970, 1966, 1965, 1962, 1961, 1960, 1956, 1955, 1952, 1950, 1948, 1945, 1943, 1940, 1938, 1933, 1927, 1921, 1907, 1903
3500 KETTNER BLVD	2013, 2006, 2000, 1995, 1992, 1991, 1989, 1985, 1984, 1980, 1976, 1975, 1971, 1970, 1966, 1965, 1962, 1961, 1960, 1956, 1955, 1952, 1950, 1948, 1945, 1943, 1940, 1938, 1933, 1927, 1921, 1907, 1903
3501 KETTNER BLVD	2013, 2008, 2006, 2000, 1995, 1992, 1991, 1989, 1985, 1984, 1980, 1976, 1975, 1971, 1970, 1966, 1965, 1962, 1956, 1952, 1950, 1948, 1945, 1943, 1940, 1938, 1933, 1927, 1921, 1907, 1903
3502 CALIFORNIA	2013, 2008, 2006, 2000, 1995, 1992, 1991, 1989, 1985, 1984, 1980, 1976, 1975, 1971, 1970, 1966, 1965, 1962, 1961, 1960, 1956, 1955, 1952, 1950, 1948, 1945, 1943, 1940, 1938, 1933, 1927, 1907, 1903
3503 INDIA	2013, 2008, 2006, 2000, 1995, 1992, 1991, 1989, 1985, 1984, 1980, 1976, 1975, 1971, 1970, 1966, 1965, 1962, 1961, 1956, 1952, 1950, 1948, 1943, 1940, 1938, 1933, 1927, 1921, 1907, 1903
3503 INDIA ST	2013, 2008, 1995, 1992, 1991, 1989, 1985, 1976, 1971, 1965, 1962, 1960, 1956, 1955, 1950, 1945, 1940, 1938, 1933, 1927, 1921, 1907, 1903

FINDINGS

Address Researched

Address Not Identified in Research Source

3503 KETTNER BLVD	2013, 2008, 2006, 2000, 1995, 1992, 1991, 1989, 1985, 1984, 1980, 1976, 1975, 1971, 1970, 1966, 1965, 1962, 1960, 1956, 1952, 1950, 1948, 1945, 1943, 1940, 1938, 1933, 1927, 1921, 1907, 1903
3504 COLUMBIA PL	2013, 2008, 2006, 2000, 1995, 1992, 1991, 1989, 1985, 1984, 1980, 1976, 1975, 1971, 1970, 1966, 1965, 1962, 1961, 1960, 1956, 1955, 1952, 1950, 1948, 1945, 1940, 1933, 1921, 1907, 1903
3504 COLUMBIA ST	2013, 2008, 1995, 1991, 1985, 1976, 1971, 1965, 1962, 1956, 1950, 1943, 1940, 1938, 1927, 1921, 1907, 1903
3505 COLUMBIA ST	2013, 2008, 1995, 1992, 1991, 1985, 1976, 1971, 1965, 1962, 1956, 1952, 1950, 1948, 1945, 1943, 1940, 1938, 1933, 1927, 1921, 1907, 1903
3505 INDIA	2013, 2008, 2006, 2000, 1995, 1992, 1991, 1989, 1985, 1984, 1980, 1976, 1975, 1971, 1970, 1966, 1965, 1962, 1961, 1960, 1956, 1952, 1950, 1948, 1943, 1940, 1938, 1933, 1927, 1921, 1907, 1903
3505 INDIA ST	2013, 2008, 1995, 1992, 1991, 1985, 1976, 1971, 1965, 1962, 1960, 1956, 1955, 1950, 1945, 1940, 1938, 1933, 1927, 1921, 1907, 1903
3505 INDIA ST	2013, 2006, 2000, 1995, 1992, 1991, 1989, 1985, 1984, 1980, 1976, 1975, 1971, 1970, 1966, 1965, 1962, 1961, 1960, 1956, 1955, 1952, 1950, 1948, 1945, 1943, 1940, 1938, 1933, 1927, 1921, 1907, 1903
3505 KETTNER BLVD	2013, 2008, 2006, 2000, 1995, 1992, 1991, 1989, 1985, 1984, 1980, 1976, 1975, 1971, 1970, 1966, 1965, 1962, 1956, 1950, 1945, 1940, 1938, 1933, 1927, 1921, 1907, 1903
3506 CALIFORNIA	2013, 2008, 2006, 2000, 1995, 1992, 1991, 1989, 1985, 1984, 1980, 1976, 1975, 1971, 1970, 1966, 1965, 1962, 1961, 1960, 1956, 1955, 1952, 1950, 1948, 1945, 1943, 1940, 1938, 1933, 1927, 1907, 1903
3506 COLUMBIA ST	2013, 2008, 2006, 1995, 1992, 1991, 1985, 1976, 1975, 1971, 1970, 1966, 1965, 1962, 1961, 1960, 1956, 1955, 1952, 1950, 1948, 1945, 1943, 1940, 1938, 1933, 1927, 1921, 1907, 1903
3507 INDIA	2013, 2008, 2006, 2000, 1995, 1992, 1991, 1989, 1985, 1984, 1980, 1976, 1975, 1971, 1970, 1966, 1965, 1962, 1961, 1956, 1955, 1952, 1950, 1948, 1943, 1940, 1938, 1933, 1927, 1921, 1907, 1903
3507 INDIA ST	2013, 2008, 1995, 1992, 1991, 1989, 1985, 1976, 1971, 1965, 1962, 1960, 1956, 1955, 1950, 1945, 1940, 1938, 1933, 1927, 1921, 1907, 1903
3507 KETTNER BLVD	2013, 2008, 2006, 2000, 1995, 1992, 1991, 1989, 1985, 1984, 1980, 1976, 1975, 1971, 1970, 1966, 1965, 1962, 1960, 1956, 1955, 1950, 1945, 1940, 1938, 1933, 1927, 1921, 1907, 1903
3509 COLUMBIA ST	2013, 2008, 2006, 2000, 1995, 1991, 1985, 1976, 1971, 1965, 1962, 1960, 1956, 1955, 1950, 1948, 1945, 1943, 1940, 1938, 1933, 1927, 1921, 1907, 1903
3509 INDIA	2013, 2008, 2006, 2000, 1995, 1992, 1991, 1989, 1985, 1984, 1980, 1976, 1975, 1971, 1970, 1966, 1965, 1962, 1961, 1960, 1956, 1952, 1950, 1948, 1945, 1943, 1940, 1938, 1933, 1927, 1921, 1907, 1903
3509 INDIA ST	2013, 2008, 1995, 1992, 1991, 1985, 1976, 1971, 1965, 1962, 1960, 1956, 1955, 1950, 1945, 1940, 1938, 1933, 1927, 1921, 1907, 1903
3509 KETTNER BLVD	2013, 2008, 2006, 2000, 1995, 1992, 1991, 1989, 1985, 1984, 1980, 1976, 1975, 1971, 1970, 1966, 1965, 1962, 1960, 1956, 1950, 1945, 1940, 1938, 1933, 1927, 1921, 1907, 1903
3510 COLUMBIA ST	2013, 2008, 2006, 2000, 1995, 1992, 1991, 1989, 1985, 1976, 1971, 1965, 1962, 1960, 1956, 1950, 1948, 1945, 1943, 1940, 1938, 1933, 1927, 1921, 1907, 1903
3511 INDIA	2013, 2008, 2006, 2000, 1995, 1991, 1989, 1985, 1984, 1980, 1976, 1975, 1971, 1970, 1966, 1965, 1962, 1961, 1956, 1955, 1952, 1950, 1948, 1945, 1943, 1940, 1938, 1933, 1927, 1921, 1907, 1903

FINDINGS

Address Researched

Address Not Identified in Research Source

3511 INDIA ST	2013, 2008, 1995, 1992, 1991, 1985, 1976, 1971, 1965, 1962, 1960, 1956, 1955, 1952, 1950, 1948, 1945, 1943, 1940, 1938, 1933, 1927, 1921, 1907, 1903
3511 INDIA ST	2006, 2000, 1995, 1992, 1991, 1989, 1985, 1984, 1980, 1976, 1975, 1971, 1970, 1966, 1965, 1962, 1961, 1960, 1956, 1955, 1952, 1950, 1948, 1945, 1943, 1940, 1938, 1933, 1927, 1921, 1907, 1903
3511 KETTNER BLVD	2013, 2008, 2006, 2000, 1995, 1992, 1991, 1989, 1985, 1984, 1980, 1976, 1975, 1971, 1970, 1966, 1965, 1962, 1960, 1956, 1955, 1950, 1945, 1940, 1938, 1933, 1927, 1921, 1907, 1903
3512 COLUMBIA ST	2013, 2008, 1995, 1991, 1985, 1976, 1971, 1965, 1962, 1960, 1956, 1950, 1948, 1945, 1943, 1940, 1938, 1933, 1927, 1921, 1907, 1903
3512 INDIA	2013, 2008, 2006, 2000, 1995, 1992, 1991, 1989, 1985, 1984, 1980, 1976, 1975, 1971, 1970, 1966, 1965, 1962, 1961, 1956, 1952, 1950, 1948, 1943, 1940, 1938, 1933, 1927, 1921, 1907, 1903
3512 INDIA ST	2013, 2008, 2006, 2000, 1995, 1992, 1991, 1989, 1985, 1984, 1980, 1976, 1975, 1971, 1970, 1966, 1965, 1962, 1960, 1956, 1955, 1950, 1945, 1940, 1927, 1921, 1907, 1903
3513 COLUMBIA ST	2013, 2008, 2006, 1995, 1991, 1985, 1976, 1971, 1965, 1962, 1956, 1950, 1948, 1945, 1943, 1940, 1938, 1933, 1927, 1921, 1907, 1903
3513 KETTNER BLVD	2013, 2008, 2006, 2000, 1995, 1992, 1991, 1989, 1985, 1984, 1980, 1976, 1975, 1971, 1970, 1966, 1965, 1962, 1960, 1956, 1955, 1950, 1945, 1940, 1938, 1933, 1927, 1921, 1907, 1903
3514 INDIA	2013, 2008, 2006, 2000, 1995, 1992, 1991, 1989, 1985, 1984, 1980, 1976, 1975, 1971, 1970, 1966, 1965, 1962, 1961, 1956, 1952, 1950, 1948, 1945, 1943, 1940, 1938, 1933, 1927, 1921, 1907, 1903
3514 INDIA ST	2013, 2008, 2006, 2000, 1995, 1992, 1991, 1989, 1985, 1984, 1980, 1976, 1975, 1971, 1970, 1966, 1965, 1962, 1960, 1956, 1955, 1950, 1945, 1940, 1938, 1927, 1921, 1907, 1903
3515 COLUMBIA	2013, 2008, 2006, 2000, 1995, 1992, 1991, 1989, 1985, 1984, 1980, 1976, 1975, 1971, 1970, 1966, 1965, 1962, 1961, 1960, 1956, 1955, 1952, 1950, 1948, 1945, 1943, 1940, 1938, 1933, 1927, 1907, 1903
3515 COLUMBIA PL	2013, 2008, 2006, 2000, 1995, 1992, 1991, 1989, 1985, 1984, 1980, 1976, 1975, 1971, 1970, 1966, 1965, 1962, 1961, 1960, 1956, 1955, 1952, 1950, 1948, 1945, 1940, 1933, 1921, 1907, 1903
3515 COLUMBIA ST	2013, 2008, 2006, 1995, 1992, 1991, 1985, 1976, 1971, 1965, 1962, 1960, 1956, 1955, 1950, 1945, 1943, 1940, 1938, 1927, 1921, 1907, 1903
3515 KETTNER BLVD	2013, 2008, 2006, 2000, 1995, 1992, 1991, 1989, 1985, 1984, 1980, 1976, 1975, 1971, 1970, 1966, 1965, 1962, 1956, 1955, 1950, 1945, 1940, 1938, 1933, 1927, 1921, 1907, 1903
3516 COLUMBIA ST	2013, 2008, 2006, 1995, 1991, 1985, 1976, 1971, 1965, 1962, 1956, 1952, 1950, 1948, 1945, 1943, 1940, 1938, 1933, 1927, 1921, 1907, 1903
3517 COLUMBIA	2013, 2008, 2006, 2000, 1995, 1992, 1991, 1989, 1985, 1984, 1980, 1976, 1975, 1971, 1970, 1966, 1965, 1962, 1961, 1960, 1956, 1955, 1952, 1950, 1948, 1945, 1943, 1940, 1938, 1933, 1927, 1907, 1903
3517 COLUMBIA PL	2013, 2008, 2006, 2000, 1995, 1992, 1991, 1989, 1985, 1984, 1980, 1976, 1975, 1971, 1970, 1966, 1965, 1962, 1961, 1960, 1956, 1955, 1952, 1950, 1948, 1945, 1940, 1933, 1921, 1907, 1903
3517 COLUMBIA ST	2013, 2008, 2006, 1995, 1992, 1991, 1989, 1985, 1976, 1971, 1965, 1962, 1956, 1955, 1950, 1945, 1943, 1940, 1938, 1927, 1921, 1907, 1903
3517 KETTNER BLVD	2013, 2008, 2006, 2000, 1995, 1992, 1991, 1989, 1985, 1984, 1980, 1976, 1975, 1971, 1970, 1966, 1965, 1962, 1956, 1955, 1950, 1940, 1938, 1933, 1927, 1921, 1907, 1903

FINDINGS

Address Researched

Address Not Identified in Research Source

3518 COLUMBIA ST	2013, 2008, 2006, 1995, 1992, 1991, 1989, 1985, 1976, 1971, 1965, 1962, 1956, 1955, 1952, 1950, 1948, 1945, 1943, 1940, 1938, 1933, 1927, 1921, 1907, 1903
3518 KETTNER BLVD	2013, 2008, 2006, 2000, 1995, 1992, 1991, 1989, 1985, 1984, 1980, 1976, 1975, 1971, 1970, 1966, 1965, 1962, 1961, 1960, 1956, 1955, 1952, 1950, 1945, 1943, 1940, 1938, 1933, 1927, 1921, 1907, 1903
3519 COLUMBIA ST	2013, 2008, 2006, 1995, 1992, 1991, 1985, 1976, 1971, 1965, 1962, 1960, 1956, 1950, 1948, 1945, 1943, 1940, 1938, 1933, 1927, 1921, 1907, 1903
3519 INDIA	2013, 2008, 2006, 2000, 1995, 1992, 1991, 1989, 1985, 1984, 1980, 1976, 1975, 1971, 1970, 1966, 1965, 1962, 1961, 1956, 1952, 1950, 1948, 1943, 1940, 1938, 1933, 1927, 1921, 1907, 1903
3519 INDIA ST	2013, 2008, 2006, 1995, 1992, 1991, 1989, 1985, 1976, 1971, 1965, 1962, 1960, 1956, 1955, 1950, 1945, 1940, 1921, 1907, 1903
3519 KETTNER BLVD	2013, 2008, 2006, 2000, 1995, 1992, 1991, 1989, 1985, 1984, 1980, 1976, 1975, 1971, 1970, 1966, 1965, 1962, 1960, 1956, 1950, 1948, 1940, 1938, 1933, 1927, 1921, 1907, 1903
3520 COLUMBIA ST	2013, 2008, 2006, 1995, 1992, 1991, 1989, 1985, 1976, 1971, 1965, 1962, 1960, 1956, 1952, 1950, 1948, 1945, 1943, 1940, 1938, 1933, 1927, 1921, 1907, 1903
3521 COLUMBIA PL	2013, 2008, 2006, 2000, 1995, 1992, 1991, 1989, 1985, 1984, 1980, 1976, 1975, 1971, 1970, 1966, 1965, 1962, 1961, 1960, 1956, 1955, 1952, 1950, 1948, 1945, 1940, 1938, 1933, 1927, 1921, 1907, 1903
3521 COLUMBIA ST	2013, 2008, 2006, 2000, 1995, 1992, 1991, 1989, 1985, 1976, 1971, 1965, 1962, 1960, 1956, 1950, 1945, 1943, 1940, 1938, 1933, 1927, 1921, 1907, 1903
3521 INDIA	2013, 2008, 2006, 2000, 1995, 1992, 1991, 1989, 1985, 1984, 1980, 1976, 1975, 1971, 1970, 1966, 1965, 1962, 1961, 1956, 1955, 1952, 1950, 1948, 1945, 1943, 1940, 1938, 1933, 1927, 1921, 1907, 1903
3521 INDIA ST	2013, 2008, 2006, 1995, 1992, 1991, 1989, 1985, 1976, 1971, 1965, 1962, 1960, 1956, 1955, 1952, 1950, 1948, 1945, 1943, 1940, 1938, 1933, 1927, 1921, 1907, 1903
3521 KETTNER BLVD	2013, 2008, 2006, 2000, 1995, 1992, 1991, 1989, 1985, 1984, 1980, 1976, 1975, 1971, 1970, 1966, 1965, 1962, 1960, 1956, 1950, 1945, 1940, 1933, 1927, 1921, 1907, 1903
3521 PACIFIC HWY	2013, 2008, 2006, 2000, 1995, 1992, 1991, 1989, 1985, 1984, 1980, 1976, 1975, 1971, 1970, 1966, 1965, 1962, 1961, 1960, 1956, 1955, 1950, 1945, 1943, 1940, 1938, 1933, 1927, 1921, 1907, 1903
3523 COLUMBIA ST	2013, 2008, 2006, 2000, 1995, 1992, 1991, 1989, 1985, 1976, 1971, 1965, 1962, 1956, 1955, 1950, 1945, 1943, 1940, 1938, 1933, 1927, 1921, 1907, 1903
3523 INDIA	2013, 2008, 2006, 2000, 1995, 1992, 1991, 1989, 1985, 1984, 1980, 1976, 1975, 1971, 1970, 1966, 1965, 1962, 1961, 1960, 1956, 1952, 1950, 1948, 1945, 1943, 1940, 1938, 1933, 1927, 1921, 1907, 1903
3523 INDIA ST	2013, 2008, 2006, 1995, 1992, 1991, 1989, 1985, 1976, 1971, 1965, 1962, 1960, 1956, 1955, 1952, 1950, 1948, 1945, 1943, 1940, 1938, 1933, 1927, 1921, 1907, 1903
3523 KETTNER BLVD	2013, 2008, 2006, 2000, 1995, 1992, 1991, 1989, 1985, 1984, 1980, 1976, 1975, 1971, 1970, 1966, 1965, 1962, 1960, 1956, 1955, 1950, 1945, 1940, 1938, 1933, 1927, 1921, 1907, 1903
3525 COLUMBIA PL	2013, 2008, 2006, 2000, 1995, 1992, 1991, 1989, 1985, 1984, 1980, 1976, 1975, 1971, 1970, 1966, 1965, 1962, 1961, 1960, 1956, 1955, 1952, 1950, 1948, 1945, 1940, 1938, 1933, 1927, 1921, 1907, 1903
3525 COLUMBIA ST	2013, 2008, 2006, 2000, 1995, 1991, 1989, 1985, 1976, 1971, 1965, 1962, 1956, 1955, 1950, 1943, 1940, 1938, 1933, 1927, 1921, 1907, 1903

FINDINGS

<u>Address Researched</u>	<u>Address Not Identified in Research Source</u>
3525 INDIA	2013, 2008, 2006, 2000, 1995, 1992, 1991, 1989, 1985, 1984, 1980, 1976, 1975, 1971, 1970, 1966, 1965, 1962, 1961, 1956, 1955, 1952, 1950, 1948, 1945, 1943, 1940, 1938, 1933, 1927, 1921, 1907, 1903
3525 INDIA ST	2013, 2008, 2006, 2000, 1995, 1992, 1991, 1989, 1985, 1984, 1980, 1976, 1975, 1971, 1970, 1965, 1962, 1960, 1956, 1955, 1950, 1945, 1940, 1938, 1933, 1927, 1921, 1907, 1903
3526 INDIA	2013, 2008, 2006, 2000, 1995, 1992, 1991, 1989, 1985, 1984, 1980, 1976, 1975, 1971, 1970, 1966, 1965, 1962, 1961, 1956, 1952, 1950, 1948, 1945, 1943, 1940, 1938, 1933, 1927, 1921, 1907, 1903
3526 INDIA ST	2013, 2008, 2006, 2000, 1995, 1992, 1991, 1989, 1985, 1984, 1980, 1976, 1975, 1971, 1970, 1966, 1965, 1962, 1960, 1956, 1955, 1950, 1948, 1945, 1943, 1940, 1938, 1933, 1927, 1921, 1907, 1903
3526 KETTNER BLVD	2013, 2008, 2006, 1995, 1992, 1991, 1989, 1985, 1984, 1980, 1976, 1975, 1971, 1966, 1965, 1962, 1961, 1960, 1956, 1955, 1952, 1950, 1948, 1945, 1943, 1940, 1938, 1933, 1927, 1921, 1907, 1903
3527 INDIA	2013, 2008, 2006, 2000, 1995, 1992, 1991, 1989, 1985, 1984, 1980, 1976, 1975, 1971, 1970, 1966, 1965, 1962, 1961, 1956, 1952, 1950, 1948, 1945, 1943, 1940, 1938, 1933, 1927, 1921, 1907, 1903
3527 INDIA ST	2013, 2008, 2006, 2000, 1995, 1992, 1991, 1989, 1985, 1984, 1980, 1976, 1975, 1971, 1970, 1965, 1962, 1960, 1956, 1955, 1950, 1945, 1940, 1938, 1933, 1927, 1921, 1907, 1903
3527 KETTNER BLVD	2013, 2008, 2006, 2000, 1995, 1992, 1991, 1989, 1985, 1984, 1980, 1976, 1975, 1971, 1970, 1966, 1965, 1962, 1960, 1956, 1955, 1950, 1945, 1940, 1927, 1921, 1907, 1903
3528 COLUMBIA PL	2013, 2008, 2006, 2000, 1995, 1992, 1991, 1989, 1985, 1984, 1980, 1976, 1975, 1971, 1970, 1966, 1965, 1962, 1961, 1960, 1956, 1955, 1952, 1950, 1948, 1945, 1940, 1933, 1921, 1907, 1903
3528 COLUMBIA ST	2013, 2008, 1995, 1991, 1985, 1976, 1971, 1965, 1962, 1960, 1956, 1955, 1950, 1943, 1940, 1938, 1927, 1921, 1907, 1903
3529 COLUMBIA ST	2013, 2008, 1995, 1992, 1991, 1985, 1984, 1980, 1976, 1975, 1971, 1970, 1966, 1965, 1962, 1961, 1960, 1956, 1955, 1952, 1950, 1948, 1945, 1943, 1940, 1938, 1933, 1927, 1921, 1907, 1903
3529 COLUMBIA ST	2013, 2006, 2000, 1995, 1992, 1991, 1989, 1985, 1984, 1980, 1976, 1975, 1971, 1970, 1966, 1965, 1962, 1961, 1960, 1956, 1955, 1952, 1950, 1948, 1945, 1943, 1940, 1938, 1933, 1927, 1921, 1907, 1903
3529 INDIA	2013, 2008, 2006, 2000, 1995, 1992, 1991, 1989, 1985, 1984, 1980, 1976, 1975, 1971, 1970, 1966, 1965, 1962, 1961, 1956, 1952, 1950, 1948, 1943, 1940, 1938, 1933, 1927, 1921, 1907, 1903
3529 INDIA ST	2013, 2008, 2006, 2000, 1995, 1992, 1991, 1989, 1985, 1984, 1980, 1976, 1975, 1971, 1970, 1965, 1962, 1960, 1956, 1955, 1950, 1945, 1940, 1933, 1927, 1921, 1907, 1903
3529 KETTNER BLVD	2013, 2008, 2006, 2000, 1995, 1992, 1991, 1989, 1985, 1984, 1980, 1976, 1975, 1971, 1970, 1966, 1965, 1962, 1960, 1956, 1955, 1950, 1948, 1945, 1943, 1940, 1938, 1933, 1927, 1921, 1907, 1903
3531 COLUMBIA	2013, 2008, 2006, 2000, 1995, 1992, 1991, 1989, 1985, 1984, 1980, 1976, 1975, 1971, 1970, 1966, 1965, 1962, 1961, 1960, 1956, 1955, 1952, 1950, 1948, 1945, 1943, 1940, 1938, 1933, 1927, 1907, 1903
3531 COLUMBIA AVE	2013, 2008, 2006, 2000, 1995, 1992, 1991, 1989, 1985, 1984, 1980, 1976, 1975, 1971, 1970, 1966, 1965, 1962, 1961, 1960, 1956, 1955, 1952, 1950, 1948, 1945, 1943, 1940, 1938, 1933, 1927, 1907, 1903

FINDINGS

Address Researched

Address Not Identified in Research Source

3531 COLUMBIA PL	2013, 2008, 2006, 2000, 1995, 1992, 1991, 1989, 1985, 1984, 1980, 1976, 1975, 1971, 1970, 1966, 1965, 1962, 1961, 1960, 1956, 1955, 1952, 1950, 1948, 1945, 1940, 1933, 1921, 1907, 1903
3531 COLUMBIA ST	2013, 2008, 1995, 1992, 1991, 1985, 1976, 1971, 1965, 1962, 1956, 1950, 1943, 1940, 1938, 1927, 1921, 1907, 1903
3531 KETTNER BLVD	2013, 2008, 2006, 2000, 1995, 1992, 1991, 1989, 1985, 1984, 1980, 1976, 1975, 1971, 1970, 1966, 1965, 1962, 1956, 1955, 1950, 1940, 1933, 1927, 1921, 1907, 1903
3533 COLUMBIA ST	2013, 2008, 1995, 1991, 1985, 1984, 1980, 1976, 1975, 1971, 1970, 1966, 1965, 1962, 1961, 1960, 1956, 1955, 1952, 1950, 1948, 1945, 1943, 1940, 1938, 1933, 1927, 1921, 1907, 1903
3533 INDIA ST	2013, 2008, 2006, 2000, 1995, 1992, 1991, 1989, 1985, 1984, 1980, 1976, 1975, 1971, 1970, 1965, 1962, 1960, 1956, 1955, 1952, 1950, 1948, 1945, 1943, 1940, 1938, 1933, 1927, 1921, 1907, 1903
3533 KETTNER BLVD	2013, 2008, 2006, 2000, 1995, 1992, 1991, 1989, 1985, 1984, 1980, 1976, 1975, 1971, 1970, 1966, 1965, 1962, 1960, 1956, 1950, 1945, 1940, 1933, 1927, 1921, 1907, 1903
3535 COLUMBIA	2013, 2008, 2006, 2000, 1995, 1992, 1991, 1989, 1985, 1984, 1980, 1976, 1975, 1971, 1970, 1966, 1965, 1962, 1961, 1960, 1956, 1955, 1952, 1950, 1948, 1945, 1943, 1940, 1938, 1933, 1927, 1907, 1903
3535 COLUMBIA PL	2013, 2008, 2006, 2000, 1995, 1992, 1991, 1989, 1985, 1984, 1980, 1976, 1975, 1971, 1970, 1966, 1965, 1962, 1961, 1960, 1956, 1955, 1952, 1950, 1948, 1945, 1940, 1933, 1921, 1907, 1903
3535 COLUMBIA ST	2013, 2008, 1995, 1992, 1991, 1989, 1985, 1976, 1971, 1965, 1962, 1956, 1950, 1943, 1940, 1938, 1927, 1921, 1907, 1903
3535 INDIA ST	2013, 2008, 2006, 1995, 1992, 1991, 1985, 1976, 1971, 1965, 1962, 1960, 1956, 1955, 1952, 1950, 1948, 1945, 1943, 1940, 1938, 1933, 1927, 1921, 1907, 1903
3535 INDIA ST	2008, 2006, 2000, 1995, 1992, 1991, 1989, 1985, 1984, 1980, 1976, 1975, 1971, 1970, 1966, 1965, 1962, 1961, 1960, 1956, 1955, 1952, 1950, 1948, 1945, 1943, 1940, 1938, 1933, 1927, 1921, 1907, 1903
3535 KETTNER BLVD	2013, 2008, 2006, 2000, 1995, 1992, 1991, 1989, 1985, 1984, 1980, 1976, 1975, 1971, 1970, 1966, 1965, 1962, 1960, 1956, 1950, 1945, 1940, 1938, 1933, 1927, 1921, 1907, 1903
3535 PACIFIC BLVD	2013, 2008, 2006, 2000, 1995, 1992, 1991, 1989, 1985, 1984, 1980, 1976, 1975, 1971, 1970, 1966, 1965, 1962, 1961, 1960, 1956, 1955, 1952, 1950, 1948, 1945, 1943, 1940, 1933, 1927, 1921, 1907, 1903
3536 INDIA	2013, 2008, 2006, 2000, 1995, 1992, 1991, 1989, 1985, 1984, 1980, 1976, 1975, 1971, 1970, 1966, 1965, 1962, 1961, 1960, 1956, 1952, 1950, 1948, 1943, 1940, 1938, 1933, 1927, 1921, 1907, 1903
3536 INDIA ST	2013, 2008, 2006, 2000, 1995, 1992, 1991, 1989, 1985, 1984, 1980, 1976, 1975, 1971, 1970, 1966, 1965, 1962, 1960, 1956, 1955, 1950, 1945, 1940, 1933, 1927, 1921, 1907, 1903
3537 INDIA	2013, 2008, 2006, 2000, 1995, 1992, 1991, 1989, 1985, 1984, 1980, 1976, 1975, 1971, 1970, 1966, 1965, 1962, 1961, 1956, 1955, 1952, 1950, 1948, 1945, 1943, 1940, 1938, 1933, 1927, 1921, 1907, 1903
3537 INDIA ST	2013, 2008, 2006, 2000, 1995, 1992, 1991, 1989, 1985, 1984, 1980, 1976, 1975, 1971, 1970, 1965, 1962, 1960, 1956, 1955, 1950, 1945, 1940, 1921, 1907, 1903
3537 KETTNER BLVD	2013, 2008, 2006, 2000, 1995, 1992, 1991, 1989, 1985, 1984, 1980, 1976, 1975, 1971, 1970, 1966, 1965, 1962, 1956, 1950, 1940, 1938, 1933, 1927, 1921, 1907, 1903

FINDINGS

Address Researched

Address Not Identified in Research Source

3538 COLUMBIA PL	2013, 2008, 2006, 2000, 1995, 1992, 1991, 1989, 1985, 1984, 1980, 1976, 1975, 1971, 1970, 1966, 1965, 1962, 1961, 1960, 1956, 1955, 1952, 1950, 1948, 1945, 1940, 1933, 1921, 1907, 1903
3538 COLUMBIA ST	2013, 2008, 1995, 1992, 1991, 1989, 1985, 1976, 1971, 1965, 1962, 1956, 1950, 1943, 1940, 1938, 1927, 1921, 1907, 1903
3538 INDIA	2013, 2008, 2006, 2000, 1995, 1992, 1991, 1989, 1985, 1984, 1980, 1976, 1975, 1971, 1970, 1966, 1965, 1962, 1961, 1956, 1952, 1950, 1948, 1943, 1940, 1938, 1933, 1927, 1921, 1907, 1903
3538 INDIA ST	2013, 2008, 2006, 2000, 1995, 1992, 1991, 1989, 1985, 1984, 1980, 1976, 1975, 1971, 1970, 1966, 1965, 1962, 1960, 1956, 1955, 1950, 1945, 1940, 1933, 1927, 1921, 1907, 1903
3539 KETTNER BLVD	2013, 2008, 2006, 2000, 1995, 1992, 1991, 1989, 1985, 1984, 1980, 1976, 1975, 1971, 1970, 1966, 1965, 1962, 1960, 1956, 1950, 1945, 1940, 1938, 1933, 1927, 1921, 1907, 1903
3540 COLUMBIA ST	2013, 2008, 2006, 1995, 1992, 1991, 1989, 1985, 1976, 1971, 1965, 1962, 1960, 1956, 1955, 1952, 1950, 1948, 1945, 1943, 1940, 1938, 1933, 1927, 1921, 1907, 1903
3540 INDIA	2013, 2008, 2006, 2000, 1995, 1992, 1991, 1989, 1985, 1984, 1980, 1976, 1975, 1971, 1970, 1966, 1965, 1962, 1961, 1956, 1952, 1950, 1948, 1943, 1940, 1938, 1933, 1927, 1921, 1907, 1903
3540 INDIA ST	2013, 2008, 2006, 2000, 1995, 1992, 1991, 1989, 1985, 1984, 1980, 1976, 1975, 1971, 1970, 1966, 1965, 1962, 1960, 1956, 1955, 1950, 1945, 1940, 1933, 1927, 1921, 1907, 1903
3541 INDIA ST	2013, 2008, 2006, 2000, 1995, 1992, 1991, 1989, 1985, 1984, 1980, 1976, 1975, 1971, 1970, 1965, 1962, 1960, 1956, 1955, 1950, 1945, 1940, 1933, 1927, 1921, 1907, 1903
3541 KETTNER BLVD	2013, 2008, 2006, 2000, 1995, 1992, 1991, 1989, 1985, 1984, 1980, 1976, 1975, 1971, 1970, 1966, 1965, 1962, 1960, 1956, 1950, 1945, 1940, 1938, 1933, 1927, 1921, 1907, 1903
3542 COLUMBIA ST	2013, 2008, 2000, 1995, 1992, 1991, 1985, 1976, 1975, 1971, 1970, 1966, 1965, 1962, 1961, 1960, 1956, 1955, 1952, 1950, 1948, 1945, 1943, 1940, 1938, 1933, 1927, 1921, 1907, 1903
3543 INDIA	2013, 2008, 2006, 2000, 1995, 1992, 1991, 1989, 1985, 1984, 1980, 1976, 1975, 1971, 1970, 1966, 1965, 1962, 1961, 1956, 1955, 1952, 1950, 1948, 1945, 1943, 1940, 1938, 1933, 1927, 1921, 1907, 1903
3543 INDIA ST	2013, 2008, 2006, 2000, 1995, 1992, 1991, 1989, 1985, 1984, 1980, 1976, 1975, 1971, 1970, 1965, 1962, 1960, 1956, 1955, 1952, 1950, 1948, 1945, 1943, 1940, 1938, 1933, 1927, 1921, 1907, 1903
3544 COLUMBIA ST	2013, 2008, 2006, 2000, 1995, 1992, 1991, 1989, 1985, 1976, 1971, 1965, 1962, 1956, 1955, 1952, 1950, 1948, 1945, 1943, 1940, 1938, 1933, 1927, 1921, 1907, 1903
3544 INDIA	2013, 2008, 2006, 2000, 1995, 1992, 1991, 1989, 1985, 1984, 1980, 1976, 1975, 1971, 1970, 1966, 1965, 1962, 1961, 1956, 1952, 1950, 1948, 1943, 1940, 1938, 1933, 1927, 1921, 1907, 1903
3544 INDIA ST	2013, 2008, 2006, 2000, 1995, 1992, 1991, 1989, 1985, 1984, 1980, 1976, 1975, 1971, 1970, 1966, 1965, 1962, 1960, 1956, 1955, 1950, 1945, 1940, 1938, 1933, 1927, 1921, 1907, 1903
3545 COLUMBIA	2013, 2008, 2006, 2000, 1995, 1992, 1991, 1989, 1985, 1984, 1980, 1976, 1975, 1971, 1970, 1966, 1965, 1962, 1961, 1960, 1956, 1955, 1952, 1950, 1948, 1945, 1943, 1940, 1938, 1933, 1927, 1907, 1903

FINDINGS

Address Researched

Address Not Identified in Research Source

3545 COLUMBIA PL	2013, 2008, 2006, 2000, 1995, 1992, 1991, 1989, 1985, 1984, 1980, 1976, 1975, 1971, 1970, 1966, 1965, 1962, 1961, 1960, 1956, 1955, 1952, 1950, 1948, 1945, 1940, 1933, 1921, 1907, 1903
3545 COLUMBIA ST	2013, 2008, 2006, 2000, 1995, 1992, 1991, 1989, 1985, 1984, 1980, 1976, 1975, 1971, 1970, 1966, 1965, 1962, 1961, 1960, 1956, 1950, 1943, 1940, 1938, 1927, 1921, 1907, 1903
3545 INDIA ST	2013, 2008, 2006, 2000, 1995, 1992, 1991, 1989, 1985, 1984, 1980, 1976, 1975, 1971, 1970, 1965, 1962, 1960, 1956, 1955, 1950, 1945, 1940, 1938, 1933, 1927, 1921, 1907, 1903
3546 COLUMBIA ST	2013, 2008, 2006, 2000, 1995, 1992, 1991, 1989, 1985, 1976, 1975, 1971, 1970, 1966, 1965, 1962, 1961, 1960, 1956, 1955, 1952, 1950, 1948, 1945, 1943, 1940, 1938, 1933, 1927, 1921, 1907, 1903
3546 INDIA	2013, 2008, 2006, 2000, 1995, 1992, 1991, 1989, 1985, 1984, 1980, 1976, 1975, 1971, 1970, 1966, 1965, 1962, 1961, 1960, 1956, 1952, 1950, 1948, 1943, 1940, 1938, 1933, 1927, 1921, 1907, 1903
3546 INDIA ST	2013, 2008, 2006, 2000, 1995, 1992, 1991, 1989, 1985, 1984, 1980, 1976, 1975, 1971, 1970, 1966, 1965, 1962, 1960, 1956, 1955, 1950, 1948, 1945, 1940, 1938, 1933, 1927, 1921, 1907, 1903
3547 INDIA	2013, 2008, 2006, 2000, 1995, 1992, 1991, 1989, 1985, 1984, 1980, 1976, 1975, 1971, 1970, 1966, 1965, 1962, 1961, 1960, 1956, 1952, 1950, 1948, 1945, 1943, 1940, 1938, 1933, 1927, 1921, 1907, 1903
3547 INDIA ST	2013, 2008, 2006, 2000, 1995, 1992, 1991, 1989, 1985, 1984, 1980, 1976, 1975, 1971, 1970, 1965, 1962, 1960, 1956, 1955, 1950, 1945, 1940, 1938, 1933, 1927, 1921, 1907, 1903
3549 INDIA	2013, 2008, 2006, 2000, 1995, 1992, 1991, 1989, 1985, 1984, 1980, 1976, 1975, 1971, 1970, 1966, 1965, 1962, 1961, 1956, 1955, 1952, 1950, 1948, 1945, 1943, 1940, 1938, 1933, 1927, 1921, 1907, 1903
3549 INDIA ST	2013, 2008, 2006, 2000, 1995, 1992, 1991, 1989, 1985, 1984, 1980, 1976, 1975, 1971, 1970, 1965, 1962, 1960, 1956, 1955, 1950, 1945, 1940, 1933, 1927, 1921, 1907, 1903
3553 CALIFORNIA ST	2006, 2000, 1995, 1992, 1991, 1989, 1985, 1984, 1980, 1976, 1975, 1971, 1970, 1966, 1965, 1962, 1961, 1960, 1956, 1955, 1952, 1950, 1948, 1945, 1943, 1940, 1938, 1933, 1927, 1921, 1907, 1903
3553 CALIFORNIA ST	2013, 2008, 2000, 1995, 1992, 1991, 1985, 1976, 1971, 1965, 1962, 1961, 1960, 1956, 1955, 1952, 1950, 1948, 1945, 1943, 1940, 1938, 1933, 1927, 1921, 1907, 1903
3553 KETTNER BLVD	2013, 2008, 2006, 2000, 1995, 1992, 1991, 1989, 1985, 1984, 1980, 1976, 1975, 1971, 1970, 1966, 1965, 1962, 1956, 1950, 1945, 1940, 1927, 1921, 1907, 1903
3554 KETTNER BLVD	2013, 2008, 2006, 2000, 1995, 1991, 1989, 1976, 1971, 1965, 1962, 1961, 1960, 1956, 1955, 1952, 1950, 1948, 1945, 1943, 1940, 1938, 1933, 1927, 1921, 1907, 1903
3555 INDIA	2013, 2008, 2006, 2000, 1995, 1989, 1985, 1984, 1980, 1976, 1975, 1971, 1970, 1966, 1965, 1962, 1961, 1956, 1955, 1952, 1950, 1948, 1945, 1943, 1940, 1938, 1933, 1927, 1921, 1907, 1903
3555 INDIA ST	2013, 2008, 1995, 1992, 1991, 1976, 1971, 1965, 1962, 1960, 1956, 1955, 1952, 1950, 1948, 1945, 1943, 1940, 1938, 1933, 1927, 1921, 1907, 1903
3555 INDIA ST	2006, 2000, 1995, 1992, 1991, 1989, 1985, 1984, 1980, 1976, 1975, 1971, 1970, 1966, 1965, 1962, 1961, 1960, 1956, 1955, 1952, 1950, 1948, 1945, 1943, 1940, 1938, 1933, 1927, 1921, 1907, 1903
3555 KETTNER BLVD	2013, 2008, 2006, 2000, 1995, 1992, 1991, 1989, 1985, 1984, 1980, 1976, 1975, 1971, 1970, 1966, 1965, 1962, 1956, 1952, 1950, 1948, 1945, 1943, 1940, 1938, 1933, 1927, 1921, 1907, 1903

FINDINGS

<u>Address Researched</u>	<u>Address Not Identified in Research Source</u>
3575 KETTNER BLVD	2013, 2008, 2006, 2000, 1995, 1992, 1991, 1989, 1985, 1984, 1980, 1976, 1975, 1971, 1970, 1966, 1965, 1962, 1960, 1956, 1955, 1950, 1945, 1940, 1927, 1921, 1907, 1903
3575 PACIFIC HWY	2013, 2008, 2006, 1995, 1992, 1991, 1989, 1985, 1984, 1980, 1976, 1975, 1971, 1970, 1966, 1965, 1962, 1961, 1960, 1956, 1955, 1952, 1950, 1948, 1945, 1943, 1940, 1938, 1933, 1927, 1921, 1907, 1903
3576 KETTNER BLVD	2013, 2008, 2006, 1995, 1992, 1991, 1989, 1985, 1984, 1980, 1976, 1971, 1970, 1966, 1965, 1962, 1961, 1960, 1956, 1955, 1952, 1950, 1948, 1945, 1943, 1940, 1938, 1933, 1927, 1921, 1907, 1903
3580 KETTNER BLVD	2013, 2008, 2006, 1995, 1992, 1991, 1989, 1985, 1984, 1980, 1976, 1971, 1970, 1966, 1965, 1962, 1961, 1960, 1956, 1955, 1952, 1950, 1948, 1945, 1943, 1940, 1938, 1933, 1927, 1921, 1907, 1903
3585 INDIA	2013, 2008, 2006, 2000, 1995, 1991, 1989, 1985, 1984, 1980, 1976, 1975, 1971, 1970, 1966, 1965, 1962, 1961, 1960, 1956, 1955, 1952, 1950, 1948, 1945, 1943, 1940, 1938, 1933, 1927, 1921, 1907, 1903
3585 INDIA ST	2013, 2008, 2006, 1995, 1992, 1991, 1989, 1985, 1976, 1971, 1966, 1965, 1962, 1961, 1960, 1956, 1955, 1952, 1950, 1948, 1945, 1943, 1940, 1938, 1933, 1927, 1921, 1907, 1903
3585 INDIA ST	2006, 2000, 1995, 1992, 1991, 1989, 1985, 1984, 1980, 1976, 1975, 1971, 1970, 1966, 1965, 1962, 1961, 1960, 1956, 1955, 1952, 1950, 1948, 1945, 1943, 1940, 1938, 1933, 1927, 1921, 1907, 1903
3585 PACIFIC HWY	2013, 2006, 2000, 1995, 1992, 1991, 1989, 1985, 1984, 1980, 1976, 1975, 1971, 1970, 1966, 1965, 1962, 1961, 1960, 1956, 1955, 1952, 1950, 1948, 1945, 1943, 1940, 1938, 1933, 1927, 1921, 1907, 1903
3590 KETTNER BLVD	2013, 2006, 2000, 1995, 1992, 1991, 1989, 1985, 1984, 1980, 1976, 1975, 1971, 1970, 1966, 1965, 1962, 1961, 1960, 1956, 1955, 1952, 1950, 1948, 1945, 1943, 1940, 1938, 1933, 1927, 1921, 1907, 1903
3590 KETTNER BLVD	2013, 2008, 1995, 1991, 1985, 1976, 1971, 1965, 1962, 1961, 1960, 1956, 1955, 1952, 1950, 1948, 1945, 1943, 1940, 1938, 1933, 1927, 1921, 1907, 1903
3595 CALIFORNIA ST	2013, 2008, 2006, 1995, 1992, 1991, 1989, 1985, 1984, 1980, 1976, 1975, 1971, 1970, 1966, 1965, 1962, 1961, 1960, 1956, 1955, 1952, 1950, 1948, 1945, 1943, 1940, 1938, 1933, 1927, 1921, 1907, 1903
3596 CALIFORNIA ST	2013, 2008, 1995, 1991, 1985, 1976, 1971, 1965, 1962, 1960, 1956, 1955, 1950, 1948, 1945, 1943, 1940, 1938, 1933, 1927, 1921, 1907, 1903
3596 CALIFORNIA ST	2013, 2006, 2000, 1995, 1992, 1991, 1989, 1985, 1984, 1980, 1976, 1975, 1971, 1970, 1966, 1965, 1962, 1961, 1960, 1956, 1955, 1952, 1950, 1948, 1945, 1943, 1940, 1938, 1933, 1927, 1921, 1907, 1903
3600 COLUMBIA ST	2013, 2008, 2000, 1995, 1991, 1989, 1985, 1976, 1971, 1966, 1965, 1962, 1961, 1960, 1956, 1955, 1952, 1950, 1948, 1945, 1943, 1940, 1938, 1933, 1927, 1921, 1907, 1903
3600 KETTNER BLVD	2013, 2008, 2006, 2000, 1995, 1992, 1991, 1989, 1985, 1984, 1980, 1976, 1975, 1971, 1970, 1966, 1965, 1962, 1961, 1960, 1956, 1950, 1940, 1938, 1921, 1907, 1903
3600 PACIFIC HWY	2013, 2008, 2006, 2000, 1995, 1992, 1991, 1989, 1985, 1984, 1980, 1976, 1975, 1971, 1965, 1962, 1961, 1960, 1956, 1955, 1952, 1950, 1945, 1943, 1940, 1938, 1933, 1927, 1921, 1907, 1903
3601 INDIA ST	2013, 2008, 2006, 2000, 1995, 1992, 1991, 1989, 1985, 1984, 1980, 1976, 1975, 1971, 1965, 1962, 1961, 1960, 1956, 1955, 1952, 1950, 1948, 1945, 1943, 1940, 1938, 1933, 1927, 1921, 1907, 1903
3601 PACIFIC HWY	2013, 2008, 2006, 1995, 1992, 1991, 1989, 1985, 1984, 1980, 1976, 1975, 1971, 1970, 1966, 1965, 1962, 1961, 1960, 1956, 1955, 1952, 1950, 1948, 1945, 1943, 1940, 1938, 1933, 1927, 1921, 1907, 1903

FINDINGS

Address Researched

Address Not Identified in Research Source

3602 COLUMBIA ST	2013, 2008, 2000, 1995, 1992, 1991, 1989, 1985, 1976, 1971, 1965, 1962, 1960, 1956, 1955, 1952, 1950, 1948, 1945, 1943, 1940, 1938, 1933, 1927, 1921, 1907, 1903
3603 KETTNER BLVD	2013, 2008, 2006, 2000, 1995, 1992, 1991, 1989, 1985, 1984, 1980, 1976, 1975, 1971, 1970, 1966, 1965, 1962, 1960, 1956, 1955, 1950, 1945, 1940, 1938, 1933, 1927, 1921, 1907, 1903
3604 COLUMBIA ST	2013, 2008, 2000, 1995, 1992, 1991, 1985, 1976, 1971, 1965, 1962, 1960, 1956, 1955, 1952, 1950, 1948, 1945, 1943, 1940, 1938, 1933, 1927, 1921, 1907, 1903
3605 KETTNER BLVD	2013, 2008, 2006, 2000, 1995, 1992, 1991, 1989, 1985, 1984, 1980, 1976, 1975, 1971, 1970, 1966, 1965, 1962, 1960, 1956, 1955, 1950, 1948, 1945, 1940, 1921, 1907, 1903
3605 PACIFIC	2013, 2008, 2006, 2000, 1991, 1989, 1985, 1984, 1980, 1976, 1975, 1971, 1970, 1966, 1965, 1962, 1961, 1956, 1952, 1950, 1948, 1945, 1943, 1940, 1938, 1933, 1927, 1921, 1907, 1903
3605 PACIFIC HWY	2013, 2008, 2006, 1995, 1992, 1991, 1985, 1980, 1976, 1975, 1971, 1970, 1965, 1962, 1960, 1956, 1955, 1952, 1950, 1948, 1945, 1943, 1940, 1938, 1933, 1927, 1921, 1907, 1903
3605 PACIFIC HWY	2006, 2000, 1995, 1992, 1991, 1989, 1985, 1984, 1980, 1976, 1975, 1971, 1970, 1966, 1965, 1962, 1961, 1960, 1956, 1955, 1952, 1950, 1948, 1945, 1943, 1940, 1938, 1933, 1927, 1921, 1907, 1903
3606 COLUMBIA ST	2013, 2008, 2000, 1995, 1991, 1985, 1976, 1971, 1965, 1962, 1961, 1960, 1956, 1955, 1952, 1950, 1948, 1945, 1943, 1940, 1938, 1933, 1927, 1921, 1907, 1903
3607 CALIFORNIA ST	2013, 2008, 2006, 2000, 1995, 1992, 1991, 1989, 1985, 1984, 1980, 1976, 1975, 1971, 1970, 1966, 1965, 1962, 1960, 1956, 1955, 1950, 1945, 1940, 1927, 1921, 1907, 1903
3607 KETTNER BLVD	2013, 2008, 2006, 2000, 1995, 1992, 1991, 1989, 1985, 1984, 1980, 1976, 1975, 1971, 1970, 1966, 1965, 1962, 1960, 1956, 1955, 1950, 1940, 1927, 1921, 1907, 1903
3608 COLUMBIA ST	2013, 2008, 2006, 2000, 1995, 1991, 1985, 1976, 1971, 1965, 1962, 1960, 1956, 1955, 1952, 1950, 1948, 1945, 1943, 1940, 1938, 1933, 1927, 1921, 1907, 1903
3609 KETTNER BLVD	2013, 2008, 2006, 2000, 1995, 1992, 1991, 1989, 1985, 1984, 1980, 1976, 1975, 1971, 1970, 1966, 1965, 1962, 1960, 1956, 1950, 1945, 1940, 1927, 1921, 1907, 1903
3610 COLUMBIA ST	2013, 2008, 1995, 1992, 1991, 1989, 1985, 1976, 1971, 1965, 1962, 1961, 1960, 1956, 1955, 1952, 1950, 1948, 1945, 1943, 1940, 1938, 1933, 1927, 1921, 1907, 1903
3611 KETTNER BLVD	2013, 2008, 2006, 2000, 1995, 1992, 1991, 1989, 1985, 1984, 1980, 1976, 1975, 1971, 1970, 1966, 1965, 1962, 1956, 1950, 1940, 1921, 1907, 1903
3612 INDIA ST	2013, 2008, 2006, 2000, 1995, 1992, 1991, 1989, 1985, 1984, 1980, 1976, 1975, 1971, 1970, 1966, 1965, 1962, 1961, 1960, 1956, 1955, 1952, 1950, 1945, 1943, 1940, 1938, 1933, 1927, 1921, 1907, 1903
3612 PACIFIC AVE	2013, 2008, 2006, 2000, 1995, 1992, 1991, 1989, 1985, 1984, 1980, 1976, 1975, 1971, 1970, 1966, 1965, 1962, 1961, 1960, 1956, 1955, 1952, 1950, 1948, 1945, 1943, 1940, 1938, 1933, 1927, 1907, 1903
3615 INDIA	2013, 2008, 2006, 2000, 1995, 1991, 1989, 1985, 1984, 1980, 1976, 1975, 1971, 1970, 1966, 1965, 1962, 1961, 1956, 1955, 1952, 1950, 1948, 1945, 1943, 1940, 1938, 1933, 1927, 1921, 1907, 1903
3615 INDIA ST	2013, 2008, 1995, 1992, 1991, 1985, 1976, 1971, 1970, 1966, 1965, 1962, 1961, 1960, 1956, 1955, 1952, 1950, 1948, 1945, 1943, 1940, 1938, 1933, 1927, 1921, 1907, 1903

FINDINGS

Address Researched

Address Not Identified in Research Source

3615 INDIA ST	2006, 2000, 1995, 1992, 1991, 1989, 1985, 1984, 1980, 1976, 1975, 1971, 1970, 1966, 1965, 1962, 1961, 1960, 1956, 1955, 1952, 1950, 1948, 1945, 1943, 1940, 1938, 1933, 1927, 1921, 1907, 1903
3616 INDIA	2013, 2008, 2006, 2000, 1995, 1992, 1991, 1989, 1985, 1984, 1980, 1976, 1975, 1971, 1970, 1966, 1965, 1962, 1961, 1956, 1952, 1950, 1948, 1945, 1943, 1940, 1938, 1933, 1927, 1907, 1903
3616 INDIA ST	2013, 2008, 2006, 2000, 1995, 1992, 1991, 1989, 1985, 1984, 1980, 1976, 1975, 1971, 1970, 1966, 1965, 1962, 1960, 1956, 1955, 1950, 1948, 1945, 1940, 1921, 1907, 1903
3617 INDIA	2013, 2008, 2006, 2000, 1995, 1991, 1989, 1985, 1984, 1980, 1976, 1975, 1971, 1970, 1966, 1965, 1962, 1961, 1956, 1955, 1952, 1950, 1948, 1945, 1943, 1940, 1938, 1933, 1927, 1921, 1907, 1903
3617 INDIA ST	2013, 2008, 1995, 1992, 1991, 1985, 1976, 1971, 1965, 1962, 1960, 1956, 1955, 1952, 1950, 1948, 1945, 1943, 1940, 1938, 1933, 1927, 1921, 1907, 1903
3617 INDIA ST	2006, 2000, 1995, 1992, 1991, 1989, 1985, 1984, 1980, 1976, 1975, 1971, 1970, 1966, 1965, 1962, 1961, 1960, 1956, 1955, 1952, 1950, 1948, 1945, 1943, 1940, 1938, 1933, 1927, 1921, 1907, 1903
3619 CALIFORNIA ST	2013, 2008, 2006, 2000, 1995, 1992, 1991, 1989, 1985, 1984, 1980, 1976, 1975, 1971, 1970, 1966, 1965, 1962, 1960, 1956, 1955, 1950, 1945, 1940, 1927, 1921, 1907, 1903
3619 INDIA ST	2013, 2008, 2006, 2000, 1995, 1992, 1991, 1989, 1985, 1984, 1980, 1976, 1975, 1971, 1970, 1966, 1965, 1962, 1961, 1960, 1956, 1955, 1952, 1950, 1945, 1943, 1940, 1938, 1933, 1927, 1921, 1907, 1903
3619 KETTNER BLVD	2013, 2008, 2006, 2000, 1995, 1992, 1991, 1989, 1985, 1984, 1980, 1976, 1975, 1971, 1970, 1966, 1965, 1962, 1956, 1950, 1940, 1921, 1907, 1903
3620 INDIA	2013, 2008, 2006, 2000, 1995, 1992, 1991, 1989, 1985, 1984, 1980, 1976, 1975, 1971, 1970, 1966, 1965, 1962, 1961, 1960, 1956, 1952, 1950, 1948, 1943, 1940, 1938, 1933, 1927, 1921, 1907, 1903
3620 INDIA ST	2013, 2008, 2006, 2000, 1995, 1992, 1991, 1989, 1985, 1984, 1980, 1976, 1975, 1971, 1970, 1966, 1965, 1962, 1961, 1960, 1956, 1955, 1950, 1945, 1940, 1921, 1907, 1903
3621 INDIA	2013, 2008, 2006, 2000, 1995, 1991, 1989, 1985, 1984, 1980, 1976, 1975, 1971, 1970, 1966, 1965, 1962, 1961, 1960, 1956, 1955, 1952, 1950, 1948, 1945, 1943, 1940, 1938, 1933, 1927, 1921, 1907, 1903
3621 INDIA ST	2013, 2008, 1995, 1992, 1991, 1985, 1984, 1980, 1976, 1975, 1971, 1970, 1966, 1965, 1962, 1961, 1960, 1956, 1955, 1950, 1948, 1945, 1943, 1940, 1938, 1933, 1927, 1921, 1907, 1903
3623 INDIA	2013, 2008, 2006, 2000, 1995, 1991, 1989, 1985, 1984, 1980, 1976, 1975, 1971, 1970, 1966, 1965, 1962, 1961, 1956, 1955, 1952, 1950, 1948, 1945, 1943, 1940, 1938, 1933, 1927, 1921, 1907, 1903
3623 INDIA ST	2013, 2008, 1995, 1992, 1991, 1985, 1976, 1971, 1965, 1962, 1960, 1956, 1955, 1952, 1950, 1948, 1945, 1943, 1940, 1938, 1933, 1927, 1921, 1907, 1903
3625 CALIFORNIA ST	2013, 2008, 2006, 2000, 1995, 1992, 1991, 1989, 1985, 1984, 1980, 1976, 1975, 1971, 1970, 1966, 1965, 1962, 1960, 1956, 1955, 1950, 1945, 1940, 1921, 1907, 1903
3625 INDIA ST	2013, 2008, 2006, 2000, 1995, 1992, 1991, 1989, 1985, 1984, 1980, 1976, 1975, 1971, 1970, 1966, 1965, 1962, 1961, 1960, 1956, 1955, 1952, 1950, 1945, 1943, 1940, 1938, 1933, 1927, 1921, 1907, 1903
3625 PACIFIC HWY	2013, 2008, 2006, 2000, 1995, 1992, 1991, 1989, 1985, 1984, 1980, 1976, 1975, 1971, 1970, 1966, 1965, 1962, 1961, 1960, 1956, 1955, 1952, 1950, 1940, 1938, 1933, 1927, 1921, 1907, 1903

FINDINGS

Address Researched

Address Not Identified in Research Source

3627 KETTNER BLVD	2013, 2008, 2000, 1995, 1992, 1991, 1989, 1985, 1984, 1980, 1976, 1975, 1971, 1970, 1966, 1965, 1962, 1961, 1960, 1956, 1955, 1952, 1950, 1948, 1945, 1943, 1940, 1938, 1933, 1927, 1921, 1907, 1903
3630 INDIA	2013, 2008, 2006, 2000, 1995, 1992, 1991, 1989, 1985, 1984, 1980, 1976, 1975, 1971, 1970, 1966, 1965, 1962, 1961, 1956, 1952, 1950, 1948, 1945, 1943, 1940, 1938, 1933, 1927, 1921, 1907, 1903
3630 INDIA ST	2013, 2008, 2006, 2000, 1995, 1992, 1991, 1989, 1985, 1984, 1980, 1976, 1975, 1971, 1970, 1966, 1965, 1962, 1960, 1956, 1955, 1950, 1948, 1945, 1943, 1940, 1938, 1933, 1927, 1921, 1907, 1903
3631 KETTNER BLVD	2013, 2008, 2006, 2000, 1995, 1992, 1991, 1989, 1985, 1984, 1980, 1976, 1975, 1971, 1970, 1966, 1965, 1962, 1956, 1950, 1945, 1940, 1921, 1907, 1903
3632 KETTNER BLVD	2013, 2008, 2000, 1995, 1992, 1991, 1989, 1985, 1984, 1980, 1976, 1975, 1971, 1970, 1966, 1965, 1962, 1961, 1960, 1956, 1955, 1952, 1950, 1948, 1945, 1943, 1940, 1938, 1933, 1927, 1921, 1907, 1903
3633 CALIFORNIA ST	2013, 2008, 2006, 2000, 1995, 1992, 1991, 1989, 1985, 1984, 1980, 1976, 1975, 1971, 1965, 1962, 1960, 1956, 1955, 1952, 1950, 1948, 1945, 1943, 1940, 1938, 1933, 1927, 1921, 1907, 1903
3633 INDIA	2013, 2008, 2006, 2000, 1995, 1992, 1991, 1989, 1985, 1984, 1980, 1976, 1975, 1971, 1970, 1966, 1965, 1962, 1961, 1956, 1952, 1950, 1948, 1945, 1943, 1940, 1938, 1933, 1927, 1921, 1907, 1903
3633 INDIA ST	2013, 2008, 2006, 2000, 1995, 1992, 1991, 1989, 1985, 1984, 1980, 1976, 1975, 1971, 1970, 1965, 1962, 1960, 1956, 1955, 1950, 1945, 1943, 1940, 1938, 1933, 1927, 1921, 1907, 1903
3633 KETTNER BLVD	2013, 2008, 2006, 2000, 1995, 1992, 1991, 1985, 1984, 1980, 1976, 1975, 1971, 1970, 1966, 1965, 1962, 1961, 1960, 1956, 1955, 1952, 1950, 1948, 1945, 1943, 1940, 1938, 1933, 1927, 1921, 1907, 1903
3634 KETTNER BLVD	2013, 2008, 1995, 1991, 1985, 1976, 1975, 1971, 1970, 1966, 1965, 1962, 1961, 1960, 1956, 1955, 1952, 1950, 1948, 1945, 1943, 1940, 1938, 1933, 1927, 1921, 1907, 1903
3634 KETTNER I	2013, 2008, 2006, 2000, 1995, 1991, 1989, 1985, 1984, 1980, 1976, 1975, 1971, 1970, 1966, 1965, 1962, 1961, 1960, 1956, 1955, 1952, 1950, 1948, 1945, 1943, 1940, 1938, 1933, 1927, 1921, 1907, 1903
3637 CALIFORNIA ST	2013, 2008, 2006, 2000, 1995, 1992, 1991, 1989, 1985, 1984, 1980, 1976, 1975, 1971, 1970, 1966, 1965, 1962, 1961, 1960, 1956, 1955, 1952, 1950, 1948, 1945, 1943, 1940, 1938, 1933, 1921, 1907, 1903
3637 KETTNER BLVD	2013, 2008, 2006, 2000, 1995, 1992, 1991, 1989, 1985, 1984, 1980, 1976, 1975, 1971, 1970, 1966, 1965, 1962, 1956, 1950, 1940, 1927, 1921, 1907, 1903
3641 PACIFIC BLVD	2013, 2008, 2006, 2000, 1995, 1992, 1991, 1989, 1985, 1984, 1980, 1976, 1975, 1971, 1970, 1966, 1965, 1962, 1961, 1960, 1956, 1955, 1952, 1950, 1948, 1945, 1943, 1940, 1933, 1927, 1921, 1907, 1903
3645 CALIFORNIA ST	2006, 2000, 1995, 1992, 1991, 1989, 1985, 1984, 1980, 1976, 1975, 1971, 1970, 1966, 1965, 1962, 1961, 1960, 1956, 1955, 1952, 1950, 1948, 1945, 1943, 1940, 1938, 1933, 1927, 1921, 1907, 1903
3648 KETTNER BLVD	2013, 2008, 2006, 1995, 1991, 1985, 1976, 1975, 1971, 1970, 1966, 1965, 1962, 1961, 1960, 1956, 1955, 1952, 1950, 1948, 1945, 1943, 1940, 1938, 1933, 1927, 1921, 1907, 1903
3649 KETTNER BLVD	2013, 2008, 2000, 1995, 1992, 1991, 1989, 1985, 1984, 1980, 1976, 1975, 1971, 1970, 1966, 1965, 1962, 1961, 1960, 1956, 1955, 1952, 1950, 1948, 1945, 1943, 1940, 1938, 1933, 1927, 1921, 1907, 1903
3655 PACIFIC	2013, 2008, 2006, 2000, 1995, 1989, 1985, 1984, 1980, 1976, 1975, 1971, 1970, 1966, 1965, 1962, 1961, 1960, 1956, 1955, 1952, 1950, 1948, 1945, 1943, 1940, 1938, 1933, 1927, 1921, 1907, 1903

FINDINGS

Address Researched

Address Not Identified in Research Source

3655 PACIFIC HWY	2013, 2008, 1995, 1992, 1991, 1980, 1976, 1975, 1971, 1970, 1966, 1965, 1962, 1961, 1960, 1956, 1955, 1952, 1950, 1948, 1945, 1943, 1940, 1938, 1933, 1927, 1921, 1907, 1903
3665 PACIFIC AVE	2013, 2008, 2006, 2000, 1995, 1992, 1991, 1989, 1985, 1984, 1980, 1976, 1975, 1971, 1970, 1966, 1965, 1962, 1961, 1960, 1956, 1955, 1952, 1950, 1948, 1945, 1943, 1940, 1938, 1933, 1927, 1907, 1903
3665 PACIFIC HWY	2013, 2008, 2006, 1995, 1992, 1991, 1989, 1985, 1984, 1980, 1976, 1975, 1971, 1970, 1966, 1965, 1962, 1961, 1960, 1956, 1955, 1952, 1950, 1948, 1945, 1943, 1940, 1938, 1933, 1927, 1921, 1907, 1903
3671 PACIFIC AVE	2013, 2008, 2006, 2000, 1995, 1992, 1991, 1989, 1985, 1984, 1980, 1976, 1975, 1971, 1970, 1966, 1965, 1962, 1961, 1960, 1956, 1955, 1952, 1950, 1948, 1945, 1943, 1940, 1938, 1933, 1927, 1907, 1903
3673 PACIFIC AVE	2013, 2008, 2006, 2000, 1995, 1992, 1991, 1989, 1985, 1984, 1980, 1976, 1975, 1971, 1970, 1966, 1965, 1962, 1961, 1960, 1956, 1955, 1952, 1950, 1948, 1945, 1943, 1940, 1938, 1933, 1927, 1907, 1903
3682 PACIFIC BLVD	2013, 2008, 2006, 2000, 1995, 1992, 1991, 1989, 1985, 1984, 1980, 1976, 1975, 1971, 1970, 1966, 1965, 1962, 1961, 1960, 1956, 1955, 1952, 1950, 1948, 1945, 1943, 1940, 1933, 1927, 1921, 1907, 1903
3690 PACIFIC HWY	2013, 2008, 2006, 1995, 1992, 1991, 1989, 1985, 1984, 1980, 1976, 1975, 1971, 1970, 1966, 1965, 1962, 1961, 1960, 1956, 1955, 1952, 1950, 1948, 1945, 1943, 1940, 1938, 1933, 1927, 1921, 1907, 1903
3690 PACIFIC HWY	2013, 2006, 2000, 1995, 1992, 1991, 1989, 1985, 1984, 1980, 1976, 1975, 1971, 1970, 1966, 1965, 1962, 1961, 1960, 1956, 1955, 1952, 1950, 1948, 1945, 1943, 1940, 1938, 1933, 1927, 1921, 1907, 1903
3694 PACIFIC	2013, 2008, 2006, 2000, 1995, 1991, 1989, 1985, 1984, 1980, 1976, 1975, 1971, 1970, 1966, 1965, 1962, 1961, 1960, 1956, 1955, 1952, 1950, 1948, 1945, 1943, 1940, 1938, 1933, 1927, 1921, 1907, 1903
3694 PACIFIC HWY	2013, 2008, 1995, 1992, 1991, 1989, 1985, 1984, 1980, 1976, 1975, 1971, 1970, 1966, 1965, 1962, 1961, 1960, 1956, 1955, 1952, 1950, 1948, 1945, 1943, 1940, 1938, 1933, 1927, 1921, 1907, 1903
3698 PACIFIC	2013, 2008, 2006, 2000, 1995, 1991, 1989, 1985, 1984, 1980, 1976, 1975, 1971, 1970, 1966, 1965, 1962, 1961, 1960, 1956, 1955, 1952, 1950, 1948, 1945, 1943, 1940, 1938, 1933, 1927, 1921, 1907, 1903
3698 PACIFIC HWY	2006, 2000, 1995, 1992, 1991, 1989, 1985, 1984, 1980, 1976, 1975, 1971, 1970, 1966, 1965, 1962, 1961, 1960, 1956, 1955, 1952, 1950, 1948, 1945, 1943, 1940, 1938, 1933, 1927, 1921, 1907, 1903

Source Page Images Appendix

KETTNER BLVD 2000

Table listing real estate listings with columns for address, price, and agent information. Includes sections for ZIP CODE 92110 SAN DIEGO, KILBOURN DR 92037 LA JOLLA, KIMBALL TER 91910 CHULA VISTA, and KIMDA CT 91935 JAMUL.

Copyright Haines & Co., Inc. Information on this page may not be stamped, entered into a computer or photocopied, in any manner whatsoever except as authorized in writing by Haines & Co., Inc.

COLUMBIA ST 2000

COLORADO AV 91942 LA MESA

Table listing property details for Colorado Av 91942 La Mesa, including owner names, addresses, and phone numbers.

COLORAMA WAY 92040 LAKESIDE

Table listing property details for Colorama Way 92040 Lakeside, including owner names, addresses, and phone numbers.

COLT LN 92040 LAKESIDE

Table listing property details for Colt Ln 92040 Lakeside, including owner names, addresses, and phone numbers.

COLTER LK CT 92019 EL CAJON

Table listing property details for Colter Lk Ct 92019 El Cajon, including owner names, addresses, and phone numbers.

COLTRIDGE LN (91) 91902 BONITA

Table listing property details for Coltridge Ln (91) 91902 Bonita, including owner names, addresses, and phone numbers.

COLTS WAY 92115 SAN DIEGO

Table listing property details for Colts Way 92115 San Diego, including owner names, addresses, and phone numbers.

COLUMBIA 92101 SAN DIEGO

Table listing property details for Columbia 92101 San Diego, including owner names, addresses, and phone numbers.

COLUMBIA 92101 SAN DIEGO

Table listing property details for Columbia 92101 San Diego, including owner names, addresses, and phone numbers.

COLUMBIA 92101 SAN DIEGO

Table listing property details for Columbia 92101 San Diego, including owner names, addresses, and phone numbers.

COLUMBIA 92101 SAN DIEGO

Table listing property details for Columbia 92101 San Diego, including owner names, addresses, and phone numbers.

COLUMBIA 92101 SAN DIEGO

Table listing property details for Columbia 92101 San Diego, including owner names, addresses, and phone numbers.

COLUMBIA 92101 SAN DIEGO

Table listing property details for Columbia 92101 San Diego, including owner names, addresses, and phone numbers.

COLUMBIA 92101 SAN DIEGO

Table listing property details for Columbia 92101 San Diego, including owner names, addresses, and phone numbers.

COLUMBIA 92101 SAN DIEGO

Table listing property details for Columbia 92101 San Diego, including owner names, addresses, and phone numbers.

COLUMBIA 92101 SAN DIEGO

Table listing property details for Columbia 92101 San Diego, including owner names, addresses, and phone numbers.

COLUMBIA 92101 SAN DIEGO

Table listing property details for Columbia 92101 San Diego, including owner names, addresses, and phone numbers.

COLUMBIA 92101 SAN DIEGO

Table listing property details for Columbia 92101 San Diego, including owner names, addresses, and phone numbers.

COLUMBIA 92101 SAN DIEGO

Table listing property details for Columbia 92101 San Diego, including owner names, addresses, and phone numbers.

COLUMBIA 92101 SAN DIEGO

Table listing property details for Columbia 92101 San Diego, including owner names, addresses, and phone numbers.

COLUMBIA 92101 SAN DIEGO

Table listing property details for Columbia 92101 San Diego, including owner names, addresses, and phone numbers.

COLUMBIA 92101 SAN DIEGO

Table listing property details for Columbia 92101 San Diego, including owner names, addresses, and phone numbers.

COLUMBIA 92101 SAN DIEGO

Table listing property details for Columbia 92101 San Diego, including owner names, addresses, and phone numbers.

COLUMBIA 92101 SAN DIEGO

Table listing property details for Columbia 92101 San Diego, including owner names, addresses, and phone numbers.

COLUMBIA 92101 SAN DIEGO

Table listing property details for Columbia 92101 San Diego, including owner names, addresses, and phone numbers.

COLUMBIA 92101 SAN DIEGO

Table listing property details for Columbia 92101 San Diego, including owner names, addresses, and phone numbers.

INDIA ST 2000

Table with multiple columns containing real estate listings, including addresses, phone numbers, and agent names. Listings are organized by geographic area such as IMPERIAL BEACH, SAN DIEGO, and SAN MARINO.

COPYRIGHT HAINES & CO., INC. INFORMATION ON THIS PAGE MAY NOT BE REPRODUCED, ENTERED INTO A COMPUTER OR PHOTOCOPIED, IN ANY MANNER WHATSOEVER EXCEPT AS AUTHORIZED IN WRITING BY HAINES & CO., INC.

PACIFIC HWY 2000

Table with multiple columns listing property addresses, owners, and contact information. Includes sections for ZIP CODE 92110, ZIP CODE 92111, ZIP CODE 92112, ZIP CODE 92113, ZIP CODE 92114, ZIP CODE 92115, ZIP CODE 92116, ZIP CODE 92117, ZIP CODE 92118, ZIP CODE 92119, ZIP CODE 92120, ZIP CODE 92121, ZIP CODE 92122, ZIP CODE 92123, ZIP CODE 92124, ZIP CODE 92125, ZIP CODE 92126, ZIP CODE 92127, ZIP CODE 92128, ZIP CODE 92129, ZIP CODE 92130, ZIP CODE 92131, ZIP CODE 92132, ZIP CODE 92133, ZIP CODE 92134, ZIP CODE 92135, ZIP CODE 92136, ZIP CODE 92137, ZIP CODE 92138, ZIP CODE 92139, ZIP CODE 92140, ZIP CODE 92141, ZIP CODE 92142, ZIP CODE 92143, ZIP CODE 92144, ZIP CODE 92145, ZIP CODE 92146, ZIP CODE 92147, ZIP CODE 92148, ZIP CODE 92149, ZIP CODE 92150, ZIP CODE 92151, ZIP CODE 92152, ZIP CODE 92153, ZIP CODE 92154, ZIP CODE 92155, ZIP CODE 92156, ZIP CODE 92157, ZIP CODE 92158, ZIP CODE 92159, ZIP CODE 92160, ZIP CODE 92161, ZIP CODE 92162, ZIP CODE 92163, ZIP CODE 92164, ZIP CODE 92165, ZIP CODE 92166, ZIP CODE 92167, ZIP CODE 92168, ZIP CODE 92169, ZIP CODE 92170, ZIP CODE 92171, ZIP CODE 92172, ZIP CODE 92173, ZIP CODE 92174, ZIP CODE 92175, ZIP CODE 92176, ZIP CODE 92177, ZIP CODE 92178, ZIP CODE 92179, ZIP CODE 92180, ZIP CODE 92181, ZIP CODE 92182, ZIP CODE 92183, ZIP CODE 92184, ZIP CODE 92185, ZIP CODE 92186, ZIP CODE 92187, ZIP CODE 92188, ZIP CODE 92189, ZIP CODE 92190, ZIP CODE 92191, ZIP CODE 92192, ZIP CODE 92193, ZIP CODE 92194, ZIP CODE 92195, ZIP CODE 92196, ZIP CODE 92197, ZIP CODE 92198, ZIP CODE 92199, ZIP CODE 92200.

Copyright Haines & Co., Inc. Information on this page may not be keybanned, entered into a computer or photocopied in any manner whatsoever except as authorized in writing by Haines & Co., Inc.

WALNUT AVE W 2000

Table listing real estate listings for Walnut Ave W, including addresses, owners, and contact information.

Table listing real estate listings for Walpen Dr 92154 San Diego, including addresses, owners, and contact information.

Table listing real estate listings for Wanda Ct 92120 San Diego, including addresses, owners, and contact information.

Table listing real estate listings for Warbler Way 92037 La Jolla, including addresses, owners, and contact information.

Table listing real estate listings for Walnut Dr N 91911 Chula Vista, including addresses, owners, and contact information.

Table listing real estate listings for Walnut Dr 92040 Lakeside, including addresses, owners, and contact information.

Table listing real estate listings for Walnut Tree Ln 92021 El Cajon, including addresses, owners, and contact information.

Copyright Haines & Co., Inc. Information on this page may not be reprinted, entered into a computer or photocopied in any manner whatsoever except as authorized in writing by Haines & Co., Inc.

KETTNER BLVD 1984

(619) 231-3801

LOCALLY MANUFACTURED.

KETTNER BLVD-Cont'd
2334 Vacant
2336 Vacant
2344 Waterfront The cocktail lounge 232-9650
2345 Shauna & Wright Inc electronic equip whol
2350 Nuncio Adam 234-5876
2353 1/2 *Bastinconni, Rosanna
2356 Keene M J Mrs @ 232-6643
2357 Davis L 233-4662
2362 Hippood Peggy
2364 Mulligan Harry O
HAWTHORN ST INTERSECTS
2100 Thrifty Rent-A-Car 239-2281
2101 Tap-Co Products whol transmission parts
2103-6215
2118 Airport Auto Body & Paint 234-0529
2126 K G Ceilings ceiling mntn & serv
2118-8841
2131 Pioneer Air Conditioning Co auto 234-6721
2174 Cutri-Medius Trans Sales Management
Auto rental 239-1191
2182 Parkers Garden L Co mfrx apt 232-0721
W IVY ST INTERSECTS
2205 Vacant
2210 Taylor-Dykema Mig Co wood prod 232-6306
2212 Central Ophthalmology 234-0078
2227 Rensch James L
2228 Household Co Whseal
2229 Ulba Remov
2241 *Chimera Antonio @ 238-0716
2245 *Argentine Domingo 236-0600
2253 *Frait Richd 233-1546
2256 *Tellez What Co Whseal
JUNIPER ST INTERSECTS
2308 Campus Lending Inc 239-7126
2310 Vacant
2311 Photographic photograph stock photo 234-4431
2313 Check com photography 234-4432
2313 *Sarna photo processors 233-5456
2321 Graphic Ink printing 234-4747
2327 Vacant
2345 *Gangitano Jas 239-1263
2347 Basidas Miguel 234-8208
2365 All Star Glass Co auto glass whol-ret
231-9885
2368 Bethlehem Imports Inc 233-6822
W KALMIA ST ENDS
2400 R T C gourmet cookware
Rudy's Custom Draperies 236-1741
Toyland Distributors Inc whol
2404 Gonzalez Jesus B @ 239-5814
2427 Mayoral Hector 232-5878
2429 *Rydman Jay
2437 *Mc Combs Jay 232-5541
2438 Olin Rob 232-1259
2435 Vacant
2435 1/2 *Rejos Edw
2443 Sanfilippo Margt Mrs @ 239-6494
2453 Lachi Rent-A-Car (Annex)
LAUREL INT EXPTS
2501 Club The tavern 239-4877
2525 Vacant
2528 Kearny Mesa Federal Credit Union (Br Ofc)
234-1946
2535 *Fracaloni Frank 238-9826
2557 Jackson Stanley B 234-8640
2559 Boyer & Brass typesetting & graphic arts
238-1235
MAPLE ST INTERSECTS
2691 Mc Namara John
2694 *Billard Bob
2698 Edison Keenath 236-1990
2697 Gurnsey Floyd M 236-2167
2699 Vacant
2811 Highland Allen
2806 Sense Printing 236-9706
KILDEEN ST INTERSECTS
2721 Culligan Water Conditioning Of San Diego
Inc 291-0450
2730 Vacant
2750 Noyenesh Printers Inc 297-2281
Super Color printing 297-4990
OLIVE ST INTERSECTS
2804 Kettner Radiator Shop rep 236-5171
2812 Flight Path tavern 574-6581
PALM ST INTERSECTS
2929 Cosmos Characters & Classics costume
rentals 297-1053
2942 No Return
2946 Vacant
2960 Vacant
2962 Vacant
W QUINCE ST INTERSECTS
3002 Coloma Fidel @ 298-2980
3020 Tommy's Furniture Repair 296-8451
3026 Adams Rent A Car 297-8811
3150 Airport Park & Ride 295-2825
SASSAFRAS ST INTERSECTS
3334 J.Nine Design woodworking 272-0121
3335 Bodywerks Auto Body & Fender Co 296-6148
3343 A C Company genl eng contrs 291-7422
3344 A C Company (Annex)
THORN ST INTERSECTS
3456 Congeshall A W Plumbing Fixtures &
Supplies 295-3149
W L'PAS ST INTERSECTS
3580 Park And Ride Co airport valet parking serv
295-6659
3554 General Electric Co ssk & serv 297-2975
Hospital sta & serv 291-3647

3586 Lapidary Journal Inc book & magazine publs
297-4841
3574 Paragon Design Co eng graphic arts servs
291-7870
3590 Arts & Crafts Press coml printers 297-0281
3634 Apartments
1 Gateway Plm M 293-8548
2 *Landrum Chun L
3 Nu Return
4 *Cotton Hoy A
5 Vacant
6 *Rogers Keith 295-4651
7 Vacant
8 Vacant
9 Sepu Pete
10 *Nickelsoe Ron
3848 Stewart John Studio graphic design 291-4729
CHALMERS ST INTERSECTS
ZIP CODE 92110
ANDREWS ST INTERSECTS
3739 *Ludwig Alf F
3765 *Muller T S 574-8249
3787 Learning Margt L Mrs @ 296-2304
MC KEE ST INTERSECTS
3803 Oelm Walter R @ 296-1840
3809 Pires Joaquin M @ 296-4947
3821 Cervati Charlon W @ 296-8000
3828 Koonce Henry J @
3830 Roberts Margt M Mrs 296-1366
3831 *Williams John M 296-4866
3831 1/2 Lewis Richd
3832 Antes Dorothy L 299-5818
3833 Traylor Josephine L Mrs @ 291-0953
3838 Goodwin Charles B
3839 *Cannon Victor
3841 No Return
3843 *Guerrero R M 296-7390
3844 No Return
3854 *Duchak N 297-2091
3847 Victoria Jose J @
3848 Parking Lot
PRINCIPLE ST INTERSECTS
3857 Vacant
3868 No Return
3868 *Bravati K 585-7690
KEW TER --FROM 3480 NUIMEG ST SOUTH
ZIP CODE 92124
2536 Smith Manuel R @ 284-6564
2604 Gonzalez Rob: 285-0402
2609 Chadwell Charlotte Mrs @
2610 Stewart Mabel E
2616 Williamson Michl D @ 282-5558
2618 Burke Wm L @ 284-7785
2622 Vitacore Robt A @
2624 Pasquill Paul @ 285-5343
KEYSTONE CT --FROM 11176 GANESTA RD
EAST THEN NORTH
ZIP CODE 92126
8580 Garland Frank D 586-5736
8581 Javier Chando C @
8585 *Ottman Jay C
8588 Gonto Larry R 678-3040
8575 Mc Kine Wm A @ 578-1014
8578 *Tackerman W Bruce 605-2459
8581 *Villa Prinsoball A @
8589 Simpson Kay Mrs @ 578-2066
8595 *Pecheno Susan A @ 578-5027
8599 Langhammer Mary Mrs @ 566-7590
8608 Curry Patk J 666-2312
8609 *Fleischman Robt J 666-2460
8613 Bonn Larr O 666-5849
8628 Christensen Comp @ 578-1867
8629 *Nasamento Brian @ 578-9173
8638 Ulrich Robt 578-0667
8648 Zylha Dennis @ 578-4467
8648 *Mestzler Michl @
8648 *Herbert Julia @ 606-2606
8653 *Hinton Stagh B @ 609-0726
8659 *Bishop Regis K @ 693-8724
8668 Garland Steve C @ 578-7661
8669 Houcheu Harry @ 571-4744
8678 *Schodding Michl A @ 588-3174
8698 Mansfield L K @ 598-4207
8699 Sadtler Steven D @ 578-6168
KIHLER DR --FROM SOUTH OF JADE
COAST RD NORTH
ZIP CODE 92126
10048 Under Constr
10101 Under Constr
10139 *Villar
10147 *Bunaga Owen @ 688-8454
JADE COAST RD INTERSECTS
10151 *Farrington Alan @
4825 Klotsche Erich A @ 278-0083
4825 *Rostock T
4832 Harvey Edwin D @ 585-4106
4835 *Harris Edward W @ 277-3742
4842 Agusyo Alf J @ 277-5430
4852 Van Bello Theo M @ 278-4035
4858 *Adamson Steve @
4862 Powell Wm J @ 277-0792
4874 *Hixon Frank
MT ROYAL AV BEGINS
KINGSLAND RD --FROM 2800 GREENWING
DR EAST
ZIP CODE 92123
8407 *Ten Lee J @ 565-2536
8415 Duhruil Roland @ 279-6261
8425 *Bunce Thos W
8426 *Shils Everett @ 565-4590

4837 Chan Harry K @ 278-8284
4838 *O'Neil Norma V @ 272-9836
4837 Frank T W 270-0691
4846 Vacant
KILDURN DR (LA JOLLA)--FROM 5506
SUGARMAN DR NORTH
ZIP CODE 92037
8901 Lazonow Herbert J @ 453-2898
8902 *Schmidl John J 453-8854
8911 *Gershin David H @ 453-6933
8920 Brown Charlon R @ 453-4955
8921 Kalin Joseph M Jr @ 453-0280
8921 Kohn Lois M Mrs @
8941 Wolfe Elaine W Mrs @ 453-8666
8950 No Return
8961 *Bevon Ronald D 453-6003
8960 No Return
8961 *Orloff Marshall J @ 453-2709
KILBEE ST --FROM 5100 CONRAD AV
NORTH
ZIP CODE 92117
5031 No Return
5032 *Strait Dale F @
5035 *Alvareso Esiquiel @
5010 Tran Vinh @ 292-4996
5017 Wello James R S @ 277-3389
5018 Nguyen
5025 Belle Howard R @
5026 *Kosow Ray W
5023 *Heath Thos C @ 277-1982
5034 *Greenlova Wm Jr 565-0374
5041 Rice Ray H @ 285-3223
5042 *Soelle Lois M Mrs @ 565-1819
5043 No Return
5056 *O'Leary Kenneth W 569-4732
5067 *Tan Khuong @
5058 Lutz Robt J @ 292-4305
5062 Vacant
5066 Hauts Theo H 278-4820
5073 *Degan Sarah Wm 277-3408
5074 Rose Ralene L @ 277-3254
5081 *Pouso Naga
5082 *Gee Wm E
5088 Bernard Dewey M @ 278-4242
5089 *Beilin Robt A 278-7592
5098 *Fampel Mary Mrs @
KILT CT --FROM 4246 KIRKCALDY DR
EAST IN A CIR
ZIP CODE 92111
7613 *Morey Dennis M 565-1665
7614 Eggert Geo F Jr @
7623 Rian Edw 278-9546
7624 *Crowe Hubert L @ 278-1078
7634 *Allison Hans
KIM PL --FROM 6500 BLE RONDA AV
NORTH
ZIP CODE 92123
2602 Crown Gertrude C Mrs @ 477-3127
3808 Lenompt Ym R @
2614 Cowart Walter C @ 560-7822
2615 *Jamison David C 278-7567
2628 *Walt Kenneth W @ 278-2946
2627 *Plury Gerald D @ 565-9886
2639 *Arbuthnot Steve W @ 371-5022
KING ARTHUR CT (LA JOLLA)--FROM 5706
LA JOLLA SORNIC DR WEST
ZIP CODE 92037
2307 Metro Oil Products Inc oil gas products
459-8075
8001 Henry 459-8075
2308 Sullivan Jas O @
2321 *Forbes Geo @ 466-0205
2326 No Return
2328 Redmond Bruce N 469-8921
2349 No Return
2353 *Heldmann Raymond L @ 454-7923
2366 Miller Robt W @ 469-4907
2377 *Breithen Donald W @ 469-6286
2390 No Return
2391 *Schorn Victor G
KINGS WAY --FROM 4850 DIANE AV
NORTH
ZIP CODE 92117
4805 *Harrison Jeff 278-0649
4812 *Foster Wayne K @ 277-5667
4815 No Return
4825 Klotsche Erich A @ 278-0083
4825 *Rostock T
4832 Harvey Edwin D @ 585-4106
4835 *Harris Edward W @ 277-3742
4842 Agusyo Alf J @ 277-5430
4852 Van Bello Theo M @ 278-4035
4858 *Adamson Steve @
4862 Powell Wm J @ 277-0792
4874 *Hixon Frank
MT ROYAL AV BEGINS
KINGSLAND RD --FROM 2800 GREENWING
DR EAST
ZIP CODE 92123
8407 *Ten Lee J @ 565-2536
8415 Duhruil Roland @ 279-6261
8425 *Bunce Thos W
8426 *Shils Everett @ 565-4590

8431 *Blane Colleen I Mrs @ 268-9512
8436 Choneta Sand C @ 277-7862
8439 Clinephy Anne K Mrs @ 277-1106
8446 Pelti Tai S @ 278-4648
8447 Ritz John H @ 278-5368
8455 *Crawley Marah @ 576-0104
8458 *Gotsch Chan H
8470 Patch Robt C @
8471 *Holquist Alker C @ 278-9198
KINGLEY ST --FROM 290 ROSECRANS ST
NORTHWEST
ZIP CODE 92105
3005 No Return
3021 *Richardson Joseph L @ 222-2436
3022 *Willa Mary M Mrs
3023 *James S A @ 228-5811
3030 Mc Cateleen Elsie P Mrs @ 222-7786
3035 *Fegan Joe C III @ 223-3421
3036 No Return
LOQUIT ST INTERSECTS
3104 Rask Philip N @ 222-8793
3105 Brown Erlo V @
3111 *Kunzler Leslie @
3114 *Wesbury John A @
3121 Zanetti Ada J Mrs @ 223-0938
3122 *Kennedy Martha A @ 223-8878
3128 *Holman Joseph H @ 222-4188
3121 *Harrel Richd F @ 223-3734
3136 *Schick Charles H @ 223-0042
3141 Gillespie James P @ 224-5492
EVERGREEN ST INTERSECTS
3212 Mc Krown Virginia C Mrs @
3228 *Heiser Cash A @ 224-5597
CHATSWORTH BLVD INTERSECTS
CHATSWORTH BLVD INTERSECTS
3901 *Gonsalves Joseph @ 222-0138
5607 *Jesse Robt L @ 224-5252
3696 De Lira Ruben @ 223-6390
3507 *Correa Manuel @ 225-0722
3510 *White Robt C @ 223-1735
3811 *Friedle Lois E Mrs @ 222-9828
3814 *Britt Virgil C @ 223-0451
3815 *Hovell Danl A @ 222-1638
3818 *Cavalho Ralph J @ 222-1897
8821 *Rodriguez Cosentino
3822 *Gonzales Manuel C @ 222-6026
3826 *Hall T F @ 222-1810
3828 *Lendrum Joan E @ 222-1852
3829 *Vera Richd A 222-6416
3830 *Barrosin C Phil @ 224-7965
3833 *Joseph J Edgari @ 226-2055
3836 *Saleebay Henry S @ 223-3836
3841 *Nadeau Maurice T @ 224-1634
3841 No Return
3842 *Walker Michl E 224-4337
3843 *Elkins Eric 223-1355
3848 No Return
3863 *Harroun Douglas B 223-3966
3864 *Sweet Kenneth A @ 224-1537
3865 *Thompson Paul J @ 223-1321
3860 *Baker Renee J
2702 *Palmer John T @ 224-4996
3708 *Bruni Amadeo J @ 224-1330
2711 *Boyle John D @ 222-9030
3714 *Nichols Joseph A @ 223-6422
3719 *Foster Wm D @ 224-5389
2720 *Dunne Christopher J @ 224-1961
3725 *Johnson Douglas C @
3728 *Moriz Joseph A @ 222-2936
3780 *Hurr Ralph G @ 224-7425
3781 *Trenchado Alice Mrs @ 222-5875
3797 No Return
3799 *Boas Geo T @ 224-4598
3743 *Wright James 223-5442
3744 No Return
3748 *Gray Scott C 223-4557
3749 *Halt Ralph E @ 224-2587
3756 *Landon Percy E 224-1669
3756 *Moore Elliott S Jr 224-1192
3760 *Brannen James L 223-8228
3781 *Thompson Robt D @ 223-0018
POINSETTIA DR INTERSECTS
KINGSTON CT --FROM 3271 OCEAN FRONT
WALK EAST
ZIP CODE 92104
714 *Moody Betty A @ 488-3372
717 *Maddy Mike 488-0108
717 1/2 *Richardson Shawn
718 *Cruz Judy 488-8032
719 *Hatcher Mark 488-5516
721 *Rook Harold @ 488-4143
722 Vacant
725 *Duncan Robt R 488-0742
725 *Souza Den 278-4096
725 *Nicoli Dawn 488-3167
728 *Heubolin Edmund F @ 488-4505
MISSION BLVD INTERSECTS
801 Vacant
801 No Return
805 *Chavez Gregoria
801 *Sosa Duwayne
805 *Ripollino Paul J 488-4992
810 *Angle David C 488-4165
811 *Mc Carthy Brian @ 488-6575
812 Vacant
814 *Whitler Terrance D 488-4904
815 Vacant
816 *Simmons Rhod W 488-6435
817 *Elsaki Beverly S 488-8408
BAYSIDE LANE INTERSECTS
821 *Janki Sue 488-9147
823 *Wigshaus Virginia A 488-6925
824 *Rowen Terel @ 488-7799
825 *McLeod Gilbert @ 488-0782
BAYSIDE LA INTERSECTS

GLENWOOD DR 1984

GLENHAVEN ST--Crossed
86494 Taylor I
85504*Traxler Brock 278-5114
86511 Watson Jean C 278-6215

6411 Eisinger Harold M @ 297-5900
64306*Wright Greg 298-4126
9421 Donovon Wm @ 582-3151

6656 Yong Ling @
8675 Schatzko Paul @ 453-2474
8887 Peterson James R 453-1228
GLENWICK PL BEGINS

8471 Merril Chas L @ 271-2966
CORNSICA ST INTERSECTS
6519 Wilat Geo M @ 277-4498

SANDROCK RD INTERSECTS
8700*Marshall Thos O 511-2776
8780 Vacant
8790 Whitaker James T @ 588-5522

6568 Price Elaine @ 266-7674
8510 Curry Robt H @ 582-3053
8513 Joseph Irene E @ 582-3720

GLENWICK PL (LA JOLLA)--FROM 6887
GLENWICK LA WEST
ZIP CODE 92037
2711 Archibald Gustaf C @ 453-2255

6877 Page Wm M @ 278-7581
Information Software Service Inc computer
software/banking 269-1984

GLENLEA LA--FROM 6000 RIDGEMOOR DR
EAST
ZIP CODE 92126
5617 Greenstein
8820 No Return
8940 No Return

6580 No Return
8690 Heudtich Bay
8700 AV INTERSECTS
GREENBRIER AV INTERSECTS
8727 Paden Floy Mrs 263-4643

GLENWOOD DR--FROM 3570 UNION ST
WEST
ZIP CODE 92103
1804*Shihaj Jay B @ 291-1589
1806*Day Helen A Mrs @ 295-7263

6702 Bobek Louis @ 276-7311
6712 Viljo Viera Apartments 278-4871
1*Gaglione Robt 278-6082

GLENMONT ST--FROM 5817 MARNE AV
EAST
ZIP CODE 92126
6391 Rattice Paul @ 588-1371
6311 No Return
8321 No Return

6820 No Return
8629 Jackson Roland B @ 685-0352
8660 Schulz Frank K @ 683-4471
8683 Sullivan John D @ 286-9223

GLENWOOD DR--FROM 3570 UNION ST
WEST
ZIP CODE 92103
1804*Shihaj Jay B @ 291-1589
1806*Day Helen A Mrs @ 295-7263

6730 Apartments
1 Stuart Patricia A 279-8231
2 Johnson Beatrice
3 Dawson K F 277-2001

GLENROY ST--FROM 5190 ORCUTT AV
SOUTH
ZIP CODE 92126
8903 Baker Robt J @
8402 Mikesell Jane E Mrs @
8418 Horvay Roy A Mdg cntr @ 582-0152

GLENWICK LA (LA JOLLA)--FROM 6880
DUNAWAY DR WEST THEN NORTH
ZIP CODE 92037
6209 Williams Eise A Mrs @ 278-2677
6232 Horton Paul @ 483-4691

GLENWOOD DR--FROM 3570 UNION ST
WEST
ZIP CODE 92103
1804*Shihaj Jay B @ 291-1589
1806*Day Helen A Mrs @ 295-7263

6742 Apartments
1 Dentinger Mitch 268-8292
2 West Rodney
3 Ramirez Michl

LINDA VISTA RD INTERSECTS
BUNYON ST INTERSECTS
8827*Patterson Steven S @ 298-6326
8832 Stm Kell Wm @ 560-2926

INDIA ST 1984

THE TRIBUNE

FREE DELIVERY 293-4141 293-2121 ALL OTHER DEPARTMENTS 293-3131

441

INDIA ST-Contd 1732 Tarentino Carmela Mrs @ 233-0632 1622 Lopez Guadalupe G @ 1804*Vazquez Dani R 234-9286 1806 Balistreri Antonio 233-4755 1809 Escobedo Everado 233-8734 1827 Scarab Potter pottery-ret 234-5739 1844 Daniels II G Co artist & drfstng supe 232-6661 1847 Addressing And Business Machines Co mfrs agr 232-8644 FIR ST INTERSECTS 1909 Nelson Photo Supplies (Shaw Room) 1917 Nelson Photo Supplies repr 234-6761 1943 Balistreri Frank 233-8434 1949 Sardina Tom @ 234-4254 1953 Ty's Printing & Engraving Services Inc 234-8787 1961 Vacant 1871 L Indie Shop restr-mexican foods 233-3960 GRAPE ST INTERSECTS 2008 Trevi Car Rent-A-Car 233-3008 2027 Musico Joseph 233-3675 2028*Cruchola Giovanni 2030 Vince's Barber Shop 239-5966 2021 D'Amico Antonio D 224-9981 2032 Casa De Luce Apartments 141 Joyce Larry M 234-5567 2 Bayes Maria 3 Campos Abraham 233-2972 4 Arizmedil Ruben 2033 D'Aquino Phyllis Mrs @ 233-5806 2034 Arzac Vinyl Co vinyl repr serv 232-5808 2038 Esquer Gilberto V 2040 Vacant 2043 Tambiolo Marin T 235-4590 2045 Odio Ignacio 233-8284 2046*Devicio Marco A 231-2942 2048 No Return 2060 San Diego Plating planta 232-7565 2061 Mount Lisa Italian Rest No 4 234-4003 San Diego Importing Co foods 233-6367

HAWTHORN ST INTERSECTS 2103*Ballajo Cosme 2109 Vacant 2104 Vacant 2107 Vrizeno Bardonino 2111*Ortega Jose B 232-9173 2116 Dennis Alicia G Mrs 2119 Ferris Olivio 2130 United American Italian Club 2131 Vacant 2132 Flu Merc 2134*Hammitt Carlos 232-7251 2138*Campanham Eln 2138 1/2 Garcia Elias 2140 Cook Helen L 232-6944 2140 1/2 Codipost Tina Mrs 232-5749 2142*Olsen Patricia 233-8186 2142 1/2 Dolores Harrison T 231-3891 2144 Hitchens I 2144 1/2 Sockala Michl 2148*Cook Bob 233-4588 2157 International Human Resources Corp emp agcy 232-8666 A Vacant 2161 Color Mart painting sups 233-1191 2165 Indis Street Flower Market Boris 230-1006 2171 Building Resemant Gold Coast Engineering 235-4487 Sullas A Walters Lynn & Associates archts 232-1677 A Arnedo & Associates archts 239-6114 A Shunkiewicz Gerald W archt 233-8384 A California Nurses Bureau nurses registry 233-8921 A Baker & Kaplan Limited rest eat 234-5303 B Harbortstein Seiner Service bkpr serv 233-8939 C Bell Evans Yamasato & Co architects 233-2311 D Vacant E Playtime Parties litespartys novelty store 233-8343 F Ronald Owen in bldg contr 234-1707 F Rowetter Realty & Investments 232-6332 F King Sutin Interior Design 233-5593 H Harris-Makios Advertising Inc 232-3040 K Resomer Aileen art 233-8614 K Rowe Judi mgf repr 232-9020

STREET CONTINUED IVY ST INTERSECTS 2202 Vacant 2204 Vacant 2215 Vacant 2220 De Brito Francine Mrs @ 238-0968 2230 Aarso Antonio A @ 234-0789 2236 Vacant 2240 Giangiano Lena Mrs @ 232-3640 2270 H & R Automotive Service 232-3714 W JLNIPER ST INTERSECTS 2304 Camara Mary @ 232-2584 2305 Potton Engineering Co scationary emp 232-2584 2306 Civalto Elena Mrs 243-7815 2307 Bob Dann & Dale Pousner Architects inc dec 232-2292 2314 Vacant 2315 Borrelli Michael & Associates designa & craftsmen 233-2642 2316 Conesi Frances Mrs @ 232-5370 2326 Custom Repair Construction 233-4811 2328 Pirroni Pace @ 233-3958 2329 Arnold & Arnold mfrs inc adj 233-1096 2332 Sandho Ralph Furniture Repair 234-0875 2355 Used Car Tavern The used car adj 233-1200 2360A Chidrey & Son Silvermath & Music Instrument Repr 234-0454 2360B Sea Lion Marine maries repr 235-0614 2367 Golden West Rem-A-Car 231-0525 2376 Vacant

KALMA ST INTERSECTS 2400 Clay Dry Cleaners 234-6509 General Uniform Corp rest 234-9286 2414*Vass 2414*Vass 2416 Yasunovska 234-4749 2418 Vacant 2420*Evaynt Jean 232-5621 2422*Alkouran Jorge R 233-5941 2424*Blunt Ardelt 2424 1/2 Alatorre Antonio C 233-3919 2426 Moya Elvia M 233-0204 2429 1/2 Johnson Sherman 232-8718 2435*Guadalupe Marie 2439 1/2*Joy Billie 232-4555 2439*Martinez Maria T 2439*Woto F O 233-3889 2438 Mc Intosh Debra Mrs 233-6030 2440*Moore The 2442*Garcia Pedro 232-7656 2442 1/2*Comer P Thos 233-2610 2444 Truhan Victor V 233-6087 2445 1/2 Vacant 2446 Enrico Albert 232-8281 LAUREL ST INTERSECTS 2504 Lodford Muriel A 230-1049 2505*Hermanos Maris 2429 1/2*Joy Billie 232-4555 2520 Martinez Cruz 2528 Gomez Salome 233-8710 3530*Manos Maria 3533*Hermanos Pacifica 2540 Reuter Randim 234-2625 2544*Medeira Gabriel 234-1798 2548 Lopez Satebas 2552 No Return 2554*Gonzalez Miguel 234-4749 2555*Gonzalez Miguel 234-4749 MAPLE ST INTERSECTS NUTMEG ST INTERSECTS OLIVE ST INTERSECTS 213 CODE 94193 2837 Lopez Felix 233-6368 2839 Vacant 2849 Boughten Gerald 209-9499 2867 Fenwick J J 274-7687 Vacant 2869*Strick Donald I 692-1264

FALM ST INTERSECTS 2921*Cornelio Oreste 2922*Lozano Leo A 2923 1/2*Trullen Ed 2927 Apartments 1 Linden R A 2*Singler Sol P 291-1782 3 Brockman Howard L 4 Johnsonson O L 291-2193 2971 Lawman Photography The 258-0732 397A Vacant W QUINCE ST INTERSECTS 3009 Silva J M Mrs @ 296-6440 3035 Hestwood Machinery & Supply Company inc 296-6155 3051 Bench & Lumb Inc 296-6806 3055 Camera Ready Graphics graphic design 244-0806 3056 Vacant REDWOOD ST INTERSECTS 3183 Raffae Complust Carpet Cleaners 296-6182 3129 Vacant 3141 Turronagra Michl R 245-8332 3153 Occupational Therapy Associates 291-8623 3153 1/2 Vacant 3167 Marala By Teri 296-3468 3178 A Different Drum cocktail lounge 296-6789 3178 1/2*Quinn Auto Sales 296-4799 SPRUCE ST INTERSECTS 3211 Import Mrs Co dealers & repr 291-9666 Mc Kane's Range Rover & Land Rover Sla land rover parts & serv 291-7871 3231 Mission Hills Auto Body 295-3988 3241 Grand Prix & Le Mass Auto Repair 692-9579 3265 Do-All San Diego Co mach emp 291-4600 SASSAFRAS ST INTERSECTS 3325 Greengrass Murray Construction bldg contr 882-9164 3341 Bailey Rich W 3341 Vacant 3341 1/2 Rodriguez Jesus 296-2322 3343 Young Rept T 3343 1/2 Garcia Malaquias M 3345 No Return 3347 No Return 3351 Admiral Terrells Inc 296-6805 Admiral Construction Co genl contr 236-1857 Mission Park Residencs 296-4910 3351a Su-Mi-Ku Oriental Massage Parlor massage parlor 296-5589 3353 No Return 3354*Rogers Kevin R 3355 Raza's Auto Club Levern 274-9756 3357 Tung Electric Motrie 233-3961 3443 Comports enqat bnl coarts 294-5978

1/3 PAS ST INTERSECTS 3534*Alonso E 296-3464 3538 Vacant 3597 Steves Sonia 297-1056 3599 Esquer-Duarte Antonic 692-4425 3611 Vacant 3612 Michl Rept 3613 1/2 Vacant 3614 Vacant 3615*Swain & Associates real est clk 297-2270 3626 Keyser Chovern Service 280-1787 VINE ST INTERSECTS 3655 Amfac Drug Supply 286-7251 GLENWOOD DR INTERSECTS 3685 Tonya Unico Soveny Str 238-1618

WALNUT AV INTERSECTS 3615 James Automotive Service 297-8096

3617 A T S Automatic Transcmission Service 291-0251 3623 S & M Printing & Graphic coml prnt 293-2922 3624 George M Photography 297-7878 3645 Dudge-H Home Remodeling Inc 293-3364 3647 Comco cabt mfrs 574-0343 Sanford Robertson Interiors furn-ret 574-0343 3649 American Public Co whnl 291-2823 3659 Building ROOMS 100 Vacant 104 Sate Diego County Carpenter Group insurance 200 Gottlieb & Company real est 571-8609 201 O'Mara Colville & Co 291-1100 203 Farmacia Insurance Group (Dist Ofc) 296-6723 203 Carilla Minton J the genl hse 299-6773

STREET CONTINUED 3657 Munde Box tavern 3674 A Cos Clodie C 3675 Vacant 3685 Randolph Loma 297-0763 3687 Seymour Cath Mrs 296-4064 3689 Dillon Helen Mrs 3689 1/2 Indio Tonillo Shop perfilla mfrs 209-0353 3689 1/2 Pasqueira Ralph K @ 299-0748 3697 Baroni's Corner beer & wines 298-9592 WINDYBIR ST INTERSECTS 3701 Vacant 3711a Vacant (3711a-3711b) 3715 Canora's Sandwich Terrace restr 291-8336 3717 Manupia Public Theater The 295-8111 3718 Maquis Gallery Theater live theater 295-8111 3731 Maquis Public Theater Corp theater operator 296-7874 3735 Vacant 3735 1/2 Angas Massage 692-9025 2737 Doodin Burgara restr 295-5121 2741 Language World language classes 602-8181 2743 Language World (Annce) 2743*Community Arts 2745 1/2 Busch Scott J 692-1251 2748 1/2 Language World (Annce) 2753 Vacant

INDIAN WAY -FROM 4400 CLAIREMONT AV WEST ZIP CODE 92117 3689 Vacant 3689 Curley Arouck 275-2684 3686 Bluzenz Mary R @ 378-2815 3657 Fisher Tom J @ 275-2292 3678 Lucero Paul 443-9766 3675*Rayas Jorge A 443-3766 3675*Mochar Toml 3684*Wagon Jean M @ 3684*Wagon Antonio @ 3690 Coates Geo M @ 274-5174 3710 Carlson Bob H 375-7973 3711a Helen Howard 3717 Swap A Dapo 374-0163 3780 Iverson Thor L @ 3792 Burson Jean A Mrs @ 295-7137

3678 Vacant 3685 Ambrose Kings 3618 Hoff Loren K @ 296-1515 3621 Apartments 1*Barver K 2*Blumstein Bill 299-2369 3*Barry M 4*Reedick B 5*Schary Herbert G 874-7596 6*Deberry Harry 236-9553 7*Manly Hay Mrs 8*Brudshaw Eric 9*Gutier J 10*Carry E P @ 295-5378 3622 McKeon L D 3630*Hortice Cathy 3633 Apartments 1*Hubala B 2*Anuro L 574-7658 3*Strifling J 4*Shapley M 5*Carver J 6*Hines M 7*Rigo J 8*Snook V 299-6327 9*Hippus Bill 294-9923 10*Finklers T 295-6815 11*Huffer R 12*Peterson 13*Kocher M 692-2094 14*Stewenson G 574-7627 15*Piper 16*Gilbert H 17*Holt R 296-1649 18*Thomas M 20*Cutling J 22*Ray F 23*Loganeshi B 24*Mc Laughlin C 25*McCormick C 27*Fliter R 28*Peppu J 29*Lamas D 3034 No Return 3038 Daullison Doris M Mrs 296-1255 3038 Hestwood Wilben 3040 Moyorge Malcolm R 298-4062 3049*Castana V 3049 Apartments 14*Promet K 2 Alsup D I Mrs 296-2545 3 Miller D 4 Alex Rebt E 297-9651

WASHINGTON ST INTERSECTS ANDRUKWS ST INTERSECTS 3766*Belamy Wm S 692-3674 3766 1/2*Quinn Phyllis W 3785*Monte Massimo 3770*Collidewek Alan B 291-2489 3772*Wilson M L 692-1914 3772 1/2*Hazel Howard 3778 Swap A Dapo 374-0163 3780 Iverson Thor L @ 3792 Burson Jean A Mrs @ 295-7137

INDIANA ST -FROM 1806 E UPAS ST NORTH ZIP CODE 92103 3693 Cristina Marcell J @ 296-0841 3693 Indiana Apartments 293-3901 3693 Indiana Apartment 296-8239 24*Kingberg Sheila 3*Grospeud Paul 4*Chalmers Phyllis 5*Turner M 291-5280 6 Reed Walker R 296-1268 7 Bowen Thoms F Mrs 296-7410 2514 Bestmond Clarie T Mrs @ 295-2901 3515 No Return 3517 Waka Glenn J Mrs 3522 Ellis Enghra Mrs 692-8224 3524 Vacant 3524*Willard W D 3530 Pugh Ann 3532*Friedrich Michl 296-4865 3537 Mioter Daisy Mrs 3538 Parker 3544*Coll James T 234-1677 3545 Eason Mel 3546 Pullington Lawrence V 295-8301 3547*Humb Walter T 295-4397 3548*Baron Roger 299-3874 3549 West Carl H Mrs 296-7474 3551*Graham Kathleen M 296-3732 3554 Apartments 1 Me Ardie Solly A 297-2642 H OBE Henry

PACIFIC HWY 1984

430

TELE. 2... Including Entire County - Specializing Pl. Loma - Ocean Beach

REAR... 1875 CABLE STREET... IS AS IMPORTANT AS WHERE TO SELL GOODS

PACIFIC HWY--Contd
County Dept Health Serv (Venereal Disease)
County Dept Health Serv chronic disease control
County Dept Health Serv Nursing Divl
County Dept Health Serv INGEN 236-2237
W ELM ST ENDS
1747 Rent 1 Car Cheap Hil Inc 238-1914
1825 Roll Weevil restr 234-2464
1910 Seven Plus One Motel 232-1077
1942 Bayview Travelodge motel 232-7551
2006 Rollins Shell Service 238-4251
2045 Body Beautiful Car Wash 232-8903
Chevron Service Station 232-8943
2070 Pacific Union Seventy Six 234-0812
W HAWTHORNE ST INTERSECTS
2137 Fat City restr 232-0296
Solera Camp (hinese restr) 232-1267
W IVY ST ENDS
2230 Solar AH Faith Chapel
Solar Turbines Internat Intl Harvester
Group1 gas turbine & aerospace mfg
2323 Super City Office Equipment 239-2120
2323 Burnside Service Station gas sta 239-7124
W JUNIPER ST ENDS
2305 Cal-American Rent-A-Car 238-8088
2353 Airport Budget 232-8931
Hertz Philip D
2401 Aztec Rent-A-Car 232-6117
2401b Applied Consulting & Technical Servs Inc
2406 Applied Consulting & Technical Servs Inc
2407 Applied Consulting & Technical Servs Inc
2481 Dirty Dan's cocktail lounge 232-7309
2499 American International Rent-A-Car Inc
W LAUREL ST INTERSECTS
W LAUREL ST INTERSECTS
2521 Solvers Shop Service 232-4120
2535 Budget Rent-A-Car 237-5317
2546 Seave Rent A Car 234-4466
2585 Pacific Car Rental 239-2111
2775 Port Of San Diego (Pkg Loc)
2800 Palm Street Auto Park (Self Serv)
W PALM ST ENDS
2866 Tuxedo Charlie's restr 295-9023
2904 Braxcomatic Enterprises Inc restr opta
296-7704
Jimmal Aviation Services Int air & serv
296-7704
Windrock The restr 291-2831
2975 Five Dollar A Day Rent A Car 260-1731
2980 Lindbergh Field (Old Terminal)
Natl Weather Serv 297-4107
Fed Aviation Administration (Flight Serv)
298-6285
F A A Flight Serv Sta Operations Floor
plot weather reports 293-6830
3090 General Dynamics Corp-Elc Div (Pac)
3125 General Dynamics Corp-Corvaal Division
3185 San Diego Unified Port Dist 291-3000
W SASSAFRAS ST ENDS
3302 General Dynamics Corp Convair Aerospace
Division Lindbergh field plant 277-6900
VINY ST ENDS
3555 Tux'do Independent Mercedes new auto air &
serv 292-7700
3586 Phillips Chatty A 295-0499
3587 Golden
3592 Greiner Bob
3615 Vinyard Garage Doors Inc 299-8951
3625 Southwest Safety 291-9600
3653b Panaco-Air Refrigeration & Air
Conditioning 992-0461
ZIP CODE 92110
3681 Vacant
3765 Antique Alley Custom Rod Shop auto
restoration 295-4837
WASHINGTON ST INTERSECTS
3775 Ardee Equipment Sls ladder scaffolding
3881 Vacant
3885 Don's Photo Service 295-9924
3889 Pacific Highway Pet Clinic 295-4231
NOELI ST ENDS
3911 Communications Company Inc (Admin Off)
audio visual equip 297-3261
Musicale Sound background mus serv
291-4430
ROOMS
199 Lithographers & Photo Engravers Inst
227 296-1565
192 Harris Electronics Corp 296-7087
195 Hay Erik K Income tax serv 291-6185
192 Graphic Arts International Union Local
406 Int organization 291-1486
104 Vanam (Kms 104-201)
202 Independent Cab Owners Assn Inc
291-3523
203 Vacant
208 Vacant
3923 Little R W Co Inc merchandising contr
297-3703
ESTUILLITA BEGINS
3953 Vacant
3957 Vacant
3967 Vacant
WRIGHT ST ENDS
4023 Cousins Appliances appliance whol 293-9137

Cousins Photo & Appliance Warehouse
4031 Yale A & Enterprises adhesives-dist
4035 Chico's Blueprint Co 295-5610
Rear Tail Stop Inc cigarette filter mfg 296-4868
4055 Galvo Tax Shops rent & sell formal attire
295-5310
BANDINI ST BEGINS
4045 Mounarch Self Serv Gas 296-9050
Pacific Services Indus 238-6060
Pacific Services Indus 238-6060
4069 Pacific Services Barber Shop 296-0695
COURTS ST BEGINS
4101 Pacific Rest Motel 298-8364
Smart Lenses F 291-7414
4141 Hart Enterprises Inc publishers 296-4811
WITHERBY ST ENDS
BARNETT BEGINS
ZIP CODE 92138
4200 Barnett Commercial Center bldg-ofc
232-9233
SUITES
101 Vacant
102 Vacant
103 Best Tabe Inc business eq 224-5434
104 Carvico David Travel 233-8165
104 Coop Rent A Car 223-9050
105 Salt Of The Earth Inc lofting net
226-5311
108 I Deal Services typesetting & graphic
arts 224-5418
109 State Farm Ins Co 228-2247
110a Vacant
110b Vacant
111 I B M (Fed Sys Div) 228-2311
114 Yacht Services (14-118)
117 E G & G Washington Analytical Servs
Center Corp cons consultants 228-3173
117 E G & G Environmental Equip Svs Link
Sys cons-consultants of ocean 223-3173
118a Vacant
119b First City Video
120 Palosh J K & Associates carpet & drapes
contr air 222-0321
121 Vacant
122b Analitic Nutrition Services 222-8222
123b Bennett Commercial Center (Leasing
Off) 222-9288
124 Vacant
125 Acacia Travel Int travel agcy 225-1233
126 East Avenue World Life Society non
profits orgn 225-1323
126 Persons-Matic Letter Service word
processing & sec servs 223-2315
128 C R C Systems Inc telecommunications
sys 222-9241
127 Herts Keytranch Service data processing
223-9228
128 Collins Greeting Cards 223-6381
129 T & A Del 225-0910
130 Five Minute Portrait Studios 224-4311
133 Marina Amiable Lila 224-1890
204 Applied Technical Systems 224-1890
208 Computer Management Servs 224-9023
208 No Return
207 No Return
204 Rabus Associates Int public 224-3367
203 Greenfold Security Systems 223-9035
210a No Return
210b Trina Pacific Air Cargo 224-1278
210c Southwest Airlines Co 232-1221
212 Expediente Bus Sys
212b Neu Services publishers 224-3307
214 No Return
218a Q & D Systems Inc (Off)
219 Q & D Systems Inc cong servs 224-2490
223 Advanced Marine Enterprises Inc cong
servs 223-6386
226 Boone James E Invt 223-9639
226 Wheeler Wm J Invt 223-9639
225 Bayco Enterprises E Invt 223-4898
228 No Return
227 American Agency Of San Diego collection
agcy 226-9344
228 Columbia Research
222 No Return
230 Medi-Trans Lab med transcribing serv
225-1287
231 No Return
ENTERPRISE ST BEGINS
SPORTS ARENA BLVD BEGINS
4297 135a Electronic Eye Engineering Center San
Diego command sw div 226-4367
US Defense Contract Admin Servs (Dist S D)
225-4731
135b Sea Support Ctr Fed 225-3923
Dean's Snack Bar snack bar 291-4963
4306 Haas Foreign Car Serv auto repr 298-8975
4310 Mission Graphics graphic arts 297-0557
4320 Johnstone Supply household appliance parts
298-7168
U S Courier Corp couriers & message serv
291-8505
Messenger Air Freight 291-0744
4325 U S Naval Off Sys Support Off (Pacific
Annex) 295-3571
4330 T F I Plumbing Supply 296-7171
T F I Water Works Supply water pipes whol
4380 T F I Plumbing Supply (Whol)
4370 Emerald Express 299-2190
4390 Vacant
4396 Vacant
KURTZ ST BEGINS
4420 Panel Lock Fence Co 297-6711
SMITH ST ENDS
4444 Old Town Budget Inc 282-8924
Thompson S 296-4444
TAYLOR ST BEGINS
ROBECKANS ST INTERSECTS
4606 Itai Automotive serv sta 297-6929
4610 Season's Restaurant 298-0384

4636 Naval Electronic Systems Engineering
Center S D
INTERSTATE 5 INTERSECTS
4764 Suez-Division Of Highways (Mice Yardi)
SAN DIEGO RIVER CROSSES
4600 Old Town Storage main stage 298-3023
Bobak Karl L
Bravo Group real est development 299-2343
ANNA ST INTERSECTS
4811 Building
Ninety One X F M Mighty 690 A M Radio
298-9434
Suitea
201 Karen's Copy Shoppe 298-1211
201 Soudan Business Services 293-0908
201 Business Graphics Of San Diego 298-9598
293 Machine Three Inc financial management
260-1880
205 Action Financial 296-6604
206 Jensen Company The
210 Trans World Systems collection agcy
594-4226
218 American Federal Financial Corp
298-9434
4836 Progressive Auto Writkes
ANNA AV RWDS
4901 E J & Pastics (MFG) 297-7220
4902 State Highway Patrol 296-9961
4903 No Return
4906 I P S Instant Printing Service advision of
neyneshan printers 298-7613
Pacific Service Station Supply Warehouse
296-0256
4909 Portalign Tool Corp portable drill guide mfg
297-7750
Brook Gee E Invt 209-1720
4988 Under Coat 297-1810
4178 Public Storage Management Inc storage
rental-leasing 299-8853
No Return
INTERSTATE 5 INTERSECTS
SAN DIEGO RIVER CROSSES
PACIFIC VIEW DR --FROM 4980 OCEAN
BLVD NORTHEAST
ZIP CODE 92109
604 Hausser Fred J @ 488-8878
605 Hausser C Thom @ 273-1810
615 Cope Jesse D @ 483-7967
618 Baha Ico @
622-Wran W Y @ 272-9068
628 Vacant
633 Karl Barbara T Mrs @ 488-5900
634 Barnhill Reot J
699-Gussan C
645 Hill Joseph L @ 488-1905
648 No Return
648 No Return
652-Knox Robt 272-3798
667 Laying Daria Mrs @ 270-5138
668 Matthews Rind W Jr @ 498-6461
665 No Return
666 Weisman Phyllis A Mrs @ 483-7164
PACIFICA DR --FROM 5500 BOLEDAD
MOUNTAIN RD SOUTH
ZIP CODE 92109
4846 Mill: Melvin D @ 278-2964
4856-Walah S @ 273-4037
4895 No Return
4924-Newer D I @ 483-4841
4906 Dale James M @ 272-8237
4908 Mc Rae Robt D 273-9855
4910 Duerksen Wm @ 274-6547
4914-Kim U W @
4917 Kumbarger Wm H Jr @ 276-7936
4918-Abbott Timothy J
4922 Sauncheun C L @ 274-0202
SAN ANSELMO ST INTERSECTS
4934 No Return
4938 Spectra Donald E @ 274-5654
4938 Thornhill Michl S
4939 Whitard Patsy A Mrs @ 273-6748
4942-Kettner Norman W @ 273-6223
4946-Peters Mark M
4949 Williams Janice R @ 273-5351
4950 Bartlett Ronald D @ 273-8299
4953 Special Joseph V @ 273-1687
4954 Lee James M @ 274-4967
4961 Yagg Gordon J @ 274-0815
4962 Hood John
4966 Bennett Wm K 1/2 mfi agt @ 273-6308
4967 Taylor Gladys D Mrs @ 273-4737
4970 Snyder Joyce C Mrs @
4977 Wang David Y @ 274-8058
4990 Adairing John L @ 270-0181
4991 Scholt Wm J @ 274-5533
4993 Sheppard Margt M Mrs @ 276-2344
4994 Stewart Phillip
4983 No Return
4993a-Buckes Geo M @
5001-Jensen Paul 483-7865
5004 Graham Mary
5007 Smith Ray T Jr @ 272-5603
5008 Shaferl Chris C 272-8924
5018-Tlynn Chs Y @ 274-6304
5019 Sweeney Michl R @ 278-5336
5019 Luck Nancy G Mrs @ 274-9367
5022 Calvert Seymour R
5026 Larson Marian J Mrs @ 274-8127
5030 Lando Victor R @ 274-5154
5031 Dileo David H @ 274-1307

5036a-Floodgate Rod M 270-8218
5037 Larrabee John A @ 274-2416
5043 Snyder Ellis O @
5044 Lemley Kenneth R @ 273-9642
5049 Varr Inase Mrs @ 272-1911
5052 Fowler Marguerite E Mrs @ 272-1883
5055 Berni Paul L @ 273-1100
5060a-Oberlin John @
5065 Stocklin Robt @ 273-1414
5071 Edwards John C @ 274-6071
5072 Boyle Rose D Mrs @ 274-4745
5079 Bangs Louis L @ 274-4872
5080 Metz Sheldon E @
5088 Blaylock Albert J @ 274-4740
5089 Carroll Jerome W @ 270-8305
5095 No Return
5097 Johnson Louis R @ 273-9861
5102 Bernad Paul @ 273-0330
5105 Colopy Glenn J @ 274-2602
5109 Doucette Geo @
5111 Robinson Robt F @ 273-8164
5116 De Land Roy O
5117 No Return
5122 Hicks Malvyn L @ 273-8913
5126 Brantz Emanuel R @
5128 Del Bane John V @ 274-3575
5132 Goodrich Murray H @ 273-1604
5138 Greenwood Harold @ 270-1818
5138 Vaquero Horace A @ 273-1246
5141 Lukacs Ben J @ 270-5366
5144-Swoback Jamie 272-8958
5147 Shephard Max L @
5150a-WJohnson Thos F @
5153 John E W @
5156 Maxzone Walter F @ 274-9376
5158 Mc Kich Barbara M @ 273-8450
5165 Kubisa Fredric F @ 274-3660
5168 No Return
5171 Meagher Don T @ 270-2126
5174 No Return
5177 Hazvilly Coralie Mrs
ROMNEY RD INTERSECTS
5205 Elliot Michl M @ 274-0912
5215 Bruce Edot N @ 270-3678
5225 Deacon Edith E Mrs @
5228 Hughes Herbert G @ 273-0322
5235 Kimura James T @ 273-3648
5238 Selamit James E @ 273-0434
5243 Paul Robt R @ 273-8972
5251 Davis Florence G Mrs @
BAJA CERRO CIRCLE INTERSECTS
5255-RiI hardt Eliae 272-6205
5259-Mazzola Ronald @
5271 Davis J Wm @ 270-3938
ALCO CERRO CH INTERSECTS
5305 Cooper Robt H @ 273-1881
5315 Sattler John @ 276-9915
5325 Dahl Frank C @ 274-1465
5335-Gossert Brends @ 270-5811
5340 Burnett Raymond E @ 272-1475
5345 Robt Craig W @ 273-6073
AMITY ST INTERSECT
5355 Dorakshian Solay
5365 Valenocky Robt J @ 274-6718
5370 Ketchum Richard H @
5375 Hale Don W @ 273-8318
5405 Kobacovich Michl @
5410a-Drogg S
5420 Ford Charles 273-1563
5425 Johansson
5431 Under Conant
5437-Merkin D
5438 Kerr John E @ 270-1213
5443 Alessandro Anthony J @
DRESDEN PLACE INTERSECTS
5448-Gerstein J
5449 Shaw Wm Y 274-4729
5455 Griebel Richd E 272-2867
5456 Brown Douglas E
ALMERA INTERSECT
5475 Eddy Carl L
5478-Landry Richd
AVENIDA FIESTA INTERSECTS
PADGETT ST --FROM 6300 MIRAMAR RD
NORTH
ZIP CODE 92126
5626 Yellow Freight System Inc fr trucking
271-1521
PADUCAH DR --FROM 3400 CADDEN DR
NORTH
ZIP CODE 92117
3621 Georger Wm T @ 273-8211
3621 Jones Glenn O @ 270-7662
3631 Kotsakis Geo @ 272-6006
3641 Parsons Edwin F Jr @ 276-4033
3661 Terry Joseph R @
3661 Steinsmann John H @ 274-1657
3668 Benedictus Convect Of Perpetual Adoration
274-1930
3668a-Gust @ 272-9823
3915a-Holznacker John H @
3925 Dean Dodge H @ 274-4533
3935 Haskell John Jr @ 273-1534
3945 Sealers Donald W @ 270-2976
3955 Jones Carroll @ 273-0546
3965 Strachowski Theodore A @ 276-0072
3970 No Return
3978 Walsh Michl J
4010 Oxford Keith E @ 276-9666
4015 Markarian Agvian Mrs
4035 Gwynn F E 273-9663
4040 Vacant
4050 Swenson Theresa I, Mrs @ 276-3955
4051 Ray Mesa Hankers 273-9131
Scott Charles C @ 273-5131
4060 Wright Roy N @ 273-7545
4065 Adams Franklin R @ 273-1936

UPAS/COLUMBIA ST 1984

<p>UPAS ST—Contd 6344*Craig Don 6344*Craig Wm R 693-2378 6344*Richard 6344 Heimbech Josephine F Mrs 796-3921</p> <p>PARK BLVD INTERSECTS 1714 Kilenny Myrtle L Mrs 298-7902 1718 Dickason Mary L 297-0741 1718 Beecher John J 291-9154 1723 Hahn Otto W @ 295-5429 1725 Gramercy Court apt 5 Dolan John 1725*Langst Nieman 1726 Larson Billie F 295-1980 1728*Raether Gertrude Mrs 298-2976 1730 Beagham Doris M 291-3847 1730*Hill Stella M 295-4079 1732*Van Lavonne Mrs 295-1841 1734*Greene Michl 1734*Angell Shirley M Mrs 296-0471 1736 Mc Donnell Elizabeth 298-8479 1736*Clifton Gayladine 298-4209 1738 Laurenceman Lillian H Mrs 297-2313 1738*W. Bortman Irene 296-4752 1740 Park Gramercy apt 297-3144 1*Vacant 1*Miller Danny T 298-3919 1*Donery Kim 296-7414 1*Buks Val T 296-9279 1*White Richd 296-3406 1*Turner Katy L 296-4190 11*Boulardie Ellis W 297-5114 12*Barua Gilbert C 14*Vacant (apts 14-17) 18*Westfall Jeane R 19*Ammonds J 20*King Martin E 298-0321 21*Jay Carol 297-2329 22*Leabo Vernon K 23*Parker M V 24*Reynolds Raymond 297-1315 25*Breace Randy Mrs 294-1554</p> <p>INDIANA ST INTERSECTS 1800 Terraco Park Apartments 1804*Mc Caffrey Betty Mrs 298-9644 1805 Blind Reformation Center 298-5211 Lions Optometric Vision Clinic 298-5273 1806*Landley Calvio 298-4264 1807 Braille Transcribers Guild Of San Diego Inc 298-5219 1808 Clark Janet M 298-2872 1810*Turnage James 298-2884 1812*Carter Mike 297-4993 1814 Collins Russell C 297-3974 1818*Gwynn Ed 298-8499 1818*Johnson June 295-0814 1820*Pike Susan 297-0649 1822*Burkes Jerry 296-7753 1824 Stephens Martha C Mrs 298-2555 1826*Court Hanson ST 4798 1830 Lynn Mandarin Apartments 298-6008 1 Miller G Leo 295-1092 2*Holt R 3 Capon Penny Mrs 4*Chase Lawrence 297-0775 5*Veeath A J 298-3306 6 Knights Graham 298-4267 7*Sanity S 296-4688 8*Peterson Robert 299-2085 9*Stewart T W 291-0446 10 Cushman Linda Mrs 298-1147 11*Laundry Bob 12*Holding Robt 297-1267 13*Vacant 14*Colasquin W 15*Yamada K 16*Girardeau E 297-1800 17*Conklin B 18*Lathum C E 293-0346 19*Seig John 692-1496 20*Knuebler Douglas R 298-4646 21*Wright Wm O 298-6159 22*Minato Robt J 297-3659 23 Watson Frank 24*Preston Henry R 692-1986 25*Dunahoe K 26*Hoagy Gary 298-0280 27*Edwards Raymond 28*Corrines Jay M 692-3720 29*Rodriguez M 30 Norwood Lola H Mrs 295-1925 31*Ganz L 32*Smith E 33*Hottelner Rick 296-1190 34*Najera Francisco 299-4190 35 Caraccio Albert R 298-0517 36*Baker Carol 298-3386 37* Rice Tod 296-4642 38*Duroso R 39*Rothenberger B 40*Robertson Gordon W 296-6598 41*Weiss E</p> <p>ZIP CODE 92104 FLORIDA ST INTERSECTS 2034*Griffin Moustague D @ 291-3633 2044 Scott Lou 295-0569</p> <p>ALABAMA ST INTERSECTS 2102 Ames Douglas F @ 298-5923 2114 Berryman A Carmack @ 296-1159 2124 Desbri Claire D Mrs @ 2132*Fleid Harry C @ 574-1896 2140 Boyer Harry H @ 298-7945 2141 Barbee Tennis (apt 296-0438)</p> <p>MIGISSIPPI ST INTERSECTS 2212 Worman Edgar C J @ 296-0228 2222 Ashbrook Temple W II @ 297-4767 2228 No Return</p> <p>LOUISIANA ST INTERSECTS 2306 Lucy Deater J @ 291-1781 2316 Phippo Waltra A @ 296-8194</p>	<p>2822*Drusker Walbr R 298-8389 TEXAS ST INTERSECTS 2420 Reynolds Lewis P @ 295-2977 2426 Anderson Sharrat @ 299-2837 2438 Walters Joy ARIZONA ST INTERSECTS 112 2518 No Return 2518 Caperton Virginia V Mrs @ 290-4289 2530 Beckman Richd G @ 298-1339 ARNOLD ST INTERSECTS 2566 Keller James W @ 298-0325 2568 Beaver Aides Communications 2nd and reprs above parts 699-3593 Schmitts Jerry 299-3393</p> <p>VILLA TER INTERSECTS 2622 No Return 2612 Fullerton Robt 296-1415 2616 Grant La Mar Mrs @ 296-3307 2618 Ballen R K Jr 297-1586 2630*Samuera S Chris 280-0921 2628 Aycock Jean K Mrs @ 298-0240 2704 Bennett Gertrude M Mrs @ 2718 Arnold Roger E @ 296-1219 2728 Bellon Dorothy A Mrs @ 296-2213 2738 Assistance League Of San Diego County social serv 298-7079</p> <p>38TH ST INTERSECTS 2812 Vacant 2828*Church Gary R 299-9132 2929* No Return 2930*Matson Sheri</p> <p>UTAH ST BEGINS GRANADA AV INTERSECTS 2832 Sullivan Dorothy A Mrs @ 295-7987 2833 Walsh A 2873 No Return 2875 Record Larry @ 295-1448</p> <p>39TH ST INTERSECTS 2935 Davis James H @ 295-8790 2911 Crosswell Clement L 298-5218 2917 Peedilton Nellie M Mrs @ 295-2969 2923 Adams Alterations 297-1647 2925 Bobbe Charles @ 294-5782 2926 Edward's Oriental Rug 295-1100 Patck Edw E 295-1100</p> <p>DALE ST ENDS 2959 Jack In-The-Box Drive-Thru rest 295-9443 2976 Norcia's Place Interu 296-6740 2977 Formal Time Tuxedo Rental 295-0354 2979 Formal Time Tuxedo Rental (Astoria)</p> <p>KAY ST BEGINS</p> <p>30TH ST INTERSECTS 2928 Rowe Eate 291-6258 2928 Soul Court Tavern 295-1188 2929 Harold C 3036 Vacant 3040 Skilly's Garage 291-1901</p> <p>GRIM AV INTERSECTS 3046*Goddard Denise @ 292-4216 3074 Vacant 3076 Barnes James P 290-3130</p> <p>31ST ST INTERSECTS 3109*Wo Kim 285-5026 3110*Le Nhung 3115*Chavez Charlene 3127 Vacant 3128 Martin Del Campo Alder 3130 Estimo Lashel M Mrs @ 693-9650</p> <p>BERMAN AV INTERSECTS 3162 Jones Aubrey R @ 290-3108 3163*Boyd Joseph 290-9439 3163*Widwig Charles M 290-3648 3170*Vazquez Joseph @ 3177 Love Malcolm N 283-0436</p> <p>32ND ST INTERSECTS 3215 Mc Laughlin Charlotte Mrs @ 281-7259 3218 Carnahan Artuan W 3224*Ballesteros Manuel 3231 Croyley Winnie B Mrs @ 292-7482</p> <p>BANCROFT ST INTERSECTS 3234 Nesbette Ida Mrs @ 3271 Philip Olga M Mrs @ 284-1656 3274 Rohr Carl E @ 293-8468</p> <p>33D ST INTERSECTS 3306 Vacant 3316*Canon Carol 3317*Ganz L 3322*Mc Cleary Nancy 3324 Vacant 3335 Cunningham Barrett L @ 281-4447 3344 Markin Al E 280-7697</p> <p>FELTON ST INTERSECTS 3364 Ayala Juanita O Mrs @ 291-2169 3376 Fediunas Brenda A Mrs @ 284-0285 3380 Carr Wm A @ 283-9432 3386 Andrade Clara F @ 282-2000</p> <p>UPAS ST W—FROM 3489 1ST AV WEST</p> <p>ZIP CODE 92103 102 Shepherd John W 290-6900 104*Fosror L S 298-2269 196*Froon C J 197 Carvalho S J 291-5180 198 Marshall J M 295-7769 199*Boydard J R 199 Strubher E M 298-5079 123*Wong Larry 298-8574 124 Lawson Hadlie A Mrs 296-0382 126 Ferguson Shirley 128*Rooser Gregory J 295-3246 1444*Fisgruve Raymond 146 Mark Rosemarie 296-1186</p>	<p>149 No Return CEDARH ST INTERSECTS FRONT ST INTERSECTS ALBATROSS ST INTERSECTS 326 Watson William N @ 296-2356 326 Mandel Bernhardt @ 618*Gela Sarah 692-3847</p> <p>32 BAYNARD WAY INTERSECTS 322 Sheila Wilson 291-8786 323*Chase Alison 295-5285 719 No Return 724 Lamb Allison 724*Dele Cruz Mrs G 296-3010 728*Hadan Gary 274-6332 729 Wood Wm Jr @ 298-2484 730 Glad G T 291-2939 732 No Return 741*Kevin Garrett S @ 295-2253 743 Wolinski A E 295-4670 807 Busalacci Thoe J @ 298-5649 810*Sakotak Michl L @ 296-7969 817 Behn Dora E 833*Moyle Fred W @ 297-0974 832 Ferras Wm T @ 295-1072 845 Razzeto Suzanne M Mrs @ 850*Castelo Cecilia @ 295-1066</p> <p>COLDWELL ST INTERSECTS HAWK ST INTERSECTS 1038 Under Cosm (1038-30) FALCON ST INTERSECTS KINGS ST INTERSECTS 1297*Richard Gertrude G @ 298-3327 1315 Morrill Eug L 1330 Sealfon Joseph @</p> <p>UNION ST INTERSECTS</p> <p>STATE ST INTERSECTS 1506*Ledewig M L 297-1558 1608 Clark Marjorie A 1618*Harley M Sr 692-8656 1612 Vacant</p> <p>COLUMBIA ST INTERSECTS INDIA ST INTERSECTS KESTNER BLVD INTERSECTS PACIFIC HWY INTERSECTS</p> <p>UPLAND ST —FROM 1689 60TH ST EAST</p> <p>ZIP CODE 92114 6023 No Return 6031 No Return 6038 Torres Ralph 654-8791 6049 Mac Laurin Middl @ 6060 Open Edz L Mrs @</p> <p>UPPER HIGHLAND DR I LA JOLLA—FROM 7506 ENCELIA DR EAST</p> <p>ZIP CODE 92037 2003 Vacant 2008 Francesco Marie G Mrs 2011 No Return 2012*Ortinas Diane 222-6468 2013 No Return 2018 Vacant 2019 Partridge Historical Center not profit 222-8693 2022*Parsons Diana 2031*Tyson Curry 224-5813 2032*Gibens Kenneth 226-7766 2034*Moore Fred 2034*W*Terrance Wm 229-2910 2036*Coal Janine 226-4714 2038 No Return 2039 Debraun Jewel D @ 223-6709 2042 No Return 2044 La Mabeo gita 223-2934 610*CRANG ST INTERSECTS 3001 Dean's Photo Service photo developing 283-6976 3003 Coneman Art Center For Holy Design 285-1866</p> <p>UPTON CT —FROM 2600 ULRIC ST WEST IN A SEMI-CIRCLE</p> <p>ZIP CODE 92111 6801 Green Saml @ 277-4377 6802 Landry E Edg @ 274-7468 6811 Smith Rand L @ 277-4742 6812 No Return 6821 Williams Thus C @ 282-7371 6822 Verdia Manuel M @ 6831*Tyenna Ruth 6832 No Return</p> <p>UTAH ST —FROM 2800 UPAS ST NORTH</p> <p>ZIP CODE 92104 3404*Illoran M @ 295-7358 3411 Anderson Alden A @ 296-5921 3412*Harkin K S @ 291-4724 3413 Goodala Lawrence E @ 295-2305 3419* No Return 3422*Stanton Earl J @ 298-3911 3430 Noye Art E @ 296-2216 3436 Luyes Steph @ 296-1616 3437*Strigley Bertram C @ 291-3571 3441*Fost Ruth 3445 No Return 3446 Oberg Gustav R @ 296-6781</p> <p>MYRTLE AV INTERSECTS</p>
---	---	---

SUPERIOR RESUMES & EMPLOYMENT HELP UNLIMITED INC.

TYPING & WORD PROCESSING

2420 University Av., San Diego (92104) Call 24 Hours 295-1196 or 692-0836, (Open 7 Day)

KETTNER BLVD 1980

KETTNER BLVD-Cont'd
3334 Industrial Evolution custom furn mfg
296-6435
3336 Bodywerks Auto Body & Fender Co
296-6146
3340 A C Co genl eng contra 291-7422
3345 A C Co (Annex)
THORN ST INTERSECTS
3420 Coggeshall A W Plumbing Fixtures
& Supplies 295-3145
W UPAS ST INTERSECTS

3550 Park And Ride Co airport valet
parking serv 295-6659
3554 General Electric Co sla & serv
297-2875
Hotspot sla & serv 291-9047
3564 Lapidary Journal Inc book &
magazine publs 297-4841
3574 Paragon Design Co eng graphic arts
servs 291-7670
3590 Arta & Crafts Press coml printers
297-0261

3634 Apartments
1 Gainey Phil M 295-8548
2 Vacant
3*Montays Joseph M
4 No Return
5 Vacant
6 No Return
7 Vacant
8 Vacant
9*Sepe Pete
10 Thomann Cliff R 290-6614
3648 Stewart John Studio graphic design
291-4729
CHALMERS ST INTERSECTS

ZIP CODE 92110
ANDREWS ST INTERSECTS
3779 L S W B Engineers (Elec & Mech
Annex) 291-7990

3785*Halling Wm
3797 Lanning Margt L Mrs @ 296-2504
MC KEE ST INTERSECTS
3803 Oalar Walter R @ 296-1840
3809 Pfree Joaquin M @ 296-4947
3821 Carroll Charles W @ 296-3000
3826 Komos Henry J @
3830 Robird Margt M Mrs 296-1366
3831*Brodnick Gloria 692-1756
3831 1/2*Lewis Richd
3832 Antoa Dorothy L 299-5618
3833 Traylor Josephine L Mrs @ 291-0955
3838 Goodman Charles R
3839 Flores Juan
3841*Schultz Solvelg 291-7639
3843 Molina Victor P 295-1340
3844*Baegert Cath 692-1254
3845 Gers Ivy 296-9582
3846*Morgan S 574-0065
3847 Viorato Jose J @
3848*Glover M 292-7985
PRINGLE ST INTERSECTS
3857 Vacant
3859 Rogers Dave 296-3765
3865 Brands K 296-7690

KEW TER -FROM 3400 NUTMEG ST
SOUTH
ZIP CODE 92104
2603 Smith Manuel R @ 284-6554
2604 Gonzalez Robt 283-0402
2609 Chadwell Charlene Mrs @
2610*Stewart Michl E
2615 Gillingham Michl D @ 282-5588
2618 Burke Wm L @ 284-2783
2623 Vitacco Robt A @
2624*Pasquilli Paul @ 283-5343

KEYSTONE CT -FROM 11178
GANESTA RD EAST
ZIP CODE 92126
8560*Garland Frank D 566-5736
8561 Javiel Orlando O @ 578-4329
8567 Lindholm Kevin 578-6478
8568 Gonzo Larry R 578-3049
8575 Mc Kune Wm A @ 578-1014
8578 Vacant
8581 Flores Rafael R @ 578-1275
8589 Simpson Darrl @ 578-2088
8595 Pacheco Juan A @ 271-4103
8599 Langhammer Mary Mrs @ 566-7590
8608 Curry Pusk J 566-2312
8609*Steffley Zack
8619 Boon Lars O 566-5845
8628 Christensen Gene @ 578-1867
8629*Nascimento Brian @ 578-0173
8638 Ulrich Robt 578-0667
8639 Zylilus Dennis @ 578-4467

8648 Mosteller Michl @
8649 Herbert Julia @ 566-2698
8656 Kichline Georgona B Mrs @ 566-0728
8659 Dietz Randy @ 569-9527
8668 Garland Steve C @ 578-7681
8669 Hauchen Harry @ 271-5744
8673 Schochling Michl A @ 568-3174
8688 Mansfield L E @ 566-4207
8689*Stadler Steven D @ 578-6168

KICKAPOO CT -FROM 3500
HATTERAS AV NORTH
ZIP CODE 92117
4506 Jonas Ernest D 274-1871
4518*Putman A E @
4526 Duffee Leonard E 270-2550
4527 Clarr Harry K @ 273-6254
4536 O'Neal Norma V @ 272-8638
4537 Frank T W 270-0687
4546 Vacant

KILBOURNE DR (LA JOLLA)-FROM
8586 SUGARMAN DR NORTH
ZIP CODE 92087
8601 Lazerow Herbert I @ 453-2388
8602 Welp Otto G 453-9464
8611 Garshuni David H @ 453-6933
8620 Brown Charles R @ 453-4965
8621 Kalla Joseph M Jr @ 453-0250
8631 Kohn Laine M Mrs @
8641*Wolfe Elaine W Mrs @ 453-8668
8650 No Return
8651*Aguiar Guellermo
8660 Galloway Robt L @ 453-5619
8661 Orloff Marshall J @ 453-2709

KILKEE ST -FROM 5100 CONRAD
AV NORTH
ZIP CODE 92117

5001 Duncan Danny 270-7039
5002 Sirrat Dale E @
5008 Alvarado Esiquiel @
5010 Tran Vinh @ 292-4596
5017 Wells James R S @ 277-3369
5018 Brown Lepidia Mrs @
5025 Bailey Howard R @
5026 Russell Ray W
5033 Heath Theo C @ 277-1082
5034 Woodall Sharon 279-7922
5041 Rico May H 565-7428
5045 Steele Lola M Mrs @ 565-1819
5049 No Return
5050*Reed Wm @ 279-5882
5057 Tran Khuong @ 292-8654
5058 Lutz Robt J @ 292-4305
5065 Vacant
5066 Haut Theo H 278-4820
5073*Dezgerhardt Wm 277-3408
5074 Rose Roland L @ 277-3254
5081 Pouso Rogo
5082 Geo Wm E 273-3010
5088 Bernard Dewey M @ 279-0427
5089*Dugal Caron B 279-2714
5095 Pampel Mxy Mrs @

KILT CT -FROM 4240 KIRKCALDY
DR EAST IN A CIR
ZIP CODE 92111
7613*Nichols Patricia M Mrs 279-4225
7614 Eggert Geo F Jr @ 565-4242
7623 Rico Edw 279-8546
7624 Crowe Hubert L @ 278-1070
7634*Alotena Hans

KIM PL -FROM 9500 BLK RONDA
AV NORTH
ZIP CODE 92123
2602 Crown Gertrude C Mrs @ 277-2127
2603 Leocompt Tim E @
2614 Cowart Walter E @ 560-7832
2615 Kellum Maurice L 279-3636
Conkie Geo D
2626 Witt Kenneth W @
2627 Pingry Gerald D @ 565-0886
2639 Swanson Richd @ 279-6921

KING ARTHUR CT (LA JOLLA)
FROM 8700 LA JOLLA SCENIC DR
WEST
ZIP CODE 92037
2307 Metro OH Products Inc oil gas
products 459-8075
Rioci Henry 459-8075
2308 Sullivan Jan O

3321 Hoffman John J @ 454-7324
3335 No Return
3336 Redmond Bruce N 459-8821
3349 No Return
2363 Heidemann Raymond L @ 454-7923
2366 Miner Robt W @ 459-6907
2377 Breshan Donald W 459-6266
2390 Pulaski Edw J 459-1967
2391 Schorn Victor G

KINGS WAY -FROM 4830 DIANE AV
NORTH
ZIP CODE 92117
4805 Vacant
4812 Frater Wayne K @ 277-5687
4815 No Return
4822 Klotzschke Erich A @ 279-0033
4825 Rostock T
4832 Harvey Edwin D @ 565-4168
4835 Harris Ellard W @ 277-8742
4842 Aguayo Alf J @ 277-5430
4852 Van Berlo Theo M @ 278-4035
4855 Atanasoff Steve @
4862 Powell Wm J @ 277-0792
4872*Chester Andrew C 279-6238

KINGSLAND RD -FROM 2390
GREENWING DR EAST
ZIP CODE 92123
8407 Tolan Lee J @ 565-2636
8415 Dubrauil Roland @ 279-6261
8423 No Return
8428 Shilte Everett @ 565-6590
8431 Blase Colleen I Mrs @ 279-1668
8436 Chuckta Saml C @ 277-7802
8438 Cropsey Anne K Mrs @ 277-1106
8446 Palati Tui S @ 279-4645
8447 Ritz John H @ 278-5368
8458 Vacant
8458 Doederlein Robt J 278-9397
8470 Radd Robt C @
8471*Hultquist Allen C @ 278-9798

KINGSLEY ST -FROM 290
ROSECRANS ST NORTHWEST
ZIP CODE 92106
3003 No Return
3021 Richardson Joseph L @ 222-2436
3022 Vacant
3029 Dawes S A @ 223-5811
3030 Mc Cutchson Elsie F Mrs @
222-7785
3035 Warren Willston L @ 223-8672
3036 Luther Dick
LOCUST ST INTERSECTS
3104 Ruth Philip N @ 222-8703
3105 Brown Earle V @
3111 Crossman Kathryn M Mrs @
223-8576
3114 Waterbury John A @
3121 Zanotti Ada J Mrs @ 223-0938
3122 Kennedy Martha A @ 223-8678
3130 Hofman Joseph H @ 223-4188
3151 Bartei Richd F @ 223-3734
3136 Schick Charles H @ 223-8042
3141 Gillespie James P @ 224-5492
EVERGREEN ST INTERSECTS
3212 Mc Keown Virginia C Mrs @
3226 Helmsel Cath A @ 224-5597
CHAATSWORTH BLVD INTERSECTS

CHATS WORTH BLVD INTERSECTS
3601 Goncalves Joseph @
3602 Jason Robt L @ 224-2366
3606 De Lira Ruben @ 223-6390
3607 Correia Manuel @ 223-3087
2910 White Robt C @ 223-1795
3611*Frisbie Loia E Mrs @ 222-9826
3614 Breit Virgil C @ 223-0451
3615 Hamlin Danl A @ 222-1636
3618 Carvalho Ralph J @ 223-6375
3621*Rodriguez Cosantino
3622 Goncalves Manuel C @ 222-6026
3625 Ball T F @ 222-1329
3626 Landrum Juan E @ 223-1552
3629*Kessler David 226-8780
3630 Burman C Phillip @ 223-8301
3633 Izzarelli Ruth C Mrs @ 224-5006
3636 Salsobey Henry S @ 223-3935
3637 Nadeau Maurice T @ 224-1534
3641 Lampert Geo E @ 224-9119
3642*Pippin Robt L 225-5917
3647 Elkins Eric 223-1355
3648 No Return
3653 Harron Douglas B 223-3968
3654*Redman Kim J
3659 Thompson Paul J @ 223-1321
3660 Beales Renee J
3702 Palmer John T @ 224-4968

3706 Bruni Amadeo G @ 224-1330
3711 Boyle John D @ 223-6030
3714 Nichols Jacob A @ 223-8422
3719 Myerstick Bob 224-7455
3720 Tucker Helen M @ 224-1309
3725 Johnson Douglas C @ 224-3841
3726 Monix Joseph A @ 222-2936
3730*Burr Ralph G 224-7425
3731 Trocheilo Alice Mrs 222-5975
3737*Tezka R 224-9856
3738 Boss Geo T @ 224-4598
3743 Wright James 223-3442
3744 Vacant
3748 Gray Scott C
3749 Hall Ralph E @ 224-2557
3755*London Peter E 224-7669
3756*Moses Elliott S Jr 224-1192
3760 Brannen James L 223-8229
3761 Thompson Robt D @ 223-0018
POINSETTIA DR INTERSECTS

KINGSTON CT -FROM 3371 OCEAN
FRONT WALK EAST
ZIP CODE 92108
714 Moody Betty A @ 486-2372
717 Scott Ed W 486-6944
717 1/2 Vacant
718 Weix Judy 488-5032
719*Crossman Greg P 488-8174
721 Rock Harold @ 488-6143
722 Vacant
726a Mackenzie Judy
7255 Soza Donald 488-8171
725c*Johnson John K 488-4708
726 Haberlein Edmund F @ 488-4506
MISSION BLVD INTERSECTS
801 Vacant
803 Russell Robt 488-7918
805 Vacant (905-809)
810*Evans Jan M
811 Mc Carthy Brian @ 488-6575
812 Mc Knight M 488-3833
814 No Return
815 Granger David J pntg contr 488-4715
816*Jackson Wade 488-2350
818 Balaaki Beverly S 488-8408
BAYSIDE LANE INTERSECTS
821 No Return
823 Johnson David A 488-6642
824 Karnes Kendal C @ 488-7706
825 Mc Leed Gilbert @ 488-2752
BAYSIDE LA INTERSECTS

KINGSWOOD ST -FROM 327
SUNSWOOD ST WEST
ZIP CODE 92114
306 Selas Ignacio A @ 479-4972
307 Kelly James @
316*Schirm John A @
321 Johnson Donald C @ 479-2286
326 Jamindang Frances Mrs
334 Mitchem Hampton @ 479-2389
337 Osburn David E @ 479-2883
344 Blas Manuel C @ 479-2613
353 Jorgenson Joshua E @
354 Abano Alfredo Jr @
354 Buta Rodney K 479-9933
365 No Return
374 Harder Aaron J @ 479-2340
377*Wales Tim 479-7152
384 Mac Mahan David H 267-1315
BROOKHAVEN RD INTERSECTS
416 Rubalcaba Joseph R @ 479-4678
BIG OAK ST BEGINS
426 Tesoro Jesus @
436 Gimore Charles L @
446 Contreras Joseph W @
456 Heath Geo @ 479-8366
GATEWOOD ST BEGINS
466 Webb Nobuko Mrs @ 475-0762
476 Gordon W James @
486 Smith Leon C @
FARMDALE ST BEGINS
504 Arizpe Edgar @ 479-3651

KIRBY CT -FROM A DEAD END
WEST OF 11346 POLARIS DR EAST
ZIP CODE 92126
9020 Mullins Paul 271-0337
9029 Eratz G N @ 566-3214
9028 Filkins John T @ 566-9258
9031 Smith Jacob L @ 271-7981
9034 Gilbert Arnold J @ 566-5109
9039 Bartley John S @
9040 Cary John D @ 566-3185
9047 Lagay Marie G @
9048 Fitzgerald Ron L
9054*Taylor Delmain 578-4094
9055 Vacant
9062 Miller Thornton S @ 566-7852

CALIFORNIA ST 1980

CALICO ST--Contd
7865 Finkle Paul A 271-5269
7876*Moneda Francisco 271-0795
7885 Duncan David A @ 568-8317
7895*Stueckhardt Michl H @ 578-3027
7905 Chase Corey W @ 271-1726
7908 Browns James M @ 568-3606
7911*Gonzalez Salvador
7814*Vogel L Robt 578-5650
7917 Eickesser Michl @
7920 Bertelson Thos W @ 578-0834
7923 Campbell D D 271-9067
7926 Vacant
7929 Paik Woo H @ 566-0638
7932 No Return
7935*Neleson Peter R 568-8549
7938 Soper Danl M 568-8704
7941 Vacant
7944*Schjoberg Steven 566-1762
7947 Alfred Miles J @
7950 Legerretta Sebastian
7955*Loickmann Richd 271-9155
7960*Hornor J W 566-6318
7963 Macho Geo S Rev @ 271-0088
7970*Lin C C 271-0113
7971 Reimnitz Stewart N Rev @ 271-7088
7979*Wilson Chas 578-9346
7980*Buolo Dennis @
7987 Mumma Olen D @ 578-1878
7998 Terry Barb
MANILA AV BEGINS
8003 Stocks Ed M @ 596-8197
8011*Maybee Thos M @ 271-9184
AMANTHA AV INTERSECTS
8019*Smith Jack E @ 578-4790
8020 Bakzoo Gerald J 271-5064
8029 Smith Oscar F @ 271-4006
8030 Erickson
8039 Vacant
8040 Anderson Mary
8049 No Return
8050 Parnell Bill @
8059 Aquino Miguel P @ 271-6012
8060 No Return
8069 Grieshaber Gene A @
8070*Malicangio Dominic 271-6628
8079 Vacant
8080 Jenkins Edwin @ 271-0751
8088 Zambito Gary F 578-4979
8090*Mac Innis Stewart M 271-0647
8106 Vacant
8107*Shaunessy Dan 578-7031
8112 Winter Gerard H @ 566-1186
8118 No Return
8118 Ellis James H 578-0069
8119 Inagurre Rodolph R @
8124 Callister Craig D @ 271-0477
8125 No Return
8130 Neber Phillip D @ 578-5508
8131 Vacant
8136 Barrett Marens Mrs @
8137*Wallace Wade @
CALICO CIR BEGINS
8142*Mc Henry Doug @
8148*West Carol @ 578-6068
8149 Biddick C J @ 566-8947
8154*Richy C R 578-4048
8155 Vacant
8160*Paranan M 566-4969
8161*Jackson T E 566-2641
8166 Kujawa Edward Jr @ 578-3985
8167 Hoppel Laurence W @
REAGAN RD INTERSECTS

CALIFA CT --FROM 8180 ROYAL
GORGE DR NORTH
ZIP CODE 92120
8135 Zwiers Thos H @ 286-3937
8136 Linker F E @
8148 Rossin Ted F @ 286-2352
8149 Samoles Ralph W @ 287-4236
8169 Gilpatrick Ronald W @
8161 Lockhead Robt S @
8175 Denino Darrell 287-1517
8176 Todd Raymond W @ 287-6018
8189 Taylor Jimmie W @ 287-4967
8190 Lake Donald F @ 287-1663

CALIFORNIA ST --FROM 880 W
MARKET ST NORTH
ZIP CODE 92101
BROADWAY ST INTERSECTS
BEECH INTERSECTS
1801 C & R Transfer Co (Whee)
1860 San Diego Smart Shopper Newspaper
adv newspaper publi 288-9444
Skid-Lid Manufacturing Co bicycle
helmot mfrgs 234-4244

CEDAR INTERSECTS
1612*Martinez Alfred A 239-3224
1620 A A B C O Inc (Whee)
DATE ST INTERSECTS
1824 Transport Luggage Corp airport
luggage carriers 233-5485
1832 Gallegos Rosa 232-7081
1842 Asare Vincent 233-7000
1850*Tellex Ricardo
1932 Toller Ramon
1940 Wood Bonnie G Mrs 234-2526
GRAPE ST INTERSECTS
HAWTHORN ST INTERSECTS
IVY ST INTERSECTS
JUNIPER ST INTERSECTS
LAUREL ST INTERSECTS
2654 Airborne Freight air frt forwarders
233-5476
2610 American car rental 291-9655
V I P Limousine Service limousine
rental 299-7030
NUTMEG ST INTERSECTS
2801 Murphy Maurice C @ 295-3866
PALM ST INTERSECTS
2929 No Return
2941 Solozzano Robt M @ 295-1978
W QUINCE ST INTERSECTS
3006 Whitehurst Renald
3018 Boucher Terry E 291-7608
REDWOOD ST INTERSECTS
VINE ST INTERSECTS
3553 V W R Scientific Graphics Inc
297-4851
3588 Baron-Blakelee Co chem mfg
296-3041
Charcoal Distributors 295-0041
WALNUT AV INTERSECTS
3630 Raggio John & His Unique
Expressions sculpture 287-1470
3636 Vacant
Recycled Treasures auto repr
293-7822
3850 Vacant
BEAN ST ENDS
CHALMERS ST INTERSECTS
ZIP CODE 92110
WASHINGTON ST INTERSECTS
SUTHERLAND ST ENDS
3911 Vacant
3919*La Riviere Raese 299-5045
3923 No Return
3926 Viery Emily D Mrs @ 298-6977
3928 1/2*Viery G Joseph 699-9415
3929*Clark Richd 281-4899
3930 No Return
3931*Rainey Jim 298-3077
3935 Anselm Edwin B @ 296-3289
3938 Vacant
3942 Madick Carl real est asstn 298-6986
3951 Vacant
3965*Parne Robt @ 297-8126
HENRY ST INTERSECTS

CALIFORNIA ST W --FROM HENRY
ST WEST CONTINUATION OF
CALIFORNIA ST
ZIP CODE 92110
1907 Huffman Robt E @ 295-1356
1917*Fays Robt E @ 296-3024
1925 Melody John D @ 296-5377
1931 Hilgeman Roy A @ 295-7956
1948 Crawford Rayburn E @ 291-4686
1955 Navarra S Mrs @ 296-1966
1958 Giacciona Joseph @ 298-6429
2005 No Return
2010 Vacant
2011 Kenny A B 298-3270
2017 Shough & Sons Construction genl
contr 296-6732
Shough Geo J @ 295-6732
2025 Patterson Harold L @ 298-5670
2026 Anthony Geo K @ 297-2187
2031 Sepanik Lillian Mrs @ 295-7267
2037*Coons James C @ 295-6456
2044 Vacant
2045 Shaw Howard I Jr @ 295-4445
2049 Gallagher Kenneth M 299-1618
2050 Garapich Gerald @
2061 Steward L Alex @ 295-2060
2061 Paralegal Services Inc paralegal
placement agency 235-8255
Quimette Herbert D 297-2169
2063*Bourquin R W 692-5974
2087 Taylor Harold 295-5707

2089 Groes Saml
2070*Tracey Herman 299-2340
2074 Vacant
2075 Taylor Steph E 295-7068
2077 Danskin Margt @ 295-5707
2085*Hebbe Maye C Mrs @
2086 Avalos Gary
2095 No Return
2097 Lepper Orville O @ 296-1106
2098*Chavez Geo
HANDINI ST INTERSECTS
2105 Merritt Muriel L Mrs @ 295-2649
2105 1/2 Dier H A 298-7395
2110 D'Amato Tony 299-5291
2111 Evens L P 295-9347
2121 Baird Kathryn C Mrs @ 295-9192
2127*Sharp Donald J 295-1911
2137 Collier Earl M @ 295-9148
2143 Jarvis Richd H @ 295-3581
2148 Chowning Stata T Mrs @
2149 Nussey Herbert V 297-2138
2149 1/2 Pettis Burgess
2151 Shovan Arth B @ 295-7902
2152 Collier Harold M @ 296-1273
2151 Sherman Clarence H @ 296-3639
2164 Busalacchi Mario J @ 298-6457
2171*Anderson Robt M Jr 295-7231
2174 Monsoes Ralph G @ 298-2976
2175a Altaire David G @ 298-9683
2175b Kolar Jane 291-7448
2186a No Return
2186 No Return
2191 Haggin Douglas E @ 291-4388

CALLAN RD (LA JOLLA)--FROM
11100 N TORREY PINES RD EAST
ZIP CODE 92037
CALLE ABAJO --FROM VALLEY RD
NORTH 1 WEST OF END OF REO
DR
ZIP CODE 92139
3001 Twin Hills Youth Park 479-9711
3129 Bonita Paradise mobile home club
475-1800
SPACES
55 Schultz Arnold 475-1800
101*Avia Edwin M
102 Kessler Robt C 479-4278
103 Maxey John M 475-4088
104 Osborne Ita H 475-4876
105 Connor Judy
106 Hayes Barmoy 475-8585
107 Loch Margt 475-3271
108*Mason Myron E 479-0303
110*Fouch Clara 475-4811
111*Peifer Thos E 267-0695
112 Rann Richd E 479-8880
114 Jacoby Michl M 479-6550
115*Crankschaw Jesse L
116*Squibb Dwight @
117 Williams Robt
118 Nielson Eunice Mrs @
120 Hall M K @ 475-5365
121 Rudolph Danl W @ 479-2450
122*Ames V J 475-8198
123 Rudolf
124*Mayas Ovella D Mrs @ 479-6987
125 Price Edwina Mrs @ 475-6620
126*Moies Ethal D Mrs 479-8265
127 Boris Frank J @ 475-4497
128*Jacoby Milton @
129 Murray Wm L 475-8039
130 Cook D A @ 479-2735
131 Mancini Emilio G @ 479-6960
132 Abel R K @ 479-1694
133 Parker Ira W @ 475-4159
134 Guanterer Alf J 475-6146
135 Funcheson Louis R @ 475-4738
136 Wolfe Jack B @ 475-4836
137 Scobell John J @ 475-1672
138 Barber Wm A @ 479-7426
139 Kollada Geo @ 479-9949
140 Frankln Fredk D @ 479-5285
141 Ketchpaw Sylvia R @ 479-1636
142 No Return
143*Bouck M W 267-3999
144 Costanzo Marian Mrs @ 479-6318
145 Vacant
146*Reynolds Miyoko @ 475-0898
147*Wood Austin @ 475-2700
148 Morin Mattie L Mrs @ 475-3640
149 Willardson Vincent @ 475-7220
151*Favor David @
152 King Edw W @ 475-3278
153*Snyder Lea @
154 Brunson Garth R @ 475-3280
156*Sears M A @
157 Price Eug A @ 479-3904
158 Grant Clarence G @ 479-2887
159 Farrell Edith Mrs @
160*Adams Ed @

162*Domiguez Ricardo 478-1301
163 Roffe Robt L @ 475-6886
164 Richards Leona @ 475-7426
166 Mendez Connie @
167 Garcia Raymond @ 475-0440
168 Vacant
170 Vacant
171 Lee Donald T 475-3492
172*Little Paul @
173*Peake Chris @
174 Carkonen Victor J @ 479-2888
175 Scott Charles W @ 479-2483
176 Guthrie Tomi K @ 475-2786
177 Jensen Carl @ 475-0314
178 Buckman Stig @ 475-3461
179 Huck Dorothea E Mrs 479-6280
180 Kennedy Mary C Mrs 475-3259
181 Cramer Lester J 479-3394
182*Williams Paul
183 Sherman MilFord 479-0509

CALLE AGUADULCE --FROM 6180
CUMBERLAND ST SOUTH
ZIP CODE 92114
2411 Rice Julia J Mrs @ 479-3743
2412 Diaz Rick L 475-0144
2420 Hyatt Charles E @ 479-3853
2426 Kraft Herbert H @ 479-5267
2434 Russell Patk J @ 479-5195
2440 Colten Howard D @
CALLE TOCON BEGINS
2441 Mendez Delfino
2446*Hiles Steve
2451*Seblan Jos P @ 479-6341
2452 Colvin Charles F @ 479-2906
2457 Martin Ben @ 479-1269
2458 Davis Charles R @ 479-2041
2463 Brewer Vernon M @
2466 Nitzel Donald L @ 475-3845
2469 Cole Walter R Jr @ 479-2891
2472 Cole Harold W
2478 Sala Peter C @ 479-5832
2484 Silva Geo P @
2490 Mills Kenneth @ 479-3304
2491 Gruber Hubert @ 479-5636
2504 Doughty Ellen V Mrs @ 479-2999
Sparky Jeao E Mrs 479-2736
Gregor Lois L Mrs @ 479-4999
2514 Munger Arth V @ 479-5996
2524 Sherman C A @ 479-3960
2529 Dolmage Vern L @ 479-1663
2534 Baker Kenneth
2536 Ater Stavan @ 479-3796
2544 Eakridge Arth W @
2545 Shirk Sherwood @ 479-5245
2553 Guig Dorothy Mrs @
2554 Moreno Francisco @ 479-6774
2563 Gist Bartha Mrs @ 479-2071
2573 Tullman Ronald W @ 479-6533

CALLE ALTA (LA JOLLA)--FROM
CALLE VAQUERO SOUTH 1 EAST
OF CALLE CAMILLE
ZIP CODE 92037
1517 Weiss Leon D @ 272-8466
1527 Lopez Leonard F 272-1276
1537 No Return
1547 Wright Charles A @
1557 Applestein Jeffrey M @ 272-3143
1587 Vacant
1577 Arnolds Joseph 272-9103
1587 Scarpella Frank K
1597 Farrell Eugene H 270-1842
1617 Matland Richd D @ 273-5482
1637*Brawley Robt W 272-5672
1667 Tisch Donald C @ 272-5054
1677 Du Plessis Louis A @
1897 Potter Ronald B @

CALLE ALTURA (LA JOLLA)--FROM
8500 BLK RUTGERS RD
SOUTHEAST
ZIP CODE 92037
1413 Canuffio Ralph
1421 No Return
1429 No Return
1434 Mathews Wesley H @
1439 Rokoff Michl 469-4854
1442 Post John S @ 454-7094
1447 Zuckerman Geri F Mrs @ 459-5966
1450 Malloy John M @ 454-8379
1455 Donnich Hans W F @
1458 Dehlem Karl @ 459-5362
1461 Abel Robt F @

CALLE ARRIBA --FROM 2650
MORNINGSIDE DR EAST
ZIP CODE 92139

COLUMBIA ST 1980

COLUMBIA ST--Contd

2629* Lanfist Robt A 298-0278
2630* Kennedy Chas F @
2643 Babka Isali 293-7464
2653 Mc Cune Mark T
2655 Vacant
2657 Hextell Orville G 297-1417
2669 Zimmerman Rudolph F @ 297-2752
NUTMEG ST INTERSECTS
2703 Fuller Leonila A Mrs 298-4879
2705 Conaway John D @ 298-2467
2710 Theaker Marga Mrs @ 299-4056
2715 Stanley Ethel J Mrs @ 295-5018
2727 Vacant
2729 Norton John @
2732 Irving Michl T 298-5235
2737 Zizzo Salvatore A Jr 297-1370
2739* Tubach Gary 692-0165
2741 Zizzo Maria Mrs @ 295-1096
2744 Middlebrook R Philip @ 295-5084
2763* Hazard B 295-6982
Rear Lewis R G
2758 Cass Phillip D 291-5089
2775 Kidder Harlan D @ 297-1360
OLIVE ST INTERSECTS
2801 No Return
2803 Acheson Fred 299-4390
2805 Friel J
2807 Straube V
2811 Raina M
2816 Tuohy Tim
2818 Waslon Larry R
2825 Bonham H L
2827 Hervig Edwin L 298-9116
2830 Music Teachers Assn Of California
professional orgn 296-4467
Penwick E Bernice Mrs @ 296-4467
2831 Vacant
2836* Winegarmer R
2839* Brown Kent 692-3216
2837 Anderson Lyle J 295-7515
2840 Bagda Maria Mrs @ 295-1285
2849 David Victor R @ 295-2642
2851 Zambruno Jose 297-3971
2859a Colla Lilla Mrs @ 295-6911
2859b Colla Salvatore S 295-9075
2864 Morrison Ethel T Mrs @ 293-7046
2869 Pickens Margt L Mrs @ 296-4225

PALM ST INTERSECTS

2901 Bay State Apartments
* Tarantini Isadora J
2903 Wells Robt 298-0499
2905* Enos Stephen
2907* Crawford Gary L
2909* Gotis Tina
2911* Smith Brian 692-0708
2913 Pereira Frank 295-1124
2916* Zeballos-Peralta Roberto O
2917 Echlin Henry M 297-2061
2919 Lawrence J C 299-2056
2919a* Bollmann Klaus
2921* Molina Hector
2930 Huffman Ira A @ 298-3668
2940 Littlepage Russell S @ 295-2550
2950 Garcia D 297-8076
2952 Peabody Rosemary 291-1286
2954 Thomas Harry S @
2955a Vacant
2955b Vacant
2964 Norris Pearl Mrs @ 295-3726
2965 Edgar Richd T

W QUINCE ST INTERSECTS

3002 No Return
3005* Stuart Nancy J
3007 Washburn
3009 Morin Mary J
3011 Kanady Ellen
3013 Hansen
3015 Langston Betty A
3017 Lennon Amine E 298-7606
3018 Apartments
A Girard Barbara J 298-5918
B Johnson Diane 295-2369
C* Lux Patricia
3019 Schneider Geo R
3021 Solheid Cheryl A
3023 Stuart Virginia L 298-0212
3025 Bane Donald
3027 Sykes Jeffery L
3028 No Return
3029 Hill Linda L Mrs 291-5758
3030 Schiller Brian M
3031* Burns Peter J 296-9727
3032 Murphy Thos C
3033 Buss Wayne 291-1453
3034 Ransaw Reginald 291-1066
3035 Mc Cormick Ross A 296-5073
3037 Bell
3036 Basaham Bruce
3040 Basaham Mary L Mrs
3045 Mellus James E @ 296-7571
3054 Dalfio Pauline Mrs
3062 Singleton Loula J 291-9753
3064 Walling Christine L

3006 Cameron Georgia R Mrs 298-9494
3068* Twombly Jay 297-5694
REDWOOD ST INTERSECTS
3217 Apartments
1 Powell David R 295-5469
2 O'Neil Marie E Mrs
3 Schreiber Alexander
4 Donovan Marilyn
5* Chamberlain Martha L 298-8947
6 Maroun Marvin A 299-4995
7 O Connor James D 296-9827
8 Vacant
9 Frontino Ruth M
10* Henig Psyche G 692-1025
11 Ulsund Michl C 291-3217
12 Swanson C A 298-3309
13 Niederman Jerome 296-4438
14* Scott Michl 291-9564
15* Collister Lori
3225 Cheek Reginald C @ 295-5335
3225a* Cortes Juan
3225b* Rodriguez Joe
3229* Smith V L
3242 Cheek Lidu C Mrs @ 291-9704
3243 Smith
3245 Hosi Larson L
3250 Apartments
1* Razler Valentine J 297-8149
2 Stadge Robt E 296-1184
3* Faulkner D
4 Hutchinson Wm E 291-6628
3260 Apartments
1 Best Russell S 294-4437
2 Mora Juan M 298-4576
3 Simonelli Alfred D 295-6180
4* Johnston Tom 291-4703

SASSAFRAS ST INTERSECTS

3310 Hobar Lucille R
3319 Triplett J K 298-8775
3320 Adams Charles C @ 295-6806
3321 Stowers Robt H @ 299-3484
3330 Miller Cath C Mrs @ 295-7690
3331 Hall Artelis R Mrs @ 297-3041
3333 No Return
3343 Harper Terry D 296-4169
3344 Stephens Frances A Mrs @ 296-3404
3345* Engbretson Pamela J 297-8978
3347 Armstrong Jack 297-8978
3354* Cyr Geo
3355 D'Alessio Henry 298-0779
3356* King Brooks
3357 De Hart Helen E Mrs 299-4495
3364 Van Buren Dale L 295-4900
3366 Mauck Wm P Jr @ 296-4289
3368 Bruno Vincenzo @ 295-8294
3372 Carson Anthony L 298-0917

THORN ST INTERSECTS

3425 Ulak Edw
3427 Frieden Dennis 298-5505
3429 Macomber Frank 298-0459
3431 Vidonne Charles 298-4126
3434 Under Constr
3445 Esert Geo F @
3455 Crivello Vincent @ 295-4848
3465* Young Robt D @
3467 Vacant
UPAS ST INTERSECTS
3504 Leggett Donald R pntsr contr @
3505 Kalvitz Cindy M
3506 Murick G
3509 Vacant
3510 Edwards Gladys M Mrs @
3510a* Fredericks Adraanna L
3512 Houg Feith A Mrs 295-5433
3512a* Kirtwright Oscar A 298-7897
3513* Gagliano John A
3515 Pack D 296-6735
3516 Rojas Cirilo G @ 295-7036
3517 Courtney Richd B 295-5207
3518 Ramirez Blanca 297-3779
3519 Tate
3520 Brazil Robt
3521 Vacant
3523 Watson Karen J 298-8613
3525 Gilmora Scott 291-6639
3529 Baker Robt W @ 296-3812
3531 Vacant
3535 Grenier Dennis 296-8875
3538 Crisci Dorothea Mrs @ 295-2869
3540 Renaldi Richd
3542 Weinmeier
3544 O'Malley Dan 295-6676
3546* Lautt Connie

WALNUT AV INTERSECTS

3609* Kohl D B
3602 Hansen A M 298-7359
3604* La Rivere Gilbert
3608 Moore Robt J 295-1144
3608 Campbell Donna
3610 Vega Richd J 297-5384
3612* Bumgarner Bob 296-4876
3614* Christopherson C R
3615 Mc Lemsen Marilyn L @
3618* Idevaite Anna

3620 Schmidt Gladys J Mrs @
3621 Brown Lawrence J @ 295-9666
3622 Lucasa Michl E
3627* Kobe Garth
3629* Eddy Bertha 296-3054
3633 Apartments
A* Chipp Randell 299-7306
B* Vehanen James
C* Batancourt Carl M 299-7876
D* Alvarez Arth
E Mc Daniels
F Vacant
3645a Strickland Ruth M Mrs
3645b No Return
3645c* Romeo Danl 298-6326

CHALMERS ST INTERSECTS

3661 Pickens Chas A
3662 Wade Glinda 298-1170
3663 Goldman Paul @
3667 No Return
3669 Kunkel Harold A 295-8794
3669a* Hiribach Gary S 296-5924
3670* Carvaia Joseph M 291-9559
3671 Ambler Robt B 291-4184
3677 Vacant
3678 Vacant
3680 Vacant
3680a Vacant
3685* Beauregard Eliz 295-1076
3686 Dickinson L 295-9936
3687 Kuljif Jen A A @ 295-9592
3688 Harvey Philip
3691 Knight Chuck 296-2435
3691a* Tourville Stewart 299-8837
3693 Rangul
3695 Schmid M
WELBORN ST BEGINS
WINDER ST BEGINS
1 Mc Guirk James 295-7479
2* Boudreau Valerie Mrs 291-1726
3708 Vacant
3710* Klemm Erika J 297-9775
3712* Levinson Louis J 574-0175
3716 Dawson Patk
3718 Melendez Rafael 294-9825
3719 Reister Dot 298-0196
3720* Marchant Lee E 293-1435
3723 Crisci Rose Mrs @ 295-3872
3730 Vacant
3731* Ehas Charles N 297-2190
3736* Robbi Wanda T 295-2826
3744* Taylor Sherry E 298-6462
3745* Butemer D 296-1647
3746 No Return
3748 Branneman R
ANDREWS ST INTERSECTS

COLUMBINE ST --FROM 2700 FAIRMOUNT AV NORTHWESTERLY

ZIP CODE 92105

2680 Edwards John R
2682 Schmiedel Jean 282-6765
2684* Linton Russ 282-8424
2715 Clark Peter D Jr 289-4535
2716 Grove Jon W @ 282-2574
2719 Pacheco Tony L @ 281-0255
2722 Baies Eimer L @ 284-5774
2723 No Return
2727 Cottrill Hubert 283-9924
2729 Dooly James J @ 284-6744
2733 Olaid Jesse R
2735 No Return
OLIVE INTERSECTS
2803 Vacant
2805 No Return
2807 Vander Charles C Jr @ 284-7760
2820 Nanez Cruz @ 281-5794
2825 Piper Jos
2828 Posada Simon Jr 282-4336
2829 Talavera S Mrs 283-1346
2831 Johnson Marjorie 281-5251
2835 Chiders Geo @
2837 Almaguar Americo 284-3959
2843 De Grenier Bill J @ 282-5203

PEPPER DR ENDS

2903 Vacant
2905 Wilson Jerry
2909 Erickson Patricia A Mrs @ 282-3450
2915 Jackson James E
2917 Mack Cecil R @ 280-2577
2921 Johnston John W @ 282-5172
2926* Oviatt Joyce F
2927* Blackman Sharon M 280-9534
2927a* Blair Roy O 282-4946
2930* Phelps G A
2933* Aranda Francisco
2939 Mitchell Beatrix E Mrs @ 284-7013
QUINCE ST INTERSECTS
2954 Cole Richd 284-4116
POPULAR INTERSECTS
3014 Krum Marie Mrs @ 284-7805
3019 Vlach Ruby J Mrs @ 283-3429
3020 Ramoa Robt G @ 282-9007

3021 Southwick Dortha M Mrs 280-4590
3026 Young Kenneth D Gardening Service
Young Kenneth D @ 563-0593
3028 Norman Guy R @ 283-8933
3032 Elliott Betty Mrs
3033 Adams Walter H @
3038 Huillet Pauline R Mrs @ 281-9588
3041 Jones Margt V Mrs @ 284-7643
3042 Higgs Elsie L Mrs @
3044 Smithson Sylvia W
MANZANITA DR INTERSECTS

COLUMBUS ST --FROM 10470 AMANTHA AV EAST

ZIP CODE 92126

8019 Strong Thos V 566-3357
8020 O Quinon Christopher D @
8029* Simpson Doris @ 578-8858
8030* Fargo Wm G @ 578-6736
8039 Casillo Rodolfo B @
8040 Hertel Wilbur J @ 566-2541
8049 Stratton Wm E @ 566-5466
8050* Munzer Ronald K @ 578-7189
8059 Lawson Brent W @ 566-3317
6060* Kiln Arth K @ 566-1416
6069* Cook Andre
8070* Madden C B 566-0312
8073* Graupman Roger @ 566-8753
8080 Holman Kirk L @ 578-4641
8089 Sadowski L M 578-0967
8090 Bond Robt D @ 566-2017
8109 Weaver Greg W @ 578-8758
8110 Vacant
8115 Hansen Danl M @ 566-0541
8116 Gagliardi Frank A @ 271-0785
8121 Milhausen Richard H @ 271-1017
8122 Wagner Donald A @ 566-4436
8127 Alvarez Rafael @
8128 Holthebeck Gordon D @ 566-2907
8133 Higgs Ronald L @ 566-1678
8134 Ross Carolyn @ 566-9247
8139* Sanidad Oscar D @
8140* Preston H @ 566-1587
8145 Vanard R M @ 566-1587
8146* Macaspac Hector O @ 566-2457
8151 Tarrant Sandra J
8152 Malloy Raymond E @ 566-2059
8157 Smith Ray C @

COLUSA ST --FROM SOUTH OF 5600 FRIARS RD NORTH

ZIP CODE 92110

YUMA ST INTERSECTS
1101 Vacant
1111* Sloan Richd J @ 692-9694
1111a* Coers Nora
1121 Fells Joe D @ 291-5851
1126* Mallo Dennis
1129 Fiero Leonard Jr @ 296-1236
1130* Pierni Kerri
1135* Fox Shirley
1135a Vacant
1145 Martin John B @

RILEY ST INTERSECTS

1205 Mission Valley Manor Apartments
1* Strout Nancy J 574-1489
2 Saulnier James E 298-5641
3* Goldstein Doug
4* Warden Noreen 296-3982
5* Concha Anthony
6* Phayer C Thos Jr 692-4346
7* Potter Theo P 296-3658
8 Gomas D 297-9196
9 Vacant
10 Vacant
11* Cheung Lelia 693-8160
12* Pangelly D
13 Locke Harry 295-8759
14* Lipton Scott
15* Nagata Joyce 298-8312
16 Zuglaibi L
17* Erickson Mary 574-0895
18* Ormsdell Pete 297-5789
19* Geiser Tina 295-3292
20* Platt Veronica M 299-5743
21* Torpey Karen 299-0790
22* Misch Pam
1236* Perry James D
1238 Gomez Bryan B
1240 Mc Laughlin Charles S 297-6307
1242* Sahalt Susan J 295-9029
1244 Vacant
1246 Cain John @
1246 Whitaker Conrad 295-3437
LAURETTA ST INTERSECTS
1251* Jimenez Alberto
1253 O'Hear S Lois 299-6744
1255 Runsey Peter B 299-2765
1270* Mc Kievlck Peter A 294-9872
MILDRED ST INTERSECTS
1307 Apartments

7841 Bailboa Av., Suite 107

ing

m

0

6

D

GLENWOOD DR 1980

463

GLENROY ST—Contd
 6431 Wright Edw E @ 582-1412
 6440 Willis Jerri M Mrs @ 286-2132
 6441 Mc Laughlin Wm T @ 286-7267
 6450 Jenkins Dorothy @ 582-2608
 6451 Haug Shain B @ 286-7608
 6460 Sharp Wm T @ 583-9198
 6461 Walling Raymond B Jr @ 582-2420
 6470 Alimant Rudolph L @
 6471 Scandero Charles W @ 583-3224
 6481 Fairbrother Edmund E @ 287-0460
 6481 Condon Lorne J @
URCUTT AV INTERSECTS
 6505*Price Elaine @ 265-7674
 6510 Curry Robt H @ 582-0383
 6515 Josselyn Irene E @ 582-8720
 6518 Murphy Joseph M @ 582-4814
 6525 Lord Phillip J @ 287-4202
 6526*Deluz Madardo L @ 287-3216
 6583 Lieras Vincent @
 6534 Abrego Donald L @ 582-4076
 6541 Crossley Eug I @ 582-8626
 6542 Stone Dorothy W Mrs @
 6549 Rukes Albert H @ 582-0581
 6550*Olson Jesse D @ 265-7517
 6557 Summers Bob G @ 286-4019
 6558 Bunch Richd E @ 582-3196
 6565 Rubino Sallie F Mrs @ 582-5288
 6566 Humiston Lerry A @ 286-2136
 6573 Gifford Max W @ 583-6143
 6580 No Return
 6591*Hendricks Ray
 6590 Melton Ivan A @
ZION AV INTERSECTS
GREENBRIER AV INTERSECTS
 6727 Paden Van 583-4643
 6736 Bret Robt A @ 582-4913
 6743 Huber Jessie @ 582-9493
 6751 Hammond Edw J @ 583-0244
 6759 Weber Alan @ 583-4136
 6768 Jones Wm R @
 6787 Cosper Donald @ 583-6310
 6775 Loomis David M @ 583-6081
 6776 No Return
 6785 Nelsen Robt L @ 583-0294
 6786*Wedgwick Michl T
GREENBRIER AV INTERSECTS
 6801 Garcia N @ 287-9185
 6807 Manry Mendel A @ 583-1166
 6811 Verry Simon @ 582-7738
 6815*Clark Wm @ 583-2427
 6821 Peterson Rick Rev @ 583-1997
 6827 Kohrer Harry W @ 582-9881
 6838 Roth Paul M 583-3864
 6839 No Return
 6845 King James C @ 286-1439
 6851 West
 6858 Jackson Roland B @ 583-0352
 6860 Schulz Frank K @ 583-4471
 6863*Sullivan John P @ 286-9322
IRWIN AV INTERSECTS
 6869 Carrillo Joseph @ 287-7374
 6870 Flanagan Thos J business consultant @ 583-3680
 6875 Johnson Larry S 286-0667
 6881 Fin's Wall Inc contr-bldg-genl 583-6200
 Findahl Carrol W @ 583-6200
LEWISON AV INTERSECTS
 6885 Edwards Constance L Mrs @ 583-3744
 6886 Buck Wm J @ 582-4772
 6889 Clatterna Manual @ 287-0183
 6892 Gibson Paul E @
 6894 No Return
 6897 Grim Benj R
 6898 Olive Wm T @ 582-9055
PRINCESS VIEW DR INTERSECTS

7020 Iherra Herbert @
 7028 Hicks W Kenneth @
 7036 No Return
 7044 Bonyr Walton R @ 582-9270
 7052 Georgin Nicholas E @
DUNDEE AV BEGINS
 7060 Sumner James W @
 7068*Van Wunseele Deborah @ 582-6617
 7074 Deigacillo Margt 287-8318
 7082 Lawrence Earl V @ 582-9659
 7090 Donovan Wm E @ 582-9135
ELGIN ST BEGINS
 7106 Schilling Gordon L @ 582-9303
 7118 Armantrout John W @ 583-0764
 7126 Zeinermok Mohl 286-7763
 7136*Hooper Perry @
 7146 Seibak Robt H @ 582-1528
FORBES AV BEGINS
 7156 Gagnon Rene J @ 583-5664
 7166 Cyr Angeline Mrs @
 7176*Gaiser Raymond B 287-7520
 7186 Bach Eug H @

GLENWICK LA (LA JOLLA)—FROM 8860 DUNAWAY DR WEST THEN NORTH
ZIP CODE 92037
 6556 Yang Ling @
 6572 Schminke Paul @ 453-2474
 6587 Peterson James R 453-1285
GLENWICK PL BEGINS
 6695*Clark Sidney B @ 452-5056
 6696 Brody Stuart @ 453-1934
 6703 Chrippael Martin @
 6704 Roberts Verl E @ 453-0112
 6720*Rodgers Douglas L 452-1786
 6721 Rogers Florence J Mrs @ 453-5847
 6735 Schoene Thos W @ 453-3934
 6736 Bennett Charles R @ 453-2968
 6750 Freeman Richd J @ 453-9078
 6751 D'Andrade Roy G @ 453-7739
 6756 Vacant
BORDEAUX AV INTERSECTS

GLENWICK PL (LA JOLLA)—FROM 8687 GLENWICK LA WEST
ZIP CODE 92037
 2711 Arthenius Gustaf G @ 453-2255
 2712 Viterbi Andrew J @ 453-8195
 2721 Bagley Marie L Mrs @ 453-0365
 2722 Hillyerd Steven A @ 453-6259
 2731 Dennis Edw A @ 453-8741
 2734 Copeland Dempsey @ 452-9307

GLENWOOD DR —FROM 3570 UNION ST WEST
ZIP CODE 92103
 1504*Hynum Barry @
 1506 Dally Helen A Mrs @ 295-7323
 Horton Janet L 295-1871
 1507*Boone R 299-1049
 1509 No Return
 1511 Springer Leon @
 1512 Johnson Peter B 299-1927
 1512 1/2 No Return
 1519 Button Melvin H @ 298-5129
 1525 Bridge Blanche W Mrs @ 295-9957
 1530*Haynes Steve 295-5356
 1531 Ghooser Helen K @ 296-3629
 1533 Burrow Wm C 295-4638
 1535 Davis Merle E @ 295-5067
 1537 Vacant
 1602*Conington Kid
 1605*Rizer C
 1607 Ladd Rebecca S 296-2483
 1609 Coffee Joseph J
 1610 Hart Esther M Mrs @ 295-8170
 1616 Cleck Walter B @ 297-0673
 1616 1/2 Vasquez Elvira
 1620 Vacant
 1624 Peachey Douglas 291-8808
 1626 Taylor Carol
 1628 Basaham S R 297-7066
 1628 1/2 Vacant
 1630 Repine Claude E 295-7966
 1630 1/2 Baer Nancy 297-9942
 1632 Stegel David C 295-1878
 1633*Bembry Thos
 1634 Papitto Joe
 1636*Schwingl Paul F 291-5630
 1702 Toraitis Tom G
 1704 No Return
 1706 Havens James I. 291-4267
 1708 Vacant
 1709 Elmore Geo S 298-5185
 1710*Repine Sylvia
 1711 Horner Henry H 295-4861
 1712*Perka Terry M 295-2831
 1715 Gerrisi Joseph L 296-9289
 1716 Erwin Earl J 295-3583

1716 1/2*Boddenhammer Thos C 299-1921
INDIA ST INTERSECTS
GLIDDEN CT —FROM 6800 GLIDDEN ST NORTH
ZIP CODE 92111
 1720*Bozco Julian @
 1721 Booth Richd @ 560-5216
 1740 Ambrozick Edw @ 277-4641
 1741 Delao Manuel C @ 277-5032
 1760 Blando Romulo B @ 278-0405
 1761 Flumian Giovanni @ 279-8654
 1767*Leicanta Thos @ 560-1890
 1772 Vacant
 1773 Donnelly John 279-1816
 1778*Hasselton Scott T 278-7815
 1779*De Maria Lucy Mrs
 1784 Cain Edw E @ 277-6140
 1790 Pontecorvo Maydell I. 278-8621

GLIDDEN LA —FROM 1770 GLIDDEN CT WEST A CUL DE SAC
ZIP CODE 92111
 6505 Ma Cracken Bess L @ 278-0906
 6515 Russell Frank W @ 279-0629
 6516*Curry Sue 565-8048
 6525 Naiman Eileen H Mrs 560-4779
 6526 Moss R P @ 560-7317
 6534*Springer M K 268-0412
 6536 No Return
 6545 No Return
 6546 Vacant
 6555 No Return
 6556 Nucci C Arth @ 277-8894
 6555 Fiorentino James 278-8082
 6568 Serna Steph P 279-3872
 6875*Millay Patk

GLIDDEN ST —FROM 1 WEST OF 1700 CORSICA ST EAST
ZIP CODE 92111
 6309 Williams Elsa A Mrs @ 278-3807
 6323 Horton Paul @ 278-8862
 6337 Sampson
 6351 Vattimo Mark J @
 6365 Dickinson Wayne E @ 279-3881
 6401*Shahley Jerome @ 569-0636
 6418 Clegg Ann S @ 279-0741
 6429 Vacant
 6443 Fiello Bernard R @
 6457 Cestagnola Michl @
 6471 Israel Chas L @ 277-3966
CORSICA ST INTERSECTS
 6519 Wiley Geo M @ 277-4498
 6524 Young Leonard 285-5402
 6527 Carlisle Kenneth 277-1511
 6536 Sullivan John S @ 279-0846
 6539 Hill Wm T @ 278-6222
 6552 Barwick Edw J @ 571-2701
 6563 Welingarten Geo @ 263-8179
 6566*Fuller Terry L 277-3686
 6577 Valdez Alfredo R @ 292-9859
GLIDDEN CT INTERSECTS
 6608 Tenco Mario @
 6615 Jette Muriel E 292-5201
 6626 No Return
 6629 Elmore Leonard K @ 277-0277
 6640 Padilla Augustine
 6643 Ogata Kazuko gdr @ 278-9567
 6657 Page Wm M @ 279-7361
 Information Software Service Inc
 computer software-banking
 669-1984

ALCALA KNOLLS DR INTERSECTS
 6702 Bebe Louise @ 279-7811
 6712 Villa Vista Apartments 279-4871
 1*Sauer Patricia
 2 Dykstra Darrell C 565-0384
 3*Gindia Flora
 4 Chapman Margt V 292-0167
 5*Waisel Mark
 6*Valdez Gladys A 279-4480
 7*Gerard Robt
 8*Umphres Roger W 278-0891
 9*Schwartz Steven
 10*Freepun Dave
 11 Humes Delores
 12*Solis Wm
 6713 Apartments
 1 Shickney John 571-8855
 2 Vacant
 3 Vacant
 4 Laird David 278-9249
 5*Merbrej Donald
 6*Meck Paul H
 7*Peasnak Julie
 8 Coleman Dani M 277-9771
 9*Gibbons Jeff
 10*Turnm John
 11*Graham Jeff

12*Hopins Leslie
 6730 Apartments
 1 Stuart Patricia A 279-8231
 2*Mc Callum Rodney
 3*Locklear Gene
 4*Smith Nancy
 5*Morales Antonio
 6*Larkin Eileen
 6731 Apartments
 1 Medrano Mattie
 2 Silver Paul J 560-0798
 3*Robles Domingo
 4*Shiplee Reece Mae 560-0467
 5 Petree Deanna
 6 Folsom Carol L Mrs 560-7785
 7 Vacant
 8*Martinez Jennie
 6742 Apartments
 1*Deitering Michl 268-8392
 2*West Rodney
 3*Ramirez Michl
 4*Taylor James E 278-6183
 5*Mc Kee Thos
 6*Stewart David
 7 Dugan Kathleen M 292-0700
 8*Clark James
 9*Malonado Suzanne M
 10*Louis Dexter B 560-7802
 11*Abdul-Jabir Mustapha 571-8511
 12 Den Patricia
 6753 Apartments
 1*King Valerie
 2*Thies Park J 571-7637
 3*Dallas Polito 569-0283
 4 Campbell S Ila Mrs
 5*Krueger Scott
 6*Kennedy John
 7*Gillen Michl
 8 Iarvey Norman 571-1748
 9*Carlson Phyllis 571-0815
 10*Niley Joy
 11 Hochbrueckner Carol D 277-5709
 12*Wulfson Julius 571-8867
 13 Vacant
 14*Brown Naomi
 15*Roza Cynthia 571-7619
 16 Pankrell Wm T 279-4297
 6754 Apartments
 1*Senko David M 292-5438
 2 Vacant
 3*Farley Mike
 4*Arise Geo
 5*Donaldson Suzanne 279-6179
 6*Robin Thos P
 6775 Apartments
 1*O'Hara Ned
 2*Wisong Eric 277-9634
 3 Roren Linda 560-6876
 4*Mc Kernen Peter 571-5160
 5*Perez Rickey
 6 Walker Pearl J Mrs 560-1957
 7*Lokite Todd 279-9201
 8*Walburn Thos 268-8842
 9*Wim Jim J 279-7279
 10 Goldman Harold 279-9174
 11 Nold Allan J 292-0808
 12 No Return
 6782 Apartments
 1*Hallahan Maureen 569-0818
 2*Garza Eduardo 268-8610
 3*Keayne Steven
 4*Gage Ruth
 5*Avremi Siernak 278-7035
 6*Griffin Ralph 565-7825
 7*Bar Howard
 8*Howard Bonnie

LINDA VISTA RD INTERSECTS BURTON ST INTERSECTS
 6821 Puentes Snivador S @ 292-8346
 6822 Starkell Wm V 560-9290
 6821 Naranjo Mariano @ 279-2091
 6832 Tignor Fred L @ 277-6088
 6842 Garcia Andrea @ 278-5935
 6849 Waddell Mary Mrs @ 279-2554
 6852 Hinrichs Carl J @ 277-4391
 6855 Free Will Missionary Baptist Church
 278-4550
COOLIDGE ST INTERSECTS
 6911 Lara Nurcio E @ 277-1611
 6912 Ortiz Dora Maria Mrs @
 6922 Gonzalez Alfonso @ 277-6911
 6931*Dvorak Michl R @
 6932 Schwartz Albert C 277-4932
 6941*Burst Geo
 6942 Siska Beulah Mrs @
 6951 Trujillo Ronald
 6952 Trujillo John R 565-6767
 6961 Serrano Wm @
 6962 Hope Garman E @
 6971 Ramero Alf A
 6972 Poure Thomas 279-4178
 6981 Wheeler D J
 6982 Wilson Le Verne K @ 277-2890
 6990 Vacant

THE COMPANY 631 UNIVERSITY AV 171 NO. EL CAMINO REAL

ENCLINAS 562-2244 - 241-7344

5801 FAIRMOUNT EXTENSION

483-1000 EASTERN

SAN DIE

INDIA ST 1980

521

INDIA ST--Contd

2367 Golden West Rent-A-Car 231-0525
2375 Vacant
KALMIA ST INTERSECTS
2400 City Dry Cleaners 234-6509
General Uniform Corp rental 234-6509
2414 Morper Oather
2414 1/2 Vacant
2416 Romero Peter
2418 Vacant
2420 Miller Ella M 233-1866
2422 Vacant
2424 Bradley S L
2424 1/2 Alatorre Antonio C 233-3919
2426 Moyo Elvia M 233-0204
2426 1/2 Hernandez Alburo 233-8028
2429 Powell Lita D
2428 1/2 Rodriguez Louis A Jr 238-2612
2430 Vacant
2430 1/2 Caatillo Alberto
2436 Mc Intosh Debra Mrs 235-8030
2440 Sanchez Carmen 230-4307
2442 Brown Gary
2442 1/2 Francisco Sam 234-9958
2444 Tristan Victor V 233-6037
2444 1/2 Vacant
2446 Erico Albert 232-2681
2452 De Wald Sarah A 234-7230
2454 Vacant
2456 Vacant
2458 Bear Douglas E
2468 Crimera Anthony @
LAFREL ST INTERSECTS
2504 Ledford Muriel A 230-1049
2508 Jones Ray D 235-0946
2518 Collier Gregory A
2520 Martinez Cruz
2528 Gomez Salome 233-4555
2530 Trejo Susana
2532 Vacant
2540 Renteria Ramira 284-2825
2544 Estrada Nambu
2548 Lopez Estaban
2552 Vacant
2554 Vacant

MAPLE ST INTERSECTS
NUTMEG ST INTERSECTS
OLIVE ST INTERSECTS
ZIP CODE 92103

2837 Lopez Felix
2839 No Return
2849 Boughan Gerald 289-9496
2865 Meyrose B
2867 Marvin Edw W 281-4653
2869 Burkhardt Joseph M 291-0544

PALM ST INTERSECTS

2921 Savage S 692-0712
2923 Vacant
2923 1/2 Troller Ed
2927 Apartments
1 Linden R A
2 Page A
3 Brockman Howard L
4 Johnson O L 291-2123
2971 Len Star Real Estate 692-3500
2973 Coast Business Services secretarial serv 295-3151
W QUINCE ST INTERSECTS
3009 Silva J M Mrs @ 296-6840
3033 Hammond Machinery & Supply Co Inc 298-6155
3051 No Return
3053 Camera Ready Graphics graphic design 299-0640
3055 Crane Loch & Associates archt & planning 297-5950
Kane & Associates advertising 297-0208

REDWOOD ST INTERSECTS

3103 Compleat Rug & Upholstery Cleaners 296-0152
Raffee Compleat Carpet Cleaners 296-0153
Pfoifer's Compleat Inc carpet & rug cleaners 290-0152
3128 Vacant
3141 Terramagra Michl R 291-7697
3153 Occupational Therapy Associates 291-8823
3153 1/2 Vacant
3167 Oxford Agency ins agcy 420-1592
3175 A Different Drum cocktail lounge 296-0789
9175a Hillcrest Auto Sales 296-6789
SPRUCE ST INTERSECTS
3211 Import Tire Co dealers & repr 291-8665
Mc Kane's Rover Imports Inc land rover parts & serv 298-7371
3231 Mission Hills Auto Body 299-3998
3241 Maurice's Foreign & Domestic Auto Repair 298-3164

3265 De-All San Diego Co, mach sup 291-4600

SASSAFRAS ST INTERSECTS
3325 Greengrass Murray Consta bldg contsr 582-3164
3341 Bailey Rich W
3341a Quality Distributors Spa Covers swimming pools equip-sups 692-3025
3341 1/2 Rodriguez Jesus 296-2322
3343 Young Robt T
3343 1/2 Garcia Malisquias M
3345 Lightfoot Staven A 295-8540
3347 Walsh John A 299-0366
3351 Admiral Termites Inc 298-6305
Admiral Construction Co genl contsr 298-1867

3351a Su-Mi-Ko Oriental Massage Parlor massage parlor 296-0569
3353 Riely John D 297-0740
3355 Baldwin Francis
3365 Razz's Aero Club tavern 574-9758
3367 Coronado Research & Development Co 297-1592
3443 Courtsports racket ball courts 294-9970
Lohdefinck F J Massage Therapy massage parlor 299-1271

UPAS ST INTERSECTS

3503 Welch J Mae 298-1980
3505 Vacant
3507 Stevens Sonis 297-1058
3509 Esquer-Duarte Antonio
3511 Vacant
3519 Marka Robt
3519 1/2 Bissell Olivia
3521 Stromwall Graco
3523 Mc Swain & Associates real est dis 297-1870
3535 Guyron Mel Chevron Service 296-6922

VINE ST INTERSECTS

3585 Amfac Drug Supply whol 298-7151
GLENWOOD DR INTERSECTS
3585 Vacant

WALNUT AV INTERSECTS

3615 James Automotive Service 297-8090
3617 A T S Automatic Transmission Service 297-0251
3625 S & M Printing & Graphics.comi prntr 298-2822
Martin George M Photography 297-7578
3645 J & S Attorney Service 298-9910
3647 Comco cabt mtrs 574-0343
Sanford Robertson Interiors furn-ret 574-0943
3649 American Pickle Co whol 291-2222
3669 Building ROOMS
100 San Diego County Carpentiers Group Ins 299-1826
104 S D County Carpenters Group Ins
200 Gotlieb & Company real est 571-8800
201 Vacant
205 Farmers Insurance Group (Dist Ofc) 299-6773
208 Carille Morton J Inc genl ins 299-6773

STREET CONTINUED

3667 Music Box tavern 295-3908
3667 1/2 Coe Clyde C
3675 Haley's Pay Less Liquors
3683 Randolph L P 297-0703
3685 Randolph Lorna
3687 Seymour Cath Mrs 298-4054
3689 Dillon Helen Mrs
3695 El Indio Tortilla Shop tortilla mtrs 299-0338
3695 1/2 Pasqueira Ralph R @ 298-0746
3697 Barnio's Corner beer & wines 298-0682

WINDER ST INTERSECTS

3701 Sunbow Gallery stained glass 298-8935
3711a Chameleon Records 295-3702
3711b Bernhardt's Books books ret 692-1176
3715 Canora's Sandwich Terrace restr 291-5938
3717 Marquis Public Theater The 298-7674
3719 Marquis Gallery Theater live theater 298-8111
3731 Marquis Public Theater Corp theater operators 298-7674
3731 1/2 Jolin & Young importers 291-4933
3735 Ashe Walden Skin Care & Cosmetics 295-7302
3735 1/2 Powers J W
3737 Doodle Burgers restr 295-5121
3741 Vacant
3743 Vacant

3745 Simons Paul Wm composer & mus tchr
3745 1/2 Busath Scott J 692-1251
3749 Vacant
3751 1/2 Simone J A 297-7055
3753 Sidney's Coffee House restr 295-9465
India Street Poets Theatre

WASHINGTON ST INTERSECTS

ANDREWS ST INTERSECTS
3766 Vacant
3766 1/2 Quade Philip W
3768 Jore M
3770 Peterson
3772 Tillotson M L 692-1914
3774 Helzel Howard
3779 Hair West 291-6072
3780 Iversen Thor L @
3781 White Dana
3782 Burton Bayard T @ 295-7137

INDIAN WAY --FROM 4800

CLAIREMONT AV WEST

ZIP CODE 92117
3659 Vacant
POCAHONTAS AV INTERSECTS
3660 Corley Arnold 275-2684
3666 Shaarer Mary E @ 278-2615
3667 Fisher Thos J @ 270-1292
3672 Lucero Paul 483-0756
3675 Chasey R 270-9168
3678 No Return
3684 Luther Roger @
3689 Trevino Antonio @
3690 Coates Geo M @ 274-5174
POCAHONTAS INTERSECTS
3710 Carlson Robt H 273-7973
3711 Taylor John T @ 276-6857
3781 O'Malley Barbara S @ 270-6614

GILA AV INTERSECTS

3810 Klosterman Billie
3811 Velasquez Genaro @
3840 Vacant
3881 Diep Tai 270-5823
3882 Vorkler Betty J 274-3960
3883 Rodi Klaus H 270-8099
CLAIRMONT DR INTERSECTS

INDIANA ST --FROM 1800 E UPAS

ST NORTH

ZIP CODE 92103
3503 Cristin Marcel J @ 296-0841
3610 Indiana Apt
1 Merritt Leland C 298-6236
2 Moran R
3 Crosby Esther J 291-5602
4 Satefish Geo 296-4582
5 Charlesworth Elenora
6 Sami Walter
7 Bowen Thelma F Mrs 298-7410
3514 Beeman Paul @ 295-3901
3515 Tyler Susan 296-3204
3517 Walker Gina J Mrs 291-8334
3522 Ellis Sophia Mrs 692-9224
3524 Hollerman Dole
3528 No Return
3530 Pugh Anis
3532* Trestick Michl 296-4665
3537 Minter Daley Mrs
3538* Ammon Henri
3544 Mack Eliz 296-9909
3545 Edson Mabel
3546 Fullington Lawrence V 296-8831
3547 Dunn Walter T 295-4997
3548 Scherer Carroll Wm Jr
3549 Frost Carl H Mrs
3551 Kendall Chas W 298-4533
3554 Apartments
A Mc Ardle Sally A 297-2642
B Ollie Henry
C* Tulliver Lenore Mrs
D Stilmac Matt 298-6596
3554 1/2* Hamn Lester J
3559 Apartments
1 Davidson Louise 296-1928
2* Schacho Benj D Jr
3* Reeves Robt D 298-4574
4* Woods Willa D Mrs
5 Norris Thelma E Mrs 296-8021
8 Orton Bruce
7 Orooki M J 299-8837
8* Bird Robt
9* Pughelay James B Jr 296-0827
3602 Madge Anthony 296-4772
3604 Paomas Penelope Mrs 297-2049
3605 Cunningham Clarice
3606 Soyas Hector S 291-8736
3606a* Gettas M A 692-1608
3606b* Warner Evelyn Mrs
3606 1/2* Hall David C
3607 Fowler Leslie @ 299-3607

3608 Rogers S 295-7079
3608 1/2* Sedillo Juana M Mrs 299-4386
3609* Platt Gregory A 295-9569
3609 1/2 Farrow Ronald D
3610 Koppel Karl 291-1526
3611 Kilma Tony J @ 298-4034
3611 1/2 George Ernest O 295-8374
3612 Hoff Tina R Mrs 298-4740
3612 1/2 Manley P A
3613* Skowkowski Martin T 298-4164
3614 Hendrickson Geraldine Mrs
3614 1/2 Whittier Suzanne C 299-6064
3616 Hoff Lorin K @ 296-1515
3621 Apartments

1* Lounsbury Parry
2* Edwards Lucille Mrs
3 Tullmann Dennis M 298-0826
4* Mills Leroy R
5 Bowles Betty 295-0826
6 Doherty Harry 295-9553
7 Manley Kay Mrs
8* Lawson Trudi
9 Bagland Tom
3622 Mc Vay C P @ 295-5378
3628* Holman L D
3630 Ferrantelli Sal @ 297-1820
3633 Underwood
3634* Marnet Paul J 298-1973
3636 Danilson Doris M Mrs 298-1255
3638 Ramenueiler Wilbert
3640 Mayorga Malcolm E 288-4062
3642* Henry Gaylord L 692-0200
3644 Apartments
1* Patterson Viola E Mrs 291-0697
2 Aisup D L Mrs 296-2545
3 Miller
4 Allen Robt E 297-8651
5* Batson Rick

CYPRESS AV INTERSECTS

3650 Stone Manor Apartments 296-3005
Chtry Charles E 291-5130
3652* Mason Paula R Mrs
3654 Van Swearingen Venette 291-1889
3658 Hillis Lester M 295-9223
3662 Hellenic Cultural Society Of San Diego Inc 291-2039
3667* D Amico Ross Mrs
3669 Hall Frances P Mrs @ 295-8063
3680 Crawford Richd G 299-7783
3681 Apartments
1 Sorie Leonard Jr 295-5836
2 Childs Marie L 299-5689
3 Murray Fred L Jr 291-9916
4* Minnott Daisy R Mrs

3683* Chevalier Mozelle Mrs
3683 1/2* Garrison Neil
3685 Sherron Robt A 295-7556
3688* Bradwell Joel
3689 Farrow Emanuel W
3690 Smith Gordon E 294-9871
3692 Haggard Karen Ann 298-0825
3694 Pearson Helen C Mrs @ 297-1382
3695 Remy Danl F @ 298-2375
3697 Schwartz Staven M @
3702 Stewart Dorothy
3704 Burgad Frank @ 295-5695
3706* Barry E L 295-0185
3707 Bugbee Eliz D @ 296-4667
3708 Riggs Mary H Mrs 296-4884
3710* Lapid Arnon 295-6549
3710a* Shatz Abraham 295-7559
3712 Lewis Arth E 297-0497
3714 No Return
3715 Kuhnol Geo H @ 297-3607
3716 Emerling Dennis 291-7685
3718* Belliveau Leo W 692-0631
3720* Bradley Estelle Mrs
3721 Poranski Velma N Mrs @ 298-3475
3729 Goldberg Sam M @
3738 Vacant

INDIANAPOLIS AV --FROM 4788

LAUREL ST NORTHEAST

ZIP CODE 92105
2505 Dobranski Lawie @ 284-0869
2506* De La Cruz Del @ 264-8457
2511 Reife Raymond R @
2516 Apodoca Gil
2525 Dorrell John 282-7883
2526 Anzalone E
2529 Walker Wm H @ 262-6358
2536 Kubitx
2551 Jones Betty Mrs @ 264-4485
2581 Riedon Maria M
2591 Vacant

PACIFIC HWY 1980

758

2667 Camino Del Rio S., Suite 104

San Diego, CA

Telephone (714) 428-2277

SE HABLA ESPANOL San Ysidro, Calif. (62173)

PACIFIC BEACH DR—Cont'd

- 101 Borsos Steph
102*Magill W 270-1284
103*Hom John J 272-8470
104*Mierci O
105*Barber R
106 Tibbets Mickl D 272-4884
107*Supero James J 270-4433
108*Yenyasu A 273-0355
109*Baselon J 270-2704
110*Morgan D
111 Vacant
112*Lindner L
113 Engel Ralph 273-6326
114*Torney K
115 Hanscu Ruth Mrs 272-9802
Pacific Photographers
116*Green David 272-3066
117*Lyons J M 270-7053
118 Stockton B 272-6372
119*Murray K
120*Newberry H 272-2823
121*Meleche L
122 Holton Steven F 272-8341
123*Stewart Robt 272-7856
124*Narramore D
126*Buck Thos 483-1918
127 Vacat
128*Le Blanc M 483-8314
129 Bryaut J C 270-8789
130 Repetto Nancy P 273-6683
131 Hennig Geo E Jr 270-0669
132*Rubinstein Bram M 270-9074
133*Boutros Fares 273-5387
134*Kemper C 483-4792
135 Vacant
136*Long James 483-3817
137*Polavick J
138 Boatz Ed 270-1815
139*Hickey John 272-4498
140*Laughey D 274-0116
141 Carter B M 274-2650
142*Fisher B
143*Kirchner C 272-6467
144*Stofko Thos J 273-6132
145*Hahimpour Abolghassem 270-4385
146*Young Ulrich R 483-4577
147 Buchan John C 272-7946
148 Vacant
149*Frish S
150*Stitzer M 272-3177
201*DiShon R
202 Volpe Aun E 273-1545
203 Woepner K
204*Walsh M
205*Shueks Mike 274-7163
206 Vacant
207*Limosa A
208 Hart Dennis 272-5346
209*Sodas Steven 274-8389
210*Johnston Bud 483-4766
211*Hassani Farideh R 274-3484
212*White N
213*Smith B
214*Chilstrom Glen A 270-7660
215*Cullino S
216 Sevoren Margt M Mrs 272-1732
217 Brown Gregory 270-0075
218*Sabokbar Morteza 274-2202
219*Kraybill G
220*Baron L
221 Piccolo Anna M 270-6895
222 Vacant
223*Fleischman Pearl 272-8372
224 Vacant
225 Vacant
226*Roberts G
227 Grossman P 270-9510
228*Vou Gerichten Mark 272-6733
229 Clapp M J
230 Zeiger Lorenzo 272-4785
231*Nagle J
232*Monnelly Paul 270-4057
233*Herrnha G E
234*Dempsey Lyuu 274-3820
235 No Return
236*Christman John P 275-0707
237 Hoyt Marilyn 270-4608
238*Gallagher Diana 483-0284
239*Lium Carl 270-3318
240*Hoffman J
241 Benesch J
242*Navite John M 273-7472
243*Jeau L
244*Whitney P
245*Mc Neal Kevin 274-5785
246 Vacant
247 Weigle Lewis A 274-2823
248*Braun C 483-4408
249 Raymond D
250 Steiu M
251 Schelling J N 273-3377
252 Pierce Harold K 272-7459
253 Belford Nick 273-4686
254 Moss R

- 318*Moon C
320*Liuberg C
321 Barrett Richd G 273-7149
322 Dean Warren
323 Vacant
324 Druley Douglas E 270-6787
325 Vacant
326*Middleton Robbia D 483-3375
327 Paul John 270-6081
328 Raife Phillip 270-6976
329 Keissig Philip J 272-0973
330 Moberg Peter 270-5022
331 Mosler Laraine
332 Davis Joan 270-3746
833*Bonsvolant Joseph M 270-9968
334 Weiland Ronald 270-4368
335*Richardson M
336 Potter Geo 270-7555
2211 De Anna Campland recreational vehicles campgrnd 274-6260

PACIFIC HWY —FROM 900 HARBOR DR NORTH

- ZIP CODE 92101
HARBOR DR INTERSECTS
MARKET ST INTERSECTS
WEST G INTERSECTS
WEST F INTERSECTS
WEST E INTERSECTS
BROADWAY ST INTERSECTS
1045 Western Carloading Co Inc forwarding agents 238-6631
1085 Vacant
1175 Vacant
1220 U S Naval Audit Serv Western Region (Audit Serv) 235-3672
U S N Western Div Naval Facilities eng command (constn ofc) 235-3641
U S N Western Div Naval Facilities Eng Command 235-3853
U S N Western Div Naval Facilities Kirchner C 235-3881
U S N Manpower & Material Analysis Center 236-3181
Eleventh Naval District Credit Union 232-5674
WEST A INTERSECTS
1305 Harbor Travelodge 233-0398 Phillips Mavin
1378 County Of San Diego Civil Service (personnel dept) 236-2191
W ASH ST INTERSECTS
1408 Lloyd Mike Chevron self serv gas sta 236-0901
1495 Pearson Ford Service Station 237-3432
Pearson Ford Rent-A-Car 239-0120
W BEECH ST ENDS
1606 Civic Center Travelodge motel 239-9185
Chang C Y
1629 Maria's Restaurant (Annex)
1631 Steves Thos J 231-0141
1633 Mario's Restaurant 234-4934
1636 Jack-In-The-Box Drive-Thru restr 232-3608
W CEDAR ST ENDS
Civic Center (See County Administration Center)
1600 County Administration Center 236-2121
Lobby County Info Center 236-2853
Lobby County Administration News Stand 234-2633
Rooms
1 Vacant
3 County Auditor & Controller (Bond Div) 236-2201
207 County Assessor (Emp Payroll Div) 236-3105
8 County Revenue & Budget Management 236-3867
14 County Assessor (Real Est Property Div) 236-3108
21 County Aud & Controller (Storarm) 236-2299
43 County General Servs (Bldg Services) 236-2836
48 County Assessor (Training Rm) 236-3587
46 County Tax Collector records atga
47 County Assessor (Admin Servs) 236-3761
48 County Electronic Data Processing 236-2071
49 Vacant
54 Civic Center Coffee Shop (A R A Servs) coin operated 236-2121
61 Aud & Controller (Esp Storarm)
65 County Auditor & Controller Systems Div edp sys 236-2041

- 66 County Auditor & Controller (Accts Payable) 236-2304
76 County Aud & Controller (Edp Document-Tech Sup) 236-2141
77 County Aud & Controller (e d p admn) 236-2018
92 County Aud & Controller (Store Rm) 236-2121
98 County Aud & Controller Data Processing Div (stock rm) 236-2121
101 Vacant
102 County Treas 236-3751
103 County Assessor 236-3652
103 County Assessor (Prop. Ownership Exemptions & Maps) 236-3771
109 County Assessor-Business & Personal Property 236-3087
110 County Assessor (Administration) 236-3074
112 County Treas Retirement Div 236-2205
112 County Board Of Retirement 236-3743
152 County Tax Collr (Unsecured Property Section) 236-3161
162 County Tax Collr 236-3121
163 County Aud & Controller General Accounting Div 236-2314
164 County Aud & Controller (Aud Div) 236-2301
165 County Aud & Controller Administrative Service Div 236-2285
166 County Aud & Controller 236-3711
207 County Planning & Land Use Dept 236-2115
208 Vacant
208 County Admn Ofcr 236-2722
211 County Office Of Management & Budget 236-2001
251 County Dept Of Health Serv (Kmp Assc Prog) 236-4051
252 County Integrated Planning Ofc (Sub Ofc) 236-2011
260 County Recorder 236-2695
273 County Dept Planning & Land Use (Trans Planning) 236-2114
296 County Chief Admn Ofc ofc mgnt-budget policy-mgmtnt 236-4361
298 County-Ofc Of Inter-Governmental Affairs 236-3900
306 County Bd Of Suprvs Clk 236-2321
306 County-Assessor (Assesment Appeals Bd) 236-2321
310 County Suprvs North Chamber
313 County Ofc Of Pub Information Serv 236-2858
335 County Bd Of Suprvs 236-2281
348 Vacant (Rms 348-354)
355 County Counsel 236-3651
358 County Bd & Comm Meeting Rm (South Chamber)
361 Press Room
375 County Citizens Serv Info 236-3864
County Ofc Of Program Evaluation (Div Of Omb) 236-4053
375 Regional Growth Management 236-4704
402 Clerk Of The Board Of Supervisor records div 236-4563
405 Vacant
411 Press Room (Auditorium)
452 County Local Agey Formation Commission 236-2016
4th Fl Richard's Cafeteria 233-9605
5th Fl County Pub Wks Boiler & Air Condng Rms
6th Fl County Governmental Reference Library 236-2769
8th Fl Storage (8th-10th Fls)
STREET CONTINUED
1619 Rent-A-Car Cheap 232-2041
Jartron Truck Rental 238-1012
1655 Imperial Four Hundred Motel 232-6391
Temple Robt @ 232-6391
1700 County Dept Health Servs 236-2237
County Dept Health Servs (Alcohol & Drug Servs) 236-3068
County Dept Health Servs (Div Environmental Hlth) 236-4717
County Dept Health Serv (San Div Health Insp) 236-2243
County Dept Of Health Serv (Health Educ) 236-2705
County Dept Health Serv Laby 236-2196
County Dept Mental Servs 236-2237

- County Dept Of Health Serv (Physical Health) 236-2237
County Dept Health Servs (Bur Records Statl) 236-2296
County Dept Health Serv (Med Servs Div) 236-2188
County Dept Health Serv (Maternal Child)
County Dept Pub Health Bur tuberculosis disease control 236-2265
County Dept Health Servs (Venereal Disease Control) 236-2264
County Dept Of Health Serv chronic disease control 236-2337
County Dept Health Serv (San Div) mosquito-rodent control 236-2237
County Dept Health Serv (Nursing Div) 236-2245
County Dept Health Servs (ENG) 236-2237
1747 Continental Western Car Rental 236-1500
A T S Transportation Serv 232-1063
W ELM ST ENDS
1825 Boll Weevil restr 234-2464
1919 Seven Plus One Motel 232-1077
Hemmingway Fred
1943 Bayview Travelodge motel 232-7551
Moss Halau Mrs
W GRAPE ST INTERSECTS
2008 Rollins Shell Service 239-4251
2045 Body Beautiful Car Wash 232-8903
Chevron Service Station 233-6903
2070 Pacific Union 76 234-0812
W HAWTHORNE ST INTERSECTS
2137 Fat City restr 232-0258
China Camp chinese restr 232-1367
W IVY ST ENDS
2200 Solar Air Faith Chapel
Solar Turbines Internat (Int Harvester Group) gas turbine & aerospace mfg 233-8241
2233 Super City Office Equipment 239-2139
Arnold's Interiors (Whse) 232-6531
2263 Barnicle Service Station gas sta 239-7134
Rentabug San Diego car rental 239-9017
W JUNIPER ST ENDS
2305 Cal-America Rent-A-Car 239-8088
2353 Airport Travelodge 232-8931
Harris Philip D
2401 Aztec Rent-A-Car 232-6117
2401b Applied Consulting & Technical Servs inc eng 233-0062
2405 Applied Consulting & Technical Servs Inc (Ofcs)
2407 Applied Consulting & Technical Servs Inc (Ofcs)
2431 Barbary Coast The cocktail lounge 233-7359
2489 American International Rent-A-Car Inc 234-8843
W LAUREL ST INTERSECTS
W LAUREL ST INTERSECTS
2521 Stivers Shell Service 233-4120
2535 Budget Rent-A-Car 207-3317
Sears Rent A Car 234-4466
2585 Pacific Car Rental 239-2111
2776 Port Of San Diego (Pkg Lot)
2830 Palm Street Auto Park (Self Serv)
W PALM ST ENDS
2828 Boom Trenchard's Flare Path restr 291-5556
2904 Bracomonte Enterprises Inc restr oprs 286-7704
Jimsair Aviation Services Inc sla & serv 296-7704
Windscock The restr 291-2931
2975 Douglas John acct 295-4171
2980 Lindbergh Field (Old Terminal) Dept Of Commerce (Nat Weather Serv) 297-2107
Fed Aviation Administration (Flight Serv Sta) 293-5285
3090 General Dynamics Corp-Elec Div (Plant)
3125 General Dynamics Corp Convair Division electronic div ofc
3165 San Diego Unified Port Dist 291-3900
W SASSAFRAS ST ENDS
3302 General Dynamics Corp Convair Aerospace Division Lindbergh field plant 277-8900
VINE ST ENDS
3526 Turk's Independent Mercedes uow auto sla & serv 298-7750
3565 Phillips Chatty A 295-0400
3567 Vacant
3569 Eads Rose 295-2873
ZIP CODE 92110
BEAN ST ENDS

CASTLE INSTANT MAINTENANCE INC

UPAS/COLUMBIA ST 1980

928

W UPAS ST--Contd

817*Rehm Danl E
820 Karlner Joel S @ 296-4101
822 Farrow Wm T @ 295-1072
845 Razzeto Suzanne M Mrs @
856 Jones Julie G Mrs @ 295-7994
GOLDFINCH ST INTERSECTS
HAWK ST INTERSECTS
FALCON ST INTERSECTS
KITE ST INTERSECTS
1307 Rundle Gerald G @ 298-3327
1315 Morrill Eug L
1350 Scaifdi Joseph @
UNION ST INTERSECTS

STATE ST INTERSECTS

1506 White Garry M
1508*Clark Marjorie A
1510 Maun Barbara Mrs 291-1207
1512 Vacant

COLUMBIA ST INTERSECTS
INDIA ST INTERSECTS
KRETTNER BLVD INTERSECTS
PACIFIC HWY INTERSECTS

UPLAND ST --FROM 1600 80TH ST EAST

ZIP CODE 92114

6032 No Return
6036 No Return
6038 Torres Ralph 264-5791
6040 Mac Laurin Michl @
6060 Owen Elizabeth L Mrs @

UPPER HILLSIDE DR (LA JOLLA) FROM 7300 ENCELLA DR EAST

ZIP CODE 92037

UPSHUR DR --FROM 3224 BARNETT AV NORTHWEST

ZIP CODE 92110

2602 Villanueva Ray
2604 Mallare Juanito T 223-4197
2608 Crouch Paul 224-5416
2612*Brown Earnest
2614 Banks Jackie D
2618*Leach Wm D 223-4293
2622*Thomas A D 223-1052
2624*Orton Don
2628 Bnenaffor Lito C 225-9777
2701 Grance Stanley
2702 La Grone Mike
2704*Parks Bruce 224-2168.
2705 Bailey Lett C
2707 Sites
2708*Minfor Herbert H 223-5867
2711 Vacant
2712*Brown Ernest D 226-0395
2714 Bellin Thos E 224-5005
2717 Le Baron Rodney S
2719 Deak
2719 Montaya John F 224-4601
2721*Salavera Anselmo T
2722 Sutton Nina B 225-0193
2724*Conolly John R
2725*Coran Jerry
2727 No Return
2728 Brisey Ron C 224-1180
2731 Vacant
2732*Holmes Steph K 223-2828
2734*Mayo Romeo
2735 Vacant
2737 Collins Jack
2738 Zorn Delbert R
2741 Mollas Pablo
2742 Hohnberger John H
2744 Laserna Oscar L
2745*Elope T V 223-9614
2747*Murray M
2748 No Return
2751 Jusay Francisco
2752*Lumpley David R 223-5140
2754 Lediero Francisco J Jr 222-4844
2758 No Return
2757 Vacant
2758 Martinez Antonio
2761 Inman Rick A 224-4888
2762 No Return
2764 No Return
2765 Londermilk Wm
2767 Rénour Michl 222-7762
2768 No Return
2772*Corpur Demetrio G
2774 Vacant
2778*Saluta Bernardo A
2782 Mayo Michl T
2784 Perez Mario
NORMAN SMITH DR ENDS
2788 Graham David L

2792*Dekie Bobby I 224-5176
2794 No Return
2798 Dantzier Thomas G 222-6844

UPSHUR ST --FROM 1050 SHAFTER ST WEST

ZIP CODE 92106

2828 Imperial House Apartments 222-1570
101 Cherrington Ralph E 222-7285
102*Rogers B Nicole 222-4096
103*Walker Sheridan J 222-4098
*Rogers Britt
104*Kaiser Pam
105*Cohen Andrea M 224-3916
107 Carlos Jos 225-9839
108 Standen Gilbert 224-5251
109 Baker Ray 224-6244
111*Nicholas Scott I 224-6935
112 Wood Forrest G 223-8308
113*Audreany Kari 223-4328
114 Henry Zeida
116 Grove Richd N 223-1224
118*Maruca Al
119*Harper Ann
120 Barrett Madaline W 223-4240
121 O'Brien Maurine 223-5854
122 Wilcox Dwight R 224-2504
123 Ward G E 222-4243
124 Meek Jack P 224-3823
125 Parkinson Tom 222-7223
126 Megntek Corp (Lounge)
201 Migdal Seymour 224-6855
202*True Phyllis F 224-3881
204 Vaughn Adele Mrs
205 Menkin Kathryn R 223-0451
207*Freeman Mona
208 Freeman Lois 224-0746
209 Clark W W
211 Kopp Gus W 222-7460
212*Szabinski Larri
213 Denjarleis Arnauda 226-2000
215 Schuele Christine L Mrs 224-6614
216 Hansen Rupert P 223-9749
218 Hansen Roland
219 Kennedy Laurie
220 Olson Lynde M 224-8190
221 Lynch Dennis
222*Ladd Lon H 223-5179
223*Williams Peggy
224 Levine Paul H 224-7787
225 Mc Mannus Charles W
226*Lizza Anthony 223-9717
A Feldt Richd
B*Saffaran Remmy

UPSTON CT --FROM 2600 ULRIC ST WEST IN A SEMI-CIRCLE

ZIP CODE 92111

6801 Green Saml @ 277-4377
6802 Laundry E Eug @ 277-4768
6811 Smith Richd L @ 277-3742
6812 Vacant
6821 Williamson Thos C @ 292-7371
6822 Vardin Mannel M @ 279-8724
6831*Tyerina Ruth
6832 No Return
ULRIC ST INTERSECTS

SCOTT ST INTERSECTS

2901*Rinsler Mark 224-1474
2901½ Mc Intyre David R
2903 Vacant
2903½ No Return
2905 Francisco John A
2911 No Return
2913 O'Brien Duane 222-9868
2913½ No Return
2918 Vacant
2919 Portuguese Historical Center non profit org 223-8893
2920*Cooper Rohd
2921 No Return
2922 Morales Elicon
2924*Vaigel Cary
2924½ Kramp H
2926*Montoya Jackie 222-3795
2926½ No Return
2927 Debraga Jessica D @ 223-6709
2928*Hoch J I 223-4906
2932 Hampson Kathleen @
2934 La Maison gifts 223-2934
2936 Hickethier Robt S 222-3367
2938 No Return
2940 Lunch Ruth J Mrs 222-6091
ROSECRANS ST INTERSECTS
3901 Duan's Photo Service photo developing 223-8970
3903 Cinnamon Art Center For Hair Design 226-1866

UTAH ST --FROM 2850 UPAS ST NORTH

ZIP CODE 92104

3404 Dobson Marion M Mrs @ 295-8766
3411 Anderson Aiden H @ 298-5921
3412 Matson Billie C Mrs @ 299-4048
3419 Goodale Lawrence E @ 299-2305
3419½ No Return
3422 Matson Earl J @ 299-3911
3429 Schwartz Milton J @
3430 Neyer Arth E @ 296-2816
3436*Linges Steph @ 296-4645
3437 Scrigley Bertram C @ 291-2571
3441 Vickers Terry
3443 Laundry W D 295-1254
3446 Oberg Gustav R @ 296-6781

MYRTLE AV INTERSECTS

3501 Birks Frank @
3502 Miles Winifred H Mrs @ 295-2920
3511 Shall N Jerdino @ 295-6571
3512 Hurd Donald E @ 297-1770
3519 Perkins Danl A @ 298-9634
3520 No Return
3526 Tuller Lula M Mrs @ 296-6573
3529 Henderson Paul C @ 296-1813
3534*Staples Scott 692-0245
3534½ Colwell E T
3536 No Return
3537 Adrian John G 295-8395
3543 Sundstrom Elan A Mrs @ 295-8663
3544 Vacant

CAPP ST INTERSECTS

3552 Ohre Vera R Mrs 298-2249
3553 No Return
3562 Garman Willie U gdnr @ 295-2466
3565 Conn C Lorene Mrs @ 295-8260
3566*Wilson Margie
3568½*Walsh Richd A 692-3252
3569 Dixon Wayne L @ 291-4607
3574*Neison L 298-5285
3575½*Snyder Bradley 299-0786
3577 Baker Dorothy M Mrs 295-4782
3579 Vacant
3580 Forsytho James F 295-2289
3583 Bulhard C M 291-6889
3582 Edwards Mary F Mrs @
3593 Alderson Wm F @ 296-3245

DWIGHT ST INTERSECTS

3605*Rodriguez Dwight
3610 Mc Mullen John S @ 295-5756
3611 Harrah James M
3619*Cashman Steven @
3620 Howard Victor D @ 291-0687
3628*Blair Wm Jr 294-9693
3629 Johnson Rosa Lee Myer @ 296-2845
3635 Brown E James @ 295-1755
3640 Stallcup Derald
3644 Perkins Don N @ 299-8838
3645 Villarreal Bernardo 297-6558
LANDIS ST INTERSECTS
3702 Graybill John 296-9622
3705 Sailors John 291-5493
3708 Hanscot Gladys B Mrs @ 296-6417
3710 No Return
3720 No Return
3721 Linville Edw @ 295-5295
3726*Kandall David C 299-8485
3727 Warren Harry B @ 295-7592
3728*Welkey Rick
3737 Golden Age Manor (Annex) 296-2737
3747 Golden Age Manor rest home 296-2737
Briley Janot 298-3316

GUNN ST INTERSECTS

3759 Stephens Howard 296-9413
3761 Couchman Geo O @ 298-5612
3765 Miller Karl Jr @
3770 Jefferson Children's Center day care 296-6983
Jefferson Elementary School 296-0116
3775 Vance Eileen B Mrs 295-4365
3785 Vacant
3787 Vacant
3789 Wittenberg Lester L real est broker 296-3111

3795 Silver Gate Masonic Temple (Meeting Hall) 295-4434
Armenath Social Club 295-4434
Anchor Court No 94 (Order Of Amaranth) 295-4434
Corinthian Chapter No 358 (OES) 295-4434
Galilean Shrine No 30 (White Shrine Of Jerusalem) 295-4434
Galilean Shrine Social Club 295-4434
Harbor Lights Chapter No 600 (OES) 295-4434
San Diego Assembly No 129 (Rain Bow Girls) 295-4434
San Diego Chapter No 264 (O E S) 295-4434

Silver Gate Lodge No 296 (F & A M) 295-4434
Southern Star Chapter No 96 (O E S) 295-4434
NORTH PARK WAY BEGINS
3805 Stern Leo D @ 291-6609
3807 Stern Bettye Figure Salon 296-2207
3815 Antique Refinishers 298-0864
Clear Light House stained glass mfg 298-0864
3815½ Kautzarek Hilda Mrs 298-0951

UNIVERSITY AV INTERSECTS

3927 North Park Lions Club 574-9652
Huffman Scott
OFFICE BUILDING
3930 Rooms
A Efran Company Real Estate 299-8700
A Cosa Robert Reaky 299-8700
B Indochinese Community Health & Education (class rooms)
E Collection Bureau Central collection agency 291-9884
F Indochinese Service Center soc serv organization 298-4634
H Royal Investigations & Petrol 299-6680
J Indochinese Community Health Educ non-profit organ 296-1396
K Pacific Asian Preventive Program bilingual program 293-3437

STREET CONTINUED

3933 Storm Earl D 297-9493
3936 Chihli Dorothy Mrs
3936½ Zenthoefor N 297-0608
3937 No Return
3938 Harper Beatrice C Mrs
3938½*Greenwood Ouida 295-8549
3940½*Nasser Mohsen 692-0687
3941 Thomas Realtors 296-6343
3945 Sullenberger Horace @ 2947 Vacant
3953 Scholz Arietta M Mrs @ 295-1067
Rear Bradman Ralph E
3956 Anderson Freda J @ 298-2870
3959 Howard R C 297-4387
3960 Popov Hermann C @ 295-9967
3960a Wilson Mulva Mrs @
3961 Beale John F
3961½ Rabe Gloria Mrs
3963 Pagel Loretta E 298-0211
3967 Vacant
3970 Apartments
1*Plunkett Paul 692-1462
2 No Return
3*Gladstone D @ 295-1165
4 Ice Thelma Mrs 291-0949
5 Harrell Betty Mrs
6 Spencer
7 Goldstein Abe
8 Taylor Bertha Mrs
9*Amberg Ron D 297-5987
3973 Mayo A
3976 Robbins Hazel E Mrs 295-4476
3977 Shelmet Fred D 299-7094
3978 Apartments
1 Neal Dorothy C Mrs 296-4291
2 Sobarna Mary J 299-9304
3 Lowenthal Arth 299-5072
4 Ristake Adolph
5 Smith M E Mrs 295-5694
6 Friend Edw 298-5593
7 Perkins Hugh M
8 Orr Sarah B Mrs 299-4197
3979 Irwin Max S 295-8242
3981 No Return
3983 No Return
3984 Apartments
1*Minto Mary E 299-0991
2 Roe Wm A 296-4758
3*Cotton Sims 293-6847
4 May
5*Balwin Donald A 295-0335
6 Lovelady R B
7 Washington Gladys M Mrs 296-3558
8 Hansen Grace I Mrs 296-1845
9 Hain Benj 299-4226
10 Hill Merrill L 296-0643
3985 Burnett Joseph D @ 296-6579
3993 Reg Charles 297-2185
3994 Musgrove Esther H Mrs 299-1180
LINCOLN AV INTERSECTS
4004 Apartments
1 Wick Albert W 295-2096
2 Mueller
11 Shamblin Dorothy Mrs 289-4063
12 Jones Floyd H 298-4827
4019 Apartments
1 Serna Frank 284-4820
2 Sternberg Bertha Mrs 284-9902
3 Ablowich Miriam A Mrs 283-0277
4 Maurer Sigfred 280-1667
5 No Return
6 Lewin Fred F 284-0462

VINE ST 1980

948

VILLANOVA AV--Contd
3209 Way Todd D @ 453-4919
3210 Jett Paul S @
3224 Kell Tenny J @ 453-7783
3225 Koppels Gerald E @ 453-3871
3237 Vacant
3238 Corner Preaton B @ 453-1921
3253*Simons J P G
3254 Santillon Sami B @ 453-5321
3269 Marburak Joseph @ 453-5296
3270 Estee Beverly L @ 453-1180
3285 Carlson Thos L
3286 Schwartz Melvin L 255-6271
3288 Bevis Barbara @ 452-0227
3299 Thiele Alan G @ 454-3651
3327 Agueda John S @ 453-2754
3328 Applestein Neil J @ 453-5839
3345 Mamber Malcolm @ 453-1246
3348 Wall Robt Jr @
3353 Lee John @
3366 Toth Verma F Mrs @ 453-7845
9385 Drake Dennis F @ 452-9820
3386 Latorno Gary M @ 453-5723
3430 Vacant
3431 Kuttler M D Jr @
3436 Brooks Neal @ 452-1951
3437 Fitzsimmons Jerry W @ 453-5787
3442 Kinnan Kenneth W @ 452-1876
3443 Vaux Richd W @ 453-2086
3448 Ensch J C @ 452-8037
3449 Spang Fredk W @ 453-5141
3515 Vowinkel Russell C @ 453-2376
3516 Whitehead Carolyn L Mrs @ 453-4126
3527 Craban Park J @ 453-1317
3528 Ruettgers John J @ 453-5823
3544 Shapiro Philip A @ 453-0830
3545 Iohn David R @ 453-7970
3564 Roitman Leo @ 453-2471
3565*Vaughn Florence B Mrs 453-1265
MERCER ST INTERSECTS
DENNISON ST INTERSECTS

VILLARRICA WAY --FROM 10700 PORTOBELO DR EAST
ZIP CODE 92124

VINCA WAY --FROM 980 61ST ST EAST THEN SOUTH

ZIP CODE 92114
1304*Yavienco Honrado L
1305 Raquel Ricardo @
51ST ST INTERSECTS
1311 Sivley Rhamphet 263-5715
1312 Nafarrete Arturo
1318 Hunt Barbara Mrs 263-3517
1320 Taganes Frankroll L @ 464-2795
1325 Sanzas B 263-7592
1330 No Return
1334*Yaida Richd 262-4756
1339 No Return
1347*Powell Michl @
1353 Fultz Dennis A @ 264-2380
1360 Atrero Wilfredo A @ 263-1844
1361*Afan Aristoteles D @ 263-9705
1369 Brown Mac @
1370*Matargo Rolands @
1378 Davis Clayton @
1380 Hingado Mario D 264-1768
1387*Waters Chuck
DIVISION ST INTERSECTS

VINCENTE WAY (LA JOLLA)--FROM 6400 ELECTRIC AV EAST

ZIP CODE 92037
404 No Return
405 Rudnick Philip @ 454-7459
411 Cohn Alda 454-1404
412 Vacant
419 Hansen Terry @ 454-7027
420 Brown Everette R @ 459-5638
427 Floyd Charles E 454-2882
428 Lanphier Thos G @ 454-0049
436 Vacant
DOWLING DR INTERSECTS
531 Lindberg Trish 454-8325
533*O'Conner Terry 459-5878

VINE CT --FROM 1/2 BLK WEST OF 750 S 29TH ST EAST
ZIP CODE 92113

VINE ST --FROM 3556 UNION ST WEST
ZIP CODE 92103
1405a Tyson Davld

1405b Jasseraud Vera D Mrs 297-0704
1409 1/2 Rust Lucile Mrs 295-4997
1412 Turner Toni A 286-7818
Balistreri Antoinette
1417 Vinyard Fred A @ 296-1134
1420 No Return
1421 Griswold Frank @ 295-4388
1430 Day Robt P @ 295-4884
1438 South Ruby C Mrs 295-5040
1440 Mc Cardie Harriet E Mrs 295-6109
1442 Poole Wm D 291-0194
1449 Wells Charlotte R Mrs @ 295-6561
STATE ST INTERSECTS
1501 Wilson Wm
1511*Coldweith Robt 299-3319
1512 Vacant
1515*Nuñez M
1516 Saville Loeta M Mrs @ 296-3099
1524 Carman Richd T 291-1155
1526*Robinson Robbie S 296-1383
COLUMBIA ST INTERSECTS
INDIA ST INTERSECTS

VINLEY PL --FROM 6200 DEL CERRO BLVD NORTH

ZIP CODE 92120
5725 Sterling Homer @ 583-0661
5738 Ghizer Sidney @ 583-0975
5739 Paesenheim Betty Mrs @ 582-0192
5750 Sundberg Richd H @ 287-2855
5755 Miles Charles
5762*Lenain L G 583-2642
5767 Eucoco James @
5774*Glimmer G R 265-2070
5785 Dagby Harry F @ 582-1838
LAMBDA DR INTERSECTS

VIOLA ST --FROM 1296 MORENA BLVD EAST

ZIP CODE 92110
GERTRUDE ST BEGINS
1308 Twombly Robt N @ 276-1956
1315 Torres Paul @ 276-7553
1320 Kildare Douglas @ 276-0478
1325 Hafner Richd @ 276-2537
1344 Michalek Stanley J @ 276-6346
1345 Abernethy Mary A Mrs @ 278-1614
LILLIAN ST INTERSECTS

VIOLET ST --FROM 1 BLK SOUTH OF 4182 SYCAMORE DR NORTH

ZIP CODE 92105
2502 Penbody Mary O Mrs @ 284-2940
2504 Williams Marianna
2507 Vacant
2510 Stevenson James M @ 283-5209
2511 Harvey Dolmar J @ 280-7677
2518 Harrigan H Juana P Mrs @
2519 Witek Fredk J @ 283-8477
2524 Garner Jerry @
2525 Jackson Paul D @ 284-2422
2530 George Ruth G Mrs @
2535 Gibbons Edw L 284-0197
2538 Oliver Weldon C @ 281-0237
2537*Harris Edw
2540 Wilkerson Roy C @ 282-8300
SYCAMORE DR INTERSECTS
2544 Degabardo Maria @ 282-7731
2547 Pasquill Donald Jr @
2548 Molly's Chikicare Center 281-2372.
Liberatore Molly L Mrs @ 281-2372
PEPPER DR INTERSECTS
2550 Bishop Susan J 282-4159
2552*Wilbourn James 282-1123
2554 Choate Jeffrey L
2556 Choate Robt J @
PEPPER DR INTERSECTS
2560 Choate Jeannette C Mrs @ 284-4597
2564 Barajas E C 280-4546
2568 Jacobs Marvin P @ 281-8909
2571 No Return
2572 Boyd Kenneth D 284-6577
2576 Lee Robt J @ 283-6705
2580 Bostwick S C 283-1436
2681 Beard A C 284-0864
2583 Mendez Angie M
2595 Azalea Recreation Center 284-9961
POPULAR ST BEGINS
2608 Precido Antonio F 281-7653
2614 Smith P A @ 281-6301
3622*Marriens Jon M 282-3928
2623 Wright James H @ 284-0427
2624 Jehuda Aug 282-5808
2625 No Return
2629 Mc Govern Daryl J 283-4186
2629*Orman G 282-3260
2631 No Return
2632 Von Goerlitz Eric @ 281-5200
2634 Tuckinberry Mary C Mrs
2697*Nordwick Thos

2639 Simmons Larry D 280-8398
2640 De Letto Dani N 563-5461
2643*Rabbit Doris M
2646 No Return
2648 Babes Montale III 284-4873
2649 Donahue Golden Mrs @ 282-0870
2650 Howard Robt 281-8619
2651 Vacant
2652*Kylekson Robt L 583-9656
2656 Tallakson Robt W 281-5861
2661 Garcia Gloria @ 284-7483
MANZANITA DR INTERSECTS
POPPY PL ENDS

VIRGINIA AV --FROM 6500 BLK ACORN ST NORTH

ZIP CODE 92116
4567 Durman Dwayne A @
4568 Karr Joseph R @ 583-6760
4575 Savel Joseph S @ 582-2600
4576 Seidel Geo A @ 583-3939
4583 Zane Stanley D @ 286-2529
4584 Grocila John J @
4591*Doyle Matthew J 265-1954
4592*Bailey Harley S @ 286-8808
4611 Menacsa Judith T Mrs @
4612 Smith Paul K
4617 Butler Klyde F @ 582-8422
4619 Zico Realty 582-3670
Zito Joseph J @ 582-3670
4623 Lzman Esther H Mrs @ 583-7153
4624 Little Gary D @ 286-0286
4629 Snavoyle Le Roy 582-3738
4630 Peale Marilyn S Mrs @ 583-3692
4635 Schaner Alex @ 582-7035
4641 Butler Frank O @ 662-7641

VIRGINIA WAY (LA JOLLA)--FROM 7600 GIRARD AV NORTHEAST

ZIP CODE 92037
TORREY PINES RD INTERSECTS
1087 Gietsz Heinz Autohaus Inc auto dir 454-7137
HERSCHEL AV INTERSECTS
1105 Barrett Murray J 459-5882
BLUEBIRD LA BEGINS
1120 Alkazin & Associates amway prods distr 454-7007
Alkazin Joseph J @ 454-7007
1121 Lumpkin Marie Mrs @ 454-2721
1127*Harris J P @ 459-7948
1138 Ward Jack O @
1142 Barea Zita V Mrs @ 454-7623
1143H AV INTERSECTS
1155 Peury Wilard W @ 454-4855
1156 Lindkvist Ann S Mrs @
1168 Fellows Wendy E Mrs @ 459-5589
1178 Vacant
1201*Furr Lola A Mrs @ 454-4062
1208 No Return
1211 Price Ernest H @ 459-1406
1214 Kytz Jack E @ 454-0478
1215 Farnsworth Paul A 459-2289
1221 Gallagher John J @ 454-1488
1224 Nicol Catherine E Realty 459-5073
Nicol Cath E Mrs @ 459-5073
1231 Avison Kath W Mrs @ 454-7891
1235 Freed Stan @ 459-0116
1236 Burke John S @
1245 Vacant
1246 Smith Francis M @ 459-5597
1252 Copley David C @
1257 Schaecklin Juerg W @ 459-8409
1260 No Return
1263 Thurmond Ethline E @ 454-7008
1271 Vacant
1271 1/2 Elam Diano 459-2874
1274 Sasse Lewis Rev @ 454-3620
1275 No Return
1285 Stewart Paula
1287 Stuart Paul S Jr @ 454-6971
1289 Andersen Henning O @ 454-1351
IVANHOE AV BEGINS
1301 Judge Roger @ 459-5184
1304 Christensen Linda J @
1314*Meek Matthew E @ 459-9415
1320 Munda John 454-0696
1321 Herring Clarke F @ 459-1475
1324 Keilers Charles F @ 459-6093
1325 Jordan John A @
1328*Dunn Russell M 954-3670
1335 Willbanks Robt H @ 459-2138
1338 Vacant
1345 Marsden Winifred H Mrs @ 459-7824
1350 Brown Russell B
1351 Booth Doris G Mrs @ 454-4006
1356 Gardner John S @ 454-2962
1358a Cundiff Helen S Mrs @ 454-7337
1361 Longenecker Marthas M Mrs @
1364 Helgott Robt H @ 459-9396
EXCHANGE PL INTERSECTS

1400 Weirather Hal E @ 459-8871
1401 Amantea Michl 459-4523
1411 Whitmore Candis @
1412 Hsieh Bernard P @ 459-6192
1414 Mac Intyre Neil R @ 454-5105
1419 De Bolt Wm L @ 459-8159
1436*Chambers Ada M 456-1425
1437 Mc Comb Guy R @ 459-8030
1440 Morris Robt @ 454-0379
1445 Rumsey Anne @ 454-4739
1453 Ferry Phyllis C @ 459-5927
1454 Fernham Geo C @ 459-5786
1461 Leo Geo R @ 454-1844
1478 Dumbley S Quimby @ 454-1742
PROSPECT PL INTERSECTS
1520*Anderson Hudnal 454-1063
1523 Vacant
1524 No Return
1528 Largent Frank D @ 459-0317
1532 Butler Michl J Jr @ 458-7932
1533a Barnes David @ 454-1481
1533b Heifetz R Mrs 459-2160
1550 Johnson John G @ 454-2083
1556 Kellaway Peter W @ 454-7900
1563 Cady Harlow G @ 454-2371

VIRGO PL --FROM 8350 ARJES RD NORTH

ZIP CODE 92426
11018 Flynn Wayne
11018 Teeter James L @ 271-4564
11026*Duckoch Chas J 578-6087
11034 Mc Cormick Michl D @ 271-4413
11042 Zeiss Robt A @ 271-4149
11050 Sakurazuchi Hideo @ 271-7788
11058 Obel Lyn 271-5483
11066 Mc Mottough John D
11074 Hall Melvin L 578-6034
11082 Conaler Marshall @ 271-6958
11090 Roberts Larry K @ 271-7979
11096*Sitter Chas @ 666-5485

VIRGO RD E --FROM 5600 REDWOOD ST NORTH

ZIP CODE 92105
3203 Wookcock Joel 287-5120
3204 Baxter Fred C @ 583-0942
3212 Darton Jay T @ 583-4897
3215 Nelson Jeanne Mrs @ 286-2685
3220 Hynes Robert R @ 583-9665
3225 Vacant
3230 Nilsson Bengt B @ 582-1552
3235 Russell James
3240 Aguilar Manuel E @ 583-5375
3245*Traber Ralph @
3250 Jewell Michael D @ 287-0630
3255 Phommayot Phai @ 286-1208
3260 Hardy Charles P @ 286-9230
3263 George J Donald @ 286-3751
3265 Fickering James P @ 286-9185
3270 Zavarian Martin
3275 Martell Wm F @
3281 Simo Ralph G @ 583-0942

VIRGO RD W --FROM 5550 REDWOOD ST NORTH

ZIP CODE 92105
3104 Krakauer Max F @ 582-5960
3112 Warren Ayton J @ 583-0103
3117 Sibrel James C @ 287-2045
3122 Brackett Robt F @
3131*Brown Kevin
3132 Aguayo Claude D @
3142*Pino Carlos F @ 582-2521
3149 Knapp Herman B @ 583-5094
3150 Wilke Royal M @ 583-5102
3203 Paredes Richd Jr @ 583-9277
3204 Palmer Jemes W @
3211*Brantletter Kent A @ 582-8024
3212*Ball Dale
3221 Moore Ronald B @
3222 No Return
3231 Jacobs Elmor F @ 583-2155
3233 Bershaw John L @ 583-8504
3241 No Return
3242 Jewell James E @ 583-9889
3280*Schneider Arth L @ 583-0318
3251 Fair Patricia Mrs @ 583-3082
3258 Wilker Charles H @ 286-9618
3261 Tills Gary M 583-3099
3264 Robinson Richd E @ 582-6123
3270 Van Auker Rose A Mrs @ 582-6506
3276 Burke J Harold @ 583-0486

VISION DR --FROM DEAD END WEST OF 6400 EASTER WAY EAST

ZIP CODE 92121
4340 Barnard Arthur @ 455-1761

711-710-7170 BOWERS REALTY 4310 MURKIN AV. 711-710-7170

WALNUT AVE W 1980

955

WALLSEY DR-Cont'd
6848 Middleton James H @ 461-5462
8858 Arnold Donald L @
6559 Faulkner Robie @ 463-5289

38 Channick J Michl phys 299-2350
38 Roland Arnold S phys 299-2350
38 Steinberg Steven M phys 299-2350

5112 Blumer Sara Mrs @ 583-5283
5115 Reynolds Robt C @ 583-6940
5127 Prebontick Joseph @
5138 Drexler Robt B @ 582-8919

WANDERMERE DR -FROM 6400
PASATIEMPO AV NORTHEAST
ZIP CODE 92120
6404 Hobei Frank E @ 583-8318

WALMAR LA -FROM 1180
PENDLETON ST EAST
ZIP CODE 92109
2900 No Return

4TH AV INTERSECTS
418 Beckman Frances G Mrs
420 Center For Creative Health 296-2178

WALTER AV -FROM 6705 WINONA
AV EAST
ZIP CODE 92120
4907 Puller Ruth S Mrs @ 287-3599
4908 Beyer Ronald D @ 286-1313

BELLE HAVEN DR INTERSECTS
6614 Nagai Ryuho @ 287-5377
6631 Togut Jack @
6632 Smith Lawrence K @
6649 Knetzer David

WALNUT AV -FROM 3600 1ST AV
EAST
ZIP CODE 92103
115 Apartments
A*Wilborn David

FRONT ST INTERSECTS
205 Larsen E R 286-7489
207 Franklin
211 Vacant

FRONT ST INTERSECTS
205 Larsen E R 286-7489
207 Franklin
211 Vacant

MIRA VISTA LA INTERSECTS
6702 Henry Patrick High School 286-7700
6711 Avvungato Charles @
6735 Parkby Richd A @ 461-9286

3D AV INTERSECTS
305 Schiefer Wm E dentist 291-1181
Lauer John C dentist 291-1181

HAWK ST INTERSECTS
1004 No Return
1012 No Return
1021 Robinson Charles W 296-2882

WALTON PL -FROM 451 OHIO ST
EAST
ZIP CODE 92116
3057 Agner John H @
3060 Asoro Giovanni
3061 No Return

WARBLER WAY (LA JOLLA)-FROM
1100 SKYLARK DR SOUTHWEST
ZIP CODE 92037
5580 Kennedy R Patk @ 459-2279
5591 Martin Fredk @ 459-3205

3D AV INTERSECTS
305 Schiefer Wm E dentist 291-1181
Lauer John C dentist 291-1181

STATE ST INTERSECTS
LARK ST INTERSECTS
UNION ST INTERSECTS
1617 Moos K O 296-0995

WANDA CT -FROM 8000 DELOR CT
NORTHWEST
ZIP CODE 92120
6050 Green Charles B @ 284-1261
6053 Kleio Larry R @ 282-0360

WARD RD -FROM 4600 CHEROKEE
AV EAST
ZIP CODE 92116
3716 Erwin Charles B @
3717 Boyd Thos E 283-1180

WALSH WAY -FROM 3300 DROVER
DR EAST
ZIP CODE 92115
5105 Nepi Wm @ 582-5976

WANDERMERE CT -FROM 6660 BLK
WANDERMERE DR SOUTH
ZIP CODE 92120
6660 Chartier Wilfred G @ 460-5239
6667 Cox Frank C @ 461-5481

SAN DIEGO, CA (92123)

MEMBER

3250 EL CAMINO BLVD. AT FREEWAY '80'S

TEL. 280-5015

CALIFORNIA ST 1975

CALEDONIA DR-Cont'd
4247 Garza Ray @ 279-6053
4250 Calderon Jose R @ 279-4854
4281*Boyer Richd 279-7331
4282*Weatherby James D
4271 Redmon Henry L @ 278-9768
4272 Hall Bily B @ 278-8432
4281*Phillips Geo
4282 Badilla Eva H Mrs @
4293 Holman James J Jr @ 277-0896
4294*Lennon Lawrence T 560-0649
ARMOUR ST INTERSECTS

CALGARY AV -FROM 6790 181
EDMONTON AV SOUTHWEST

ZIP CODE 92122
3903*Fulk Judson J 452-9876
3913 Kuhn Robt E @ 453-7484
3920 Murray Raymond P Rev @ 453-2270
3923 Cefalu Dominic V @ 453-0426
3930 Blank Richd K @ 453-3570
3931 Swanstrom Carl R @ 453-7703
3939 Smythe Edw W @
CALGARY DR BEGINS
3940 Vacant
3947 No Return
3952*Tena Tom @ 453-0430
3955*Field Richd E @ 452-1343
3964 De Turi Nicholas M @
3969 Botz Richo J @ 453-5124
3976 Tainer Lee B @ 453-6018
3977 Koepke Richd W @ 453-2305
3985 Wehner Larry P @ 453-6005
3986 Grim G John @ 453-1907
3996 Byrnes Henry F @ 453-5669
CALGARY CT BEGINS
4006 Keaton Irene F @ 453-1987
4018 Moy Fred T @
4025 Johnson Tracey C @ 453-5059
4030 Umbro Wm V @ 453-2408
4039 Gilhousen Klein S @ 453-4772
4042 Jones Warren D @
4053*Bridge Danl @
4054 Burgener Linda D Mrs @ 453-9843
4067 Brown M Hugh @ 453-9117
4068 Dube Marcel J @
4081*Mc Elven Junius @ 452-0460
4082 Thomas Homer H @ 452-0217
4095 Wise John W @ 453-8778
4096*Beebe Charles W 453-0156
RED DEER ST INTERSECTS
4105 Crowell Luther T @ 453-3787
4110 Porter Paul A Jr @ 453-4453
4113 Brown Roger W 453-8902
4118*Edens Stanley B @ 452-0216
4121 Sonnikaen Ronald G @ 453-6876

CALGARY CT BEGINS

4006 Keaton Irene F @ 453-1987
4018 Moy Fred T @
4025 Johnson Tracey C @ 453-5059
4030 Umbro Wm V @ 453-2408
4039 Gilhousen Klein S @ 453-4772
4042 Jones Warren D @
4053*Bridge Danl @
4054 Burgener Linda D Mrs @ 453-9843
4067 Brown M Hugh @ 453-9117
4068 Dube Marcel J @
4081*Mc Elven Junius @ 452-0460
4082 Thomas Homer H @ 452-0217
4095 Wise John W @ 453-8778
4096*Beebe Charles W 453-0156
RED DEER ST INTERSECTS
4105 Crowell Luther T @ 453-3787
4110 Porter Paul A Jr @ 453-4453
4113 Brown Roger W 453-8902
4118*Edens Stanley B @ 452-0216
4121 Sonnikaen Ronald G @ 453-6876

CALGARY CT -FROM 4000 181
CALGARY AV SOUTH IN A CUL DE SAC

ZIP CODE 92122
8204 No Return
8505*Lawrance David E @ 452-1004
8514 Sherman Paul @
8515 Melcher Carl W @ 453-5184
8524*Jones Wm H @ 453-9433
8525 Peller Sheldon R @ 453-5484

CALGARY DR -FROM 3839 181
CALGARY AV WEST IN A CUL DE SAC

ZIP CODE 92122

CALHOUN ST -FROM 4050 HARNEY ST NORTHWEST 25

ZIP CODE 92110
MASON ST INTERSECTS
2734 La Casa Bianca Dining Room
296-7359
2754 Bazaar Del Mundo shopping center
Antelline's Fruit Bazaar dried fruits & confections 291-4643
Bazaar Del Mundo Inc com'l leasing 296-3161
Candle Shop The
Casa De Pico Restaurant
Design Center Inc int dec 298-1141
Design Center The gift shop 296-3161
Estudio De Ceramica pottery mkrs & sls
Gallery The crafts paintings & sculpture
Gappetto's Child's Fantasy children's toys & clo 291-4606
Gifted Hand The gift shop 291-7982
Guatemalan Silversmiths hand wrought jewelry
La Panaderia baked gds 291-7662

Libros books 299-1199
Paja straw baskets & products
Plant Man The nurseryman 299-2027
Whirling Logs Trading Post indian arts & crafts
Sign Of The Dove The restr 299-7124
TAYLOR ST INTERSECTS
WALLACE ST INTERSECTS

CALICO CIR -FROM 8140 CALICO ST SOUTH A CUL DE SAC 272

ZIP CODE 92126
10420 Heyl Godfried 271-9439
10421*Johnson Oliver @ 566-8419
10426*Ford Craig M 271-8165
10429 Grear David W @ 271-5993
10432*Mornington Jack A @ 271-9081
10437 Porter Peter A @ 566-1511
10445 Clark David N @ 271-5614

CALICO CT -FROM DEAD END WEST OF 10460 MANILLA AV EAST 272

ZIP CODE 92126
7947 Alford Miles J @
7950 Jeffrey N V 566-1407
7955*Block Frank
7960 Serr Richd C @ 566-1815
7963 Reede Thos C 566-1543
7970*Mitter Deb K @ 271-0166
7971 Reimnitz Stewart N Rev @ 271-7088
7979*Wilson David G 566-6094
7980 Pearce James B @ 271-8341
7987 Malliet Richd E
7985 Thiese Ronald O 271-5287
MANILLA AV BEGINS
8003*Hoffman Louis A @ 271-5509
8011 Jakl Bernard J @ 271-8613
8019 Garcia Joe 566-1909
AMANTHA AV INTERSECTS
8020*Uriel Patk H @ 271-8064
8029 Smith Oscar F @ 271-4006
8030*Peterson David
8039 Grants Painting & Wallpapering contr 566-6838
Grant J Thos @ 566-1226
8040 Rug Doctor Rent carpet cln 568-2002
*Peel Duane T 566-1592
8049 Lee John R 271-6265
8050 Farnell Alwood T III
8059*Aguino Miguel P @ 271-5012
8060 Burmeister Bill 271-6730
8069*Grieshaber Gene A @ 566-8789
8070 Malcangio Dominic 271-8628
8079 Newbeck Michl E @ 271-7497
8080 Ortega Reynaldo J @ 566-3238
8089 Barham Ronald M @ 271-6695
8090 Carrillio Pam Mrs
8106 Westbrook John L @
8107 Balrd James F 568-1865
8112 Winter Gerard H @ 566-1185
8113 Castillo Manuel 271-1097
8118 Frazier Jerry M 566-1943
8119 Isagurra Rodolph R @ 566-1723
8124 Calister Craig D 271-0477
8125 Brinamede James L @ 271-0800
8130 Dring John E Jr @ 566-1351
8131 Flower Wm S 271-1277
8136 Wagner R Kent 566-4094
8137 Vacant

CALICO CIR BEGINS

8142 Schaad Michl E @
8148*Bouillier Emory 566-6944
8149*Biddick C J 566-6847
8154 Scratcher Gary L @ 271-5417
8155 Thomas J M 271-8972
8160 Kennedy Thos W 271-7424
8161*Martin Robt J @ 566-3367
8186 La Camera John F @ 271-4804
8187 Milkkan Randy J 566-1086
REAGAN RD INTERSECTS

CALIFA CT -FROM 8180 ROYAL GORGE DR NORTH 568

ZIP CODE 92120
8135 Zwiers Thos H @ 288-3937
8136 Hodgetts J Paik @ 585-2399
8148*Miner Robt S @ 287-6489
8149 Samoles Ralph W @ 287-4238
8150*Gillpatrick Hal
8161 Bullock Craig A @ 287-2441
8175 Froman David 582-7886
8176 Handley Darrol E @
8189 Taylor Jimmie W @ 287-3138
8190 Davidson Jack D @ 287-2331

CALIFORNIA ST -FROM 880 W MARKET ST NORTH 903

ZIP CODE 92101

BROADWAY ST INTERSECTS 902

2017 Vacant
2025 Patterson Harold L @ 298-5670
2026 Anthony Geo K @ 297-2187
2031 Sepanuk Edw T @ 296-7267
2037 Gibson Clarence E @ 298-6456
2044 Coons James C @
2045 Shaw Howard I Jr @
2049*Edwards John F 298-2769
2050 Sisten H Richd @ 291-7066
2051 Stewart L Alex @ 296-2060
2053*Richardson Lee 298-0428
2057 Taylor Harold 298-5707
2069 Gross Saml 298-1268
2070*Mogilner Geoffrey A 297-2161
2074 Milloway Thos C @ 295-4397
2075*Van Alstine Gregory C
2077*Baker John
2081 No Return
2088 Avanos Gary S 298-3553
2095*Charities Martin E P 296-4651
2097 Lepper Orville O @ 296-1106
2098*Herrera Jerry
BANDINI ST INTERSECTS
2105 Merritt Marial L Mrs @ 295-2649
2105½*Dier H A
2110 No Return
2111 Englishert Reba C Mrs @ 295-9347
2120 No Return
2121 Balrd Kathryn C Mrs @ 295-9192
2127*Garrigue Ned W 299-2892
2137*Collier Karl 295-9143
2143 Jarvis Richd H @ 295-3581
2146 Chowning Thos J @ 296-0422
2149 Nussey Herbert V 297-2136
Pettis Burges
2151 Shoven Arth B @ 296-7902
2152 Collier Harold M @ 296-1278
2161 Sherman Clarence H @ 296-3539
2164 Bualanecchi Mario J @ 296-6487
2169 Anderson Robt M Jr @ 295-7231
2171 Vacant
2174 Monaes Ralph G @ 296-3976
2178a Allaire David G @ 298-9683
2178b*Smithson Milly E 299-0185
2188 Davis Robt L @
2191 Haggin Douglas E 271-4338

DATE ST INTERSECTS 1

1824 Highland Plumbing & Heating contr 234-1122
1824½ Highland Plumbing & Heating (Whse)
1842*Avano Vincent 232-7000
1930*Van Slyke Joan
1932*Posey Harves
1940 Wood Bonale G 234-2526
GRAPE ST INTERSECTS
HAWTHORN ST INTERSECTS

IVY ST INTERSECTS 5

2272 Vacant
JUNIPER ST INTERSECTS
LAUREL ST INTERSECTS
2560 Owl Constructors rentals 232-6363
Owl Crane & Rigging rental 232-6363
MAPLE ST INTERSECTS
2801 Murphy Maurice C @ 295-3666
OLIVE ST INTERSECTS

PALM ST INTERSECTS 9

2929*Link Douglas 291-1392
2941 Solorzano Robt M @ 295-1978
W QUINCE ST INTERSECTS
3906*Minar Dean 291-7608
3915 Vacant
2018*Girard Barbara J Mrs 298-8918
3918*Johnson Diane 295-2369
REDWOOD ST INTERSECTS
SPRUCE ST INTERSECTS
SASSAFRAS ST INTERSECTS
THORN ST INTERSECTS
UPAS ST INTERSECTS
VINE ST INTERSECTS

WALNUT AV INTERSECTS 15

3836 Lithotype 298-8305
3650 Architectural Engineering Products Co shingle mfrs & distrs 295-3131
Perma-Shake Mfg Co Inc shingle mfrs & distrs 295-3131
BEAN ST ENDS
CHALMERS ST INTERSECTS
3553 Treck Photographic Inc equip & sup 297-4851
3596 Bateman T O Co chem mfg 295-0041
Charcoal Distributors 295-0041

WASHINGTON ST INTERSECTS 21

3871 Mada's Dog-Gon Shoppe poodle grooming
SUTHERLAND ST ENDS
3873 Family Village The auto court 298-8000
*Janssens Edw C @ 298-8000
3911 Vacant
3919*Szajna Cheryl A 299-7777
3922*Kraft Robbi 296-4039
3922½ Vacant
3926 Very Emily D Mrs @ 298-5977
3926½ Vacant
3929 Vacant
3931*Schaffer Gary 299-3954
3935 Anselm Edw B @ 296-3289
3938 Vacant
3942*Madick Carl 298-6986
3951 Vacant
3965*O'Higgins John J 295-3940
HENRY ST INTERSECTS

CALIFORNIA ST W -FROM HENRY ST WEST CONTINUATION OF CALIFORNIA ST 21

ZIP CODE 92110
1907 Huffman R Eug @ 295-1858
1917 Rickon Dorothy L Mrs @
1926 Melody John D @ 298-5377
1931 Hilgeman Roy A @ 295-7956
1948 Exarhos G Frank @ 296-1234
1955 Navarra Salvatore @ 298-1956
1958 Giacalone Joseph @ 296-6429
2005 Wotton Albert H @ 296-6700
2011*Kenny A B 298-3270

CALLE ABAJO -FROM VALLEY RD NORTH 1 WEST OF END OF REO DR 2

ZIP CODE 92139
3001 Twin Hills Youth Park 479-8711
CALLE AGUADULCE -FROM 6100 CUMBERLAND ST SOUTH 2

CALLE ABAJO -FROM VALLEY RD NORTH 1 WEST OF END OF REO DR 2

ZIP CODE 92114
2411 Rice Julia J Mrs @ 479-3743
2412 Barrios Gilbert @ 479-3948
2420 Hyatt Charles E @ 479-3853
2426 Kraft Herbert H @ 479-6287
2434 Russell Patk J @ 479-5195
2440 Callen Howard D @ 479-8898
CALLE TOCON BEGINS
2441 Skinner Geo R @ 479-4202
2448*Ronald Everett C @
2451 Knopp Edw P @ 479-6048
2452 Colvin Charles F @ 479-2905
2457 Martin Ben @ 479-1269
2458 Davis Charles R @ 479-2041
2463 Brewer Vernon M @
2466 Potter James L Jr @ 479-0613
2469 Cole Walter R Jr @ 479-2801
2472 Perks Thos W 479-8927
2478 Sala Peter C @ 479-5832
2484 Silva Geo P @
2490 Mills Kenneth @ 479-3904
2491 Gruber Hubert @ 479-2988
2504 Doughty Ellen V Mrs @ 479-2989
2505 Gregor Robt G @ 479-4996
2514 Mungar Arth V @ 479-5996
2524 Mansell's Painting & Decorating contr 479-5531
Mansell Sydney J @ 479-4449
2529 Dolmage Vern L @ 479-1863
2534 Vacant
2535 Ater Steven J 475-1813
2544 Eskridge Arth W @ 479-5518
2545 Haver Cleo G Mrs @ 479-5246
2553 Guyer Paul A @ 479-1864
2554 Moreno Francisco @ 479-8774
2563 Gist Bertha Mrs @ 479-2071
2573 No Return

CALLE ALTA (LA JOLLA) -FROM CALLE VAQUERO SOUTH 1 EAST OF CALLE CAMILLE 4

ZIP CODE 92037
1517 Weiss Leon D 272-5466
1527 Kapich Dvorin M @
1537 Nobil Myron K 273-6019

COLUMBIA ST 1975

COLUMBIA ST—Contd
 2818*Lee Laura H 299-8661
 2825 Bonham Harley L © 295-5380
 2827 Hervia Edwin L 298-9116
 2830 Music Teachers Assn Of California
 professional orgn 296-4467
 Fenwick E Bernice Mrs mus tchr
 296-4467
 2831*Khitz P
 2833 Vacant
 2835*Elsner J A
 2837*Anderson Lyle J 295-7515
 2840 Banda Maria Mrs © 295-1285
 2849 David Victor R © 295-2642
 2851*Vaughan David 299-5152
 2859a Colla Lila Mrs © 295-6311
 2859b Colla Salvatore S 295-9075
 2864 Morrison Ebel T Mrs © 295-7046
 2869 Pickens Margt L Mrs © 296-4225

PALM ST INTERSECTS
 2901 Bay State Apartments
 2903*Moran James 296-9034
 2906 Vacant
 2907 Waltham James
 2909*Michl Richd D 296-4245
 2911 Vacant
 2913 Pereira Frank 295-1124
 2915 Vacant
 2917 Echlin Henry M 297-2061
 2919 Lawrence J C 299-2056
 2919a Vacant
 2921*Holt Eliz 299-8849
 2930*Ray Diane 296-2913
 2940 Littlepage Russell S © 295-2770
 2950 Gardener Robt 299-0070
 2952 Vacant
 2954 Thomas Harry S ©
 2955a Mc Sparran Joseph L © 295-1884
 2955b*Felsenfeld Arnold 295-2264
 2964 Norris Jack 295-3726
 2965*Fleming Robt B
W QUINCE ST INTERSECTS
 3002 Vacant
 3005 Stuart Nany J 296-5134
 3007 Vacant
 3009 Michelson Norman W
 3011*Hayes G T 299-1821
 3013 De La Garza Rudolfo
 3015 Widdle Jean
 3017 Lennon Amina E 296-7606
 3019 Vacant
 3021*Knight Jerry M 291-6920
 3023 Stuart Virginia L 298-0212
 3025 Sykes James C ptr contr ©
 295-7785

3027*Straupe Vicki L 295-4502
 3028*Hadaway Mark A 296-2258
 3029*Bill Linda L 291-5758
 3030*Irwin Alex 299-8589
 3031 Vacant
 3032 Young Gail M Mrs 298-4803
 3033*Howlett Jill F 298-4863
 3034*Pontelandolfo Joseph M © 297-0815
 3035*Duncan D 298-2900
 3037 Vacant
 3038 Bascham Bruce 291-4171
 3040 Vacant
 3045 Mellusi James E © 295-7571
 3062*Singleton Louis J 291-9753
 3064*Edward S Mrs 296-6478
 3066 Cameron Georgia R Mrs 298-9494
 3068 Salgado Thos
 3217 Apartments
 1*Powell Susan
 2*O'Neil Maria E Mrs
 3*Olson David
 4*Isabel Will
 5 Vacant
 6*Maroun Marvin A 299-4993
 7*Thomas Larry 291-7224
 8 Vacant
 9*Savage Lynn
 10*Wade Kenneth S 291-7836
 11*Roger Edwin E © 298-8292
 12*Randall Bert A 299-0702
 13*Niederman Jerome 298-6438
 14*Spurlock Susan T 298-8039
 15*All Kenneth O 299-8569

REDWOOD ST INTERSECTS
 3225 Cheek Reginald C © 295-5335
 3225a*Crin Michl C 295-9835
 3225b*Christensen Adele 299-1765
 3229 Young Dorothy M Mrs 295-4353
 3241 Vacant
 3242 Cheek Lida C Mrs © 291-9704
 3243 Lyon Harold C © 295-4387
 3250 Apartments
 1 Wadley Jay L 291-2974
 2 Stadge Robt 296-1184
 3 Vacant
 4 Hutcherson Wm E 291-5829
 3260 Apartments
 1*Best Russell S 298-4437
 2*Armenta Irene M

3*Alex Roberta 296-1044
 4 Eberhardt S W 296-2050
SASSAFRAS ST INTERSECTS
 3310*Dalfio Denise
 3319 Triplett J K 298-8775
 3320 Adams Charles C 295-8906
 3321 Stowers Robt H © 295-3648
 3330 Miller Cath M Mrs © 295-7690
 3331 Hall Arteria R Mrs © 297-3041
 3332 Rockwell Leona B Mrs 298-0857
 3343 Binkert Richd L 296-2036
 3344 Stephens Frances A Mrs © 295-3404
 3345*Turner Ted 295-6417
 3347 Powell Cheves T
 3354 Clark C L
 3355*D'Alessio Henry 296-0779
 3356 Morris Charlotte R 295-4456
 3357 Ross Wm F 299-1186
 3364 Van Buren Freeda M Mrs 295-4906
 3366*Mauck Eric 296-0289
 3368 Bruno Vincenzo © 295-8294

TEORN ST INTERSECTS
 3428 Vacant
 3427 Guilbault Joseph E Jr 291-4747
 3429*Macomber Frank 296-0459
 3431*Mc Donald C S 291-3195
 3445 Essert Geo P ©
 3455 Crivello Vincent © 295-4848
 3465 Reed J Michl ©
 3465½ Vacant
 3467 Burnett Frances R Mrs 296-0205
UPAS ST INTERSECTS
 3504 Leggit Don R © 295-1625
 3505*Lowellyn Ronald B 291-5569
 3509 Linton Thos C 291-0715
 3510 Edwards Gladys M Mrs ©
 3510½ Tacman Michl 295-2591
 3512 Hoag Faith A Mrs 295-5433
 3512½ Dittrich John
 3513 Poschman Harry D 291-6036
 3515*Olson Kerry 296-0204
 3516 Rojas Cirilio G © 295-7036
 3517*Martinez Robt A 295-2077
 3518*Kemper Chy 295-9604
 3519 Hctz Susan C 299-7029
 3520 Brazil Robt
 3521 Vacant
 3523*Fleming S E 299-9106
 3525*Alferbach D D 295-4542
 3528 Baker Robt W © 296-3812
 3531 Vacant
 3535 Murphy D V 295-1156
 3538 Crisci Giuseppe © 296-2869
 3540*Gee Daland 299-4751
 3544a Vaught Robt J © 296-0645
 3544b Vacant

GLENWOOD ST INTERSECTS
 3600 Humphreya Blythe D 296-1192
 3602 Hansen A M 295-7559
 3604*Dickerson Douglas 298-8674
 3606*Smith Sydney 295-1215
 3608*Johnson Wm 296-1879
 3610*Sweeney Dennis
 3612*Gannon Celeste
 3614*Dougherty Linda 291-8375
 3616*Scott Penelope 296-4076
 3620 Schmidt Gladys J Mrs © 298-1431
 3621 Brown Lawrence H © 295-9666
 3622 Lucas Michl E 298-8623
 3627 Vacant
 3629 Vacant
 3633 Apartments
 A Brady John
 B Vacant
 C*Wilson Thos
 D*Wallace James Jr 291-2209
 E Vacant
 F Gonzalez Ralph
 3645*Selmanoff Sador
 Rear Eckert Richd © 291-0371
 3647 Vacant

CHAUMERS ST INTERSECTS
 3652 Vacant
 3655 Vacant
 3661*Simmons Jack 298-1879
 3662 Berger Elliott L ©
 3663*Goldman Paul ©
 3665 Gardner Ruby Mrs
 3667*Rejka Lee 293-3229
 3669 Wik Michl 291-1086
 3689½*Munes Michl M 297-1498
 3670 No Return
 3671 Ambler Robt B 291-4184
 3678 Vacant
 3680 Vacant
 3680½ Vacant
 3685*Erick Gail 295-1011
 3686 Vacant
 3687*Taylor Judith Mrs ©
 3688*Zigrang John T 299-8346
 3691 Montgomery A 298-0372
 3691½ Porterfield E C 298-5989
 3693*Johnson Dale
 3695 Vacant

WELBORN ST BEGINS
WINDER ST BEGINS
 3707 Moreno Manuel R 291-8562
 Rear Ehrsam Gary T 291-1726
 3708*Sandison Theresa 297-0941
 3710 Beamon Larry
 3712*Michael Jon 299-1577
 3716 Perez Victor
 3718*Finn Francine 298-1444
 3719 Bolas Owen 295-0650
 3720*Join D 291-4833
 3723 Crisci Vincent © 295-3872
 3730*Phillips Randy 295-7841
 3731 George Danl J 299-7784
 3736 Pierson Donald D 291-6844
 3744 Humphrey M J 291-4847
 3745 Buttner Richd J © 296-1647
 3746 Vacant
 3748*Brennan Herbert
ANDREWS ST INTERSECTS

COLUMBINE ST —FROM 2700
FAIRMOUNT AV NORTHWESTERLY
ZIP CODE 92105
 2690 Vacant
 2692 Schmiedel Jean Mrs 293-8352
 2694 Woodward Gary 281-8645
 2715 No Return
 2716 Geisler Ada L Mrs © 292-1011
 2719 Pacheco Tony L © 281-0235
 2723*Bailes Elmer L © 284-3775
 2723 Fisher Charles © 284-4258
 2727 Vacant
 2729 Dooley James J © 284-6744
 2733*Mc Collister Nellie O 280-8705
 2735 Cottrill Hubert 283-9924
OLIVE INTERSECTS
 2803 Frost Robt C 284-7596
 2805*Hillman Chris A 283-7459
 2807*Floyd Gary 282-1155
 2820*Navaz Cruz 281-5794
 2825*Harkins Gregory D 280-1044
 2828 Vacant
 2829 Copher Riley 283-7585
 2831*Ekstrom Kevin 284-0443
 2835 Childers Geo ©
 2837*Roefs Delmer
 2843 De Grenier Harvey O © 282-5203

PEPPER DR ENDS
 2903*Bertolino Frank R 281-1634
 2905*Provato Frank Jr 283-9948
 2909 Erickson Patricia A Mrs ©
 282-3450
 2917 Jackson James E
 2921 Johnston John W © 282-5172
 2925 Kernes Gladys Mrs 282-1496
 2927 No Return
 2927½*Parker Noel F
 2930 Pool Excavations contr 281-8813
 Kernes Frank J © 280-4968
 2933 Bibb Amy E Mrs © 283-3525
 2939 Mitchell Beatrix E Mrs © 284-7013
QUINCE ST INTERSECTS
 2954*Guire Michl 283-2901
POPLAR INTERSECTS
 3014 Krum Marie Mrs © 284-7805
 3019 Vlach Ruby J Mrs © 283-3429
 3020*Aguirre Richd © 283-0570
 3021*Southwick Dortha 280-4590
 3026 Chappell Geo C 280-1074
 3029 Norman Gay R © 283-8933
 3032 No Return
 3033 Adams Walter H ©
 3038 Hullet Fred G © 281-9588
 3041 Jones Margt V Mrs © 284-7643
 3042 Higgin Eisle L Mrs ©
 3044 Smithson Sylvania
MANZANITA DR INTERSECTS

COLUMBUS ST —FROM 10470
AMANTHA AV EAST
ZIP CODE 92126
 8019 Strog Thos V 566-3357
 8020 C Quinn Christopher D © 566-2648
 8029*Garen Clara M Mrs © 566-0412
 8030 Vacant
 8039*Abel W E 271-0738
 8040*Hertel Wilbur J © 566-2541
 8049 Rossetter Arth M © 566-0495
 8050 Kostic Frank J © 271-6141
 8059 Lawson Brent W 566-3317
 8060 Guarini Stephan M © 566-2679
 8069 Mc Clinton Recie 271-4522
 8070*Rebebo A Mrs 566-4454
 8078 Rooke Irene Mrs © 566-3740
 8080 Detmers Frank © 566-3921
 8089 Vacant
 8090 Bond Robt D © 566-2017
 8109 Palumbo Paul 566-3769
 8110 Romano Frank E 271-1391
 8115 Polanco Geo S © 271-0317
 8116 Leslie Charles T 566-3706

COLUMBIA ST INTERSECTS
ZIP CODE 92110
 YUMA ST INTERSECTS
FRAIRS RD BEGINS
 1101 Mc Daniel Lucille D © 296-6420
 1111*Sloan Richd J 291-7439
 1111½*Manson Richd A
 1121 Falls Joe D © 291-5851
 1128 Highburger Lois 295-4756
 1129 Fierro Leonard Jr © 298-2555
 1130*Geer Henry A Jr 299-9197
 1135 Guerrero Vincent T
 1145 Stockins James E Jr © 297-2473
RILEY ST INTERSECTS
 1205 Mission Valley Manor Apartments
 276-7575
 1*Rankin Curt
 2 Vacant
 3 Vacant
 4 No Return
 5*Mc Munn Richd 299-1336
 6 Scherer Gary D 299-3308
 7*Bradberry Allison 299-8940
 8*Fisher D V
 9*Woolery K
 10*Boechler Merle R 296-1135
 11*Burke K 291-4954
 12*Fleagle Cynthia 295-3241
 13*Ferguson Wayne 299-0856
 14*Belogna Sue
 15 Vacant
 16*Brayner Deborah
 17 Vacant
 18*Backer B 299-5443
 19*Taylor Ann
 20*Ida Arth 296-6567
 21 Vacant
 22*Schneider F
 1236*Blacklar David
 1238 Windler Wm H 291-5144
 1240*Oduyeni Felix
 1242 Ruddy Kevin J 291-0854
 1244*Armstrong Ed
 1245 Cain John ©
 1246 Downs Greg 295-8409
 1251 O'Hollaran Joyce E
 1258 No Return
 1259 La Fredo Patk J 296-3502
 1270*Rowley Wm
MILDRED ST INTERSECTS
 1307 Apartments
 1*Veste Thos 295-2855
 2*Soto T
 3*Robinson Patricia 299-3673
 4*Harwood J M 299-7107
 5*Inverson Earnest
 6*Ryan Ann R 295-4361
 7*Romero James 298-1937
 8 Vacant
 9*Hewitt R F 298-2998
 10*Schers P J 295-7550
 11 No Return
 12*Moddel N

8121 Milhausen Richard H © 271-1017
 8122 Wagner Donald A © 566-4436
 8127 Alvarez Rafael © 271-7376
 8128 Hollenbeck Gordon © 488-5579
 8133 Higgs Ronald L © 566-1878
 8134 Marshall Wm L © 271-6822
 8139 Sanidad Oscar D © 271-6938
 8140 Lawless John E 566-8236
 8145 Jackson David J © 566-1405
 8146 Macospac Hector O © 566-2457
 8151 Bondoc Rolando Q 271-9653
 8152 Malley Raymond E © 566-2059
 8157*Smith Ray C ©
REAGAN RD INTERSECTS

COLUSA ST —FROM 2 SOUTH OF
8600 GAINES ST NORTH
ZIP CODE 92110
 YUMA ST INTERSECTS
FRAIRS RD BEGINS
 1101 Mc Daniel Lucille D © 296-6420
 1111*Sloan Richd J 291-7439
 1111½*Manson Richd A
 1121 Falls Joe D © 291-5851
 1128 Highburger Lois 295-4756
 1129 Fierro Leonard Jr © 298-2555
 1130*Geer Henry A Jr 299-9197
 1135 Guerrero Vincent T
 1145 Stockins James E Jr © 297-2473
RILEY ST INTERSECTS
 1205 Mission Valley Manor Apartments
 276-7575
 1*Rankin Curt
 2 Vacant
 3 Vacant
 4 No Return
 5*Mc Munn Richd 299-1336
 6 Scherer Gary D 299-3308
 7*Bradberry Allison 299-8940
 8*Fisher D V
 9*Woolery K
 10*Boechler Merle R 296-1135
 11*Burke K 291-4954
 12*Fleagle Cynthia 295-3241
 13*Ferguson Wayne 299-0856
 14*Belogna Sue
 15 Vacant
 16*Brayner Deborah
 17 Vacant
 18*Backer B 299-5443
 19*Taylor Ann
 20*Ida Arth 296-6567
 21 Vacant
 22*Schneider F
 1236*Blacklar David
 1238 Windler Wm H 291-5144
 1240*Oduyeni Felix
 1242 Ruddy Kevin J 291-0854
 1244*Armstrong Ed
 1245 Cain John ©
 1246 Downs Greg 295-8409
 1251 O'Hollaran Joyce E
 1258 No Return
 1259 La Fredo Patk J 296-3502
 1270*Rowley Wm
MILDRED ST INTERSECTS
 1307 Apartments
 1*Veste Thos 295-2855
 2*Soto T
 3*Robinson Patricia 299-3673
 4*Harwood J M 299-7107
 5*Inverson Earnest
 6*Ryan Ann R 295-4361
 7*Romero James 298-1937
 8 Vacant
 9*Hewitt R F 298-2998
 10*Schers P J 295-7550
 11 No Return
 12*Moddel N

COMBE WAY —FROM 8435
EDMONTON AV EAST
ZIP CODE 92122
 4130 Martin Frank R Jr © 453-7644
 4138 Whyte Herbert E © 453-8707
 4145 Grinnell Don P © 453-8778
 4146 Gibbs E M Mrs 453-7456
 4152 Thielen Earl V Jr © 453-8499
 4155 Peasars Victoria A Mrs © 453-6789
 4160 Bauer Lawrence C © 453-8974
 4166 Chambers Jack R © 453-2627
 4171 Cunningham Michl W © 453-9487
 4172 Tully Dermott M © 453-6391
 4178*Thomas Rudy
 4178 Larson Gerald G 453-3994
 4184 Raines Robt B 453-7444
 4185 Uhrl Richd V © 453-6899
 4190 Sharkoff Donald © 453-7064
 4191 Levine Saml © 453-7256
 4194 Schmeiser Victor E © 453-7740
 4198 Cunningham Jacob H © 453-6418
 4199 Murray James M © 453-1225

GLENWOOD DR 1975

GLENWOOD ST-Contd
6827 Rohrer Harry W @ 582-9381
6833 Hinkley F Clara @ 583-5995
6839 Finney Ethel Mrs
6845 King James C @ 286-8210
6851 West James T @ 582-7246
6859 Jackson Roland E @ 583-9352
6863 Schultz Frank K @ 583-4471
6868 Hansen Alice M 583-0863
IRWIN AV INTERSECTS
6869 Mitchell Robt A @ 286-0940
6870 Flanagan Theo J business consultant
@ 583-3980
6875 Bjornstad Jack 287-3247
6881 Fin's Well Inc contr-bldggenl
583-6930
Firdahl Carrol W @ 583-6200
LEWISON AV INTERSECTS
6885 Edwards Constance L Mrs @
583-3744
6886 Buck Wm J @ 582-4772
6889 Clara Manuel @ 287-3163
6892 Coleman Joseph P @
6893 Hendrick Brian S @ 582-4092
6897 Grm Benj R
6898 Olive Wm T @ 582-9065
PRINCESS VIEW DR INTERSECTS

6902 Herdin Wilbur G @ 582-4034
6903 Fernandes Richd E @ 583-6065
6908 Chapman Wm F @ 286-7476
6909 Hillis Robt F @
6914 Beckman Keith A @ 583-4925
6915 Walford John D @ 583-0656
6922 Steut Robt D @ 582-9142
6923 Morley David G @ 583-1576
6926 Peterson Earl W @ 583-2429
6929 Hoff Edwin J print @ 583-1588
6936 Brooks Martin P @ 583-0891
6942 Dobay Carl F @ 287-1861
6945 Carriff Steph N @ 583-9072
6948 Mabee Dorothy H Mrs @ 583-4574
6954 Nosbong Donald V @ 582-9539
6955 Macias Joe R @ 286-0063
6960 Hasenauer Edw J @ 583-3067
6965 Lakin Wm H @ 582-9198
6966 Vacant
HILLSBORO INTERSECTS
6975 Worden Wallace J @ 582-8974
COTTAGE AV INTERSECTS
7001 Stewart Robt W @ 583-7148
7004 Gallik Andrew @
7012 Mac Innes Ian C @ 286-3390
7020 Barra Robert G @
7028 Denny Richd G @
7036 Vacant
7044 Benyr Walton R @ 582-9270
7052 Georgin Nicholas E @ 583-1017
DUNDEE AV BEGINS
7060 Sumnar James W @
7068 Vacant
7074 No Return
7082 Lawrence Earl V @ 582-9659
7090 Donavan Wm E @ 582-9135
ELGIN ST BEGINS
7106 Schilling Gordon L @ 583-9303
7116 Armantrout John W @ 583-0784
7126 Donaldson Robt J @ 582-7965
7136 Neah Elton E @ 582-7623
7146 Schabek Robt H @ 582-1828
FORBES AV BEGINS
7156 Gagnon Rene J @ 583-5564
7166 Cyr Geo W @
7178 Stines Joyce P 287-2567
7186 Miller Richd @

GLENWOOD LA (LA JOLLA)-FROM
8840 DUNAWAY DR WEST THEN
NORTH
ZIP CODE 92037
8856 Yang Ling @
8875 Schranke Paul @ 453-2474
8887 No Return
GLENWICK FL BEGINS
8658 Clark Shirley B 453-9429
8698 Brody Stuart 453-1934
8703 Christophers Martour @ 453-1860
8704 Roberts Verl E @ 453-0112
8720 Harman Robt J @ 453-5212
8721 Rogers Florence C Mrs @ 453-8847
8735 Banks Peter M @ 453-3934
8736 Barnett Charles R @ 453-2096
8750 Templeton Florence M Mrs @
453-2822
8751 D'Andrea Roy G @ 453-7793
8765 Becker Michl A @ 453-6682
BORDEAUX AV INTERSECTS

GLENWICK PL (LA JOLLA)-FROM
8687 GLENWICK LA WEST
ZIP CODE 92037
2711 Arrhenius Gustaf G @ 453-2255
2712A Viterbi Andrew J @ 453-8198
2721 Bagley Marie L Mrs @ 453-0365
2722 Hilliard Steven A @ 453-6299
2731 Dunns Edw A @ 453-9741
2734 Preston Patricia A Mrs @ 453-4187

GLENWOOD DR -FROM 3870 UNION
ST WEST
ZIP CODE 92103
1504 White Patricia 291-1871
1507 Daly Frank A Mrs @ 292-7323
1507 Johnson David 291-7757
1509 Berg Richd P
1511 Vacant
1512 Huff Michl @ 293-4966

1512 Vacant
1519 Butcher Melvin H @ 293-6129
1525 Bridge Runctw W Mrs @ 293-9957
1530 Mills D B
1531 Gfroerer Helen K @ 293-3629
1533 Van Hoose Steven Q 293-1635
1535 Davis Marie E @ 293-5067
1537 Vacant
STATE ST INTERSECTS
1602 Bender John A @ 293-8639
1610 Hart Esther M Mrs @ 293-6170
1616 Brackett Robt 293-5943
1616 1/2 Dryer Jassio Mrs
1620 Rutter Jim V 291-2149
1624 Benschey Douglas 291-8893
1625 Vacant
1628 Arraga Danl
1628 1/2 Vacant
1630 Repine Claude E 293-7966
1630 1/2 Parha Terry 293-2831
1632 Gerber Jan 293-3049
1634 Nemet Ed 293-0710
1639 Chappata Karen 291-3961
1702 Vacant
1704 Kemp John 293-3068
1705 Havens James L 291-4267
1706 Overy Roy C 291-6613
1709 Eimore Geo S 293-8185
1710 Busko Steve 293-7517
1711 Horner Henry H 293-4861
1712 No Return
1716 Vacant
1716 Erwin Earl J 293-3359
1718 1/2 Vacant

187
GLIDDEN CT -FROM 6608 GLIDDEN
ST NORTH
ZIP CODE 92111
1720 Braunst Robt 565-8950
1721 Mc Kee Charles C @ 279-7428
1745 Ambrozak Edw @ 277-4541
1741 Deaso Manuel C @ 277-5082
1760 Blandie Romulo B @ 277-1865
1761 Flaminio Giovanni 279-8654

137
GLIDDEN ST -FROM 1 WEST OF
1700 CORSICA ST EAST
ZIP CODE 92111
6309 Williams Elsa A Mrs @ 278-3607
6323 Horton Paul @ 278-5362
6337 Rauchs Arch J @ 277-7966
6341 Charlier Jim 278-6328
6365 Dickinson Wayne E @ 279-3681
6401 Silva Leonard R @ 279-5483
6415 Clegg David C 279-0741
6429 Norris Abbie Mrs
6443 Amy Mary L @ 277-4556
6467 Pickles Vernon S @ 277-9696
6471 Israel Charles L @ 277-2966
7032A ST INTERSECTS
6519 Wilder Geo M @ 277-4498
6524 Santa Cruz Joseph T @ 278-9630
6527 Sales Alex 580-1902
6538 Jorro James C @ 277-6545
6539 Crocker Andrew J @ 278-6941
6552 Vacant
6559 Oak Jaric @ 560-5754
6566 Reddald Lawrence R @ 277-5735
6577 Valdez Randall F @ 293-9859
GLIDDEN CT INTERSECTS
6603 Tangeo Marino 565-7110
6615 Nalty Gerald W @ 292-5066
6628 Carawell Henschel R
6629 Leonard K @ 277-9277
6640 Vacant
6643 Ogel Kanuko @ 578-0587
6657 Page Wm M @ 279-7361
ALCALA KNOLLS DR INTERSECTS
6702 Bobek Louis @ 279-7811
6712 Villa Vista Apartments 279-4871
1 Sweeney Colleen 292-0827
2 Vacant
3 Peter Newton
4 Eric Leon
5 Vacant
6 Vacant
7 Link Dean 565-0344
8 Porter Louisa 560-9466
9 Sullivan Frances 279-8524
10 Findlay Margt Mrs 560-3294
11 Homes Dalores
12 Conhill Henry 278-3361
6713 Apartments
1 Moody Andrew J 565-1304
2 Loftin Jim 565-7746
3 Tate Wm 565-1840
4 Yoell Ralph A 565-7188
5 Carrier Charles L 565-7743
6 Burnham Chris 569-8661
7 Head Gordon E 278-4063
8 Dingus Theresa Mrs 565-6711
9 Weirmeister Arth J Jr 560-6737
10 Tarnes Mary W Mrs
11 Glaniano Joe 560-1122
12 Vacant
6730 Apartments
1 Vacant
2 Brooks G 278-5741
3 Male Phillip C 565-2458
4 Vacant
5 Paddyford Robt K 279-7021
6 Hamilton Thos F 560-0527
6731 Apartments
1 Moore Hugh H 565-0312
2 Kang Brian 277-3900
3 Sawyer John M 560-0731
4 Stanberry Michl R 560-0657
5 Blais Raymond C 278-1479
6 Brooks Joanne 279-4197
7 Annundson Bob 560-9171

5 Thompson Katie 278-3362
6742 Apartments
1 Bethel Bill 279-0281
2 Capp Edw G 277-7758
3 Farren Bernice 277-3588
4 Morson Wm 565-2287
5 Vacant
6 Hawksl Clair 279-4063
7 Cobb P J 560-9932
8 Hogun M E 279-4970
9 Vacant
10 Suppa Jerry M 560-5249
11 Gonzalez David C 565-9266
12 Wright Stephanie A 277-6367
6783 Apartments
1 Rose Wm 565-2963
2 Ping John 560-0995
3 Leeper Kevin R 560-5648
4 Munoz Jerry L
5 Hockay Virginia Mrs 278-2132
6 Wright John N 565-7160
7 Robinette Betty Mrs 560-9700
8 White Robt G 279-3307
9 Vacant
10 Kiewit Elaine 565-9649
11 Brethover Leonard D 278-0250
12 Johnson Dave 565-0085
13 Hutchinson J Kenneth 277-6673
14 Giant A J 279-8889
15 Vacant
16 Trake Marvin 277-1352
6784 Apartments
1 Butler Clifton L III 560-6937
2 Gartner Harold R 565-0419
3 Gallagher Larry J 565-4038
4 Shenley Paul 278-8049
5 Kuhnly D B 292-0143
6 De Walde John 560-8323
6785 Apartments
1 Weaver Lance K 453-9447
2 Vacant
3 Raven L 560-6676
4 Statter E 279-3672
5 Gilmer Stephen P 278-7578
6 Morton C C 560-9908
7 Vacant
8 Wagh Thos M 292-8626
9 No Return
10 Olin Paul M 560-4717
11 Nold Allan J 292-9368
12 Davidson Wm L 560-9408
6788 Apartments
1 Mc Neece John H 279-8787
2 Salter Marc A 279-9298
3 Tyree Bill M 565-7690
4 Vacant
5 Vacant
6 Roy Richd 278-9678
7 Vacant
8 Vacant
6789 Villa Vista Apts (Ofc) 279-4871

LINDA VISTA RD INTERSECTS
BURTON ST INTERSECTS
6821 Rogi Michl @
6822 Sealas David M 560-1770
6831 Naranjo Mariano @ 279-2091
6832 Tignor Fred L @ 277-6098
6842 Garcia Andrew @ 278-6995
6848 Waddell Robt L @ 278-2584
6853 Winick Carl J @ 277-4381
6855 Free Will Missionary Baptist Church
278-4650
COOLIDGE ST INTERSECTS
6911 Lara Narciso E @ 277-1611
6911 1/2 Licht Gary
6921 Ortiz Ralph @ 277-9880
6922 Gonzales Alfonso @ 277-4911
6919 Wade Alan H 560-9631
6938 Schwartz Albert C @ 277-4932
6941 Williams James A @ 565-9197
6942 Sjoka Beulah Mrs @
6951 Krumwold D Bruce 279-691A
6952 Wade Edw @ 565-0812
6961 Serrac Wm @ 277-3089
6962 Hoppa Germain E @
6971 Viennos Maria Mrs 292-4267
6973 Ford Claudette L 560-7714
6981 Vacant
6982 Wilson La Verna K @ 277-2390
6990 Braunton Dave
6990 1/2 Bertagna Albert A
6991 Vacant
6992 Young Wanda Mrs @ 277-5661
6993 Campbell Delmer E @
6993 1/2 Bois Lynnda

57
6998 Johnson Mary Mrs 264-4772
6998 Vacant
6998 Liggins Evelyn B Mrs 264-9384
6998 Smith Anna R Mrs
6998 Davis Mary Mrs
6998 No Return
6998 Washington Maa Mrs 262-4785
6998 Green S L 262-3068
6998 No Return
6998 Vacant
6998 Daugherty Ann Mrs
6998 Vacant
6998 Green Joyce Mrs
6998 Vacant
6998 Martinez Maria Mrs
6998 Vacant
6998 Sturm Henry L 263-1542
6998 Vacant
6998 Apartments
6998 1 Vacant
6998 Blake Narvell 264-7183
6998 Lee Jeanette 264-0899
6998 Liphaw Gail 263-7920
6998 Knox Michl 262-9154
6998 Fraser Brenda E 264-1863
6998 Vacant
6998 OCEAN VIEW BLVD INTERSECTS

6795 Apartments
1 Baker Lantae K 453-9447
2 Vacant
3 Raven L 560-6676
4 Statter E 279-3672
5 Gilmer Stephen P 278-7578
6 Morton C C 560-9908
7 Vacant
8 Wagh Thos M 292-8626
9 No Return
10 Olin Paul M 560-4717
11 Nold Allan J 292-9368
12 Davidson Wm L 560-9408
6798 Apartments
1 Mc Neece John H 279-8787
2 Salter Marc A 279-9298
3 Tyree Bill M 565-7690
4 Vacant
5 Vacant
6 Roy Richd 278-9678
7 Vacant
8 Vacant
6799 Villa Vista Apts (Ofc) 279-4871

6998 Johnson Mary Mrs 264-4772
6998 Vacant
6998 Liggins Evelyn B Mrs 264-9384
6998 Smith Anna R Mrs
6998 Davis Mary Mrs
6998 No Return
6998 Washington Maa Mrs 262-4785
6998 Green S L 262-3068
6998 No Return
6998 Vacant
6998 Daugherty Ann Mrs
6998 Vacant
6998 Green Joyce Mrs
6998 Vacant
6998 Martinez Maria Mrs
6998 Vacant
6998 Sturm Henry L 263-1542
6998 Vacant
6998 Apartments
6998 1 Vacant
6998 Blake Narvell 264-7183
6998 Lee Jeanette 264-0899
6998 Liphaw Gail 263-7920
6998 Knox Michl 262-9154
6998 Fraser Brenda E 264-1863
6998 Vacant
6998 OCEAN VIEW BLVD INTERSECTS

1211 Byers Napoleon @
1220 King Florine Mrs @
1821 Vacant
1830 Carter Sylvester @ 264-1316
1231 Hicks Wm 262-2349

6998 GLORIA LAKE AV -FROM 6306
TWIN LAKE DR EAST
ZIP CODE 92119
7713 Gasaway Millard H @ 465-2866
7723 Connelly Alf Jr @ 465-2825
7739 Munger Geo C 463-5873
7743 Ralls Robt B @
7759 Kinglake Frank F Jr @ 465-2002
7763 Bernoski Richd C @ 465-6126
7773 Daniels Richd P @
7783 Robinson Michl G 465-1394
7811 Gemesier Charles A 268-0153
7821 Moore John R @ 461-5815
7831 Mc Nully Francis J @ 460-8747
7841 Sednick Glenn H @ 463-7761
7851 Du Bose Billy L @
7854 Bompenaiero Lucy M Mrs 468-2292
7861 Kunta Richd L @
7864 No Return
7871 Schneider A Mrs @ 462-4406
7874 Vacant
7881 Mayberry Raymond @ 465-0390
7894 Mizuno Kazumi @ 465-7690

6998 GORBAT AV -FROM 5806 MOFF ST
EAST
ZIP CODE 92122
2604 Politze Joseph J @
2616 Vacant
2626 Parke Terrence Joe @ 453-1241
2628 Wieske Eliz L Mrs @ 453-3676
2636 Eizon Michl J 453-1837
2640 Theilacker Geo R
2645 Sivert Robt C @ 453-0849
2652 No Return
2657 Trembley John P @
2664 Vacant
2671 Gerber Russell
2676 Prince Elza M Mrs @ 453-4042
2681 No Return
2702 Coad Michl J @ 453-5846
2707 Vacant
2712 Colwell Joseph F @ 453-4024
2717 Taylor Merton A @ 453-0428
2722 No Return
2729 Lopez Jesse @ 453-8596
2736 Warner Wm C Jr @ 453-6746
2742 Pritz Walter J Jr 453-9716
2743 Turley Robt R @
2752 Lowenstein Carl D @ 453-1069
2753 Orcutt John A @ 453-3912
2762 O'Hellan Thos W @ 453-3903
2763 Ryan James B @ 452-6154
2772 Snell Doris B @ 453-1103
2776 No Return
LAMAR ST INTERSECTS
2806 Huston Wm A @ 453-5364
2813 Davis Vicky C Mrs @ 453-8240
2816 Thoms Nancy Mrs @ 453-4096
2823 Forester Robt @ 453-4839
2826 Fahett G Nicholas @ 453-3909
2833 Laing John R @ 453-3996
2836 Hilliard Gary @
2843 Anderson Barry C @ 453-5686
2846 Vacant
2856 Vacant
2866 Schmidt Richd H @
HABER ST INTERSECTS
2901 Belew Marshall H @ 452-6476
2906 Bernstein Robt L @ 452-1844
2908 Syvarth Richd J @
2914 Welch Paul W @ 453-4189
2917 Kleinhub Fred @ 453-5836
2922 Feldman Danl P @ 452-8686
2926 Wenderlich Stanley T @ 453-6861
2930 Steger Wilfred C @ 453-1608
2933 Hamel Albert A @ 453-6297
2938 Larsen Per O @ 453-3846
2942 Sutton Edw G @ 453-6662
LORD CECIL ST INTERSECTS
STRESEMANN ST INTERSECTS

6998 GLORIA ST -FROM 4877 FRANKLIN
AV SOUTH
ZIP CODE 92115
365 Carter Man L @ 262-1349
367 Zarras Marco A @ 264-4376
319 Gross John D @ 264-3755
314 Holmes Sandra E Mrs 264-8336
321 Vacant
322 Vacant
324 Pressley Wm @ 262-8434
325 Quince Vito @ 264-4261
326 Pressley Thos A
328 Vacant
332 Jones Ralph @ 264-8395
333 Vacant
340 Bennett Julia Mrs 262-8226
342 Williams Saml @ 264-0776
343A Jones Clem
344 Munoz Alice
346 Byrd Janet
348 Blankenship Johnnie W 262-0417
350 Waters Edw 264-2287
352 Kyle Robt L 264-9111
356 Gates Eric E

INDIA ST 1975

INDIA ST-Cont'd

- 1 Vacant
- 2 Powell A Lee 291-6884
- 3 Warner Mary 299-7322
- 4 Johansson George L
- 2971 Persona-Matic Letter Service 291-4261
- W QUINCE ST INTERSECTS
- 3009 Silva Ernest P @ 296-6640
- 3038 Hammond Machinery & Supply Co 298-6155
- 3051 Long Greg M 299-3928
- 3053 Vacant
- REDWOOD ST INTERSECTS
- 3103 Complete Rug & Upholstery Cleaners 296-0153
- Raffes's Complete Carpet 296-0153
- 3129 Porter Irene A Mrs @
- 3141 Schmetzle Wm F 299-2257
- 3153 Pale Horse The antique dr
- 3153 Haskola David M 291-0495
- 3167 Economphotos Of San Diego custom photog 291-5128

- 3175 Swing The cocktail lounge 296-6789
- SPRUCE ST INTERSECTS
- 3211 Import Tire Co dealers & repr 291-9666
- Midtown Automotive auto repr 291-6882
- Scotty's Foreign Car Service 291-6882
- Martinet Gary imports auto dir 295-6950

- 3231 Auto Import Services 291-3315
- 3241 Vacant
- 3241 1/2 Maurice's Foreign & Domestic Auto Repair 298-3164
- 3265 Do-All San Diego Co mach sup 291-4900

- SASSAFRAS ST INTERSECTS
- 3341 Compitello Dennis J 299-3952
- 3341 1/2 Wheeler Chuck 295-8801
- 3343 Chin Robt D 291-2325
- 3343 1/2 Vacant
- 3345 Crawford Cheryl
- 3347 Vacant
- 3351 Admiral Termite Inc 299-6905
- Admiral Construction Co Inc genl contr 299-1857
- Airport Massage massage parlor 299-9906

- 3351 1/2 Morgan C 299-8176
- 3355 Vacant
- 3365 Astro Club tavern 297-3097
- 3367 Generators Unlimited 297-0258
- THOR ST INTERSECTS
- UPAS ST INTERSECTS
- 3503 No Return
- 3506 Ordonez Ehlers 295-9269
- 3507 Boiselle Helen C Mrs 297-2178
- 3509 Astor Dave 296-2693
- 3511 Paragon Design Co graphic arts 291-7570

- 3519 Ferris Basil W 299-0586
- 3519 1/2 Astor J M Mrs
- 3521 Jimenez Georgia 296-1964
- 3523 Stevens Sonia 297-1291
- 3535 Guyman Mel Chevron Service 296-6822
- WALNUT AV INTERSECTS
- VINE ST INTERSECTS
- 3565 Amfac Drug Supply whol 296-7151
- 3566 Bob's Union Service 298-0820
- A.A.I. Easy Rent-A-Car auto rentals 295-1247

- WALNUT AV INTERSECTS
- 3615 T & E Tool & Equipment ale & repr ser 296-6801
- 3617 Automatic Transmission Service 297-0251
- Independent Garage Owners Of San Diego County business orgn 291-9594
- 3623 Vacant
- 3645 J & S Attorney Service process servers 291-8902
- 3659 Building ROOMS
- 190 San Diego County Carpenters Group Inc 299-1626
- 200 Neville Color Copy photo copying 295-6395
- 202 A Advanced Mail Delivery Service 298-7176

- STREET CONTINUED
- 3667 Music Box tavern 295-3908
- 3667 1/2 Vacant
- 3675 Haley's Pay Less Liquors
- 3683 Randolph L P 297-0703
- 3685 Vacant
- 3687 Seymour Cath Mrs 298-4054
- 3689 Dillon Helen Mrs 296-6783
- 3695 El Indio Tortilla Shop tortilla mfrs 299-0333
- 3695 1/2 Pasqueira Ralph E @ 299-0746
- 3697 Bernie's Corner beer & wines 299-9882

- WINDER ST INTERSECTS
- 3703 Triad Gallery art gallery 299-6543
- 3711 Secret Jewels The custom jwelry mfrs 291-0041
- 3715 Canora's Sandwich Terraza 291-5938
- 3719 North India Street Trading Co art objects & antiques 295-4657

- Lund Louis
- 3731 Artist's Co-Operative Gallery art gallery 296-0206
- Venture Graphics graphic arts 296-0200
- India Street Art Colony 296-0200
- 3731 1/2 Wear It Again Sam dress shop 299-0185
- 3735 East India Trading Company gift imports 295-1206
- 3735 1/2 Baker Kenneth A
- 3737 Gondola Pizza House 295-8246
- 3739 Grace & Toni's Beauty Shop 296-4716
- 3741 Cowensberg Donald H 299-7395
- 3743 Christiano Dan
- 3745 Vacant
- 3745 1/2 Vacant
- 3749 Vacant
- 3751 Powers J W 295-0679
- 3753 Good Earth The nurseryman 298-2823

- WASHINGTON ST INTERSECTS
- ANDREWS ST INTERSECTS
- 3766 Naffziger Helen Mrs 298-4732
- 3768 Vacant
- 3770 Walker Greg
- 3772 Prater Jerry
- 3772 1/2 Vacant
- 3776 Weiss Ruby Mrs
- 3780 Iverson Thor
- 3781 Paxton Taylor 291-3563
- 3792 Burson Bayard T @ 295-7187

INDIAN WAY -FROM 4400 CLAIREMONT AV WEST

- ZIP CODE 92117
- 3659 Wareman Thos H 278-7813
- POCAHONTAS AV INTERSECTS
- 3660 Price Robt L 272-3903
- 3666 Shearer Bruce W @ 273-7844
- 3667 Fisher Thos J 272-4064
- 3672 Johnson James F @ 273-4531
- 3675 Theidlers Edw @ 272-9103
- 3678 Mosher Marilyn O @
- 3684 Luther Roger C @ 272-8195
- 3689 Trevino Antonio @ 274-0142
- 3690 Coates Geo M @ 274-8174
- GILA AV INTERSECTS
- 3710 Price Robt E @ 274-5350
- 3711 Casebier James C
- 3781 White Kenneth H @ 273-1847
- 3816 Martiak David A @ 270-0029
- 3811 Velasquez Genaro 274-5844
- 3880 1/2 Fleury Robt @
- 3881 West Robt L
- 3882 Perez Karlens 270-5486
- 3883 Ebert Binias 270-4817

INDIANA ST -FROM 1800 E UPAS ST NORTH

- ZIP CODE 92103
- 3503 Cristin Marcel J @ 296-0841
- 3510 New Indianan The apts 296-3301
- 1 Merritt Leland C 298-6256
- 2 Phylar T B
- 3 Crosby E J 291-5602
- 4 Joseph Hugh P
- 5 Taylor Helen M Mrs
- 6 Schies Olive E Mrs 295-9627
- 7 Bowen Thelma F Mrs 296-7410
- 3514 Beerman Paul consulting eng @ 295-3901
- 3515 Marwa W A Jr 291-4355
- 3517 Vacant
- 3522 Vacant
- 3524 Foster Helen E Mrs @ 295-1259
- 3528 Nomenaker James 299-2019
- 3530 Hayee Verna R Mrs @ 295-5497
- 3532 Nottingham Eliz I Mrs 296-6654
- 3537 Harmon Nancy A
- 3538 Sanford Charles O
- 3544 Callow Steven D 291-4328
- 3545 Edson Mabel E Mrs @
- 3546 Goebel Grace 295-2510
- 3547 Dunn Walter T 295-4997
- 3548 Carpenter Steve 295-7179
- 3549 Frost Carl H 295-7474
- 3551 Kendall Charles W 298-4553
- 3554 Apartments
- A Mc Ardle Sally
- B Plummer Cindy
- C Vacant
- D Stimac Matt 298-6596
- 3554 1/2 Rose Wm
- 3559 Apartments
- 1 Hodge C
- 2 Denise Randolph C 296-0268
- 3 Conklin Robt
- 4 Coleman Robt D 295-6658
- 5 Norcia Thelma B Mrs 295-9021
- 6 Muhsch Betty Mrs
- 7 Anderson S I 295-6512
- 8 Alongi A J 295-6838
- 9 Kester Waldo Z 291-4668
- 3602 Dent Richd F 299-5194

- CYPRESS AV INTERSECTS
- 3604 Thomas Penelope Mrs 297-2349

- 3605 Vacant
- 3606 Sasaki Tetsuo 298-3283
- 3606 1/2 Yehshide Michiya
- 3606 1/2 Nelson James 296-0250
- 3606 1/2 No Return
- 3607 Fowler Leslie @ 299-3607
- 3608 Davidson Harlan C 291-5627
- 3608 1/2 Flannery Thos L
- 3609 Dossy C Ray 298-7601
- 3609 1/2 Furrow Lola M Mrs 291-7189
- 3610 Koppel Kerl 291-1526
- 3611 Kilms Tony J 295-4034
- 3611 1/2 George Ernest C 295-6374
- 3612 Hoff Tina R Mrs 298-4740
- 3612 1/2 Lippe Bill 298-2305
- 3613 No Return
- 3614 Hendrickson E F 291-5712
- 3614 1/2 Liddell Scott K
- 3616 Hoff Loren K 296-1815
- 3621 Apartments
- 1 Kelley Roger D 291-4157
- 2 Walter Wm J 291-7090
- 3 Brulay Henry 295-4346
- 4 No Return
- 5 Vacant
- 6 Doherty Dorothy Mrs 295-9553
- 7 Hoffman Schoyer E 298-6708
- 8 Hawk Joseph G 295-2586
- 9 Mc Namara David L 296-6056

- 3629 Mc Vay C P @ 295-6378
- 3627 No Return
- 3628 Quince Josephine E 298-0152
- 3630 Ludwig Albert F 291-2319
- 3633 Connell Howard H
- 3634 Donaldson Jerold L 299-8796
- 3636 Danielson Doris M Mrs @ 298-1255
- 3637 Barnett Darrell E 295-8677
- 3638 Miller Paul J 294-9257
- 3640 Mayorga M E 298-4062
- 3641 Fiore Vincent @ 295-9351
- 3642 Yarnall Linda K 298-7490
- 3644 Apartments
- 1 Lopez Justavo
- 2 Alaup Conway 296-2545
- 3 Dees W J 291-3653
- 4 Allen M J 297-3651
- 3650 Hilla Lester N 298-9223
- 3652 Kaler Emma S Mrs
- 3654 Van Swearingen Vanette 291-1689
- 3656 Dow L Dianne 295-1730
- 3667 Padilla Lorenzo M 299-2952
- 3669 Hall Frances P Mrs @ 295-8063
- 3680 Wrana Joseph W 298-3027
- 3681 Bitterman Jerry 296-3635
- 3683 Clark Al C 295-9052
- 3683 1/2 Dye Paul 288-9643
- 3686 Shermond Robt A 295-7556
- 3688 Richards James E
- 3689 Manriquez Roy A 297-1205
- 3692 Stevens Lloyd L landscape 298-4444
- 3692 Vacant
- 3694 Pearson Helen C Mrs @ 297-1362
- 3696 Reedy Dani F @ 298-2375
- 3697 Schwartz Steven M @
- 3702 Knight Etta M Mrs 298-0162
- 3704 Burged Frank @ 298-5895
- 3706 Freely Ethel R Mrs 298-3680
- 3707 Lauter Eliz L Mrs @ 298-4687
- 3708 Rigg Mary H Mrs 298-4894
- 3710 Wittlery Marc E 299-6902
- 3712 Lewis Arth E 297-0497
- 3714 Reddingfield Lucille Mrs 291-0503
- 3715 Kuhnle Geo F @ 297-3607
- 3718 Lewis James D 291-6857
- 3719 Voorhees Richd 296-1677
- 3720 Wickman Maria D Mrs 291-1772
- 3721 Peranski Velma N Mrs @ 298-3475
- 3729 Goldberg Sam M @ 291-4923
- 3738 Jack's Garage auto repr 297-4982

- INDIANAPOLIS AV -FROM 4750 LAUREL ST NORTHEAST
- ZIP CODE 92105
- 2595 Dobranski Lewis @ 264-0869
- 2511 Riley Raymond

INDUSTRIAL CT -FROM 1777 SORRENTO VALLEY RD EAST

- ZIP CODE 92112
- 3328 Vacant
- 3330 General Atomic (Records Storage)
- 3336 Rector's Roundtable Restaurant 453-6391
- 3336 1/2 Curtis Associates glassblowers 453-5797
- 3337 Impulse Products Corp demolition equip research 453-2244
- Sorrento Hydraulic demolition equip mfrs 453-1845
- 3344 Coast Properties Ltd real est development 453-4280
- Foster J M Co Inc genl contr 453-8723
- Genesee Vista Properties land developers 453-0020
- Ocean Resources Inc consulting eng 459-2907
- Cal Sorrento developers 459-0020
- Cush Tours travel agcy 453-9111
- Fine Donald E real est 759-5067
- 3346 Vacant

- 3346 1/2 Great West Printing & Mailing prntx 755-6556
- American Commercial Service (Printing Div) 755-6556
- Exe Strip Register litho strip mtds 755-4556
- Valley Type typesetting 755-6556
- 3346 1/2 H F H Systems inc research 453-0410
- Life Line Enterprises art goods 453-9271
- 3346 1/2 Odds-Cast Candles mfrs 453-3800

INEZ ST -FROM 1060 GAGE DR WEST

- ZIP CODE 92106
- 3522 Bowde Gertrude L Mrs @ 223-7757
- 3525 Ferreira Joe M @
- 3530 Tate Betty R Mrs @ 224-1829
- 3535 Otterville Patricia S Mrs @ 223-3900
- 3543 Bahds Charles @ 222-9622
- 3545 Ledbetter Richd J @ 223-9962

INGALLS ST -FROM 1 SOUTH OF 1300 DOUGLAS ST NORTH

- ZIP CODE 92103
- WASHINGTON PL INTERSECTS
- 4005 Meyer Claude V 296-9388
- 4011 Kovachek Steven W 297-0875
- 4019 Laperuta L 296-1018
- 4020 Phelps Eliz B Mrs @ 296-2893
- 4021 Gornach David I 295-9601
- 4024 Cobb-Adams Diane 298-6893
- 4027 No Return
- 4028 Craven Virginia L Mrs @ 297-0887
- Repr Orr Paul D
- 4039 Sotelo Anthony A @ 296-0211

FORT STOCKTON DR INTERSECTS

- 4060 Burnam Rana
- 4061 Vacant
- 4062 Vacant
- 4068 Hager Sidney 296-6120
- 4069 1/2 Garing John 263-1556
- 4068 Cameron Martha L Mrs 296-0937
- 4070 Seitz Rebecca Mrs
- 4072 Howie Wm M
- 4074 Apartments
- 1 Nigg Randal J 291-1204
- 2 Vacant
- 3 Rieder Kenneth J 298-2278
- 4 Gallagher Donald 291-5924
- 5 Baker Christina A
- 6 Willoy Robt 291-6117

- 4062 Shelton John H @
- 4067 Garrett Mary C @ 296-1278
- W LEWIS ST INTERSECTS
- 4104 Mills Wm S @ 295-0951
- 4112 Mulligan Kath J @ 299-6386
- 4118 Packard Thos R 298-3094
- 4120 Ray Christopher Jack @ 298-3646
- 4121 Gonzalez Jess
- 4128 Cannon Anna T Mrs @ 298-1809
- 4129 Woodward James H @ 296-9637
- 4133 Woodgrass David W @ 295-7958
- 4140 Deering Robt C @ 297-3064
- 4141 Seacor Maruceta M @ 291-9061
- 4142 Meyer Elizabeth J Mrs 295-9576
- 4143 Shine Betty M Mrs
- 4145 Castator Roy A 291-5177
- 4147 Millan E Irene Mrs 291-2184
- 4151 Applegate Paul J @ 296-6218

W MONTECITO WAY INTERSECTS

- 4159 1/2 Barn M M 298-4974
- 4159 1/2 No Return
- 4162 No Return
- 4165 Forts Arth @
- 4167 Vacant
- 4169 Vacant
- 4171 Dunn Gladys M Mrs @ 298-6236
- 4185 Coemast K T 296-1235

INGELOW ST -FROM 2 SOUTH OF 1550 ROSECRANS ST NORTHWEST

- ZIP CODE 92106
- 2912 Averil Apartments 222-2912
- 1 Donaldson Robt G
- 2 Roberts Kenneth R
- 3 Wright Wm F Jr 224-9620
- 4 Bryan Robt G
- 5 Hoffman Kenneth 225-8289
- 8 Walsh Averil T Mrs @ 222-2912
- 7 Thompson Floyd E
- 2913 Duff Larry L 224-8072
- 2915 Tafaya Penelope M 223-0526
- 2917 Reeves Geo H
- 2919 Thames Steph R
- 2920 Hall Fredk
- 2921 No Return
- 2927 1/2 Lieberman David 224-6642
- 2929 Olson Charles
- 2931 Benkert Margt M
- 2933 Snow D 222-5642
- 2934 Latins Leo J Mrs @ 223-6457
- ROSECRANS ST INTERSECTS
- 3015 Vacant
- 3020 Brown Antonio @ 222-7451

KETTNER BLVD 1975

473

KERCH ST--Contd
6144 Vantran Ronald G @
6147*Stevenson Robt G @ 287-6374
6150 Jenkins Leland K @ 582-1934
6151 Moody Edw A @ 582-5879
6156 Szlesko Gerald L @ 582-8610
6157 Weeks Virginia M Mrs @ 582-7113
6152 Scott Norvil Jr @ 582-8436
6163 Vacant
6166*Ceck Miles J @
6169 Hughes David E @ 582-6033
6174 O'Leary Francis G @ 582-6045
6175 Wendland Orville @ 586-1996
6180 Patterson Harry J @ 582-0896
6181*Frazier G @ 286-9345

KEREMEOS WAY -FROM 11300 SQUAMISH RD EAST 275

ZIP CODE 92126
5806 Mahoney David W @ 271-7260
5807 Ward Bruce Q @ 271-5795
5815*Cole Margt E 566-5921
5816 Lincoln Carl E @ 271-6130
5823 Reaves Rufus G @ 568-3708
5830 Elamparo Antonio Y @ 271-1659
5831 Leneau R @ 271-4285
5838 Patterson Willie E 271-5778
5842*Gomez Mario M @
5847 Waies Robt M @ 271-7744
5854 Mc Neice Mar @ 271-9099
5855 Travers Norma Mrs @ 271-8173
5863 Nichols David F @ 271-0958
5866*Coggins Michl H
5871*Gustafson Nila D @
5878 No Return
5879 Zelones V L @ 271-9203
5887*Benson Wm R 271-8148

KESLING CT -FROM 5080 BLK KESLING ST SOUTH 191

ZIP CODE 92117
4801 Franklin Edw R 279-3968
4802 Kelly Jon Q 277-6448
4811 Van Rieckley Charles W @ 277-0498
4812 Sackett Ronald A
4822 Stemen Frank J @ 278-0756
4823 Woods Eddie @
4832 Brown James A @
4833*Edmison Joseph D
4842 Hughett Ronald D @ 277-5879
4843*Lewis Warren R 560-5421
4852 Clemens Christopher K @ 278-0207
4853 Perez Max F
4862 Mertel Franziska Mrs
4863 Bradbury Michl C @ 278-5642
4872 Mac Mootry Herman @ 282-5626
4882*Bruce John T

KESLING PL -FROM 5100 BLK KESLING ST SOUTH 181

ZIP CODE 92117
4802 Pizzini Joseph C @ 279-6641
4807 Heath Thos @
4812 Aylesworth Richd J @ 279-6380
4813 Smith James T @ 278-4467
4822 Gastauer Paul S @ 278-1720
4823 Penry Walter J Jr @ 277-4665

KESLING ST -FROM 4880 LONGFORD ST EAST 191

ZIP CODE 92117
5014 Lucas Hodges C 279-7526
5026 Vanasse Roger J @ 277-5966
5038 Roles Isabel
5049 Wasilewski Michl L 565-1908
5050 Hombree Wm T @ 278-5918
5061 O'Donnell Edwin C @ 279-6049
5062 Hay Robt W @
5074 Hurst Robt L @ 277-8326
5086 Illig David R 282-1934
RUSHDEN AV INTERSECTS
5106*Sudo Siro @
5112 White Barbara D Mrs 278-0398
5118 Woo Sam @ 560-6480
5124 Hanlon Ralph W
5130 Brooks Leroy R 278-4184
5136 Anderson Geo B @

LIMERICK AV INTERSECTS 565

5205*Putman Harold
5219*Ridena Jean 278-4142
5233 Idoker Stan 278-0540
5247 Pedersen Jens @
5259*Ampran Alex
5260 No Return
5269 Christian Josephine Mrs @
5270 Picazo Joaquin V @ 277-5559

5277 Buelterman Arth C @
5278*Cooke Kevin 278-8210
5286 Istaria Fidel H @
5289*Castro David 279-6476
5302*Pena Henry L
5303 Stone Ken @ 277-3502
5312*Rogers Henry A
5315 Esch Carl E @
5322 Morse Larry M @ 279-3735
5332 Mc Auhffe Robt C @ 278-2829

KESTON CT -FROM 7000 BEAGLE ST SOUTH 569

ZIP CODE 92111
3415 Garity Thos H 279-6280
3425 Forgey Augustine H @ 279-1376
3436 Corley Charles E @ 277-6337
3438 Davis Robt C @ 279-8469
3436 Wears Leo G @ 278-5180

KETTNER BLVD -FROM 700 W MARKET ST NORTH 903

ZIP CODE 92101
HARBOR DN INTERSECTS
MARKET ST INTERSECTS
629 J-Line prints 285-8860
Howarth Wm S coml artist 234-1286
639 Ed's Typesetting 294-7744
780 O'Sullivan Square Building 235-6423
Hobart Investment Co real est 235-6423
Bradley Properties real est developers 235-6423
Pine Realty 235-6423
Raymond Associates real est 235-6423
Rooms
A Hill-Smyk real est 234-8321
B Bart Corporation real est inv 235-6423
C Lewis Walter R landscape archt 235-6423
D Davidson John landscape ercht 235-6423
E Keep & Tyres lawyers 233-5415

STREET CONTINUED

Kitchell Joyce Illustrator 233-1378
Ward Robt coml photog 239-5555
San Diego Reader newspaper 235-6176
Mac Donald Engineering elec 234-3221
G STREET INTERSECTS
F STREET INTERSECTS
855 Standard Brands Paint Co ret 232-3382
E STREET INTERSECTS

BROADWAY ST INTERSECTS 902

1005 Riff Raff tavern 239-1811
1020 Atchison Topeka & Santa Fe Railway railway ft 232-3198
1050 Amtrak railway passenger serv 239-9021
Santa Fe Snack Bar gifts 238-0244
C ST INTERSECTS
1190 Vacant
B ST INTERSECTS
1202 Bekins Moving & Storage Co 234-3141
1241 Bekins Moving & Storage Co (Parking Lot)
1256 Botanical Interiors plants 236-0179
1262 Designbank drafting 236-1916
1268 Merin John A lwyer 232-6471
Battaglia Anthony J lwyer 232-6431
1271 Backer Motors used cars 232-1341
WEST A ST INTERSECTS
1301 Allright Auto Park 1302 Vacant
1306 Dave's Display World novelties-ret 232-3087
1329 Sherwin Williams Co 239-3328
1355 Allright Auto Park

ASH ST INTERSECTS 901

1401 Honda Of San Diego motorcycles- auto new sls-serv 239-3801
1420 J T Motors used auto sls 239-0121
Rent-A-Car 239-0121
1424 Designed Facilities Leasing Co mobile ofc space rentals 233-1166
1440 Mission Garage auto towing 239-1325
Mission Garage Auto Repair 239-1324
1465 Aamco Transmissions repr 232-5134
BEECH ST INTERSECTS
1501 Allright Auto Park coin op
1502 Berkell Military Sales confectionery supe 239-5531
C & R Transfer Co 233-6466

Notch M A Corp exporters 239-8782
Continental Car Leasing 232-4935
1516 Compacts Only Rent A Car System 232-9117
1566 A A Rent-A-Car Inc 233-8885
Ryder Truck Rental 233-6626
CEDAR ST INTERSECTS
1601 Consolidated Leasing Corp auto truck & equip 239-2078
National Car Rentals 235-6274
1661 Contender Chase Boats boat dir 232-9549
1671*Berndos Sotis
1673 Common Cause committee org 235-6557

DATE ST INTERSECTS 1

1730 Vacant
1731*Dentone John J 239-7929
1743*Stamps Virginia R Mrs
1745 Carlson Geo C 233-6042
1747 Carlson Co The heating equip 233-5042
1753 Asaro Giuseppe @ 233-0966
1765 Corona Donald 233-3882
1765 1/2 Vacant
1767 Davis Roy J
1769 Tarantino Pietro @ 239-7923
1770 Pacific Tel & Teleg Co 239-4114
Pacific Tel & Teleg Co (Pbx installation) 238-4401
1771*Giacalone Nora 233-4419
1781 D'Amato Frank 234-0415
FIR ST INTERSECTS
1802 San Diego Mtrs Imports Inc 234-3661
1903*White Kenneth H @ 235-5327
1907*Denny Michl H 238-0752
1915 Home Realty 233-6423
Superior Property Management Corp 235-6423
1929 Colombo Wine & Delicatessen wines 239-9926
1929 1/2 Ortiz Adam
1954 San Diego Motor Imports inc new & used cars 234-3661
Accent Insurance ins agcy 234-3661
W GRAPE ST INTERSECTS
2001 Amelco Electric contr 232-6355
Evaluation Research Corp eng consultants 234-3502
Hudson Frnak inc mech contrs 232-4691
2030 Miguelito's Restaurant 233-8663
2034 Warts Contract Furnishers (Whse) furnishing 234-7976
2036 Warts Contract Furnish rs house furnishing 234-7976
2044 Waterfront The cocktail lounge 232-9696
2045 Shanks & Wright inc electronic equip whol 239-0174
2055 Alhof Hendrick 239-7876
2055 1/2 Daum Joseph F 2056 Vacant
2062 Scott M A 235-9168
2064 Mulligan, Harry O

HAWTHORN ST INTERSECTS 5

2106 Thrifty Rent-A-Car 236-2281
2101 Tap-E-Co Products whol transmission parts 233-6215
2102 Thomey John G Service auto repr 239-3114
2119 Toigo's Auto Body & Paint 232-5592
2136 International Parts Distributors foreign cars 239-1319
2151 Pioneer Air Conditioning Co auto air conditioning 234-6721
2174 Sonart Incorporated tire center & auto leasing 232-3173
2175 Pioneer Radiator Inc repr 234-6741
W IVY ST INTERSECTS
2201 Vacant
2210 Vacant
2215 United States Battery Mfg Inc 234-4901
2227 Vacant
2228 Helix Wholesale Co whol bldg mtl 239-9393
Howard Projects publ periodicals 233-1791
Howard Paul T 233-1791
2229*Hathaway Ken
2241 Crivello Nina Mrs @ 232-8573
2251 Massa Steve Jr
2253 Tarantino John 239-7679
2266 Haulman Welding 238-0558
JUNIPER ST INTERSECTS
2308 Kont Allen Furniture 233-8122
2311 Photophile photograph atock shots 234-4431
2313 Rogandino Advertising & Marketing adv agcy 234-3665
2321 Castro Martino A
2327 Vacant

2345*Sanfilippo Luigi 238-2351
2347*Hailo Vito 235-0470
KALMIA ST INTERSECTS
2400 Vacant
2401 Professional Radial Tire dir & distr 238-1015
2419 Romani Louise C Mrs @ 234-1038
2427 Keyser John D 234-1695
2429*Fauso Luis M 235-0690
2431*Jackson Jerlene
2433*Oliver Robt 232-1269
2435 Vacant
2435 1/2*Gonzales Juventino 239-5540
2443 Sanfilippo Margt Mrs @ 239-8494
2453*Garcia Larry 239-0598
2455*Ribble Joseph
LAUREL INTERSECTS
2501 Club The cocktail lounge 239-4377
2515*Larios Lareene
2517*Repinor Bonny
2519 Aguirre Francisco 234-5038
2521 Vacant
2525 Lamb Darce
2528 Solar Employees Federal Credit Union 234-6661
2555*Jackson Stanley
2557*Giacalone Frank @
2559 Litho Art Service inc 238-1525
Litho Art Service inc (plant)
MAPLE ST INTERSECTS
2601 Mc Namara Jack
2609*Young Brian
2605*Harris Bob N 295-9532
2607 Gurnsey Floyd M 296-1167
2609 Vacant
2611 Baumberger Bryona L Mrs 295-9783
2676 Vacant
2680 Blackman's Boat Service boat bidrs & repr 297-1059
Clark Custom Boats boat bidrs & repr 297-2795
Matson Michael Studio coml artist
NUTMEG ST INTERSECTS
2727 Culligan Water Conditioning Of San Diego inc 291-0450
2730 Instant Printing Service 297-2281
Register Publishing Co program directories 297-2281
San Diego Tourist Guide publ 295-3785
2750 Nevenesch Printers Inc 297-2281
OLIVE ST INTERSECTS
2804 Kettner Radiator Shop repr 295-5171
2812 Puse n Boots tavern 296-9381

PALM ST INTERSECTS 9

2916 No Return
2918 Mc Killip Robt
2920 Raines Wm A
2932 Vacant
2942 Ideas Incorporated Repair (Whse) 295-5639
2955 Grajeda Geo M 291-9018
2960*Lebeau Tom
2962*Wright Andrew
W QUINCE ST INTERSECTS
3002 Colombo Fidel @ 296-2960
3020 Tommy's Furniture Repair 295-8451
3028 Bennett Juan B Mrs
3030 Schoider James G 295-1736
3032 National Maritims Union 296-5809
3042 Verma's Dagmar Mrs 296-1624
3066 Trans Rent A Car Inc 297-0311
REDWOOD ST INTERSECTS
SASSAFRAS ST INTERSECTS
8334 Plastik Arts fabricators 296-3415
3338 Bandanne Art Products art gds whol & mfrs 291-8758
3338 Fry Danny J 295-4441
3340*Ramos Ricardo L 298-8988
3343 Vacant
3344*Varraso Amadeo 291-3855
3346 Gonzales Robt
3348 Sandoval Manuel R 291-4051
THORN ST INTERSECTS
3420 Coggeshall Albert W plmb & bldg sup 295-2149
3444 Vacant
UPAS ST INTERSECTS
VINE ST INTERSECTS

LUPAS ST INTERSECTS 18

3554 General Electric Co sls & serv 297-2975
3564 Lapidary Journal inc book & magazine publs 297-4841
3574 Masterlist Inc controlled data 295-4166
3576 Vacant
3580 Commerce Publishing Co 296-1161
3590 Tolle Co The adv agcy 298-7101
Concept Graphics 298-1161

KETTNER BLVD 1975

474

KETTNER BLVD--Contd San Diego Assn of Advertising Agencies 298-7105

ZIP CODE 92110 ANDREWS ST INTERSECTS 3779 Miller Ted 298-2852 3785*Geary John 295-8250 3797 Lanming Marg L Mrs @ 296-2504 MC KEE ST INTERSECTS 3802*Himan Geo 3803 Oslar Walter R Jr @ 296-1840 3809 Pires Joaquin 296-4947 3821 Carroll Charles W @ 296-3000 3826 Komos Henry J @ 3830*West Mark 3831*Miller Mary J 298-1776 3832*Malinowski Steve J 3833 Traylor Josephine L Mrs 291-0959 3838 Goodman Charles R 3839 Merritt John T Jr 298-2688 3841 Vacant 3843 Mellis Danl A 3844 Vacant 3845 Vacant 3847 Fiorato Jose D @ 297-3804 3848*Platter Harold PRINGLE ST INTERSECTS 3857 Ward Candace S 298-2539 3859 Vacant 3865*Mayhaw Melvin 298-5934

KEW TER --FROM 3400 NUTMEG ST SOUTH ZIP CODE 92104 2803 Smith Manuel R @ 2804 Garcia Sam J @ 2809 Chadwell Charlene Mrs @ 2810 Neve Stanley L @ 282-4071 2815 Gillingham Michl A @ 282-5588 2818 Burke Wm L @ 284-2783 2823 Neal Robt D @ 280-2816 2824*Mc Kenney Larry B 281-7843

KICKAPOO CT --FROM 3300 HATTERAS AV NORTH ZIP CODE 92117 4506 Jones Ernest D 4516 Messenger Eliz I Mrs @ 273-1921 4528 Deagle Karen M 273-2645 4527 Cisar H L 273-6264 4536 O'Neal Norma V Mrs @ 274-6164 4537*Dickey Jarry L @ 273-1508 4546 Echepp Vera E Mrs 273-0474

KILBOURNE DR (LA JOLLA)--FROM 8364 SUGARMAN DR NORTH ZIP CODE 92037 8601 Lazzero Herbert I @ 453-2388 8602 Weip Otto G 453-9484 8611 Robb Janna A @ 453-1514 8620 Vacant 8621 Kalla Joseph M Jr @ 453-0250 8631 Kohn Walter @ 453-5466 8641*Gray C W 453-8914 8650 Murray G Graham @ 453-2578 8631 Vacant 8660 Haner Charles F @ 452-0138 8661 Orloff Marshall J @ 453-2709

KILKEE ST --FROM 5100 CONRAD AV NORTH ZIP CODE 92117 5001 Mathis Timothy R @ 282-1048 5002 Serrat Dale E @ 5009 Alvarado Esiquiel @ 279-8927 5010 Vacant 5017 Wells James R S @ 277-3589 5018 Brown Lepidia Mrs @ 5025 Bailey Howard R @ 5026*Russell Ray W 585-4050 5033 Heath Thos C @ 277-1082 5034 Vacant 5041 No Return 5042 Steele Lola M Mrs @ 277-4686 5044*Soeie Thos L @ 565-9207 5050 Wilson Charles W @ 278-3781 5057 Wallace Carra A @ 277-7434 5058 Mitchell Jarald E @ 277-4935 5068 Hardy Charles H 277-8080 5068*Haute Theo H 278-4820 5073 Weare Marguerite L Mrs 279-7878 5074 Rose Roland L @ 277-3254 5081 Poueu Rogo 279-2822 5082*Magnussen Karl O 278-1074 5088 Bernard Dewey M @ 279-0427 5089*Sanca John C 565-4180

5096 Pompei Mary Mrs @ KILT CT --FROM 4240 KIRKCALDY DR EAST IN A CIR ZIP CODE 92111 7613*Ridgley Joe L 278-8264 7614 Eggert Geo F Jr @ 7623 Succetti Michl A @ 278-5302 7624 Grows Hubert L @ 278-1070 7634 Altona Johann @

KIM PL --FROM 9500 BLK RONDA AV NORTH ZIP CODE 92123 2602 Crown Gertrude C Mrs @ 277-2127 2603 Holman James E @ 278-4892 2614*Cowart Walter E 560-7832 2616 Wetars Wm 2627 Grebenstein Steph E 565-1796 2627 Pingry Gerald @ 565-0886 2639 Smith Lynn Mrs @

KING ARTHUR CT (LA JOLLA) FROM 6700 LA JOLLA SCENIC DR WEST ZIP CODE 92037 2207 Metro Oil Products 459-8075 2321 Vacant 2335*Parkin Thos R 454-8404 2336*Redmond Bruce N 459-9321 2349 Vacant 2353 Under Constn 2366 No Return 2390*Pulaski Edw 459-1067 2391*Schorn Victor G

KINGS WAY --FROM 4850 DIANE AV NORTH ZIP CODE 92117 4505 Sloane Mary A Mrs 277-5706 4512 Frater Wayne K @ 277-5667 4515 Dursanleau Andre E 279-4863 4523 Klotzacke Erich A @ 279-0033 4525 Beckes Ralph W @ 278-3065 4526*Harvey Edwin D @ 565-4166 4535 Harris Elard W @ 277-8743 4542 Aguayo Alf J @ 277-5430 4552 Van Berlo Theo M @ 278-4035 4556 Atanassoff Steve @ 4622*Kendrick Robt @ 4572 Swope Anthony F 279-0748

KINGSLAND RD --FROM 2300 GREENWING DR EAST ZIP CODE 92123 8407 Ackermann Andrew A @ 8415 Dubroval Roland @ 279-6261 8423 Goldner Pamela Mrs 8426 Clark Griffith T @ 8431 Blase Colleen I Mrs @ 279-1668 8436 Chuekta Sami C @ 277-7802 8439 Cypsey Anne K Mrs @ 277-1106 8446 Pesti Tui S @ 278-4645 8447 Ritz John H @ 278-5368 8456 Norris Patk J @ 278-6665 8458 Doedderlein Robt J 278-9887 8470 Ward Beverly G Mrs @ 277-7687 8471 Sapiro Leon @ 277-8888

KINGSLEY ST --FROM 290 ROSECRANS ST NORTHWEST ZIP CODE 92106 3003 Faulkner H R @ 222-8151 3021 Richardson Joseph L @ 222-2436 3022*Flud James A @ 3029 Jehl Jos R Jr @ 224-4663 3030 Mc Cutcheon Elsie Mrs @ 222-7788 3035 Warren Williston L @ 223-8672 3036 Hemesath Ida E Mrs @ 223-8687 LOCUST ST INTERSECTS 3104 Ruth Philip N @ 222-8703 3105 Brown Earle V @ 223-8576 3111 Crossman Kathryn M Mrs @ 223-8576 3114 Waterbury John A @ 223-7455 3121 Zanetti Ada J Mrs @ 223-0938 3122 Kennedy Martha A @ 223-8678 3130 Hofman Joseph H @ 222-4138 3131 Bartel Richd F @ 223-3734 3136 Schick Charles H @ 223-0042 3141 Gillespie James P @ 224-5492 EVERGREEN ST INTERSECTS 3212 Mc Keown Virginia C Mrs 3228 Heffel Ellen J Mrs @ 224-5597

CHATSWORTH BLVD INTERSECTS 3601*Gonzales Joseph @ 3602 Jason Robt L @ 224-2356 3605 De Lira Ruben @ 223-6390 3607*Correia Manuel @ 223-3087 3610 White Robt C @ 223-1795 3611 Wheeler Lois Mrs @ 222-9826 3614 Brat Virgil C @ 223-0461 3615 Hamkin Dani A @ 223-1636 3618 Carvalho Ralph J @ 223-8375 3621*Quidi Jules @ 3622 Goncalves Manuel C @ 223-6026 3625 Powell Wm C @ 224-8774 3628 Horyst Frank C @ 223-3733 3629 Weigand John W @ 222-8723 3630 Burman C Phillip @ 223-6301 3633 Izazralli Ruth C Mrs @ 224-5006 3638 Saleebey Henry S @ 223-3935 3637 Nadeau Maurice T @ 224-1584 3641 Lambert Geo E @ 224-9119 3642 Vacant 3647 Gumanson Rolf 223-0484 3648 Bear Dee 223-0393 3653 Vacant 3654*Ferguson Emery J 223-8311 3659 Thompson Paul J @ 223-1321 3660*Baker W J

JAMES ST INTERSECTS 3702 Palmer John T @ 224-4968 3708 Bruni Amadeo G @ 224-1330 3711 Boyle John D @ 222-9030 3714 Nichols Jacob @ 3719*Atkins John W 222-7697 3720 Tucker Heien M @ 224-1309 3725 Johnson Douglas C @ 224-3841 3726 Moniz Joseph A @ 222-2956 3730 Severn Gordon E @ 222-6058 3731 Trechuelo Alice Mrs 222-5975 3737*Hines Walter 224-4213 3738 Conklin Charles E @ 224-4376 3743 Wright James @ 223-3442 3744*Butler Thos @ 223-3392 3745 Gray Scott C @ 3749 Hall Ralph E @ 224-2557 3755 Lunsford Bill @ 222-7719 3756 Hardie Adele G Mrs @ 3760 Radich Lawrence 3761 Thompson Robt D @ 223-0018

POINSETTIA DR INTERSECTS 3761 Thompson Robt D @ 223-0018 KINGSWOOD CT --FROM 3371 OCEAN FRONT WALK EAST ZIP CODE 92108 714*Moody Betty 488-2372 717 Vacant 717 1/2 Vacant 718 Wahler Lon R 488-3701 719*Rothstein Kenneth 721 Rock Harold @ 488-6143 722*Thomas Geo 722a*Federman Jim 722b*Robertson Jon P 488-1600 725c*Boeche Leo 488-5441 726 Heberlein Edmund F @ 488-4505 MISSION BLVD INTERSECTS 801 Vacant 803*Warren Charles 488-3085 805 Vacant 807 Vincent Edmund W 808*Smith Paul 488-1253 810 Vacant 811 O'Brien John L @ 488-9675 812*Hall Kath 488-8245 814*Frohling James 488-2694 815 Granger David 488-4715 818*Treadwell Kevin 488-5914 818 Vacant 821*Lane Larry 488-2195 823*Cullen John P 488-5768 825 Mc Lead Gilbert @ 488-2762

KINGSWOOD ST --FROM 327 SUNSWEST ST WEST ZIP CODE 92114 306 Vacant 307 Kelly James @ 316 No Return 321 Johnson C Donald @ 479-2268 326*Bradley James 479-3295 334 Mitchem Hampton @ 479-2389 337 Osburn David E @ 479-2883 344 Blas Manuel C @ 479-2613 353 Jorgenson Joshua E @ 354*Ahano Alfredo Jr @ 475-1799 364 Bute Rodney K @ 479-9933 365 Mossick Kenneth L 479-1890 374 Waters Frank O @ 377 Schreiber Michl J @ 479-7152 384 Vacant BROOKHAVEN RD INTERSECTS

416 Rubalcaba Joseph R @ 479-4678 BIG OAK ST BEGINS 426*Tesoro Jesus @ 479-4922 436 P & G Travel Consultant travel arrangements 479-4868 Larson Philip A 479-4858 448 Contreras Joseph W @ 456 Heath Geo @ 479-8366 GATEWOOD ST BEGINS 466*Webb Nobuka Mrs @ 476 Gordon W James @ 479-4335 486 Smith Leon @ FARMDALE ST BEGINS 504 Brown Ron

KIRKCALDY DR --FROM 7630 O'THELLO AV NORTH ZIP CODE 92111 4101*Torregrosa Erwin A 292-5906 4102 Egemo Carroll O @ 276-4659 4111 Turpin Robt M @ 278-8969 4112 Baldwin Aden E @ 277-8365 4119 Hanson Rodney D @ 279-2839 4122 Todd James M 278-6799 CALDY PL BEGINS 4135 Raisia Myrtle L Mrs @ 4149 Maese Robt E @ 278-1888 4147*Connell Charles E 277-8406 4156 Lintner Gerald T @ 4159 Lofien Phillip D @ 278-3843 4166 Stanford Calvin H LOCH LOMOND ST BEGINS 4176*Kasselmann Larry 278-3073 4185*Reynolds Rick 566-7579 4186 Cota Robt A @ 4195 Kent Helen A Mrs 279-4928 4196 Geer David H @ 277-4176 MARLESTA DR ENDS 4201 Ulbarrri Joe R @ 279-7763 4211 Bejarano Tony J @ 4220*Donnellan James 4221 Ward Richd I @ 278-7087 4230 Newell Louisa W @ 277-6554 4231 Dodd Allan A @ 278-5139 4240 Kaschak Louisa A KILT CT BEGINS 4260 Donnellan Thos S @ 277-8714 4261 Stepka Joseph F @ 277-1839 4266 Paquin Howard @ 279-1832 4261a*West Dale L 560-4327 4271 Foss Merle S @ 278-7958 4281 Deaso Billy G @ ARMOUR ST BEGINS

KIRKWOOD PL (LA JOLLA)--FROM 8241 LA JOLLA HERMOSA AV EAST ZIP CODE 92037 601 Bruner Marion Mrs 488-6392 602 Powrie Wm D 488-4297 603 No Return 604 Rodolf Nellie B Mrs 488-5156 605 Feldmann Allene J Mrs 488-8490 606 Bailey N W 489-3689 607*Thomas A Virginia 608 Schwahn Ray F 488-1979 609 Hollis Everett R 488-9119 610 Vacant 611 Harrison John A 488-1660 612 Hunter Harry H 488-6068 613 Hassenpung Ruth C Mrs 488-5619 614 Trotter John K 488-9012 615 Brown David W 488-4667 616 Young Geo O 488-8972 617 Newcombe Fredk E 488-1349 619*Noah Faye Y Mrs 488-3831 621 Fleming Thos J Jr 488-3387 623 Vacant 625 Douglas Anne L Mrs 488-5870 627*Fleming Tom 629 Hales Wm M 488-9882 631 Edington Regina O Mrs 488-7022 632*Tacker Raymond A 488-6756 633 Hill A Louise Mrs 488-6737 634*Sibley Joseph F 488-1477 635 Hughes Louise E Mrs 488-3572

KIRTRIGHT ST --FROM 6200 ALDERLY ST SOUTHEAST ZIP CODE 92114 518*Preston Virgil 530 Moore Donald O 284-9193 542 Adkins Barry E @ 262-3297 554 Backley Robt L @ 262-8029 608 Lacey Alice M Mrs @ 615 No Return 620 Andrews Charles J @ 282-8091 632 No Return 639 Roland Saml @ 263-2917 644 Jaball Geo 284-2358

KETTNER/VINE ST 1975

473

KERCH ST--Contd

6144 Vantran Ronald G @
 6145 Stevenson Robt G @ 287-6374
 6150 Jenkins Leland K @ 582-1934
 6151 Moody Edw A @ 582-5879
 6156 Szlesko Gerald L @ 582-8610
 6157 Weeks Virginia M Mrs @ 582-7113
 6152 Scott Norvil Jr @ 582-8436
 6163 Vacant
 6166 Cack Miles J @
 6169 Hughes David E @ 582-6033
 6174 O'Leary Francis G @ 582-6045
 6175 Wendland Orville @ 586-1996
 6180 Patterson Harry J @ 582-0896
 6181 Frazier G @ 286-9345

KEREMEOS WAY --FROM 11300 SQUAMISH RD EAST 276

ZIP CODE 92126
 8806 Mahoney David W @ 271-7260
 8807 Ward Bruce Q @ 271-5795
 8816 Cole Margt E 586-5821
 8818 Lincoln Carl E @ 271-6130
 8823 Reaves Rufus G @ 586-3708
 8830 Elamparo Antonio V @ 271-1659
 8831 Leneau R @ 271-4285
 8838 Patterson Willie E 271-5778
 8842 Gomez Mario M @
 8847 Wales Robt M @ 271-7744
 8854 Mc Naice Mar @ 271-9099
 8855 Travers Norma Mrs @ 271-8173
 8863 Nicholas David F @ 271-0958
 8866 Coggins Michl H
 8871 Gustafson Nils D @
 8878 No Return
 8879 Zelones V L @ 271-9203
 8887 Benson Wm R 271-8148

KESLING CT --FROM 5080 BLK KESLING ST SOUTH 191

ZIP CODE 92117
 4801 Franklin Edw R 279-3968
 4802 Kelly Jon Q 277-6448
 4811 Van Rieckley Charles W @ 277-0498
 4812 Sackett Ronald A
 4822 Stemen Frank J @ 278-0756
 4823 Woods Eddie @
 4832 Brown James A @
 4833 Edmiston Joseph D
 4842 Hughett Ronald D @ 277-5879
 4843 Lewis Warren R 560-5421
 4852 Clemens Christopher K @ 278-0207
 4853 Perez Max F
 4862 Mertel Franziska Mrs
 4863 Bradbury Michl C @ 278-5642
 4872 Mac Mootry Herman @ 282-5626
 4882 Bruce John T

KESLING PL --FROM 5100 BLK KESLING ST SOUTH 191

ZIP CODE 92117
 4802 Pizzini Joseph C @ 279-6641
 4807 Heath Thos @
 4812 Aylesworth Richd J @ 279-6380
 4813 Smith James T @ 278-4467
 4822 Gastauer Paul S @ 278-1720
 4823 Ferry Walter J Jr @ 277-4665

KESLING ST --FROM 4880 LONGFORD ST EAST 191

ZIP CODE 92117
 5014 Lucas Hodges C 279-7526
 5026 Vanasse Roger J @ 277-5966
 5038 Roles Isabel
 5049 Wasilewski Michl L 565-1908
 5050 Hombree Wm T @ 278-5918
 5061 O'Donnell Edwin C @ 279-6049
 5062 Hay Robt W @
 5074 Hurst Robt L @ 277-8326
 5086 Illig David R 282-1934
RUSHDEN AV INTERSECTS
 5106 Sudo Siro @
 5112 White Barbara D Mrs 278-0398
 5118 Woo Sam @ 560-6480
 5124 Hanlon Ralph W
 5130 Brooks Leroy R 278-4184
 5136 Anderson Geo B @

LIMERICK AV INTERSECTS 565

5205 Putman Harold
 5219 Ridena Jean 278-4142
 5233 Idoker Stan 278-0540
 5247 Pedersen Jens @
 5259 Ampran Alex
 5260 No Return
 5269 Christian Josephine Mrs @
 5270 Picazo Joaquin V @ 277-5559

5277 Buelterman Arth C @
 5278 Cooke Kevin 278-8210
 5286 Istaria Fdiel H @
 5289 Castro David 279-6476
 5302 Pena Henry L
 5303 Stone Ken @ 277-3502
 5312 Rogers Henry A
 5315 Esch Carl E @
 5322 Morse Larry M @ 279-3735
 5332 Mc Auhffe Robt C @ 278-2823

KESTON CT --FROM 7000 BEAGLE ST SOUTH 569

ZIP CODE 92111
 3415 Garity Thos H 279-6280
 3425 Forgey Augustine H @ 279-1376
 3436 Corley Charles E @ 277-6337
 3438 Davis Robt C @ 279-9469
 3436 Wears Leo G @ 278-5180

KETTNER BLVD --FROM 700 W MARKET ST NORTH 903

ZIP CODE 92101
HARBOR DR INTERSECTS
MARKET ST INTERSECTS
 629 J-Line prints 285-8860
 Howarth Wm S coml artist 234-1286
 639 Ed's Typesetting 284-7744
 780 O'Sullivan Square Building 235-6423
 Hobart Investment Co real est 235-6423
 Bradley Properties real est developers 235-6423
 Pine Realty 235-6423
 Raymond Associates real est 235-6423
 Rooms
 A Hill-Smyk real est 234-8321
 B Bart Corporation real est inv 235-6423
 C Lewis Walter R landscape archt 235-6423
 D Davidson John landscape ercht 235-6423
 E Keep & Tyres lawyers 233-5415

STREET CONTINUED

Kitchell Joyce Illustrator 233-1378
 Ward Robt coml photog 239-5555
 San Diego Reader newspaper 235-6176
 Mac Donald Engineering elec 234-3221
G STREET INTERSECTS
F STREET INTERSECTS
 855 Standard Brands Paint Co ret 232-3582
E STREET INTERSECTS

BROADWAY ST INTERSECTS 902

1005 Riff Raff tavern 239-1811
 1020 Atchison Topeka & Santa Fe Railway railway frt 232-3193
 1050 Amtrak railway passenger serv 239-9021
 Santa Fe Snack Bar gifts 238-0244
C ST INTERSECTS
 1190 Vacant
B ST INTERSECTS
 1202 Bekins Moving & Storage Co 234-3141
 1241 Bekins Moving & Storage Co (Parking Lot)
 1256 Botanical Interiors plants 236-0179
 1262 Designbank drafting 236-1916
 1268 Merin John A lwy'r 232-6471
 Battaglia Anthony J lwy'r 232-6431
 1271 Backer Motors used cars 232-1341
WEST A ST INTERSECTS
 1301 Allright Auto Park
 1302 Vacant
 1306 Dave's Display World novelties-ret 232-3087
 1329 Sherwin Williams Co 239-3328
 1355 Allright Auto Park

ASH ST INTERSECTS 901

1401 Honda Of San Diego motorcycles- auto new sls-serv 239-3801
 1420 J T Motors used auto sls 239-0121
 Rent-A-Car 239-0121
 1424 Designed Facilities Leasing Co mobile ofc space rentals 233-1166
 1440 Mission Garage auto towing 239-1325
 Mission Garage Auto Repair 239-1324
 1465 Aamco Transmissions repr 232-5134
BEECH ST INTERSECTS
 1501 Allright Auto Park coin op
 1502 Berkell Military Sales confectionery supe 239-5531
 C & R Transfer Co 233-6466

Notch M A Corp exporters 239-8782
 Continental Car Leasing 232-4935
 1516 Compacts Only Rent A Car System 232-9117
 1566 A A Rent-A-Car Inc 233-8885
 Ryder Truck Rental 233-6626
CEDAR ST INTERSECTS
 1601 Consolidated Leasing Corp auto truck & equip 239-3078
 National Car Rentals 235-6274
 1661 Contender Chase Boats boat dir 232-9549
 1671 Bendos Sotis
 1673 Common Cause committee org 235-6557

DATE ST INTERSECTS 1

1730 Vacant
 1731 Dentone John J 239-7929
 1743 Stamps Virginia R Mrs
 1745 Carlson Geo C 233-6042
 1747 Carlson Co The heating equip 233-5042
 1753 Asaro Giuseppe @ 233-0966
 1765 Corona Donald 233-3882
 1785 Vacant
 1787 Davis Roy J
 1789 Tarantino Pietro @ 239-7923
 1770 Pacific Tel & Teleg Co 239-4114
 Pacific Tel & Teleg Co (Pbx Installation) 238-4401
 1771 Giacalone Nora 233-4419
 1781 D'Amato Frank 234-0415
FIR ST INTERSECTS
 1902 San Diego Mtrs Imports Inc 234-3661
 1903 White Kenneth H @ 235-5327
 1907 Denny Michl H 238-0752
 1915 Home Realty 233-6423
 Superior Property Management Corp 235-6423
 1929 Colombo Wine & Delicatessen wines 239-9926
 1929 Ortiz Adam
 1954 San Diego Motor Imports inc new & used cars 234-3661
W GRAPE ST INTERSECTS
 2001 Ameco Electric contr 232-6355
 Evaluation Research Corp eng consultants 234-3502
 Hudson Frnak inc mech contrs 232-4691
 2030 Miguelito's Restaurant 233-8663
 2034 Warts Contract Furnishers (Whse) furnishing 234-7976
 2036 Warts Contract Furnish rs house furnishing 234-7976
 2044 Waterfront The cocktail lounge 232-9686
 2045 Shanks & Wright inc electronic equip whol 239-0178
 2055 Alford Hendrick 239-7876
 2055 Daux Joseph F
 2056 Vacant
 2062 Scott M A 235-9168
 2064 Mulligan, Harry O

HAWTHORN ST INTERSECTS 5

2106 Thrifty Rent-A-Car 236-2281
 2101 Tap-E-Co Products whol transmission parts 233-6215
 2102 Thomey John G Service auto repr 239-3114
 2119 Toigo's Auto Body & Paint 232-5592
 2136 International Parts Distributors foreign cars 239-1319
 2151 Pioneer Air Conditioning Co auto air conditioning 234-6721
 2174 Sonart Incorporated tire center & auto leasing 232-3173
 2175 Pioneer Radiator Inc repr 234-6741
W IVY ST INTERSECTS
 2201 Vacant
 2210 Vacant
 2215 United States Battery Mfg Inc 234-4901
 2227 Vacant
 2228 Helix Wholesale Co whol bldg mtl 239-9393
 Howard Projects publ periodicals 233-1791
 Howard Paul T 233-1791
 2229 Hathaway Ken
 2241 Crivello Nina Mrs @ 232-8573
 2251 Massa Steve Jr
 2253 Tarantino John 239-7679
 2266 Haulman Welding 238-0558
JUNIPER ST INTERSECTS
 2308 Kont Allen Furniture 233-8122
 2311 Photophile photograph atock photo 234-4431
 2313 Rogandino Advertising & Marketing adv agcy 234-3665
 2321 Castro Martino A
 2327 Vacant

2345 Sanfilippo Luigi 238-2351
 2347 Rallo Vito 235-0470
KALMIA ST INTERSECTS
 2400 Vacant
 2401 Professional Radial Tire dir & distr 238-1015
 2419 Romani Louise C Mrs @ 234-1038
 2427 Keyser John D 234-1695
 2429 Fausto Luis M 235-0690
 2431 Jackson Jerlene
 2433 Oliver Robt 232-1269
 2435 Vacant
 2435 Gonzalez Juventino 239-5540
 2443 Sanfilippo Margt Mrs @ 239-8494
 2453 Garcia Larry 239-0598
 2455 Ribble Joseph
LAUREL INTERSECTS
 2501 Club The cocktail lounge 239-4377
 2515 Larios Larene
 2517 Espinoz Bonny
 2519 Aguirre Francisco 234-5038
 2521 Vacant
 2525 Lamb Darce
 2528 Solar Employees Federal Credit Union 234-6661
 2555 Jackson Stanley
 2557 Giacalone Frank @
 2559 Litho Art Service Inc 238-1525
 Litho Art Service Inc (plant)
MAPLE ST INTERSECTS
 2601 Mc Namara Jack
 2609 Young Brian
 2605 Harris Bob N 295-9532
 2607 Gurnsey Floyd M 296-1167
 2609 Vacant
 2611 Baumberger Bryona L Mrs 296-9783
 2676 Vacant
 2680 Blackman's Boat Service boat bidrs & repr 297-1059
 Clark Custom Boats boat bidrs & repr 297-2795
 Matson Michael Studio coml artist
NUTMEG ST INTERSECTS
 2727 Culligan Water Conditioning Of San Diego inc 291-0450
 2730 Instant Printing Service 297-2281
 Register Publishing Co program directories 297-2281
 San Diego Tourist Guide publ 295-3785
 2750 Nevenesch Printers Inc 297-2281
OLIVE ST INTERSECTS
 2804 Kettner Radiator Shop repr 296-5171
 2812 Puse n Boots tavern 296-9381

PALM ST INTERSECTS 9

2916 No Return
 2918 Mc Killip Robt
 2920 Raines Wm A
 2932 Vacant
 2942 Ideas Incorporated Repair (Whse) 295-5639
 2955 Grajeda Geo M 291-9018
 2960 Lebeau Tom
 2962 Wright Andrew
W QUINCE ST INTERSECTS
 3002 Colombo Fidel @ 296-2960
 3020 Tommy's Furniture Repair 295-9451
 3028 Bennett Juan B Mrs
 3030 Schoider James G 296-1736
 3032 National Maritims Union 296-5809
 3042 Vermilya Dagmar Mrs 296-1624
 3066 Trans Rent A Car Inc 297-0311
REDWOOD ST INTERSECTS
SASSAFRAS ST INTERSECTS
 8334 Plastic Arts fabricators 296-3415
 3338 Bandanne Art Products art gds whol & mfrs 291-8758
 3338 Fry Danny J 295-4441
 3340 Ramos Ricardo L 298-8988
 3343 Vacant
 3344 Varraso Amadeo 291-3855
 3346 Gonzales Robt
 3348 Sandoval Manuel R 291-4051
THORN ST INTERSECTS
 3420 Coggeshall Albert W plmb & bldg sup 295-2149
 3444 Vacant
UPAS ST INTERSECTS
VINE ST INTERSECTS

LIPAS ST INTERSECTS 15

3554 General Electric Co sls & serv 297-2975
 3564 Lapidary Journal Inc book & magazine publs 297-4841
 3574 Masterlist Inc controlled data 295-4166
 3576 Vacant
 3580 Commerce Publishing Co 296-1161
 3590 Tolle Co The adv agcy 298-7101
 Concept Graphics 298-1161

PACIFIC HWY 1975

PACIFIC HWY—Cont'd
Fed Aviation Administration (Flight Serv Sta) 293-6382
3090 General Dynamics Corp-Elec Div (Plant)
3125 General Dynamics Corp Convair Division (employees cafeteria)
3165 Post Of San Diego (Admin & Genl Ofcs) 293-8986
3225 Vineyard Overhead Doors Inc garage door lifts 298-9961
W SASSAFRAS ST ENDS
3502 General Dynamics Corp Convair Aerospace Division Lindbergh field plant 298-6611
W QUINCE ST ENDS
VINE ST ENDS
3555 Pacific Car Rental 293-2111
3565*Phillips Chasty A 295-0500
3569 Pacific Coast Automotive repair 295-7700
ZIP CODE 92119
3581N ST ENDS
3705 Schwan Trade tools/wheel 298-1061
SUTHERLAND ST ENDS
3877 South Seas Lounge Restaurant cocktail lounge 295-0721
B I D Associates rest oprs 295-0721
3881 Maintenance Warehouse bldg sup hldg & rest 298-8331
3885 Dots Photo Service 295-9924
3886 Pacific Highway Pst Clinic 298-4231
NOELL ST ENDS
3911 Machinists Building
International Assn Machs Silvergata Dist Lodge 65 298-3361
Int'l Assn Of Machinist Dist 50 (Organizing Hdqrs) lab orgn 398-3896
ROOMS
100 Daviss Rtbl Enkh Hay income tax serv 291-6185
101 Vacant
102 San Diego Machinist Building Asst: 298-8801
103 Vacant
106 Graphic Arts International Union Local No 46-B orgn labor 391-1956
106 Silvergata Club social 298-1485
106 I A M Retirement Club social 127 Hfob Key Punch Serv data processing serv 293-3926
201 Vacant
202 American Postal Workers Union lab orgn 299-6630
203 Intl Assn Of Machinists Silvergata Dist 50 (Ofc) 296-2464
207 Lithographers & Platemakers Inc (Union Local 227 296-1556)
STREET CONTINUED
3923 Little R W Co Inc sandblasting contrs 297-3705
ESTUDILLO BEGINS
3987 Whittaker's Furniture 297-3251
3987 Whittaker's Used Furniture 297-3251
WRIGHT ST ENDS
4006 Citizens Warehouse Trucking Co Inc 298-1688
4025 Ball Express trucking 298-4872
4031 Yaso Enterprises coatings & abrasives/wheel 299-7710
4038 Chico's Blueprint Co 298-5310
Tar Stop Inc cigarette filter mfcs 298-4846
BANDINI ST BEGINS
4063 Sav-O-Matic Self Serv Gas 298-6060
Pacific Services elec cbls 298-6060
Pacific Services Laundromat indy self serv 298-6060
4068 Pacific Services Barber Shop 298-6064
COUTS ST BEGINS
4101 Pacific Bent Motel 296-3354
*Smart Lester P 298-8384
4141 K G B A M & F radio sta 267-2293
WITHERBY ST ENDS
BARNETT BEGINS
ENTERPRISE ST BEGINS
SPORTS ARENA BLVD BEGINS
ZIP CODE 92138
4250 Barnett Commercial Center bldg-otc
101 Vacant
195 Satellite Office Service Inc printrs 225-1261
108 Ideal Services typesetting & graphic arts 224-3418
109 Brock Research technical research 224-3318
110 Vacant
112 Vacant
113 Vacant
115 Vacant
116 Vacant
119 Vacant
120 Palenb, K & Associates carpet & drapes als 222-0381
121 Vacant
124 Technical Support Associates Inc data processors 224-3609
126a Asocia Travel inc travel agcy 225-1250
125 Granite Security Systems burglar & fire alarm sys 225-9835
129 Angler's Bait & Tackle bait & fishing tackle ret 222-4013
130 P & T Construction Co genl contr 225-1495
131 Computer Machinery Corp 224-4128

201 Trans Rent-A-Car 297-3766
203 Vacant
207 Trend Western Technical Serv publications 224-3807
209 Retailers Commercial Agency credit reporting 224-3278
222b Gavilan College sch 222-0673
223 Vacant
226 Ocean Market Consultants Inc consulting eng 223-1135
228 Vacant
227 American Financial Of San Diego collection agcy 225-8344
228 Association Benefit Planning Corp life ins 223-8181
230 Medi-Trans Ltd med transcribing serv 225-1297
4297 USo Electronic Sys Engineering Center San Diego 225-4367
US Defense Contract Admn Servs (Dist S D) 225-4731
USo Res Support Ctr Pac 225-2833
General Dynamics Corp (Convair Aerospace Div) (plant 2)
4306 Hans Foreign Car Serv auto repr 298-6575
4320 Walkers Bus & Truck Sales 298-8558
4325 U S Naval Ord Sys Support Ofc (Pacific Annex) 225-5577
4360 San Diego Pipe & Supply Co Inc (Br) 299-7171
4369 Duston Market Equipment 297-3771
Friedrich Refrigerators refig-connl 297-3771
4370 Vacant
4380 Denny's Coffee Shop No 44 298-9438
4386 Acme Trailer Park 296-9674
Vallejo A B 291-4070
KURZE ST BEGINS
4420 Paul Lock Fence Co 298-8869
SMITH ST ENDS
4454 Blue Bell Motel 295-6444
*Sanders Shirley Mrs 295-6444
TEMPLE ST INTERSECTS
4560 Dohrmann Co hotel suprs 297-3583
TAYLOR ST BEGINS
ROSCHEMANS ST INTERSECTS
4606 Complete Transportation Inc auto rentals 298-7183
Crock Taxaco Service 298-7183
4610 Samba's Restaurant 298-0934
4635 U S N Electronics Systems Command S W Div (Whse)
INTERSTATE 5 INTERSECTS
4764 State-Division Of Highways (Mtoe Yard)
SAN DIEGO RIVER CROSSSES
ANNA AV ENDS
4901 Western Fastener Co whol nuts & bolts 291-1024
4902 State Highway Patrol 296-6661
4903 Cypress Construction Co genl contrs 297-3214
Par Lathing Co contr 298-6603
Van Wiler B W Inc plastering contr 298-6603
Pierce & Rahm Enterprises contr- plaster 298-6603
4909 Republic Van Lines Of San Diego Inc moving 298-9915
4941 A E C Tile Co ceramic tile contrs 297-3941
Coronado Stone Co Of San Diego cast stone mfcs & distr 298-6858
4943a Schwartz M M Co screw contrs 297-1761
4941b J W Electric Co contr 291-4380
4941c Astor Realty Supply Co & Astro Sign Co signs 299-3322
4955 Belmont Laundry 298-9736
INTERSTATE 5 INTERSECTS
SAN DIEGO RIVER CROSSSES
OCEAN VIEW DR —FROM 4960
OCEAN BLVD NORTH EAST
ZIP CODE 92109
604 Hauscar Fred J @ 488-8578
610 Hauscar C Theis @
615 Cape ansor D @ 468-3255
616*Beha Geo @
622 Wilson Charles A 273-3886
622a Crenshaw Thos E 488-5934
631 Buck Barbara T Mrs @ 488-5900
634 Barnhill Robt 270-2147
639 Brewster Wm E 488-1046
640 Hill Joseph L @ 488-1905
645 Cardinal John @
646 Johnson Paul R @ 270-2453
681*Gonzalez Donald P 270-0651
682 Knaz Robt @ 488-1450
687 Ward David J @ 484-4613
688 Matthews Richd W Jr @ 488-0451
686*Corneilus R L 488-1751
668 Weirman Phylis A Mrs @ 488-3630
PACIFICA DR —FROM 5500
BOLEDAD MOUNTAIN RD ROUTE
ZIP CODE 92169
4546 Miller Melvin D @ 274-0320
4556 Freeborn Guy H @ 272-9746
4566a Williams John A 273-3917
4676 Weaver D D @ 274-7946
4906 Davis James M @ 272-6237
4909 No Return
4910 Duerksen Wm @ 274-6547
4914 Lovell Jim @
4917a Kronberger Wm H Jr @ 275-7656
4918 No Return

4992 Gardiner Grady V @ 273-3328
52A AV AUSELMO ST INTERSECTS
29071c Ducous John H @ 272-9590
4936 Vacant
4938*Hewitt C L @ 272-1815
4939 Whitely Leo J @ 273-5786
4942 Davis Lawrence L @ 273-6304
4943*Smith Shaha @
4944 Hoidal John J @ 274-5008
4944*Short Robt C @
4949 Williams James R @ 273-5551
4950 Bertlett Ronald D 272-8020
4953 Special Joseph V @ 274-6446
4954 Lee James M @ 272-1567
4957 Branin Patk I @ 274-4957
4961 Long Gordon J @ 274-0816
4962 No Return
4965 Bennett Wm K clo infr agt @ 273-6908
4969 Taylor John G @ 273-8707
4973 Snyder Ellsworth O @ 274-0256
4977 Wong David Y @ 274-4056
4980 Lenhard Ron @ 274-7829
4981 Duhal Rhm J @ 274-5329
4985 Sheppard Scott @ 275-2244
4986 No Return
4989 Stocker Joseph P 274-1764
4993 Vacant
LORING ST INTERSECTS

5001a*George Chris H 274-7310
5004 Graham Mary G Mrs @ 582-6155
5007 Smith Ray T Jr 272-5603
5008 Nies Geo K @ 273-8678
5013 Greenbaum Richd H @ 274-6304
5016 Harrington Lyman L @ 274-1011
5019 Burns Richd R @ 274-9267
5022 Bushell J @ 274-1122
5025 Larson Al L @ 274-6384
5030 Landa Victor H @ 274-5154
5031 Diller David H @ 274-1907
5032 No Return
5037 Larrabee John A @ 274-2415
5044 Eklund Jill B Mrs @ 274-3498
5045 Nething Edwin J @
5045 Vano Paul @ 272-1911
5052 Foster Marquerite E Mrs @ 273-1683
5055 Beach Paul L @ 273-1100
5060a*Thomas Carl E @ 272-3277
5062a*Quick Blaine B 273-2839
5071 Rammers Jerry K @ 274-3841
5072 Boyle Rose D Mrs @ 274-4745
5079 Bangs Louis L @ 274-4672
5080 Metz Sheldon E @
5088 Biaylock Albert J @ 274-4740
5089 No Return
5098 Brink Boyan A @ 273-4610
5097 Jabinson Esther Mrs 273-9891
5102 Bernd Paul @ 273-0330
5102 Colopy Glenn J @ 274-2892
5108 Gaudry Edoardo M Mrs @
5111 Robinson Robt F 273-8164
5116 De Land Roy O @
5117 Wales Robt D @ 274-4580
5123 Hicks Marilyn L @ 273-8913
5126 Brantz Emanuel E @
5129 Del Bens John V @ 274-7831
5132 Goodrich Murray H @ 273-1804
5135 Greenwood Harold @ 270-1818
5138 Vaques Horace A @ 273-1246
5141 Lucas Benj J @ 273-4386
5144 O'Neill James P @ 276-8220
5147 Shephard Max L @ 273-0691
5158 Mac Donald Joanne 274-2613
5163 Leib John E @
5168 Mazzone Walter F 274-9376
5169 Mc Calland Roy H @ 273-6897
5182 Lucas John E @ 273-5490
5185 Kubias Fredric F @ 273-3564
5188 Hartman Saml F @ 274-4933
5171 Sebaugh Frank D III @ 276-4383
5174 Burchard Norman W @ 273-2463
5177 Nicks John @ 274-8998
MAYFIELD INTERSECTS
5205 Elliot Michl M @ 274-0012
5215 Pierce Elliot N @ 270-9878
5228 Dodson Edith E Mrs @ 272-6348
5228 Hughes Herbert G @ 273-8322
5235 Kimura James T @ 273-3845
5236 Schmitt James E @ 273-0454
5243 Paul Robt E @ 273-8972
5251 Davis Thomas G Mrs @
5259*Hendricks Linda @ 272-5453
5266 Viles Veler L @
5271 Davis J Wm @ 270-3939
ALTO CERRO CIR INTERSECTS
5305 Cooper Robt H @ 273-1981
5315 Sattler John @ 276-8915
5326 Dahl Frank C @ 274-1465
5336 Totale Heimer T @
5340 Burnett Raymond E @ 272-1475
5345 Roe Craig W @ 273-6073
5355 Thomas Wm H @ 273-1368
5365 Yelsocky Robt J @ 274-6718
5370 Mecklenburg Richd K @ 273-6209
5375 Hale Danl W @ 273-8918
AVENIDA FRETA INTERSECTS
5376 Evans B R @ 274-8526
5520*Miller Richard A @ 270-7485
5532 Kotarsch John P @
5544 Vacant

PADUCAH DR —FROM 3400 CADDEN
DR NORTH
ZIP CODE 92117
3811 Geogtion Wm T @ 274-7013
3821 Wavre Robt A @ 276-1887
3831 Trozzo Saml R @ 274-5964
3841 Parsons Edwin F Jr @ 274-4154
3851 Tapp Joseph R @
3851 Roman Wait C @ 271-6336
3826 Jedd Joseph G @ 271-2094
3855 Palero Danta A @ 566-1968
3838a*Camp Carlton @
3845*Chamberlato Ronald @ 566-5421
3846 Vacant
3855 De Vincenzo Ronald V @ 566-0816
3855a*Watkins Saml 566-0279
3865 Waite W P Jr @ 566-0646
3868 Bower Wm E @
3876 Downey James J Jr @ 271-1950
3757 Glauson Thos L 271-7756
3796a*Beiden Wm E 566-5475
3767 Dandberg James 566-0056
3776a*Castro Tena @ 566-0459
3777 Mc Dowell John @
3786 Schrader Fernando @ 566-0118
3787 No Return
3796 Locke Robt P Jr @ 566-1937
3797 Mc Murray James E 566-0989
3805a*Anderson Lee J @ 566-8425
3806 Beck Clyde T 566-0428
3815*Smith Raymond R Jr @ 566-0181
3816 No Return
3826 Roman Wait C @ 271-6336
3826 Jedd Joseph G @ 271-2094
3855 Palero Danta A @ 566-1968
3838a*Camp Carlton @
3845*Chamberlato Ronald @ 566-5421
3846 Vacant
3855 De Vincenzo Ronald V @ 566-0816
3855a*Watkins Saml 566-0279
3865 Waite W P Jr @ 566-0646
3868 Bower Wm E @

3861 Steinmann John H @ 274-1657
3868 Benedictus Convent Of Perpetual Adoration 274-1030
3905 Skordas Ralph @ 274-2089
3916 Rockwell Florence H Mrs @ 270-2387
3925 Dean Dodge H @ 274-4533
3936 Haskell John Jr @ 273-1514
3945 Seales Donald W @ 273-2976
3955 Jones Robt @ 270-0545
3965a*Smachowski Thaddeus @
3975 No Return
3978 Walsh Michl J @ 274-3717
4010 Oxford Keith E
4015 Markarian Agavim Mrs
4036a*Ecker Kenneth 273-6319
4040a*Flynn Bernard F @ 273-7530
4050 Swanson Geo A @ 273-6095
4051 Scott Charles C @ 273-3131
4060 Wright Roy N @ 273-7646
4065 Adams Franklin E @ 273-1036
4070a*Stecker Roy W @ 273-6828
4077*Jamieson Michl D @
4080 Vacant
4080 No Return
4091*Hepton Sharon S Mrs @ 582-1925

PAGE ST —FROM 6100 THORN ST
NORTH
ZIP CODE 92115
3404 Romero Henrietta D @ 582-8155
3410 Wearth Janelle S Mrs @ 483-4774
3411 Kissel David
3418 Watson Michl @
3417 Huntley Merle R @ 582-0778
3422 Steinwand Jack @ 582-2200
3423 Duffy Irving @ 582-9872
3426 Swanson Geo A @ 273-2835
3429 No Return
3434 Yelvington Jack F @ 582-6207
3436 Henry Quentin E 583-1513
3440 Whitcomb Nancy A Mrs @
3441 Barbee Troy W @ 582-2638
3446 Heate Marg B Mrs @ 583-4926
3449 Maupin Charles C @ 583-4618

PAGE PL —FROM 6600 BENSON AV
SOUTH
ZIP CODE 92114
125 Cornellio Frank P @ 284-1147
131 Farmer Robt @ 284-7427
141 Ferrate Edw

PAGODA WAY —FROM 10310 SAN
RAMON DR EAST
ZIP CODE 92126
8528 No Return
8547 Allard Albert 271-1219
8554 Arbuckle Richd B @ 271-1251
8559 George Fyannomotiil A 271-0452
8568 Dickinson Marion S Mrs 271-8282
8571 Lund Floyd C @ 271-1460
8583 Reed Chris E @ 271-0672
8584 Searcy Robt L @ 271-1237
8585 Rognajczyk Chester F @ 566-1978
8596 Sargeant Russell @ 271-1772
8605 Myrick Thos R @ 271-1814
8606 De Vlieg Donald G @ 271-5666
8613 Mattox Wyatt H @ 271-7929
8620a*Therrien Robt @
8621 Rowstra Pedro A @
8629*Thomas Sarah Mrs 566-2928
8637a*Hetschel Allan L 666-4371
BARON DR INTERSECTS
8645 Cluff Dennis J @ 271-1542
8653a*Reeder Mary E 566-9834
8661 No Return
8669a*Ellis Dale C 271-1715
8677 Nicks Wm E 271-0294
8678a*Spragg Ricky 566-7259
8685a*Bum Donald @ 566-3175
8692 Luppel David @ 273-0729
8693a*Trout Wm @
8706a*Zinner Frank
8707 Frost John L Jr @ 271-6073
8718 Thomas Joseph W @ 271-1383
8719 Phillips John L 271-6338
8738 Cook Vernon L @
8738 Halperin Stanley J @ 271-0517
8744 No Return
8747 Genize Fermin C @ 271-1568
WESTONHILL DR INTERSECTS

8756 Downey James J Jr @ 271-1950
8757 Glauson Thos L 271-7756
8796a*Beiden Wm E 566-5475
8767 Dandberg James 566-0056
8776a*Castro Tena @ 566-0459
8777 Mc Dowell John @
8786 Schrader Fernando @ 566-0118
8787 No Return
8796 Locke Robt P Jr @ 566-1937
8797 Mc Murray James E 566-0989
8805a*Anderson Lee J @ 566-8425
8806 Beck Clyde T 566-0428
8815*Smith Raymond R Jr @ 566-0181
8816 No Return
8826 Roman Wait C @ 271-6336
8826 Jedd Joseph G @ 271-2094
8855 Palero Danta A @ 566-1968
8838a*Camp Carlton @
8845*Chamberlato Ronald @ 566-5421
8846 Vacant
8855 De Vincenzo Ronald V @ 566-0816
8855a*Watkins Saml 566-0279
8865 Waite W P Jr @ 566-0646
8868 Bower Wm E @

UPAS/COLUMBIA ST 1975

W UPAS ST--Contd
106*Magoo Irene M 294-4862
120*Struthers E M 294-2579
122*Price Stanley 294-5594

KEYNARD WAY INTERSECTS
702 Murphy Richd D 291-9519
705 No Return

724 Vacant
726*Regner C F 297-2444
728 Ramsey James E
729 Wood W 295-2494

KITE ST INTERSECTS
1307 Rueda Gerald C @ 298-3327
1315 Merrill Eng I @
1360 Skaffdi Joseph @

UNION ST INTERSECTS
STATE ST INTERSECTS
1508 White Gary M 295-4930
1506 Vacant
1510*Maum Michl A 291-1207

UPLAND ST --FROM 1906 60TH ST EAST
ZIP CODE 92114
6036 Harris Arth @
6060 Owen James H @

UPPER HILLSIDE DR (LA JOLLA) FROM 7900 ENCINELA DR EAST
ZIP CODE 92037

UPSHUR DR --FROM 3224 BARNETT AV NORTHWEST
ZIP CODE 92110
2602 Licudan Romeo F 224-2193
2604*Pisana Francisco 224-9751
2608*Manuel Conrado 224-2027

2757*Corpus Sosny 224-6198
2766*Perpetua Salvador 222-1882
2761*Wood Norman L Jr 222-0719
2762 Busabosa Trifano E 225-8185

UPSHUR ST --FROM 1050 SHAFER ST WEST
ZIP CODE 92106
2626 Imperial House Apartments

101*Keye S A 224-9270
102 Vacant
103 Vacant
104 Aurn Joseph
105*Pfeilmeier Richd F 224-4500
106*Clayton Frank

121*Shook Rebecca
122 Wilcox Dwight R 224-2504
123*Porter B 222-4277
124 Marsden Charles S 222-6882
125 Vacant
126 Robertson Roy J 222-4158

SCOTT ST INTERSECTS
2901*Pratt Otis
2901 1/2 Price Larry W 224-2540
2903*Hedgen Fred O 225-8329

ROSCRANS ST INTERSECTS
ARMADA TER INTERSECTS
UPTON CT --FROM 2600 ULRICH ST WEST IN A SEMI-CIRCLE
ZIP CODE 92111
6801 Gross Saml @ 277-3377
6802 Landry E Dag @ 277-4768

FULTON ST INTERSECTS
UTAH ST --FROM 2600 UPAS ST NORTH
ZIP CODE 92104
3404 Dobson Marston M Mrs 295-8766

3411 Anderson Alden H @ 296-8201
3412 Williams Evelyn B Mrs 295-7853
3419 Goodale Lawrence E @ 296-2305
3419 1/2*Mc Carly Arlene 298-8119

MYRTLE AV INTERSECTS
8501 Burke Frank @
8502 Miles Robt @ 295-2020
8511 Shell N Jerdine @ 295-6671
8512 Hars Donald R @ 297-1720

DWIGHT ST INTERSECTS
3604 Elliott Bryce
3605 Marquet Agustin @ 296-5498
3610 Mc Millen John S @ 295-5750
3611 Harral James M @ 295-2946

GUNN ST INTERSECTS
3761 Jefferson Geo O @ 298-5512
3762 Couchman Donna L
3765*Smithson Norman
3770 Jefferson Childrens Center day nursery 298-6383

NORTH PARK WAY BEGINS
3905 Swann Leo D @
3907 Swann Bettye Figure Selan 299-2307
3815 Lyon Radio TV & Utah Electric Co radio & telev repr 295-6350

UNIVERSITY AV INTERSECTS
3927 North Park Club House 296-9832
Hanson L C 296-9052
3930 Collection Bureau Central 291-0964
3933 Ryan Cath 295-9026

3935 Crawford Edwin P
3935*Jacobs Helen L Mrs 294-7062
3937 Vacant
3938 Antaki Tarasa E Mrs 296-0369
3938 1/2 Murphy Mary E Mrs 291-2883

3940 1/2 Ribau Edw J. 296-2675
3941 Vacant
3945 No Return
3947*Turner Bruce 291-0629
3950 Callstrom Bert

3953 Scholz Arletta M Mrs @
3954 Bradman Ralph E
3956 Anderson Freda J @ 298-2870
3959 Holcomb Ernest 298-0697
3960 Popov Harman @ 295-9967

3960*Wilson Melva Mrs
3961 Beale John F 291-5278
3961 1/2 Mills Margie L Mrs 295-5952
3963 Nagel Lorenia E 295-6211
3967 Maest Rita J 299-0912

3978 Apartments
1 Olson Milton A 291-3694
2 Leroy F E
3 Kitteringham Hazel J @ 295-2475
4*Madine Thos P
5 Harvell Betty Mrs

3984 Apartments
1 Vernon Zola Mrs
2 Roe Wm A 295-4758
3 Clegg Mary E Mrs 295-7015
4 Vacant
5*Butten Hooper F Mrs
6*Fround Edw 298-5593

4020 Arcadian The apt
1 Vacant
2*Sege D G Mrs
3 Jones Nell Mrs 297-0677
4 Vacant
5 Vacant
6 Marx Elias 298-6216

4026 Bruner Maria G Mrs 296-0542
4027 Apartments
1 Mc Ehinay Jewell M Mrs 292-6170
2 Dubois Ben R 291-0491
3*William Nassiri
4 Fleck Edw T 290-4465
5 Lower James I. 292-2290
6 Hamilton Erva M Mrs 294-4887
7 Vacant
8 Burton Alan H 294-5007

VINE ST 1975

780

VILLA LA JOLLA DR (LA J...Contd
8521-g Bolan Steven J 452-7858
8521-h Lever J E 453-6127
8522 Apartments
8523-a Hines Sandra L 452-8893
8523-b Abrams Ariane 453-9258
8523-c Blomberg B
8523-d Bomder D
8523-e Smith M
8523-f Hodder Arth J III 453-6553
8523-g Hfinger Ginger K 453-5183
8523-h Shore Herbert B 453-9254
8523-i Leadlay K
8523-j Harris Arth V 453-1869
8523-k Garrois Jim 453-6542
8523-l Vacant
8523-m Apartments
8523-n Vacant
8523-o Townsend Toinette S 452-1464
8523-p Smith Robt 453-0866
8523-q Vacant
8523-r Shelley John M 453-8615
8523-s Vacant
8523-t Nelson K P 452-8025
8523-u Stanger Peter F
8523-v Huppert Donl D 453-1637
8523-w Baber Mark 452-8528
8523-x Ripoll Pedro 452-1607
8523-y Vacant
8523-z Apartments
A Vacant
B*Eudik Edw J 453-9679
C Vacant
D*Becker Leroy H 453-8221
E*Menz Luis 453-9661
F*Dikey Saml S 453-4414
G*Borders Steph 453-8637
H*Manning Gerald S 453-8171
8524 Apartments
8524-a Canna Jeffrey T 452-9053
8524-b Bratt James M 452-9061
8524-c Mc Candless G
8524-d Hoffman Joan S 452-1556
8524-e Schwartz Brad L 453-7587
8524-f Accord C D 452-8252
8524-g Vacant
8524-h Hinderstein Michl W 453-5657
8541 Apartments
8541-a Horst Barbara A 453-4969
8541-b Fridovich M
8541-c Fountain Beth 453-5092
8541-d Toor Jaswant S 453-0662
8541-e Yellowhorse Shirley 453-1150
8541-f Vacant
8541-g Tinker Fred A 452-8041
8541-h Russo Peter M 453-8233
8545 Apartments
8545-a Frigon Ron 553-7579
8545-b Vacant
8545-c Smith John H 453-0733
8545-d Satz L 453-1687
8545-e Ejima Soeki 453-9423
8545-f Chauxmano A
8545-g Mucillo Vincent III 454-5591
8545-h Vacant
8551 Apartments
8551-a Vacant
8551-b Vacant
8551-c Trojanowski Anthony E 453-3099
8551-d Delistray D
8551-e Olivia Joseph 452-8162
8551-f Vacant
8551-g Buck Robt B 452-9328
8551-h Vacant
8551-i Apartments
8551-j Jaynes Gary 453-1436
8551-k Grove L
8551-l Spertell Robt B 453-9084
8551-m Simmons J 453-9048
8551-n Azam Farooq 452-9178
8551-o Vacant
8551-p Fahle Paul E 452-1469
8551-q Greg Diana 452-0722
8551-r Mc Govern John J 452-9160
8551-s Ozley Sus S Mrs 453-3218
8551-t Paterson Jeanne L
8551-u Vacant
8571 Apartments
8571-a Weand V A 453-1426
8571-b Janke Robt J 452-1674
8571-c Handloser Havelin R 453-7022
8571-d Clynes M
8571-e Schmidt Donald A 453-6002
8571-f Hoesterey Kim 452-0938
8571-g Eckert Thos E 452-9791
8571-h Browning D G 452-9682
8571-i Vacant
8571-j Husson Frank Jr 453-1438
8571-k Grinberg Mike M 453-7401
8571-l Pillius R W
8581 Apartments
8581-a Rand Carl W 452-0177
8581-b Antonio Franklin P 453-9879
8581-c Radonaki Gerald P 453-5429
8581-d Greene Georgia M Mrs 453-8497
8581-e Berkley E 453-2467

8581-f Welsh Raymond M 452-8537
8581-g Vacant
8581-h Vacant
8581-i Bowersox K
8581-j Vacant
8581-k Curtice L Lee
8581-l Weber B
8581-m Burke Wm T Jr 453-4558
8581-n Weeks John A 453-5904
8581-o Osterad Blarnee 453-7668
8581-p Stegner D
VIA MALLORCA ENDS
HOLIDAY CT BEGINS
LA JOLLA VILLAGE DR INTERSECTS
8939 Crocker National Bank (Torrey Pines Br) 453-4483
Centre City Travel Service (Torrey Pines Br) 453-6080
VILLAGE PL -FROM ZOO DR EAST 1 NORTH OF EL PL 82
VILLAGE GLEN DR -FROM 3327 GLENCOLUM DR EAST 851
ZIP CODE 92123
9690 S D City Recreation & Parks Dept (S M Rec Cntr) 278-4022
RUFFIN RD INTERSECTS
VILLANOVA AV -FROM 6569 DENNISON ST NORTHWEST 169
ZIP CODE 92122
3209 Way Todd D @ 453-4918
3210 Jett Paul S @ 453-2267
3224 Kell Terry J @ 453-7783
3225 Kopels Gerald E @ 453-3871
3237 Stickle David R @ 452-1154
3238 Latorre Anthony V @ 453-0946
3233 Gifford James R @ 453-9596
3254 Santillan Saml B @ 453-5321
3269 Machuzak Joseph @ 453-5296
3270 Estes Beverly L @ 453-1180
3285 Carlson Thos L @ 453-8068
3286 Paa David F @ 453-6134
3298 Stanger Nick J @ 453-3590
3299 La Grange Mark C @ 453-4208
3327 Agueda John S @ 453-2754
3328 Applestein Neil J @ 453-5839
3345 Locko Serge S @ 452-1042
3346 Christensen Maylon F @ 453-1487
3363 Lee John @
3366 Toth Louis A @ 453-7845
3385 Watkins Dudley C @ 453-5747
3386 Wilson Glenn E @ 453-5406
3430 Colletti Vincent M @
3431 Kuttler M D Jr 453-5458
3432 Schroeder Rex I @ 453-4048
3443 Vaux Richd W 453-2086
3448 Vacant
3449 Spong Fredk W @ 453-5141
3515 Vovinkel Russell C @ 453-2376
3516 Whitehead Carolyn L Mrs 453-4126
3527 Crahan Patk J @ 453-1317
3528 Ruetgers John J @ 453-3883
3544 Shapiro Philip A @ 452-0230
3545 Rettig Charles L @ 453-0041
3584 Gary Ron D @
MERCER ST INTERSECTS
DENNISON ST INTERSECTS
VINCENTE WAY (LA JOLLA)-FROM 89
8400 ELECTRIC AV EAST
ZIP CODE 92057
404 Smith Bradley H 459-5320
405 Rudnick Philip @ 454-7459
411 Cohn Aida 454-1404
412 Bushman Wm L @ 454-1215
419 Hansen Terry @ 454-7027
420 Brown Everette R @ 459-5638
427 Floyd Charles E @ 454-2982
428 Lanphier Elsa A Mrs @ 454-0049
438 Johnson James D
DOWLING DR INTERSECTS
531 Gobar Neal J 459-7867
533 Hendel John M 459-0119
VINE CT -FROM 1/2 BLK WEST OF 750 S 29TH ST EAST 26
ZIP CODE 92113

VINE ST -FROM 3550 UNION ST WEST 9
ZIP CODE 92103
1405 Josseland Vera D 297-0704
1405-f Vacant
1412 Vacant
1417 Vinyard Fred A @ 296-1134
1420 Walker Peter C 299-4319
1421 Wilkinson Moritz H Mrs @
1430 Day Robt P @ 295-4854
1438 South Ruby C Mrs 295-5040
1440 Mc Cardle Harriet E Mrs 295-6109
1442 Poole Wm 291-0194
1449 Wells Charlotte R Mrs @ 295-6561
STATE ST INTERSECTS
1501 Vacant
1511 Polizotti Lei 297-1433
1515 Pierce Danl W archt @ 291-9163
1516 Saville Leta M Mrs @ 296-3090
1524 Ludwall James S 295-0800
COLUMBIA ST INTERSECTS
INDIA ST INTERSECTS
VINLEY PL -FROM 6200 DEL CERRO BLVD NORTH 240
ZIP CODE 92120
5725 Threlkeld Dale @ 583-4015
5738 Glazer Sydney @ 583-0975
5739 Vacant
5750 Lamb Warren E
5755 Gossman Jacob A @ 583-4823
5762 Parnigiani Salvador A 287-6563
5767 Wright Timothy @ 287-9275
5774 Flemer Diane Mrs @
5783 Baghy Harry F @ 582-1838
LAMBDA DR INTERSECTS
VIOLA ST -FROM 1286 MORENA BLVD EAST 127
ZIP CODE 92110
GERTRUDE ST INTERSECTS
1308 Trombly Robt N @ 276-1956
1315 Gallo Helena J Mrs @ 276-7553
1320 Kildare Barney W @ 276-0478
1325 Hafner Wm W @ 276-2637
1344 Michalek Stanley J @ 276-8346
1345 Aberico Mary A Mrs @ 276-1614
VIOLET ST -FROM 1 BLK SOUTH OF 4182 SYCAMORE DR NORTH 202
ZIP CODE 92105
2502 Peabody Edwin E @ 284-2840
2504 Ruczewski Rob S 282-9190
2507 Harvey Eva N Mrs @ 284-0594
2510 Stevenson James M @ 283-5299
2511 Harvey Delmar J @ 280-7677
2518 Harrigan Fredk E @
2519 Witek Fredk J @ 283-8477
2524 Roach Thos @ 284-5826
2525 Sullivan Peggy M Mrs @ 281-2065
2530 George Robt V @
2535 Hyde Marta Mrs 283-4130
2536 Oliver Weldon C @ 281-0237
2537 Andrew David 281-0813
2540 Wilkerson Roy C @ 282-9360
SYCAMORE DR INTERSECTS
2544 Holzappel James R 280-8395
2547 Pernicano Geo J @
2548 Molly's Childcare Center 281-2372
Liberatore Molly L Mrs @ 281-2372
PEPPER DR INTERSECTS
2554 Rose Charles
2556 Choate Robt J @ 284-6202
PEPPER DR INTERSECTS
2560 Choate Jeanette C Mrs @ 284-4597
2564 Paine Joseph @ 282-3745
2568 Jacobs Marvin P @ 281-8009
2571 Snyder Olga M 283-2531
2572 Riley John M 284-0577
2576 Thompson Clark @ 284-6080
2580 Mayberry Leroy H @ 283-4272
2581 Tepe Sway
2583 Mc Grath Thos 282-8703
POPLAR ST BEGINS
2508 No Return
2514 Van Buren Grace W Mrs @ 284-3906
2522 Vacant
2523 Wright James H @ 284-0427
2524 Robey Freda Mrs 282-5808
2525 Vacant
2529 Amesworth James @
2529-f Vacant
2531 Ivie Maggie Mrs 280-5609
2532 Andresen Theo M @ 281-1475
2534 Vacant

2537 Beam Orville A 280-3360
2539 Otis Gerald 282-9668
2540 Breslin Erma Mrs 284-6093
2543 Vacant
2546 Mc Clellan Gerald F 282-5527
2548 Cattrell Gary 284-6440
2549 Donahus Goldene Mrs @ 282-0870
2550 Vacant
2551 Vacant
2552 Vacant
2556 Mc Kenzie Raymond
2561 Convery Geo M @ 281-1388
MANZANITA DR INTERSECTS
POPPY PL ENDS
VIRGINIA AV -FROM 6560 BLK ACORN ST NORTH 148
ZIP CODE 92115
4567 Durrman Dwayne A @
4568 Kern Joseph R @ 583-6766
4575 Savel Joseph S @ 582-2650
4576 Seidel Geo A @ 583-3838
4583 Zane Stanley D @ 286-2529
4584 Rodriguez Christopher J 287-5507
4591 Bolin Wm G 583-1976
4592 Singer Paul A @ 287-8246
4611 Mendoza Judith T Mrs
4612 Smith Paul K
4617 Butler Clyde F @ 582-8422
4618 Zito Joseph J @ 582-3970
4623 Loman Esther H Mrs @ 583-7153
4624 Little Gary D @ 286-0286
4629 Snavely Le Roy 582-3738
4630 Penle Marilyn S Mrs @ 583-3682
4635 Schaner Alex @ 582-7035
4641 Butler Frank O @ 582-7541
VIRGINIA WAY (LA JOLLA)-FROM 7600 GIRARD AV NORTHEAST 153
ZIP CODE 92037
TORREY PINES RD INTERSECTS
1027 Glets Heinz Autohaus Inc auto dlr 454-7187
HERSCHEL AV INTERSECTS
1105 Barrett Murray J
BLUE BIRD LA INTERSECTS
1120 Alkanin Joseph J @ 454-7007
1121 Vacant
1127 No Return
1138 Ward Jack O @ 454-1736
1142 Barre Zita V Mrs @ 454-7623
1155 Penry Willard W @ 454-4958
1156 Lindkvist Ann S Mrs @
1168 Fellows Wendy E Mrs @ 454-7581
1178 Crain Myron J 454-8918
HIGH AV INTERSECTS
1201 Furr Lois A Mrs @ 454-4062
1208 Powers Jesse W @ 459-4664
1211 Price Ernest H @ 459-1406
1214 Kyte Jack 454-9478
1221 Gallagher John J Jr @ 454-1488
1224 Nison Duncan D @ 459-5073
1231 Avison Kath W Mrs @ 454-7891
1236 Logan Roy G 454-0648
1248 Burke John S @
1245 Shannahan Wm 459-7123
1248 Smith Francis M @ 459-5697
1252 Snell Raymond F @ 459-9801
1257 Vacant
1260 Vacant
1263 Thurmond Ethline @ 454-7008
1271 Monk John M 459-7802
1271 Gentry Constance E Mrs 459-6276
1274 Hill Mary F Mrs @ 459-8187
1275 Vacant
1287 Johnson Richd T 454-5267
1289 Andreesen Henning O @ 454-1351
IVANHOE AV INTERSECTS
1301 Luckie Geo 454-6902
1304 Stehr Wolfgang E @ 459-8056
1314 Deeb Mary R Mrs @ 454-6049
1320 No Return
1321 Harring Clarke F @ 459-1475
1324 Kellers Charles F @ 459-6093
1325 Jordan John A @ 459-5080
1328 Stepansk Mark 459-4941
1328 Brown Rosemary E Mrs 459-5475
1345 Marsden Winifred Mrs @ 459-7824
1350 Donaldson Elise @ 454-2697
1351 Booth Richd F @ 454-4006
1352 Gardner John S @ 454-2962
1356 Brandt Millie Mrs
1361 Longenecker Martha M Mrs @
1364 Helfgott Robt H 459-8396
EXCHANGE PL INTERSECTS
1400 Weirather Hal E @ 459-8371
1401 Mullooney Brian 454-2596
1411 Sieber Frederic A @ 459-1368
1414 Mae Intyre Neil R @ 454-8106
1419 De Bolt Wm L @ 459-8159

WALNUT AVE W 1975

788

WAITE DR—Contd
 6808 Norton Martin R @ 287-0106
 6814 Church Wm G @
 6820 Pavillard Ota L @ 582-3843
 6826 Hansen Robt D @
SUFFOLK ST INTERSECTS
 6832 Mayfield Eug @ 583-0472
 6838*Muñoz Dan S @ 287-8327
 6839 Yuhas John F @ 582-9528
 6844 Farmer Geo W @ 582-4642
 6847 Whitmore Richd L @ 582-7430
 6855 Fuson Albert J @ 588-0040
 6863 Williams Eug C @ 582-3090
 6871 Schaffer John A @ 287-0255

203

WALKER CT —FROM 2890 LARKIN PL EAST

ZIP CODE 92123
 9052 Winters John M @ 277-0672
 9064 Clowsey Perry @
 9076 Massey Giles R 278-6936
 9088*Lovell Nancy J
WALKER DR INTERSECTS

203

WALKER DR —FROM 8100 DOLLY PL NORTH

ZIP CODE 92123
LARKIN PL INTERSECTS
 2708 No Return
 2717*Fusa Robt @ 565-0839
 2725 Vandeveld Thos J @ 278-5463
 2733 Farina Nick 565-0847
 2734 Eidsen Robt L @ 278-4778
 2743 Fitzpatrick Richd J @ 278-0813
 2750 Williams Geo @ 278-7096
 2753 Lyness Jackson C @ 278-4386
 2762 Smith Norvell R @
 2763*Smith Robt
 2772 Fox Sandra Mrs 278-6486
 2773*Waldrop Herbert @ 565-9611
 2783 Morants Frances V Mrs @ 278-5676
 2784 Brands Bernard R @ 278-3651
 2793 Bush Roscoe R @ 278-5109
 2794 Manning Richd L @ 568-9347
 2801*Fortin Mark S 565-9427
 2802 Medley Robt E 277-2532
 2811 Ryeer Vernon C @ 277-4936
 2812*Derouen James @
 2821 Chmielewski Edw A @ 278-5810
 2822 Oehler Charles S @ 278-5689
 2831*McCrocklin Andrew 278-7528
 2832 Nalwalker Peter @
 2841*Bradley M
 2842 Gilley David R @ 279-7366
 2851 Ferris Glenn H @ 278-0276
 2852 Shuffler Harley B @ 277-7605
 2861*Klemm Wayne @ 580-1128
 2862*Kraemer Thos
 2871 Bujnorowski Henry
 2872*Larkin John
 2881 No Return
 2881 Kaplan Theo @ 278-5018
WALKER CT INTERSECTS

546

WALKDEN LA —FROM 8750 VERLANE DR NORTH

ZIP CODE 92119
 8708 Mc Carthy Eug C @ 465-0643
 8710 Hubbs Howard L 460-0290
 8711 Stewart Linnie E 463-5625
 8717 Corbin Floyd E @ 460-4154
 8718 Perez Manuel @ 463-8732

153

WALL ST (LA JOLLA)—FROM 7900 GIRARD AV EAST

ZIP CODE 92097
 1006 City Pub Library (La Jolla Br) 469-5174
 1008 Athenaeum Music & Arts Library 454-5872
 1026 La Jolla Mortgage Fund mtge Investments 458-4044
 Southland Investment Corp mtge loans 494-4044
 Washington Lands Inc real est development 459-4046
 1030 King Solomon's Oriental Rugs rug als & est liquidation 459-4443
 1032 Vacant
 1035 Walker-Scott Co dept store 459-3321
 1041 La Jolla Variety Store 459-5336
 1044 Security Pacific National Bank (La Jolla Br) 459-4311
 1061 Ginder's La Jolla Sporting Goods 459-3369
HERSCHEL AV INTERSECTS
 1100 Freedom Foundation At Valley Forge patriotic org 454-7674

La Jolla Federal Savings & Loan Assn 454-0744
 1101 Anchor Realty Inc 459-3344
 1107 Diet Foods 454-4556
 1109 Coffee Cup The restr 454-2819
 1111 Collector's Cottage Antiques
 1113 Mat Gallery art 459-8447
 1115 Nitty Gritty Greenery indoor plants & pots 454-2219
1117 Sheppard Building
ROOMS
 1 Vacant
 2 Harrison John A dentist 459-1660
 3 Beardley John M genl mdse 454-7815
 4 Margolin F M psychologist 454-1818
 5 Gregson Realty (Br) 454-0387
 1119 Wall Street Barber Shop 459-6909
 1121 Poor Daffodil Shoppe needlepoint suvs 459-1011
 1122 La Jolla Book Shoppe 454-2187
 1123 Quigley & Associates home interior remodeling 454-2264
 Quigley Bruce real est 454-2284
 1125 Shearson Hayden Stone Inc stock broker 454-4264
 1127 Spirit Shops liquor & wines 454-8282
 1128 La Jolla Music 459-3375
 1129 Carrie's Old Time Flower & Etc Shop florists 454-2766
 1181 Allen Willis M Co real est 459-4033
 1140 U S Postal Serv (La Jolla) 454-7139

188

WALLACE CT —FROM 3890 LOGAN AV SOUTH

ZIP CODE 92113
 912 Ochoa Maria 262-7952
 916 Ortiz Rachael 263-4521
 920 Gallardo Dominador @ 264-1592
 927 Boswell Eug @ 262-5436
 930 Duran Hospicio @ 264-7632
 931 Chacon Modesta Mrs @ 264-3053
 941*Avery Linda Mrs 264-2228
NATIONAL AV INTERSECTS

23

WALLACE ST —FROM 2800 CONGRESS ST NORTHEAST

ZIP CODE 92110
 3876 Navarro Amado 281-7641

25

SAN DIEGO AV INTERSECTS
 4016 Hamburgues restr 295-0584
CALHOUN ST INTERSECTS
 4136 Presidio Hills Golf Course 295-8476
JUAN ST INTERSECTS

546

WALLSEY DR —FROM 8700 WALKDEN LA NORTHEAST

ZIP CODE 92119
 8803 No Return
 8804 Line David G @
 8814 Mc Cubbin Thos F @ 461-1321
 8815*Henderson Milton C 469-8285
 8823 Hughes V R @ 466-4305
 8824 Gullledge Vernon L @ 461-2007
 8836 Boucher David G @ 463-3961
 8847 Valiquet Jacques J @ 463-9135
 8848 No Return
 8858 Arnold Donald L @
 8859 Atkins Michl D @ 461-6569
 8867 Brown Ralph G Jr @
 8868*Cluse John O @ 461-5758
 8880 Kovacic Geo D @
 8881 Sosa Frank A @
 8890 Gibbs W Sherman @ 465-5354
 8893 Brown Edw J @ 466-2573
 8901 La Vack Lloyd @
 8902 Sauvajot John B @ 469-2790
 8909 Jenkins John T @ 465-7376
 8914 Young Clyde H @ 463-2867
 8915 Falej Gladys Mrs @ 465-8082
 8921 Measei Martin @ 466-4216
 8922 Miller Harry W @ 469-0821
 8929*Lazernik Eliz 462-7013
 8930 No Return
 8935*Sherrill Eleanor @ 466-1585
 8938 Lavin Dora Mrs
 8941 Mucha Thos @ 469-7938
 8946 No Return
 8947 Aldrich Arth G @ 466-4470

106

WALNUT AV —FROM 3500 1ST AV EAST

ZIP CODE 92103
 115 Apartments
 A Farries Anna M Mrs 291-5887
 B Benteon Ruth S Mrs

C*Soloff Geo 291-6167
 D*Jester J 291-9790
 E Nottingham Earl R
 F*Richards Chris 291-7128
 G*Castell Frank 297-0973
 H*Burnstein Sarah C Mrs 291-7638
 119*Weeks Mickey J
 134*Ewing Michl 290-3451
 140 Grosvenor House apts 298-1303
 2a*Scudder John C 295-0478
 2b Sutter Zeda A Mrs @ 297-0660
 2c Flanagan Wm J 298-1303
 2d*Whelan Frank H 295-3676
 2e*Brenner Sophie G Mrs 297-2769
 2f*Teacher Isadore 291-7175
 2g Damas Dorothy L Mrs @ 295-7512
 3a*Leach Margt J Mrs
 *Williamson Jack C
 3c*Carter Herman 295-4310
 3d*McGraw Vincent
 3e Schweiger Milton B @ 297-0092
 3f*Stewart J Potter 295-5404
 3g*Felix Douglas
 4a*Connor Louise W Mrs 295-6885
 4b*Todus Louis A 298-8772
 4c Hott Robt D 297-1315
 4d Newland Hubert T 298-0768
 4e*Steiner Peter R 298-1847
 4f*Revels Margt D Mrs 299-5530
 4g*Olafson Richd P
2D AV ENDS
 205 Berger John A phys 295-2147
 207 Stella Salvatore L phys 291-7730
 211*Mc Dowell Richd D 299-9415
 226*Davis Hermione Mrs

406

3D AV INTERSECTS
 305 Schiefer Wm E dentist 291-1181
 Lauer John C dentist 291-1181
 306 Walnut Professional Building
 306 SUITES
 25 Tyler Michl J dentist 298-2893
 26 Brockett Pavel & Hendrix dentists 299-3920

506

31 San Diego County Dental Society prof orgn 291-4090
 32 Lueck Bernard W dentist 299-3560
 36 Plastic & Aesthetic Surgical Center 297-4433
 36 Moore Lawrence T phys 297-4433
 36 Pickering Paul P phys 297-4433
 36 Viechone Thos K phys 297-4433
 315 Armstrong Charles B dentist 297-2954
 Watson John A dentist 297-2896

106

WALNUT AV W —FROM 3500 1ST AV WEST

ZIP CODE 92103
 101 Sakata B 299-8320
 103*Carpora James 299-2078
 105*Mc Kinney Susan L
 109*Anker Constance F 295-5730
 111*Averman John E 295-4935
 117a O'Neill Steven
 117b*Pulium Michl
 117c*Tucker James
 119 Apartments
 1*Mc Clain Charles M 291-6248
 2*Manayo M
 3*Cartowski Rosalis
 4 Vacant
 5 Vacant
 6 Kovar Anna E
 7 Vacant
 8 Gebauer Oscar
 130 Williams Ronald J 291-5537
 134*Ewing Michl
FRONT ST INTERSECTS

413

205 Kline Alice B Mrs 298-8417
 211*Schwartz L R Mrs 297-0580
 230 Apartments
 A Hudgins Irene 295-7291
 B*Deniski Roman P 298-8473
 C No Return
 D*Wallis Frank E 298-9072
W WALNUT AV ENDS
ALBATROSS ST INTERSECTS
 315 Vacant
 321 Webb John 295-8215
OTSEGO DR INTERSECTS
 606 Zink Melba S Mrs @
 615 Kundra Tom J 299-9180

623

HAWK ST INTERSECTS
 1004 Tucky Robt E @ 295-0363
 1012 Farnsworth Charles C @ 295-7944
 1021 Robinson Charles W 296-2892
 1025 Jones Mary K Mrs @ 296-3396
 1041 Enright Patk J @ 296-1672
IBIS ST INTERSECTS
 1141 Austin Phil @

18

JACKDAW ST INTERSECTS
 1300*Hippo Anthony J
KITE ST INTERSECTS
KURTZ ST INTERSECTS
 1802 Ocampo Ralph R 296-4339
 1833 Schlappi Eliz R 295-1640
STATE ST INTERSECTS
LARK ST INTERSECTS
UNION ST INTERSECTS
 1608 Vacant
 1617*Hills Paula F 291-9435
 1617 1/2 Nelms Paul E 298-3743
 1621 Brown Clair W @
 1623 Vacant
 1624 Haertig Laura
 1626 Lefournaise Bettie 298-3221
 1627*Jeppen Bill 296-1741
 1629*Eliz Dennis 291-3624
 1631 Roome Fred T 298-7673

FALCON ST INTERSECTS
COLUMBIA ST INTERSECTS
 1703 Hayes Melvin B 291-5129
 1703 1/2 Conti Ron
 1709 Davis Harry M @ 295-9114
 1711*Nod Gary 295-9350
 1717 Gregory Jon C 291-1593
 1719*Davis Florence 299-8165

406

KETTNER BLVD INTERSECTS
 ZIP CODE 92101
 1949 Arts & Crafts Press coml printers 297-0261

174

WALSH WAY —FROM 5300 DROVER DR EAST

ZIP CODE 92115
 5105 Nepl Wm @ 582-5976
 5112 Blumer Sara Mrs @ 583-5263
 5115 Reynolds Robt C @ 583-6940
 5127*Frebzonick Joseph @
 5138 Drexler Robt B @ 582-8919
 5139 Welch Reuben R Rev @ 583-7305
 5151 Grawunder Ralph M @ 583-1244
 5152 Silverman Irving @ 286-1226
 5183 Kallander Eliz C Mrs 583-1327
 5184 De Vita Lewis & Son prod brokers 582-6645
 De Vita Anthony J @ 582-8645
 5173 Foster Geo H @ 583-2945
 5174 Johnson Arvid T @ 583-3624
 5183 Ellman Harry @
 5184 Greenstein Herbert @ 286-1654

544

WALTER AV —FROM 6706 WINONA AV EAST

ZIP CODE 92120
 4907 No Return
 4908 Turner Patricia R Mrs @ 583-7727
 4919*Ludwig Robt W 583-5652
 4920 Gear Ed C @ 582-9019
 4931 Buchy Paul Jr @ 583-6120
 4932 Zidlicki Rudolph J @ 582-8376
 4943 Easterly Steve 582-7523
 4944 Johnson Kennard H @ 582-1410
 4955 Adams Leo W @ 583-1904
 4956 Brance Paul M @ 583-8283
 4967 Mars Russell W 583-8818
 4968 Martin Frances Mrs @
 4979 Constant Geo @ 583-9694
 4980 Vacant
 5007 No Return
 5008 No Return
 5019 Suchar Michl @ 582-8761
 5028*Stevenson Stewart 287-0935
 5031 Loftus James H @ 286-0636
 5032 Morris Lester M @ 582-5297
 5048 No Return
 5044 Burak Jack 582-4959
 5055 Nygaard Evelyn Mrs @ 583-1685
 5056 Adams James J @ 582-4258
 5087 Christianson Orland V @
 5088*Wolfe Donald A 286-0776
 5079 Wetzel Paul E @ 296-1949
 5080 Christensen Dwain L @ 583-5146
51ST ST INTERSECTS

623

WALTON PL —FROM 4831 OHIO ST EAST

ZIP CODE 92116
 3057 Agner John H @
 3060 No Return

11

CALIFORNIA ST 1966

248

CALHOUN ST--CONTD

2794 CASA DE PICO MOTOR HOTEL
HOTEL 293-7160
CARDWELL FRANK K *
---TAYLOR INTERSECTS
---WALLACE INTERSECTS

----- 903
CALIFORNIA ST --FROM 880 W MARKET
NORTH

----- 902
---BROADWAY ST INTERSECTS

----- 951
---BEECH INTERSECTS
1501 C C R TRANSFER CO (WHSE)
---CEDAR INTERSECTS
1612 GARRETT LILLIAN MRS
1620 AARCO INC (WHSE)

----- 1
---DATE ST INTERSECTS
1824 FEITY WM B ROOFING CO (WHSE)
230-8274
1930 RAIMITRES JOHN 234-1932
1932 SOLOGNA PIETRO * 232-1984
1948 BODD BONNIE G 234-2E26
---GRAPE ST INTERSECTS
---NORTHORN ST INTERSECTS

----- 5
---IVY ST INTERSECTS
---JUNIPER ST INTERSECTS
---KALMIA ST INTERSECTS
---LAUREL ST INTERSECTS
2272 SALMON JOAHNIN 234-5210
2280 GOLDMAN CHARLES R
2360 BELVEA TRUCK CO TRUCKING
239-2133
---MAPLE ST INTERSECTS
2391 MURPHY MAURICE C * 295-3866

----- 9
---PALM ST INTERSECTS
2921 FONTAIN CHARLES
2929 DELANEY PATK J 298-0672
2941 VACANT
2970 VALDEZ MANUEL M
---QUINCE ST INTERSECTS
3005 MARTINEZ TOM A
3015 VACANT
---REDWOOD ST INTERSECTS
---SPRUCE ST INTERSECTS
---SASSAPRAS ST INTERSECTS
---THORN ST INTERSECTS
3553 EASTMAN KODAK STORES INC
EQUIP & SUP 297-AE51
3596 BATEMAN T O CO CHEM MFG
295-0041
CHARCOAL DISTRIBUTORS
295-0041
---URAS ST INTERSECTS
---VINE ST INTERSECTS

----- 15
---ALNUT AV INTERSECTS
3630 VACANT
3633 APARTMENTS
1 VACANT (APTS 1-81)
9 LETT JOE H 298-A386
3636 LITHOTYPE 298-4550
3645 VACANT
3650 ANNING-JOHNSON CO ACOUSTICAL
CONTRS 297-1638
---BEAN ST ENDS
---CHALMERS ST INTERSECTS
---WINDER ST INTERSECTS

----- 21
---WASHINGTON ST INTERSECTS
---MC KEE ST INTERSECTS
---PRINGLE ST BEGINS
3871 CEE CEE'S MARKET ORD
298-7835
3873 FAMILY VILLAGE THE AUTO
COURT 296-6737
PATTEN BOB F 296-6737
PARKS HERMAN
---SUTHERLAND ST ENDS
---LA JOLLA ST BEGINS
3911 MC MULLEN CUIVIER M *
295-4830
3919 HUSEN EDWIN M * 298-2464
3922 WILSON ERVIN * 296-6052
3926 VIERZ EMILY O MRS 298-5977
3928 KIRKLAND MARIE
3929 APPLE HELEN 298-5279
3931 BANE JOHN R
3935 PINE ANGELINE E MRS *
296-3289
3938 PARKER MARY MRS 296-2645
3951 PASSMORE BEVERLY MRS *
---HENRY ST INTERSECTS

CALIFORNIA ST W --FROM HENRY WEST
TO WHITNEY CONTINUATION OF
CALIFORNIA

1907 HUFFMAN R EUG * 295-1356
1917 RICKON FRED J * 296-4779
1925 ASCHBRENNER GENE F *
295-8984
1931 HILGEMAN ROY A * 295-7956
1948 HALL RICHARD * 297-1451
1958 GIACALONE JOSEPH * 296-6429
2025 WOTTON ALBERT H *
2031 VACANT
KENNY AGNES MRS * 298-3270
2017 BURKHARDT JAMES A * 298-7096
2025 PATTERSON HAROLD L *
298-5670
2026 ANTHONY G K * 297-2167
ANTHONY GEO K * 297-2187
2031 SATTER NEIL S * 295-7267
2037 GIBSON CLARENCE E * 295-6456
2049 ALEXANDER MILDRED ORGAN
METHODS INC MUS TCHR
298-5355
COONS JAMES C 298-5355
2045 SHAW HOWARD I JR * 295-4445
2049 VACANT
2050 SLAYTON H RICH * 298-1283
2051 WETLESTONE ROBT H *
295-1438
2061 GAINES PAUL * 298-3245
2047 TAYLOR HAROLD J 295-5707
2069 GRISSE RAML 298-1269
2070 VACANT
2074 HUIR WM D * 298-1447
2075 INLO * CLARENCE W 298-2013
2077 VACANT
2095 VACANT
2095 CHARTRES-MARTIN LOUISE MRS
296-4651
2097 LEPPER ORVILLE O * 296-1106
2098 AVALOS GARY 298-7556
---BANDINI ST INTERSECTS
2120 WILKE ALTA MRS *
2111 ENGLEHART REBA C MRS *
295-9347
2120 DAVEE CLYDE O * 296-2452
2121 BAIRD KATHRYN C MRS *
295-9192
2127 ERICKSON GAYLORD S *
298-5106
2137 MARVIN NEAL K 296-4288
2143 PHILLIPS MAUDE M MRS *
295-3581
2146 CHOWNING THOS J * 296-0422
2149 NUSSEY HERBERT V
PETTIS BURGESS
2151 SHOVEN HAZEL B MRS *
2152 COLLIER HOMER M * 296-2173
COLLIER HAROLD M * 296-2173
2166 BUSALACCHI MARIO J *
298-6457
2169 WESSELL NANCY E MRS *
295-4419
2171 GILL FRED S JR 295-9742
2174 MONSEES RALPH G * 298-2976
2175 WILCOXON JAMES T JR *
295-2529
2186 DAVIS ROBT L 298-6486
2191 STEWART EDMUND T * 295-0956
3926 VIERY EMILY D MRS * 298-5977
3942 WETCHEN PRUD H * 295-7094
3965 VACANT

----- 252
CALLE AV (PO IMPERIAL BEACH)--FROM
17TH W I N OF CEDAR (FOR
OCCUPANTS SEE SUBURBAN
DIRECTORY)

----- 180
CALLE ABAJO --FROM VALLEY RD NORTH
1 WEST UP END OF RED DR

----- 180
CALLE AGUADULCE --FROM 6100
CUMBERLAND SOUTH S EAST OF RED
DR
2411 RICE JULIA J MRS * 479-3743
2412 BARRIOS GILBERT * 479-3948
2420 HYATT CHARLES E * 479-3853
2426 KRAFT HERBERT H * 479-5267
2434 RUSSELL PATK J * 479-5195
2440 CULLEN HOWARD D * 479-3598
---CALLE TACON BEGINS
2441 LAHEY WM F * 479-0465
2446 MACK HAROLD E JR * 474-1364
2451 HICKS LAWRENCE E *
2452 SCOTT HAROLD A * 479-3595
2457 SHEPARD ERNEST G * 479-5348
2458 DAVIS CHARLES R * 474-2980
2463 BREWER VERNON M * 474-2829

2466 OLDHAM LARRY M * 479-1887
2469 SOLE WALTER R JR * 479-2801
2478 KALA PETER C * 479-3947
248A GANZER RAYMOND W *
2490 HILLS KENNETH * 479-3304
2491 KRAL FRANKLIN * 479-2998
2504 DOUGHTY ELLEN V MRS *
479-2999
2505 NEWTON FLOYD * 479-2996
2514 BLACKWELL HIRSHON D *
479-5986
2529 DOLMAGE VERN L * 474-1823
2534 HILLS HAROLD A * 479-3457
2535 PONCAVAGE WM A *
2544 ESKRIDGE ARTH W * 477-7491
2545 HARRIG EDWIN L * 479-3246
2553 GUYER PAUL A * 474-1878
2554 CREAMER HAROLD C 479-2697
2563 NO RETURN
2573 VACANT

----- 180
CALLE ARRIBA --FROM MORNINGSIDE DR
1 SOUTH OF RANCHO HILLS DR
5881 VACANT

----- 73
CALLE BREVE (PACIFIC BEACH)--FROM
BALBDA AV NORTH 1 WEST OF PICO

----- 180
CALLE CASAS BONITAS --FROM
MORNINGSIDE EAST 1 SOUTH OF
RANCHO HILLS DR
5705 DEWENT LAURENCE E * 474-3038
5722 BIRAMONTES FELIX A *
474-6260
5732 HUMBERSTON KENNETH A *
5742 NO RETURN
5745 SHOUSE WM K 474-5902
5752 BLANKENSHIP DONALD R *
477-7769
5762 DRURY WM H * 474-1891
5772 ERPENBECK EUG * 477-6706
5782 JOHNSTON ANDREW L * 474-8462
5812 EARP LEROY D *
5820 SULLIVAN WALTER R * 477-0527
5840 VACANT
5860 RODRIGUEZ GONZALO H *
474-2437
5879 THOMPSON LEWIS L * 477-2337
5885 STUART JULIA G MRS *
474-4371

----- 236
CALLE CHANATE --FROM 2100 CALLE
CANADA EAST 1 BLK 1 SOUTH OF
ALLEGHANY
2216 ASHLEY WM R * 479-2427
2241 POLMER CARROLL W * 479-0501
2204 VACANT
2401 NALE CECILIO P 479-3810
2408 PATRICK ROBT H
2409 HICKEY JOHN L 479-0295
2416 PENN ELMER E * 479-5550
2417 SPIOTTY JOSEPH * 479-2204
2424 OXON CARMEN C * 479-4650
2425 VACANT
2433 PALMER TED L * 479-4750
2435 VACANT
2440 ELSHER NAT P * 479-0244
2441 HUGGARD DOUGLAS J * 479-5054
2450 KYZER CARLISLE P *
2451 CHILDS FLOYD W *
2458 BOWLIN GEO W * 479-4800
2459 HOEY JAMES A JR * 479-0362
2467 BERLING BRUCE H * 479-5900
2468 BELL ROBT N * 479-5468
2475 KINCAID JAMES E * 479-3286
2478 BEUERLEIN FREDK F * 479-3059
2483 BROWN REX D 479-4285
2491 KOENIG GREGOR H * 479-0806

----- 101
CALLE CHIQUITA (LA JOLLA)--FROM
AVENIDA DE LAS ONDAS EAST 1
NORTH OF CALLE CORTA
2316 MC REYNOLDS ANDRE * * *
45A-5305
2326 BENNETT LARRY O * 459-5994
2337 JARECKI RUSSELL C * 459-1221

----- 155
CALLE CLARA (LA JOLLA)--FROM EL
PASO GRANDE EAST 1 NORTH OF
AVENIDA LA PLAYA

COLUMBIA ST 1966

COLUMBIA ST--CONTD
APARTMENTS--CONTD

K PFLIGER ROBT
L STUARD BARBARA
M STONE HOWARD
N VACANT
2555 HEBEL ROLLIN E * 239-6921
2567 HEBEL HARRIS
2569 LANE JOHN E
---MAPLE ST INTERSECTS
2601 VACANT
2603 VACANT
2619 MALLOW THOS W *
2621 PETERS BERNICE H * 296-3642
2629 ROGERS MARIE MRS
2629 1/2 KOLMAN EDW
2639 HUSBAND REGINALD F *
295-7963
2643 SMITH LEONARD C 298-8460
2653 CRAM RALPH
2655 BOYER DUANE M 295-4678
2657 VACANT
2669 NEILL LOUISE MRS * 297-2752
---NUTMEG ST INTERSECTS
2703 WALTERS JOHN
2705 CONAWAY JOHN D * 298-2467
2715 STANLEY ETHEL MRS * 295-3018
2727 O'CONNOR ARNOLD *
2729 PIERCE LELAND S JR 296-3405
2732 IRDING MICHL T 298-5235
2737 ZIZZO VINCENT J 298-0559
2739 WHITE JAMES E
2741 ZIZZO MARY MRS * 295-1196
2744 MIDDLEBROOK R PHILIP *
295-5084
2753 WILL CLARK D * 297-2679
REAR VACANT
2756 JONES ELSIE D MRS * 295-1894
2758 MATH GENEVIEVE MRS 296-4296
2768 VACANT
2773 NO RETURN
2801 MELLODY JOHN D 298-5377
2803 VACANT
2805 FULLER DALE R 295-4566
2807 CHARLTON MARY A MRS 298-5762
---OLIVE ST INTERSECTS
2811 DEGENHART GEO J * 298-9178
2816 PHILLIPS RICHD
2818 GROSS ARCHIE 296-2017
2825 BONHAM HARLEY L * 295-5380
2827 PIERELLI PATK 298-6445
2830 FENWICK E BERNICE MUSIC TCHR
296-4467
FENWICK ELMER E * 296-4467
2831 VACANT
2833 DELLENEY ANGELA MRS
2835 BELLA WM L
2837 VACANT
2840 BANDA RAFAEL F * 295-5786
2849 WULTZ SAM 296-0327
2851 VACANT
2859 COLLA LILLA MRS * 295-6311
2864 MORRISON ROY F * 295-7046
2869 PICKENS THED JR * 296-4225
---PALM ST INTERSECTS
2901 BAY STATE APARTMENTS
VACANT
2903 CRQLICK GEO R 295-8854
2905 VACANT
2907 SAMS MARTHA 298-7646
2909 VACANT
2911 VACANT
POTHER PETER
2913 WILLIAMS JOYCE S MRS
2915 BERNHEISSL KAREN P
2917 ECHLIN HENRY M 297-2061
2919 KIDDER HARLAN D * 297-1360
2921 KINGERY CELINE F MRS
296-3384
2929 VACANT
2930 PIERCE BEATRICE D MRS *
298-3136
2940 LITTLEPAGS RUSSELL S
295-2770
2950 BARNES MARJORIE MRS
2952 MANDOGIAN O 291-0278
2954 WALLENDORFF HAROLD J *
295-2294
2955 CARROLL BRUCE W
JULIEN JOHN D 295-1884
2955B MURPHY PATRICIA 295-6137
2964 NORRIS PEARL O MRS *
295-3726
2965 WILLIAMS AMANDA O MRS
295-1866
---QUINCE ST INTERSECTS

3002 SANDERS JAMES L
JUMPER ELSIE MRS
3005 FURRY MARGT MRS 295-3281
3007 THOMPSON HARRY
3009 NO RETURN
3011 COLLINS MERRY M MRS 298-8007
3013 TAYLOR HELEN MRS 296-0533
3015 DARISAY MARION 295-2376
3017 JENKINS THELMA MRS 295-0522
3018 VACANT
3019 HAVLEY PATRICIA A
3021 VAN DUSEN VESTA MRS
3023 O'HEIR EDWIN
3025 FARMER ROBT * 295-4288
3027 SILDANO ARMAND
3028 SLLIOTT LONE MRS 296-6733
3029 VACANT
3030 NO RETURN
3031 PFLEEGER MARY E MRS 296-2466
3032 LONG LAWRENCE E 295-2348
3033 YOUNG NANCY
3034 MILLER CARL C * 295-3494
3035 GIBBS ROBT A 298-1789
3037 MC CLAIN WM JR
3038 LORING CAROLYN * 297-2726
3040 CLEAVER CHARLES D 295-3807
3045 MELLUSI JAMES E * 295-7971
3062 WORDEN JOSEPH D
3064 VACANT
3066 CAMERON GEORGIA R MRS
298-9494
3068 VACANT
3225 CHEEK REGINALD
WALCOTT JOE
REAR VACANT
REAR BAKEMILLER MICHL
REAR VACANT
---REDWOOD ST INTERSECTS
3229 STUART ROBT
3242 HUNTLEY MARJORIE T MRS *
298-6015
3243 LYON HAROLD C *
3250 APARTMENTS
1 SHELTON PATRICIA A MRS
2 LOCKE JOHNNIE D
3 LINDEN RUSSELL E 295-5656
4 WARD OWEN J
3260 APARTMENTS
1 VACANT
2 ASHER HAROLD W
3 ZAGER ZELDA
4 EDNEY POLLY MRS
---SASSAFRAS ST INTERSECTS
3310 LAMM DWAYNE
3319 QUINCI VINCENT * 298-6384
3320 ADAMS CHARLES C * 295-6806
3321 PIRD PASQUAL P 297-1216
3330 MILLER RALPH G * 295-7690
3331 JACKSON CAROL C
3333 HALL ROBT K 297-3041
3343 HOBBS HAZEL MRS * 295-6661
3344 GUYTON OMER * 295-5551
STEPHENS ELMER R 295-1963
3345 DE HART HELEN MRS 298-4495
3347 DE MONNER FRANZ
3354 VACANT
3355 VACANT
3356 HUNDHOUSEN GENE H
3357 LANGJAHR MARY MRS 295-8204
3360 BAKER WM JR
3364 VAN BUREN RITA MRS 295-4900
3366 O'CONNELL FLORENCE MRS
295-8378
3368 BRUND VINCENTO * 295-8294
3372 VACANT
---THORN ST INTERSECTS
3429 FERRIS ALF G 298-2754
3431 ELMSTROM GED O
3445 CANALE MYRA O MRS *
3455 CRIVELLO VINCENT * 295-4848
3465 BECKER GARY C 298-4276
3465 1/2 VACANT
3467 TECK ZITA MRS * 296-2601
---UPAS ST INTERSECTS
3504 HORTON W B * 296-0366
3505 PINASCO MARIE C MRS 297-1428
3509 HALCON SALVADOR
3510 EDWARDS GLADYS M MRS
3510 1/2 ROJAS ISRAEL
3512 HOAG FAITH A MRS 295-5433
3512 1/2 WICKERLY TERRY V 295-6996
3513 FOGARTY MARGT MRS 298-8074
3515 MC CAULEY JOSEPH D 295-7219
3516 ROJAS CIRILIO G * 295-7036
3517 VACANT
3518 WIEDE VIRGINIA F
3519 VACANT
3520 VACANT
3521 BAKER ROBT W 296-3812

3523 VACANT
MC WILLIAMS WM H
3525 PALMER FLORENCE B MRS
295-8740
3528 PETHYBRIDGE MAT W 296-1570
3531 VACANT
3535 VACANT
3538 CRISCI JOSEPH * 295-2869
3540 HARBER GILL
3544 APARTMENTS
1 KIRKPATRICK NORMAN C *
297-3011
2 BURNHAM HOWARD M 298-6764
3 ALBRIGHT JOHN C 296-4564
4 VACANT (APTS 4-5)
---GLENWOOD ST INTERSECTS
3602 HANSEN A * 298-7359
3604 FRABBITA JOHN A
3606 VACANT
3608 VACANT
3610 RIDZON JAMES R
3612 CARPENTER JACK A
3614 FRANKLIN BRIAN R
3615 CUNNINGHAM BARBARA A
291-3449
3616 GLADIN LEO L 298-0426
3620 BROWN JOE C * 295-5417
3621 BROWN LAWRENCE H * 295-9666
3622 CONKLIN JOHN
3627 ROWLEY CHARLES G * 298-7405
3629 VACANT
3633 APARTMENTS
A PRIEBE KEN R 295-2740
B ROARK GARY T
C KELLY RAYMOND
D VACANT
E VACANT
F VACANT
3645 SIKORSKI EDNA * MRS 295-8351
---CHALMERS ST INTERSECTS
3652 WILLIAMS MONA E MRS 298-5358
3655 MADDOX JOSEPH A 298-6453
3661 GOLDMANN JOHN G *
3662 TRAYLOR JO L MRS
3663 LITTLE ASTRED MRS MUS TCHR *
296-0343
3665 HOOPER TOMMY W
3667 VACANT
3669 VACANT
3669 1/2 VACANT
3670 PIREZ JOAQUIN M * 296-4947
3671 FRITCH JOSEPH A 298-5407
3677 NO RETURN
3678 VACANT
3680 MOREY JOHN *
3680 1/2 VACANT
3686 EVANS ELIZ A MRS * 295-3892
3687 NILES LUGENIA B *
3688 VACANT
3691 NO RETURN
3691 1/2 VACANT
3693 BRANDON JACK 295-4091
3695 VACANT
---WELBORN ST BEGINS
---WINDER ST BEGINS
3707 WORTHEN LILLIAN J MRS *
295-1502
PARBLEY LAWRENCE D 295-9236
3708 GARZA JOHN P
3710 NELSH GILBERT L
3712 VACANT
3716 LA PAN ERNEST R
3718 VACANT
3719 BOLES W OWEN 295-0550
3720 MULHERIN GED W
3723 CRISCI VINCENT * 295-3872
3730 RETTIE ADDIE R
3731 HUNEZ ALBERT B
3735 VACANT
3744 GEARY SALLY C MRS 298-9732
3745 BUTTKER RICHD J * 296-1647
3746 JAMENEZ JESSE B
3748 EDDY CHARLES O
---ANDREWS ST INTERSECTS

COLUMBINE ST -FROM 2700 FAIRMOUNT
AV NORTHEAST
2680 ENNIS LUCIAN W
2682 VACANT
2684 POKORNEY EVERETT F 284-8439
2715 VACANT
2716 GRISLER ADA L MRS * 281-0881
2722 HANSEN CARL W * 284-1394
2723 BATES ROGER H * 282-7994

GLENWOOD DR 1966

WILMINGTON VILLAGE (RESUBDIV) . . . 40-1430

273-4300

GLENROY ST--CONTD

6827 ROHRER HARRY * 582-9381
6833 HINKLEY F CLARE * 583-5995
6839 DUBOIS ETHEL MRS
6845 KELPIN MARVIN E 286-0550
6851 WEST JAMES T * 582-T246
6859 JACKSON ROLAND S * 583-0352
6860 SCHULZ FRANK K * 583-44T1
6863 HANSEN CARLYLE C * 583-0853
6869 CLEER LESTER J * 583-8619
6870 FLANAGAN THOS J BUSINESS
CONSULTANT * 583-3580
6875 GREGORY WM I * 583-1042
6881 FINOALL CARROLL GENL CONTR *
583-6200
6885 EDWARDS JOHN R * 583-3744
6886 BUCK WM J * 582-4772
6889 SOSNA LOUIS M * 583-5231
6892 PACKER LOUIS * 582-0138
6893 PACK HARRY M 582-4508
6897 GRIN BENJ R * 582-9141
6898 OLIVE WM T * 582-9065
---IRWIN AV INTERSECTS
6902 HARDIN WILBUR G * 582-4034
6903 VACANT
6908 ROBERTSON WILBUR R *
582-8399
6909 HILLIS ROBT F * 582-9058
6914 BECKMAN KEITH * 583-4925
6915 WALFORD JOHN D * 583-0656
6922 STRAIT ROBT O * 582-9142
6923 MORLEY DAVID G * 583-1374
6928 PETERSON EARL W 583-2429
6929 HOFF EDWIN J PNTR * 583-1885
6936 BROOKS MARVIN D * 582-0681
6942 ZOFFKA GEO L * 583-5916
6945 GARFF STEPH N * 583-80T2
6948 MABEE HELEN MRS * 583-4574
6954 ROZHONG DONALD V 582-9539
6955 OLETZ ERNEST W * 583-7959
6960 HASENAUER EDW J * 583-306T
6965 LAKIN WM H * 582-9188
6966 BILSICKI PETER A *
6975 STEVENS WAYNE E 583-2861
7001 VACANT
7004 GALLIK ANDREW * 583-0258
7012 MACINNESS IAN C * 286-3330
7020 IBARRA HERBERT * 582-9296
7028 HICKS W KENNETH * 583-07T3
7036 REVELL E WAYNE * 583-0816
7044 BENYR WALTON R * 582-9270
7052 GEORGIN NICHOLAS * 583-110T
7060 SUNNAR JAMES W *
7068 ANDERSON GENE * 583-6325
---QUONDEE AV BEGINS
7074 DELGAGILLO MARGT E MRS *
582-9609
7082 LAWRENCE EARL V * 582-9659
---ELGIN ST BEGINS
7090 OONAVON WM * 582-9135
7106 SCHILLING GORDON * 582-9303
7116 ARMANTROUT JOHN W * 582-0764
7126 FARRINGTON CHARLES E *
582-9424
7136 NASH ELTON E * 582-T823
7146 SOLSBAK ROBT H * 582-1528
---FORBES AV BEGINS
T156 GAGNON RENE J * 583-6564
7166 CYR GEO W *
7176 VACANT
T186 MILLER RICHD V *

GLEN VIEW LA (LA JOLLA)-FROM 7221
LA JOLLA BLVD EAST

T11 KLING STANLEY A * 584-6503
721 VANARD EFFIE MRS
728 HOWARD FRED R * 459-5432
T33 JOHNSON DOROTHY MRS
JOHNSON OORIS M MRS 454-7108
738 MOSES EDW *
743 VACANT

GLENWICK LA (LA JOLLA)-FROM
BORDEAUX AV WEST 1 NORTH OF
DUNWAY DR

8675 SCHMINKE PAUL * 453-2474
8695 HYATT THOS M * 453-3951
8696 NO RETURN
8704 VACANT
8720 HARMAN ROBT J * 453-3212
8721 KUEHL JOHN C * 453-2133
8735 VACANT

8736 BENNETT CHARLES R * 453-2968
8750 TEMPLETON FLORENCE M MRS *
453-2522
8751 WEBB SYRGN S JR * 453-2283
8765 OAKLEY JACK M * 453-4432

GLENWICK PL (LA JOLLA)-FROM
GLENWICK LA NORTH 1 WEST OF
BORDEAUX AV

2T11 ARRHENIUS GUSTAF O *
453-2255
2T21 BAGLEY MARIE L MRS *
453-0365
2T22 BRIDGMAN CHARLES F *
453-1969
2T31 BURKS DOROTHY 453-038T
2734 PRESTON JOHN C * 453-418T

GLENWOOD DR -FROM 35TO UNION WEST

1504 WALTON JEAN B MRS * 296-1826
1505 DALY HELEN A MRS * 295-T323
1507 VACANT
1511 VACANT
1512 SPEAR WM * 294-3883
1519 BUTTON MELVIN H * 298-5129
1525 BRIDGES EDW I 295-995T
1530 AINSWORTH STANLEY T 295-T828
1531 THEBERGE GASTON 295-4904
1533 BRASS PETER T 295-4496
1535 DAVIS MERLE E * 295-505T
1537 PORTER LILY P MRS *
---STATE ST INTERSECTS
1602 EPPENBERGER MABEL MRS *
298-8639
1610 HART CORNELIUS H * 295-8170
1616 MILLER DAVID L
1620 VACANT
1624 MC HENRY KENNETH E 295-2558
1626 LITTLE STELLA M MRS
1628 SCRUGGS MANUEL O
1628½ WILLIS JANICE
1630 VACANT
1632½ VACANT
1632 MC KASSON JAMES A
1633 VACANT
1634 GARONER LEVI T
1636 SWEET RANDALL
1704 VACANT
1705 HAVENS JAMES C
1706 VACANT
1708 VACANT
1709 ELMORE GEO S T98-5185
1711 HORNER HENRY H
1712 VACANT
1715 VACANT
1716 ERWIN EARL J
1716½ VACANT
1720 VACANT
1720½ VACANT
1722 BARLOW DONALD E
1722½ WHARTON CHARLES B
1724 ANDREWS EZELL
1724½ VACANT
1730 GIAMMARINARO JASPER 295-T733
1732 BRIGANTE JAMES
1734 VACANT
1736 VACANT
1738 VACANT
1740 TERRAMAGRA JAMES J *
297-2759

GLIDDEN ST -FROM LINDA VISTA RD
EAST 1 SOUTH OF KRAMER

6401 NO RETURN
6415 VACANT
6429 VACANT
6443 NO RETURN
6457 VACANT
64T1 LINDSAY CLAUDE T INC REAL
EST SUB DIVIDER 2TT-5665
ACRO REALTY 277-4850
6821 DARELIUS HAROLD V * 2T7-0103
6822 BENNETT KARL E * 2T7-5237
6831 VACANT
6832 TIGNOR FRED L * 277-6098
6842 HADSER JOHN L * 277-2605
6849 WADDELL ROBT L * 279-2554
6852 HINRICHS CARL J * 2T7-4391
6855 FREE WILL MISSIONARY BAPTIST
CHURCH 278-4550

---COOLIDGE ST INTERSECTS
6911 MARCH ELDORA P * 27T-1611
6911½ LICHT DONALD V * 2T7-8088
NO RETURN
6921 BECKMAN LOIS L *
6922 GONZALEZ ALFONSO * 27T-5518
6931 GOODWIN RAYMOND I 2TT-B108
6932 SCHWARTZ ALBERT C * 27T-4932
6941 KABAT RICHD W 2TT-498T
6942 SISKA STANLET *
6951 VACANT
6952 LOIURIU LAWRENCE G 2TT-8248
6961 CRABE EARLE M 2T8-5680
6962 BLADES GUY W 2T9-1006
6971 VACANT
69T2 TITTLE REESE D * 2T7-3929
6981 HENSON WM L 277-8189
6982 WILSON LA VERNE K * 2T7-2690
6990 BERTAGNA ALBERT A * 27T-8TTS
6991 LATHROP PHILLIP E
6992 VACANT
6995 RUSH DON E

GLORIA ST -FROM FRANKLIN AV SOUTH
BET S 48TH AND S 49TH

305 CARTER JOHN L * 262-1349
307 VACANT
310 GROSS JOHN D GENL CONTR *
264-3T55
GROSS ROSE P MRS
314 VACANT
321 PATTERSON ANDREW C 263-1839
322 JOHNSON OPHEIL MRS
324 PRESSLEY WM *
325 QUINCE VITO * 264-4251
326 VACANT
328 ROBERSON BENNIE
332 JONES RALPH * 264-9395
332½ FOSTER ALF
333 VACANT
342 WILLIAMS SAML * 264-07T8
342½ BENNETT JULIE 262-8226
343 WATERS TUCKER 262-5628
344 BRADFORD ETTA MRS
346 JONES NANNIE P MRS 264-2329
348 BRDWN OCIE
350 VACANT
352 JACKSON DOROTHY J MRS
282-062T
403 JOHNSON JAMES 264-5620
406 WARD GLORIA P
408 NO RETURN
410 NORMAN JOANN MRS 262-6360
411 FULFORD DAVID 262-8486
412 BERRY FREDDIE E MRS
412½ RAYMOND MIKE F
414 THIBODEAUX LEE 264-1290
416 SMITH GRACE S MRS
418 FLANNIGAN ROBT 262-0216
420 ROBERTSON GEO H 262-0283
420½ NEAL RENEE MRS
423 VACANT
424 ROMER ANTHONY R * 264-9045
425 ROBINSON WALTER 263-1642
427 VACANT
429 SPICER LENNIE W 264-2855
444 LEWIS WM B
---OCEAN VIEW BLVD INTERSECTS
1211 VACANT
1220 NO RETURN
1221 ROBINSON JULE L *
1230 CARTER SYLVESTER * 264-1316
1231 RYAN WANDA E

GLORIA LAKE AV -FROM LAKE ADLON
OR SOUTH 3 WEST OF COWLES
MOUNTAIN BLVD

7713 MILLER DONALD R * 463-3402
7723 FLEMING ROBT J 466-1120
7733 HATCH BOBBY L
7743 VACANT
7753 KINGMADE FRANCIS E JR *
465-2002
TT63 BERNOSK RICHD C * 465-5125
7773 WOODRUFF FREDK P * 463-1232
TT83 PASTMAN NORMAN D * 466-1994
7811 GE MEINER CHARLES A *
469-3294
7821 GORDON LAWRENCE L * 469-8894
T831 POWELL WARREN S * 465-0584
7841 SADNICK GLENN H * 469-7761
7851 DU BOSE BILLY L * 465-T561
T861 KUNTZ RICHD L *

INDIA ST 1966

514

INDIA ST--CONTD
213-4300

1753 ROMA INN TAVERN 233-085T
1802 SALDANA JULIAN F 234-1067
1804 BALISTRERI JOHN S 239-8283
1806 BALISTRERI ANTONIO 239-4765
1808 BALISTRERI PETER 233-6T36
1823 DE SANTI TINA MRS * 232-5780
1823 1/2 STRAUSS RAMON
1827 VACANT
1837 ADAMO NICK * 232-5545
1839 VACANT
1844 WASHING MACHINE PARTS CO
PARTS RET 232-T871
1845 AIRKEM SALES & SERVICE
DECEBRANTS WHOL & DISTR
232-9242
TAITT GEO & CO MARINE SUPS
232-9242
1847 TER-BEAR AVIATION CO
AIRCRAFT PARTS 233-6129
---FIR ST INTERSECTS
1910 STASCH PHILIP S 234-8990
1917 CAMPBELL ADVERTISING AGENCY
239-5179
NELSON PHOTO SUPPLIES
23A-6761
1920 ALSCO LINEN SERVICE LNORY
234-7291
OUT-TEX SERVICE JAN SUP
RENTAL 234-7291
1943 BALISTRERI FRANK 239-5424
1949 SARONA THOS * 234-4254
1953 TY'S PRINTING & BLUEPRINTING
SERVICE 234-6787
1961 INDIA STREET TORTILLA SHOP
239-9731
1971 C'EST SI BON CAFE RESTR
239-1530
---GRAPE ST INTERSECTS
2015 VACANT
2016 BRITISH MOTOR SALES BODY
SHOP AUTO BODY REPR
232-2723
2027 MUSCIO JOSEPH 239-3676
2029 CHINERA MARTINO 233-8T15
2030 VINCE'S BARBER SHOP 239-0966
2031 GARGANO PIETRO 234-1397
2032 APARTMENTS
1 MENDEZ RENAN R
2 L'HEUREUX WM A
3 GUTIERREZ THEO R 232-0250
4 HARRELL E A
2033 D'ACQUISTO PHYLLIS MRS *
239-8808
203A MILTRONIC CO ELECTRONIC
EQUIP DISTR 233-6385
2036 BAINS JOHN A 234-2914
2043 VACANT
2045 BUSALACCHI FLIPPO 239-5601
2046 VACANT
2048 VACANT
2060 MILD OF CALIFORNIA INC
ELECTRONIC EQUIP 232-8951
2061 LEONARDO'S CAFE ITALIA RESTR
234-A893
SAN DIEGO IMPORTING CO FOODS
239-5367
---HAWTHORN INTERSECTS
2101 BRICENO JOHN V 233-0889
2102 HAWTHORN SERVICE GAS STA
232-3404
210A MILLAR'S AUTOMOTIVE SERVICE
AUTO REP 232-3404
2107 VACANT
2111 BATTAGLIA JACK 233-6503
2115 ZIZZO BART
2119 MENDIGORIN SAL V JR
2130 VACANT
2131 VOA FAAS4
2131A VACANT
2132 ROSARIO GIACALONE MRS
2134 MOTISI ANNA MRS 239-3302
2138 D'ANATO FRANK 234-0415
2138 1/2 VACANT
21A0 GRASSA NICCOLE
2140 1/2 SPURLOCK BRYAN L
2142 VACANT
21A2 1/2 BIGNONDI RITA MRS
21A4 SCIUTO SAM 232-1635
2144 1/2 INGRANDE DEANNA MRS
2148 DROWN CHARLOTTE MRS 233-0297
2157 MOORSTEEN MANUFACTURING CO
FURN 234-9151
---IVY INTERSECTS
2202 GARCIA PETER G 232-0472
2206 ASARO MARY MRS *
2215 VACANT

2220 BRITO ABEL * 232-6076
2230 ASARO ANTONIO * 233-1150
2236 MIKE'S SHOE REPAIR 233-3847
2240 GANGITANO MICHL * 233-3840
2270 TAYLOR'S AUTOMOTIVE SERVICE
234-9090
---W JUNIPER INTERSECTS
2304 CANEPA MARY MRS 232-5566
2305 RUBBER SPECIALTIES CO HDW
239-5857
WESTERN FASTENER CO RETAIL &
WHSE BOLTS & NUTS 239-8148
2306 ZOLEZZI GIOVANNI 239-5006
2307 RICE W J CO PRINTING SUPS
239-0224
2314 VACANT
2315 EMERY AIR FREIGHT FORWARDER
232-3191
SHAKER EXPRESS DELIVERY DEL
SERV 232-9129
2316 CRESCI GAETANO * 232-5570
2317 VACANT
2326 CRESCI JOHN * 233-1505
2328 PIRANIO PETE * 233-3958
2329 SATON JOSEPH C 232-7247
2345 VACANT
2347 VACANT
2352 VACANT
2355 HIGGINS JOHN P AUTO REPR
233-3373
LUTZ CARL L OYBOARD MTRS
233-3373
2361 AVIATION LUBRICANTS CO INC
239-5155
CUCKLER BLDGS STEEL BLDG DLR
239-5115
2367 VACANT
---KAMIA INTERSECTS
2400 CITY ORV CLNS 234-6509
2404 MC LEAN CO THE REAL EST
234-8444
2418 AGUIRRE TRINIDAD MRS
232-0373
2420 MORPER SHIP PICTURES PHOTOG
232-0373
MORPER OATNER S 232-0373
2422 VACANT
242A GIACOLONE GENE MRS
2424 1/2 QUITNEY HARLEV
2426 CALE RONALD P
2426 1/2 SCHMIDT JOSEPH
2428 NAIMAN ERNEST W
2428 1/2 WHEELER RUTH MRS
2430 BRARREY BENJ
2430 1/2 GRANAM JOHN
2438 ASARO ANN MRS 234-3022
2440 44REN P W
2442 YDATS EILEEN MRS
2442 1/2 WINTERS STEVE
2444 SANO GERALD 239-5396
2446 SARDO SAML * 233-3976
2454 VACANT
2456 VACANT
2458 CASTRO MARTINO 232-3289
2466 FALCONE UBERTO 232-9229
---LAUREL INTERSECTS
2504 VACANT
2508 GHIO ANNA C MRS 239-7970
2518 GRIFFIN ANN V MRS 233-T950
2520 VACANT
2528 LOZANO ROLAND O
2530 POKORNY ELSIE J MRS 239-5223
2532 CASTAGNOLA CELESTINA
233-8371
2540 SMITH ALEX R
2544 CANEPA JOHN 239-1592
2548 LIUZZI NATALE * 232-8280
2552 VACANT
2554 RAYMOND JOSEPH W
---MAPLE INTERSECTS
---NUTMEG INTERSECTS
---OLIVE INTERSECTS
2801 VACANT
2805 ALLEN BEATRICE MRS 297-2706
2815 WATSON RICH D
2837 SMITH GARY H 296-4851
2839 VACANT
2849 VALDEZ HILARIO 295-7379
2867 VACANT
2869 KING'S CHARLES E
---PALM ST INTERSECTS
2903 GRINDL SOPHIE J MRS *
296-1810
2907 BOHANNON EDW G 298-5138
2909 VACANT
2921 VACANT
2923 ROGERS JERRY A

---QUINCE ST INTERSECTS
3009 SILVA ERNEST P * 296-6840
3033 HAMMOND MACHINERY & SUPPLY
CO 298-6155
3051 VACANT
3053 PHIPPS ALICE L MRS *
297-2062
---REDWOOD ST INTERSECTS
3103 COMPLETE RUG & UPHOLSTERY
CLEANERS 296-0152
RAFFEE'S CARPETS CLNS
296-0353
3129 PORTER NENRY R *
3141 VACANT
3153 PUGH HAWTHORNE 298-A301
3167 MURPHY SIGN SERVICE 296-6918
3171 B-BAR-S CHUCK WAGON CATERING
SERV 298-7045
3175 SWING TNE COCKTAIL LOUNGE
296-6789
---SPURCE ST INTERSECTS
3211 PARSONS G S CO WELDING EQUIP
298-8801
3225 VACANT
3231 PARSONS MEDICAL GAS INC
OXYGEN 296-6339
3241 HALF WAY HOUSE MAINTENANCE
297-1573
3243 ORRAB ROBT H 29T-4961
3245 VACANT
3265 OO-ALL SAN DIEGO CO MACH SUP
295-2145
3365 AERO CLUB TAVERN 297-3097
---SASSAFRAS ST INTERSECTS
3341 BENNETT ARDELLA MRS
3341 1/2 FISHER RUBY M MRS
3343 VACANT
3343 1/2 JACKSON WM T
3345 JOHNSON KENNETH L
3347 VACANT
3353 PETERSON JOSEPH J
3355 APPELMAN PAUL G 295-4361
3365 NO RETURN
3367 WALCO SUPPLY CO GENL MOSE
297-4541
---THOR ST INTERSECTS
---UPAS ST INTERSECTS
3503 WELCH WALTER E 295-1980
3505 JACKSON HARRY G REAL EST
296-4411
3507 POUND PAUL F 298-4582
3509 VACANT
3511 VACANT
3519 BRADY NAZEL R MRS * 298-9790
3519 1/2 VACANT
3521 CATTLEDGE HARVEY M 298-8574
3523 VACANT
3525 WILLIAMS MARY S
3527 FISHER ROBT T
3529 CLIFFORD WM E * 296-4529
3533 VACANT
3535 REAGEN ANTHONY F
3537A GASTELUM EVA MRS
3537B MAYNARD LAURA A
3537C BAYON FRANK JR
3537D VACANT
3541 WONDERGEM GILLIS
3543 CUNNINGHAM JOHN E 297-191T
3545 MYSIOR ILANA 29T-2T92
3547 VACANT
3547 1/2 VACANT
3549 VACANT
---VINE ST INTERSECTS
3555 PHARM MED CO INC
PHARMACEUTICAL SUP 298-7181
---WALNUT AV INTERSECTS
3601 BETTER BUILT TRANSMISSION
SPECIALTIES CO 297-0295
3617 AUTOMATIC TRANSMISSION
SERVICE 297-0251
3623 AUTOMATIC TRANSMISSION
MACHINE & SUPPLY 29T-1601
3633 APARTMENTS
4 RERRY ALF M 298-4401
5 RHODES MITCHELL L
6 VACANT
7 GRIFFITH GRACE P MRS
298-6319
8 VACANT
9 VACANT
3645 FUM-D-VAC CO FURN CLN
298-6151
SAN DIEGO EXTERMINATING CO
298-6151
3661 APARTMENTS
1 VACANT (APTS 1-4)
5 HELSEL NOWARD

KETTNER BLVD 1966

557

KETTNER BLVD-CONTD
 ---HARBOR DR INTERSECTS
 689 VACANT
 629 HOWARTH WM & COML ARTIST
 234-1286
 DISPLAY & DESIGN CO DISPLAY &
 51GN MFRS 234-4412
 639 BRUCE JAMES TYPESETTING
 234-7744
 ---G STREET INTERSECTS
 ---F STREET INTERSECTS
 655 STANDARD BRANDS PAINT CO
 232-3882
 ---E STREET INTERSECTS
 902
 ---BROADWAY ST INTERSECTS
 1005 PUMP ROOM TAVERN 234-9538
 1007 SHIP'S SERVICE JEWELRY &
 NAVAL OUTFITTERS
 1050 ATCHISON TOPEKA & SANTA FE
 RAILWAY CO (TICKET OFCI
 233-8211
 HARVEY PRED NEWS STAND
 233-8211
 ---WEST C ST INTERSECTS
 1110 ATCHISON TOPEKA & SANTA FE
 RT CO (BAGGAGE ROOM)
 233-0945
 1190 R E A EXPRESS 233-T231
 ---B ST INTERSECTS
 1202 BEKINS VAN & STORAGE CO
 MOVING VAN 234-3141
 1241 GRANITIZE AUTO PRODUCTS AUTO
 POLISHING 232-3336
 1254 THOMET SERVICE AUTO REPRS
 232-9830
 1262 SERVICE CARBURETOR CO AUTO
 REPR 232-2322
 1268 VACANT
 1271 BOWN ASH MOTORS USED CARS
 232-1341
 ---WEST A ST INTERSECTS
 1302 TRACK CAFE
 1306 JIMMIE'S HOME & AUTO GLASS
 GLASS DLRS 232-6315
 1329 VACANT
 1372 MARTIN PLYMOUTH CHRYSLER
 AUTO DLRS 232-3186
 1375 MARTIN PLYMOUTH CHRYSLER
 USED CARS
 901
 ---ASH ST INTERSECTS
 1401 VACANT
 1420 VACANT
 1450 VACANT
 1465 VACANT
 ---BEECH ST INTERSECTS
 1502 BART SALES CO MFRS AGTS
 233-7987
 C & R TRANSFER CO TRUCKING
 233-6466
 GLASS ROBT M CO MFRS AGTS
 233-7987
 STEINAU-GLASER CO MFRS AGYS
 239-8276
 1516 HERCULES OIL CO DLRS
 233-T161
 1545 VACANT
 ---CEDAR ST INTERSECTS
 1601 CITY CAR & TRUCK RENTAL CO
 239-6171
 1661 JAMES AUTO PARK 234-0857
 1671 FRANKLIN MARY V MRS
 1673 CASTAGNOLA DILLIA L MRS •
 232-1406
 ---DATE ST INTERSECTS
 1
 ---DATE ST INTERSECTS
 1702 VACANT
 1730 OPPORTUNITY ENTERPRISES INC
 GENL MOSE 232-5015
 1731 CASTELLO VITO 233-B5T1
 SARDO FRANK 239-2800
 1743 ALVAREZ MARIA MRS
 1745 CARLSON GEO C 233-6042
 1747 BAKER-CARLSON CORP PLASTIC
 FLOORING 232-5558
 CARLSON CO THE HEATING EQUIP
 233-6042
 1753 ASARD JOE • 233-0986
 1765 TUTINO TONY 233-6195
 1765% TUTINO STEVE
 1767 DAVIS ROY J
 1769 TARANTINO PIETRO • 239-T923
 1770 PACIFIC TEL & TELEG CO
 239-1173

1771 TATE RUTH R MRS
 1781 CARNIGLIA ADELINA MRS •
 232-2682
 ---FIR ST INTERSECTS
 1902 BRITISH MOTOR SALES CO AUTOS
 234-8426
 1903 CARNIGLIA AGOSTINO •
 239-0545
 1907 SOTTILE SALVATORE 239-5634
 1915 HARDY CHARLES W • 234-4566
 1929 COLOMBO WINERY 239-9926
 1929% LOPEZ JOE C
 1954 SAN DIEGO MOTOR IMPORTS INC
 NEW & USED CARS 234-3661
 1971 KELLEY FRENCH CLEANERS &
 LAUNDRY 233-3351
 KELLEY'S DRAPERY CLEANERS
 CLNS 233-3362
 2001 AMERICAN CONTRACTING ELEC
 CONTR 232-6355
 2030 MIGUELITO'S CAFE RESTR
 233-8563
 2034 WURTS CONTRACT FURNISHERS
 (WHSE)
 2036 WURTS CONTRACT FURNISHERS
 HOUSE FURNISHING 234-T976
 2044 WATERFRONT THE COCKTAIL
 LOUNGE 234-4777
 2045 SHANKS & WRIGHT INC
 ELECTRONIC EQUIP 239-0176
 2055 ALTHOF HENDRIK 239-7875
 2055% ANDERSON NORA G MRS
 234-5017
 2056 EDEN HELMER • 232-5603
 2057 KEISER HENRT
 2062 MYERS CHARLES M 232-1397
 2064 MULLIGAN HARRY O
 5
 ---HAWTHORN INTERSECTS
 2100 VALLEY MOTORCYCLE SLS
 INC-HONDA OF SAN DIEGO
 239-3801
 2101 TRANSMISSION KING SLS AND
 INSTALLATION 233-6215
 2119 TOIGO'S AUTO BODY & PAINT
 232-5592
 2125 WIZE MOTORS 239-5792
 2136 BENTON C H INC PAINT & DISTR
 MFRS 234-9105
 2151 PIONEER RADIATOR WKS REPR
 234-6722
 2175 STANDARD BRANDS INC WHOL GRO
 233-8824
 ---W IVY INTERSECTS
 2201 FREIGHT OUTLET APPLIANCE
 STORES (WHSE1
 2210 FOAM RUBBER SUPPLY CO UPHOL
 233-0748
 2215 U S BATTERY MFG CO 234-4901
 2227 JUAREZ FRANK G
 2228 HELIX WHOLESAL CO WHOL BLDG
 HTLS 239-9394
 2229 CARINI JOSEPH 239-7887
 2241 CRIYELLO FRANK •
 2251 MASSA STEVE S 234-5522
 2253 VACANT
 2266 HAULMAN WELDING WORKS
 239-0558
 ---JUNIPER INTERSECTS
 2308 SAN DIEGO MACARONI MFG CO
 INC 239-8614
 2311 BLUE RIBBON AUTO SUPPLY
 232-5174
 2311A W T C AIR FREIGHT (DR OFCI
 239-5124
 2321 ZOLEZZI JOSEPHINE MRS •
 232-9069
 2327 TREVISANI BENADITA MRS
 232-5945
 2345 LOCOCO MART
 2347 BALISTRERI GIOVANNI •
 233-3054
 ---KALMIA INTERSECTS
 2409 DRYER'S FURNITURE CO
 233-6421
 2401 LANPRIDES LEO WHOL DRAPERY
 MFR 233-6421
 2419 ROMANI LOUISE C • 239-6821
 2427 GIBBS ALICE M MRS 239-5521
 2429 GALLAGHER FRANK J
 2431 VACANT
 2433 MARIANO DEGRACIAS 239-BT55
 2435 GALDILLO GUILLERMO
 2435% VACANT
 2443 SANFILIPPO ANTONIO •
 239-8494
 2453 VACANT
 2455 VACANT

---LAUREL INTERSECTS
 2501 CLUB THE COCKTAIL LOUNGE
 239-9929
 2515 VACANT
 2517 BREWER TRAVIS
 2519 AMMONS CLARENCE W 233-8746
 2521 WARD HOWARD I
 2525 ZIMMERMAN MARJORIE MRS
 2528 SOLAR EMPLOYEES FEDERAL
 CREDIT UNION 234-6661
 2548 VACANT
 2555 GIACALONE FRANK • 239-3285
 2557 VACANT
 2559 VACANT
 2561 VACANT
 ---MAPLE INTERSECTS
 2601 MC NAMARA JOHN
 2603 HOBBS BONNIE MRS
 2605 VACANT
 2607 GURNSET FLOYD M 296-1167
 2609 SCHRYOCK BUREN R
 2611 NO RETURN
 2676 CAPITOL ELECTRIC CO (STGE)
 2680 CAPITOL ELECTRIC CO CONTRS
 295-3168
 ---NUTMEG INTERSECTS
 2727 CULLIGAN WATER CONDITIONING
 OF SAN DIEGO INC 297-3377
 2730 I P S PRNTRS 298-6464
 REGISTER PUBLISHING CO
 PROGRAM DIRECTORIES
 298-6464
 2750 MEYENESCH PRINTERS INC
 297-2281
 ---OLIVE INTERSECTS
 2804 KETTNER RADIATOR SHOP REPRS
 295-6917
 2812 PUSS 'N BOOTS TAVERN
 296-9381
 9
 ---PALM ST INTERSECTS
 2911 NEILSON ROBT P
 2916 HACKER RALPH H
 2918 MACK ANDREW R 298-0309
 2920 VACANT
 2958 LEESMAN GUY J • 295-6637
 2960 VACANT
 2962 VACANT
 ---QUINCE ST INTERSECTS
 3002 COLOMBO FIDEL • 296-2980
 3020 TOMMY'S FURNITURE REPAIR
 295-8451
 3028 VACANT
 3030 SCHOLDER JAMES G • 295-1736
 3032 VACANT
 3034 VACANT
 3038 MORRISSEY WM J 297-3610
 3040 VACANT
 3042 VERMILYA JAMES W 296-1624
 3044 VACANT
 3046 WATSON JAMES D
 3048 VACANT
 ---REDWOOD ST INTERSECTS
 ---SASSAFRAS ST INTERSECTS
 ---THORN ST INTERSECTS
 3334 PLASTIK-ARTS 296-3415
 3338 SANDOVAL MANUEL R
 3340 VACANT (3340-3346)
 3348 NO RETURN
 3370 VACANT
 REAR VACANT
 3370A VACANT
 ---THORN ST INTERSECTS
 3420 COGGESHALL ALBERT W PLMB SUP
 295-2149
 3444 TERRIE GLEN J
 3452 VACANT
 3456 VACANT
 3554 NELSON-THOMAS & CO OFC
 FURNISHINGS 297-0344
 3564 LAPIDARY JOURNAL INC BOOK &
 MAGAZINE PUBLS 297-4841
 3574 VACANT
 3590 BUTLER PAPER CO WHOL
 298-2224
 TOLLE CO THE ADV AGCT
 298-T161
 15
 ---WINDER ST INTERSECTS
 107
 ---ANDREWS ST INTERSECTS
 3765 LARSEN GORDON
 3767 FITZGERALD RICH D H
 3779 MC COWN HAZEL B MRS •
 295-8306
 3785 RAMOS ROBT 294-3868

PACIFIC HWY 1966

744

PACIFIC HWY--CONTD
CIVIC CENTER--CONTD

COUNTY AIR POLLUTION CONTROL & INDUSTRIAL HYGIENE 239-7711
 COUNTY ALCOHOL REHABILITATION CLINIC 239-7711
 COUNTY BUR OF ENVIRONMENTAL SANITATION 239-7711
 COUNTY BUR OF MILK CONTROL & VET SERVICES 239-7711
 COUNTY BUR OF PUB HEALTH EDUC 239-7711
 COUNTY BUR OF PUB HEALTH LABY 239-7711
 COUNTY DEPT OF PUB HEALTH BUSINESS MANAGEMENT OFC 239-7711
 COUNTY DEPT PUB HEALTH BUR OF RECORDS & STATISTICS 239-7711
 COUNTY DEPT PUB HEALTH DIV OF SANITATION 239-7711
 COUNTY DEPT OF PUB HEALTH MED SERV DIV 239-7711
 COUNTY DEPT MATERNAL CHILD HEALTH 239-7711
 COUNTY DEPT PUB HEALTH BUR OF DISEASE CONTRUL 239-7711
 COUNTY DEPT PUB HEALTH CIV SERV EXAMS 239-7711
 COUNTY DEPT DIV SANIT MOSQUITO & ROBERT CONTROL 239-7711
 COUNTY DIV OF PUB HEALTH NURSING 239-7711
 COUNTY PUB HEALTH ANALYST 239-7711
 COUNTY PUB HEALTH ENG 239-7711
 COUNTY DEPT PUB HEALTH PRIMARY HEALTH CENTER 239-7711
 COUNTY DEPT SAFETY COMMITTEE 239-7711
 COUNTY SUGGESTIONS AWARDS COMMITTEE 239-7711
 COUNTY TRAFFIC COMMITTEE 239-7711

ROOMS

1 COUNTY AUD & CONTROLLER SYS DIV 239-7711
 3 COUNTY TREAS-RETIREMENT DIV OF EMPLOYERS INS 239-7711
 14 COUNTY ASSESSOR REAL PROPERTY DIV 239-7711
 21 COUNTY PURCH CENTRAL DUPLICATING 239-7711
 22 COUNTY DEPT OF PUD WORKS MAIL CENTER
 44 COUNTY TAX COLLR UNSECURED PERSONAL PROPERTY DIV 239-7711
 53 COUNTY AUD & CONTROLLER MICROFILM FILMS 239-7711
 54 CIVIC CENTER COFFEE SHOP RESTR 239-4800
 56 VACANT 1RM 56-721
 70 COUNTY WELFARE DEPT OFC SUP UNIT 239-7711
 77 COUNTY AUD & CONTROLLER BUDGET & CLAIMS DIV 239-7711
 92 COUNTY AUD & CONTROLLER ISTOCK RMI 239-7711
 98 COUNTY AUD & CONTROLLER, DATA PROCESSING DIV 239-7711
 101 COUNTY TAX COLLR 234-8813
 102 COUNTY TREAS 239-7711
 103 COUNTY ASSESSOR 234-8813
 152 COUNTY AUD & CONTROLLER TAX REDEMPTION SECTION
 153 VACANT
 163 COUNTY AUD & CONTROLLER COORDINATOR E D P SERV 239-7711
 165 COUNTY AUD & CONTROLLER GENL ACCOUNTING DIV 239-7711
 166 COUNTY AUD & CONTROLLER 239-7711
 200 COUNTY PUB WKS BLDGS & GROUNDS 239-7711
 205 COUNTY PARKS & RECREATION DEPT 239-7711
 COUNTY BLDG INSPECTION DEPT 239-7711

207 COUNTY PLANNING DEPT 239-7711
 208 COUNTY SAFETY OFCR 239-7711
 208 COUNTY SUGGESTION AWARDS COORDINATOR 239-7711
 208 COUNTY TRAINING DIR 239-7711
 209 COUNTY DEPT OF PUB WKS (CENTRAL TRANSCRIBING UNIT)
 209A COUNTY C A O CONFERENCE RM
 214 COUNTY ADMN OFCR 239-7711
 252 COUNTY DEPT OF PUB WELFARE (ADMM MANAGEMENT) 234-8871
 298 COUNTY DEPT OF PUB WELFARE 234-8871
 302 COUNTY COUNSEL 239-7711
 306 COUNTY BD OF SUPVRS CLK 239-7711
 310 COUNTY SUPVRS CHAMBER 239-7711
 335 COUNTY BD OF SUPVRS 239-7711
 352 COUNTY COUNSEL (SUB OFC)
 355 COUNTY ASSESSOR (ADVANCED PLANNING STAFF GROUP)
 358 COUNTY BOARD & COMMN MEETING ROOM
 357 COUNTY CAMP CONN 239-7711
 361 PRESS ROOM
 384 COUNTY COUNSEL (SUB OFC) 239-7711
 403 COUNTY CIV SERV COMN 239-7711
 406 COUNTY CIV SERV COMN PERSONNEL DIV 239-7711
 407 COUNTY CIV SERV COMN TRAINING DIR 239-7711
 451 VACANT (451-459)
 5THFL COUNTY PUB WKS BUILE & AIR CONDITION RNS
 602 COUNTY GOVT REFERENCE LIBRARY 239-7511
 7THFL COUNTY AUD & CONTROLLER POST AUDITS DIV 239-7711
 8THFL VACANT
 9THFL VACANT
 10THFL VACANT
 STREET CONTINUED
 1601 SHAW BROS SHELL SERVICE GAS STA 239-5234
 1655 IMPERIAL FOUR HUNDRED MOTEL 232-6391
 LYNN LAWRENCE *
 1745 CAL-DIESEL SERVICE CO REPR 232-0602
 1747 FREIGHT OUTLET WAREHOUSE MOSE 232-7571
 ---DALE ST INTERSECTS
 1825 OSCAR'S DRIVE-IN RESTAURANT 239-1129
 1943 BAYVIEW TRAVELODGE MOTEL 232-7551
 OWSTON FLOYD
 ---GRARE ST INTERSECTS
 2008 BOYER SHELL SERVICE GAS STA 239-4251
 2045 KELLER'S CAR WASH 239-2524
 KELLER'S SERVE YOURSELF STATIONS GAS STA 239-4779
 KELLER'S SNACK BAR RESTR
 2070 PACIFIC UNION SERVICE GAS STA 234-0416
 ---HAWTHORNE ST INTERSECTS
 2137 MIYAKO SUKI YAKI CAFE 233-7168
 TOP'S MOTEL 239-727A
 BURKETT STANLEY
 TOP'S RESTAURANT RESTR 233-7168
 ---IVY ST INTERSECTS
 2200 SOLAR ALL FAITH CHAPEL SOLAR-A DIVISION OF INTERNATIONAL HARVESTER AIRCRAFT MFG 233-8241
 2233 UNION FURNITURE STORE 232-6531
 2263 WILL'S RICHFIELD SERVICE GAS STA 239-3222
 ---JUNIPIER ST INTERSECTS
 2305 SEASIDE SERVICE GAS STA 239-6839
 2383 AIRPORT TRAVELODGE MOTEL 232-8931
 THIELEN PHIL J
 2401 AMBROSE BUILDING OFC BLDG COACHMAN THE INC AUTO RENTAL 232-6629
 2405 AMBROSE CO THE TUNA-FISHING 232-1329
 2407 SOUTHWEST ADMINISTRATORS INS 233-0171
 2431 BARBARY COAST THE COCKTAIL LOUNGE 233-7359
 ---W LAUREL ST INTERSECTS

---WASHINGTON ST FREEWAY 906
 ---CROSSES
 2521 GARRETT'S UNION SERVICE GAS STA 234-5771
 253M ANTHONY'S FISH GROTTO RESTR 232-5103
 2665 LEWIS SUPER SERVICE GAS STA 236-4112
 2775 HERTZ CORP THE (STORAGE LOT)
 ---NUTMEG INTERSECTS
 2830 STANDARD STATIONS INC GAS STA 296-9313
 2975 BUDGET RENT-A-CAR OF SAN DIEGO CAR RENTAL 297-3851
 2980 SAN DIEGO INTERNATIONAL AIRPORT 291-3900
 AMERICAN AIRLINES INC 232-7673
 AVIS RENT-A-CAP SYSTEM AUTO RENTALS 295-3111
 BONANZA AIRLINES INC 296-0333
 CATALINA-VEGAS AIRLINES 298-8819
 CONSOLIDATED LEASING CORP AUTO LEASING 297-1828
 DELTA AIR LINES 297-3735
 EXECUTIVE AIR SERVICE AIRLINES PILOT TRAINING 296-3966
 HERTZ CORP THE CAR RENTALS 297-4424
 LINDBERGH FIELD 233-0181
 MERCURY INTERNATIONAL TRAVEL SURANCE AGENCY TRAVEL INS 298-9724
 NATIONAL AIRLINES INC 298-3651
 NATIONAL CAR RENTALS 297-1828
 * PACIFIC AIR LINES 297-4151
 PACIFIC SOUTHWEST AIRLINES AIRLINE CO 298-1482
 SAN DIEGO UNIFIED PORT DISTRICT LINDBERGH FIELD MUNICIPAL AIRPORT 291-3900
 SKY CHEFS INC RESTR 296-6241
 SWIFT AIR SERVICE CHARTERS & RENTALS 298-1444
 UNITED AIR LINES 291-2260
 FEDERAL AVIATION AGCY AIR TRAFFIC FLIGHT SERV STA 296-3181
 U S WEATHER BUREAU 293-5063
 WESTERN AIRLINES 291-2131
 WESTERN UNION TELEGRAPH CO TELEGRAPH 297-1028
 3125 PROPHET CU THE CAFETERIA CV5-8974
 3165 PORT OF SAN DIEGO
 3600 VINYARD OVERHEAD DOORS INC (SHUR) 298-9951
 3605 JET CHEMICAL CO 488-3550
 SWALK ENTERPRISES CONCESSIONS & RIDERS 488-3550
 ---BEAN BEGINS
 ---WASHINGTON INTERSECTS
 ---CLAYTON INTERSECTS
 ---SUTHERLAND INTERSECTS
 3877 SOUTH SEAS CAFE 295-1606
 3885 DON'S PHOTO SERVICE REHOTO 295-9924
 RASCHAL GED W REAL EST 295-9924
 3895 PACIFIC HIGHWAY VETERINARY HOSPITAL ANIMAL HOSR 295-4231
 3911 MACHINISTS BUILDING INTERNATIONAL ASSN MACHS SILVERGATE DIST LODGE 50 LABOR ORG 298-9301
 SAN DIEGO MACHINIST BUILDING ASSN 298-9301
 102 VACANT
 103 VACANT
 106 SILVERGATE CLUB SOCIAL 296-2750
 201 VACANT
 205 D C DENVER CHICAGO TRUCKING CO 298-1575
 207 VOLT TECHNICAL CORP TECH PUBLICATION 297-2811
 ---NOELL INTERSECTS
 3923 LITTLE R W CO INC SANDBLASTING CONTRS 297-3705
 ---ESTUJILLO BEGINS
 3955 WHITTAKER'S FURNITURE 297-3251
 3967 WHITCO AUCTION SALES 297-3251
 WHITTAKER RENTS TRUCK TRAILER EQUIP FURN 297-3251
 WHITTAKER'S USED FURNITURE 297-3251
 ---WRIGHT INTERSECTS
 4005 VACANT

UPAS/COLUMBIA ST 1966

699

UPAS ST--CONTD

2114 BERRYMAN A CARMACK •
296-1156
2124 OECHEL GLORIA D MRS •
295-6231
2132 SCHNELL CHARLOTTE A MRS
295-2608
2140 BOYER HARRY M • 298-7305
---MISSISSIPPI ST INTERSECTS
2212 WORTMAN LILLIAN D MRS •
296-0228
2222 BRIGHT DORIS M MRS •
295-8686
2228 DAVIES CHARLES W • 295-8611
---LOUISIANA AV INTERSECTS
2306 BROWN ROBT A 295-B904
2318 PHIPPS WALTER A • 295-8194
2328 MC INTOSH JOHN A • 295-9445
---TEXAS ST INTERSECTS
2420 REYBURN LEWIS F • 295-5307
2426 ZAWORSKI A E • 296-1957
2436 VACANT
---ARIZONA ST INTERSECTS
2516 HALLQUIST FOREYTHA M MRS •
295-1969
2518 CAPERTON VIRGINIA V MRS •
296-4258
2520 STOKLOSA RICH D • 298-1329
2566 KELLAR JAMES W • 298-0325
---ARNOLD ST INTERSECTS
---VILLA TER INTERSECTS
2602 THOMSON PATRICIA A MRS
296-2960
2612 DAVIS VERNON E • 295-2844
2616 VACANT
2618 DE KNIKKER BERT 296-2979

2620 GRANT ROBT • 296-3307
2628 AYCOCK JESSE M • 298-0240
---PERSHING AV INTERSECTS
2704 BENNETT GERTRUDE M MRS •
298-3346
2718 MATSON EILEEN B MRS •
295-1219
2728 BELDEN CHARLES L • 296-2275
2738 SUGGS JAMES S • 296-0934

---28TH ST INTERSECTS
---UTAH ST INTERSECTS
---GRANADA ST INTERSECTS
2812 VACANT
2828 ROY ROBT
2828 VACANT
2830 LAWRENCE WALTER H •
2832 SULLIVAN DOROTHY A MRS •
295-7987
2853 VRADENBURGH HAROLD
2873 BURGESS RUTH S MRS
2875 PHILLIPS BESSIE M MRS •
295-6293
---29TH ST INTERSECTS
2905 DAVIES JAMES H • 295-8790
2911 CRESSWELL CLEMENTINE MRS •
298-8219
2917 PENDELTON NELLIE M MRS •
295-2989
2923 VACANT
2925 CLARENCE'S BARBER SHOP
298-5782
BOISEN CLARENCE G • 298-5782
---DALE ST INTERSECTS
2959 JACK IN-THE-BOX DRIVE-THRU
RESTR 298-1577
2965 CURB LAUNDRY SELF SERV
298-4061
2978 WAIKAIKI TAVERN 296-9312
2979 EDWARDS CAROLYN E MRS REAL
EST 297-2000
TRUESDALE MARY R MRS REAL
EST 297-2000
---30TH ST INTERSECTS
3025 SMITH J EDDIE 281-3919
3028 FOUR CORNERS TAVERN 296-9125
---RAY ST INTERSECTS
3035 SWEDS ALBERT 281-4678
3036 JONES & SON TEXACO SERVICE
GAS STA 284-6580
3040 SKELLEY TDM SERVICE STATION
AUTO RERR 281-1901
---GRIM AV INTERSECTS
3065 TAYLOR RAULINE B MRS •
281-2060
3074 GRILLONE JOHN 284-6502
3075 DOWNES THOS J •
---31ST ST INTERSECTS
3108 MESTIS MANUEL
3114 LANGER JAMES W

3115 STEPANOVICH ANDREW R
283-8036
3127 MC GEAN CHARLES E
3128 BURGE JAMES E
3130 EAKINS JOHN J •
---HERMAN AV INTERSECTS
3162 CARTER CHARLES 283-2877
3174 WILSON MALCOLM A • 283-8877
3177 LOVE MALCOLM R 283-2757

---32D ST INTERSECTS
3215 MC LOUGHLIN CHARLOTTE MRS •
281-7659
3218 WERNER PETER C
3224 BARRY ROBT L • 284-5058
---BANCROFT ST INTERSECTS
3231 CURTIS GARY W
3254 ANDERSON WM K JR 284-7508
3271 PHILIR DLGA M MRS 284-1686
3274 ROHR CARL E • 283-8468
---33D ST INTERSECTS
3305 HDM HUGH • 281-6127
3316 JEFFERDS MARGT T MRS •
282-0602
3317 NASH ALICE S • 284-7213
3322 LANE JAMES J 281-8662
3324 GREENLAW EDITH B MRS •
281-8662
3325 CUNNINGHAM BARRETT L •
281-4447
3344 TSCHIRGI F HORACE • 284-2309
---FELTON ST INTERSECTS
3364 AYALA CRUZ L • 281-2159
3376 PREIBISITUS BRONICE A MRS •
284-0285
3380 ALFORD EDW J •
3386 ANDRADE CRISPIN E • 282-2000

UPAS ST W -FROM 3400 1ST AV WEST

102 D'SHEA DANL P
104 DA SILVA ADRAIN JR
106 HILLIER DAVID E 295-2230
107 GRILALVA HELEN M MRS 298-4001
108 RODWILL WM
109 HANSON KATH MRS 298-2393
120 BELVILLE FRANK R 298-2831
122 SEIDEL BERNICE A MRS
124 HUGHES WM W 298-1940
126 LINDEMANN ROSELEN H MRS
298-8491
142 BRESSLER JERMONE W 298-2104
144 STEWART VIRGINIA H MRS
298-7883
146 HORNE DON M 298-0701
148 RAY JOSEPH
---FRONT ST INTERSECTS
---ALBATROSS ST INTERSECTS
335 REEMELIN GERTRUDE F MRS •
295-1254
336 FINGERMAN ERNEST V • 298-7992
410 JACOBY ALF W JR • 295-3534

---REYNARD WAY INTERSECTS
702 NO RETURN
705 JOHNSON ROSELEAF MRS •
298-5820
716 CHIODO JOSEPH •
719 SHWANDT WM H JR 295-1952
724 VACANT 1724-261
728 VACANT
729 FIELD HOLLIS C • 298-2835
730 FERDN JULIA 298-1226
732 PERLEE KATHRYN P MRS 298-4918
741 LEAVITY DANL D • 296-1839
753 KOPELMAN HERBERT • 295-9610
807 BUSALACCHI THOS J • 296-1445
810 DELAVAL JUDY H MRS • 296-1489
817 VACANT
820 SMITH AGNES O MRS • 295-2592
832 FARROW WM • 295-1072
845 RAZZETO CHARLES • 298-5626
850 VACANT
---GLOPFINCH ST INTERSECTS
---HAWK ST INTERSECTS
1040 RAMOS EUGENIO 295-5552
---PALCON ST INTERSECTS

---KITE ST INTERSECTS
1307 RUNDLE GERALD G • 298-3327
1315 GRIFFIN FREDK G • 295-1317

---UNION ST INTERSECTS

1506 VACANT
1508 MILLER RONALD C 297-3176
---COLUMBIA ST INTERSECTS
---INDIA ST INTERSECTS

UPLAND ST -FROM 1600 60TH EAST 70

6038 VACANT
6060 RUTHERFORD HARRY A •
264-9110
6062 VACANT

UPSHUR DR -FROM 3224 BARNETT AV
NORTHWEST 87

2602 MILLS FRANK 224-4117
2604 MERCER EUG
2608 FISHER DON C 223-1102
2612 FEISTEL RONALD 223-7988
2614 CUNNINGHAM DAYTON B 222-5841
2618 BLAKEMAN DAVID L
2622 CONNER FRED W
2624 HERMAN REINHOLD E
2628 MORRISSEY JOHN J
---BLAKELY DR INTERSECTS
2701 NO RETURN
2702 SCHOENAUER JOHN C 222-0705
2704 SCHERNAYDER JULES 222-2492
2705 JIMERSON ASA 224-5637
2707 HARDY KEN R
2708 NOLEN JOHN S 223-8331
2711 CISSELL JAMES L
2712 TRAMMELL MAYNARD J
2714 LITTLE WM G 224-1134
2717 NEWBERN WM H 224-2267
2718 HAMM ALBERT J
2719 ELLIS RON W
2721 MAC IVER COLIN R 222-2654
2722 FOSTER WM H 223-7234
2724 VACANT
2725 THERRIEN ROBT E
2727 RILEY RICH D
2728 BALDRIDGE HERMAN P
2731 GUDDER FREDK W 222-2235
2732 KERR ROBT J 222-8742
2734 OFOIA SOLI 222-9574
2736 LONG ESAU 222-1313
2737 MURPHY CHARLES 222-5498
2738 SCHAEFFER WM J
2741 GUTHRIE GEO R
2742 GATES ROBT D
2743 CLEATON DARRRELL 222-7830
2744 BRADBURN DOYLE E 224-5980
2745 FERGUSON NORVAL E 223-8035
2747 WILMARTH RICH D A 222-2820
2748 HENSEN ELWYN C 222-7479
2751 COLLINS HENRY E 224-4339
2752 VACANT
2754 JENNINGS ANTHONY JR 222-4326
2755 BAYRON MARTIN P 224-2537
2757 EDMONDSON JAMES R 222-4603
2758 HIMES BERNARD
2761 TAYLOR JAMES L
2762 MARTIAN ELBERT S 223-3841
2764 ESTRADA ANDRES 224-5120
2765 CABALLERO MARCELO C 222-5874
2767 DAVIS HUGH L 222-4519
2768 BRITTON JAMES
2772 ROBERSON WM W
2774 FORNENTO JOSE L 222-1650
2778 CLARK KENNETH L 222-0903
2782 VALERIANO ROMEO M 222-3091
2784 RIVERS EDW C 222-0276
2788 VACANT
2792 WILSON WILLIE C
2794 MAJAM ROSEBEN R 223-7343
2798 BUTLER RAYMOND L

UPSHUR ST -FROM 1050 SHAFER WEST
2 EAST OF ROSECRANS 119

2828 IMPERIAL HOUSE APTS 224-1606
101 HEINRICH MONIKA
102 VACANT (APTS 102-103)
104 DOROUGH PATRICIA
105 JACKSON ROBT
106 HOFFMAN O ALBERT
107 SEUFFERER RONALD K
222-4924
108 COPPS HENRY C 223-8622
109 GOLDEN KENNETH A 224-2228
111 REED WM
112 KELLEY JOHN S 224-1207

VINE ST 1966

914

VINCENTE WAY (LA J)-CONTD

405 RUDNICK PHILIP • 454-7459
411 BENDER REBECCA S MRS • 459-2467
412 BUEHLMAN WM L • 454-1215
419 MC GOWAN LEWIS A JR • 454-7027
420 BROWN EVERETTE R • 459-5638
427 FLOYD CHARLES E • 454-0049
428 LANPHER THOS G • 454-0049
436 SPIEGELBERG HANS L 459-2041
---DOWLING DR INTERSECTS
531 MASON MARY F MRS • 454-6913

VINE CT -FROM 1/2 BLK WEST OF 750 S 29TH

VINE ST -FROM 3550 UNION WEST

1405 BROWNING EARLINE D 295-5244
1405 1/2 MOORE MAE K MRS 295-9563
1412 BALISTRERI ANTOINETTE MRS • 298-5103
REAR NO RETURN
1417 VINYARD FRED A • 296-1134
1420 HERMES WM H • 295-1394
1421 JENKINS JOHN W • 296-4756
1430 DAY ROBT P • 295-4884
1438 SKELTON JACK R 298-4230
1440 FREEMAN R GENE 298-8435
1442 VACANT
1449 WELLS CHARLOTTE R MRS • 295-6861

---STATE ST INTERSECTS
1501 ALEXANDER JOHN • 295-9545
1511 YOUNG VERA E MRS 295-4892
1515 MUEHLEISEN VESTA C MRS • 295-4325
1516 SA VILLE LEOTA M MRS • 296-3090

1524 TEXEIRA LARRY • ---COLUMBIA ST INTERSECTS
1621 HUGHES FRANCIS L 296-3493
1623 JERMARK LARRY W 291-3074
1627 JORDAN JERRY W 1629 VACANT
---INDIA ST INTERSECTS

VIMLEY PL -FROM 6200 DEL CERRO BLVD NORTH

5725 ATTARD GEO • 583-2619
5738 BLAIR CARL A JR • 583-1842
5739 NO RETURN
5750 MILLER ROBT W • 583-2216
5755 GOSSMAN JACOB A • 583-4823
5762 KREISLER ROBT I • 582-0405
5767 PHILLIPS LEROY M • 582-9473
5774 CHRISTYSEN GERALD L • 583-5645
5783 BACBY HARRY F • 582-1838
---LAMBDA DR INTERSECTS

VIOLEA ST -FROM 2200 MORENA BLVD EAST

1204 HICKS GENEVA L MRS 276-6884
1206 WHITE WM W 276-5156
1212 QUICK CORA A 276-3587
1214 VACANT
1216 CHOYAN DAN
---GERTRUDE ST INTERSECTS
1308 TWOMBLY ROBT N • 276-1956
1315 GALLO JOHN • 276-1690
1320 KILDARE BARNEY W • 276-0478
1325 HAFNER WM W • 276-2537
1344 SMITH LAWRENCE G 276-2301
1345 ALBERICO ANTHONY F • 276-1614

VIOLET ST -FROM 1 BLK SOUTH OF SYCAMORE DR NORTH

2502 REABODY EDWIN E • 284-2940
2504 SWANN PATRICIA L 282-7313
2507 DUGAL EVA MRS • 284-0594
2510 STEVENSON JAMES M • 283-5209

2511 HARVEY DELMAR J • 283-4329
2518 HARRIGAN FREDK • 2519 WITEK FREDK J • 283-8477
2524 LORENTSON ALEX • 284-0766
2525 SULLIVAN JOHN • 281-2065
2530 GEORGE RUTH G MRS • 2535 NO RETURN
2536 OLIVER WELDON C • 281-0237
2537 SCHWARTZ DOROTHY MRS • 2540 WILKERSON ROY C • 282-9300
---SYCAMORE DR INTERSECTS
2544 BARCLAY PAUL 283-5255
2547 PERNICAND GEO J • 2548 MOLLY'S CHILDCARE CENTER 281-2372
LIBERATORE MOLLY L MRS • 281-2372
2560 CHOATE JEANNETTE C MRS • 284-4597
2564 KING JOHN M • 281-7006
2568 CRAMER ROBT L 281-9174
2571 VAN GOGH HARRY B 282-8769
2572 WALL THOS C • 282-8853
2576 BRATNARD PERCY C • 283-8496
2580 MAYBERRY LEROY H • 283-8137
2581 MAC NEILL HILTON W 284-0203
2583 FOSTER STEVEN F 281-8426

---PEPPER DR INTERSECTS
2608 STROMBERG GENEVIEVE C MRS 284-5335
2614 VAN BUREN HARRY C • 284-8606
2622 CHAVEZ MODESTA 281-2861
2623 WRIGHT JAMES H • 284-0427
2624 ROBIEY FREDA MRS 282-5808
2625 BROWN NORALEE MRS 2629 VACANT
2631 THOMPSON CHARLES D 283-5614
2632 FLAGGER NORMAN 283-8318
2634 VACANT
2637 CASINO ROBT J 282-0076
2639 COLE H L
2640 INESON ALAN G 283-4564
2643 CARPENTER ERNEST W • 281-6014
2646 MARCOTT ALBERT F 284-9186
2648 MACKAY EDGAR C 284-6903
2649 MC CLELLAN GERALD F 282-5527
2650 CARY ROBT L
REAR MOSER WM 283-4072
---POPPY PL ENDS
---MANZANITA DR INTERSECTS
2651 COMANT CATH T MRS 284-7963
2652 NO RETURN
2656 VACANT
2661 MITCHELL GUY W • 281-1366

VIRGINIA AV -FROM STANLEY AV SOUTH EAST OF SEMINGLE DR

4567 MAY JACK W • 583-1719
---ACORN ST INTERSECTS
4568 GARCIA ROBT J • 583-8739
4575 SAVEL JOSEPH S • 582-2600
4576 SEIDEL GEO A • 583-3939
4583 VACANT
4584 JOHNSON STEPH 583-9419
4591 SKELTON BYRON M • 583-7419
4592 MAGEE LILLIE MRS • 583-3711
4611 TRIPP CHARLES E • 582-7705
4612 HOLMES FRED E • 582-4014
4617 SCHREMPF FREDK A ELECTN • 582-8422
4618 ZITO JOSEPH J • 582-3670
4623 LOMAN ESTHER H MRS • 583-7153
4624 NEAL BERNIE J 583-1425
4629 RINDER WM 582-1932
4630 PEALE WM R • 583-3692
4635 SCHANER ALEX T • 582-7035
4641 BUTLER FRANK O • 582-7541

VIRGINIA AV (54N YSIDRO)-FROM SAN YSIDRO BLVD S I W OF CHICAGO AV IFOR OCCUPANTS SEE SUBURBAN DIRECTORY

VIRGINIA WAY (LA JOLLAJ)-FROM 7500 GIRARD AV NE N OF PEARL
---HERSCHEL AV INTERSECTS

---TORREY PINES RD INTERSECTS
1027 COLLINS EDWIN-FORD AUTC DLRS 454-0456
1105 SCRIMGEOUER K GRAY 454-4904
1120 EMBERY HARRY A • 454-3075
1121 BRAHYZ CHARLOTTE P MRS • 459-5718
1127 KARSTONS CONSTANCE
1138 FLORA ELIZA U MRS 454-1661
1142 BARCA ZITA V MRS • 454-7623
1155 PENRY WILLARD W • 454-4955
1156 BROWN ROLLIN R 459-5475
1168 FELLOWS WENDY E MRS • 454-7581
1178 SALTONSTALL BEATRICE MRS 459-2404
---HIGH AV INTERSECTS
1201 FURR WADE H • 454-4062
SMITH ELEANOR 459-4908
1208 CHAPLAN GERALD W 454-7521
1211 IRVINE WILLARD W • 454-7542
1214 SCHMIDGALL RUDDOLF • 1221 VACANT
1224 NICOL OUNCAN D • 459-5073
1231 WATSON E MORGAN • 454-7891
1235 SKIDMORE JAMES G • 454-0848
1236 RIGLEY ORIN H JR • 459-4424
1245 TAVARES COCELIA M • 454-7255
1246 SMITH FRANCIS M • 459-5597
1252 OFFERMAN CHARLES B • 459-6230
1257 STEESE EVELYN D MRS • 454-3365
1260 BAKER EDWIN H • 459-5833
1263 THURMOND ETHLIN E • 454-7088
1271 CLEMENT JAMES M • 459-3760
1274 WARD RITA M MRS
1275 O'LAUGHLIN HELEN • 454-6008
1285 VACANT
1287 JOHANSON ESTHER R MRS • 459-5233
1299 SIMONDS ANN F MRS • 454-6884
---IVANHOE AV INTERSECTS
1301 LUTKINS LA RUE 454-1932
1304 DOOLITTLE RUSSELL F 459-6743
1314 DEESE MARY R MRS • 454-6049
1321 GREENE LENORE • 454-5218
1324 RUSSELL RUTH H MRS 454-6602
1325 RATHELL SAM T • 454-1844
1328 VACANT
1338 MALES W MORACE • 454-4106
1348 BURCH W T • 459-5052
1350 DONALDSON ELISE • 454-2697
1351 BOOTH RICHD F • 454-4068
1356 GARDNER JOHN S • 454-2962
1361 LONGENECKER JOHN I • 454-0646
1364 PHILLIPS JAMES R • 454-2560

---EXCHANGE PL INTERSECTS
1400 TORREY PHILLIP H • 454-5591
1401 VACANT
1411 NO RETURN
SMEDLEY WILL P 454-5319
1412 THROUP LORENA E MRS • 454-4724
1414 MAC INTYRE NEIL R • 454-5185
1419 CRAWFORD CLARENCE H • 454-6386
1436 PUCHNER JOHN R • 459-6193
1437 SCHUMAN ALICE E MRS • 454-6500
1440 GEORGE VIRGINIA E • 454-6482
1445 NEW ETHEL B MRS • 459-5906
1453 FERRY JOSEPHINE C MRS • 459-5927
1454 WERNHAM GEO T • 459-5786
REAR WERNHAM FLORENCE C • 459-3786
1461 LEE GEO R • 454-1644
1475 DUNTLEY S QUIMBY • 454-1742
1522 BLAKE JOSEPH H 454-0212
1523 HOWARD JOHN R • 459-5852
1533 VACANT
1540 JOHANSON J GOTTFRID • 454-2083
1556 LUNN GEO R • 459-5793
1563 CADY HARLOW G • 454-2371

VIRGO RD E -FROM 5600 REDWOOD NORTH I EAST OF W VIRGO RD

3203 GOLDFATE ANDREW J • 583-1291
3204 BAXTER FRED C • 583-0842
3212 DARTON JAY T 583-2078
3215 BIRD JOSEPH F 583-3517

medium on earth.

live to a just way ing ir e ID 14) h e e 41

WALNUT AVE W 1966

921

153
 WALL ST (LA JOLLA)-FROM 7900
 GIRARD AV EAST 11 SOUTH OF
 PROSPECT

1006 CITY PUB LIBRARY-LA JOLLA BR
 459-5174

1008 ATHENAEUM MUSIC & ARTS
 LIBRARY 454-5872

1020 PARTRIDGE RESTAURANT THE
 459-9965

1030 FAY'S CANDY COVE 454-6522

1032 LA JOLLA MORTGAGE FUND MTGE
 INVESTMENT 459-4044

1035 WALKER SCOTT CO (YOUTH
 CENTER) DEPT STORE 459-3321

1041 LA JOLLA VARIETY STORE
 459-5336

1044 SECURITY FIRST NATIONAL BANK
 (LA JOLLA BR) 459-4311

1051 LA JOLLA SPORTING GOODS
 459-3359

---HERSCHEL AV INTERSECTS

1100 LA JOLLA FEDERAL SAVINGS S
 LOAN ASSN 454-0744

1101 CHASES ALEX M CO REAL EST
 454-7194

1107 HEALTH & DIET FOODS 454-4556

1111 COFFEE CUR THE RESTR
 454-2819

1115 STERKEN-MASSARD QUINTIN M
 DENTIST 454-2021

1117 SHEPPHERD,BUILDING
 BEARDSLY JOHN M MOSE BROKER
 454-7615

HARRISON JOHN A DENTIST
 454-1248

LA JOLLA CREDIT ASSOCIATION
 459-4146

LONGSTRETH ENTERPRISES
 AUTHORS

MARGIEN GEO M BLDG DESIGNER
 454-4275

1119 WALL STREET BARBER SHOP
 459-6909

1121 WINETEER LESTER N REAL EST
 454-0105

1122 EVANS BOOK STORE 454-2197

1123 WALL STREET CLEANERS &
 LAUNDRY 454-5765

1124 WALL STREET HAIRDRESSERS
 454-4004

1125 SHEARSON HAMILL & CO INC
 STOCK BROKER 454-4264

1127 HAYDEN STONE INC STOCK
 BROKERS 459-3415

1128 LA JOLLA MUSIC 454-5927

1131 ALLEN WILLIS M CO REAL EST
 454-0721

ALLQUORIDGE CORP THE REAL EST
 454-0721

1140 U S P O (LA JOLLA) 454-7139

188
 WALLACE CT -FROM NATIONAL AV
 NORTH 3 EAST OF 39TH

912 WALKER JOHN A • 264-1983

916 HERNANDEZ FILOMENO A •
 264-7128

920 GALLARDO DOMINADOR •

927 GINOS JOHN G • 264-5872

930 DURAN MOSPICIO • 264-1452

931 CHACON MODESTA MRS • 264-1352

941 HARVEY MAXINE • 263-1150

---NATIONAL AV INTERSECTS

23
 WALLACE ST -FROM 2800 DAVIS
 NORTHEAST

3953 MOELLMER KARL A 295-1385

3976 SWALLOW CHERYL MRS

3980 MORALES SALVADOR

---SAN DIEGO AV INTERSECTS

---CALHOUN INTERSECTS

---JUAN INTERSECTS

4016 WITTENBERG LESTER L REAL EST
 296-3111

4138 ABREGO'S GOLF SCHOOL &
 CLINIC 295-9476

PRESIDIO HILLS GOLF COURSE
 295-9476

106
 WALNUT AV -FROM 3500 1ST AV EAST

115 APARTMENTS

1 MOLLINGSWORTH PERRY E

2 ATKINS HENRY

3 BENTON RUTH S MRS 296-3228

DENT LORENE MRS

6 VACANT

7 VACANT

140 BASHAM MARION C • 295-9911

---2D AV ENDS

205 REEVES JAMES E PHYS 295-2147

207 VACANT

211 WESTON MELVIN L 298-8090

221 VACANT

225 RUTH E WAYNE 295-4595

---3D AV INTERSECTS

305 SCHIEFER WM E DENTIST
 298-1181

306 VACANT

315 ARMSTRONG CHARLES B DENTIST
 297-2954

WATSON JOHN A DENTIST
 297-2836

328 VACANT

206
 ---4TH AV INTERSECTS

418 VACANT

420 BELFORD WM W PHYS 295-2129

---5TH AV INTERSECTS

106
 WALNUT AV W -FROM 3500 1ST AV
 WEST

101 WILLIAMS DELORES

103 LEA WM D 297-1708

105 BUCHAN JOHN C 298-4509

109 VACANT

111 VACANT

117 SOILLART ANNA •

119 APARTMENTS

1 VACANT

2 VACANT

3 GRANNIS FRANK H • 296-6771

4 AASY MABEL J MRS 295-7236

5 FUGETT JAMES C 295-2481

6 KOVAR ANNE E MRS

7 VACANT

8 PORTRAS KENNETH E 295-7928

130 MOORE LAWRENCE A

134 GARREMAN GARY L 296-4588

---FRONT ST INTERSECTS

205 HANKINS ELTON E 298-8095

211 STUBBS RICH L • 295-4060

230 MAUK BUELL E

246 VACANT

13
 ---ALBATROSS ST INTERSECTS

315 KENDALL CORA E MRS • 295-2330

321 MC VEY MARGT M • 295-1665

---CURLEW ST INTERSECTS

605 ZINK EMMITT B • 295-3222

---GOLDFINCH ST INTERSECTS

11
 ---HAWK ST INTERSECTS

1004 TUOHY ROBT E • 295-0363

1012 FARNSWORTH CHARLES C •
 295-7944

1021 ROBINSON CHARLES W 296-2892

1025 JONES NEWELL N • 296-3396

1041 ENRIGHT PATK J • 296-1672

1141 MORGAN FRANK J • 298-4463

---ISIS ST INTERSECTS

15
 ---JACKDAW ST INTERSECTS

1300 WEST FRANCIS E • 296-1784

---LARK ST INTERSECTS

---UNION ST INTERSECTS

1608 BRIGGS CHRISTINE W C MRS •
 295-1945

1617 NO RETURN

1621 BROWN CLAIR W •

1623 VACANT

1629 PARK WM J

1631 ROOME FRED

1703 MYERS MAURINE MRS • 296-6438

1703 K KASSLER ROBT R 298-2603

1709 DAVIS HARRY M • 295-9114

1711 MC CRACKEN WM J 298-6347

1717 MILLIGAN JAMES A 298-2158

1719 DAVIS CLINTON D REV 296-3081

1949 ARTS & CRAFTS PRESS COML
 PRNTRS 297-0261

174
 WALSH WAY -FROM SAXON EAST 1
 SOUTH OF REMINGTON RD

5105 NEPT WM • JU2-5976

5112 BLUMER BENJ • JU3-5263

5115 REYNOLDS ROBT C 583-6940

5127 MINTZ THEO J BLDG CNTR •
 582-2209

5138 DREXLER ROBT B • 582-8919

5139 GERSTLER SIDNEY •

5151 GRAWUNDER RALPH M • JU3-1244

5152 SALVATO LOUIS V • 583-3596

5163 KALLANDER ROBT J 583-1327

5164 DE VITA LEWIS & SON PRODUCE
 BROKERS 582-8645

DE VITA ANTHONY J • 582-8645

5173 FOSTER GEO H • 583-2945

5174 JOHNSON ARVID T • 583-3624

5183 ELLMAN HARRY • 583-0734

5184 SWEENEY MICHL J • 286-0838

244
 WALTER AV -FROM 6705 WINONA AV
 EAST 1 SOUTH OF GREENBRIER AV

4907 VACANT

4908 COLEMAN EMMETT I • 583-0589

4919 WEAVER HARRISON W •

4920 FEAR ELI C • 582-9019

4931 BUCHY RAUL JR • 583-0120

4932 ZIDLICK RUDOLPH •

4943 HOPKINS FRED C •

4944 JOHNSON KENNARD H • 582-1410

4955 ADAMS LEO W • 583-1904

4956 BREESE RAUL M • 583-0283

4967 NO RETURN •

4968 MARTIN JOHN M • 582-2998

4979 CONSTANT GEO • 583-9694

4980 DRIUSSI JESSE J • 582-6184

5007 WESTMAN JAMES E • 583-1318

5008 ROGERS JAMES R • 582-0584

5019 SUCHAR MICHL • 582-8761

5020 VACANT

5031 GORHAM CLARENCE W • 582-1183

5032 MORRIS LESTER M • 582-5297

5043 DANIELSON EPHRAIM R •
 582-7815

5044 BURAK JACK • 582-4959

5055 NYGAARD HAL • 583-1685

5056 JEFFRIES L W 583-0921

5067 HARRISON ROBT C • 582-9463

5068 GABLIUD HELEN A MRS •
 582-7643

5079 ESTES RONALD • 286-1280

5080 OSBORN JOHN E • 582-5785

---50TH ST INTERSECTS

222
 WALTON PL -FROM OHIO EAST BET
 MONROE AV AND MADISON AV

3057 AGNER JOHN H •

3060 GRIZZLE ROY

3061 SALTER JOHN A 284-7887

3064 RAPER WALTER K 281-9059

3069 MILLER ROBT G •

3070 BROCKMEYER MYRTLE A MRS •
 281-9002

3072 WALTON PLACE COURT APTS
 284-4148

BERGER FRANK C 281-9256

3074 ROLAND JOHN E

3076 HENDERSON ERNIE L • 284-4148

3078 PRESTON PAUL O

3080 GUZZO JAMES

3082 BRANCH HILDA MRS 284-0565

308A EINERTSON LA VERNE O
 284-8175

3086 PERSKE VERSA P MRS 283-8755

3088 TREECE HENRY M

3090 BAXTER ROSE MRS

242
 WANDA CT -FROM DEAD END NORTH 1
 EAST OF DECENA DR

6050 LISENDEE JAMES B • 584-7991

6053 KENNEDY EDW J JR • 283-6930

6056 THOMSON HENRY H • 284-1306

6062 ROGERS FORREST E • 284-5849

6070 SCHINDLER ERNEST 284-7949

CALIFORNIA ST 1961

Table with multiple columns containing street names, addresses, and contact information. Includes sections like CALHOUN, WALLACE INTERSECTS, CALIFORNIA, BROADWAY INTERSECTS, BEECH INTERSECTS, CEDAR INTERSECTS, DATE INTERSECTS, GRAPE INTERSECTS, IRY INTERSECTS, JUNIPER INTERSECTS, KALMA INTERSECTS, LAUREL INTERSECTS, PALM INTERSECTS, QUINCE INTERSECTS, ROBID INTERSECTS, SASSAFRASS INTERSECTS, THORN INTERSECTS, UPAS INTERSECTS, WALNUT AV INTERSECTS, WITHERS INTERSECTS, CHALMERS INTERSECTS, WINDOR INTERSECTS, BEAN ENDS, and CALIFORNIA WEST.

COLUMBIA ST 1961

1446 5th AVE.

Plumbing and Heating Since 1902

TEL. BELMONT 3-1168

255

COLUMBIA--Comd

1812 Bolchini Roberta F Mrs @ BE2-1993
 1818 Crivello Anthony T BE3-3460
 1824 Tarantino Peter @ BE2-5521
 1830 DePhillips Madeline E Mrs @ BE2-5207
 1833 DeMaria Dominick @ BE0-2425
 1836 Corrao Andrew @
 1839 Spano Jos
 1840 DeSanti Antonio
 1843 Tarantino Sebastian BE9-4597
 rear Orlando Fred BE4-4842
Fir intersects
1907 Apartments
 1 Santos Manuel G BE2-8897
 2 Vacant
 3 Quaschnick Lloyd
 4 Vacant
Street continued
 1815 Ruiz Manuel
 1816 Vacant
 1919 Romero Rachel R Mrs BE3-8491
 1920 Giuseppe Crisci
 1922 Ballettreri Peter
 1924 Oddo James
 1926 Silva Manuel R BE3-5982
 1928 Balestrieri Marietta Mrs @ BE0-6228
 1929 Brunetto Pasquale @ BE9-3382
 1931 Brunetto Steve BE9-8429
 1933 Corona Donald BE4-1678
 1941 Marchese Saml @ BE9-3003
 1943 Grosso Giacano
 1945 Vacant
 1953 Bilardi Armando T @ BE3-0548
 1959 LaGhia Grace Mrs @ BE4-1552
 1965 Brunetto Clara Mrs @ BE9-5517
 1970 Jackson & Blanc hig contr BE4-4621
Grape intersects
 2011 Moore Harriett J Mrs BE4-4255
 2015 Paradowski John W BE2-2897
 2019 Hendricks Farrell L BE2-9623
 2021 Vacant
 2031 D'Acquisto Antonio BE3-3952
 2033 Corrao Grace Mrs @ BE9-6973
 2034 Cobet Paul C @ BE2-2586
 2041 Marker Lorna H Mrs BE2-8427
 2043 VanPelt Andrew @ BE9-7488
 2043 1/2 Johnson Bobby H
 2044 Columbia Apartments BE4-9585
 (A) Reeves Ollie M
 (B) Vacant
 (C) Miranda John R
 (D) Vacant
 (E) Hall Willie
 (F) Vacant
 (G) Nash Robt W
 (H) Johnson Wm R BE9-9585
 rear Vacant
 2051 Lococo Jos BE9-2817
 2053 Nishimura Jos A
 2053 1/2 Sutton Roy L
 2054 DiCola Josephine Mrs BE9-4763
 2064 Valenti Joe BE4-5743
 2066 Corona Donald BE3-3882
 2071 Bruno Vincenzo @ BE9-7010
Hawthorn intersects
 2104 Sardo Salvatore @ BE2-5900
 rear Wilcox James
 2118 Navarra Sam @ BE2-9580
 2121 Zizzo Frances Mrs BE3-0494
 2130 Alioto Anthony J @
 2136 Bregante Anthony E @ BE3-3645
 2146 Bregante Cath Mrs @ BE3-3645
 2154 Sardina Jos J @ BE9-4354
 2168 Tocco Leo
Ivy intersects
 2210 Vacant
 2230 Adano Antonio @ BE9-4031
 2260 Foster & Kleiser Div of Metromedia Inc adv BE3-6347
Juniper intersects
Kalmia intersects
Laurel intersects
 2519 Kostynu Louis A @ BE2-5731
 2519 1/2 Anderson Grover
 Patton Robt E
 2525 Giacalone Jos @ BE2-1776
 2525 1/2 Marfin Chas F BE2-9212
 2565 Hebel Rollin E @ BE9-7077
 2567 Dawe Peter BE3-0639
 2569 Lane John E BE3-0579
Maple intersects
 2601 Pruitt Daltha E Mrs CY6-0800
 2603 Lamb Winona Mrs CY8-5638
 2619 Kenyon Arth @ CY5-3011

2621 No Return
 2628 Adams John H
 2629 1/2 Awrey Glenn F CY7-1991
 2629 1/4 No Return
 2639 Husband Reginald F @ CY5-7963
 2643 Smith Leonard C CY8-4263
 2653 Vacant
 2655 Boyer Duane M CY5-4578
 2657 Ellsworth Saml W CY8-2484
 2660 Neill Louise Mrs @ CY7-2752
Nutmeg intersects
 2703 Vacant
 2705 Conaway John D @ CY8-2467
 2715 Stanley Ethel Mrs @ CY5-8918
 2727 O'Connor Arnold @
 2729 Vacant
 2732 Middlebrook Caroline @ CY6-4182
 2737 GHroy James T CY5-2635
 2739 Martin Earl L
 2741 Zizzo Mary Mrs @ CY5-1098
 2744 Middlebrook R Philip @ CY5-5084
 2753 Barr Mary L Mrs CY8-1892
 rear Traggard Rachel M Mrs @ CY6-3407
 2756 Jones Elsie D Mrs @ CY5-1804
 2758 Battles Larry G
 2768 Bargarier James R
 2773 Rose Jan D @ CY5-9643
 2801 Melody John D CY8-5377
 2803 Smiley Chas M CY6-0958
 2805 Jorgensen Tom R CY8-1266
 2807 Sciberg Edw R CY5-8887
Olive intersects
 2811 Vacant
 2816 Barbieux Nancy CY5-4615
 2818 Gross Archie CY6-2017
 2825 Bonham Harley L @ CY5-9380
 2827 Pierelli Patk A CY8-6445
 2830 Fenwick Bernice Mus Studio CY6-4467
 Fenwick Elmer E @ CY6-4467
 2831 Vacant
 2833 Vacant
 2835 Vacant
 2837 Farewell Linn O CY5-1665
 2840 Banda Rafael F @ CY5-5786
 2849 Wultz Sam CY6-0327
 2851 Vacant
 2859 Colla Lilla Mrs @ CY5-6211
 2859b Cearly Phillip
 2864 Morrison Roy F @ CY5-7046
 2865 Pickens Theo @ CY6-4223
Palm intersects
 2901 Harris Donald
 2903 Pence Wayne Jr
 2905 Addington Gail
 2907 Raff Mildred Mrs
 2909 Norris Thelma E Mrs CY8-1233
 2911 Bonicout Donald
 2913 Wallace Alf R CY6-2602
 2915 Kinzel Gilbert A
 2917 Hopkins Judith
 2919 Kidder Harland @ CY7-1360
 2921 Peters Donald G CY6-3466
 2926 Pierce Wm @ CY8-3136
 2940 Littlepage Russell S CY5-2770
 2950 Vacant
 2952 Hartman Roman J CY8-7357
 2954 Perry Arth W CY8-1926
 2955 Hillhouse Wanda S CY5-1438
 2955A Julien Anna R Mrs @ CY5-1864
 2955b Taylor Wm
 2964 Norris Jas R @ CY5-3726
 2965 Williams Amanda Mrs CY5-1866
Quince intersects
 3002 Juniper Frank F @ CY8-1510
 3005 Moore Robt CY7-2135
 3007 Cook Lisle E CY8-1024
 3009 Schrieber Grace Mrs
 3011 Vacant
 3013 Bennett Bertha Mrs CY8-1028
 3015 Ryan Gloria
 3017 Helter Wesley CY8-3600
 3018 Aron Pearl M Mrs @
 rear Vacant
 3019 D'Arango Bernard CY7-2673
 3021 Carr Allen
 3023 Bronopoude Nick G CY8-8600
 3025 Farmer Rob R CY8-4268
 3027 Saldano Armando
 3028 ElHott Frank CY8-6733
 3029 Foster Robt N CY8-8424
 3030 Vacant
 3031 Lewis Donald L
 3032 Higgins Ron R
 3033 Pileeger Mary E Mrs CY6-2465
 3034 Lawrence Richd L
 3035 Vacant

3037 Grobmsier Alvin H
 3038 Loring Carolyn @
 3040 Cleaver Chas D CY5-3807
 3045 Mellusi Jas E @ CY5-7571
 3062 Peters Bernice H Mrs @ CY8-3642
 3064 Vacant
 3066 Cameron Georgia F Mrs CY8-0494
 3068 Ramsay Oscar W CY5-1923
 3225 Cheek Reginald C @ CY5-5335
Redwood intersects
 3229 Vacant
 3242 Huntley Marjorie T Mrs @ CY8-6015
 3243 Knebel John W @ CY5-3314
 3250 Apartments
 1 Cooper Helen G
 2 Haake James W CY8-7601
 3 Vacant
 4 Vacant
Street continued
3260 Apartments
 1 Milligan Corrine Y CY7-1087
 2 Adams M Bruce CY8-7568
 3 Vacant
 4 Vacant
Sassafras intersects
 3310 Vanlerberghe Peter P CY7-1244
 3319 Quinci Vincent @ CY8-6384
 3320 Adam Chas C @ CY5-6806
 3321 Eden Dean
 3330 Miller Ralph G @ CY5-7690
 3331 Cano Bruno CY7-1334
 3333 Nixon Paul Jr CY8-7487
 3343 Hobb Hazel Mrs @ CY5-6681
 3344 Guyton Omer @ CY5-5551
 3345 Shaw Douglas I CY8-4553
 3347 Vacant
 3354 Guiding Homer
 3355 Schwank Frances Mrs @ CY8-3404
 3356 Braxton Steve I CY5-7271
 3357 Wedlund Theo C CY5-3752
 3364 Theobald Clarence W CY5-8383
 3366 McDonald Norman M CY8-8378
 3368 Vacant
 3370 Bruna Vincent @ CY5-8294
 3372 Hearman Carl F CY7-746
Thorn intersects
 3420 Bledsoe Huntington P Hon CY8-5264
 3431 Faber Clarence L @ CY5-0394
 3445 Canale Myra O Mrs @
 3455 Crivello Vincent @ CY5-4846
 3465 Fountain Leonard D CY8-0254
 3465 1/2 Bergant Geo G CY6-3505
 3467 Teck Zita Mrs @ CY6-2501
Upas intersects
 3504 Wallendorf Harold J @ CY5-2294
 3505 Finasco Marie C Mrs CY7-2414
 3509 Austin Richd D CY8-8959
 3510 Jensen Robt
 3510 1/2 Strickland James G
 3512 Hoeg Faith A Mrs CY5-5433
 3512 1/2 Vacant
 3513 Vacant
 3515 Rogers Clarence M CY8-4530
 3516 Rojas Cirilio G @ CY5-7036
 3517 No Return
 3518 Vacant
 3519 Vacant
 3520 Vacant
 3521 Vacant
 3523 Acosta Roman O
 3525 Pitts J B CY5-7345
 3528 Vacant
 3531 Tate Gleason J CY8-6049
 3535 Vacant
 3538 Crisci Jos @ CY5-2869
 3540 Nicks Leon B CY8-4454
 3544 Apartments
 1 Kirkpatrick Norman @ CY7-3011
 2 Boyce Margt
 3 Ivey Phil
 4 Vacant
 5 Howard Dan
Glenwood intersects
 3602 Mindte Robt T CY5-5413
 3604 Toothacre Rod M CY5-2024
 3608 Metzger Doveone Mrs
 3614 Vacant
 3615 Feigen Michl J
 3616 Vacant
 3621 Brown Lawrence H @ CY5-9666
 3622 Shepard Dan
 3627 Rowley Chas G @ CY8-7406
 3629 Vacant
 3633 Apartments
 (A) Putnff Wm
 (B) Vacant
 (C) Vacant

GLENWOOD DR 1961

741 F STREET

SEE BUYERS' GUIDE PAGE 41

PHONE BELmont 9-9266

371

GLENROY—Cont'd

- 8751 Hammond Edw J @ JU3-0244
- 8759 McKenzie Edw B @ JU3-6896
- 8760 Shanks Paul D @ JU3-2610
- 8767 Morris Geo W @ JU2-7258
- 8775 Loomis David M @ JU3-6981
- 8776 Hanneberg Edwin R @ JU3-1031
- 8785 Nelson Robt L @ JU3-0294
- 8795 Taylor Edgar L @ JU2-6083

Greenbrier av intersects

- 6801 Turman Wm C
- 6807 Manry Mendall A @ JU3-1163
- 6811 Verrypp Simon @ JU2-7738
- 6815 Galvas John J @ JU2-7883
- 6821 Bowen Robt L @ JU3-1437
- 6827 Rohrer Harry W @ JU2-8381
- 6833 Walker Ray @ JU3-6877
- 6839 Dubois Ethel Mrs
- 6845 Noeller Norman H @ JU3-4924
- 6851 Hernandez Philip @ JU3-0866
- 6859 Jackson Roland B @ JU3-0352
- 6860 Willingham Dean Mrs @ JU3-0827
- 6863 Hansen Carvlla C @ JU3-0863
- 6869 Vierkant Elmer H @ JU3-1494
- 6870 Flanagan's Business Serv acct JU3-3580

Flanagan Thos J @ JU3-3580

- 6875 Gregory Wm I @ JU3-1042
- 6881 Finsdal Carol @ JU3-6200
- 6885 VanDeWalker Constance @ JU3-3744
- 6886 Buck Wm J @ JU2-4772
- 6889 Nestor Burton H @ JU2-0942
- 6892 Packer Louis @ JU2-0136
- 6893 Pack Harry M JU2-4508
- 6897 Grim Benj R @ JU2-9141
- 6898 Olive Wm T @ JU2-9065

Irwin intersects

- 6902 Hardin Wilbur G @ JU2-4034
- 6903 Swift Walter T @ JU3-1331
- 6908 Badeski John T @ JU3-3777
- 6909 Hillis Robt F @ JU2-9058
- 6914 Gellerman Ernest E @ JU2-9281
- 6915 Walford John D @ JU3-0656
- 6922 Strahl Robt D @ JU2-9142
- 6923 Morley David G @ JU3-1376
- 6928 Nemechek Leland S jr @ JU3-3850
- 6929 Hoff Edwin J @ JU3-1585
- 6936 Brooks Marvin D @ JU3-6681
- 6942 Vacant
- 6945 Garff Steph N @ JU3-0972
- 6948 Hodgson Dorothy C Mrs @ JU2-8604
- 6954 Roshong Donald V JU2-9539
- 6955 Dietz Ernest W @ JU3-7859
- 6960 Medlin Lee V @ JU3-1363
- 6965 Lakin Wm H @ JU2-9188
- 6966 Bilicki Peter A @ JU2-2010
- 6975 Stevens Wayne E @ JU3-2861
- 7001 Hickey Richd N @ JU3-0110
- 7004 Galik Andrew @ JU3-0258
- 7012 Elsensohn H E @ JU3-0355
- 7020 Ibarra Herbert @ JU2-9296
- 7028 Hicks W Kenneth @ JU3-0773
- 7036 Revell E W @ JU3-0816
- 7044 Benry Walton R @ JU2-9270
- 7052 Lockman Kenneth G @ JU2-4029
- 7060 Summer Jas W @
- 7068 Anderson Gene @ JU3-8325

Dundee av begins

- 7074 Delgado Margt E Mrs @ JU2-9609
- 7082 Lawrence Earl @ JU2-8659

Elgin begins

- 7090 Donayon Wm @ JU2-9135
- 7106 Schilling Gordon @ JU2-9303
- 7116 Armantrot John W @ JU3-0764
- 7126 Farrington Chas E @ JU2-9424

- 7136 Nash Elton E @ JU2-7823
- 7146 Herz Gerald R @ JU2-9510

Forbes av begins

- 7156 Gagnon Rene J @ JU3-5564
- 7166 Tormey Gerald F @ JU2-6867
- 7176 Benninger Orville @ JU2-8570
- 7188 Miller Winifred M Mrs @ JU3-8197

GLEN VIEW LANE (LaJolla)—From 7231

- LaJolla Blvd east
- 711 Barton Frank C jr GL9-1622
- 728 Howard Fred R @ GL4-3432
- 733 Waterlain Ruth U Mrs GL4-0976
- 738 Haase Emma I Mrs @ GL4-2657
- 743 Putman Alice W Mrs GL4-5046

GLENWICK LANE—From Bordeaux av

- west, 1 north of Dunway dr

- 8675 Schminke Paul @ GL9-5228
- 8686 Radia Frank J GL4-7768
- 8704 Chapple Henry A @ GL9-5835
- 8720 Harman Robt J @ GL4-7754
- 8735 Vacant
- 8736 Lenz Willard F @ GL9-1798
- 8750 Templeton Harry C @ GL9-2222
- 8765 Geddes Marjorie G Mrs @

101

- GLENWICK PL.—From Glenwick la north, 1 west of Bordeaux av
- 2711 Arrkenius Gustaf O @ GL4-1156
- 2721 Bagley Marie L Mrs @ GL4-4423
- 2732 Moore Kenneth W @ GL4-9536
- 2731 Burke Marie L Mrs @ GL4-4836
- 2734 Preston John C @ GL4-7547

15

GLENWOOD DR.—From 3570 Union west

- 1504 Walton Jean B Mrs @ CY6-1826
- 1505 Daly Helen A Mrs @ CY5-7323
- 1507 Martin R G
- 1508 Vacant
- 1511 Brown James F @ CY7-2791
- 1512 Spear Wm @ CY6-3583
- 1519 Button Melvyn H @ CY8-5129
- 1525 Bridges Edw I CY5-6957
- 1530 Ellis Douglas D CY7-2186
- 1531 Shaw Donald E CY8-3326
- 1533 Vacant
- 1535 Vacant
- 1537 Vacant
- State intersects
- 1602 Erevik Leonard R
- 1610 Hart Cornelius H @ CY5-8170
- 1616 Wilfich Wesley D @ CY8-2310
- 1616½ Cooke Myron
- 1620 McHenry Kenneth E CY5-2558
- 1624 Vacant
- 1626 Vacant
- 1628 Vacant
- 1628½ Easter Viola V Mrs CY8-0147
- 1630 Vacant
- 1630½ Nassar Christian CY6-1796
- 1632 Rebe Wanda E CY6-3554
- 1634 Vacant
- 1636 Waddell Robt J CY8-3634
- 1704 Pierce Eleanor Mrs CY6-6416
- 1705 Mahiwa Fredk M
- 1706 Harford Richd D
- 1708 Sidut Milton
- 1709 Elmoro Geo S CY8-5185
- 1711 Lotta Vito E CY7-2046
- 1712 Welch Vincent C CY8-7928
- 1715 Stammers Edwin R CY8-8635
- 1716 Erwin Earl J
- 1716½ Howe Jordan J
- 1720 Vacant
- 1722 Vacant
- 1722½ Vacant
- 1724 Mitchell Earl D
- 1724½ Spear Donald
- 1730 Ginnarinarino Jasper CY5-7733
- 1732 Brigante James
- 1734 Hubbard John L CY8-4455
- 1735 Dinserilla Salvador
- 1738 Gardner Edna Mrs CY8-3105
- 1740 Terramagra Jas J @ CY7-2755

57

GLIDDEN—From Linda Vista rd east, 1 south of Kramer

- 6821 Darselius Harold V @ BR7-0103
- 6822 Bennett Karl E @ BR7-5237
- 6831 Graves Edw E Rev
- 6832 Tignor Fred L @ BR7-5093
- 6842 Howser John L @ BR7-2605
- 6847 Killebrew Darl B BR7-1764
- 6849 Killebrew Ray D @ BR7-4203
- 6852 Hinrichs Carl J @ BR7-4361
- 6855 Christian Science Society & Reading Rm BR7-6657

Coolidge intersects

- 6911 March Elvora V Mrs @ BR7-1611
- 6921 Beckman John H @ BR7-1761
- 6922 Gonzales Alfonso G @ BR7-5515
- 6931 Vacant
- 6932 Schwartz Albert C @ BR7-4932
- 6941 Harju Archie A
- 6942 Siska Stanley @
- 6951 Vacant
- 6952 Abrams Wm @ BR7-0822
- 6961 Ahrens Richd J BR7-4775
- 6962 Hope German E @ BR7-3736
- 6971 Purdy Cyril J Mrs BR7-2092
- 6972 Tittle Reese D @ BR7-3929
- 6981 Lansford Robt A BR7-4413
- 6982 Wilson LaVigne K @ BR7-2890

- 6880 Bertagna Albert A @ BR7-8775
- 6991 Masten Wayne G @
- 6992 Winder Warren E @ BR8-0332
- 6995 Campbell Delmer E @ BR8-1525

GLORIA—From Franklin av south bet S 48th and S 49th

- 305 Carter John L CO2-1134
- 307 Washington Dink CO2-2517
- 321 Lopez Jose L @ CO2-7852
- 322 Picou Theo O
- 324 Perkins Foresten
- 325 Quifce Vito @ CO3-4251
- 326 Vacant
- 328 Vacant
- 332 Jones Ralph @ CO4-8385
- 332½ Foster Alf
- 333 Verdugo Larry CO2-8409
- 342 Vacant
- 343 Borquez Robt R
- 344 Bouldin Alvin
- 346 Vacant
- 348 Vacant
- 350 Vacant
- 352 Vacant
- 403 Stephens Wm M @ CO2-1406
- 406 Horne Donald T CO2-0119
- 408 Coleman Leonard
- 410 Vacant
- 411 Vacant
- 412 Leavy Joseph W
- 412½ Norris Robt H
- 414 Silva Gloria Mrs CO4-6384
- 416 Mendoza A Albert J
- 418 Thomas Waller E
- 426 Ward Arth T
- 426½ Taylor Alfred J
- 423 Vacant
- 424 Romero Anthony R @ CO4-9045
- 425 Brodus Helene
- 427 Vacant
- 429 Vacant
- 444 Loman ArU W CO4-5007
- Ocean View Blvd intersects
- 1211 Jackson Mary L Mrs @ CO4-8613
- 1220 Lopez Adam @ CO2-5340
- 1221 Robinson Joe L @
- 1230 Carter Sylvester @ CO4-1316
- 1231 Brown Gerald R @ CO2-7053

58

147

GOBAT AV.—From Soderblom av west, 1 north of Lange av

- 2604 Polinze Joseph J @
- 2616 Vacant
- 2624 No Return
- 2625 Jackson Noel A @ BL8-3856
- 2628 Vacant
- 2635 Vacant
- 2640 Barkley Paul C @ GL9-3816
- 2645 Vacant
- 2652 Vacant
- 2657 Vacant
- 2664 Trease Ralph M @ GL9-4061
- 2671 Vacant
- 2676 Prince Elka M Mrs @ GL9-4042
- 2681 Pitman Richd M @ GL9-3787
- 2702 Coad Michl J @ GL9-3848
- 2712 Colwell Joseph F @ GL9-4024
- 2717 Vacant
- 2722 Vacant
- 2732 Wright Jzek F
- 2733 Vacant
- 2742 Bulcke Ursula R Mrs @ GL9-3797
- 2743 Vacant
- 2753 Vacant
- 2762 O'Hanlon Thos W @ GL9-3803
- 2763 Vacant
- 2772 Vacant
- 2775 Burks Robt C @ GL9-3876
- Burks N J Real Estate Brokers CO4-1521
- 2806 Vacant
- 2813 Ray Billy D @ GL9-4015
- 2816 Thomas Chas O @ GL9-4066
- 2823 Vacant
- 2826 Haunfelder Willard X @ GL9-3802
- 2833 Vacant
- 2836 Deavours Oscar J @ GL9-4014
- 2843 Sanford Elaine A @ GL9-4064
- 2846 Smith Craig R @
- 2856 Vacant
- 2866 Schmidt Richd H @
- 2801 Leathers Virgil W @ GL9-3877
- 2806 Vacant
- 2809 Hammond Stanley E @ GL9-3844
- 2814 Vacant

INDIA ST 1961

243 SPRECKELS BLDG. EST. 1886 TEL. BELMONT 3-8177

422

INDIA--Contd
2420 Morper Ship Pictures photog BE2-0373
2422 Vacant
2424 Giaccone Gene Mrs
2424 1/2 Torricelli Joe
2426 Olvio Benedito
2426 1/2 Winternik Ben BE3-3682
2428 Rose Carmen Mrs
2428 1/2 Leadiner Kath Mrs
2430 Gonya Paul BE4-4270
2430 1/2 Ward Owen
2438 Renton Robt W
2440 Krevitz Robt N BE2-9078
2442 Richi Rucardo
2442 1/2 Vacant
2444 Longini Salvatore BE9-4280
2446 Sardo Sami @ BE3-5976
2452 Koser Sami BE4-4236
2454 Vacant
2456 Vacant
2458 Marchesi Salvatore @ BE9-3433
2466 Garcia Bonny
Laurel intersects
2504 Fox Oscar
2508 Ohio Anna C Mrs BE3-5983
2518 Bluck Jas P
2520 West John
2528 Vacant
2530 Pokorny Elsie J Mrs BE9-5223
2532 Castagnola Celestina BE3-8371
2540 Vacant
2544 Canapa John BE9-1592
2548 Luzzi Natale @ BE2-8280
2552 Ward Ernest C
2554 Vacant
Maple intersects
Nutmeg intersects
Olive intersects
2501 Ballowe Keiko Mrs
2505 Whidden Yoshiko Mrs CY5-3707
2515 Watson Richd E
2527 Brown Melvin J
2530 Salodos Ledesma
2543 Vacant
2567 Hubbs Douglas E @ CY8-6350
2569 King Chas C CY6-6446
Palm intersects
2902 Vacant
2903 Jacobson Selmer A CY5-2753
2905 Vacant
2905 1/2 Zimmerman Robt R
2907 Bohannon Edw G CY8-3106
2909 Vacant
2915 Vacant
2930 Vacant
2921 Vacant
2923 Vacant
2927 Robbins Russell L @ CY8-2671
2932 Guerrero Benj CY8-1351
2932 1/2 Vacant
2934 Vacant
2936 Vacant
2940 Leung Fong
2940 1/2 Vacant
2942 Vacant
2944 Vacant
2945 Crow Godfrey
Sales Lila H Mrs CY7-1436
Stagg Clara Mrs CY5-8165
rear Hurtado Lila S Mrs CY7-1436
2952 Georgeon Rudy L CY8-6420
2998 Brumit Jewell @
2965 1/2 Brumit John CY5-7759
2971 West Coast York Co CY5-3131
Quince intersects
3009 Silva Mary Mrs @ CY6-6840
3033 Hammond Machinery & Sup Co CY8-6165
3040 Vacant
3042a Vacant
3044 Vacant
3044a Corkern Ethel Mrs CY8-6787
3044 1/2 Vacant
3046 Vacant
3048 Vacant
3053 Vacant
3054 Vacant
3056 Vacant
3058 Vacant
3060 Vacant
3064 Koch Dennis W jr CY5-1447
3066 Vacant
3068 Leonardo Dan J CY8-1986
3070 Gillette Michl S CY8-9850
3072 Martinez Joe
3074 Peterson Peter

3076 Aske Gary
3078 King John B
3080 Vacant
3082 Lemos Donald M
3084 Chiodo Fred
3086 Fechner Carl R P
3088 Vacant
3090 Vacant
Redwood intersects
3103 Compleet Interior Clns rug cing CY6-0152
3114 Vacant
3116 Nueba Gonzalo C CY6-1906
3124 Vacant
3129 Porter Henry R @
3131 Porter's Gro
3140 No Return
3141 Carr Maurice E
3153 Fugh Hawthorne CY8-4301
3167 B Bar S Chuck Wagon & Diner restr CY8-7088
Spruce intersects
3211 Parsons G S Co welding equip CY8-8801
Parsons Med Gases Inc CY6-6339
R & D Tool & Sup Co industrial sups CY7-2978
3231 Bay City Elec Wks CY8-6193
3232 Coml Sls Co restr equip CY7-2956
3241 Vacant
3243 Vacant
3245 Vacant
3252 Bruce Vincent C CY6-7524
3264 Robinson Arnon
3256 Valdillez Ralph
3258 Montalvo Leo
3260 Vacant
3266 Vacant
Sassafras intersects
3300 Airmena Hotel CY8-3578
3341 Billing Jas
3341 1/2 Vacant
3343 Vacant
3343 1/2 Vacant
3346 Scogna Gasper J CY5-5848
3347 Milligan David H
3353 Vacant
3355 Gardner Steph
3365 Aero Club tavern CY6-8471
3367 Vacant
Thor intersects
3468 El Francisco Apartments CY6-9424
(A) Berg Wm
(B) Leitner Elmer
(C) Garcia Erasmo
(D) Haney Alice M's
(E) Spencer Paul
(F) Siller Guillermo H
(G) Piez Robt
(H) Gutierrez Louis
1 Vacant
2 Boon Eug
3 Whit Geo
4 Horn Geo
Upas intersects
3503 Welch Walker E CY5-1950
3505 Bell Lynn E CY5-7702
3507 Pound Paul F CY8-4582
3509 Stevens Mary Mrs CY5-2593
3511 Royal Typewriter Co CY6-6236
3512 Mason Christina G Mrs CY5-6883
3514 Vacant
3518 Brady Hazel R Mrs @ CY8-9790
3519 1/2 Bozalian Barj
3521 Catledge Harvey M CY8-3574
3523 Vacant
3525 Nunn Ralph
3526 Apartments
1 Vacant
2 Billick Mary E CY5-8892
3 Hayden Lawrence J
4 Palmer Florence Mrs
5 Vacant
6 Vacant
Street continued
3527 Brandenburg Dudley CY6-2664
3529 Clifford Wm E @ CY6-4529
3533 No Return
3535 Guyanen John J
3536 Vacant
3537 Vacant
3537a Vacant
3537b Smith Ron
3537c Christianson B
3537d Livingston Geo
3538 Vacant
3540 Brown Joel E
3541 Serafin Richd W
3543 Groves John

3544 Vacant
3545 Cook Kenneth L CY5-5078
3546 Vacant
3547 Vacant
3547 1/4 Vacant
3547 1/2 Byrd John R
3549 Stephenson Thos
Vine intersects
3553 Pharma-Med Co Inc CY8-7156
Walnut av intersects
3516 Green Albert F CY6-2607
3517 Automatic Transmission Serv auto repr CY8-8397
3623 Automatic Transmission Mach & Sup CY7-1601
3630 Apartments
(A) Gubben Wm A
(B) Vacant
(C) Vacant
(D) Vacant
3633 Apartments
4 Ferry Allen
5 Vacant
6 Griffith Grace Mrs CY8-6319
7 Vacant
8 Vacant
9 Daves Chester A
Street continued
3634 Soto Joaquin L CY5-3366
3635 Vacant
3638 Vacant
3640 Werntz Lyle E CY8-9731
3642 Prentice Berry C
3645 Fum-O-Vac Co furn cins CY8-6151
San Diego Exterminating Co CY8-8151
3652 Normandy Apts
1 Carter I S
2 Garcia Elias G
3 Pace Dan
4 Melendez Oscar
5 Kenny C A
6 Neaves Jos A
7 Backus W C
8 Cook W J
9 Barnett L L
10 Burger John E
Street continued
3657 Hal's Signal Serv gas sta
3660 Daugherty Billie J CY5-0551
3661 India Auto Court CY8-3855
Johns Elmer H CY8-3855
3662 May Harold CY5-8416
3664 Banes Maurice H CY5-2780
3666 Hendricks Lee CY5-0217
3667 El Pancho Cafe restr CY8-9515
rear Williams Harold G CY8-8611
3668 Willard Jas A
3670 Capron Arth B
3672 Hilton Leonard E
3674 Johnson J D
3675 Haley's Payless Liquora CY6-9771
3676a Endsley Jay
3676b Simmons J H
3676 1/2 Schlund F G
3678 Vacant
3680 Vacant
3682 Vacant
3683 York B W
3684 Christanson Martha Mrs
3685 Pesqueira Ralph R jr CY7-1758
3687 Lund Dale CY5-9397
3688 McLane Wm CY5-1261
3689 Vacant
3690 Barr Irma Mrs
3692 Vacant
3695 El Indio Shop mexican food CY6-9555
3697 Corkscrew The delicatessen CY5-5789
Pheby Cyril E CY5-5789
3698 Wittner Rudi F CY7-3005
3701 Knapp Harry T jr CY8-3958
Winder intersects
3702 Palomar Golf Park CY6-8334
Palomar Sandwich Shop restr
3711 Incontro Carlos A CY8-9018
3710 Williams E J CY5-5878
3731 Larsen Louise A @ CY8-5090
3733 O'Dell Ida F Mrs CY8-7381
3735 1/2 Calloway Pearl Mrs
3737 Gondola Italian Restr CY8-5144
3739 Art of Beauty beauty shop CY8-5108
3741 Childress Norman T
3743 Davison Phillip
3745 Gallegos Ramiro jr CY8-8661
3745 1/2 Lacey G H
3749 Jones Edw C CY8-1826
3751 Price Donald D

15

KETTNER BLVD 1961

PACKING SHIPPING

VAN & STORAGE CO.

2949 GARNET TEL. BROADWAY 3-2111

459

KETTNER BLVD--Contd
 2064 Schilling Clayton F BE2-0562
 2071 Sullivan Beatrice E Mrs @ BE3-8660

Hawthorn intersects
 2100 Vacant
 2101 Transmission King auto sups BE3-6215
 2119 DeFalco Food Giant Mkt BE2-1603
 2136 Benton C H Inc paint mfrs BE4-9105
 2151 Pioneer Radiator Wks repr CY6-8186
 2175 Standard Brands Inc whol gro BE3-8824

W Ivy intersects
 2201 Loveday Athletic Sup Co stge
 2210 Foam Rubber Sup Co BE3-0718
 2215 US Battery Mfg Co BE4-4901
 2217 Vacant
 2227 Vacant
 rear Vacant
 2228 Helix Whol Bldg Sup BE2-8394 Caswell Sam
 2229 BrKistren Jim BE3-3858
 2241 Crivello Frank @ BE2-8077
 2251 Massa Steve S BE4-5522
 2253 Vacant
 2266 Haulman Welding Wks BE2-0558

Juniper intersects
 2308 SD Macaroni Mfg Co Inc BE9-8614
 2311 Barber Colman Co temp control system BE2-3043
 2321 Zolazzi Josephine Mrs @ BE2-9069
 2327 Trevisant Benadita Mrs BE2-5045
 2345 Balistieri Antone BE9-5205
 2347 Balistieri John G @ BE3-3054

Kulma intersects
 2400 Dryer's Furn Co BE3-6421
 2401 Dryers Furn Co (contract of) Walls & Assoc's drapery mfrs BE4-2051

2419 Castagnola John @ BE9-8821
 2427 Busalacchi Phil BE3-3598
 2429 Thrasher Marion Mrs
 2431 Brown Curtis E
 2433 Hawes Donna Mrs
 2435 Vacant
 2432 1/2 Penland Mable I
 2443 Sanfilippo Tony @ BE2-8404
 2453 Seguro Walter
 2455 Pena Raymond BE9-4728

Laurel intersects
 2501 Club The tavern BE9-8825
 2503 Alpha Stationers BE2-3580
 2505 Lorillard P CO Inc cigarettes mfrs BE4-5551
 2515 Oliveira John BE4-2042
 2517 Crawford Harold
 2519 Spitzer Gwen Mrs
 2521 Vacant
 2525 Vacant
 2548 Hoover Co The vacuum cns BE9-4183
 2550 Superior Roofing BE9-0269
 2555 Giacalone Frank @
 2557 Baker Gladys R Mrs BE2-8894

Maple intersects
 2601 McNamara Ida Mrs
 2603 Dryer Jerry R
 2605 Vacant
 2607 Garnsey Floyd CY6-1167
 2609 Beck Geo Jr
 2611 Birch Edw F
 2641 Culligan Water Conditioning of San Diego Inc CY7-3377
 2655 Smith Joel D
 2657 Vacant
 2676 Capitol Elec Co stge
 2680 Capitol Elec Co contrs CY5-3166

Nutmeg intersects
 2730 Register Publishing Co CY8-6464
 2750 Neyenesch Pntrs & Litho CY7-2281

Olive intersects
 2804 Kettner Radiator Shop CY5-6517
 2812 Vacant

Palm intersects
 2963 Rouke & Sharp Litho CY8-2135
 2915 Lowe Richd G
 2917 E&M Stagecraft theatrical sups CY8-3705
 2918 Sullivan B G
 2920 Vacant
 2921 Fonten Chas @ CY5-9517
 2931 Southwestern Wood Products ch furn CY8-7857

2940 Vacant
 2941 Stimitz Gene CY5-0454
 2942 Aporaca Jose CY7-3052
 2953 Osuna Jesus CY5-8582
 2958 Leesman Guy J @ CY6-6637
 2960 Hopkins Willie E
 2962 Whitten Ruth L Mrs

Quince intersects
 3001 Vacant
 3002 Colombo Fidel @ CY6-2980
 3003 Anson Wm O CY8-4489
 3009 Vacant
 3011 Vacant
 3013 Mohrmann Robt A CY7-3172
 3017 Vacant
 3017 1/2 Vacant
 3019 Sybert Ora A
 3020 Tommy's Furn Repr CY5-8451
 3026 Bennett Joan B CY8-7645
 3030 Scholder Jas G CY5-1736
 3031 Key Transport funeral dir sups CY7-3383
 Allen Larry
 3032 Hall Robt W CY8-6285
 3033 Vacant
 3034 Pemberton Wm D CY8-6276
 3038 Morrissey Wm J CY7-3610
 3040 Juarez Frank
 3041 Aufort Wm
 3042 Vacant
 3043 Vermilya Jas W CY8-1524
 3044 Martinna Raymond
 3045 Miller Richd W
 3046 Galvin Donna

Redwood intersects
 3048 Vacant
 3103 Robinson Lesly O
 3109 McJimsey Argie F
 3111 Lugo Ramon B
 3113 Smith Jas H
 3128 Melching Wagner F @ CY5-8374
 3136 Vacant
 3140 Ace Land & Mgt Co CY5-5850
 3142 Vacant
 3143 Quality Garage auto repr CY5-1605
 3144 Vacant
 3146 Vacant
 3148 Vacant
 3148 1/2 Vacant
 3153 Bash C John
 3161 Balgana Walter
 3163 No Return
 3165 Vacant
 3167 Vacant

Spruce intersects
 3205 Vacant
 3207 Apartments
 1 Sherwood Chester L
 2 Vacant
 3 Vacant
 4 Noyes Clouinda Mrs
 5 Hatch Allen B CY8-7686

Street continued
 3231 Vacant
 3237 Snow Frank J CY8-5280
 3238 Vacant
 3241 Wilson Eug O
 3243 Randall Frank H
 3251 Gleason A
 3253 Kilion Robt E
 3255 Beam John A
 3257 Sabell Melvin R

Sassafras intersects
 Thorn intersects
 3334 Plastik-Arts CY6-2415
 3338 Priest Ratford CY8-8757
 3340 Vacant
 3342 Martinez Edw R
 3344 Vacant
 3346 Holland Jerry A
 3348 Santoval Manuel R
 3370 Soaves Uzeba Mrs @ CY5-1285
 rear Piers Chas L
 3370a Vacant

Thorn intersects
 3420 Coggeshall Albert W plmb sups CY5-2149
 3433 Vacant
 3441 Nelson Eug M @ CY8-2992
 3444 Bustos Bill M
 3452 Edmonds Robt R
 3453 Vacant
 3455 Vacant
 3455 1/2 Vacant
 3456 No Return
 3485 Waese Jas M
 3487 Vacant

3469 Johnson Harry
 3471 Wing Edgar A
 3473 Vacant

Upas intersects
 3501 Padilla Luis H
 3503 Ellsworth Raoul W
 3505 Vacant
 3507 Horner Henry
 3508 No Return
 3511 Vacant
 3513 Ciwirola Pedro L
 3515 Bob's Portable Steam Chg CY8-3713 CY5-4331
 Jeff's Garage auto repr CY8-3819
 3517 Scites Lou H CY7-3405
 3519 No Return
 3521 Stevens N H
 3523 Vacant
 3527 Vacant
 3529 Vacant
 3531 Martin Billy J
 3533 Vacant
 3535-41 1/2 Capello Apartments
 3535 Johnson Wana Mrs
 3535 1/2 Forbes Bryon E
 3537 Robinson Wm O
 3537 1/2 McCoy Richd E
 3549 Dunnam Terry
 3534 1/2 Carini Francesco CY5-2806
 3541 Meekar Claudy E
 3541 1/2 York Troy V

Vine intersects
 3553 Butler Paper Co CY6-6355
 Plastering & Lathing Institute of SD County CY8-1358
 Toilet Co The adv agcy CY8-7101
 3555 Arts & Crafts Press prntg CY8-7111
 3575 Fire Dept Sta CY6-0879

Walnut av intersects
 3603 Vacant
 3605 Vacant
 3607 No Return
 3609 Vacant
 3611 Mary & Fred's Cafe restr CY6-9570
 3611a Vacant
 3611b Vacant
 3619 Vacant
 3621 Vacant
 3637 McMorroo Carrie Mrs @ CY6-3455

Chalmers intersects
 3655 SD Taste Freeze ice cream dirs CY5-2895
 3657 Servmaster of SD Inc carpet cns CY7-3309
 3658 Bay City Sls womens clo
 3663 Quality Lubrication Serv CY5-1605
 Chase Robt C
 Link Robt M
 rear Collins Mary H Mrs @ CY5-4943
 3663 1/2 Vacant
 3365 Evasick Pump & Injector Serv fuel CY8-4578
 rear Phillips Margt Mrs
 3667 1/2 Godfrey Kenneth W
 3669 Vacant
 3675 Vacant
 3677 Stewart Nina Mrs CY8-6081
 3679 Vacant
 3681 Vacant
 3684 DoAll SD Co tools CY5-2145
 2894 Cleaves Co industrial sups CY8-7223
 Portage Hdw Products hinge mfrs CY5-3477
 3695 Vacant

Winder intersects
 3702 Vacant
 3702 1/2 Vacant
 3704 Lamb Bernard D acct CY5-3175
 3706 Vacant
 3709 Vacant
 3710 Vacant
 3726 Navarro Katie CY5-6497
 3728 Koefoed Peter L CY5-8790
 3730 Vacant
 3732 Vacant
 3734 Walker Ray Sht Mtl Shop CY6-0883
 3744 Vacant
 3747 Palomar Laundry & Dry Clns CY5-5181

Andrews intersects
 3755 Vacant
 3767 Duff Robt R CY5-5326
 3776 Hanson Wm G CY5-8244
 3776 1/2 Schroeder Elsie A

BEAumont 7-7141

15

17

PACIFIC HWY 1961

CEARK S—Contd
 130 Vacant
 132 Bennett John CO2-1940
 134 Brown Clifford CO2-9639
 136 Boyd Nita Mrs
 138 Downs Virginia L Mrs CO4-6895
 140 Hines Wm CO2-8904
 142 Bostwick Earl G CO2-5293
 144 Garcia Dan
 146 Fincham Ann L Mrs CO2-8163
Mailly dr begins
 202 Baehr Allen D & CO2-2177
 204 Smith Wm G CO2-8789
 206 Vacant
 208 Vacant
 210 Marogg Martin jr CO2-8878
 214 Malenkoecht Stanley E CO2-8733
 216 Vacant
 218 Painter Forrest A Mrs CO2-2941
 220 Vacant
 224 Singer Alan K @
 231 Castro Frank CO4-2469
 231½ Ludovick Jos @ CO4-6216
 235 Richards Lloyd D CO4-2609
 237 Castro Frank M CO4-5044
 238 Stonebreaker Geo M CO4-5732
 240 Thatcher Oth J @ CO4-8663
 243 Tabler Gladys R Mrs @ CO4-2855
 251 Ojeda Wm S CO4-8847
 251½ Soto Eulalio F @ CO4-3050
 302 Vacant
 304 Vacant
 305 Smutny Bertha M @ CO4-7034
 306 Wilson Stanley F CO2-7785
 309 Smutny Louis @ CO4-2443
 312 Doyle Mark A @
 314 Stines Arth A CO4-3723
 316 Hawkins Ella Mrs CO4-1268
 317 Vacant
 327 Marshall Albert @ CO4-1653
 344 Marks John R CO4-5382
 405 White Francis S @ CO4-5790
 411 Hankin Hope V Mrs
 424 Padilla Lucrecia Mrs CO4-4968
 429 Maciejewski Frank C @ CO4-8865
 436 Goss Geo A @
Ocean View blvd intersects
 1150 Johnson Donald @
 1151 Cahoon Dean E @ CO4-1591
 1224 Morris Bonnie L @ CO4-6847
 1226 Gathier Harold @ CO2-8028

PACIFIC HIGHWAY—From 900 W Market north, 2 west of Kettner blvd
 ft Harbor House restr BE3-8110
 5D-Coronado Ferry Landing BE9-8161
 525 Municipal Court Dept 5 Criminal Div BE9-7711
West G intersects
West F intersects
West E intersects
Broadway intersects
 cor All Day Parking Inc auto parking
 608 Elmer's Serv gas sta BE4-9880
 1055 Republic Carloading & Distr Co Inc BE4-3453
 S D Transport & Whse Co BE4-3453
 1175 Judson Fri Forwarders BE2-5178
 Napier Robt C Trucking @ BE4-2274
 National Carloading Corp BE2-5178
 US Southwest Div of Yards & Docks BE2-3871

West A intersects
 1305 Harbor Travelodge motel BE3-6398
 Steerts Larry E
 1375 County Dept of Public Welfare BE9-7581
Asa intersects
 1405 Standard Stas Inc gas sta BE2-9392
 1495 Cox Robt Flying A Serv gas sta BE9-4342
Beech intersects
 1505 Civic Center Travelodge motel @ BE9-5188
 1533 Calabrese's Civic Center Cafe restr
 1569 Quiggle Dick Rpr & Serv gas sta BE4-5940
 Texaco Products Distr BE4-7826

Cedar intersects **1B-4A**
 1600 City & County Administration Building (Civic Center)
 Primary Health Center BE9-7711
 Dept of Pub Health BE9-7711
 Dept of Pub Health Div of Sanitation BE9-7711
 Dept of Pub Health Business Management Ofc BE9-7711
 Dept of Pub Health Civil Serv Phys Exam BE9-7711
 lobby James Mabel F Mrs notary pub
 Civic Center News Stand
 City Information Center
 Rooms:
 1 County Auditor Post Audits Div BE9-7561

3 County Dept of Pub Welfare Central Duplicating BE9-7711
 21 County Bldg Insp
 44 County Planning Dept BE9-7711
 48 County Auditor (Tax Acctg Div) BE9-7581
 52 County Central Records Serv BE9-7711
 54 City Hall Coffee Shop restr BE9-4800
 60 City Ofc Servs BE9-7511
 62 City Utilities Dept Commercial Div BE9-7511
 70 City Print Shop BE9-7511
 74 City Parking Meter Section BE9-7511
 77 County Aud (Budget & Claims Div) BE9-7711
 80 City Retirement Ofc BE9-7511
 98 County Aud (Data Processing Div) BE9-7711
 102 County Treas BE9-7711
 103 County Assessor BE4-8819
 110 County Tax Collr BE4-8813
 152 Tax Collector (Delinquent Div) BE9-7711
 153 City Utilities Dept BE9-7511
 157 City Property Div BE9-7511
 160 City Aud & Comptroller BE9-7511
 161 City Purch Agt BE9-7511
 162 City Treasurer BE9-7511
 163 City Planning Dept BE9-7511
 166 County Aud BE9-7711
 201 City County Camp Comm BE9-7711
 202 County Safety Ofcr BE9-7711
 204 County Parks & Recreation Dept BE9-7581
 206 County Recorder BE9-7561
 209 Vacant
 214 County Admn Ofc Civic Center BE9-7711
 252 City Administrative Management BE9-7511
 260 City Utilities Dept Dir BE9-7511
 City Ofc of Operations BE9-7511
 266 City Street Supt BE9-7511
 268 City Eng BE9-7511
 270 City Prosecutor BE9-7511
 271 City Atty BE9-7511
 273 City Industrial Development Comm BE9-7511
 City Urban Renewal BE9-7511
 298 City Manager BE9-7511
 302 Dist Atty County Counsel BE9-7711
 306 Bd of Suprvs Clk BE9-7711
 335 County Bd of Suprvs BE9-7711
 332 City Councilmen BE9-7511
 356 City Clerk BE9-7511
 384 City Pub Library (Governmental Reference Bx) BE9-7511
 403 County Civil Serv Comm BE9-7711
 406 County Civil Serv Comm (Personnel Div) BE9-7711
 407 County Civ Serv Comm Training Dir BE9-7711
 453 City Civil Service Comm BE9-7511
 459 City Tel Exch BE9-7511
 502 County Dept of Bldgs & Grounds BE9-7511
 600 Grand Jury Chambers BE9-7561
 704 County Planning Dept Current Plan Div BE9-7711
 802 City Mayor BE9-7511

Street continued **1B-4**
 1601 Shaw Bros Shell Serv gas sta @ BE9-3254
 1655 Imperial 400 Motel BE2-6391
 1745 Cal-Diesel Serv Co & repr BE2-5602
 1747 Fri Outlet Whse whol sls BE2-7571
Date intersects
 1825 Oscar's Drive-in Restaurant BE9-4831
 1943 Bayview Travelodge motel BE2-7351
 Meyer Ernest BE2-7331
Grape intersects
 2028 Shaw Bros Shell Serv gas sta BE3-8720
 2027 Eddie's Union Serv gas sta BE3-1416
 2045 Keller's Serv Yourself Stations gas sta BE9-2524
 Keller's Car Wash BE9-2524

Hawthorne intersects
 2137 Miyako Sukiyaki Cafe restr BE9-8745
 Top's Motel BE9-7274
 Top's Restr BE9-8745
Ivy intersects
 2200 Solar Aircraft Co BE3-8241
 Solar Air Faith Chapel
 2233 Union Furn Store BE2-6531
 2265 Irving Richfield Serv gas sta BE9-5222
Juniper intersects
 2305 Klinefelter Seaside Serv gas sta BE9-8838
 Seaside Distr Co of SD gas whol BE9-8839
 2353 Airport Travelodge motel BE2-8931
 2401 Accurate Letter Serv BE3-1156
 Cummings Corp of Chicago bus machs BE2-1159
 Diebold Inc ofc equip BE9-5083

2405 Ambrose Co The fishing BE2-1324
 2407 Southwest Admn Inc Teamsters Security Fund Ins BE3-0171
 2431 One-O-One Chuck Wagon restr BE9-5051

W Laurel intersects **1B-5**
 2521 Garrett's Union Serv BE4-5771
 2535 Anthony's Fish Grotto restr BE2-5163
 2665 Lewis Super Serv CY6-4112
 2775 Hertz Corp The (parking lot)
Nutmeg intersects
 2830 Standard Stas Inc CY6-9313
 2905 Newton's gas sta CY6-1953
 2980 Linbergh Field BE3-0181
 American Airlines Inc BE2-7873
 Avis Rent-A-Car Sys BE5-3111
 Bonanza Air Lines Inc CY6-6144
 Cal Rent Car CY7-1828
 Delta Air Lines CY7-3735
 Exec Air Serv pilot training sch CY6-3966
 Hertz Corp The car renting CY7-4424
 Muni Airport Lindbergh Field BE3-0181
 Mercury Internat Trav Insurance ins CY8-9724
 Mercury Internat Underwriters ins CY7-1828
 Pac Southwest Airlines CY6-4611
 Sky Chiefs Inc restr CY6-6241
 Swift Air Serv CY8-1454
 United Air Lines BE4-7171
 US Fed Aviation Agency Airport Traffic Control Tower CY7-8410
 US Fed Aviation Agency Air Traffic Flight Serv Sta CY6-3181
 US Weather Bur CY6-3181
 Western Air Lines Inc CY8-8861
 Western Union Telegraph Co CY6-2633
 3125 Prophet Co The restr CY5-8974
 3185 Vacant
 3302 Genl Dynamics-Convaire coty & plant
 3395 Convaire Recreation Assn Club House CY6-6611
 3605 Jet Chem Co Mfg CY8-9104
Bear begins
Washington intersects
Clayton intersects
Sutherland intersects
 3877 South Seas Cafe CY5-1606
 3879-85 Volt Technical Corp wk shop
 3955 Pac Highway Vet Hosp CY5-4231
 3911 Machinists Building
 International Assn of Mach Union
 Silvergate Dist Lodge No 50 CY8-9301
 Silvergate News Publishing CY8-9301

Rooms:
 102 Volt Technical Corp publication CY7-2811
 104 CKF-M genl contrs CY7-1681
 Contracting & Matl Co genl contrs CY7-1681
 Foster-Marsch Corp genl contrs CY7-1681
 Kenny Const Co of Illinois genl contr CY7-1681
 203 Radio Sta KDEO CY8-8371
 210-11 IAM Federal Credit Union CY8-2818
Noell intersects
 3923 Little R W Co sandblasting contrs CY6-3754
 3927 Zone's Doughnut Shop restr CY6-9405
Estudillo begins
 3955-57 Whittiker's furn CY7-3251
 3967 Whittiker's Used Furn CY8-4173
Wright intersects
 4002 Al's Auto Ext CY6-4851
Randini intersects
 4023 Wright Refrigeration Inc CY6-6336
 4031 Artistic Drapery Mfg Co CY7-4288
 4035 Mann C G Co Inc alum sls CY7-3591
 4081 Acoustics Engg Inc restr CY7-1857
 Chemiphase Inc chem mfr CY8-6131
 Clairemont Tile Co Inc restr CY7-1867
 United Tile & Terrazzo inc restr CY7-1867
 Western Tile Co Inc restr CY7-1867
 4085 Martinez Salvador shoe restr
 Pac Services cins CY8-6880
 4089 Pac Services Barber Shop CY7-2106
 4091 Pac Services Coffee Shop restr CY6-6300

Couts intersects
 4101 Pac Rest Motel CY8-8384
 4141 KGB Inc radio sta CY7-2201
Witherby intersects
 4297 Convaire (Div Genl Dynamics) plant No 2 CY6-9871
 Prophet Co The restr CY5-8974
 4306 Stephenson's Chevrolet gas sta CY6-8316
 4359 Acme Pipe Co CY6-2143
 4360 Duston Mkt Equip CY7-3771

UPAS/COLUMBIA 1961

RACING

CASH POOL

729

UPAS—Contd

2328 McIntosh John A @ CY5-9445
Texas intersects
 2420 Reyburn Lewis F @ CY5-5307
 2426 Sawyer Nelson S @ CY8-2694
 2436 Evans Walter B @ CY6-9997
Arizona intersects
 2516 Hallquist Carl S @ CY5-1969
 2518 Caperton Virginia V Mrs @ CY6-4258
 2530 Stoklosa Richd G @ CY8-1338
 2586 Kellar Jas W @ CY8-0325
Arnold intersects
Villa Terrace intersects
 2602 Brown Neva C Mrs @ CY6-0504
 2612 Davis Vernon E @ CY5-2844
 2615 Vacant
 2619 DeKnikker Bert CY6-2979
 2620 Grant Robt @ CY6-3307
 2624 Aycock Jesse M @ CY8-0240
Perching av intersects
 2704 Bennett Gertrude M Mrs @ CY8-3346
 2716 Matson Eileen B Mrs @ CY5-1219
 2728 Belden Chas L @ CY6-2275
 2738 May Della M Mrs CY8-6369

28th intersects

Utah intersects
Granada intersects
 2812 Barnaby Frank W CY8-3447
 2828 Bingham Larry R CY8-8363
 2828 1/2 Vacant
 2830 Kansas City Life Ins Co CY5-8824
 Rice Herbert W CY5-9824
 2832 Sullivan John F @ CY5-7987
 2853 Vacant
 2873 Bunham Jas W CY8-2979
 2875 Phillips Bessie M Mrs @ CY8-6293

29th intersects

2905 Davies Jas H @ CY6-8760
 2911 Cresswell Clementine Mrs @ CY8-5219
 2917 Pendleton Nellie M Mrs @ CY5-2889
 2922 Sandy's Cancellation Shoe Store (whse) CY7-5889
 2923 Specialized Radio & TV Serv repr CY5-0260
 2925 Clarence's Barber Shop CY8-5782
 Bolson Clarence E @

Dale intersects

2959 Vacant
 2965 Curb Ladry @ CY8-4081
 2969 Upas Food Mkt gro CY5-7656
 2975 Watkaiki Tavern CY6-9312
 2977 Upas Hdq CY5-0352
 2979 Vacant
30th intersects
 3025 Bridges Janet I. Mrs @ AT1-7064
 3026 Neal Bill Photographer CY7-3286
 Neal Bill
 3028 Four Corners Tavern CY6-9194

Ray intersects

3035 Lisenbery Robt M AT3-4871
 3036 Watson Texaco Serv gas sta AT4-6580
 3040 Skelley Tom Serv Sta auto repr AT1-1901

Grim av intersects

3055 Taylor Pauline E Mrs @ AT1-2060
 3074 Lawrence Axel R @ AT1-3760
 3075 Vacant

31st intersects

3108 Vacant
 3114 Morgan Tom
 3115 Siepanovich Andrew R AT2-6056
 3127 Faust Amelia E Mrs @ AT4-7091
 3128 DePauw Paul C
 3130 Vacant

Herman av intersects

3162 Vacant
 3162 1/2 Vacant
 3174 Wilson Malcolm A @ AT2-6877
 3177 Weidmann Paul AT2-7079

32d intersects

3215 McLoughlin Charlotte Mrs @ AT1-7655
 3218 Bentley Peter C AT3-4012
 3224 Barry Robt L @ AT4-8058
 3231 Castro Esther F Mrs
Bancroft intersects
 3254 Reed Robt N AT2-8012
 3271 Philip Fraser D AT4-2747
 3274 Vacant
33d intersects
 3305 How H @ AT1-8127
 3316 Jellero's Margt T Mrs @ AT2-0802
 3317 Nash Alice S @ AT4-7213
 3322 Kunchess Mary S Mrs @ AT1-1623
 3324 Pond Rubt P @ AT4-2508

3325 Cunningham Barrett L @ AT1-4447
 3344 Tschirgi F Horace @ AT4-2389
Felton intersects
 3364 Ayala Cruz L @ AT1-2159
 3376 Preibstius Louis J @ AT4-0285
 3380 Alford Edw J @
 3386 Andrade Crispin E @ AT2-2000

UPAS WEST—From 3400 1st av west

102 Conklin Laura T Mrs CY5-9644
 104 Thomas Arth H CY8-8089
 108 Lawson Robt
 107 Grijalva Helen M
 106 Gubring Norman J CY6-3756
 109 Jimmett Jerry
 128 Belleville Frank R CY8-2881
 122 Meklenack Henry R CY8-9119
 124 McKewen Carol CY6-4816
 128 Freeman Carl CY8-2548
 142 MacNish Miles H CY8-2887
 144 Hennessy Diana M CY7-3384
 146 Vacant
 148 Cook Clarence E CY8-0301
Front intersects
Albatross intersects
 335 Reemelin Louis F @ CY5-1254
 336 Fingerman Ernest V @ CY8-7922
 410 Wimmer John D @ CY6-4627

Reynard way intersects

702 Gould Leslie H @
 705 Johnson Roselva Mrs @ CY8-5820
 716 Chiodo Jos @ CY5-0447
 719 Shultz Nat CY8-0273
 724 Vacant
 726 Long Virginia A BE2-6991
 728 Nay Don L CY8-8520
 729 Field Hollis C @ CY8-2835
 730 Vacant
 732 O'Dell Thos E CY8-6190
 741 VanKeuren Amelia S Mrs @ CY5-4230
 753 Kepelman Herbert @ CY5-3510
 807 Busalacchi Thos J @ CY6-1445
 810 Delaval Judy M Mrs @ CY6-1489
 817 Engellhorn Bruce K @ CY5-8222
 820 Kinnie Lawrence O @ CY5-2592
 822 Farrow Wm @ CY5-1072
 845 Razzeto Chas @ CY8-5826
 850 Foreman Marshall L jr CY5-7380
Goldfinch intersects
Hawk intersects
 1040 Brown Ruth E Mrs @ CY8-8569
Falcon intersects

Kite intersects

1307 Rundle Gerald G @ CY8-3327
 1315 Griffin Fredk G @ CY5-1317

Union intersects

1508 Rose Fred
 1508 Vacant
 1510 Irving Michl CY8-8235
 1512 Vogel Roy E CY6-4472
Columbia intersects
India intersects

UPLAND—From 1600 50th east

6038 Vacant
 6080 Wumberly Clarence P @ CO4-6332

UPSHUR—From 1050 Shafter west, 2 east of Rosecrans

2828 Imperial Hse Apts. AC4-1606
 101 Vacant
 102-03 Psario Robt S AC2-4616
 104 Post Donald M AC4-1845
 105 Jones Burton
 106 Vacant
 107 Eider Jas C AC3-0886
 108 Flynn Helen W Mrs AC3-0886
 109 Vacant
 110 Vacant
 111 Vacant
 112 Rochester Mary Mrs
 113 Sanders Robt
 114 Vacant
 115 Vacant
 116 Livingston Ruth Mrs
 117 Vacant
 118 Vacant
 119 Vacant
 120 Childs Agnes E AC4-3092
 121 Cahn Donald L AC2-3638
 122 Smith Walter M
 123 Vacant

124 Vacant
 125 Vacant
 126 Simard Jos
 201-04 Vacant
 205 Kepel Al
 206 Vacant
 207 Johnson Jessica Mrs AC2-8178
 209-10 Wortham Thos
 211 Vacant
 215 Tillisch Ingelborg
 216 Miller Philip E
 218 Brownstein Aleck H AC4-1635
 219-22 Vacant
 223 Smith David McK AC2-8778
 224 Kendrick Evelyn
 225 Kunzelman Chas
 226 Marchand Nancy L
 227 Dayton Andrew AC3-7562
 2301 Vacant
 2301 1/2 Prado Louise M AC4-2696
 2303 Moore Chas
 2303 1/2 No Return
 2305 Morrison Chas C AC2-3749
 2311 Kirkaley Eval AC3-7022
 2318 Choy Dai Mon AC3-8566
 2319 Devlin Frances M Mrs
 2320 Owensby Wm T AC4-1955
 2321 Luz Jos AC4-1324
 2322 Barron Laura J Mrs
 2324 Vacant
 2324 1/2 Roberts Richd A
 2326 Vacant
 2326 1/2 Vacant
 2327 Teixeira Mary R Mrs @ AC2-4159
 2328 Jessie Donna M AC4-2527
 2332 Ponds Thos A jr AC2-7562
 2333 Point Loma Fix-it mice serv AC2-2088
 2334 Kipp Helen P Mrs AC2-5622
 2336 Mendes John
 2338 Cal Alex
 2340 Andrade Manuel @
Rosecrans intersects
 3000 Tearle & Emerson naval archts AC2-4022
 3014 Faran Fred R AC2-6954
 3018 Vacant
 3019 Chamberlin Maude M Mrs AC2-4235
 3020 Vacant
 3022 Sneddon John A AC2-7663
 3024 Hall Jas
 3026 Vacant
Armada ter intersects

UPSHUR DRIVE—From 3224 Barnett av northwest

2602 Williams Geo
 2604 Trotter Robt L AC4-1888
 2606 Vacant
 2608 Walker Glennon D AC3-0045
 2612 Moore Leonard
 2614 Ferris Andrew C AC3-8542
 2616 Vacant
 2618 Vacant
 2622 Vacant
 2624 Simmons Allan F AC2-5483
 2628 Lane Louie E
Blakely dr intersects
 2701 Vacant
 2702 Pierce Wayne A
 2704 Streater Elmer L
 2705 Smith Geo A
 2706 Under Consin
 2707 Vacant
 2708 Guzman Edw P
 2711 Blunt Lloyd R
 2712 Holt Jas C AC2-2126
 2714 Nigma Lloyd W AC3-6154
 2716 Under Consin
 2717 Altz Francisco G AC4-2388
 2718 Barrett Benj S AC3-8373
 2719 Oberg Dale E AC2-2690
 2721 Michelson Dan L
 2722 Vacant
 2724 Secory Alvert W
 2725 Dean Robt J AC2-5569
 2726 Vacant
 2727 Tolan Geo
 2728 Vacant
 2731 Jalun Eton W
 2732 Covington Leslie L AC2-4886
 2734 Garcia Santiago AC2-0648
 2735 Jefferson Billie jr AC2-7543
 2737 Vacant
 2738 Wright Theo M AC4-1874
 2741 Anderson Bernard P AC4-2343
 2742 Smith Donald E AC2-1473

VINE ST 1961

741

VILLA TER—Cont'd

3682-88 1/2 Wickkeys Theaps
 3683 Tibbetta Harold L. © CY6-6707
 3684 Vacant
 3686 Vacant
 3688 Vacant
 3688 1/2 Brisby Eug J ©
 3693 Bailey Lela E © CY5-8867
 3694 Ward Beatrice Mrs CY5-6628
Landis intersects
 3704 Lansaw Virgil C © CY5-6943
 3710 Stock Wm J © CY5-5362
 3714 Vacant
 3715 Wehn Valborg M Mrs © CY6-6792
 3719 Perez Nino Y CY5-4380
 3720 Malomson Chas E © CY5-8227
 3725 Moody Glenn A © CY6-4710
 3730 Van Dort Tom © CY6-8528
 3731 Kader Marie M Mrs CY6-4588
 3731 1/2 Mot Chas A Rev CY5-8348
 3733 Baker Wm S
 3733 1/2 Kenney Michl N CY8-9261
 3734 Godwin-Austin Jack D CY5-8681
 3735 Baldwin Jacob G jr CY5-7136
 3735 1/2 Yoshia Matsuka
 3736 Vacant
 3736 1/2 Hewitt Thos M
 3737 Vacant
 3737 1/2 Donovan Frank L
 3738 Stahlfeld Anna P Mrs © CY6-6267
 3738 1/2 Vacant
 3745 Brigham Jack H © CY5-4774
 3745 1/2 Trease Wm L
 3746 Rush-Edw T © CY8-5983
 3748 Regozzi Ralph
 3750 Berger Diana K CY6-0557
 3751 Newton Earl R © CY8-8621
 3752 Lucke Louis E © CY5-7607
 3761 Murphy Edw J CY8-2259
 3762 Paterbaugh Geo R © CY5-7188
 3782 1/2 Squillace Dante
 3784 Vacant
 3786 Re Walter S
 3787 Gault Walter W ©
 3788 Vacant
 3770 Danforth Edgar E
 3772 Vacant
 3775 MacDonal Raymond E CY8-2897
 3776 Jordan Henry E ©
 3777 Bethel Victor E CY8-3133
 3783 Freeberg Louise B Mrs © CY8-5378
 3784 Switzer Carrie L Mrs © CY8-4781
 3785 Fitzgerald Edwin L CY8-3705
 3788 Brown John F CY5-6455
 3784 Peckins Roy E © CY6-1874
Wightman intersects
 3803 Dyer Lucile V Mrs CY6-8435
 3806 McDermott Thos J © CY6-4679
 3808 Hopton Bessie Mrs CY5-6841
 3809 Perkins Billy G
 3810 Donnelly Dorothy CY5-2391
 3810 1/2 Weber Ethel Mrs CY8-8625
 3811 Connigan Stanley
 3812 Vacant
 3813 Young James R
 3814 Smith Palmer C © CY5-7304
 3815 Corning David S CY8-0365
 3817 Harris Florence M Mrs
 3819 Edwards Dorothy G Mrs CY5-8363
 3820 Byrne Helen C Mrs CY5-9489
 3823 Howe Lena M CY5-5713
 3823 Metcalf Mary Mrs CY8-8534
 3830 Hamlin John W CY6-3442
 3830 1/2 Smith Grace Mrs © CY5-2329
University av intersects

VILLAGE PLACE—From Zoo dr east, 1 north of El Prado 82

VINCENTE WAY (LaJolla)—From LaJolla blvd east, 2 south of Palomar 93

404 Bradley Berta Y Mrs © GL4-5425
 405 Rudnick Philip © GL4-7459
 411 Booth Fredk A © GL4-4547
 412 Buehman Wm L © GL4-1215
 419 McGowan Lewis A jr © GL4-7027
 420 Brown Everette R © GL9-5438
 427 Floyd Chas E © GL4-2982
 428 Laughier Thos G © GL4-0049
 436 Vacant
Dowling dr intersects
 531 Mason Mary F Mrs © GL4-6813

VINE—From 3550 Union west 9

1405 Chise Douglas CY5-2242
 1405 1/2 Moore Mae K Mrs CY5-9563
 1412 Ballistreri Steve © CY8-5103
 1417 Vinyard Fred A © CY6-1134
 1420 Hermes Wm H © CY5-1394
 1421 Jenkins John W © CY6-4756
 1430 Day Robt P © CY5-4884
 1438 Mills John C CY8-8056
 1440 Johnson Huntley F CY6-4771
 1442 Lowe Billy E CY5-5630

1449 Wells Charlotte R Mrs © CY5-6561
State intersects
 1501 Alexander John © BX5-9645
 1511 Young Vera E Mrs
 1515 Muehlisen Vesta C Mrs © CY5-4321
 1516 SaVile Loretta M Mrs © CY6-3080
 1524 Teixeira Larry ©
Columbia intersects
 1621 No Return
 1623 Martin Carl G
 1629 Morton James K
India intersects

VINE COURT—From 1/2 block west of 750 S 29th east 26

VINLEY PLACE—From 6300 Del Cerro blvd north 240

5725 Vacant
 5728 Shilson Jas S © JUN-1787
 5738 Sanders Robt W © JU2-9516
 5750 Miller Robt W © JU3-2216
 5755 Overway Edw © JU2-4588
 5762 Isabel Donald A © JU3-3207
 5767 Phillips Leroy M © JU2-9473
 5774 Anderson Bruce W © JU3-3359
 5783 Sharp Clarence F © JU3-1328
Lambda intersects

VIOLA—From 2200 Morena blvd east 127

1204 Vacant
 1206 Morrow Edw
 1208 Vacant
 1212 Quick Cora Mrs BR6-3587
 1214 Medina Ernest BR6-0939
 1216 Shepherd Cora A Mrs BR6-3783
Gertrude intersects
 1308 Twombly Robt N © BR6-1956
 1312 Gallo Helena F Mrs © BR6-1890
 1320 Kidare Barney W © BR6-0478
 1325 Hauer Wm W © BR6-2537
 1344 Baker Harvey H © BR6-1186
 1345 Alberico Anthony F © BR6-1614

VIOLET—From 1 block south of Sycamore dr north 202

2502 Peabody Edwin E © AT4-2940
 2504 Blakesley Marjorie R
 2507 Dugal Eva N Mrs © AT4-0594
 2510 Hochwender Eleanor K Mrs © AT2-8286
 2511 Stevens H AT3-4581
 rear Dugal Arth M © AT3-3687
 2518 Evans T Byron © AT1-9655
 2519 Wipek Fredk J © AT2-6477
 2524 Lorentson Alex © AT4-0766
 2525 Sullivan John © AT1-2065
 2530 George Ruth G Mrs © AT1-8355
 2538 Johnson Robt L AT1-8718
 2539 Oliver Waldon C © AT1-0237
 2537 Schwartz Harry A © AT2-2888
 2540 Wilkerson Roy C © AT2-9300

Sycamore dr intersects
 2544 Arevalo Fred © AT1-8939
 2547 Ferricano Geo J ©
 2548 Liberator Molly L Mrs © AT1-2377
 2560 Choate Jeanette C Mrs © AT4-4597
 2564 King John M © AT1-7000
 2568 Jacobs Marvin F © AT1-4695
 2571 Adams Geo J
 2572 Wall Thos C © AT2-9853
 2576 Brainard Percy C © AT2-6496
 2581 Spears Jack O AT3-4067
 2583 Shastren Thos O © AT1-4846
Pepper dr intersects

2608 Stranberg Genevieve C Mrs © AT4-5335
 2614 VanBuren Harry C © AT4-8806
 2622 Gonzalez Pam Mrs AT3-5215
 2623 Wright Jas N © AT4-0427
 2624 Juhls Aug H © AT1-1095
 2625 Vacant
 2625 DeKney Chas R AT1-8888
 2631 Fickett Walter H © AT1-3085
 2632 King Jas E © AT1-4895
 2634 Fleetwood Le Trice
 2635 Crabtree Raymond
 2637 Krugle Chas AT4-2816
 2639 Vacant
 2640 Ineson Alan © AT3-4664
 2643 Carpenter Ernest W © AT1-6014
 2646 Kichey Wm A AT3-3486
 2648 Crawford John © AT2-0928
 2649 Mitchell Donald G AT1-3362
Poppy st ends
Manzanita dr intersects
 2651 McClellan Gerald F AT2-5527
 2652 Pohl Richd A AT4-2634
 2658 Regallo Harold M AT3-3558
 2661 Mitchell Guy W © bidg contr AT1-1386

VIRGINIA AVENUE—From Stanley av south, 1 east of Seminole dr 148

4567 May Jack W © JU3-1719
Acron intersects
 4568 Stanberry Thos G © JU2-0508
 4575 Savel Jas S © JU2-2809
 4576 Seidel Geo A © JU3-3949
 4583 Dowell Kenneth jr © JU2-4053
 4584 Ibe John G jr © JU2-4602
 4591 Skelton Byron M © JU3-7418
 4592 Magee John W © JU2-3711
 4611 Tripp Chas E © JU2-7705
 4612 Holmes Fred E © JU2-4014
 4617 Schrempf Fred A © JU2-8422
 4618 Orr Edw R © JU2-9413
 4623 Loman Kather M Mrs JU3-7153
 4624 Stephen Edgar M JU2-8453
 4629 Rinder Wm F C © JU2-1932
 4630 Peale Wm R © JU3-3692
 4635 Schaner Alex T © JU3-7035
 4641 Butler Frank O © JU2-7541

VIRGINIA AVENUE (San Ysidro)—From San Ysidro blvd south, 1 west of Chicago av 264

24 Dunkak Aug © GA8-1863
 26 Mahan Delmar © GA8-1852
 29 Holbrook Norvil F © GA6-1517
 121 Vacant
 123 Vacant
 125 Benson Frank L
 127 Kinninger Cletus
 129 Shell Maxwell GA6-1532
 130 Dalley Saml M
 131 Vacant
 132 Festington Margt J Mrs
 133 Mendoza Bertha Mrs
 147 Martinez Dolores Mrs GA8-1884
 142 Clarke Thos GA8-1478
 290 Tolleson Arne C © GA8-1324
 282 Thoromix Feed Store GA8-1407
 Zager Wallace F
 281 Vacant
 285 Haskell J C jr GA8-1820
 289 Gutierrez Fidel J GA8-1735
 325 Velasquez Juanita Mrs
 327 Carrillo Ignacio
 329 Vacant
 331 Burriel Arth
 333 Padilla Raquel Mrs GA8-1884
 335 Villegas Geo
 337 Billa Manuel
 339 Perez Antonio

VIRGINIA WAY (LaJolla)—From 7600 Girard av east and northeast, 1 south of Torrey Pines rd 153

Herschel av intersects
Torrey Pines rd intersects
 1027 Bay Shore Mar autos GL4-0456
 1105 Baker Geo A GL4-4658
 1126 Embery Harry A © GL4-3075
 1121 Bralits Charlotte F Mrs © GL9-5718
 1127 Helmstra Richd G © GL4-5411
 1138 Flora Eliza U Mrs © GL4-1861
 1142 Baraca Zita Mrs © GL4-7623
 1155 Penry Willard W © GL4-4955
 1156 Thompson Bob
 1168 Storm Margt S Mrs GL9-5781
 1178 Everett Horace D © GL4-4137
High av intersects
 1201 Thomas Jack E © GL4-6995
 1208 Staley Allen C © GL4-2056
 1211 Irvine Willard W © GL4-7342
 1214 Davidson Muriel A Mrs © GL9-5877
 1221 Crocker Harold M © GL4-3571
 1224 Nicol Duncan D © GL9-5073
 1231 Watson E Morgan © GL4-7881
 1235 Siddmore James G © GL4-0848
 1236 Williamson Arth H © GL9-5071
 1245 Tavares Cecilia Mrs ©
 1246 Smith Francis M © GL9-5597
 1252 Gardner Frank M © GL4-7563
 1257 Steese Evelyn D Mrs © GL4-3365
 1260 Baker Edwin M © GL9-5633
 1263 Thurmond Ethlin B © GL4-7008
 1271 Zender-Browne Thos J © GL4-1841
 1274 Fox Kathleen S Mrs GL4-1717
 1275 O'Laughlin Helen © GL4-6608
 1285 Murray Frank B GL4-1243
 1287 Schurmer Geo GL4-7208
 1289 Simonds Ana F Mrs © GL4-6884
Ivanhoe av intersects
 1301 Lukins LaRue GL4-1932
 1304 Ford Evelyn P GL4-5036
 1314 Dasse Mary R Mrs © GL4-6049
 1321 Greene Lenore © GL4-5218
 1324 Russell Ruth H Mrs © GL4-6602
 1325 Rathell Sam T © GL4-1844
 1328 Vacant
 1338 Miles W Horace © GL4-4166
 1345 Murphy Edwin F © GL4-4103
 1350 Donaldson Elise © GL4-2697
 1351 Booth Richd F © GL4-4608
 1356 Gardner John S © GL4-2982

WALNUT AVE W 1961

FEDERAL TERMITE CONTROL SERVICE

OF SAN DIEGO COUNTY
REPORTS FOR LOAN OR ESCROW - ESTIMATES & INSPECTIONS
Constant Since 1938

1607 UNIVERSITY AVE.

SAN DIEGO 3

TEL. CYPRESS 8-1163



WAGO-Contd

- 3535 Ernsperger Wm E @ BR4-3889
- 3543 Pyle Ray D @ BR3-1568
- 3551 Morris Roucena H @
- 3539 Kennedy John W @
- 3587 Wilkie Robt W @ BR3-0108
- 3575 Chaboski Joseph E BR3-8775
- 3583 Curtis Myrceta L Mrs BR3-3047
- 3493 Santiano Arth @ BR3-8711
- 3611 Borsy Chas S BR3-8268
- 3619 Ferguson Walter J @ BR3-8982
- 3627 Riggs Newell R @ BR3-1232
- 3635 Blooms Harley F @ BR3-2073
- 3643 Newman Dan @ BR3-5381
- 3651 Bulone Angelo C @ BR4-4528
- 3659 Smith Geo W @
- 3667 Loftin Nolan A @ BR3-5208
- 3703 Booth Frank D @ BR3-0488
- 3711 Phillips Wm P @ BR3-5482
- 3718 Vancucci Joan M Mrs @
- 3727 Carter Elmer @ BR3-1586
- 3735 Randles Lorene R Mrs BR3-9204
- 3743 Hough John D @ BR3-1348

198

- ### WADE--From Carditt east, 1 north of San Vicente
- 8505 Vacant
 - 8530 Allen Walter E
 - 8540 Singleton J P @ HO9-8975
 - 8550 Jones Chas W
 - 8560 Salas Miguel HO3-5249
 - 8565 Ace Roy V @ HO9-7875
 - 8570 Bagley Carl E @ HO9-5500
 - 8580 Baunclaster Victor J @ HO6-1210

143

- ### WAGNER AV--From Dorchester southwest to dead end, 1 north of Guild
- 8940 Thomas Wm R @ BR7-7884
 - 8950 Scaldino John J @ BR8-2010
 - 8961 Rucker Robt C @ BR7-9248
 - 8971 Purdy Chas A @ BR8-3483
 - 8979 Boone John M @
 - 8987 Scott Jas C BR8-1257
 - 9088 Cook Donald D @ BR7-0502
 - 9396 Danielson Raymond @ BR7-1224

148

- ### WAGNER PL--From Wagner av northwest-erly to dead end, 1 east of Marathon
- 3303 Statton Frank @
 - 3317 Lee Austin @
 - 3331 Smith Donald J @ BR7-1438
 - 3304 Johnson Clifford T @ BR8-9789
 - 3618 Vacant
 - 3632 Harter Chas R @ BR8-2706

178

- ### WAITE DR--From Nassau dr east to Front
- 6808 Kutscher Marvin F @ JU2-8111
 - 6816 Vacant
 - 6820 Tranter Harry JU2-6769
 - 6828 Bly Loren D
 - 6832 Vacant
 - 6838 Vassola Joseph L @ JU3-7638
 - 6836 Yukas John F @ JU2-8528
 - 6844 Farmer Geo W @ JU2-4542
 - 6847 Noyes Jack F @ JU2-8274
 - 6855 Faxon Albert J @ JU3-0940
 - 6863 Williams Eug C @ JU2-3980
 - 6871 Smith Wm J @ JU2-5831

153

- ### WALL (LaJolla)--From 7900 Girard av east, 11 south of Prospect
- 1008 Public Library (LaJolla br) GL4-3174
 - 1008 Athenaeum Mus & Arts Library GL4-5872
 - 1026 Parson's Felix Shop woman's clo GL4-4664
 - 1030 Bowers Jwrs GL9-5165
 - 1032 Security First Natl Bk (LaJolla br- Escrow dept) GL4-0151
 - 1039 Walker Scott Youth Center dept store GL9-3321
 - 1041 LaJolla Variety Store GL9-5336
 - 1044 Security First Natl Bank (LaJolla br) GL9-4311
 - 1047 Fay's Candy Core GL4-5522
 - 1051 LaJolla Sporting Gds GL9-3359
- ### Herschel av intersects
- 1100 LaJolla Fed Sav & Loan Assn GL4-0744
 - 1101 Chases Alex M Co real est GL4-7184
 - 1107 Health & Diet Foods GL4-4559
 - 1111 Coffee Cup The restr GL4-2619

- 1116 Stephen-Hassard Quintin M dentist GL4-2021
- 1117 Shepherd Building Harrison John A dentist GL4-1248 LaJolla Credit Assn GL4-2375 GL4-8044 Longstreth Enterprises authora GL4-4811 Miller Mige Co GL4-4039
- 1121 DeJarnette Realty GL4-8105 DeJarnette Ira L GL4-8105
- 1122 Scotty's Mkt gro GL9-5415
- 1123 Harry's Laundry & Clns GL4-4890
- 1124 Kiva's Beauty Studin GL4-4004
- 1125 Vacant
- 1127 Hayden Stone & Co Inc stock brokers GL9-3415
- 1128 Susan's Toy Center GL9-5104
- 1131 Allen Willis M Co real est GL4-9721 Allouridge Corp The real est GL4-9721
- 1140 US Post Ofc (LaJolla) GL4-7139

28

- ### WALLACE--From 2800 Davis northeast
- 3253 Shelton John W Jr CY9-4360
 - 3263 Shelton John W
 - 3276 Mailoux Russell P CY5-0211
 - 3280 Perez Alphonzo
- ### San Diego av intersects
- 4196 Vacant
- ### Calhoun intersects
- Juan intersects
 - 4135 Abrego's Golf Sch & Clinic CY5-9476
 - Presidio Hills Golf Course CY5-9476

186

- ### WALLACE CT--From National av north 3 east of 39th
- 912 Cartledge Geo @ CO4-2813
 - 916 Hernandez Filomeno @ CO4-7128
 - 920 Gallardo Dompadro @ CO4-1338
 - 927 Ginos John G @ CO4-5873
 - 930 Doran Hospicio @ CO4-1452
 - 931 Bruch Saml R @ CO4-4886
 - 941 Novotny Corralte A @ CO2-7739
- ### National av intersects

106

- ### WALNUT AV--From 3500 1st av east
- #### 115 Apartments
- 1 Vacant
 - 2 Harris Wm E CY9-5356
 - 3 McKenna Lawrence P
 - 4 Simpson Clyde L
 - 5 Self Wayne CY8-8868
 - 6 Humphreys Blythe CY6-3871
 - 7 Smith Eva
- ### Street continued
- 149 Basham Clinton M @ CY6-9911
- ### 2d av ends
- 205 Reeves Jas E phys CY5-2147
 - 207 Maurer Esther L phys CY6-0188
 - 214 Perry Harold E
 - 221 Vacant
 - 225 Stanton Eleanor @ CY5-5578
- ### 3d av intersects
- 305 Schlefer Wm E dentist CY8-7181
 - 306 Low Corinae P Mrs @ CY5-0871 Elliott Ralph CY8-7021
 - 328 Putnam Anne R @ CY5-8669
 - 335 Pine Villa Terrace motel CY8-9428
 - 338 Pine Villa Terrace motel CY6-9428 McCoy Barney L @

205

- ### 4th av intersects
- 418 Torres Alfonso CY5-7489
 - 420 Belford Wm W phys CY5-2129
- ### 5th av intersects

106

- ### WALNUT AV WEST--From 3500 1st av west
- 181 Augustine Mary Mrs CY6-1324
 - 183 Dorsey Jack
 - 185 Buchan John C CY8-4509
 - 189 Galvin Virginia E Mrs
 - 111 Byrd Denver E CY8-5873
 - 117 Sciliant Anna @
 - 119 Vacant
 - 130 Vacant
 - 131 Bailey Orland N CY8-4391
- ### Front intersects
- 204 Vacant
 - 205 Sherwood Edyth

- 211 Fay Mary L Mrs @ CY5-2482
- 220 Thurston Saml S Hy CY7-3498
- 246 Ray Robt R CY5-0919

13

- ### Albatross intersects
- 315 Kendall Cora E Mrs @ CY5-2380
 - 321 McVey Margt M @ CY3-1655
- ### Curlew intersects
- 605 Zakl Emmett B @ CY5-3222

11

- ### Goldfinch intersects
- ### Hawk intersects
- 1004 Tuohy Robt E @ CY5-0383
 - 1012 Farnsworth Chas C @ CY5-7944
 - 1021 Vacant
 - 1025 Jones Newell N @ CY8-3396
 - 1041 Enright Patk J @ CY8-1873
 - 1161 Morgan Frank J @ CY8-4483

15

- ### Isis intersects
- ### Jackdaw intersects
- 1300 West Francis E @ CY6-1784
 - 1333 Dennis Lynna H Mrs @ CY3-2000
- ### Lark intersects
- ### Union intersects
- 1608 Briggs Christine W C Mrs @ CY5-1941
 - 1617 Flynn Joseph T CY7-5135 rear Vacant
 - 1621 Brown Clair W @ CY8-7383
 - 1623 Cusady Derek B CY8-8612
 - 1626 Duclos Homer @ CY8-4980
 - 1627 Wyman Elsa
 - 1628 Vacant
 - 1631 Vacant
 - 1703 Myers Maurine Mrs @ CY6-6438
 - 1708 Regan Chas CY6-3493
 - 1709 Davis Harry M @ CY5-9114
 - 1711 Brasilwaite Lloyd N CY8-2801
 - 1717 Milligan James A CY9-2153

174

- ### WALSH WAY--From Saxon east, 1 south of Remington rd
- 5112 Blumer Benj @ JU3-5283
 - 5115 Greenwood Robt C @ JU2-4072
 - 5127 Nassin Saml @ JU2-2029
 - 5138 Drexler Robt B @ JU2-8919
 - 5139 Gerstler Sidney @ JU2-9022
 - 5151 Grawunder Ralph M @ JU3-1344
 - 5152 Salvato Louis V @ JU3-3396
 - 5153 Kallander Robt J JU3-1327
 - 5164 Vacant
 - 5173 Foster Geo H @ JU3-2845
 - 5174 Johnson Arvid T @ JU2-3624
 - 5183 Elman Harry @ JU3-0754
 - 5184 Nicolin Michl J @ JU2-5415

244

- ### WALTER AV--From 6705 Winona av east, 1 south of Greenbrier av
- 4907 Wilcox Allison W @ JU3-2755
 - 4908 Heald Dant A @ JU2-2835
 - 4919 Hopkinson Kleofa B @ JU2-3087
 - 4920 Gear Eli C @ JU8-9019
 - 4937 Busby Paul jr @ JU3-6126
 - 4932 Zellick Rudolph @ JU2-8376
 - 4943 Kaminsky Steven J @ JU2-0032
 - 4945 Johnson Kenneth H @ JU2-1410
 - 4955 Hargis Ricard @ JU3-1988
 - 4956 Innocci A Vernon @ JU2-2573
 - 4987 McCullough David C @ JK2-8959
 - 4988 Martin John M @ JU2-2998
 - 4979 Hilgeman Lawrence @ JU3-4244
 - 4980 Dr-Jussi Jesse J @ JU2-5184
 - 5007 Westman Jas E @ JU3-1318
 - 5008 Rogers Jas R @ JU2-8584
 - 5019 Suchar Meold @ JU2-8781
 - 5020 Hawkins Lynn E @ JU3-3384
 - 5031 Corham Clarence W @ JU2-1183
 - 5032 Morris Lester M @ JU2-5297
 - 5043 Danielson Ephraim R @ JU2-7816
 - 5044 Burak Jack @ JU2-4959
 - 5055 Nygaard Hal @ JU3-1665
 - 5058 Hernandez Alphonso Jr @ JU3-4739
 - 5087 Harrison Robt C @ JU2-9483
 - 5088 Gahndou Helen A Mrs @ JU2-7643
 - 5078 Tomash Wm @
 - 5080 Osborn John R @ JU2-5785

222

- ### WALTON PL--From Ohio east, between Monroe av and Madison av
- 3057 Scharf Florentine M Mrs AT4-3053
 - 3060 Vacant
 - 3061 Butcher Anna Mrs
 - 3064 Tillman Julian P

CALIFORNIA ST 1952

CECIL B. GROVE - Contractor

DUMP TRUCKING - EXCAVATING - GRADING - CRUSHED ROCK - SAND - GRAVEL

3216 Island Ave.

Franklin 7474

CABLE (Ocean Beach)--Contd
1809 Netah R E
1811 Rebouche A J
1813 Clawson A T
1815 Wardrop M R B 2-2487
1821 Wobber G G @ B 5634
1828 Fleming L A @ B 7925
1844 Brown G W B 9396
1846 Melzler M G Mrs @ B 6345
1852 Schmillen Duane J R 2-3666
1856 Neill Phos. B 4668
1857 Dodson Ethel Mrs
1859 Vacant
1860 Nowlark Raymond A
1862 Rothrock Marjorie Mrs
1869 Auslin E W repr shop B 3234
1875 Swanson Cleaners B 4547
1877 Ocean Beach Laundromat
1908 Kuntz Seymour optom
1910 E's Beauty Salon B 4062
1911 Churchill E D aec B 4104
1912 Forsenberry F Mrs B 3-3182
1913 Morlin's Fur & Toy B 3317
1918 Cora's Tailor B 9325
1918 Morlin's Tot Shop children's clo B 2817
1919 Tipp A J B 8213
1920 Vacant
1924 Prof Professional Building
1930 Burks Lyle M dentist B 6532
1973 Stahl C R
1986 Bartholomew A A B 6352
1982 George John B 9694
1984 Shludler J H
2003 West C H B 3328
2004 Cordray R E
2007 Rossman Darlene I B 8915
2010 Young Dwight L B 2-3765
2011 Smith J K
2015 Clark Mary Mrs B 2-3300
2015 Sample Anna B B 7770
2020 Hall C A
2031 Peger Frank
2032 LaMontagne P J @ B 9708
2033 Hamilton D D B 2-1136
2034 McCulloch K W
2035 Wshlberg G O
2038 Bird W L
2037 Vacant
2056 McKenley E W @ B 4434
2058 Knott E J R B 2-3256
2070 Miller R M @ B 2-2644
2076 Gilbert B M Mrs @ B 3007
2077 Wolfe Geo W B 9986
2083 Ashley L A
2085 Beals E L
2090 Clark Helen M Mrs
2101 Akay W E @ B 8641
2111 Dunson W G @ B 5648
2120 Luskey Lucille Mrs B 2-2098
2121 Michael M @ B 5174
2124 Russell B G B 8917
2130 Vacant
2131 Charbon C L B 2-2995
2143 Wares Helen H
2149 Breake Stella M Mrs
2152 Vacant
2153 Rose J A B 1872
2154 Ferris Emma Mrs @ B 8039
2180 Cutton F J B 7632
2186 Smith's Barber Shop
2192 Voltaire Club clo B 1204
2194 Tupperware Home Parties
2196 Reliable Market gro B 9549
2215 Peters Bakery B 5070
2218 Malt Shop restr
2219 Roudin B C B 2-3300
2221 Green Pauline Mrs
2223 Lemmon Cora D Mrs B 1093
2231 Vacant
2232 Wasi Palmi Lama hlvd intersects
CARRILLO AV (La Jolla)--North
2230 Magnussen C M @ G 5-3742
2234 Floyd F L G B 4835
2248 Anderson O T @ G 5-3056
2247 Wingard L S @ G 5-3353
2250 Goodwin J W @ G 5-4149
2242 Dickey W B @ G 5-4470
2241 Vacant
2246 Appold J B Mrs G B-3240
2301 Dorr E R Mrs @ G 5-3283
2315 Weaver R C @ G 5-6200
2320 McMaster L W @ G 5-7238
2327 Fellows W F W @ G 5-7631
2328 Zabel A @ G 5-1316
2334 Corey B D @ G 5-1859
2335 Helnk H A @ G 5-3748
2342 Sledge John G B-4790
2348 Holt V O G 5-2455
2353 Walker C @ G 5-3761
2361 McDonald D C elec eng G 5-7887

2564 Pilgrim J H @ G 5-1496
2569 Bachmanow R B @ G 5-4523
2570 Hubbard Hampton G 5-4451
2577 Cook I B G 5-1314
CARRILLO FREEWAY--
and Friars rd Hazard Concrete Products Inc mfrs J 0651
Hazard E E Contracting Co J 0651
CADIZ (Loma Portal)--Sonihaasi
2302 StCharles Borromeo Academy
StCharles Borromeo Catholic Church B 7097
2308 StCharles Borromeo Convent B 8271
2325 Clark J D
2327 Galt R W
2333 Silver Abr. B 3514
2332 Vacant
2343 Sweeney Jacob
2345 Althouse K A
2347 Vacant
2349 Sodeck C Mrs
2351 Bowler R L B 2-2957
2355 Galt Gordon
Palmer Wm
2365 Loma Portal Medical Group B 7127
Marlin J S phys R 7127
Percival E G phys B 7127
Russell R S phys B 7127
2311 Lutz G E dentist B 2-2117
CADMAN--South I block from 7300
Lisbon to Jamaica rd
519 Dimault D D
550 Gardner F E @ M 4-7131
564 Fortney E R @ M 4-3728
613 Williams H P @
614 Foglin R H @
621 Drake C D @
624 Dinkins D V @
633 Woods W M @
634 Ugh W H @
641 Roza V I @
642 Kowalski T G @ M 4-6770
653 Vacant
654 Brown V A @ M 4-2274
655 Miller M L @
664 Hale E L @ M 4-7341
CAHMOUNE AV--
4268 Fuller Margt K Mrs
CAJON WAY--North from Madl-
son av to Siesla dr. I w of 56th
4902 Paxton F H @ T 1-4547
4604 Barnhart K E @ R 2878
4609 Christy R R @ T 2308
4610 Hanstedt E W @ T 1-3491
4623 Froopie S J phys 2-5470
4620 Howard J P @ T 1-5725
4633 Emerson R C @ T 6220
4636 Corris R D @ R 3283
4641 Johnson C G @ T 1441
4646 McDougal A C @ pnir R 5201
4657 Polter I P @ R 8236
CALAVERAS DR (Ocean Beach)
--North from Gasparry to Barco-
lewa dr. 3 at Cornish dr
1025 Charlton R P @
1032 Watson C G @ B 6600
1036 Drasill Victoria P @ B 1481
CALHOUN (Old Town) -- North-
west from 4050 Harney
2610 Cnibertson T C
2612 Hlor E A
2614 Schrader A Z
2616 Wilson Marjor D
2618 Arrott C W
2620 Groves G W W 3956
2622 Bowdeno T H J 8048
2624 Boecker G A
2626 Dickey H A
2628 Protheron Robt
2630 Bell R W
2632 Reid H L
2634 Gilliamson W J J 7022
2626 Mosley Maenal
2638 Forward Mae E Mrs W 6510
2640 Quarterman R H J 2583
2660 Casa De Bandini Hotel W 9752
Cardwell J H W 9792
Mason intersects
2732 Fousok Gertrude
2734 La Casa Blanca restr J 7339
2764 Casa De Pico Motor Hotel J 7160
Cardwell F K @ J 7160
Wallace intersects
Taylor intersects
CALIFORNIA--North from 888 W
Dorr E R Mrs @ G 5-3283
1220 Collaso Felisiano M 2220
1447 Wilson Harry @
1506 Aleo Gasano F 8773
1569 Pioneer Printers F 9-0341
1620 1/2 Martin Adolf
1632 Gilbert Phillip @ F 5622
1634 Western Oil Co wcha intersects
1842 Pirante Salvatore @

1830 Crivello Tony F 3460
1032 Bologna Peter @ M 3325
1940 Di Mangle Sabatino @ F 0681
1848 Vitrauo Anthony @ F 5026
1854 Asaro Ignazio M 1538
Grapa intersects
Hawthorn intersects
Ivy intersects
2244 Pontecorvo E Mrs @ F 0781
2246 Pontecorvo John
Pear Vendor Genovese Mrs
2256 Salmon T H @ F 5025
2250 1/2 Vacant
2272 Salmojo Joaquito @
2308 Chavez Francesco, F 9-3314
Juniper intersects
Lafayette intersects
2416 Esprada Clemente M 9213
Garcin E M
2424 Coniello Hector
2430 Gonzales Augustino
Ploco Jesus
Severa Raico
2440 Aitorre Vincent M 9718
Edan Sam
Samera Joe
2500 Pioneer Truck Co Inc F 9-2113
Laura intersects
Maple intersects
2801 Murphy M C @ J 3655
Palm intersects
2821 Walker Chas @ J 1597
2820 Naranjo Estanbado @ J 1321
2828 Joseph A A W 1404
2870 Knauf C H
Quince intersects
3005 Garcia Raymond @ J 2274
3015 Gilliam R H @ W 8-1038
Redwood intersects
Sage intersects
Thorn intersects
3448 Talbot Frank @ W 3423
3496 Bateman T O Co J 5165
Upas intersects
Vine intersects
Walnut intersects
3607 May H W W 2491
3610 Rebeles M Mrs @ J 2678
3625 Mallet C J @ J 9666
3630 Ideal Laundry W 1786
3645 Hialt LeRoy @ J 4570
3669 Fontana Insnl-Rock W 2734
Johnson Metal Works W 2696
Forma-Stops of San Diego Co
bidg sups W 2734
Rogers Construction Co
W 8-1039 3-2203
State Public Utilities Com-
mission J 9587
Baun ends
Chalmers intersects
Winder intersects
3705 Price & Herton sht mill
W 1160
Randall E P bldr W 8-3157
3707 Nescoe C G
3709 Mondria P R
3711 Jusrez Gertrude Mrs
3717 Decker R B
3718 Rappes Mickey
3719 1/2 Stifford J P J 1638
3721 Mayer Lucille W 3-2214
3723 Quinterman C W J 3558
3725 Dillon L P W 1697
3727 Schner F C jr
3728 Schneider Lucine C W 1834
3731 Seymour H C
Andrews intersects
3751 Five Points Auto Court
W 9276
Barlow J H W 8276
3777 Five Points Inn Liquors
W 9541
3779 Five Points Clns J 9487
3781 Five Points Beauty Shop
J 9484
3785 Five Points Pharmacy J 7308
PO Sta No 4 J 7308
3787 Ales J C J 7022
3789 Mooney T S phys J 1031
3791 Five Points Barber Shop
3793 Five Points Cafe
3795 Five Points Food Market
W 9264
Five Points Mead Market
W 9264
McKes intersects
3801 Five Points Delicatessen
J 7345
3805 San Diego Motor Inn W 8457
McCune W A J 4371
3809 Bunker F S real est J 9780
3810 Five Points Sery S J 2376
3811 Balme Edna M Mrs @ J 9780
Ward C L
3817 MacDonald Margt E Mrs
3819 Walker W R
3821 Harrison C S W 1531
Glayton ends
3827 Bellevue Mary A Mrs
Seymour Henry W 1808
3832 Wiltcox Robt W 1808
3831 Theriot A E J 0575
3832 Finnigan W C dentist J 8208
3833 Bologna Filippo @
3834 Duhanuel Leo W 4685
3835 Moore J J J 7107
3836 Wilson W A

CALIFORNIA--Contd
3841 Vacant
3844 Gibson O W J 9325
3844 1/2 Dotis Esther Mrs @
3845 Five Points Variety Store
3846 Oscar's Barber Shop
3849 B & S Jewry J 7924
3858 Brown Bear Bakery J 9781
3870 California Auto Court W 9278
Gottl Edw W 9278
3873 Bayview Motel W 9737
Happy's Mkt gro J 4903
Kirkrade H A W 9737
Sutherland ends
La Jolla begins
3911 Evans H J @ J 9340
3919 Ilaugen E N @ W 8-2464
3922 Wilson E W @ W 6052
3923 Palmer Ellis Mrs
3923 Watson Ella E Mrs @ J 0545
3925 Pige Wm @ W 3249
3928 Messinger R E
3942 Jackson Andrew @ J 2302
3951 Peasmote Jacques @ W 8-3062
3953 Fryer H C @ W 4935
3959 Wilson Lewis @ W 0652
CALIFORNIA WEST--From Henry
W to Witherby, continuation at
California
1907 Kuhl Maude Mrs @ W 8339
1917 Rieken F J @ W 4770
1921 Minor S H jr @ J 2695
2001 Vacant
2005 Weston A H @ W 1125
Keweenaw J
2011 Kahn Saml @ J 9772
2017 Muser Margt Mrs @ W 8-1625
2025 Teixeira John jr @ J 4282
2020 Potter Peter @ W 9648
2037 VanDoren R L @ W 5668
2044 Jarvis Grace Mrs @ J 5582
Wright intersects
2045 Shaw H I jr @ J 4445
2040 Vacant
2050 Bagby J W @ J 7286
2051 Bechtelton R H @ J 1458
2067 Taylor H J J 4707
2069 Gross Saml W 8-1266
2070 Quince Vincent @ W 9920
2074 Muk Wm D @ W 8-1447
2075 Lerona Alfonso
2077 McCormack Margt M Mrs @
J 1597
2085 Strachan Floyd @ J 9291
2086 McAlister II H Mrs @ J 0735
2095 Ames M H J 3408
2097 Lerona J R J 4784
2098 Mank Chas @
Bandini intersects
2105 Wilko Herman P @ J 2643
2111 Baghehart J R @
2120 Stohm L E @ W 2727
2121 Baird A J @ J 9192
2127 Holloway J G @ W 8-3591
2143 Phillips W G @ W 6022
2148 Chowning T J @ W 9422
2159 Shoven A M @ J 7136
2151 Dixon Beecher W 8-3173
2169 Wessell N E Mrs @ J 4410
2171 MacGoverna Robt J 7098
2186 Davis R L @ W 6485
2191 Stewart E T @ J 0986
Costs intersects
CALLE BREVE (Pacific Beach) --
North from Balboa av. I w of
Pico
4600 Bayview Terrace Housing
Project Child Care Center
H 8-2990
CALLE CAMPANA (Pacific Beach)
--North from 2306 Reed av to
Gable Corva
4251 Couch A L H 8-6187
4253 Longwell Dora Mrs
4255 Rocks E L
4257 Fender W W
4259 Noble H G H 8-3426
4261 Lindquist G E H 8-6789
4263 Brown L H H 8-3997
4265 Vacant
4267 Probst J W H 8-4568
4269 Ryerson H W H 8-3440
4271 Harris H J H 8-8429
4273 Gee M L H 8-3573
4275 McCarthy Marie C Mrs
4277 Woodcock Jack H 8-2473
1279 Snllyvan Lee H 8-2703
4281 Jones T T
4283 Ashby A W H 8-0967
4285 Redding C C H 8-6411
4287 Dave L A H 8-2476
4289 Davaporot B H 8-6101
4301 Collman J W H 8-4902
4302 Wilkinson C M H 8-4837
4303 Lopez Joao D
4304 Zachary C D
4306 Wiseman H C
4309 Merrill E B
4307 Folsom V H H 8-9784
4308 Gutierrez R Z
4309 Stover L C H 8-1519
4310 Radman O P H 8-7242
4311 Volkov Joe D H 8-7515
4312 Brown Rodney
4314 Dowling Mawson L H 8-3960

COLUMBIA ST 1952

829

FOR EVERY JOB
PABCO
FOR BEST RESULTS

PAINTS • ROOFING • GYPSUM • ASBESTOS
HELIX SUPPLY, INC.
DISTRIBUTORS OF PABCO PRODUCTS
2228 KETTNER BLVD.

PHONE
F. 9-9394
FOR DEALER
NEAREST YOU

On Yellow Paper Immediately Following Alphabetical List of Names

COLUMBIA—Cont'd
1342 Tarantino Sebastiano
1347 Zolezzi Steve @ F 5766
1367 Chuck's Radio & TV Serv
1368 Malista Antonio F 9-7067
1371 D Amato Frank
1372 Madlin C M, M 5-1867
1373 Santos Manuel, M 3937
1374 Zappalino Steve @ F 9-1652
1375 Corrao Frank
1376 Amari J A, M 5363
1377 Lococo J F
1378 Silvio Zolezzi
1379 Busalacchi Casimo
1380 Busalacchi Casimo Jr F 7854
1381 Brannetto J J, F 9-5517
1382 Marchese Sami @ F 9-3093
1383 Cefali Sami, F 9-3168
1384 Grosso Casiano
1385 Savino Jack
1386 Ballard Armando @ F 6548
1387 LaGioia N D @
1388 Gregg Shelby W @ F 9-2013
1389 Jackson & Blanc, F 8189
1390 Vacant
1391 Coy M A
1392 Moore B J Mrs, F 9-5388
1393 D'Acquisto Antonio @ F 3932
1394 Corro Joe, F 9-6073
1395 Schmucker Anna E @
1396 Markler L H Mrs M 9427
1397 Vampel Andrew @ F 9-7488
1398 Vacant
1399 Columbia Apartments
1400 Ashcraft B E, M 8-1331
1401 Carlson Carl
1402 Green Earl, F 6066
1403 Jordan Jack
1404 Mair G L
1405 McKay Park
1406 Price Alex A Jr
1407 Stracian J E, M 6592
1408 DeSanti Jos, F 9-3973
1409 Sotura H T
1410 Vacant
1411 Apparisi Gaspare, F 9-7285
1412 Valenti Joe, F 2743
1413 Machado J F, M 8-1479
1414 Manning Jas
1415 McPhee Emma Mrs @
1416 Sardo Salvatore @ M 5900
1417 Keneva Angela Mrs @
1418 M 8793
1419 Oriitano Vincent @ F 5821
1420 Ahoto A J @
1421 Buonpensiero Jos
1422 Buonpensiero Salvatore @
1423 F 3215
1424 Reganite A E @ F 6445
1425 Strawn W G Mrs @ M 1898
1426 Goodwin Dan @ F 4419
1427 Bastall Chas F 2752
1428 Reganite Cath Mrs @
1429 Sardino Jos Jr @ F 9-1495
1430 Benner H F
1431 Benner W N, F 9-6963
1432 Laski E W
1433 Filippone F J, F 9-0666
1434 Signaro Mary Mrs @ F 5598
1435 Ivy Intersects
1436 Niero Victor @ M 6322
1437 Vacant
1438 Harbor View Bapt Ch
1439 F 9-8673
1440 SanDiego Baptist City Mission
1441 Soc M 3765
1442 Bauserman A K, F 9-6675
1443 Shedis Aleck
1444 Charves Macy, F 5656
1445 Nascentino Tiago @
1446 Ridley R T
1447 Brazil H M Mrs
1448 DiCola Dominio
1449 Carrao Peter @ F 8498
1450 Mussomeli Angelo, F 9-4507
1451 Taormina Lawrence @
1452 M 1265
1453 Foster & Kleiser Co outdoor
1454 adv F 6347
1455 SanFilippo Dominic @ M 5717
1456 Lococo Pasquale @ M 9495
1457 Lattner R K, F 8422
1458 Neil J A @ F 2096
1459 Balsamo Anthony, F 9-8264
1460 Sarto John F
1461 Giacalone Theo @ M 3957
1462 Farmiglioni Beatrice Mrs @
1463 M 2981
1464 Puzantian Rocco @ M 9946
1465 Crefello Sami @ M 9762
1466 Puffio Tony, F 4-4645
1467 Sento J C, F 9-4428
1468 Lococo John @ F 9-5596
1469 Turner G O Mrs
1470 DeLuque Sami @ M 3551
1471 Parla Leslie
1472 Garren Helen Mrs
1473 Gregory Clarence
1474 O'Connell E J
1475 Vines Wm J
1476 Bridge C R @ M 8-1779

2366 Caramanna V A, F 9-4696
2367 Vacant
2368 Buonpensiero Matteo @
2369 M 5375
2370 Fuller G K, F 9-2537
2371 Pool W J
2372 Kalmia Intersects
2373 Flamini Jos @ F 4789
2374 Navarro Carlo @ M 6540
2375 Palmer R W @ F 5251
2376 Valenti Anthony, F 9-5611
2377 Giacalone Sami @ F 9-3523
2378 Otenda Edw
2379 Quindl @ F 5417
2380 Corbelle Lawrence
2381 Vacant
2382 Blair F M
2383 Whitney J W @ F 3274
2384 Piramo F P @ F 9-1920
2385 Laurel Intersects
2386 Battaglia G W, F 9-5743
2387 White J A @
2388 Saofilippo Peter @ M 6555
2389 Giacalone Jos @ M 1776
2390 Baldwin R W, F 4679
2391 Hill C J
2392 Mangert Stefano @ F 8498
2393 Babinski Dominic @ F 8460
2394 Habel R E @ F 9-5868
2395 Maple Intersects
2396 Lamb W H, W 8-3006
2397 Kenyon Arth @ J 3011
2398 Tarantino Isadore @ W 8-1637
2399 Mathew M G, W 8-1783
2400 Robertson Fred, J 6919
2401 Dody Don
2402 Lucas Frank @ W 5156
2403 Hart C H, J 8170
2404 Anderson C F, W 1333
2405 Mathew M G, W 8-1783
2406 Husband R F @ J 7963
2407 Holland F C
2408 McVicker W J, W 8-1519
2409 Clark L S Mrs
2410 Robare N D
2411 LaFaver Louis, W 3594
2412 Talbran L J @
2413 Donahue A T @ J 9582
2414 Thlotte Anthony, J 1089
2415 Hemic J K @ J 9229
2416 Nulmen Intersects
2417 Albert Lawrence, W 4579
2418 Conway John @ W 4247
2419 Walker G L Mrs @ J 4452
2420 Anderson C T, W 8-1688
2421 Barker J S @ J 5377
2422 Middlebrook H C @
2423 W 4195
2424 Irving M T, W 5235
2425 Rolanda P M, J 4309
2426 Ellis R G, W 8-2879
2427 Niehoff H E, W 1747
2428 Middlebrook P R @ J 5084
2429 Barr Mary L, W 3-1882
2430 Caritt Eric Mrs, J 6932
2431 Traggard R M Mrs @ W 3467
2432 Jones E D Mrs @ J 1804
2433 Germe D H, J 5058
2434 Coggeshall A W, W 1095
2435 Dive Intersects
2436 Crivello Peter @ J 9489
2437 Khamet M Z Mrs @
2438 W 8-1785
2439 Belis R K, W 8-2005
2440 Bonham H L @ J 5820
2441 Steinle E M
2442 Griffiths Melie Mrs @
2443 Walker E H Mrs @ J 4796
2444 Nicholson R F @ J 9945
2445 Feeney E R, W 4297
2446 Colia Nicola @ J 6311
2447 Young R E
2448 Tetlow Ida Mrs @ J 7040
2449 Pickens Theo Jr @ W 4225
2450 Palm Intersects
2451 Pierre Wm @
2452 Bibb R V, J 2770
2453 Nichols Manista, J 6435
2454 Baker W M
2455 Perry A W, W 8-1929
2456 Julien A B Mrs @ J 1884
2457 Miller Otto, J 2913
2458 Norris J R @ J 3726
2459 Dalley John W @ W 4805
2460 Quincea Intersects
2461 Jumper F P @ W 8-1519
2462 Aron F M Mrs @ J 1282
2463 Loring Carolyn @
2464 Brewer A M, W 2918
2465 Millust J E @ J 7371
2466 Peters B R Mrs, W 3842
2467 Hubbard C, W 6998
2468 Clarkson Max, J 9245
2469 Ramsey O W, J 1723
2470 Hedwood Intersects
2471 Cheek Reginald C @ J 5395
2472 Palmer Florence
2473 Goodwin H M @ W 8-1850
2474 Zabrisk R C @ J 9526
2475 Dunasrafas Intersects
2476 Monk R L
2477 Comer B J, W 8-3757
2478 Adams Chas C, J 6586
2479 Parsons Rosa F, J 6116
2480 Miller B G @ J 7490
2481 Vacant
2482 Sargent K M @ J 9285

3243 Gray C E, W 1778
3244 Guyton Omer @ J 5551
3245 Mesch Rudolph E, W 8-3358
3246 Hobbs R H @ J 6681
3247 Levin Sydney, W 8-3317
3248 Theobald C, J 8385
3249 Dunham L B Mrs, J 0901
3250 McDonald N N, J 8378
3251 Taylor E G, W 8-2640
3252 Topping M G Mrs @ J 8293
3253 Sinclair Robt
3254 Thorn Intersects
3255 Canale J C @ J 1251
3256 Crivello Vincent @ J 4544
3257 Bailey Bernardine, J 5339
3258 Moore H J
3259 McGuire R W @ W 8-2219
3260 Ugas Intersects
3261 Lattin R M, W 2955
3262 Siedman O @ W 2655
3263 Kilgore E L
3264 Deert W
3265 Henry G N, J 9585
3266 Bowen W E
3267 Dean W E, J 5418
3268 Oentry R J, J 4983
3269 Zweiner Theodore W, W 8-3450
3270 Muller C L, W 8-2735
3271 LaRue P S, J 7971
3272 Spangler C M
3273 Montalvo Raymond, W 8-1216
3274 Smith R M @ J 6529
3275 Jester Matilda Mrs, J 8224
3276 Philip Thomas
3277 Crisel Jos, J 2869
3278 Taylor G F, W 8-3513
3279 Vine Intersects
3280 Harrison J L, W 4641
3281 Lechy Eng @ J 8795
3282 Klugman P W @
3283 Carlson B R
3284 Osborn E H @ J 8481
3285 Chalmers Intersects
3286 Williams Mona E Mrs
3287 Bell N D Jr @ W 8-3645
3288 Goldmann J D @
3289 Daffon Jeanne Mrs W 6553
3290 Hill R S, J 1918
3291 Lewis L L, W 9648
3292 Pipes E P
3293 Pires Joaquina M @ W 4947
3294 Hansen H B @ J 4692
3295 DuCetta Norman, J 6731
3296 Klugmberg A J Mrs @
3297 Price A J, J 2121
3298 Evans S C @
3299 Miles L B Mrs @ J 2872
3300 DeSoto Raymond, W 3976
3301 Holt F M, W 8-3685
3302 Wilbina begins
3303 Winder begins
3304 Peirler Leonal
3305 Worthen H E @ J 5835
3306 Roles J B, W 8-1347
3307 Wachsler J J, J 6057
3308 Heiderbrand R N
3309 Daley J E, J 2953
3310 Monath Robt @ J 4048
3311 Crisel Vincent @ J 3872
3312 Horton J R, W 4462
3313 Williams T, W 2549
3314 Brown C C, W 4266
3315 Stenger G W @ W 8-1773
3316 Davis Roy L, J 7904
3317 Davis T C, W 0170
3318 Reid J L, W 8-2975
3319 Andrews Intersects
3320 COLUMBINE (East San Diego)—
3321 Southeast from 4270 Mauzanita
3322 dr
3323 Geisler A L @ T 8025
3324 Hemphill J F Mrs @
3325 Jenkins R H @ T 9115
3326 Cottrill H H @ T 9614
3327 Olive Intersects
3328 Vacant
3329 Randall F E Jr @ R 5147
3330 Malory G L @ T 9785
3331 Houz R A, T 1-2446
3332 Miller L A @ T 7566
3333 Fitch W F
3334 Buwess E E @
3335 Johnson J W @ T 8172
3336 Adair Vivian @ R 6173
3337 Kernes J F @ T 6764
3338 Bibb E L @
3339 Mitchell B E Mrs @ R 7013
3340 Quincea Intersects
3341 Poplar Intersects
3342 Krum M M Mrs @
3343 Creese D B Mrs @ R 6511
3344 Nixalis Theo T @ R 2075
3345 Vidmar H J @ T 4877
3346 Norman G R @ T 6935
3347 Elliott J B @ R 7767
3348 Wilde J W @ T 1-4569
3349 Hurlst P G @
3350 Henderson Wm @ T 1-4114
3351 Higgs G A @
3352 Finlay W A, T 3-1878
3353 Manzanita dr Intersects
3354 COLUSA (North San Diego)—
3355 West from 2 blks s of 5600
3356 Galinea
3357 Vacant
3358 Messer Silas Jr, W 8-3642

COLUSA (North SD)—Cont'd
1077 Davis V
1078 Gray P F
1079 Vacant
1080 VanHirk Robt
1081 Chapman F R
1082 McDaniel L C @ W 3390
1083 Thourpe E B Mrs
1084 Osborn M G @ W 8-5046
1085 Osborn C W @ J 8655
1086 Rice L J @ W 6983
1087 Hanson O W @ J 6632
1088 Moore C W @ J 6051
1089 Woodward H L
1090 Clark John Jr @
1091 Spencer H B @
1092 COMLY (Linda Vista)—North from
1093 Proceed thence e to Comstock,
1094 S a of Osler
1095 Moorby Jas
1096 Hunt J M, W 7-1836
1097 Walker N M Mrs, W 7-3064
1098 Phillips N W, W 7-6740
1099 Nance H P
1100 Coats W G, W 7-1211
1101 Walker R T
1102 Butram Elmer, W 7-3332
1103 Milstead O A, W 7-0002
1104 Weigel A A, W 7-0584
1105 Moor Wm L, W 7-1994
1106 Glessner M E
1107 Conly R B F, W 7-1709
1108 Tiedeman H G, W 7-1357
1109 Phillips E H, W 7-1377
1110 Sellers W A, W 7-3702
1111 Newman B C, W 7-2764
1112 Hardy I F, W 7-3235
1113 Chazen David, W 7-4019
1114 Gredwig W G, W 7-2339
1115 Rodriguez M G, W 7-3622
1116 Bullard E F, W 7-0479
1117 Graham C B, W 7-9385
1118 COMLY COURT (Linda Vista)—
1119 East from Comstock S a of Osler
1120 Marques R D, W 7-1751
1121 Taylor A R, W 7-2127
1122 Hardy J E, W 7-3126
1123 Favor C E, W 7-2664
1124 Hunstable D S, W 7-1837
1125 Heitman R V, W 7-9133
1126 COMMERCE AV—East and west
1127 from College av, n of Mission
1128 rd
1129 COMMERCIAL (Changed from N)
1130 —East from 9th, s of Imperial
1131 av
1132 Shackles Lester, M 6181
1133 Smoak Carl
1134 Vacant
1135 Sarain Gabriel
1136 Busan J P
1137 Diaz Bartolo C
1138 Paris Bartolo
1139 16th Intersects
1140 Moran Vincent, F 9-1528
1141 Castro J S Mrs, M 2968
1142 Valdez Aurelio
1143 Montoya Saml
1144 Ruiz Antonio
1145 Perry Carmen Mrs, M 6910
1146 Canacho Mary Mrs, M 8-1070
1147 17th Intersects
1148 City Auto Wrecking Co
1149 Frennetz Ediz Mrs @ F 5718
1150 Harbor Salvage Inc, F 9-3049
1151 19th Intersects
1152 Atlas Iron & Wire Works
1153 (Ince dept) F 9-2679
1154 20th Intersects
1155 Wilson Store Equip Co
1156 M 8097
1157 21st Intersects
1158 22nd Intersects
1159 Ed of Educ purch and mtrc
1160 SS Lady Tray Co M 3720
1161 Guerrero Luciana Mrs @
1162 M 1355
1163 Balboa Chas
1164 Mendez Erasmo @
1165 Nason J A Mrs @ F 4784
1166 Eder Michl @
1167 24th Intersects
1168 Harrison Intersects
1169 Sapin H L @
1170 Sierra Francisco @ M 1286
1171 Hayes J F @ M 2305
1172 Rubalcava Julia
1173 rear Elliott Jas
1174 Balboa Gustav B @ F 9-0667
1175 Williams L K, F 9-0150
1176 Walls Jas, M 3903
1177 Conner T R @ M 9550
1178 Cobb D N
1179 rear Callari Salvatore
1180 Hensley R L
1181 Goldbaum Riccardo
1182 Velez J S @
1183 Dozzell Frank @ F 7900
1184 Vasquez J A @ F 2610
1185 Zuniga R R cement wks
1186 25th begins
1187 Ocean View bid begins
1188 Crosby begins

Rayons
ST.
NORTH PARK — ACROSS FROM MAYFAIR
1787
Patterns

INDIA ST 1952

INDIA-Contd
Bell E S Mrs
Dillon P M
Hamilton Florence Mrs
Planagan R L F 3-5466
Kelly T R
Hoag D C
Stanley S A. F 9-3208
Papke E M. M 8-2692
Ngro J V. F 3186
Caneppa John. F 9-3825
Luizzi Nataba @ M 2349
Garcia L A @ F 7888
Sabatini Dominick @ F 9-1463
Ryno L T Mrs. F 9-7070
Waldendorff H G. M 1503
Haley H B @ F 4910
Maple intersects
Bert's Welding Shop W 1351
Ventrice Bert @ W 1351
Jeffrey E R. W 5098
Cardiani Eug @ J 9816
DeNeceches Caroline Mrs @
Wagner Robt F
Johnston Violet @ J 2465
Hemmen Marie A. W 4110
Pquatone Muffler Mfg Co
J 2465
Vacant
Campanella J E. W 8-3477
Kenyon P V @ J 5769
Prye & Smith Ltd litho
W 8-1156
Nutmeg intersects
P & P Real Estate W 8-1185
Lutz C L @ W 5341
Watt P M @ J 2691
Lynch John
Lichty Zelma Mrs
Bishop T E
Flambers Mary H
Alexander M C
Scroggins Helen
Stromberg Genevieve Mrs
W 8-2830
Coop Amelia Mrs @ W 6490
Bellistri Carlo. W 8-2394
Randall P A Mrs. J 9264
Crawford Mildred Mrs
W 9826
Taylor W F. J 0661
Cavosina B J
Cavosina Peter. J 2737
McCausland C A
Palm E A pnt @ J 9947
Harboston R E @ W 0514
Olive intersects
Simmons D W
Safford W H. M 8-2064
Gaudier Walter Jr W 1682
Schmid E C. W 5218
Lucas A. J 2631
Searcy Arch. W 8-1823
Cicala Anna Mrs @ J 9171
Fribble C J
Bliss Olga Mrs W 8-3011
Merritt G E. W 6895
Mooney W T
Mott H O. W 2630
F & B Mkt. W 9176
Isabelle B T. W 9776
Hawkins L E
Bass E L
Rich V B. W 8-1377
Barnett L J
Banda Ralph @ J 9332
Fernandes Jos. J 3757
Hederton E M
Tarantino F S @ J 8392
Cassou John. W 3786
Palm intersects
Jacobson S D
Grindl S D Mrs @ W 1810
Parker J W Jr
Snodgrass H A
Barton W D
Peck M W Mrs W 5942
Huber N V Mrs @ J 8629
Rigney L P. W 8-1209
Andrus E W
Brown G C. J 2529
Robbins R L @ W 8-2671
McBride Jas
Aubert Mary Mrs @
Basel Fredk
Herron Robt
Gundy Jas
Tud J M
Vicario Michl @ J 1845
Kehy R E. J 1581
Johnson L N
Baskall J R. J 6765
Stagg H W. J 8105
Spilner C H
Pinnegan V B Mrs @
Goy Pauline
Harris Martin. J 0981
Dorrierson Walter. W 6476
Caupa John. J 9361
Baldwin Madge. J 4495
Quince intersects
Anderson A E
Bagu D L Mrs
Gonzales Manuel
Riva Jose @ W 6840
Lawson A L
Barato Michl. W 9245
Dunn O C. W 8-2015
Bay View Apts
Ford R E. W 9245
Barnes V H Mrs

3042 Chase C S
3042a Shigh M E Mrs
3044 Schultz Helen. J 7419
3045a Darrach Barbara
3044 1/2 Woodworth W T
3046 Garber Wm. W 5033
3048 Deibert P P. W 4240
3053 Vacant
3054 Harvey R D. J 1250
3056 Harvey's Grocery J 1250
3058 Cone Lela A
3060 Mitchell R J
3064 Paquette F M. T 1-7998
3069 Brooks Colleen
Redwood intersects
3103 Compleat Interior Clnz
W 3360
3114 Sloan Kenneth. J 5436
3116 King E E. W 8-3070
3123 Preciada Richd @ J 1290
3125 Porter H B @
3131 Porters Gro
3140 Whittney F A Mrs @
3141 Walt R L. W 1651
3153 Collender Louis @
3167 Green J B
3171 Douglas Bayview Serv gas sta
W 8362
Spruce intersects
3232 Am Clns J 2111
3241 Engineers & Architects Assn
J 9253
3243 Schroder J D
3252 Mendenhall E S Mrs J 2068
3254 Budge K B. J 2319
3256 Ostergard J M. W 8-3706
3258 Jones H J. J 5536
3260 Flearcy A L
3265 Harry J L auto body reprs
W 8-1457
Sassafras intersects
3300 Airmen's Hotel W 9787
Meers Shelburn. W 9787
3302 S P Insulation & Roofing Co
Inc W 8-6355
3323 Tuffley M K Mrs @ J 2457
3336 Plastik-Arts W 3415
3341 Stewart G G. W 8-3561
3343 1/2 Reneve C B. J 1205
3343 1/2 Simpson Rose
3343 1/2 Hennessey Harry. J 3300
3349 Shaul M T
3347 Bonsall W E. W 4305
3353 Eichen H E. J 1136
3355 Norton Frank
Thorn intersects
3468 El Francisco Apts
Bullin Q P
Dunn T E
Johnson Emmett
Jones C B
Alford T L Jr
Monroe E D
Narver Jos Jr
Faratt Jack
Schluter D R. W 8-2577
Stafford Roy
Thomas Don
Upas intersects
3503 Welch W E. J 1980
3505 Currier T H
3507 Prall H L
3509 Stevens W E. W 2953
3512 Andrews T N @ J 8925
3514 Fancher Roy. W 8-1486
3519 Lamoreaux P W @ J 3784
3525 Wilcox Florence Mrs W 3488
3526 Billick Mary E. J 9892
Brown W E. J 8557
Iddings W E Jr W 4253
Oberto Dominick @ W 6720
Scott J M
Snodgrass R L. W 4957
3527 Wright Marvin
3529 Jameson D N @ W 6927
3536 Elkins J R
3537 Osmundson G J
Perone R N. J 0582
3538 Myers Jack. W 6652
3540 Holt R W @ W 8-1456
3543 Jones Jean L. J 2830
3544 Brayfield G E @ J 9949
3545 Derbes E J. W 0694
3546 Walton C H. W 3222
3547 Fuller F R. J 9816
3547 1/2 Leach K C
3549 Edwards Willis. W 2542
Vine intersects
Glenwood dr intersects
Walnut av intersects
3616 Green A F. J 2907
3620 Brinde Clarence
McClelland R H. W 8-1016
3621 Cunningham J O Mrs
3630 Walton Ernest
3633 Atlas Transfer & Stge Co
W 0126
Stipp R B
3642 Brown Wayman M. barber
W 3981
3645 San Diego Exterminating Co
J 6590
Chalmers intersects
3652 Normandy Apts
Bloomfield Norris. W 8-2739
Burt Jo Ann
Knutson L T. J 5951
McDonald F V. J 9042
Metzger C H. W 8-2401
Moore Bernice Mrs
Pettkoske F A. W 8-1791

999
Normandy Apts-Contd
Rust K W. W 8-1675
Soliday Donna Mrs J 3663
Stelle A W. J 1486
3653 Vacant
3660 Vacant
3661 Camp India Auto Court
W 6048
Davis Albert. W 6048
3662 Dillon J E @ J 4833
3664 Banea M H. J 2700
3667 Palomar Shoe Shop. W 2080
3668 Clausner John
3670 Dillon Ruth Mrs
3674 Rathliff Saml. J 4057
3675 Haley's Payless liquors
W 9771
3676 Warner A E @ W 0462
Pedrin Albert. W 2080
3678 Rock E J. W 8-3830
3680 Conery Irene O
3682 Duffy C C
3684 Wordsworth M A Mrs
3688 McLine Wm
3690 Culver Isabelle Mrs
3692 Williams L J
3695 El India Shop tortilla mfra
W 9555
3697 Corkcreev The J 5789
3698 McPherson Susie Mrs @
J 3948
3701 Ladd W E. J 7147
Winder intersects
3702 Palomar Golf Park W 9334
Palomar Sandwich Shop
W 9334
3711 Estes H B. J 8494
Walter N C auto repr W 1495
3719 Aiello P M @ W 6300
3731 Green L A Mrs @ W 5990
3735 DiGiovanni Modestino @
W 5523
3735 1/2 England Stanley. J 7387
3737 Bryan Co furn J 9987
3739 Ted's Studio of Beauty
beauty shop W 1982
3741 Hurd A O. W 1451
3743 Thomas C W. W 8-2854
3745 Bandah Dorothy Mrs
3745 1/2 Phillips H M
3749 Penland C H. W 8-8284
3751 Perry D H. J 0372
Andrews intersects
3753 Mission Hills Realty Co
W 0169
3766 Rick G A
3768 Treantafios C G
3770 Allen C R
3772 Bruce Helen Mrs
3774 Cope J D
3778 Pierrah F L
3780 Iversen T L @ W 2495
3781 1/2 Williams J E
3792 Blanchard W H @ J 0778
INDIANA-North from 1800 E
Upas
3503 Burgater N S Mrs @ J 7148
3514 Inhofe E V @ J 1386
3515 Burns J M Mrs
3517 Lemon D M @
3522 Jarrell M A Mrs
3524 Foster H E Mrs J 1250
3528 Hopkins J A. W 8-2087
3530 Hayes V B Mrs @ J 5497
3532 Nottingham Leola
3537 Boettger Herman. W 8-2145
3538 Arnold R S @ J 5947
3544 DeWoody C A. J 6294
3545 Edson M B Mrs @
3546 Bacon R L
3547 Hane G K. J 8522
3548 Anderson Nelson. W 0545
3549 VanKammen S M Mrs W 1019
3551 Brown J A Mrs
3554 Thomas M E Mrs J 8332
Jones D I
Sell W C
3559 Jones I L. W 6997
Neison Bessie Mrs @ J 9692
3604 Vacant
3605 Cramer H G Jr @ W 2619
3606 Devoraux H V. W 3-3250
3606 1/2 Vacant
3608 Murrell E L Mrs W 5529
3608 1/2 Cash Blattie Mrs
3610 DeMuth J M. J 3897
3610 1/2 Batcher Jennie I @ W 1428
3611 Khima T J @ W 8-2310
3612 Warner V E. J 3444
3612 1/2 Roff C V. W 8-3490
3613 Gayler C W
3614 Vacant
3616 Buckley E A. J 1012
3621 Vacant
3622 Driver Justine Mrs @ W 1312
3623 Melton C J. W 8-2710
3624 Paxton T J. W 9751
3627 Eickmeyer Clara Mrs @ J 4573
3628 Vacant
3630 Perantall Peter @ W 2979
3633 Ferguson O L. W 8-1461
3634 Gehring N J phys W 3756
3636 Hires R M
3637 Sylvester R A. W 0903
3638 Sysak Steph @ W 5158
3640 Dennis R J. W 4274
3641 Konker E F @ W 8-3345
3642 Williams C K. J 4280
3644 Creswick H L @ W 6738
3650 Camp Jas

INDIANA-Contd
3652 Graham R C. W 8-2310
3654 Stone Hickman. J 0444
Cypress av intersects
3660 Lawson Georgia L. W 4336
3662 Hubbard H F. J 8713
3665 Dagder M C Mrs J 2049
3667 Ferrall Ross Mrs
3668 Swank R L. W 8-3550
3669 Vance Harry J @ J 3091
3670 Anderson A W. J 0590
3672 Metz M R Mrs. W 5112
3674 Ayres E D. J 1436
3676 Bartlett L L
3680 Aycer Blise Mrs @ J 7945
3681 Jordan J R @ W 1481
3683 Twisleton P L Mrs J 2501
2682 1/2 Slater W B
3685 Olivier F R. J 3493
3688 VanWinkle L S @ W 4547
3689 DuPaul Josephine Mrs @
W 1257
3690 Taylor Helen Mrs W 0533
3692 Bolton E K Mrs W 3-1024
3694 Cramer E J @ J 0710
3697 Antonelli N M @ J 9054
3702 Najoka Christopher
3704 Rumbutis Stanislaw @ J 3321
3706 Clark G W. J 1797
3707 Crosby K W @ J 8569
3708 O'Quin H W. W 8-1024
3710 Franksin R M @ W 4793
3713 Lee Jas
3714 Higgs V E. W 8-2124
3715 Snell S W @ J 9908
3716 Counts I W
3718 Waldron W L
3720 Wickman E L @ J 9046
3721 Peranski Z F @ W 8-3473
3729 Buttrill M L Jr @ J 0147
3733 Baldwin E A Mrs @
INDIANAPOLIS (East San Diego)
-Northeast from 4750 Laurel
INEZ (LaPlaya)-West from 1050
Bow av
3522 Bowdle J W @ B 7757
3530 Tate B R Mrs @ B 9916
INGALLS (Mission Hills)-North
from 1 blk e of 1300 Douglas
3852 Martinson G J @ J 5281
3961 Fitzer A S @ Iwry J 1157
3967 Clarke G R @ J 0892
3973 Jabnke E B Mrs @ W 1043
3978 Shockey F B. W 9276
3979 Lasco Henry @ W 8-3653
3988 Lucas Eunilia M. W 5132
rear Reynolds M B
3994 Ramay J L. W 1415
Washington intersects
4005 Rutledge R L
4011 Summerlin H L @ W 4835
4020 Phelps Arth @ J 2893
4021 Anseth D C. W 5670
4024 Pelman J G @ J 8135
4027 Shephard W O @ J 5629
4029 Harclerod M M Mrs @
W 1855
4033 Lawton E M Mrs @ J 2887
Ft Stockton dr intersects
4060 Stank J E
Carlton D H
4061 Jennings M C @ W 1032
4062 Hill Wm. W 8-2991
4008 Swanson Karolina Mrs @
W 8-1970
4068 1/2 Gulliane David
4069 Lavezz H A @ W 2609
4070 Moore Robt
4072 Pitts J O
4074 A Den G W. W 8-2925
Wright H A. W 8-2598
4082 Mumford E C @ W 2856
4087 Garrett T P @ W 1278
4090 Brvitz C M Mrs. W 1996
Nicholls W. W 1990
W Lewis intersects
4104 Mills W S @ J 0951
4112 Mulligan A M @ W 5396
4120 Mitchell Austin @ W 5368
4121 McKeown C F @ J 0962
4128 Cunnlon T J @ W 8-1909
4129 Woodward C H @ J 9144
4133 Snodgrass D W @ J 7958
4140 Ahring O F @ J 7106
4141 Nobat W R Mrs @ J 6480
4142 Pepin W A @ W 2993
4143 Klein D E
4145 Castator R A. J 2802
4147 Kinyd Gordon. W 8-1988
Montecito way intersects
4151 Donovan E W. F 4-4603
Wilson A J @ W 0479
4159 Hagan F L Mrs @ J 0429
4162 Bowersock E H @
4165 Kendall C I Mrs @ J 1278
4167 Pohle E W Jr
4169 Durison Francis Jr J 1987
4171 Wiles H E. J 2461
4185 Emery E M Mrs @ J 1942
INGELGW (Roseville)-Northwest
from 2 blks s of 1550 Rosecrans
2910 Kirkhuff W J
2910 1/2 Bennett J W
2910 1/2 Oswald E N
2910 1/2 Metzger D R
2912 Walsh W J @ B 2-3432
2915 Latin J L @ B 7348
2944 Paris A J. B 8995
2929 Bueche N J @ B 0450

KETTNER BLVD 1952

2235 PACIFIC HIGHWAY

PHONE FRANKLIN 9-8083

KETTNER BLVD—Contd

1871 Ohio Battista
1673 Canepa John @ M 1496
1162-10 Electrical Products Corp
F 1365
3178 Domenico Filippo
3179 Ciarantano Sami M 1573
1131 Vacant
3745 Cecchin A J M 3436
3745 Asaro Jos @ F 9-0988
1163 Carlson Co The oil burning
1160 ranges F 5444
1764 General Elec Appliances
F 9-8165
1165 Annaloro J C F 9-2105
Cloud J K
1170 Baird A N bldg specialties
M 7173
1786 Asbestos Products Co
F 7669
1181 Carniglia John, F 1490
Fir intersects
1905 Boulevard Paini Co M 9-1824
Hutgren Helge painting
cont'r M 9210
1903 Carniglia Augustino @
F 9-9505
1897 Carlini Jos, F 9-1606
1915 Hardy M P Mrs, F 4566
1929 Colombo Winery Liquor
F 9-9926
1817 Kelley Lndy & Dry Cln
F 1454

Grape intersects

2601 Gunther Shirley Trepte
Contrs bldg cont'r M 8188
Trepte Constn Co M 6188
2636 Balrd-Hackett Sound Control
acoustic materials M 6179
2636 Davis G M Mrs real est
F 9-2459
Quiry E A pulr F 9-3406
2644 Waterfront Liquors F 4777
Myers C M, F 4777
2645 Shanks & Wright
electronics F 9-0176
2654 Vacant
2655 Wells Flossy L Rev F 0532
2657 Zolezzi Angela Mrs @
F 5073
2671 Sullivan Beatrice E, F 8660
2656 Eden Helmer inc cont'r
F 0168
Eden Helmer, F 0108

Hawthorn intersects

2101 Orlega's Cafe M 6382
Orlega R G @ M 6382
2136 Benton C H Inc paint mfrs
F 5168
2181 D'Angelo Leo @ F 9-2357
2115 Standard Brands Inc whol gro
F 8824

Ivy intersects

2201 Chapman Glibari Co (whse)
Chapman R B insecticides mfr
2210 Antelline F P htg contr
F 6663
2215 US Battery Mfg Co F 4901
2211 Vacant
2221 Davis J C
O'Sheal W E
2228 Helix Sup inc bldrs smp
F 9-9394
Pabeo Products Inc whol
palm F 9-9394
2229 Crivello F @ M 9077
2241 Balfo Francesca Mrs @
M 3764
2251 Cresci Gaetano, M 5370
2253 Massa S S, F 2252
2266 Haulman Welding Wks
F 9-0558

Juniper intersects

3308 Sandiego Macaroni Mfg Co
F 9-8614
3311 Gray Enterprises real est
F 9-1387
Gray's Mortgage & Loan Corp
F 9-1387
Loma Lands Inc F 9-1387
Stagnaro Marcella Mrs @
M 7059
3327 Trevisani Benodetta Mrs
M 5945
3343 Alioto Rosario F 2494
3341 Ballstrel John @ F 3054
3406 Dryer's Furniture Co
F 6421
BainDiego Heaven On Earth
Club F 6421
2401 Dryer's Furn Co whse
F 6421
3419 Castagnolo John @
3425 Dunn H E @
2443 Sanfilippo Tony @ net repr
F 9-8494

2458 Parman J L, M 8-2069
2455 Zizzo D A, F 9-5693
Laurel intersects
2301 Club liquors F 9-9926
2505 Lorillard F Co whol tob
F 2651
2515 Duncan Thos, M 8890
2517 Kemp L K
McKeown L W
2518 Barnett H B
2521 Wohlford R L
2525 Harris F C
2548 Naval Research Ofc M 5075
2550 Superior Roofing F 9-0269
2553 Giacalone Frank @
2557 Baker Gladys Mrs
Manjo intersects
2601 Vacant
2603 Isaac E M Mrs
2605 Mader M R Mrs
2607 Cassel M D
2609 Cassel D F
2611 Vacant
2621 Badella E H
2641 Culligan Soft Water Serv of
SanDiego J 0321
2651 Stokes R E, W 8-2060
2653 Estes Geo, W 0996
2655 Giordano Anthony
2657 Taylor Roy, J 3814
2876 CH&N Pattern Shop J 7871
2380 Capitol Electric Co cont'r
J 3168

Nutmeg intersects

2700 Special Serv Flooring Corp
W 0168
2104 Wanzer A J @ W 9756
2711 Victor Equip Co welding
apparatus W 6312
2745 Acme Saw & Sup W 0124
rear Kettner Radiator J 6917
Overnight Round Saw Serv
J 6406
2753 Kettner Radio reprs J 4411
Olive intersects
2805 Ghio Matt @ W 2833
2812 Pat's Cafe W 9226
2815 Zolezzi Rosa Mrs @
2824 Helneke L C, W 5077
2825 Massa Louis @ J 3764
2830 Lococo Philip, W 3892
2836 Ghio A C Mrs, W 8-2591
2839 Asarow Andrew @ W 8-1898

Palm intersects

2903 Rouke & Sharp printrs
W 8-1235
2917 Bowers & Co hosp sups
W 8339
2918 Vail M F, W 8-2490
2920 Broell F C @ W 8255
2931 Welding & Cutting Apparatus
J 3156
2941 Angle J S
2942 LaVee Harry @
2953 Gordon A G @ J 5642
2958 Leesman G J @ J 6637
2980 Scholder J G, J 1736
2982 Kolb L A Jr W 2019

Quince intersects

3001 Milburn Ernest
3002 Colombo Fidel @ W 2080
3003 Vacant
3009 Harrison R W, W 2440
3011 Sweatwain G E Mrs J 8130
3013 Vacant
3017 Guyas J R
3017 1/2 Craig S R, W 3211
3019 Green H E
3020 Mylor Geo cabtnkr J 9750
3027 Hart O J
3028 Kearney C E, W 8-2546
3029 Detton Betty
3030 Hubele F O
3031 Moody W D, W 0439
3032 McDonald J W
3033 Graham R B
3034 Morris C J, W 2868
3038 Coltrah H A, J 2252
3040 Adams C R
3041 Aufert W H
3042 Tremble J S, J 2047
3043 Vermilya J W, W 1624
3044 Johnson C W, J 2526
3045 Smith D W
3046 Blanchard J D

Redwood intersects

3105 Koehler Amelia, Mrs, W 6846
3109 Rennells C L
3111 Rich I W, J 5733
3113 Armstrong R L, W 8-1507
3125 Melchong W F @ J 8274
3136 Switters Freda A ins agt
J 3114
3140 Ace Land & Mortgage Co
loans J 3114
3143 Vacant
3146 Kelley W C
3148 Froehlich B D

3148 1/2 O'Quin J D, J 7589
3161 Craun L M Jr
3163 Vacant
3165 Albany W H
3167 Tomasin J B
Spruce intersects
3205 Lazear C D gas sta W 9563
German E J
Stanley Moharl
Thompson J D @ W 5988
Witt D H
3231 San Diego Seal Adv Co
J 2974
3237 Sappington Ross
3239 Ogilvie W D, W 4707
3241 Mercurio Mary Mrs J 8549
3242 Ricker W H
3243 Topolski Chas
3249 Foster Marlon O
3251 Wong Stella H @
3253 Gabrielle John Jr
3255 Elliott T R
3257 Crawford Frances, W 4719
Sassalras intersects
3334 Welding Engineering
W 8-3740
3338 Vacant
3540 Rollins M V
3342 Horner H H
3346 Cormier A C
3348 Carmichael J V, W 8-3608
3370 Soares Ruzebia Mrs @
J 1285
Samayva A M
Turner Ruby M Mrs
rear Brandon Russell

Thorn intersects

3429 Coggeshall A W plmb J 6879
3433 Swope Termite & Fungl Co
pest control J 7471
3441 Nelson E M @
3444 Iavelli M L
3452 Jacobson Ernest, J 7454
3455 Fletcher Elmer
3456 1/2 Phelps R D @
3458 McDaniell W H
3465 Vacant
3466 Vacant
3467 Pedrin Albert Jr W 6404
3468 McCrohan Dan
3469 Jackson S R
3471 Watkins V L
3473 Hill H R, W 8-1352
Upas intersects
3505 Neldig W H, J 3832
3507 Clark Lugelia, W 1410
3509 Hardy W A, W 6800
3511 Boucher Chas, J 8032
3513 Dennis G M
3515 Michinger John
3517 Tate Clyde
3519 Richards R H, J 8309
3521 Fowler Dorothy Mrs J 7175
3523 Graham I H
3527 Moore V I
3529 Sowersby Jas
3531 Wetherbee R C, W 3759
3533 Halverson D K
3535 Ketchely Burl, J 1745
3537 Rabbs Loren
3539 Ainsworth J P
3541 Jones Chas, W 8-3024
Vine intersects
3553 Baden C F
3575 Fire Dep't Sta No 20
Walnut av intersects
3600 Century Lmbr & Mill Co
J 3125
3603 Holladay W J, J 6338
3605 Marker L U, W 9989
3607 Cruger A B, J 6513
3609 Spence K W
3611 M & M Cafe W 5362
3611a McClelland LaVerne Mrs
J 5908
3611b Palmer Walter D, W 8-2871
3619 Costello C E broker J 0794
Ehy R R real est J 0794
Mellan & Qualls plmbrs
J 9927
Sherman H A real est J 0794
3631 Olf Abr @ J 3880
3637 McMorrow Carrie Mrs @
J 3455
Chalmers intersects
3655 Thlem A G @
3657 Rubin Maurice & Sons
news dislr J 1755
3663 Brown Harold C
Brown Henry C
Fisher Evelyn
3665 1/2 Burnett Chas
3665 Vacant
3667 Taylor S L Mrs J 5031
rear Unger P S, W 2982
3667 1/2 Godfrey V R, J 8976
3674 Bonded Cleaners & Lndry
W 9627
3675 Knox N A Mrs
3677 Fitzgerald J B

KETTNER BLVD—Contd

3679 Leckitter Helen Mrs J 6993
3681 Franklin G L Mrs
3684 Ross News Co news distr
J 8255
3686 Vacant
3695 Whittington H J, J 3057
Winder intersects
3704 McCollom R B Mrs ins agt
J 3175
McCollom W M acct J 3175
and J 3176
3786 Frazier Max
3708 Ogle C C, J 7228
3710 Baker L E
3730 Bethel Chas
3734 Walker R A sbmtmlwkr
W 4893
3744 Koehl G J, J 2212
3747 Palomar Lndry and Dry
Clnrs J 5181
Andrews intersects
3765 Morris R E, W 1550
3767 Alves Anthony, J 4242
3776 Curry G L, W 8-2168
3778 1/2 Holloway J H Mrs
3778 Sylvester M A Mrs W 4905
3779 McCowan B E @ J 8206
3785 Baiwick Lucille @ J 8157
3792 Alexander W A
3794 McDonald J A, W 5464
3796 Smith D M @
3797 Fowler E W @ J 0304
McKee intersects
3802 Nichols F L, W 8-2697
3803 Osler W R @ W 1840
3809 Blendara J A @ W 8-3398
3821 Rice J D Mrs Mrs W 2489
3830 Peukowski Adams
3831 Fouts E L Mrs @ J 1602
Wheeler Mabel Mrs
3832 Komos H J @ W 5578
3833 Mason R A, W 8-1796
3838 Morse N E
3841 Anslin V M Mrs @ J 8348
Unger E J, W 5965
3844 Devine Betty, W 4726
3847 Farrell F R, J 6986
3848 Bullard Marg @ J 3347
Friglie intersects
3837 Wellman S C
3859 Hughes H E
3865 Bolhuis Alcea, W 8-1133

McKee intersects

3802 Nichols F L, W 8-2697
3803 Osler W R @ W 1840
3809 Blendara J A @ W 8-3398
3821 Rice J D Mrs Mrs W 2489
3830 Peukowski Adams
3831 Fouts E L Mrs @ J 1602
Wheeler Mabel Mrs
3832 Komos H J @ W 5578
3833 Mason R A, W 8-1796
3838 Morse N E
3841 Anslin V M Mrs @ J 8348
Unger E J, W 5965
3844 Devine Betty, W 4726
3847 Farrell F R, J 6986
3848 Bullard Marg @ J 3347
Friglie intersects
3837 Wellman S C
3859 Hughes H E
3865 Bolhuis Alcea, W 8-1133

KEW TERRACE — South of Nutmeg bet Teresita and Boundary

2603 Vismara Mario @ T 1-8442
2604 Trelease J A @ R 7455
2609 Ramsey M O @ T 9747
2610 Mentzer R J @ T 0988
2615 Griffin F J @ T 5909
2618 Burke W L @ T 1-7718
2625 Tilton E B @ R 7784
2624 Combs L A @ T 1-2901

KEY WEST LANE (Frontier Homes Housing Project)

3201 Lynch J E
3202 Kirby T L
3205 Christensen F M
3206 Addington M G
3209 Givens R D
3210 Labbe J R
3213 Fenstermacher E R
3214 Zaleski S D
3217 Moles G E
3218 Schofield T T
3221 Crane C D
3222 Stover F E

KING (North San Diego) — Southeast from 750 Lieta

KINGSLEY (Loma Potosi) — Northwest from 2950 Rosecrans
3003 Faulkner H R @ B 4151
3021 Wright L A II @ B 6097
3022 O'Rourke C P, B 7059
3030 Levy David @ B 2-3026
3035 Warren W L @ B 8672
3036 Sample W Jr @ B 8665
Locust intersects
3104 Rist A E, B 1449
3105 Shearer G W @ B 3344
3111 Crossman H M @ B 8576
3114 Waterbury E N Mrs @ B 7755
3121 Cartwright A B @ B 7058
3122 Connelley H M @ B 2-2473
3130 Gould S C @ B 6484
3131 Barlet R F @ B 3754
3141 Cartwright Grace Mrs @
B 5492
Gillespie J P
Evergreen intersects
3212 Hurlburt G G @ B 3215
3226 Heissel E J Mrs @ B 5597
3641 Post L M @ B 7472
3642 Calne M R @ B 2-1763
3647 Smith C J, B 2-2848
3648 Bonner K H @ B 2-2497
3653 Duncan W S

PACIFIC HWY 1952

CECIL B. GROVE - Contractor

DUMP TRUCKING - EXCAVATING - GRADING - CRUSHED ROCK - SAND - GRAVEL

3216 Island Ave.

Franklin 7474

COLLECTIONS FOR D-E-B-T-S

MERCHANTS CREDIT ASSOCIATION RETAILERS CREDIT ASSOCIATION 15th Floor San Diego Trust & Savings Building Telephone Franklin 6241

OVERLOOK DRIVE E—Cont'd 4254 Ellison M L @ T 1-8823 4256 Easton G W @ T 8297 4258 McDonald R R @ T 2-1812 4266 Frank H J @ R 9312 4311 Crouse W E @ R 6241 4312 Sanders Andrew @ R 8900 4317 Messick J A @ T 1-3932 4318 Snow A L @ T 2454 4325 Cordell C E @ T 4485 4328 Hoffmann E R @ T 1-6992 4331 Nichols W A @ T 1-5732 4332 Charlton R A @ T 1-4974 4336 Michels L M @ R 7506 4339 Lewis J T @ T 8111 4344 Thomas W O @ T 1-3222 4345 Clark C L @ T 8208 4351 Weiss R E @ R 3718 4352 Kistner W J @ T 1-7232 4359 Hall S H @ T 1-9441

OVERLOOK DRIVE, WEST—South from 5900 Truvin, 1 w of E Dvor... 4204 Stillner H H @ R 6918 4210 Leaser Jas Mrs 4218 Camarda Frank @ T 1-7959 4219 Parker W K @ T 1-7959 4220 Taylor M E @ T 1-7959 4223 Julian R F @ T 5923 4228 Anderson J T @ T 1-7223 4238 Danson S C @ 4244 Rivers H A @ T 5318 4245 Karpman Ethel @ R 3400 4250 Farris R L @ R 7385 4253 Bell K J @ T 1-6493 4258 Brick R W @ T 2863 4261 Overton H W @ T 6313 4262 Fata J E @ T 4011 4263 Sanderson C @ R 1866 4268 Hauser L D @ R 1-6761 4273 Geater G E @ T 1-4517 4274 Loch W Y @ T 1-5748 4279 Harris R M @ T 1-6316 4280 Ryan H H @ T 3781 4284 Hildub R D @ T 1-6144 4285 Moncey R J @ T 1-1320 4286 Chamberlin Russell @ 4287 Oall J P @ T 1-4531 4288 Thomas M F @ R 6326 4289 Kallangier R B @ T 1-6885 4295 Silverstein V N @ R 1404 4296 Wolf N L @ T 1-8410 4298 Shilling P C @ T 1-5962 4300 Kieffon W F @ T 1-2175 4301 Watson E F @ T 1-3065 4306 Rimoldi K J @ T 1-5359 4308 Underwood D O @ R 7774 4312 Smith W W @ R 6685

OWEN (La Playa)—West from 500 San Antonio st 2923 Leelan R K @ H 7311 2926 Russell J W @ R 2-3149 2929 Miller C E Mrs @ B 5284 Reeder E J @ B 5284

ROSECRANS INTERSECTS 3023 Morales K M @ B 2111 San Elije Intersects 3117 Thompson G C Mrs 3120 Strawn A E Mrs @ R 4351

OZARK (Encaente)—North from 4920 Imperial av 294 Frankfort M M @ 4-2159 295 Forbes J C @ M 4-4082 296 Kingston Alf @ M 4-1984 299 Smitherman W A @ M 8441 210 Forbes G E @ M 4-2565 211 Wether R E @ M 4-1621 217 Turner R G @ M 4-3234 218 Morgan D J, M @ 4-1621 218 Noller F E @ M 4-1788 222 Pierce Chas 222 1/2 McNally R W @ 225 Smith G S @ house mover M 4-5797 314 Klassen C A @ M 4-1358 325 Vanduzer H M @ M 4-2039 334 Beauler C A @ M 4-4161 335 Perry E E @ M 4-4186

OZARK S (Encaente)—South from 4920 Imperial av 105 Koehor M E 197 Vacant 114 Olson H G 214 Crewse Cofer, M 4-7422 219 Sharpnack J M @ M 4-3747 220 Hudson R D, M @ 4-8591 231 Rudowicz J @ M 4-6901 237 Hesterberg Maxine Mrs M 4-7170 243 Tabler Gladys Mrs @ M 4-2855 251 Kuhn Jeannette Mrs 251 1/2 Sabbin E J 305 Smutny Bertha M, M 4-7034 309 Smutny Louis @ M 4-4763 317 Burgess D I Mrs 327 Marshall Albert @ M 4-1853 344 Marks J M @ 4-5383 405 Martin W D, M @ 2189 411 Webb O E @ M 4-2252 429 Daniel L S @ M 4-3426 436 Morrison A G @

PACIFIC BEACH DRIVE (Formerly Pacific Av; Pacific Beach) East from 4188 Ocean Blvd 722 Roland Clyde @ H 8-5427 729 Ebert P C W 731 Gaudoin P F, H 8-9178 735 Mangum D H @ H 8-4109 747 Rigold Barron Constan Co bid center H 8-2842 816 MacLean A B @ H 8-7342 824 Conover Roy @ H 8-7571 832 Walsh W R, H 8-1470 840 Mandall Harry @ H 8-7770 850 Neukema E J @ H 8-6647 811 Sailer W E @ H 8-3210 919 Moore K H @ H 8-4279 924 Mayes D W Jr @ H 8-6339 927 Denton Kenneth @ H 8-2364 932 Pridemore R P @ H 8-9074 936 Leonard C A @ H 8-9332 946 Wisdom M V @ H 8-7293 952 Mitchell T T @ H 8-3400

Case Intersects 1002 Wark A S, H 8-5587 1012 Perry J J @ H 8-8340 1020 Schiefer W E @ H 8-4563 1025 Rice B F Mrs @ H 8-2394 1028 Ybarredo E C @ H 8-8094 1046 Morrison A H @ H 8-4165 1048 Olson Hooker @ H 8-8692 1068 Kelly J S @ H 8-5653 1068 Franca V A @ H 8-5988 1071 Allen F W @ H 8-6910 1076 Falvey S R, H 8-7846 1102 Jarvis J F @ H 8-2123 1111 Hunt D L, H 8-9222 1281 Wynne L C @ H 8-7954 1120 Ralley E J @ H 8-8131 1121 Bradford L @ H 8-8131 1125 Ingle H J @ H 8-2468 1145 Johnson M W, H 8-6282 1152 Miller J A @ H 8-2138 1169 Lynch Howard @ H 8-3954 1183 Hess C R @ H 8-5907 1164 Hilsenrath Mrs 1168 Kucny F H 1173 Diamond N W @ H 8-2404 1174 Long M A @ H 8-2753 1175 Diamond A H @ H 8-6171 1178 Nelson C A, H 8-2787 1178 Delbert N K 1182 Watt D F, H 8-0389

Everts Intersects 1995 Sawyer J W @ R 8-2420 1211 Eotchen G @ H 8-3161 1212 Dean K J Mrs @ H 8-3751 1220 McCull L S @ H 8-4607 1221 Laughlin J J @ H 8-3302 1228 Sigale R H, H 8-1255 1228 Klank M F 1228 Albrecht E H @ H 8-3650 1230 Cooper W J, Jr, H 8-2923 1232 Wilson E J @ H 8-6044 1235 Blair E S @ H 8-7972 1243 Miller W F real est @ H 8-4435 1246 Ernst J B @ H 8-3277 1251 Sarkiss Brand @ H 8-3026 1254 Thomson Elmer @ H 8-3193 1259 Boughton D C @ H 8-3496 1284 Honesmuth A D 1767 Walter A E @ H 8-8185 1268 Douclas Monte @ H 8-2132 1275 Tobin T M @ H 8-3115 1278 Pedersen Jons @ H 8-3333

Fanuel Intersects 1304 Grabowsky T A, H 8-4482 1312 Ertel G V @ H 8-5844 1320 New J R @ H 8-3904 1321 Cromer R E @ H 8-6806 1327 Vacant 1330 Hodges E D @ H 8-2184 1332 Croley J R @ H 8-5161 1342 Bertrand E L, H 8-2818 1346 Lisle W K @ H 8-4384 1351 Morton R C, H 8-4458 1356 Hubert Rose Mrs @ H 8-4293 1360 Jones J C @ 1361 Foltz C A @ H 8-4294 1364 Dolley J A Mrs @ H 8-1817 1368 Moore Joyce 1369 Bell K R @ H 8-3592 1375 Edwards E C @ H 8-7186 1376 Vacant

Grasham Intersects 1401 Proulx J B @ H 8-8841 1404 Terry J C, H 8-2785 1412 Beatty R G @ H 8-5243 rear Burnwood F A 1420 Concock G E, H 8-4095 1422 Oster F F Rev @ H 8-6647 1424 Byroslewicz A F, H 8-6147 1424 Shaw Ruth 1424 Oabrink R H, H 8-1549 1428 Knox I M, Mrs @ 4-4465 1446 Bradbeer B, H 8-5543 1442 Aischuler Geo @ H 8-4817 1444 Rondal Wm 1471 Marchette D E 1481 Guedon Wm, H 8-1499 1510 Watkins D W @ 1520 Plummer L A 1521 Blackman D G, H 8-1844 1530 Harris W A @ H 8-8772 1532 Floyd T J 1534 Smith R M Jr 1536 Vacant 1542 Staples B H, H 8-4885

1642 1/2 Peschall F J, H 8-9956 1544 Rombor R M 1544 1/2 Wood G O, H 8-4025 1550 Peyton G O 1552 Medin L L 1560 Braun M L @ H 8-9942 1564 Bruno Anthony @ 1568 Anderson Rosemarie Mrs @ 1572 West H T 1575 Campbell E M watch mkr 1577 Williamson Margt S, H 8-0051 1616 Crocker C M @ H 8-8415 1625 Kelly R A Mrs @ H 8-1837 1636 Bittusa Michl @ H 8-1833 1848 Schueler H A @ 1656 Parker G H @ H 8-9779

Promontory Intersects Ingraham Intersects Jewell Intersects 1704 Carey Renl @ H 8-5440 1714 Baxter S M, H 8-6070 rear Graham Geuthiliska Mgrs @ H 8-4870 1720 Porbus A Rav H 8-3375 1720 Zander C J @ H 8-6261 1731 Martin Merrill @ H 8-4545 1744 Kirpatrick C L @ H 8-8246 1754 Bailey C J @ H 8-6519 1755 Bascas R H @ H 8-5349 1760 Peterson F J @ 1761 Roberts N W @ H 8-6826 1768 McAllister T F @ H 8-2984 1778 Bunch F L Jr @ H 8-6965 North Shore School of Fine Arts H 8-6965

Kandall Intersects 1804 Chatterton R A @ H 8-5912 1812 Garner T A @ H 8-8898 1821 Tens R A 1822 Wray Emil @ H 8-5902 1825 Smith L A @ H 8-6440 1836 Mattson C A @ H 8-2013 Sequoia Intersects 1844 Jackson C R @ H 8-1866 1854 Kelly L W @ H 8-6990 1855 Bayden R J @ H 8-9121 1856 Brotherton T W @ H 8-6801 1870 Young B A 1878 Zamba Joun @ H 8-7384 1913 Morris Alice Mrs @ H 8-9313 1914 King A E, H 8-3709 1918 Morris J S @ H 8-7929 1925 Martine E F @ 1928 Elphen Edith B @ H 4196 rear Symonds E J 1956 Dysart L M @ H 8-1048 1959 Alibert R E @ H 8-5155 1968 Sharpless C F Mrs @ H 8-4520 1970 Blair G G @ H 8-2550

Merrell Intersects 2014 Gordon G B @ H 8-1410 PACIFIC HIGHWAY (Formerly Pacific Blvd)—North from 958 W Market, 2 w of Kettner Blvd 525 Municipal Court Dept 5 County Criminal and Traffic Div F 9-6061

West G Intersects West E Intersects West E Intersects Broadway Intersects 609 Waddell's Red Service M 6600 1228 Naval Public Wks M 3871 1305 Harbor Travelodge motel F 9599 Moss H L @ Ash Intersects 1405 Standard Station M 7392 1495 Parker & Thornburg gas sta Beech Intersects 1505 Civic Center Travelodge motel F 9-3778 Grocker J R @ 1523 Calabrese's Civic Center Cafe F 4934 1569 Quiggle Dick Texaco Serv gas sta F 2945

Cedar Intersects 1600 City & County Administration Bldg (civic center) F 9-7511 lobby James M F Mrs rotary Winter Christian clcra 1601 Shaw Bros Shell Service gas sis F 8-5254 1645 Ryan Aero Co (emp ofc) 1647 Business Advisory Bldg Serv F 9-8765 and F 3877 1655 Baker S M Mrs F 9-3013 1745 National Supply Co The F 8878 and F 8879 1747 Dann A E Importer F 9-5488 Robbins Marine Engine Wks M 5901

Date Intersects 1861 Aero Tool Serv & Sls F 6475 S & M Trucking Service F 6475 1893 Eagle Oil & Refining Co F 6883 Flying Tiger Line Inc F 6594 1833 Redell J C phys M 9300

PACIFIC HIGHWAY—Cont'd 1905 Vinyard Fred Overhead Garage Doors F 6192 1913 Servissoft Soft Water Service F 9-1376 1015 Cal-Diesel Service Co mach M 6692 1911 Quinell J B @ F 9-5359 1919 Lounsbury Harold 1919 1/2 Condit John 1943 Cordleone N J, M 1904 1971 Thompson B F Mrs F 8626 Grace Intersects 2045 Baldwin G L @ Fuel oil F 6533 2065 Vacant 2070 Moring's Union Serv F 5472

Hawthorn Intersects 2104 Balogh J W gas F 9-3142 2137 Top's Inc motel and restr ops F 9-4441 Top's Motel F 9-3441 Top's Rest F 9-7274 Ivy Intersect Solar Alrps Federal Credit Union F 9-2211 2235 Harbor Motors, F 9-3083 2263 Van's Richfield Serv F 9-2421 Justice Intersect 2285 Seaside Oil Co F 9-6539 2339 Travelodge Downtown F 9-2157 Ives D K Mis

Kalmia Intersect 2365 Holt Motors used cars M 3607 2421 Charlemagne's Inc W Laurel Intersect 2521 Caldwell Kenny Union Serv gas sta M 6735 2535 Anthony Fish Grotto M 3444 2665 Lewis Service gas sta W 4112 Nnting Intersect 2730 Fisher Aircraft Co gas sta W 8-1123 2775 Forchse W A, W 4219 Olive Intersect 2843 Vacant Palm sv Intersect 2905 Air Terminal Service gas sta W 8257 2936 Lindbergh Field W 6619 Acme Aircraft Instrument Co W 9946 Air Airlines Inc W 2111

Central Airlines 3025 W 6282 Coast Guard Air Sta J 3121 Friedman Aeronautics Inc Molltor Edw T Aircraft Serv towers F 6322 and W 6137 Municipal Airport W 6619 North Am Air Lines J 7563 Pacific Southwest Airlines J 2195 San Diego Sky Frt W 3118 Friedman Aeronautics Inc ft Harbor House F 6116 San Diego Coronado Ferry Landing M 5879 525 Municipal Court Dept 5 County Criminal and Traffic Div F 9-6061

West E Intersects 3005 Convalt Employees Cafeteria W 6151 3165 Consolidated Valtee Aircraft Corp W 6611 3202 Consolidated Valtee Aircraft Corp plant No 1 3395 Convalt Recreation Assn Club House W 3350 3401 Aircraft Corp W 9454 Sassafras Intersect J 4534 Bean begin 3727 Ace House Moving Co W 1438 3733 Ross Chuck Wagon Cafe J 7117 Washington Intersect 3743 Davidson & Son Texaco Serv W 9710 Clayton Intersect 3803 Pacific Sporting Goods J 6288 Witham T H 3831 Kern's Donut Shop restr W 9462 3945 Safeway Stores Inc Sutherland Intersect 3963 Pacific Gas Market gas sta W 8165 3877 South Seas Cafe J 1606 3879 Withamer P H (whale) 3881 California Liquor House W 9255 3885 Super-Cold Corp W 8-1196

UPAS/COLUMBIA 1952

1032

UNIVERSITY AV—Cont'd
6190 Hibel John @ 3114
6586 Ahlers C F @ R 3206

6514 Graves M J @ T 4377
6522 Wrightson Arth Jr @
6530 Roth M H @ T 6283
Aragon dr begins

6570 Vacant
6602 Gilman Grading Co T 9-1354
6636 Richard's Shell Sta H 8642

6963 Moranville Realty H 5-2289
7821 A & W Liquor Store H 4-9858
7825 Vista La Mesa Garage
H 4-9411

Vista La Mesa Serv gas sta
H 6-9811
7037 Valentine House H 9-3117
7095 Denison Sporting Goods
H 6-7857

7690 Rouded Cleaners & Lndry
H 4-9844
7103 Du Friend's Shoe Repair
7105 Vista La Mesa Beauty Salon
H 6232

7109-11 Hamersley Hdw H 6-5698
7115-21 Pritchard A V Junior Dept
Store H 6-5373
7127 Vista La Mesa Pharmacy
H 6-1948

7147 Coopers Food Store H 6-8116
Tyson & Turvill Quality Meats
H 6-6116
Tyson C N

7151 Parish H H real est H 6-7319
7287 Alvord J R concrete contr
H 6-1831

UNIVERSITY AV WEST — West
from 3980 1st av
126 Florence School J 6177
121 Ace Rig & Upholtery Clnrs
W 5742
Hayes Marlon J @

Alhambra intersects
Front intersects
316 Jewell Jenna E Mrs @ J 4402
318 Mellison V E J 4261

326 Borushak G G @ W 3737
327 Ryan Maurice L J 4258
321 Britco C J Mrs @ W 3936

337 Bobbitts F R @ J 1239
338 Lusk H Mrs @ J 5925
340 Grundy S E Mrs W 6736
341 Sampson A E J 7453

342 Wilson J W
343 Campbell Thos
344 Buckle H T W 2701
345 Fields Frank

347 Montez A G Mrs W 2455
348 McConaughy W E J 6231
349 Evans R M W 5785
350 Horton H H @ J 6498

351 Hayes E A @ J 8687
352 Rencher Arch R audio eng
W 1572
354 Saragoin J A J 4390

356 Waibel B E
358 Mobsen Norman J 3799
370 Blume Kathryn M W 8-2822
398 Gorse R M
Grant intersects

408 Dalton C K Mrs @
Lovett A M
410 Rex Arms Court
Gallagher J A

419 1/2 Sheppard F P Mrs J 6922
419 1/2 McDonald J O W 8-3551
412 1/2 Thompson O B J 6936

414 Haquest L G J 5882
414 1/2 Therson Hdw W 2672
415 Lepore Louis @ J 2381
416 Helmsmiller Ernest W 4633

463 Sacco Sam @ W 9-1713
471 Free K D @ J 4895
416 Couch C D @ W 5738

417 Murray H R
422 Heakett Martha @ W 4320
425 Myers Chas @ W 3286
431 Wheeler S A J 1892

433 Hughes Annetta Mrs @
W 8-2392
525 Gordon H S @ J 4769

UPAS—East from 3400 1st av
126 Jones L E Mrs @ J 1219
2d av intersects

206 Galtman J L @ W 2395
209 Black W C @ J 8784
243 Choate Rufus @ J 8577

245 Dalton J H W 3725
386 Durfee E N @ J 1564
207-19 Fashion Court

307 Kearns Agnes E W 1218
309 Simons Ruth E
311 Moxton R M @ J 3379

313 McWilliams H P W 8-2852
315 Miller C W Mrs J 1239
317 Bolton J H

319 Radick Geo W 8-3840
320 Smith B J @ J 5261
322 Turner Ethelvyva Mrs J 7733

323 Blanchard J M W 8-3077
325 Neach Burde W 6522
327 Culbertson Grace Mrs

4th av intersects
419 Jacobs T M @ W 7765
428 Billings R W W 1369

436 Brownell E B Mrs J 2350
434 Baker Candy Co
436 Spratt Geo W Optical Co
F 7258

438 Ryan D J concrete contr
W 0791
440 Barney Lorenzo W Co real est
W 2119

Belt F Rex acct W 2119
Mission Beach Const Co
amenements W 2119
Palmer Arch W Co ins agts
W 2119

5th av intersects
310 LaEstrella Apartments
Bongston Corinne W 4695

Bissard Harry J J 5754
Booper F J W 2815
Boyle Mary M W 8-3154

Davis Maude D J 6165
Emeis Jane H Mrs J 1419
Fraser Dick
Gibson P A W 4596

Owen L M Mrs J 1975
Fruze V M W 8-1849
Ruddy Clara M W 1105
Scholder Ethelmae W 5923

6th av intersects
624 Maurer E L J 1256
Robison Mary Mrs @ W 2327

636 Thurston D C Mrs @ W 4109
7th av intersects
741 VanKeuren J O @ J 4120

1726 Gaffney G J W 2447
1725 1/2 Paxton Betty J J 7452
1726 1/2 McCabe Dora A J 5005

1728 1/2 Law Ruth R
1730 Emerson R M Mrs J 7256
1730 1/2 McGee Pearl K W 2959

1732 Gramercy Court
1732 1/2 Badollet Sue C W 8-1923
1734 VanLance Lemora
1734 1/2 Fournier H A J 8745

1736 Ledbetter E R J 8614
1736 1/2 White H F
1736 1/2 Hughes T C W 1246

1738 1/2 Perkins Lois W 3499
1740 Hemphill H A dance thdr
J 9438

Iverson Lucille Dance Studio
J 9459
Kaleksis Nadesda Mrs dance
tchr J 3458

Young L I Mrs
Indiana intersects
1809 Bagley Eliz W 8-1897

Chessonman W D Mrs W 5021
Dalyrnock Jas W 4320
Finnegan W J W 9839

Slusher Sarah Mrs
Georgia intersects
Florida intersects
2044 Lymons Ellis @ W 3098

Alabama intersects
2102 Greenlee D G @ W 8-2255
2124 Stivers V E Mrs @ W 1581

2132 Warner M E Mrs @ W 4295
2140 Bledermann J L @ J 2329
Wisconsin intersects

2212 Wortman E C @ W 8225
2222 Bright H S J 8688
2228 Davles C W @ J 5611

Louisiana intersects
2308 Turner B L @ W 3581
2318 Phillips W A @ W 3581

2325 McIntosh J A @ J 9445
Texas intersects
2420 Reyburn L F @ J 5307

2428 Sawyer N S @ W 8-2694
2430 Downard M W @ W 9907
Arizona intersects

2510 Hallquist C S @ J 1959
2518 Caperton Virginia Mrs @
W 4258

2530 Yorbit G C
2543 Vacant
2566 Ward A E W 8-1948

Arnold intersects
Vilia ter intersects
3802 Brown N C Mrs @
3912 Toussaint R H @ W 6357

3916 Vacant
3918 Fort Louis J
3920 Grant Kobt @ W 3307

3928 Netherlands Consul of
VanZeghen Alf @ W 8-2526
Pershing av intersects
2718 Matson Jas H J 1219

UPAS—Cont'd
3162 1/2 Stewart H R Mrs
3164 Mallocks M M @ R 5963

3177 Knecht O G @ R 5963
32d intersects
2215 McLoughlin Charlotte Mrs @
T 1-7659

3218 Wilson R C
3224 Barry R L @ R 5058
3221 Smith C W T 1-6425

Manorcraft intersects
3254 Barnhart F G @ T 6099
3271 Clark J M Mrs @ T 1-1476

3274 Dowd Harriett Mrs @
33d intersects
5305 Kaplan J J @ T 5138

3616 Williams I @ T 1-5396
3811 Nash C G @ R 7213
3832 Fritchess M S @ T 1-1623

3834 Ford R F @ R 2899
3825 Cunningham B L @ T 1-4447

3844 Vacant
3864 Ayala C L @ T 1-2159
Florida intersects

3976 Prebittus L W @ R 0285
3380 Alford Edw @
3386 Sullivan K P @ T 1-1608

Johnston T D
Boundary intersects
4950 Dougherty A M gas sta
W 9295

UPAS W—West from 3400 1st av
102 Oppenheimer H
104 Tice Anton J 4483

106 Butsch C N J 9911
109 Hackle Agnes Mrs W 9-3128
110 John Leja Mrs @ J 1210

120 Whaler C
122 Wilson C H W 6949
124 Brodman Adolph W 4488

126 Treasler C T W 8371
142 Crouch R J J 7717
144 Cossello L P J 5648

146 Hemmingsway Paul
148 Kerth A H @ J 9294
Front intersects

Alhambra intersects
335 Keemeth L F @ J 1254
336 Vacant

418 White W D @ J 2720
782 Gould L H
795 Johnson C M @ W 3820

716 Baitus L P W 9-1984
718 Miller S Q @ J 9447
719 Giacalone Jos @ J 2240

724 Colson A M Mrs W 8-2341
726 Holloway L R Mrs J 8382
728 Buell C S W 2361

729 Field H C @ W 8-2825
730 VanDusen B F J 9345
732 Standand B N J 8455

741 VanKeuren J O @ J 4236
753 Ekers Signe Mrs @
W 8-3347

807 Brown F J J 8973
816 Baitus L P W 8-3956

817 Russell E L @ W 1565
820 Kinloe Lawrence @ J 2582

845 Kazzetto Chas @ W 6626
850 Brennan J J @ W 8-1387

Goldfinch intersects
Hawk intersects
1046 Milligan J A
Falcon intersects

1315 Carl R H @ W 4426
Kite intersects
Union intersects
1506 Hubbard B A J 5064

1508 Hubbard Kenneth W 8-3446
1510 Sherman A C W 8-2839
1512 Vogel R E W 4473

Columbia intersects
India intersects
UPLAND (Encanto) — East from
1600 60th
6038 Mathews L A @ M 4-5388

UPSHUR (LaPlaya) — West from
1650 Shaffer, 2 e of Rosecrans
2716 Hart S F B 2-3981

2741 Golden J W
2758 Wilson W R B 2-2437
2773 Chadick R L B 4822

2782 Bradley O W
2784 Mead C W B 2-2912
2905 Nash C W @ B 8169

2911 Osterode R F B 8179
2918 Devony F J
2919 Wick C L @ B 2-1222

2920 Orum D M
2922 Devitt M T
2924 Asbury Rose Mrs

2924 1/2 Silva Mario
2926 Vegas Mae Mrs
2926 1/2 Vacant

2927 Silva Adelmo Mrs B 1896
2929 Seolter F J
2943 Medina Marine Repair B 7409

2946 Demara S M Mrs
Rosecrans intersects
3014 Splitz K J
3916 Epler S R 7014

3918 Kipp H P Mrs
3929 Nusty J E
3932 Allen L J Mrs

3934 Rowland Erwin
3928 Florin C J B 1844
Armada ter ends

COMPLETE IMPARTIAL LIST OF BUSINESS CONCERNS without regard to Size, Importance, Location, or Appointments, is your THE Only CITY DIRECTORY CLASSIFIED BUSINESS SECTION Res. G. 5-4439 H. 8-8336 1359 Garnet Ave. GEORGE J. LAHOUD LICENSED REAL ESTATE BROKER

CUTRI INSURANCE AGENCY, INC. INSURANCE SINCE 1925 — C. A. CUTRI, Pres. MARINE, GENERAL AND LIFE INSURANCE SUITE 1016 FIRST NATIONAL BANK BLDG.—1007 5th AVE. PHONE MAIN 0174

VINE ST 1952

VILLA TERRACE—Cont'd

2689 Maxwell C W @ 8-3665
2692 Bailey Leila E @ J 8967
2694 Hicks R C @ W 3669
...
3770 Parkina L C
Steele Alex @ J 7168
3772 Peeler S E W 8086
3776 Grapl A G @ J 0166
3778 Jordan J W 6374
3783 Freeberg L H Mrs @ W 5378
3784 Switzer C L Mrs @ J 4781
3786 Patton C E
3794 Brown J F @ J 0455
3798 Parkins J W @ J 1874
Wigwags Intersects

3803 Nell P C @ J 8673
3806 McDermost T J @ W 4679
3808 Hapton Beattie Mrs
3809 Zuber A B W 3783
3810 Chambers J
3814 Huff (J) C
3811 Cummins W R J 8981
3812 Davis M L
3819 Knick E E J 3596
3814 Smith F G @ J 7394
3815 Broadhead L E Mrs W 4719
3817 Schmidt Mildred L J 0798
3819 Edwards D G Mrs J 8663
3820 Burr E F Mrs @
3822 Adams R D J 1329
3828 Century Upholstery Co (shop)
3830 Smith J R @ W 6374
University av Intersects

VINCENOTE WAY (LaJolla)—East from LaJolla Blvd. 2 s of Palomar
464 Bright J J
465 Rudnick Philip @ G 5-7459
411 Booth F A @ G 5-4847
412 Buehman W L @ G 5-1215
419 McGowan L E Mrs @ G 5-7937
420 Brown E E @ G 5-3639
427 Floyd C @ G 5-2982
428 Leo Laura @ G 5-6650
436 Hoganson R O @ G 5-3641
Dowling dr Intersects

631 Hayes A J @ G 5-4681
VINE—West from 3550 Union
1403 Wade Marcell @
1407 Moore Mae Mrs
1412 Baldwin Steve W 5193
1417 Vinyard F A @ W 1134
1420 Hermosa W H @ J 1394
1421 McKinney J H @ J 3987
1430 Clark R W @ W 4312
1449 Wells M H @ J 6841
State Intersects

1501 Muelstein Adolph @ J 4825
1516 Saville Leola Mrs @ W 3030
1524 Borrowas Anna Mrs @ W 3600
Columbia Intersects

1611 Thomas D S @ J 6296
1621 Schimmel M M W 1743
1623 Weisler R W
1628 Wxy E E W 1708
India Intersects

VINE COURT—East from 1/2 blk w of 750 S 29th
VISTA (North San Diego)—East from 2200 Herona Blvd
1328 Bruns G C
1845 Anderson A T

VIOLET—Southeast from 4650 Manzanita dr
2562 Peabody E E @ R 2940
2510 Hochwender G K @ T 8286
2511 Dugal A M @ R 9594
2518 Franden G W @ R 1394
2518 Erick J @ T 1-3600
2525 McCraw J R
2530 Pittner E G @ T 2015
2538 Oliver W C @ T 5-1883
2547 Schwartz Harry @ T 8668
2549 Dowers J R @
Sycamora dr Intersects

2564 Chapman M H Mrs @ T 8399
2568 Way R W
2571 Shastee T @
2576 Knudson H E @ T 1-3294
2608 Simpson T R T 9358
2614 VanBuren H C @ F 8906
2622 Johns Aug @
2625 Wright J H @ R 9427
2628 Virillio Carmine T 1-7241
2631 Adams Vendors Mrs @ T 9654
2634 Kempe Arth @
2640 Ferris J M T 1-8112
2642 Blaukenburg A F @
2646 Cookesey F P @ R 8262
Poppy pl ends
Manzanita dr Intersects

VIRGINIA (LaPlaya)—North from 1 blk s of 3550 Dudley, 2 a of Catalina Blvd

VIRGINIA AV—South from Stanley 2 s of Semolina dr
4611 Tripp C R @ T 1-7147
4612 Morris J T @ T 1-1654
4617 Schatumpf F A @ R 5669
4618 King R D @ R 0451
4623 Andrews L J @ T 1-5901
4624 Cox A W T 2155
4629 Bratkovice F A @ T 1-4903
4630 Kirsman H D @ T 1-4651
4635 Schauer A T @ T 3-1458
4641 Butler P O @ T 1-6755

VIRGINIA LANE (LaJolla)—East and no from intersection of Torrey Pines rd and Grand av

VIRGINIA WAY (LaJolla)—North east from 7600 Elford av, 1 a of Torrey Pines rd
1027 Nance Bros Roofing G 5-2331
1105 Diggs D H @ G 5-1464
1120 Embery H A @ G 5-3075
1121 Fowler Harry G 5-7876
1127 Jordan I A Mrs @ G 5-3764
1138 Flora Eliza Mrs @ G 5-1861
1142 Barca J F @ G 5-8663
1155 Pentry W W @ lna G 5-4955
1156 Vacant
1168 Thaxton R C @ G 5-3719
High av Intersects

1174 Vacant
1201 Zimamer V C G 5-1101
1208 Orelington H C Mrs @ G 5-6785
1211 McLeod W E @ G 5-0780
1214 Decker H H Mrs @ G 5-2989
1221 Crocker R M @ G 5-3571
1224 Nicol Duncan @ G 5-3073
1231 Galnes M D Mrs @ G 5-3955
1236 Elliott Fanny L E G 5-3955
1238 Williamson H @ G 5-8071
1243 Short R E G 5-1604
1246 Smith F M @ G 5-3597
1252 Edwards Alice @ G 5-3897
1257 Steene G M @ G 5-3385
1260 Baker H M @ G 5-3836
1263 Wilson C D @ G 5-1467
1271 Mackowin J C Mrs @ G 5-6646
1274 Fox Kathleen Mrs @ G 5-1717
1275 O'Laughlin Helen @ G 5-6608
1285 Weese J M G 5-4725
1287 Magee J J G 5-3822
Thonberry Barbara E G 5-7620
1299 Kelley L E @ G 5-3366
Ivanhoe av Intersects

1301 Cisek L B @ G 5-1234
1304 Wilcox R H
1314 Deese M H Mrs @ G 5-6049
1321 Vacant
1324 Russell H L @ G 5-6602
1325 Williamson Agnes Mrs @ G 5-8716
1328 Vacant
1338 Mates H W @ G 5-4106
1345 Murphy E F @ G 5-4109
1350 Donaldson Eliae @ G 5-2697
1356 Carothers M H photog G 5-8788
Yarrow F S @ G 5-2924
1361 Krell H L R Mrs @ G 5-2823
1364 Battin J D G 5-4419

Exchange pl Intersects
1400 Hoover A M @ G 5-1793
1401 Walters B M @ G 5-2773
1411 Cottibuhl A @ G 5-4723
1412 Thorup I M Mrs @ G 5-4724
1414 Torrey F H G 5-4282
1419 Vacant
1436 Nadig I E Mrs @ G 5-6825
1437 Schuman A E Mrs @ G 5-6500
1440 George V E Mrs @ G 5-0452
1445 Romedka Mary T @ G 5-1282
1453 Lee May @ G 5-1633
1454 Vernaum G T @ G 5-3786
1461 Vacant
1475 Vacant
Proscop pl Intersects
1522 Evans John @ G 5-3829
1539 Vacant
1540 Johnson J G @ G 5-2083

VIRGO ROAD, EAST—North from 3600 Redwood, 1 a of W Virgo rd
3263 Mulanax D @
3264 Marwan G @
3212 Howard J R @
3213 Grant C @
3220 Davis L R Mrs
3223 Quito R E @
3230 Archer J R @
3235 Mason J B @
3240 Aguilar M E @
3245 Skimble C D @
3258 Harman W C Jr
3259 Henderson F G @
3263 Boss C D @
3289 Joyce Lillian Mrs @
3279 Burnett Alva L @
3275 Huerta J J @
VIRGO ROAD, WEST—North from 3550 Redwood, 1 s of 35th
3194 Ingram S W @ T 1-7857
3192 Shurud R E @ R 2858
3117 Thompson J W @
3122 Brackett R F @
3131 Pick Lee @
3132 Valday A R @
3142 Robison E R @
3149 Knapp H B @
3150 Wilke R M @
3205 Hamm L L @
3204 Lane J A @
3211 1365 Wm @
3212 Wenzburg C @
3221 Schooley P @
3222 Vacant
3231 Panepinto L E @
3232 Kershan J L @
3233 Schwehlyan J @
3242 Towsley G J @
Worthington A L Mrs
3259 Fritz W W @
3251 Peir T E @
3256 Worlman C P
3261 Graham H G @
3264 Jergor A J @
3278 VanAuler E L @
3276 Foreman Hulon @
VISTA (Kensington Park)—North from 4268 Madison av
4882 Dublin Michl @ T 4883
4883 Thores Waring @ R 7270
4898 Frizzell M H @ R 2425
4911 Fernandez J M @ T 2558
4919 Woolley R B @ R 6124
4920 Duming R M @ T 2823
4925 Kianrd L D @ T 1-5685
4928 Moore E C @ T 5668
4933 McKibley W J @ R 7467
4936 Schwelionbach Jos @ R 4336
4948 VanCott Thos @ T 7302
4943 Williams J R @ R 4940
4959 Colson I J @ R 7839
4961 Loucrgan J E @
4960 Minor G E
4961 Tyrrell R D @ T 2840
4966 Scoville M E @ R 8306
4969 Ryberg S A @ R 8461
4975 Sawaya J F @ R 9834
4976 Pollister H V @ T 1-3213
4980 Hamby T A @ T 1-2154
4983 Burns J M @ T 1-4794
4991 Hamilton J R @ R 7873
4992 Malby M L Mrs @ T 1-3846
4996 Donahuo P H @ T 3-1707
4997 Lee L P @ R 4234
Madison av Intersects
4993 Holmquist N A @ T 8573
4994 Stalfert J M @ T 1-7908
4998 Parsons L E Mrs @ R 9451
4999 Farr W A @ H 1688
4915 Paston C W @ R 3362
4610 Robison G H @ R 2261
4628 Dumlair Paul @ T 2856
4627 Stovall S L @ R 9666
4632 Rust J A Jr @ T 1-6916
4623 Rugg A W @ T 9816
4629 Clark C @ R 7668
4640 Gleason R M @ R 3425
4641 Worthington P K @ R 9208
4644 Clark G B @ R 7261
4648 Hallahan M C @ T 8813
4649 Nelson E M @ R 1641
4653 Cooper A E @ R 7069
4658 Weiler W @ T 6124
4663 Chaffee A E @ R 7093
4664 Johnson R W @ T 1-6147
4669 Falcutu J O @ T 1-5987
4670 Hill A R @ H 0564
4674 Milouner P J @ R 4566
4675 Apperice C F R 4533
4679 Vacant
4682 Hayes J E Jr @ R 4853
4683 Bernadine C V @ R 1222
4688 Handcock L P @ T 4014
Adams av Intersects
4704 Erdina L S R 6945
4706 Conwell H F Mrs @ T 3-1898
4711 Turk Chas @ R 5218
4722 Schmitt Emma M @ T 0475
4723 Drommerhausen Esther J @ T 3-1385
4725 Pettit M J @
4726 Vacant
4739 Ballinger Amy L Mrs @
4721 Vesco J C @ R 8018
4733 Marshall Florence D @ R 7151
4735 Kerlick S W
4817 Gouverette G J R 7412
4826 Wentzen G @ T 1-3105
4834 Karagas Christ @ T 1-3185
4825 Wolff J A Mrs @ R 2883
4835 Stenger C F @ R 6883
4896 Arnold W P @ T 3-1094
4841 Lister W W @

4842 Kouny C T @ T 4713
4850 Morse F L @ T 1-7197
4851 Morris J T @ T 1-5884
4857 Payson E E @ T 8249
4860 Sheffield G @ R 5029
4865 Parrish B M @ R 1335
4868 Bell W H @ R 9091
4873 Girodon E M Mrs @ R 4373
4874 Harris L W @ R 1285
4881 Curzon Campbell @ T 0650
4886 Dean A Mrs @ T 7333
4889 Laughon Allen @ R 6871
4890 Lovitt Jack @ T 1-7815

VISTA LANE (Kensington Park)—West from 4681 Vista
4754 Brown J H @ R 2783
4755 Moreno L N @ T 3622
4758 Stewart G W R 8464
4771 Hewitckor J A @ T 6825
VISTA PLACE (University Hts)—North from 2675 Coploy
4924 Mueller J A Mrs @ R 5591
4924 Robinson O A T 0940
4928 Looman M H @
4931 Lewis H W @ T 3325
4937 Miller J P @ R 7791
4938 Harrison John Jr @ R 6250
4940 Wodcock Guy @ T 1-1182
4950 Wolfe J R @ T 7036
4953 True Gortrudo @ R 0470
4955 King W O @ R 5232
4956 Tolson E L @ R 5981
4964 Harris Jack
4965 Fleming Cath Mrs @ R 7591
4966 Lowe W A @ T 1-6551
4970 Gould E A Mrs @
4974 Jesse M B Mrs @
4980 Holden H J @ T 7955
4984 Hagen L L @ T 7768
4986 Cobley R J @ R 3537
4991 Parks D M @ R 1217
4997 Hendricks Lawrence @ T 0211
5015 Richardson W F T 8823
VISTA DE LA MESA (LaJolla)—North from LaCanada, 1 w of 5900 LaJolla Blvd
6005 Ylatner Linn @
6004 Boone R L @ G 5-1715
6007 Koenig Alleen Mrs @ G 5-6481
6011 Palmer Solon @ G 5-4199
6012 Mitchell Edw @ G 5-2775
6014 Vogel C H @ G 5-3233
6015 Brady S B @ G 5-1558
6017 Smith G D @ G 5-3817
6020 Glacie G H @ H 5-2422
6023 Finley A B @ G 5-2203
6028 Martin J C @ G 5-7416
6030 Smith Kath J @ G 5-3082
6100 Sikas R L @ G 5-3930
6101 Shaver I N @ G 5-7368
6104 Phillips J L @ G 5-2381
6105 Schaefer K @ G 5-4196
6110 Trask Julia Mrs @ G 5-3568
6111 Doughty H J @ G 5-6987
6114 Vacant
6115 Nuckolls V W Mrs @ G 5-6296
6118 Gale Marjorie E @ G 5-4864
6119 Maxwell Blaine Mrs @ G 5-2391
G 122 Diefenbach W M @ G 5-2066
6120 MacLennan Alts Mrs @ H 5-4571
G 128 Haxdor F F @ G 5-4108
6130 Kypinski B M Mrs @ G 5-2452
6131 Whelan Theodora Mrs @ G 5-2492
6169 Broan C R gdmr G 5-3327
VISTA DE LA PLAYA (LaJolla)—East from 1 blk w of 7126 Monte Vista av
605 Harding E R Mrs @ G 5-1893
308 Lyon F G @ G 5-3259
313 Millikan Frank @ G 5-6627
323 Houseman W H @ G 5-6036
328 Imes Nalaho Mrs @ G 5-6497
329 Tamba R M @ G 5-6717
Farris P J
331 Vacant
339 Heuser Emil @ G 5-5378
347 Vacant
348 Clark Fuston G 5-1963
354 MacPherson J D @ G 5-4168

VISTA DEL MAR (LaJolla)—North from Palomar, 1 w of 6400 La Jolla Blvd
6587 Mack J C G 5-6351
6589 Zariak J A @ G 5-4450
Resonant Intersects
6612 Bertels C O @ G 5-1007
6613 Tieshoff C W @ G 5-7206
6622 Howard V G Mrs @ G 5-3726
Kolmar Intersects
6651 Dozie C M Mrs @ G 5-3689
6653 Hodges C J W @ G 5-1916
6663 Masterson C R @ G 5-3319
6667 Harris W H @ G 5-4821
6669 Kappenberger Agnes Mrs 5-3453
Gravilla Intersects
6701 Aldrich J L
6717 Glen H M @ G 5-3502
6721 Vacant
Playa del Sur Intersects
Playa del Norte Intersects
San Air Intersects
Westborna Intersects



ARTHUR V. HUNTLEY

REAL ESTATE AND INSURANCE

1643 FRONT STREET NOTARY PUBLIC



CALIFORNIA ST 1948

10' Between MARKET &

2632 Broderson R K
2634 Whilldin S E
2636 Mosley M F
2638 Forward Mae E
2640 Casa Jeanette
2660 Vacant
2662 Schuett E E

Mason intersects
2734 Buck A H restr
2754 Casa De Pico Motor Hotel

Wallace intersects
Taylor intersects

CALIFORNIA—North from 800 W Market to Witherby

1447 Watson J E Beech intersects

1506 Contreras R L
1516 Vacant
1516 1/2 Standley N T Cedar intersects

1610 Curtis E M Mrs
1612 Barber J S

1616 Ramirez Eug
1618 Urquijo L N
1620 Castaneda John

1620 1/2 Martinez R E
1632 Brennan Floyd
Gilbert Philip @

Goldberg Herbt
McClain E L
Zotti Eug

1634 Hoyt Patricia
1636 Tardowsky Gus Dale intersects

1804 Stillson F B @
1804 1/2 Frisby Bert

1808 Riddell H W @
1824 Fogerty F J (whse)

1842 Piranio Salvatore @
1930 Farace John

1932 Bologna Peter @
1940 DiMaggio Sabetino @

1948 Vitranco Anthony @
1954 Tarantino Salvatore

Grape intersects
Hawthorn intersects

Ivy intersects
2244 Pontecorvo Bertha Mrs @

2246 Pontecorvo G E
2250 Salmon T H @

2250 1/2 Salmon T E
2250 1/2 Salmon T E

2272 Salmon Joaquin @
2280 Tripp B M Mrs

Juniper intersects
Kalmia intersects

2416 Garcia E M
2424 Gomez A E

2430 Gonzales Augustine
Picon Jesus
Ramos Gilbert

2440 Alatorre Vincent
Atayde V S
Zomora Jos

Laurel intersects
Maple intersects

2801 Murphy M C @
Palm intersects

2921 McLaughlin L G @
2929 Naranjo Estanilado @

2941 Solorzano R M @
2968 Beers E G Mrs @

2970 Sands W E
Quince intersects

3005 Garcia Raymond @
3015 Gillam R H @

3043 Vacant
Redwood intersects

Spruce intersects
Thorn intersects

3449 Talbot Frank @
Upas intersects

Vine intersects
Walnut av intersects

3607 May H W @

3619 Coleman W S @
3625 Mallett C J @

3630 Mariposa Lndy
3645 Hiatt LeRoy @
3669 Associated Pipe & Sup Co

Buff V R bldg matls
Johnson A E @
3669 State Public Utilities

Comm
Bean ends
Chalmers intersects

Winder intersects
3717 Burnett E D

3719 Wharton Chas
3719 1/2 Pesanti M J

3721 Strong F L
3723 Gregory Claude

3725 Chaney G O
3727 DeHope Jas

3729 Wegeforth L P
3731 Baluka T A

Andrews intersects
3751 Five Points Auto Court

Barlow J H
Clark H H

3777 Norris J G liquors
3779 Roisman Simon clo cinr

3781 Sims Irene Mrs beauty shop

3785 Five Points Pharmacy
3787 Selby M J Mrs @

3789 Mooney T S phys
3789 1/2 Weiss Francis

3791 Balsey I L barber
Boies J H barber

3793 Peavler F G restr
3795 Five Points Food Mkt

McKee intersects
3801 Barton Nadine Mrs

delicatessen
3805 S D Motor Inn

Wood W N
3809 DeBow R G real est

Alray Ira S Co real est
3810 Five Points Serv Sta

3811 Baine E M Mrs @
3817 MacDonald R D

3819 Tracy A W Clayton ends

3827 Gentry C M Mrs
3830 Waitscox Robt

3831 Theriot A E
3832 Finnigan W C dentist

3833 Asaro J J
Bologna Philip @

3834 Carter H V
3836 Wilson W A

3838 Vacant
Pringle begins

3844 Dotts Homer @
3846 Ruocco Massimino barber

3856 DeVold L R baker
3870 California Auto Court

Nappin F H
3873 Bay View Motel

Graham T R gro
Hall J R

Levy J K
Modern Cbt Shop

Nichols H L cbtmkr
Sutherland ends

La Jolla begins
3917 Overmier J C @

3919 Knudson Emma Mrs
3921 Guess L M

3922 Wilson Florence Mrs
3922 1/2 Unger P S

3929 Harper R E
3931 Watson L E @

3935 Pine Wm @
3938 McKalson E L

3942 Jackson Andw @
3951 Henderson Dorothy Mrs

3965 Selby H C @

CALIFORNIA, WEST — From Henry w to Witherby, continuation of California

1907 Kohl C N
1917 Rickon F J H @

1931 Minor S H jr @
2005 Wotton A H @
2011 Kahn Saml

2017 Beetlestone R H @
2025 Vacant
2037 Leadbeater J G @

Wright intersects
2044 Collins V D Mrs @

2045 Shaw H I jr @
2049 Burba L W

Keinanen R W
2050 Bagby J W @

2051 Hartley M E Mrs @
2067 Archibald G S jr

2069 Taylor H J
2070 Graham H W @

2074 Muir W D @
2075 Hagbloom Benny

2077 McCormick Edw @
2086 McAlister H B Mrs @

2095 Caulfield C T
2097 Stamps S M Mrs

2098 Mack Chas @
Bandini intersects

2105 Wilke H P @
2111 Englehart J R @

2121 Baird A N @
2137 Martin D G @

2149 Dingman L H
Shoven A M @

2151 Keenan J G
2169 Dubowsky Oscar

2186 Davis R L @
2191 Stewart E T @

Couts intersects
CALLE BREVE (Pacific Beach)

— North from Balboa av, 1 w of Pico

CALLE CAMPANA (Pacific Beach)—North from 2300 Reed av to Calle Corva

4251 Couch A L
4253 Steinruck W A

4255 Shepler R D
4257 Hill S J

4259 Rutledge Clarence
4261 Nelson H C

4263 Brown L H
4265 Collins Marion Mrs

4267 Probst J W
4269 McDaniel Floyd

4271 Siskron J L
4273 Gee M L

4275 Parr J W
4277 Nicholas C D

4279 Underwood H H
4281 Brennen Richd

4283 Bentley F W
4285 Miller W M

4287 Dove L A
4289 Davenport R W

4301 Cioe H P
4302 Wilkinson C M

4303 Lopez Margt Mrs
4304 Spiewak Stanley

4305 Marlatt J A
4306 Damron Eleanor Mrs

4307 Beveridge H M
4308 Holford F J

4309 Russell P L
4310 Simpson Susan Mrs

4311 Phares M D
4312 Miller J A

4313 Calogne C P
4314 Ross E M Mrs

4314 Ross J A
4315 Durham H E

4316 Hovey E D
4317 Haas D E

COLUMBIA ST 1948

N
SS

ers

8

8

I

.

T

TE

COLUMBIA—Contd
 2043 Pierce R C
 2043 1/2 ΔSmithson Norman
 2044 Columbia Apartments
 Brown H A
 Brown J A
 Case C J
 Cole C V
 ΔDawson Kay
 ΔParks Arth ©
 ΔPeterson June M
 ΔWilliams E C
 2051 ΔDeSanti J L
 2053 ΔPinta Andw
 2054 ΔBono Jack ©
 2064 ΔSardina Guiseppi
 2065 ΔHebel R E ©
 2066 ΔCola Dominic
 2071 McPhee E S Mrs ©
 Hawthorn intersects
 2104 ΔBalistrem Peter
 ΔSardo Salvatore ©
 2118 ΔCanepa Lorenzo ©
 2121 ΔOritano Vincent ©
 2130 ΔAlioto A J ©
 2135 ΔBuompensiero Salvatore ©
 2136 ΔBregante A E ©
 2137 ΔClark F L
 2141 Goodwin D O
 2143 Canfield Wm
 2146 ΔBregante Cath Mrs ©
 ΔWeaver J B
 2154 ΔBusalacchi Jos ©
 2155 ΔBenner R P ©
 ΔBenner Wm
 ΔKronkright L V
 2165 ΔSheriis Aleck
 2168 ΔStagnaro P P ©
 Ivy intersects
 2201 ΔNigro Victor
 ΔOliveri Jas ©
 2203 Vacant
 2210 ΔBaptist Christian Center
 ΔItalian Baptist Mission
 ΔS D Baptist Mission So-
 ciety
 2215 ΔMelluse J E
 2219 ΔCharves Mary Mrs
 2230 Vacant
 2233 ΔJohnson W G
 2235 Brazil Ella Mrs
 2239 ΔContaste Raffaella Mrs
 2241 ΔCorrao Peter ©
 2243 ΔPuccio Peter
 2245 ΔCollini Jos ©
 2260 ΔFoster and Kleiser Co adv
 Juniper intersects
 2303 ΔSanfilippo Dominic ©
 2312 ΔLococo Pasquale ©
 2314 ΔNeill J H ©
 2316 Johnson W A
 2317 ΔGiacalone Thos ©
 2326 ΔParmigiani Beatrice Mrs
 2328 ΔParmigiani Rocco ©
 2333 ΔCrivello Saml ©
 2343 Vacant
 2345 ΔShort Addie M
 2348 ΔLococo John ©
 2349 ΔSmith O H
 2350 ΔDonnelly D J
 2351 ΔRichardson M C Mrs
 2353 ΔReed Helen Mrs
 2355 Galbraith J B
 2357 ΔLoftin Clifford
 2358 ΔSchlegel Mary R ©
 2363 ΔDiBona Mario
 2365 Pool W J
 Kaimla intersects
 2416 ΔNavarro Carlo ©
 2429 ΔPalmer E W ©
 2430 ΔGiacalone Saml ©
 2439 Vacant
 2441 ΔQuinci Paul
 2443 Russo Saml
 2455 George Robt
 ΔKelly Martha E ©

Tillman C G
 2465 ΔPlranio F P ©
 Laurel intersects
 2518 ΔCrivello Jos
 2519 ΔRose H W ©
 2520 ΔSanfilippo Peter ©
 2525 Farnasero R C Mrs ©
 2528 ΔMendola Sebastian
 2532 ΔMaugeri Stefano ©
 2540 ΔTenas S S ©
 2548 Consentino C J
 Maple intersects
 2601 Hogan J L
 2603 Usler J J
 2619 ΔKenyon Arth ©
 2620 Neuerburg Maude Mrs ©
 2621 ΔGossett R R
 2629 ΔLowry R E
 2630 ΔHart C H
 2636 ΔD'Arcy P J
 2638 ΔRyno L T Mrs
 2639 ΔHusband R F ©
 2640 ΔAkers R F
 2642 ΔBugenhagen H F
 2643 Lucas F S
 2653 Hoss J J
 2655 ΔHoss W A ©
 2657 Smith Coy
 2664 Ronan M D Mrs
 2666 ΔUrban K L
 2669 Remick J K
 Nutmeg intersects
 2703 ΔWebb Hazel I
 2705 ΔJones V M Mrs ©
 2715 ΔWalters G L Mrs ©
 2727 ΔPyles H K
 2729 ΔBarber J S W ©
 2730 ΔMiddlebrook H C Mrs ©
 2732 ΔIrving M T
 2737 Wickens J E
 2739 ΔDurkee A E
 2741 ΔDew G A
 2744 ΔMiddlebrook L R Mrs ©
 2753 ΔLangley C M
 ΔMurray J M
 ΔTraggard R M Mrs ©
 2756 ΔBushnell A N
 Jones W L ©
 2768 ΔGermo D H
 2773 ΔMcCarty T C
 Olive intersects
 2811 ΔCrivello Peter ©
 2816 ΔAllen Beatrice Mrs ©
 2818 LaChance F E
 2825 ΔBonham H L
 2830 ΔRubesh C L
 2840 ΔHowell S B Mrs ©
 2849 ΔButtmore W B ©
 2851 ΔToy C L
 2864 ΔTetlow Ida Mrs ©
 2869 ΔPickens Theo Jr
 ΔSecore Margt B ©
 Palm intersects
 2919 Rosiak F J
 2930 Pierce Wm ©
 2940 ΔElbb R V
 2950 ΔNichols M M Mrs
 2952 Webber J E
 2954 ΔDecker H L ©
 2955 ΔAvary Hugh
 ΔJulien J D ©
 ΔMcGinnis R D
 2964 ΔNorris J R ©
 2965 Webster M D Mrs
 Quince intersects
 3002 ΔJumper F F ©
 3018 ΔAron Pearl Mrs ©
 3040 ΔAtchison T N
 3062 Wilkerson L E
 3064 ΔHubbard W C
 3066 ΔBrunner M A Mrs
 3068 ΔWanger J L
 Redwood intersects
 3225 ΔCheek R C ©
 3242 ΔGoodwin H M ©
 3243 ΔZobrist R C ©
 Sassafras intersects

3319 ΔRounsefell S G ©
 3320 ΔAdams C C ©
 3321 ΔSulis Agatha L
 3330 ΔMiller R G ©
 3331 Wakeman S P
 3333 Moeller G E
 3343 ΔBunnell J W
 3344 ΔGuyton Omar ©
 3345 Albertson F D
 3347 ΔEldridge Riley ©
 3355 ΔCurtis C W
 3357 ΔTheobald C W
 3364 ΔMundo A L
 3366 ΔMcDonald N M
 3368 ΔThompson H W
 3370 ΔTopping M G Mrs ©
 3372 Sorensen C W
 Thorn intersects
 3445 ΔCanale J C ©
 3455 ΔCrivello Vincent ©
 3465 MacFarlan R A
 Upas intersects
 3504 Lattin J L
 ΔSteadman O J ©
 3515 ΔBoniface Frank
 3517 ΔSchwegel G W
 3521 Dye W R
 Woodman G G
 3523 ΔWoodis D N
 3525 ΔStarkey L E
 3528 ΔSmith R M ©
 3531 ΔWorner K W
 3535 ΔMacLennan Donald
 3538 ΔCrisci Jos ©
 3545 Wilson Louise F
 Vine intersects
 3615 ΔJenkins H T ©
 3621 ΔLichty Eug ©
 3627 ΔMiller L R
 3629 ΔSt Claire C H ©
 Chaimers intersects
 3645 ΔOsborn E H ©
 3652 Williams M E Mrs
 3655 ΔFrancis C N ©
 3661 Goldmann J G ©
 3663 Gorman Lynn
 3667 ΔWoods H S
 3668 ΔOberg A B ©
 3669 1/2 Lewis C A
 3670 ΔPires Joaquin ©
 3677 ΔHansen H B ©
 3678 Hunt Albt
 rear Vacant
 3680 ΔKlingenberg A J Mrs ©
 3685 DuMond E A
 3686 ΔEvans S C ©
 3687 ΔBischoff J N F
 3693 Mattock Glen
 3695 Ray D F
 Welborn begins
 Winder begins
 3707 ΔMilligan M D
 ΔWorthen H B ©
 3708 Peacock N A
 VanAntwerp J R
 3710 ΔWheeler O J
 3712 ΔWeede L T ©
 3719 Rosiak F J
 3720 ΔHansen A P ©
 3723 ΔStanton P A ©
 3730 Long C O
 3731 ΔWilliams T A
 3736 ΔBillings Florence
 3744 ΔStenger G W ©
 3745 ΔButtmer R J ©
 3746 ΔSchill W F
 3748 ΔGlock Fred
 Andrews intersects
COLUMBINE (East San Diego)
 —Southeast from 4270 Man-
 zanita dr
 2715 Todd Alice M
 2716 ΔGeisler P J ©
 2723 Hemphill J F Mrs ©
 Olive intersects

GLENWOOD DR 1948

COSGROVE, DUNN & HERSEY

GENERAL INSURANCE

FIRE — AUTOMOBILE — LIABILITY — COMPENSATION

506 San Diego Trust & Savings Building

530 Broadway

Franklin 9-1239

BOOKS CORPORATION 1040 Sixth Avenue

Goodwill Industries Your Discarded Clothing, etc. Gives Work to Aged and Handicapped Persons MYRON INSKO Exec. Sec. Tel. Fr. 7401 402 Fifth Ave.

- GLENMORE DRIVE—Contd 7525 Cooper M G 7528 Hicks Senolla 7529 Kellough Elbt 7532 Berglund Lester 7534 Higdon Jas 7536 Keswick Harold 7537 Johnson Callie S GLENMORE LANE (Linda Vista) 7409 Vogt H D 7411 Pegler Helen 7412 Thompson D K 7414 Leicht A O 7419 Bailey W G 7420 Smith C J 7427 Malone Ocle 7428 Wertz Clarence 7429 Schott Arth 7430 Rivera P L 7507 Hoffman A G 7511 Benjamin F H 7512 McGee Wm 7513 Smith G H 7514 Beckham Ellz 7515 Graham Erland 7517 Rowe R A 7519 Malsbury R W 7520 May Winfield 7521 Johnson M E 7522 Hays O R 7529 Kohl J G 7539 Milhulan Vivian 7531 Capshaw R L 7532 Ricketts E C 7537 Wash Geraldine 7538 Myers Chas 7539 Lewis Johnie 7540 Stewart E B 7542 Chilcolne L S

GLENWOOD (Pacific Beach)— Changed to Glendora

GLENWOOD DRIVE — West from 3570 Union 1625 Bluder E I 1631 McLouth Ada

- 1602 Hibbard W C 1605 TenBroek Madaline Mrs 1610 Fairman A T 1616 Daly J G 1624 Planondon Romeo 1626 Davis M E 1628 Barton E J 1630 Untney F M 1630 1/2 Porter M J 1632 Hagerbaumer G W 1633 Morgan Harry 1634 Riess P E 1636 Humphrey E T 1632 Johnson J H 1634 Holland F C 1635 Scott W R 1638 Brooks Quanetta V 1639 Pincen K C 1711 Reinemund B R 1712 Dummitte W D 1712 1/2 Parks C G 1713 Holloway E L Mrs 1716 Crawford Jac 1716 1/2 Catechson W B 1720 Hoffman Alht 1720 1/2 Canner W D 1722 Lakia M B Mrs 1722 1/2 Barnes S W 1724 Sainsbury L W 1724 1/2 Simons J M

- GLENWOOD (Linda Vista)—East from Linda Vista rd 1 s of Kramer 1822 Bates J W 1831 Butterfield Jacob 1832 Darland F M 1842 Hannum J F 1847 Camp D B 1849 Langston H E 1852 Hurlcha C J 1851 Allee F L 1822 Kinyon E M 1831 Daly L A 1832 McLaren A R 1841 Turner R A 1842 Young F R 1851 Millikan L J 1852 Abrams Wm 1862 Agastine D J 1871 Lee F P 1872 Jarowitz Harry 1881 Nelson R J 1882 Darr G L 1891 Ruczey Kdw 1892 Johnson A M

GLOBE (North San Diego) — North from 1 blk s of 3500 Bisbee

- GLORIA—South from Franklin av bet S 48th and S 49th 307 Hoy L E 325 Quince Vito 424 Panhorst C E

GOLDEN GATE DRIVE (Mission Cliffs) — East from 700 Madison av to Campus av 1111 Phelps L F Mrs 1202 Byerley Rita Mrs 1205 Hall S F Mrs 1211 Lydon R W 1219 Beale E W

Harvey rd begins 1229 Norwood C J 1236 Amsden Georgia C 1240 Stimmel H F 1245 Allen H H

- Maryland intersects 1403 Warden D H 1404 Newsom B L Mrs 1412 Ellis H E 1413 Allaw H H 1419 Papler R S 1420 Dobbs H J 1429 Allen Onelta 1430 Shankland B L 1433 Scribner G R 1433 Baker A S 1444 Courtright R E

Cleveland av ends 1521 Lake D L 1629 Brown J T 1638 Owen H S Campus av intersects

GOLDEN PARK AV (La Playa)—North from 1 blk s of 3300 Lucinda 820 Shropshire W B 845 Elliott M M Mrs 876 Small C A Harbor View dr intersects

GOLDFIELD—(Morena) North-east from George, 1 sw of Phoenix 1863 Newell W C 1809 Nolan P L 1819 Aguirre L S Mrs 1825 Piese A P 1827 Brencley Reginald 1837 Andersen H A

- 1834 Smith K H 1842 Hofmann Hchd 1847 Warner E J 1848 Logan V H 1853 Smith C A 1855 Fuller R G Ashton intersects 1911 Maillon E A Mrs 1914 Frank Alfd H 1919 DeLeon E W 1927 Dahl R R 1928 Benson J W 1936 Shelton M J 1942 Thurgood G N 1951 Hunt S J 1962 Wilmer Alfd 1957 Rowan Key 1967 Windsor A H Napier intersects

GOLDFINCH—North from 3050 Horton av bet Hawk and Falcon

- 2809 Mnyer D W 1136 Dean Jean 3205 Bown G A 3270 Haddock J C Mrs 3231 Leppart H C 3232 Kraus J C 3242 Henry Ogie Mrs 3254 Vattuone J B 3255 Oakley T B Thorn intersects Upas intersects

- 3411 Major W H 3421 Stevens W W 3428 Wakefield R R 3437 Larsen A C Mrs 3447 Pinnell R L 3447 Burdine S O 3451 Orrell F G 3457 Worden E S Hawk intersects

3520 Maguire J G 3740 Boyie R F 3748 Septh E K Mrs drsmkr Sutter intersects

- 3752 Barrett Irvin 3760 Daves H L 3764 Weeks J A 3769 Eriensborn O P 3775 Cavanaugh Julia A 3776 King Jackson 3781 McGee M S radio repr 3784 Updike L C Walton G M Mrs 3792 Rose David 3795 Arnold L E Mrs Brown H A chiropractor Bush intersects

3801 Mentie E L Mrs 3809 Bowen H M Mrs 3817 Sheldon Alice 3820 Ballam E W 3825 White T W 3831 Powell S J 3834 Cate D P Marsh J A

- 3837 Blerhower I B Mrs corsetiere 3838 Haas C W D Sherman C R 3842 Johnson R H 3901 Burkhard A V 3904 Nevitt C J 3907 Goldnamer S C 3910 Mears B C Woodward A B Mrs 3911 Dunning R L 3920 Griffin W G 3921 Hamilton E J 3934 Croucher R D 3936 Templeton W L Douglass intersects

3951 Barta J C gro 3952 Miles C D

Central Federal - Savings and - Loan Assn.

All ACCOUNTS INSURED UP TO \$5000.00

INDIA ST 1948

ego Trust & Savings Building

530 Broadway

Franklin 9-1239

INDIA—Contd

2144 Jones H M
2146 Joe & Geo Card Rooms
Drozdy Jos
2148 Drown G J
2150 Campos Benj
2157A Moorsteen Mfg Co furn mfrs

Ivy intersects

2202A Lucente P J
2206 Asaro Mary Mrs
2215A Hardy H J refrigerators
2220A DeBrito Abel
2230A Asaro A A
2240A Berardino Fortunato
2270A Reeves Max gas sta

Juniper intersects

2304A Canepa Fred
2306A Zolezzi John
2307A Imperial Dist Co liquors
2314 Zolezzi Angelo
2315A Price & Horton shtmtl wks
2316A Afoto John
2317A Lupini Victor baker,
2326A Cresci John
2328A Piranio Pietro
2329 Gould L F

Szalinski Jessie Mrs

2347 Corrao Thos
2349 Grivello Marie
2352A Denison Mattress Co.
2355A Henderson A L radios
Higgins J P auto repr
Lutz Carl outboard motors
Ortleib J M auto equip
2361 Motisi Antonio liquors
2367A Wallen A J drugs

Kalmia intersects

2400A City Dye Wks
2401A Hunsaker L S gas sta
2404A McLean H C Co real est
2415 Webb H J
2420A Cordileone Beneditto
2422 Balistreri John
2431 Grant J C auto Indry
2444A Castiglione Leonard
2446A Sardo Saml
2452A Sarnuto A J
2454 Brandes Shirley A
2458 Giordano Jos
2466 Luizzi J L

Laurel intersects

2501A Ghio Adeline M
2503A Robinson J W
2504 Lauritzen Ebba
2505 Curri S A
2507 Inman R M Mrs
2508 McCue D B
2509 Golden W H
2511 Norvell D L
2513A Eldredge A L
2517 Burchiel R E
2518A Fowler O F
2519 Kirby Attie H
2521A Dickson Robt
2523A Marzoll Irene N
2525A Bracken W J
2527A Ross J W jr
2528 Pauley Victor
2530 Lentz G H
2531 Irvine H F
2532A Curtis Victor
2540 Luizzi M L
2544 Canepa John
2548A Luizzi Natale
2552 Reid Anna G
2554 Sabatine Dominick
2558 Rausa Santo
2566A Faresman C B
2568A Haley H B

Maple intersects

2602A Ventrice Bert wldr
2615A Klimer P S
2622 Cardani Eug
Cardani J E

2624 DeNecochea Car... Mrs
2628 Everitt W E
2630A Moran J D
2632 Moore P O
2657A Hall F R
2659 Van Kampen Neal
2663A Kenyon V V Mrs

Nutmeg intersects

2701 Harris M S Mrs
Lutz Carl
2702A Watt P M
2702a Warner G L
2802b Worall A W
2706 Crowder S O
2708 Miller Norice
2710 Arnold J B
2718A Stromberg Carl
2720A Coop Amelia Mrs
2722A Chellis R J
2734A Stensland S C
2736A Crouthamel H R
2740 Burton Lena Mrs
2742A McNeil F J
2742 1/2 Bestick J R
2747A Horton E J
2760 Donovan J A
Jones J H

Olive intersects

2801A Barnes B I
2804 Gibbs A G
2805A Kniazeff A J
2815 Henning A T Mrs
2818A Haskins W F
2820 Collier F R
2828A Cicala Anna Mrs
2828 1/2 Souza A E
2834A McKenzie Paul
2836 Todd J R
2837A Fischer Geo
2839A Nelson Martha O
2840A Clarke H W gro
2840 1/2 Clarke H W
2842A Mace J W
2842 1/2 Bogart E D
2844A Allard J L
2848 Garbarino A M
2849A Rauscher E W
2850 Vacant
2860 Vacant
2867A Tarantino F S
2869A Randolph V E

Palm intersects

2902A Foss E V
2903A Erler T C
Larkin D M Mrs
2905A Grindl S D Mrs
2905 1/2 McDaniel T M
2907 Shaw R J
2909 Rigney L F
2915A Frontiera Vito
2920A Huber H O
2921 McClary K A
2921 1/2 Gantt A A
2923 Gabriel Peter
2923 1/2 Rhein Billz
2927 Robbins R L
2932A Aubert M A Mrs
2932 1/2 Hill Nana Z
McBride J I
2934 Meronk Frank
2936 Todd J M
2940 Mercurio A A
2940 1/2 Mercurio Mary Mrs
2842 Bolton Chas
Brown I N
2844 Marotta John
2945 Gorman E F
ASplinter C H
AStagg H W
2952 Burbidge P W
AFinnegan V B Mrs
rear Harris Martin
Morrison W R

2966A Canepa Paris
Isbelle F B
2966 1/2 Canepa John
Quince intersects

3002A Severe M O
3002 1/2 Foster J B
3004 Logan P O
3009A Silva Jose
3014 Campagna E T
3016 Huie T J
3016 1/2 Campagna R P
3020 Bay View Apartments
Allen M T Mrs
Gilley M T Mrs
Jacobson S A
Jelinski A P
Morris T K
Smith Bradley
Strange Bette F
Wanek Frank
White K P
3040 Tyler C W
3042 Chase C S
3042a Bruce Lelia Mrs
3044 Smith H B
Smith M A Mrs
3044a Sims R E
3044 1/2 Cushing W F
3046A Garber Wm
3048A Melin Eleanor R
3053A Dill C E
A Franzel W B
3054A Lewis L P Mrs
3056A Harvey R D gro
3060 Reed V H

Redwood intersects

3114A Averill C C
3116A McCracken Josephine Mrs
3124A McCracken P E
3129 Porter H R
3131 Porter H R delicatessen
3140A Whitney O L
3141 Goldl Isabel Mrs
APoucher Leland
3153A Zori Vince real est
3167 Boalich D M
Jensen Paul
3171A Ashburn D A gas sta
Spruce intersects
3222 Puterbaugh Geo
3232 Montgomery R M clo clnr
3252A Maines E B Mrs
3254 Budge Kath B
3256 Moffett W M
3258A Hopman J P
3260 Carter T H

Sassafras intersects

3265A Dudney R W clo clnr
3300A Alrmen's Hotel
Meers J S
Meers S H
3302A S D Insulation Co
3306 Wittman Pauline
3312 Bowers D A
3314A Milne T C
3316 Phillips E A
3318 Massey Mammye Mrs
3320 Potcate E L
3325 Lerner C L
ATuffley R L
3326 Conway J R
3328 Gron F A
3330A Brizendine Earl
3336A Landy & Mort plastic mfrs
3338 Gron P A shoe repr
3341 Merrill K V
3341 1/2 Hull R E
3343A Kruck E W
3343 1/2 Hanlin L E
3345 Christian G E
3347A Schicker G N

Thorn intersects

3460 Vacant
3460a Castellanos Louis
3460b McFarlane Rosie Mrs

NG

ES

ed

c.

to

d

KO

01

INDIA ST 1948

228 W. Washington St.

Tel.

3460d Peck F B
 3462 Schade V H
 3462½ Barnes J W
 3464 Green L W
 3466 El Francisco Apartments
 Brown L W jr
 Kukor Chas
 Pharis L H
 3468 Johnson A W
 3472 Grindstaff A A
 Upas intersects
 3472½ Pemberton L W
 3503½ Welch W E
 3505 Currier J H
 3507 Houghtaling L R
 3509 James M M Mrs
 3512½ Andrews T N ©
 3514 Leonard E G
 3519½ Lamoreaux P W ©
 3525½ Wilcox F A Mrs
 3527 Reehl W W
 3529½ Jamieson D N ©
 3536 Thaler Martin
 3537½ Hess L A ©
 3538½ DeShon Gilbert
 3540½ Holt R W ©
 3541½ Sinnott M R
 3544½ Rodgers R R ©
 3545½ Funk J J
 3547 Vacant
 3547½ Underwood W D
 3549½ McDonald Hugh jr
 3573 Smith J H
 Vine intersects
 Glenwood dr intersects
 Walnut av intersects
 3612½ Powell R C
 3619 Bryson R W ©
 3620 Woodhouse R L
 3625½ Miramontes L A
 Oakley T G
 Turnbull W O
 3632½ Atlas Trans & Stg Co
 3642 Baxter F W barber
 3645½ Greene E E
 Chalmers intersects
 3652½ Fitzgerald J M
 Gross Harold
 Hlyard Ruth
 Johnson G A
 McMinn Margt C
 Metzger C H
 Short J W
 Walker M L
 3661 Alger M S
 Black M L
 Einwerling M J
 Henning Genvieve M
 Landers R E
 Norris Willis
 3664½ Turpin G C
 3667 Pedrin Albt shoe repr
 3668½ Barr Dorothy
 Pound L L
 3670½ Sample V E real est
 3672 Mead S M clo clnrs
 3674 Rubberg G T
 3676½ Haley Linne Mrs gro
 3682 Wilson L R
 3684 Wordsworth Fred
 3688½ Montanvo C E
 3690 Kuhn W J
 3697½ Gomon W H liquors
 3698½ McPherson Susie Mrs
 Winder intersects
 3701½ Julian T N
 3702 Palomar Golf Park
 McClelland R H restr
 3711½ Boardman Kath Mrs
 Burns H T ©
 3719½ Aiello P M ©
 3731½ Larsen L A Mrs ©
 3735 McClelland R H
 3735½ Rymaza Frank
 3737½ DiGiovanni Modestino ra-
 dios

3739½ Ted's Studio of Beauty
 beauty shop
 741 Vacant
 3743 Reichart L R
 3745½ Shackelford Benj
 3745½ Richards R H
 3749 Chellieu D A
 3751½ Perry D H
 Andrews intersects
 3753 Tarr Frank photog
 3779½ Benner D M Mrs
 3780½ Tuft N A ©
 3792½ Schultz D J Mrs ©
 INDIANA--North from 1800 E
 Upas
 3503½ Burgster J B ©
 3514½ Inhofe A R ©
 3515 Burns J M Mrs
 3517 Lemon D M ©
 3524½ Foster H E Mrs ©
 3528½ Paxton Betty J
 3530 Hays Verna Mrs ©
 3532½ Gross D J Mrs
 3537½ Hulden L S
 3538½ Arnold Rosalie R ©
 3541½ Edson M B Mrs ©
 3544½ Clause Mel
 3546 Muncey H V
 3547½ Fisher C W Mrs
 3548½ Chandler B H Mrs
 3549½ Filippi F J jr
 3551 Brown J A Mrs
 3554½ Casebolt L B
 Fisk Mildred A
 McDonald Mary R
 Showalter Annie T
 3559½ Jones I L
 Naumann F J
 Nelson Bessie Mrs ©
 3602 DiBartolo Benny
 3604½ Baldan Anthony ©
 3606½ Devorraux H V
 3606½ Cash H H Mrs
 3608 Grimm J C
 3608½ Amarlin Robt
 3610½ Johnson S K
 3611½ Pettet J V ©
 3612½ Passmore G D
 3613½ Dunn A B Mrs ©
 3614½ Britton D M
 3616½ Batcher W H ©
 3621½ Cunningham J O ©
 3622½ Driver Justine Mrs ©
 3623 Vacant
 3624½ Drake M A
 3627½ Rickmeyer Clara Mrs ©
 3630 Ferrantelli Peter ©
 3633 Reeder E A
 Richard C B Mrs
 3634½ Bayles M E Mrs
 3636½ Culbertson Grace Mrs
 3638½ Burbeck J G Mrs
 3640½ Nichols Louise Mrs ©
 3641½ Johnson H C ©
 3642½ Cunningham L K
 3644½ Creswick H L ©
 3650 Francis C W
 3652 Gillett R G
 3653 Burnet P J ©
 3654 Birch C S
 3656½ Gehring N J
 Cypress av intersects
 3660½ Fischer Cecelia ©
 3662 Fletchal D O
 Forrest W J
 Kinman R J jr
 Noble W E
 Parr R E
 3665½ Simoneau Alphonse
 3669½ Gettys G V
 3670½ Adams T E
 3672½ Swank R J
 3680½ Avoyer Constantine ©
 3681½ Jordan J E ©
 3688 Lambert B M

3688½ Cyr C S
 3685½ Oliver F R
 3688½ VanWinkle L S
 3689½ DuPaul J B ©
 3690½ Edwards J R
 3692 Kane Agnes
 3694½ Cramer E J ©
 Pearson H C Mrs
 3695½ Shortridge C H ©
 3697½ Antonielli Nick ©
 3704½ Rumbutis Stanislaw ©
 3707 Crosby K W ©
 3710½ Franckins R M ©
 3712 Bryant P E
 Woodford N E
 3714 Cafferty F L
 Heffington F W
 3715½ Snell S W ©
 3716 Fisher C F
 3718½ Bluder A W
 3720½ Wickman E L ©
 3721 Peranski Zigmunt ©
 3729½ Baldwin Emma A ©
 3733 Doggett Eugenia Mrs ©
 INDIANAPOLIS (East San Diego)—Northeast from 4750 Laurel
 INEZ (La Playa)—West from 1050 Bow av
 3522 Patterson M L Mrs ©
 INGALLS (Mission Hills) — North from 1 blk s of 1300 Douglass
 3961 Donaldson J H
 3967½ Hunt H B
 3973 McClaugherty Kath S
 3978 Futrell H M
 Scofield Margt Mrs
 3979½ Over S M Mrs
 3987½ Bagda O R
 3988½ Lucas E M Mrs
 3994½ Starbeck S H ©
 Washington intersects
 4005½ Enfield F D
 4011½ Sumerlin H L
 4020½ Phelps Arth ©
 4021½ Hunter C R
 4024½ Pellman J G ©
 4027½ Shepard W O ©
 4028½ Harclerod M M Mrs ©
 4030 Winn J H
 4033½ Lawton T F ©
 Ft Stockton dr intersects
 4060 Paulman Alma
 4061½ Jennings Mary C ©
 4062 Greenleaf W L ©
 Gustafson Viola
 4068½ Martinsen C W
 4069½ Mengle J M Mrs ©
 4074½ Martinsen P E Mrs
 4076½ Boyles H M Mrs
 4082 Vacant
 4087½ Garrett T P ©
 4090½ Macfarlane I M Mrs
 W Lewis intersects
 4104½ Mills W S ©
 4112½ Mulligan Cath J ©
 4120½ Mitchell Austin ©
 4121½ McKeown C N ©
 4128½ Smith E R Mrs ©
 4129 Woodward Harry ©
 4133½ Snodgrass D W ©
 4140½ Ahring O F ©
 4141½ Langston Pauline
 4143½ O'Rourke M J Mrs
 4145 Miller E M Mrs
 4147½ Holston A E ©
 Montecito way intersects
 4151½ Kyle Wm
 4159 Haun H B ©
 4162 Bowersock E H ©
 4165 Kendall E F
 4167 Sweeney H F

KETTNER BLVD 1948

ON
ESS
rers
ng
ng
ed
ST.
TT
ATE
}

KETTNER BLVD—Contd
 3009ΔSmith J R ©
 3011ΔSwearingin Grace E ©
 3017 Hastings C F
 Stanley C F
 3017½ Turner R A
 3019ΔGordon W R ©
 3027 Dodson R A
 3028 Morgan V M Mrs
 3029 Lawson W L
 3030 Escallier R F
 3031 Eggley Frank
 3032 Baumer K L Mrs
 3033 House W J
 3034 Anaya E P
 3040 Vacant
 3041 Schwewe J B
 3042 Vacant
 3043 Vermilya J W
 3045 Smith D W
 Redwood intersects
 3105ΔKoehler Amelia Mrs ©
 3109 Rennels C L
 3111 Jaekel R F
 3113 Parker C W
 3125ΔMelching W F ©
 3135ΔSwitters Frada A lbr
 3140 Noakes D W real est
 ΔSwitters C W real est
 3146ΔAnderson E F ©
 Hoadley L B
 3148 Green C U
 3150 Stone L J
 3160 Doolin J L
 3161 Morgan W H
 3163 Dreylinger Milton
 3165 Gates V H
 3187ΔRoan A J ©
 Spruce intersects
 3205 Thompson J D gas sta
 3231ΔS D Seat Adv Co
 3237 Ulrich B E
 3239 Oglvie W D
 3241 Bates R G
 3242 Henson Edith T
 3243ΔBaum O J ©
 3251 Wong Stella H ©
 3253 Michael R J
 3255 Ballatore Batista
 3257 Copeland B B
 Sassafras intersects
 3338 Rathliff R S
 3340 Houston Ray
 3342ΔFrost A H ©
 3344 Burgees E T
 3346 Blake B E
 3348 Sutton Winifred M
 3370ΔSoares E C Mrs ©
 Thorn intersects
 3420ΔCoggshall A W pimbr
 3433ΔSwope Termita & Fungl
 Co
 3441 Ward W G
 3444ΔEdmonds LeRoy
 3452 Smith Virginia
 3455ΔTerada John
 3455½ΔPalmer F W
 3456ΔColeman W S radio repr
 3465 Stark Gloria L
 3466 Brown Carrie Mrs ©
 3467ΔRawlinson F H
 3469 Wendschuh Elsie
 3471 Keough W E
 3473 Lane W D
 Upas intersects
 3505 Naidig H W
 3507 Clark L M Mrs
 3509ΔJohnson J R
 3511ΔSinger Jos
 3513 Oleson R D
 3515 Eichenger J W
 3517ΔMcMurry R T
 3518ΔMaczko E F
 3521ΔSwanson Dorothy Mrs
 3523 Marsh Robt
 3527ΔCates W R
 3531ΔHuntington R L
 3533 Wood G W jr

3535ΔWalton C H
 3537 Blank Helen Mrs
 3539ΔMatthews H D
 3541 Davis H G
 Vine intersects
 3553 Mendoza Douglas
 3575ΔFire Dept Sta No 20
 Walnut av intersects
 3600ΔCentury Lbr & Mill Co
 3603 Emery G F
 3607ΔLyter H C
 3609ΔCausey C H
 3611 Filletti Eug restr
 3611a Butler Basil
 3611b Hogg H B
 3611cΔHogg H H ©
 3619 Mellan & Qualls pimbrs
 3631 OH Abr
 3637ΔMcMorrow Carrie Mrs ©
 Chalmers intersects
 3655ΔThiem A G ©
 3657 Western Union Telegraph
 Co plant
 3663ΔReynolds P A ©
 3663½ Williams T R
 3665 Vacant
 3667 Powell M R Mrs
 Taylor S L Mrs
 3667½ Jones W W
 3669 Knox N A Mrs
 3674ΔChappel E L serv sta
 3679 Taylor B E
 3681ΔLeckliter H W Mrs
 3683 Murray Eliz Mrs
 3684 McGregor Jas jr int dec
 3686 Vacant
 3694ΔScott M W aircraft in-
 struments
 3695ΔWhittington H J
 Wilder intersects
 3702 Ellis W L
 ΔFrancisco E H ©
 3707 Thompson J D ©
 3730ΔCropley W L
 3734 Walker R A shtmtlwrk
 3744ΔKoehl G J ©
 ΔLightening Mach Co
 3747ΔPalomar Lndy & Dry
 Clnrs
 Andrews intersects
 3765ΔKling I H
 3767 Stockman David
 3776 Durbin D F
 3776½ Holloway J H
 3778ΔArmstrong M A Mrs
 3779ΔMcCown B E ©
 3785ΔHalwick Lucille ©
 3794 Sims J M jr
 3796ΔNichols O F ©
 3797ΔPowler E W ©
 McKee intersects
 3802 Peterson H C
 3803ΔStullken W G ©
 3809ΔBaker G S ©
 3821ΔRice J D Mrs ©
 3831ΔFouts E L Mrs ©
 3833 Brosseau E A
 3833ΔSampson C A ©
 3841 Austin Verda M ©
 3844ΔMorse C F
 3847 Farrell F R
 3848ΔBullard Margt Mrs ©
 Pringle intersects
 3857ΔArmstrong Frank
 3859 Drenth P J
 3865ΔRay Hazel ©
KEW TERRACE — South of
 Nutmeg bet Teresita and
 Boundary
 2603 Cahill R E ©
 2604ΔTrelease J A ©
 2609ΔMarshall L E ©
 2610ΔMentzer R J ©
 2615ΔGriffin Fred ©
 2618ΔBurke W L ©
 2623ΔTilton Edw ©
 2624ΔCombs L A ©

**KEY WEST LANE (Frontier
 Homes Housing Project)**
 3201 Callia W M
 3202 Garvey D R
 3205 Roberts T H
 3206 McConnell M G
 3209 MacPherson D A
 3210 Williamson R J
 3213 Stephens F E
 3214 Wise V L
 3217 Boche K F
 3218 Kitchell T G
 3221 Paez Rudolph
 3222 Hall E F
**KING (North San Diego) —
 Southeast from 750 Lieta**
**KINGSLEY (Loma Portal) —
 Northwest from 2950 Rose-
 grans**
 3003ΔFaulkner H R ©
 3021ΔWright L A II ©
 3022ΔClower H C ©
 3030ΔZalkurtz H H ©
 3035 Warren W L ©
 3036ΔSample Wm jr ©
 Locust intersects
 3104ΔClements L V ©
 3111ΔCrossman H M ©
 3114ΔWaterbury E L Mrs ©
 3122 Kuhtz W A
 3130ΔTyzzler R N ©
 Evergreen intersects
 3212ΔHurlbut G G ©
 3226ΔHeissel E J Mrs ©
**KINGSTON COURT (Mission
 Beach) — East and w from
 Mission blvd, 3 n of Amuse-
 ment Center**
 714ΔChifford P G
 718ΔSmithwick R W ©
 721ΔDurrill L H Mrs ©
 726ΔHeberlein Augusta Mrs
 ©
 Mission blvd intersects
 809ΔKucher Wm ©
 810 Anders O U
 811 Cotton R B ©
 812ΔHensley F W
 814 Phelps J F
 816 DeWitt A C
 818 Keller H A
 Bayside walk intersects
**KITE—North from 1 blk s of
 1300 W Walnut av**
 3414ΔBarron Ben ©
 3418ΔFritzen Jacob ©
 3420ΔPerley W M ©
 3425ΔCalvert T F ©
 3430 Drake R L ©
 3447ΔLewis C E
 3450ΔCommings S A ©
 Walnut av intersects
 3511ΔWilliams C M ©
 3514ΔStanley H B ©
 3521ΔWebb E N ©
 3521½ΔSoto H K
 3522ΔFugh L R
 3524ΔPerkins J W ©
 3527ΔSovey F L
 3530ΔZolezzi S D ©
 3536ΔGregory W L ©
 Brookes av intersects
 Puterbaugh intersects
 3612ΔQuay R L ©
 3620ΔOfferdal Olaf ©
 3621ΔSears L F ©
 3625ΔWeigle E H ©
 3631ΔMullen J S ©
 3635ΔBishop H C ©
 3637ΔMcDonald D M ©
 3643ΔBarnes Ford ©
 Torrence intersects
 3647ΔGordon J A ©
 3651 Cook Dorothy M

PACIFIC HWY 1948

2934ΔNarmco Inc plastic products	4386ΔAcme Trailer Pk and Gro	1243ΔAnderson J M ⊙
3165ΔConsolidated Vultee Aircraft Corp (genl Administration Bldg)	Steck R J	1246ΔErnst J R ⊙
3302ΔConsolidated Vultee Aircraft Corp Plant No 1	White C L	1251ΔSarkiss Hrand ⊙
Thorn intersects	4432 Cherney E A real est	1254ΔArcher C A ⊙
3521ΔBoggs Bros Diner	ΔPacific Motel	1259ΔBoughton D C ⊙
3600ΔVinyard Fred Overhead Garage Doors	Trichak J P	Evarts intersects
3625ΔHageman G A gas sta	4474 Werner A J	1287 Walter A E ⊙
Bean begins	ΔWithers H J auto court	1275ΔMitchell C R ⊙
3733ΔChuck-Wagon Cafe	4480 Gaddy J W	1278ΔPedersen Jens ⊙
Harashty intersects	ΔMiller W H auto court	Fanuel intersects
3743ΔShell Oil Co gas sta	4570ΔSunset Auto & Trailer Court	1304ΔGrabowsky T A ⊙
3753 Peterson H H (work shop)	Bates G D trailers	1312ΔBurgess L V ⊙
Clayton intersects	Olson M R	1314ΔBurnette C M ⊙
3787ΔFrazer Oil Co	Thompson Wm	1320ΔNew J R ⊙
3803ΔPrall R K sporting gds	ΔUnited Mfg Co platers	1321 Cromer R E ⊙
3831 Ainsworth J H restr	ΔVitrified Products	1327ΔDurden Danl ⊙
3845 Safeway Stores gro	Watts E R	1330ΔHodges E D ⊙
Sutherland intersects	4594ΔSunset Auto Serv	Gresham intersects
3853 Stewart E P fish	Rosecrans intersects	1335ΔCrotty J R
3877ΔSouth Seas Cafe	ΔAztec Oil Co	1343ΔBrown Owen ⊙
3881 Van's Markets gro	4615ΔSandell T O heating contr	1346 Peterson L M
3885ΔS D Tile Co	4620 Flying Heart Serv gas sta	1356ΔInhofe L M ⊙
3895ΔSheffield E F vet	4640ΔEl Padre Motel	1361ΔFelix C A ⊙
Noell intersects	Wetenkamp A E	1364 Dailey L A Mrs ⊙
3911ΔMachinists Union (Internat'l Assn Silvergate Dist Lodge No 50)	4646ΔRogers S G restr ⊙	1368 Reed D O
ΔMachinists Union Local 389 (contract)	4650 Bruce Jeane A	1369ΔBell E R ⊙
ΔMachinists Union Local 685 (Aeronautical)	ΔMecca Motel	1375 Edwards Della
ΔMachinists Union Local 726 (Civil Service)	4841ΔOchoa R Z Mrs ⊙	ΔEdwards E C ⊙
ΔMachinists Union Local 1125 (Aeronautical)	4857ΔJones Walter	1376 Rundle F A ⊙
ΔMachinists Union Local 1370 (Automotive)	4881 Klein M P	1404ΔJones R H Mrs ⊙
3923ΔLittle R W jr ornamental plstrs	4883ΔHales G A	1405ΔWhaley C A ⊙
3925 Vacant	6303 Parker B A Mrs ⊙	1412ΔBeaty R G ⊙
3927 Vacant	6375ΔBraun M L gas sta	Haines intersects
3939ΔBray G H gas sta	6453ΔHanks R C kennels	1420 Hock A A ⊙
3955ΔDaley H A fruit pkr	6558 Wagstaff J C ⊙	1550 Wyett Willard
3957ΔPiggy Wiggy of San Diego	6596 Horton Albt	1552ΔScott F M
3959ΔBechaver Michl liquors	Kimball S B	1560ΔYork G W ⊙
3967ΔFreyler Frank gro	ΔRancho 101 Motel	Ingraham intersects
Grimsley Neil meats	6615ΔCheney L W auto court	Jewell intersects
Herzog Karl fruits	6636 Brown S S ⊙	1704ΔEhrendreich A F ⊙
3985ΔCravens Rush nursery	6646ΔGateway Motel	1714ΔDunmore C A ⊙
Wright intersects	Mills J T	1720ΔVanDelinder H W Rev
4005 Al's Auto Eat restr	Balboa av intersects	1730 Zander C J ⊙
Bandini intersects	6703ΔFrey C W gas sta	1731 Shelstead H R ⊙
4025ΔWright Refrig Serv	6704 Griff & Bill Mobile Serv	1744 Kirkpatrick C L ⊙
4047 Palmer D O bait and tackle	6711ΔSheldon's Cafe	1754 Hafey C H ⊙
4059 Kahn Saml baker	6712 Clute R L barber	1756 Woosley P J
4083 Bundschuh H H restr	Hughes Harry jr liquors	1760 Marco Frank ⊙
4086 Bundschuh H II doughnuts	PACIFIC BEACH DRIVE	1768ΔMcAllister T F ⊙
4095ΔCrossland W S restr	(Mission Beach)—West from 3997 Mission blvd	1778ΔBunch F L jr ⊙
Couts intersects	PACIFIC BEACH DRIVE	Kendall intersects
4105 Coleman H D watch repr	(Formerly Pacific Av) —East from 4100 Ocean blvd	1804 McLendon Wayland
4107 Vacant	735ΔMangum D H ⊙	1812 Garner T A ⊙
4137 Shackelford Benj restr	840 Vacant	1821 Ertle L S ⊙
4139 Beauty Rest Motel	911ΔSeiler W E ⊙	1822ΔDonsted R A ⊙
Pitzer W F	952ΔMitchell T T' ⊙	1823ΔSmith L A ⊙
4145 Gallant P S barber	1006ΔBriarfield Walter ⊙	1836ΔMattson C A ⊙
4149ΔBailey S J gas sta	1068 Hale E J ⊙	Sequoia intersects
Witherby intersects	1076ΔRanglos P D ⊙	1846 Radke A A ⊙
4205ΔConsolidated Vultee Plant No 2	1102ΔHunt D L ⊙	1854ΔKelley E Y
4306 Standard Sta	1111ΔZlac Rowing Club	1860ΔBrotherton T W
4350ΔAcme Pipe Co	1112 Hannah R M ⊙	1870ΔMorrison E S ⊙
4360ΔBuilding Material & Dump Truck division	1120 Bailey B J ⊙	1875 Weatherbis G T ⊙
No 36 AFL	1125ΔIngle H J ⊙	Lamont intersects
ΔTeamsters Local No 36	1128 Vacant	1913 Morris Alice Mrs ⊙
	1145ΔMcKinnon C D ⊙	1914 Santos J D
	1152ΔMiller J A ⊙	1916 Morris J S ⊙
	1160ΔLynch Howard ⊙	1928ΔLibben D F ⊙
	1163 Hess C H ⊙	
	1168ΔKueny F H ⊙	PAGEL PLACE (Encanto) — South from 6650 Benson av
	1173ΔDiamond N W ⊙	PALERMO DRIVE (Ocean Beach) — North from 2000 Chatsworth blvd
	1175 Diamond A E ⊙	2301ΔMaguire A J ⊙
	1205ΔSawyer J W ⊙	2225 Burdick C E
	1211 Brooks C E ⊙	2325 Gerhauser G F
	1212 Dean K J Mrs ⊙	2337ΔPercival J W
	1221ΔLaughlin J J ⊙	2345 Busse O J
	1229ΔAlbright E H ⊙	PALISADES ROAD (Kensington Heights) — Northwest from 4200 Ridgeway
	1235ΔMcQuaid L R ⊙	4104ΔBridge N H ⊙
		4110 Salmon B T
		4118ΔRavin O G ⊙

UPAS/COLUMBIA 1948

NCE - REAL ESTATE - LOANS • Franklin 4171 • 343 Spreckels Bldg.

ERS

nder

ning
vice

RS

City

Ave.
4147
14

sta
Ave.
1177

TH
ON

FE

ES

H
ITY

5
Blvd.

UPAS—Contd
 2616 Grant Robt ©
 2618 Rasmussen P J
 2620 Grant Robt jr
 2628 Graves J M ©
 Pershing av intersects
 2718 Matson J R ©
 2728 Beiden C L ©
 2738 Smith R C ©
 28th intersects
 2812 Schweizer G S
 2828 Weitzel J L
 2830 Landt H L ©
 2832 Gaskins P E ©
 2853 Kennally F C
 2873 Krull M D Mrs ©
 2875 Lindsey E M Mrs
 Granada av intersects
 29th intersects
 2905 Davies J H ©
 2911 Linnley C A ©
 2917 Pendleton C M ©
 2924 Harrington's Appliance
 Serv whs
 2925 Marshall C V Mrs ©
 Dale intersects
 2959 Dougherty A M gas sta
 2965 Mello Cream Do Nut Co
 2969 Upas Food Store
 2975 Saleski Jos
 Saleski Martha Mrs
 beauty shop
 2975 1/2 Barnett V C
 2983 Vacant
 30th intersects
 3022 Houllhan Margt pet shop
 3025 Skelley T L
 3028 Engel H J restr
 Ray intersects
 3035 Bandy H F
 3036 Stevenson W R gas sta
 3040 Skelley T L auto repr
 Grim av intersects
 3065 Taylor P H ©
 3074 Thompson J A
 3075 Hall Estelle ©
 31st intersects
 3108 Smith W G
 3114 Thomas S J
 3115 Brady M M Mrs ©
 3127 Faust A E Mrs ©
 3128 Nunneley N D Mrs
 Herman av intersects
 3162 Lauritzen I L ©
 3162 1/2 Stewart H R Mrs
 3174 Matthews J O ©
 32d intersects
 3215 Logan F E
 3218 Wilson R C
 3224 Barry R L ©
 3231 Conley F N
 Bancroft intersects
 3254 Barnhart F G ©
 3271 Clark J M Mrs ©
 3274 Dowd H S Mrs ©
 33d intersects
 3305 Kaplan J J ©
 3316 Williams Leslie ©
 3317 Nash C G ©
 3324 Nicholson R R ©
 3325 Henderson Audeen ©
 3344 Haynes L A ©
 Felton intersects
 3376 Preibisius L J ©
 3380 Varney L E J ©
 3386 Moore E M ©
 Boundary intersects
 UPAS, WEST — West from
 3400 1st av
 102 Hoffman F H
 104 Murphy W H
 106 Joseph Warren
 108 Patz F E
 120 Murray G J
 122 Ford L L
 124 Peterson H W
 126 Gagnon Omer
 142 Auchmutey W E

144 Costello L P
 146 Furer C S
 148 Kerth A H ©
 Front intersects
 Albatross intersects
 336 Johnson C M ©
 410 White W D ©
 702 Gould L H
 716 Miller S Q A
 724 Salyers D H
 726 Holloway L R Mrs
 728 Turner Lyie
 729 Lantz C E
 730 Ward M E Mrs
 732 Miller C G
 741 VanKeuretn J O ©
 753 Lam R W ©
 807 Chambers H C ©
 810 Goodrich M D ©
 817 Wolcott E W ©
 820 Kinnie L O ©
 845 Razzeto Chas ©
 850 Medina J A ©
 Goldfinch intersects
 Hawk intersects
 Union intersects
 1315 Carl R H ©
 1506 Johanson Evelyn H ©
 1508 Gentry P R E Mrs
 1510 Keller A E
 1512 Vogel E R
 Columbia intersects
 India intersects
 UPLAND (Encanto) — East
 from 1600 60th
 6038 Qualls P J ©
 UPSHUR (La Playa) — West
 from 1050 Shaffer, 2 e of
 Rosscrans
 2905 Nash C W ©
 2911 Blackford C H ©
 2919 Swiler J C ©
 2927 Luz Jose ©
 2933 Machado Frank repr shop
 2936 DeMoris S M Mrs
 3003 Gundersen J A appl
 3011 Fontes E P
 3014 Murphy R W
 3016 Epler R S
 3018 Gilliam M N
 3020 Vacant
 3022 Chamberlin C E
 3024 Scanlon G W
 3026 Harris G W
 Armada ter ends
 UPSHUR DR (Navy Defense
 Housing Unit No 2) — North-
 west from 3224 Barnett av
 2602 Houtz L F
 2604 Cammack E M
 2606 Emley J H
 2608 Breece E J
 2612 Neltsch A R
 2614 McGowan J H
 2616 Vacant
 2618 Eimer C E
 2622 Baughn E J
 2624 Arthur J G
 2626 Darr C H
 2628 Todd T L
 2701 Monoghan V E
 2702 Head B C
 2703 Hearn P A
 2704 Vacant
 2706 Smith C R
 2707 Talon Sol
 2708 Peterson J E
 2709 Cothron L L
 2711 Stout R D
 2712 Inscore C W
 2714 Holmgren M C
 2715 Wright G E
 2716 Lear C L
 2717 Svenningsen A R
 2718 Messina J M
 2719 Cruger Eliz Mrs

2721 Sims W M
 2722 Sinquefield J B
 2723 Daniel H W
 2724 Maloney A B
 2725 Burham D E
 2726 Kirkpatrick E L
 2727 Gregg R E
 2728 Swapp W H
 2731 O'Brien J P
 2732 Andersen H M
 2733 Ray R C
 2734 Davies D J
 2735 Heaton F H
 2736 Stringer J D
 2737 Draw H E
 2738 Bryan E P
 2741 Peters Everett
 2742 Ward S W
 2743 Wild Raymond
 2744 Townsend H E
 2745 Ward W N
 2746 Haas Alvy
 2747 Trummer Harold
 2748 Corbett R J
 2751 Haggl D E
 2753 Konopa F J
 2754 Humphrey G E
 2755 Lemieux C H
 2756 Turner J L
 2757 Jolly T R
 2758 Press W T
 2761 Vacant
 2762 Lamb L L
 2763 Nagengast C M
 2764 Henebry T H
 2765 Newman J T
 Penny W J
 2766 Van De Moore M J
 2767 Davls G R
 2768 Monasterolo L F
 2772 LaMattey J J
 2774 Hammett O A
 2776 Spencer Chas
 2778 Hoppe K E
 2782 Schutt J R
 2784 Matthes C J
 2786 Avery G F
 2788 Geslewski Emil
 2792 Gurley J H
 2794 Wilkison J P
 2796 McMullen S A
 2798 Welch M D Mrs
 UPTON COURT (Linda Vista)
 —West from Ulric, 2 n of
 Fulton
 6801 Austin R G
 6802 Davis O L
 6811 Buffington R F
 6812 Peacock J P
 6821 Caseres Daisy
 6822 Speulda R L
 6831 Stevens K E
 6832 Pierce W K
 URBAN AV—East from Ellz-
 abeth, 1 s of Ocean View blvd
 UTAH (University Heights) —
 North from 2850 E Upas
 3404 Earl Virginia Mrs
 3411 Simpson H W
 3412 Denison Kath Mrs ©
 3419 Hatalson J W ©
 rear Tober B H
 3422 Brogle J P ©
 3429 Vacant
 3430 Gruebele J G ©
 3436 Friednash B A Mrs
 3437 Zierke E A ©
 3443 Hansen W L
 3446 Maguire F H ©
 Myrtle av intersects
 3501 White C M ©
 3502 Cass H W ©
 3511 Shell G R ©
 3512 Moskowitz Max ©
 3519 Krebs Kath ©
 3520 Botkin C A Mrs ©

VINE ST 1948

State and D St.

Telephone Main 6141

3. E OR ING 6 JGK) n Ave. n ire ny re ve.

VICTORY—Contd
 3515 Bush Phyllis Mrs
 3516 Rowe Mary
 3517 Glinke B E
 Storck Marcella
 3518 Landers R L
 3519 Bledsoe C M
 Howell J E
 3521 Cochran C H
 3522 Cox Kath
 3523 Colver L C Jr
 3524 Boutell Minnie Mrs
 3525 Reid H R
 3526 Stein C W
 3527 Gibson W A
 3528 Engelbrecht L C
 Leighton C F
 3529 Lockhart J H
 Lockhart Nettie J
 3531 Loftis J M
 3532 Eckenrod K T
 3534 White M E
 3536 Murphy Chas
 3538 Cale R G
 3541 Lsares J L
 3542 Rung A L
 3543 Fields J J
 3544 Gomes P G
 3545 Spohn P W
 3546 Knox R L
 3547 Dyess E M
 3548 Haselden W A
 3552 Montoya E A
 Waner R M
 3554 Boyd D W
 3556 Prentiss Herbt
 Snyder J T
 3558 Castle M B
 Parson Beatrice
 3561 Robinson E S
 3562 DeWall B H
 DeWall Nona M
 3563 LaMantain C R
 3564 Hobbs R E
 3565 Pattengill P N
 3566 Hodges H H
 3567 Simmons R W
 3568 Sulser W W
 3572 Musjard Grace
 3574 Daniel P A
 3576 Pohlman Chas
 3578 England J H
 4543 Erwin R J

VIELLE COURT (Linda Vista)
 — West from Seldon 1 n of
 Linda Vista rd
 6202 Finch P H
 6203 Billing Mary E
 6208 Mack L P
 6209 Stradley B W
 6212 Smith Hazel
 6221 Prudhomme L P
 6227 Smittle Fred
 6232 Garrett Lottie V
 6233 Knight Dolores
 6236 Thurman Wm
 6237 Cornell D N
 6240 Fortuna F J
 6243 Harmon H
 Harmon N K
 6244 Lundeen E B
 6247 Poyner F C
 6250 Urias Bruno
 6253 Steinberg Peter

VIEW AV (La Jolla) — North
 from 1200 Bird Rock av
 VIEW POINT DRIVE — North
 from 2050 Columbia

VIGO DRIVE (Loma Portal)—
 Southeast from intersection of
 Madrid Dr and Alamo Dr
 6648 Δ Jobe R L ©
 Owen M E

VIKING WAY (La Jolla) —
 North from 1850 Torrey Pines
 rd to Newport ter
 1802 Knoepp M H
 Thorsen Jules ©
 1821 Best Theo
 1856 Δ Hutchinson C S Mrs
 1857 Δ Wier J L ©
 1874 Δ Shea M N Mrs ©
 1878 Δ Schrider P F ©
 1881 Δ Breder S C ©
 1888 Foster E J

VILLA DRIVE (Loma Portal)
 —North from 2100 Chatsworth
 Blvd

VILLA TERRACE — North
 from 2600 E Upas

3420 Δ Shelton G C ©
 3424 Δ Bartlett N R
 3428 Δ Bennett W J ©
 3433 Δ Connery E M Mrs ©
 3439 Wilson C O
 3446 Δ Overcash Frank ©
 3447 Δ Segal Walter ©

Myrtle av intersects
 3504 Monson O L
 3512 Δ Hall W J ©
 3513 Carson W P
 3521 Δ Berger F J
 3522 Δ Seaton J L L ©
 3527 Δ Mattison G A ©
 3535 Δ Coble R E ©
 3536 Δ Truitt L C Mrs ©
 3540 Δ Knotts Jos ©
 3542 Δ Naumann E M Mrs
 3542d Δ Holt Sadie Mrs
 3544 Δ Kadillac J A ©
 3545 Δ Beebe Carr ©
 3546 Δ Stone W J
 3551 Δ Robinson L B ©
 3552 Schrader W A
 3559 Δ Neale C E ©
 3567 Δ Hoffman A J ©
 3568 Vacant
 3576 Δ Leinbaugh E W ©
 3584 Δ Ghio E A ©
 3585 Δ Heatherly B A Mrs ©
 3593 Δ Reed C L ©

Dwight intersects
 3602 Δ De Los Cobos O C ©
 3603 Δ Pratt H A
 3611 Park R H ©
 3612 Δ Hicks M C
 3617 Δ O'Neill E G ©
 3620 Δ Henke H C ©
 3623 Δ Beck C G
 3625 Junghans B E Mrs
 3626 MacDonal Mildred
 Stephenson B C Mrs
 3626 1/2 Vacant
 3628 Prendergast L L
 3629 Δ Stewart Ross ©
 3630 Δ Evans H W
 3635 Δ Pierce J R ©
 3636 Δ Hlnk H D ©
 3639 Δ Bastian B H ©
 3644 Δ O'Connor Jack ©
 3645 Δ Easton H M
 3650 Δ Learnard N O ©
 3655 Δ Allen W G ©
 3660 Pischochi J L
 3661 Δ Hiller E J ©
 3662 Δ Devich N R ©
 3664 Rogers F W
 3665 Bryans J E Jr ©
 3667 Δ Bryans W J ©
 3670 Vacant
 3674 Vacant
 3675 Δ Row R C ©
 3676 Vacant
 3693 Δ Bailey Lela E ©
 3694 Δ Miles R S ©

Landis intersects

3704 Δ Deem Margt Mrs ©
 3714 Δ Stock W J ©
 3714 1/2 Parker E D
 3715 Δ Wehn Eric ©
 3719 Δ Booth Alberta Mrs ©
 3720 Δ Bales E A ©
 3725 Δ Perry C F
 3730 Δ VanDort Thos
 3735 Brennecke Minnie Mrs
 3736 Δ Zeller P A
 3738 Stahlfeld Anna Mrs
 rear O'Brien G J
 3745 Δ Clark J E
 Δ Klidder M T ©
 3746 Rush E T
 3748 Hawkins C O
 3750 Burnett J D
 3751 Δ Newton E R ©
 3752 Δ Lucke L E ©
 3761 Leff Jos ©
 3762 Δ Shockley F I
 3764 Δ Dyche J Vivian
 3766 Δ McCown R H L
 3787 Δ Gault W W ©
 3768 Peeler S E Mrs
 3770 Δ Perkins L C
 Δ Steele A M bldg contr
 3772 Jackson Huey
 3775 Δ Grant A G ©
 3778 Jordan H E ©
 3783 Δ Freeberg O E ©
 3784 Switzer C L Mrs
 3785 Δ Batten C E
 3788 Brown J F
 3794 Δ Perkins R E ©
 Wightman intersects
 3806 Δ Cummings G G Jr
 3808 Hopton Bessie Mrs
 3810 Loper G L
 3811 Chakarun Nichl
 3812 Δ Cunningham Anna Mrs
 3814 Δ Smith P C ©
 rear Lyman John
 3815 Δ Solbus A J
 3817 Δ Cupples Z C
 3819 Δ Tucker S C
 3820 Bryne Lenora K ©
 3822 Δ Gerzema F D
 3829 McDuffey B M
 3830 Δ Wilson H A ©
 3840 Δ Varenhorst Frank
 University av intersects

VINCENTE WAY (La Jolla)—
 East from La Jolla Blvd, 2 s
 of Palomar
 104 Δ Nagel K C ©
 405 Δ Muehling C A ©
 411 Bunch J V
 412 Δ Buelman W L ©
 419 Smith J F ©
 420 Brown E R ©
 427 Δ Floyd C E ©
 436 Δ Roginson R O ©
 531 Δ Hayes A J ©

VINE — West from 3550 Union
 1405 Δ Wade Henry ©
 1405 1/2 Moore Mae
 1412 Δ Zolezzi Angelo ©
 1417 Δ Vinyard F A ©
 1420 Δ Hermes W H ©
 1421 Δ McKinney J H ©
 1430 Δ Clark R W ©
 1448 Δ Wells M H ©
 State intersects
 1501 Δ Muehleisen Adolph ©
 1518 Δ Saville L M Mrs ©
 1524 Δ Barrows Anna Mrs
 Columbia intersects
 1611 Δ Hyde M J ©
 Prescott G R Mrs ©
 1621 Δ Gable J G
 1623 Δ Barnov Harold
 1629 Tenney C V

India intersects

WALNUT AVE W 1948

1507 Lubitch Harriet M
 1509ΔOberheu A H
 1511ΔFoster N B
 1512ΔLee C T ⊙
 1519 Button M H ⊙
 1516ΔBriggs C W C Mrs ⊙
 1617 Wood J A Mrs ⊙
 1621 Louissan W A
 1628 Engelage G H
 1628ΔLentier Hans ⊙
 1627 Louissan Apartments
 ΔLawrence E M
 1629ΔBlevins F L
 1631ΔSheriell D P
 1703ΔMyers Glenn ⊙
 1709ΔDavis H M ⊙
 1711 DeMarce V V
 1717 Trevennen John jr

WALTON PLACE — East from Ohio bet Monroe and Madison avs

3057 Schrick C F
 3060ΔFiedler J E ⊙
 3061ΔLatham Ruby Mrs
 3064ΔEimes C F ⊙
 3069 Lang Zelma Mrs ⊙
 3070 Brockmeyer E F ⊙
 3074 Borneman E A
 3076ΔHenderson E L ⊙
 3078ΔBarron Monel nurse
 3080 Treece Henry
 3082ΔHadding Robt
 3084 Walton Place Court
 Henderson R B Mrs
 3086 Manson C A
 3088 Allison T J

WARD ROAD (Normal Heights) — To Camp Kearney via Murphy Canyon — East from Cherokee av to Madison av

3716 Erwin C B ⊙
 3717 Hearst C J ⊙
 3720ΔBennett Isabell Mrs ⊙
 3728 Haynes A G Mrs ⊙
 3736ΔBraly M C Mrs ⊙
 3745ΔEmmett G E ⊙
 3751 Dye G H ⊙
 3752 Colson F C ⊙
 3759ΔRumsch Meta Mrs
 3760ΔDonner M A Mrs ⊙
 3767ΔHootman F E ⊙
 ΔUnderwood Eva Mrs
 3768 Brown H A Mrs
 3773ΔCramer L H ⊙
 3778ΔHamman O M
 3786 Sowers Truman L

3816ΔCook J B ⊙
 3818 Grillot John
 cor Mission Valley rdΔDaley
 Corp paving contr

WARNER (La Playa) — West from Silvergate av

3624ΔSchwartz E J ⊙
 3655 Vacant
 3658 Bennett Laurence ⊙
 3705ΔD'Atri E H ⊙
 3710ΔMaw R L
 3730 Vacant
 3741ΔBryant N M Mrs ⊙
 3753ΔHowes J N ⊙
 3761ΔCarr L W jr
 ΔHolliday C A ⊙

WARRINGTON (Ocean Beach) — Northeast from Wildwood rd, 1 w of 1700 Chatsworth blvd and ne of 3800 Tennyson

1786ΔThompson Gordon ⊙
 2120ΔChadwick R W ⊙
 2138 Vacant
 2144ΔRowe H T ⊙

WASHINGTON (Mission Hills)

—East from 4000 1st av
 100ΔAndres A E restr
 102ΔKinne F C clo cinr
 105ΔMission Dry Clnrs
 108ΔGoetz Carl
 108ΔLaFrance Productions
 photog
 109ΔDuBois H N ⊙
 111 Stauffer A W auto supp
 117 Clark H T
 119ΔFlippin Warren
 120ΔChancellor Vivian L ⊙
 121 Stauffer E D ⊙
 123 Hanks O L
 126ΔCorder Myrtle Mrs
 128ΔCollins Eula Mrs ⊙
 130 Wagner D H
 132ΔLas Dos Palmas Apart-
 ments
 ΔAnderson W G
 137ΔChifford J W gas sta
 Stauffer E D auto repr
 144ΔMitchell C G real est
 180ΔWalraven Vion gas sta
 224 Christian & Missionary
 Alliance Ch
 3d av intersects
 302 Stalmer Reg autos
 305ΔStalmer Reg autos
 330ΔCasa de 'Oro Apartments
 Borthwick M A Mrs
 Cooper Jean I
 Francis F G
 ΔHaas C R
 Kaufman S H Mrs
 Stanford Agnes C
 Stewart Nell I
 Strain E D Mrs
 Toomey Hannah Mrs
 Wheeler M P
 Wood L M Mrs
 342ΔMichan I W florist
 395ΔPope G H gas sta
 4th av intersects
 412ΔHillcrest Clinical Group
 Ornstein Walter phys
 418 Franklin Frances
 441 Erickson E A gas sta
 447ΔEvans Wm
 5th av intersects
 Hillcrest dr begins
 515 Hillcrest Bowl
 6th av intersects
 6th av extension intersects
 602ΔLutes C M cbr mkr
 630 Cornelius Apartments
 632ΔPre-Mixed Concrete Co
 721 Basso R E
 Harris R E
 836 Olson Bessie
 9th av intersects
 920ΔBurkholder J C
 1450ΔBeason S M ⊙
 1750ΔRhodes F E Mrs
 2473 Alt K S

WASHINGTON, WEST (Mission Hills) — West from 4000 1st av

108ΔCal & Joe Motor Sls used
 cars
 110ΔLehrer Vera Mrs gro
 112ΔNussbaumer A E drugs
 114ΔBurke Juleann gift shop
 116 Astra Tile Co contrs
 118 Maxfield Almedia A
 beauty shop
 119ΔMartin J H exterminator
 121ΔKleen M C Indy
 127ΔMoffett R D artist
 129ΔHillcrest Book Shop
 131ΔGenns W T
 138 Vacant
 140 Foster C G
 142ΔWest Washington Mkt
 Front intersects

204ΔCaldwell H F Mrs
 ΔCaldwell H F Realty
 207 Greenwood W E restr
 209 Washington Apartments
 Einhaus F H
 Palumbo D E
 Whitmore Nettie S
 211ΔStewart R H reweaving
 215 Shafer Ed
 220 Vacant
 222 Two-Twenty-Two Club
 228ΔShafer Ed plmbr
 230ΔJohnson H W
 ΔRicheson J G
 Salva N F
 ΔSoper H C
 231 Hansen E H jr
 232 Vacant
 234 Vacant
 239ΔCasey O S Mrs ⊙
 245ΔStewart W W V ⊙
 246ΔNat's Auto Paint Shop
 Albatross intersects
 308ΔEckery's Auto Serv
 Loshenkohl John auto
 repr
 315ΔCunningham G F
 317 Colby N M Mrs ⊙
 320 Stewart E A
 324ΔBall H A
 Duncan J J
 ΔKennedy D L ⊙
 325ΔBaker R H ⊙
 329ΔBurnell W F ⊙
 330 Markey M M Mrs
 333ΔEngelhorn E M
 334ΔSchwartz Eliza Mrs
 Steinmetz Nicholas
 335 Hunter H J ⊙
 343 Vacant
 345ΔHoltmyer J F ⊙
 347 Broyles Ella Mrs
 349 Mumper Alice I
 Brant intersects
 401ΔGregory Gran auto repr
 405ΔSimmons D S
 407ΔRizzo Lewis ⊙
 417ΔDell'Acqua M J ⊙
 419ΔHanggi H L ⊙
 422 Pee Wee Cafe
 425ΔKemp E W ⊙
 440 Vacant
 441ΔTaylor E R Mrs ⊙
 503 Bennett F L ⊙
 510ΔAntoniceilli Pasquale
 nursery
 515ΔOhm I F
 Dove intersects
 603 Vacant
 609ΔRiggs Harold
 610ΔGood Humor Ice Cream
 Co
 620 Theel F O
 624ΔEdwards F H
 630 Cornelius Apartments
 ΔBergen J J Rev
 Clarkson Ova Mrs
 Emerson L D
 ΔKness Irene M
 ΔMiller M C Mrs
 Russell R E Mrs
 Sharp P C Mrs
 Sparks J E
 631 Hall H O gas sta
 Eagle intersects
 704ΔCampbell J P gas sta
 720ΔWalker Bros used cars
 729ΔDorman's auto supp,
 Falcon intersects
 800ΔBocardo R B liquors
 802 Sullivan E E Mrs shoe
 repr
 804ΔRadio Doctors
 805 Falcon Liquor Store
 806ΔHenderson E E infants'
 clo
 808ΔYoung M E hdw

OVERHEAD

KETTNER BLVD 1943

KETTNER BLVD—Contd

3348 Hess Edw
 3370ΔDuggins Russell
 Soares E C Mrs
 Thorn intersects

3444 Blan L W
 3452 Gilkey H H
 3455 Clark H W
 3455½ Irwin F W
 3465ΔCripe K B Mrs
 3466 Hukill R L
 3467 Hall Everett
 3469ΔThayer Rex
 3471 Stone Richd
 3473ΔBoyd F H

Upas intersects

3505ΔChamberlin E J
 3507 Monise F S
 3509ΔBeavers J T
 3511ΔKnutson N O
 3513 Olson Donald
 3515 Eichenger J W
 3517ΔMcGrew D R
 3519ΔMaczko E F
 3521 Hansen M A
 3523 Fleming R F
 Papke A H
 3527 Watson F C
 3531ΔRoberts C M
 3533 Clapper Maurice
 3535 Walton C H
 3537ΔMcClarren W T
 3539ΔBoswell J W
 3541 Williams W L

Vine intersects

3550 Solomon Jacob gas sta
 3552ΔThompson H L
 3575 City Fire Dept Sta No 20
 Walnut av intersects

3600ΔCentury Lbr & Mill Co
 3603 Watts E W
 3605 Benoit R S
 3607 Elliott D E
 3609 Richey I P
 3611ΔDavis R C restr
 3611a Gallagher R E
 3611b Fellette Eug
 3619 Sparkman C L
 rearΔTerry G F
 3621 Collins R H
 3637ΔMcMorrow Carrie Mrs
 Chalmers intersects

3663ΔReynolds P A
 3663½ Maicik A T
 3665 Vacant
 3667 Taylor W E
 3667½ΔHolbrook N F
 3669 McDonald M V
 3674 Vacant
 3679 Whittley Melvin
 3681 Koontz J E
 3683 Murray Ediz Mrs
 3695ΔRichards J A

Winder intersects

3702 Francisco B E Mrs
 ΔFrancisco E H
 3730ΔPeterson L T Mrs
 3744 Koehl G J jr
 ΔKoehl M J Mrs
 ΔLightening Machine Co
 3747ΔPalomar Lndy & Dry Clnr
 Andrews intersects

3765 Redlein R J
 3767 Varney Wm
 3776 Bloch M A
 3776½ Gittings D L
 3778ΔSylvester M A Mrs
 3779ΔSilence T E
 3785ΔHalwick Lucille
 3794ΔBradford R C
 3796 Metcalf Jesse
 3797ΔFowler E W
 McKee intersects

3802 McLerran G W
 3803 Sims Irene Mrs
 3809 Walker Ella Mrs
 3821ΔGalvin H M
 3831 Fitzgerald J B

ΔFouts E L Mrs
 3838ΔSpangler A D
 3841 Peck G W
 3844ΔSchulenburg Richd
 3847 Farrell F R
 3848 Moats L B Mrs
 Pringle intersects

3857ΔArmstrong J F
 3859ΔLe Claire E W
 3865ΔArthur L D
 Ray Roy

KING (North San Diego) —
 Southeast from 750 Lieta

KINGSLEY (Loma Portal) —
 Northwest from 2950 Rose-
 crans

3003ΔFaulkner H R
 3021ΔConklin C R
 3022ΔClower H C
 3030 Zalkurtz H H
 3035ΔMillar R K
 3036 Sample Wm jr
 Locust intersects

3104 Boo C A
 3111 James M A Mrs
 3114ΔWaterbury J A
 3121ΔCartwright A B
 3122 Reese G A
 3130ΔTaylor T J
 Evergreen intersects

3212ΔHuriburt G G
 3226ΔHelssel Ellen Mrs
 Chatsworth bld intersects

KINGSTOWN COURT (Mis-
 sion Beach)—East and w from
 Mission blvd, S n of Amuse-
 ment Center

714 Vacant
 718 Coats R M
 721ΔDurrill J K
 726 Templeman P U
 Mission bld intersects

809 McKeithen Otis
 rear Deering R W
 810 Kirk W E
 811ΔTaggart C E
 812 Rockwell Fred
 814 Pritchett A A
 816 Mullins Harley
 818 Silberhorn Wallace
 Bayside walk intersects

KITE — North from 1 blk s of
 1300 W Walnut av

3414ΔCooper V C
 3416 Page J M jr
 3420ΔPerley Wm
 3425ΔCalvert T P
 3430 Drake R L
 3447ΔHart R W
 3450ΔCummings S A
 Walnut av intersects

3511ΔLambia C S Mrs
 3514ΔHeilman Adam
 3521ΔSchelp F H
 3521½ΔColquitt Rollins
 3522 Enk L W
 3524ΔCompton E M Mrs
 3527ΔSpringer J D
 3536ΔGregory W L
 Brooks av intersects
 Puterbaugh intersects

3612 Vidger A C Mrs
 3620ΔHanks W C
 3621ΔBlissard R L
 3625ΔArchibald D M
 3626ΔGustafson E O
 3635 Bishop H C
 3637ΔKrdete J H
 3642ΔBarnes Ford
 Torrence intersects

3647 Gordon J A
 3651ΔMcCutchen R N
 3653 Garner G F
 3655 Brownson Marilyn

3657ΔCourton W D
 3665ΔBivens J C
 3668ΔHlasen Hjalmar
 3673ΔHolland H J
 3676ΔTheobald C W
 3694 Vacant
 Pennsylvania av intersects

3704ΔSwisher C W
 3705ΔMorton Jas
 3710ΔWarfield Kenneth
 3713 Coverly J H
 3719ΔMartin D M
 3724 Ludwig F E
 3727ΔBenner G E Mrs
 3728ΔBillman E J
 Sutter intersects

KLAMATH AV (Pacific Beach)
 —North from 2200 Loring

KLAUBER AV (Encanto) —
 North from 5500 Broadway

1002 Eide A A
 ΔYonuschot R A
 Wren begins

1109ΔSabin R E
 1140ΔHutchins W M
 1161ΔNasbitt M I Mrs
 1162ΔDahl C J
 1189ΔBaldwin C C
 Sparrow av intersects

1259 McGraffin R I
 1320ΔDunn R R jr
 1322 Dunn M E Mrs
 Scimitar dr ends

1444ΔLake A V
 Eider ends

1525 Van Erden Gertrude Mrs
 Hanson Ella
 Thompson John
 1538 Martin B G
 Martin W G
 1546 Kosak Geo
 1559ΔBennett L C
 Attix intersects

1606 Jackson Andw
 1634 Rauch F L
 Hilger ends

1715ΔHannibal J E
 1735 Shidler Geo
 1752 Rincon Jose
 Plover ends

1842ΔMoore Karl
 Romaine V F
 1856 Pendleton L D
 1890 Baker H E
 1936 Miller F W Mrs
 1937ΔOlson M R

KLINE (La Jolla)—East from
 7700 Draper av, 1 s of Pros-
 pect

711ΔFischer M E Mrs
 720 Munson O E
 Eads av intersects

819ΔGarner Clifford
 850ΔDavis C M
 854 Pinnell A C Mrs
 Fay av intersects

903 Watts O J Mrs
 908ΔHiggins H F
 909 King H P
 917ΔGray J H
 920ΔSackett Hubert ins broker
 921 Vacant
 Girard av intersects

1032 Altenbern A L
 1034 Lehde R C
 Herschel av intersects

1121 Field Evelyn C
 1122 Walker Christine C
 1125 Johnson D P Mrs
 1130ΔHall S H
 1130½ Barbour P J
 1132 Miller L W

CLEANS

NOT INFLAMMABLE

CALIFORNIA ST 1943

CABLE—Contd

2016 Litton Wm
2020 Mathias J Mrs
2070 Ross Elizabeth Mrs
2076 Webb F L
2077ADinkheller M R Mrs
2083 Banks T N
2085ABailey Ray
2090 Vacant
Brighton av intersects
2101ADunson W G
2111ADuff D D
2120 Miracle Jo Ann
2121AMichael M H
2124 Gilmore J B
2130ALanier T C
2131 Howell Florence
Long Beach av intersects
2143 Eddieleman J L
2149 Brekke M C
2152 Moore C W
2153 Edwards Wayne
2154AFerris E B Mrs
Muir av intersects
2180 Hutchinson F C
2181 Hayworth Peter
Voltaire av intersects
2216 Appel R M
West Point Loma blvd intersects

CABRILLO AV (La Jolla) —

North from 1 blk s of 1300 Pearl
7416AAnderson O T
7427AWingard L S
7430AGoodwin J W
7441ABauer E F
7441ABauer L H
7446ACarmello J M
Pearl intersects
7501ADorr F D
7520ATooker J B
7528AThompson Alex
7534AHanson Ethel M
7542AChurchill N C
7548AMalm Ann Mrs
7553AMcCarthy J A
7561 Nickelson C J
7569ARachmanow R R
7570AButts Olin
7577ARees du Bois L

CAJON WAY — North from

5400 Madison av
4504ABarnhart K E
4509AHaynes Jos
4525AGilla A F
4530 Vosburgh O R
4533AAndersen R A
4536ACorrin R D
4541ABigelow Josephine Mrs
4546AMcDougal A C

CALHOUN (Old Town) —

Northwest from 4050 Harney
2660 Casa de Bandani furn rms
Grant Alec
2662 Schuett E E
2664 Vacant

Mason intersects

2734 Fousek Karl
2754ACasa de Plco Motor Hotel
Cardwell F K

Wallace intersects

Taylor intersects

CALIFORNIA — North from

800 W Market to Witherby
1220 Buso Jesus
1447 Watson J E

Beech intersects

1506 Contreras R L
1516 Stanley N J
1564 Martinez Jos

Cedar intersects

1610 Curtis E M Mrs
1612 Barber J H
1616 Dutra Edw
1616 1/2 Mora Antonia Mrs
1618 Ramirez Quirina Mrs
1620 Castaneda John
1620 1/2 Martinez R E
1630 Verdugo Ignacio
1632AYsiava Benita Mrs
1634 Solis J M
1636 Torres D H

Dale intersects

1804 Stillson F E
1804 1/2 Anderson Sens
1808 Riddell H W
1824 Vacant
1842 Piranio Salvatore
1930 Asaro Batista
1932ABologna Pietro
1940ADi Magglo Saml
1948 Buompensiero Frank
1954 Vitrano Tony

Grape intersects

Hawthorn intersects

Ivy intersects

2206AGangitano Fannie Mrs
2224 Roiz Ignacio
2230 Ribas Manuel
2244 Pontecorvo Bertha Mrs
2246 Acosta Peter
2250ASalmon Tarquino
2250 1/2 Salmon Robt
2272 Salmon Joaquin
2280 Martinez Jos
Juniper intersects
2337 Figueroa Margarito
Kalmia intersects
2416 Gomez A B Jr
2424 Gomez Antonlo
2430 Gonzales Augustine
2440AAtayde V S

Laurel intersects

2554 Le Gerrette J R
2560 Qulroz Rafael
2572ASanchez Pedro

Maple intersects

Palm intersects

2921AHarper Lucy Mrs
2929 Ledesma G Y
2941 Garcia Raymon
2968 Beers S F
2970 Chapman J W

Quince intersects

3005ATarantino F S
3015ADavies Clara Mrs
3043ACastro R T Mrs

Redwood intersects

Spruce intersects

Thorn intersects

3448ATalbot Frank
Upas intersects
Vine intersects

Walnut av intersects

3607ALawson Clarence
3619 Salcedo Lawrence
3625AMallet C L
3630AMariposa Lndy
3645 Real F G

Bean ends

Chalmers intersects

Winder intersects

3717 Topolski Chas
3719AKennedy A F
3719 1/2 Salisbury R M
3721 Welland J H
3723 Wharton C O
3725 Beck D E
3727 Lemons C E
3729 Montgomery Rlchd
3731AHoistetter A C

Andrews intersects

3751 Five Points Auto Court
Clark H H
3777AAndrews T N billiards

3779AMacDonald Margt Mrs
variety store
3781APage I S Mrs beauty shop
3785AMills J M drugs
3787 Kemble J R
3789AMooney T S phys
3789 1/2 Barrett D S Mrs
3791 Bryenton F V barber
3793 Vacant
3795ABell A J gro
3795 1/2 AMcGroy M F

McKee intersects

3805AHampton Myrtle Mrs
auto court
3809ABaine E M Mrs notary
Arey Ira S Co real est

3810 Vacant

3811ABaine E M Mrs

3817 MacDonald R D

3819AHarsha M E Mrs

Clayton ends

3821 Guess L M
3827 Dyckman D B
3831AConnors Mabel Mrs
3832AMcGregor Gregor dentist
3833 Ruth Lois Mrs
3835 Walker F E

Pringle begins

3844AWilton J W
3856ADyckman D B baker
3870ACalifornia Auto Court
3873ABayview Auto Court
Graham T R gro
Lisvy E B
Weaver Dawson

Sutherland ends

La Jolla av begins

3911ASkoda Steph
3917 Houghen Thos
3919AKnudson Emma Mrs
3922AViery E D Mrs
3929AHenderson D D Mrs
3931 Real Chas
3938 Dyer Noel
3942AJackson Andw
3965AHarper C S
3971AMaze M E Mrs

CALIFORNIA, WEST — From Henry w to Witherby, continuation of California

1907 Kohl C N
1917ARlekan F J H
1931AMinor S H Jr
2005AHewitt C B
2011 Vacant
2017ABentlstone R H
2025AKelley C S
2037AAndrews H O

Wright intersects

2044ACollins V D Mrs
2045AShaw H I Jr
2049 Vacant
2050ABagby J W
2067 Taylor H J
2069AShroobree It M
2074 Graham Horace
2075 Bakka H R

2077AMcCormick Edw

2086AMcAllister H B Mrs

2095 Colman Arlan

2097AChiappe Mary Mrs

2098 Flanagan D S

Bandini intersects

2105AWilke H P
2111AKosenbaum Mortimer
2121ABaird A N
2137AMartin D G
2149ASheven A M
2151 Vacant
2169AHaase M C
2186 Davis R L
2191AStewart E T

Couts intersects

COLUMBIA PL 1943

1824A Tarantino Pietro ©
 1830A De Biasi Saml ©
 1833 Harris A M Mrs ©
 1836 Asaro Jos
 1839 Gangitano Gluseppi
 1840 Desenti Tony ©
 1843 Aaaro Jos
 La Pinto Andw
 1857AZolezzi Steph
 Fir intersects
 1907 Inacio Salvador
 Olivera Antonio
 1915 Santos M G
 1918 Canose Vincente
 1919 Carrao Francisco
 1920 Castagnola Dominic
 1922AOliveira Jose
 1924 Stagnaro Geo
 1928ABusalacchi Cosino
 1929 Brunetto Pasquale ©
 1931 Sullivan J L
 1942 Zolezzi Silvio ©
 1943 Visceglia Mary Mrs
 1953 Billardelli Armando
 1959 Balestreri John
 1965ASullivan E C ©
 Grape intersects
 2011 Leach E E Mrs gro
 2015 Vacant
 2033 Buompensiero Anna Mrs ©
 Carrao Jos
 2034 Schmucker A E ©
 2041 Deming Gurmi
 2043 Pierce R C
 2043½ Couperton Ival
 2044 Columbia Apartments
 Hallmick Eug
 La Valle Roy
 Moglia R L
 Petterson Mildred
 Rank Clara Mrs ©
 Reedy Harold
 Roberts W E
 Shween J J
 2051 Brancalone Anthony
 2053 Terramagra Vincent
 2054ABuono Jack ©
 2064 Sardina Jos
 2066 Di Cola Dominic
 Sardina Jos
 2071 McPhee E S Mrs
 Hawthorn intersects
 2118 Canepa Lorenzo
 2121A Henrich Leo
 2130ADalfo Francesca Mrs ©
 2133 Buompensiero Mateo
 2135ABuompensiero Salvator ©
 2136 Breganta A E
 2137 Drury Cecil
 2141 Canfield Wm
 2143 Brenner Helen Mrs
 2146ABregante Cath Mrs ©
 2154 Busalacchi Jos
 2155 Benner R P
 2165 Sherlis Alex
 2168 Stagnaro P P
 Ivy intersects
 2201ANigro Victor
 Oliveri Jas ©
 2203 Vacant
 2210 Baptist Christian Center
 First Italian Baptist Ch
 San Diego City Baptist
 Mission Soc
 2215 Mellusi J E
 2219 Charves Mary Mrs
 2233AJohnson W G
 2235 Brazil E M Mrs
 2239 Matera Jos
 2241ACorrao Peter ©
 2243 Puccio Peter
 2245 Collini Giuseppe
 2260AFoster and Kleiser Co
 outdoor adv
 Juniper intersects

2303ASanfilippo Dominic ©
 2312 Lococo Pasquale ©
 2314 Neill J A
 2316AHall Lona Mrs
 2317ACrivello Mariano ©
 2323ACrivello Peter
 2326 Parmigiani Beatrice
 Mrs ©
 2328AParmigiani Rocco ©
 2343 Badilla Eva Mrs
 2345AREltz Winnie Mrs
 2348AQuinn W S ©
 2349 Hall Jessie Mrs
 2350 Pauley Virgil
 2351 Crivello Frank
 2353 Carmichael H L
 ADarby D F Mrs
 Faun L J
 MacDonald H H ©
 2355 Galbraith J E
 2358AWulff M R Mrs ©
 2363 Di Bona Mario
 2365 Pool W J
 Kalmia intersects
 2416 Navarra Carlo ©
 2429 Calpin J C
 APalmer E W ©
 2430 Giacalone Saml ©
 2441AQuinl Paul
 2455AKelley Martha E ©
 Laurel intersects
 2518 Sanfilippo Andw
 2519ACausarano Thos ©
 2520 Sanfilippo Peter
 2525AAltoto J S ©
 2528 Vacant
 2532AMaugeri Stefano ©
 2540 Zottolo Vito
 2548 Christino Michl
 2565 Jones J H ©
 Maple intersects
 2601 Helm R O
 2603 Wangler Robt
 2619AKenyon Arth ©
 2620 Neuerburg Maude Mrs ©
 2621 Gossett R R
 2629ALawrence A W ©
 2630 Hart C H
 2636AD'Arcy P J
 2638 Holston Court Apartments
 Thompson W S
 2639AHusband R F ©
 2640 Akers R F
 2642 Bugenhagen H F
 2643 Lucas F S
 2653 Keating E H
 2655AHoss W A ©
 2657AMaton Jos
 2664 Benhart L V
 McCrea A J
 2666AHarrisburg E E
 2669ARemick J K ©
 Nutmeg intersects
 2703 Tinney G V Mrs
 2705 Crooks R C
 2715AWalters G L Mrs
 2727AGross C M Mrs
 2729ABarber J S W ©
 2730 Middlebrook H Caroline ©
 2732AIrving M T
 2737ALoveil Marion
 2739 Glenn Frances
 2741 Dennis R H ©
 2744AMiddlebrook L R Mrs ©
 2753ATraggardh R M Mrs ©
 2756AJones W L ©
 2768AGermo D H
 2773ASimms F B
 Olive intersects
 2811APickney W A ©
 2816AAllen Beatrice Mrs ©
 2818 Fischer H E
 2825ABonham H L ©
 2830ARubesh C L
 2840AHowell S W ©
 2849AButtermore W B ©

2851 Johnson R E
 2864 Morrison R F
 ATetlow Ida Mrs
 2869 Rogers Romie
 Palm intersects
 2930 Pierce Wm ©
 2940ABibb R B
 2950AHamilton Byron
 2952 Witkoff Jos
 2954ADecker H L ©
 2955AJulien J D ©
 2964ANorris J R ©
 2965AWebster M D Mrs
 Quince intersects
 3002AJumper F F ©
 3013AAron Pearl
 3038 Parsons G H
 3040AAtchison T N
 3062 Regorson D G
 Wilkerson Luther
 3064 Kiefer Earl
 3066 Lewis Robt
 3068ASaville Leota M
 Redwood intersects
 3225AYale A W ©
 3242AGoodwin H M ©
 3243AZobrist Ralph ©
 Sassafras intersects
 3310AKirkwood C C
 3319AMillar A A
 3320AAdams C C ©
 3321ASulls Agatha L ©
 3330AMiller R G
 3331AStanden W E
 3333ANoisat R P
 3343 Bennett C L
 3344AStewart Wellington ©
 3345 Daniels A B
 3347 Hall E E
 3355AJohnson D A
 3357AHagan Mildred C
 3366 Machamer J C
 3368ARice M B
 3370ATopping F C ©
 3372ABarnett W H
 Thorn intersects
 3445ACanale J C ©
 3455ABrady C R ©
 3465 Pool C V
 Upas intersects
 3504ASteadman O J ©
 3515 Boniface Frank
 3517 McCusker G C
 3521 Stevens D S
 3525AStarkey L E
 3528ASmith R M ©
 3531AKendrick J L
 3535AMacLennan Donald
 3538AKinney Marvin
 3545 Wilson Louise F
 Vine intersects
 Glenwood dr intersects
 3615 Fleming E G
 3621ALichty Eug ©
 3627ADragon J L ©
 3629 Flick C T
 Chalmers intersects
 3645ARobbins E S Mrs
 3652AWilliams M E Mrs ©
 3661 Vacant
 3662 Vacant
 3663 Schaub C F
 3669 English A W Mrs ©
 ALittle L G
 3670ALalicata Dominic ©
 3677 Hansen H B ©
 3678 Stout N D
 3680AKlengenberg Anna Mrs ©
 3685AMacIntyre T B
 3686AEvans S C ©
 3687ABischoff J N F
 3688 Rayburn R W
 3693 Sawyer Lucy F
 3695 Wolslager L A
 Weiborn begins
 Winder begins

GLENWOOD DR 1943

Street	Telephone	Franklin 1201
GIRARD AV—Contd	Coast Blvd intersects	1720 Roberts W M
7819 Δ Diefenbach W E phys	ft of La Jolla Athletic Park	1720 1/2 Δ Dominice W D
7824 Δ Garty F J florist	GLADIOLA (Pacific Beach)—	1722 Kilgore C L
7825 Hull A K Mrs art gds	East from Pendleton, 2 n of	1722 1/2 Gould Benj
7826 Δ Calloway C H gro	2300 Beryl	1724 Sainsbury L W
7826 1/2 Masonic Temple	GLEN ROAD (Encanto)—North	GLIDDEN (Linda Vista)
Jewel Club	from 550 Kenwood	GLOBE (North San Diego)—
7828 Bollinger J H meats	GLENDALE AV—North from	North from 1 blk s of 3500
H & R Grocery	2550 F to Broadway	Eisbee
Murphy H F dentist	811 Δ Pinnick Herbt	GLORIA—South from Franklin
7829 Δ Great A & P Tea Co gro	812 Davidson A C ⊙	av bet S 48th and S 49th
7833 Bollinger J H fruits	820 Δ Sturgis S C	307 Baysen A M ⊙
7835 Δ Roberts W R baker	821 Δ Garretson Investment Co	325 Δ Knox V C ⊙
7837 Δ Barnes J H radios	Guyette Mae Mrs ⊙	GOLDEN GATE DRIVE (Mis-
7841 Δ Mode O'Day women's clo	822 Amstein Adolf Rev ⊙	sion Cliffs)—East from 700
7843 Δ Appleton Mabel F gift	826 Δ Thayer E F ⊙	Madison av to Campus av
shop	827 Howard Earl ⊙	1111 Δ Phelps J D ⊙
7844 Δ La Jolla Hardware Co	835 Δ Holman Stella Mrs ⊙	Delaware av ends
7845 Δ Bonner Jennie Mrs beauty	838 Thayer Vincent ⊙	1202 Δ Bauer M F ⊙
shop	841 Kecskes Steve	1205 Δ Hull S F Mrs ⊙
Bonner W W barber	845 Δ Hamilton H E	1211 Δ Stebbins L M Mrs ⊙
7847 Δ House of Flowers florist	E intersects	Harvey rd begins
7848 Δ Quon Mane Co art gds	912 Δ Nosier A M ⊙	1219 Δ Beale E W ⊙
7850 Δ Little Shop The sport clo	915 Anderson A ⊙	1229 Norwood G J ⊙
7851 Δ S D Gas & Elec Co	925 Pearson R L ⊙	1235 Δ Stanton L A Mrs ⊙
7852 Δ American Red Cross In-	927 Δ McRae Alex	1240 Δ Stimmel B F
formation Bureau	942 McPherson W H	1245 Δ Allen H H ⊙
7855 Δ Piggly Wiggly Stores gro	GLEN DORA (Pacific Beach)—	Maryland intersects
7856 Δ Post F S dentist	East from 4100 Dalton, 1 n of	1403 Δ Swinerton J M
7857 Δ Stewart Mel Drug Store	Rosswood	1404 Δ Newsom B I. Mrs ⊙
7858 Δ Richter Armin Int dec	3010 Hover J C	1412 Δ Riis H E ⊙
7860 Δ Burger O E jwlr	GLENFIELD — Southeast from	1413 Δ Haw H H ⊙
7861 Δ Ben Franklin Stores no-	4300 Manzanita dr	1419 Δ Rapier R S ⊙
tions	3135 Vacant	1420 Δ Cotant C L
7862 Pecard Georgien mlr	3136 Δ DeKoven Jean Mrs ⊙	1429 Allen Oneita
7861 Δ Van Antwerp M H Mrs	3138 Vacant	1430 Δ Shankland B L ⊙
women's clo	3143 Vacant	1433 Δ Scribner G R ⊙
7863 Δ Girard Hotel	3144 Shlr Henry	1443 Δ Baker A S ⊙
Vogt W H	3148 Δ Hockhart G H ⊙	1444 Δ Roesner J L
7864 Δ Edmonds J D baker	3154 Δ Vanderpool Louis ⊙	Cleveland av ends
7865 Δ Selby Edw S Co china	GLENMORE DRIVE (Linda	1521 Δ Lake D L ⊙
7867 Lester F H confy	Vista)	1529 Δ Brown J T
7868 Δ Cavaleer E V Mrs	GLENMORE LANE (Linda	1538 Δ Owen H S ⊙
7870 Δ Hossein Syed art gds	Vista)	Campus av intersects
7872 Vacant	GLENWOOD (Pacific Beach)—	4501 Δ Boldman I C ⊙
7874 Δ Vlahos J C gro	Changed to Glendora	4515 Δ Bellon Walter jr ⊙
7877 Δ Granada Theatre	GLENWOOD DRIVE — West	4545 Δ Sloper M E ⊙
7880 Δ Thompson Peter liquors	from 3570 Union	GOLDEN PARK AV (La Playa)
Young J A shoe repr	1500 Capps E P	—North from 1 blk s of 3300
7881 Δ Miller's Inc women's &	Herrrel E E	Lucinda
men's furngs	1502 Sieler M O	820 Δ Shropshire W B ⊙
Wall begins	1504 Davis Darrel	Lucinda intersects
7884 Δ Sprouse-Reitz Co variety	1506 O'Neill Mary E	845 Δ Warnes E D
store	1508 Δ Paul Jean	876 Δ Small C A ⊙
7888 Δ Handley Camera Exch	1525 Δ Brack Frank ⊙	Harbor View dr intersects
La Jolla Camera Club	1531 Δ McLouth Ada ⊙	GOLDFIELD (Morena)—North
7906 Arcade Building	State intersects	from 4300 Littlefield
Alley G P real est	1602 Fairman Adelbert	1803 Δ Thompson R E ⊙
Betts Arth tallor	Δ Kershner D S ⊙	1808 Δ Nolan P L ⊙
Cotsonis G P restr	1605 Tenbroek H A ⊙	1819 Δ Aguirre Anthony ⊙
Δ Hill K B ins agt	1616 Δ Daly J G ⊙	1826 Δ English Gordon ⊙
Δ Lipe T J phys	1617 Vacant	1827 Δ Erenchley Reginald ⊙
Δ McLaren A D inv sec	1624 Millren K C ⊙	1831 Δ Van Dusen E C ⊙
7910 Clark E A barber	1626 Davis M E	1834 Δ Gleason R F ⊙
Δ Clark M E Mrs beauty	1628 McDaniel E H	1842 Δ Hofman Richd ⊙
shop	1630 Δ Scudder J C	1847 Δ Warner E J
7912 Δ Patz T M gro	1630 1/2 Porter M J	1848 Logan V H ⊙
7915 Δ Rae Joan photog	1632 Wright Roy	1853 Δ Spencer J L ⊙
7916 Δ Martin E A drugs	1633 Δ Morgan Harry ⊙	1865 Δ Jackson C R ⊙
7917 Δ Gray Cary Ames & Dris-	1634 Riese P E	Ashton intersects
coil lawyers	1636 Highfield Cecil	1911 Δ Maffioli C C
Δ Gray Gordon lawyer	1702 Alsop J W	1912 Marfucci Gen ⊙
7920 Δ Myers T G restr	1704 Christian Mildred	1919 Carpinelli W J
7921 Jorgensen J L men's	1705 Δ Scott W R	1927 Δ Dahl R R ⊙
furngs	1708 Smith R D	1928 Δ Benson J W ⊙
Δ Smith J F dry gds	1709 Δ Benedict E K	1935 Δ Shelton M J ⊙
7927 Δ W U Teleg Co	1711 Donnegan M S Mrs	1943 Thurgood Newell
7929 Δ Barrett E T beauty shop	1712 Wagner Conrad	1951 Δ Plummer R R ⊙
7931 Δ Ballam G E Mrs antiques	1715 Δ Noack L G Mrs	1952 Wilmer Alf ⊙
7933 Δ La Jolla Credit Assn	1716 Sellers E L	1957 Δ Rowan Key ⊙
Prospect intersects	1716 1/2 Glass K S	1967 Δ Hight G E ⊙
8002 Vacant		Van Horn A E
8004 Lathrop Goldie Mrs		Napier intersects
8008 Δ Bagarus S M		
8029 Δ Cook M H ⊙		
8045 Δ LeBaron Ada Mrs		
8047 Δ Angler L V Mrs		

INDIA ST 1943

INDIA AVENUE BUILDING

INDIA—Contd

ΔMoran J D
 2632 Williams Leon jr
 2657 Dean O L
 2659 Mecklenburg H G
 2663ΔKenyon V V Mrs ©
 Nutmeg intersects
 2701 Harris M S Mrs ©
 2702ΔBullard E C ©
 2702a Stromberg Carl
 2702b Deskins Eliz
 2704 Blackburn A E
 2706 Hanks Thos
 2708 Baerlein W H
 2710ΔDupuy M D
 2718ΔLuck A T
 2720 Coop Amelia Mrs
 2722ΔHarrison R R
 2740 Burton Eug
 2742 Dolson R E
 2742½ McNeece J F ©
 2747ΔHorton E J ©
 Palm E A
 2764 Jones J H coml photog ©
 Olive intersects
 2801ΔChambers R W
 2804 Gardner S J Mrs ©
 2805 Teaford F I
 2815 Yates G W
 2818 Marotta John
 2820 Reed W H
 2828 Erlanson F E
 2828½ Cicala Anna Mrs
 2834 Shuay Roy
 2836 Plumley G W
 2837 Kelley W C
 2839 Geltosky J J
 2840ΔAdams Florence Mrs gro
 2840½ Adams Florence Mrs
 2842ΔBrown C N
 2842½ Evans R W
 2844 Westfall Frank
 2849ΔRauscher E W ©
 2850 White J F
 2860ΔWhite J F phys
 2867 Tarantino Frank ©
 2869 Olsen Sophie ©
 Palm intersects
 2898 Parrott J M
 2902ΔYbarre A R ©
 2903 Marker M E
 2905 Grindl Sophie Mrs ©
 2905½ Vacant
 2907 Shaw R J
 2909 Smith H C
 2915ΔMelencamp E N ©
 2920ΔHuber H O ©
 2921ΔMcPherson J W
 2923 Applegate F D
 2923½ Andrus E W
 2927 Robbins R L ©
 2932 Aubert M A Mrs
 2932½ Hazle W C
 2934 Hobson L F
 2936 Ahern Lawrence
 2940ΔEversoll D B
 2942 Maxwell E I Mrs
 2944 Hansen Andw
 2945 Splinter C H
 ΔStagg H W
 rear Davis W J
 2952ΔFinnegan Virginia Mrs ©
 Winkle F A
 2966ΔCanepa Parls ©
 2966½ΔCarniglia Jack
 Quince intersects
 3002 Owings L A
 3002½ McKenzie D F Mrs
 3009ΔSilva J D
 3014 Sholota Adolph
 3016 Shenbarger Earl
 3016½ Jacobson S A
 3020 Bay View Apartments
 Letbetter J S
 ΔMorris T K
 3040ΔTariton F A
 3042 Chase C S
 3042aΔLang Tressia Mrs
 3044 Smith Alice Mrs

3044a Formella Stanley
 3044½ Lewis R L
 3046 Wilder Wm
 3048 Renzulli Louls jr
 3053ΔAmos Cleon ©
 3054 Robins F A Mrs
 3056ΔBologna Philip gro
 3058 Wingfield R R
 3060 Morrow L G
 Redwood intersects
 3114ΔMarchman C A
 3116 McHatton J F
 3124 Vacant
 3129 Porter H R ©
 3131 Porter H R cigars
 3140 Whitney O L ©
 3141 Goldie Isabel Mrs
 3153 Morrison M E
 3167 Underwood R B
 3171 Vacant
 Spruce intersects
 3179 Dison H B
 3232ΔAmerican Clnrs
 3252ΔNelson K G ©
 3254 Agee W M
 3256 Krueger E F
 3260 Hutchinson C W
 Sassafras intersects
 3300 Airman's Club
 ΔU S Army Air Corps
 3325 Gregory F C
 ΔTuffley R L ©
 Van de Werken Herman
 3341 Tinker T J
 3341½ Cussins J E
 3343 Vacant
 3343½ΔKettelson W E
 3345 Christian G E
 3347ΔGarrett H E ©
 Thorn intersects
 3460a Buys N F
 3460b Fletcher W D
 3460c Cramer Nita Mrs
 3460d McDonald Mack
 3462 Schade Virgil
 3462½ Simpson T J Mrs
 Wildaw H
 3464 Vacant
 3466 El Francisco Apartments
 ΔDingeman F J jr ©
 3468 Torres A S
 3472 Vacant
 Upas intersects
 3503 Welsh Walter
 3505ΔJamieson D M
 3507 Hart A E
 3509 Radaeke G R
 3512ΔDougherty P D ©
 3514 Barnes S W
 3519ΔLamoreaux P W
 3525 Darby R T
 3527 Reehl W W
 3529ΔWilcox R J
 3536ΔLasater J A
 3537ΔLacey D S ©
 3538ΔBender C R
 3540 Burkard G W
 3541 Devers E C
 3544ΔRogers R R ©
 3545 Funk J J
 3546 Siddall M S Mrs
 3547ΔBorey A A
 3547½ Gable J G
 3549ΔClaassen W J ©
 Vine intersects
 Glenwood dr intersects
 Walnut av intersects
 3616 Tarver J E ©
 3620 Blaisdell L R
 Kelley K L Mrs ©
 Tanner Harry
 3634ΔBayles M E Mrs
 3637 McMurtry M T
 3642 Baxter F W
 3649 Vacant
 Chalmers intersects

3652 Normandy Apartments
 Bauer Mary Mrs
 Bjorness Leland
 Cordova Inez
 Crews B F
 Knight Richd
 Moore Melvin
 Myers John
 Tidball Lillian
 Voorhees Helen
 Walker Wayne
 Whatley C R
 Whitfall Helen
 3661 Emmerring M J
 ΔPorter K H
 Stacey E J
 3662 Orres Bernice J
 3664ΔCotham J F
 3667 Pedrin Albt shoe repr
 3675 Brenner E A
 ΔHaley Robley gro
 3682 Wilson L R
 3684 Wordaworth Fred
 3688 Atkinson Newton
 3690 Duffy C C
 3692 Lucas Jade
 3697 Almeter Everett
 3698ΔMcPherson Susie Mrs ©
 Williams L J
 Winder intersects
 3701 Julien W J
 3702ΔPalomar Golf Park
 3711ΔStallings H R ©
 3715 Burgasten R E ©
 3735ΔEarle H H ©
 3735½ Vacant
 3743 Hower P W
 3745 Cheronos Geo
 3745½ Marquardt H E Mrs
 3749 Chelieu D A
 3751 Perry D H
 Andrews intersects
 3771 Williams J T ©
 3780 Twigg B M
 3792ΔCannon R Mamle
 INDIANA—North from 1800 E
 Upas
 3503ΔBurgstar J B ©
 3515 Burns J M Mrs
 3517 Lemon D M ©
 3524ΔFoster H F Mrs ©
 3527ΔHulden LaRoy
 3528ΔArnold Rosalie S ©
 3530 Nylin N E
 3532 Crosby Amy M
 3538ΔHolmes Gerald
 3541ΔEdson M B Mrs ©
 3544ΔRogers G A Mrs
 3546ΔMuncey H V
 3547 Ringer M S
 3548 Anderson Clyde
 3549 Franklin Harry
 3551 Brown J A Mrs ©
 3554 Felgar R E ©
 ΔFickler Wm ©
 Nelson K A
 Rudolph Edw
 3559ΔMcChesney D W
 Nelson Bessie Mrs ©
 3602ΔBarham E G
 3604ΔYount C H
 3605ΔJenson R E ©
 3606ΔLeisure Leon
 3606½ΔCash J G ©
 3608ΔGoetz Bertha Mrs
 3608½ Poschman W H
 3610ΔMeeker R F
 3611 Palmer E M Mrs
 3612ΔWilburn Louise Mrs
 3612½ Nicholas C D
 3613ΔDavis W W ©
 3614 Ford Hattie
 3614½ Rocks M J
 3616ΔBjorklund M K
 3621 Kilgore E L
 3622 Moody Wm ©
 3623ΔCunningham J O ©
 3624 Hendrix A R

PACIFIC HWY 1943

<p>ΔWestern Air Lines Inc terminal 2843ΔWilshire Oil Co Palm av intersects 2905 Embleton H A gas sta 2930 Lindberg Field ΔU S Airport office ΔU S Civil Aeronautics Admin ΔU S Weather Bureau 3165 Consolidated Aircraft Corp 3302ΔConsolidated Vultee Aircraft Corp plant 1 Thorn intersects 3401 Leighton Industries Inc commissary dept 3625 Parker & Thornberg gas sta Bean begins 3723ΔLowery R A restr Harasthy begins 3753ΔBrake Corner brake sta Clayton intersects 3831ΔKean K V Mrs restr 3845 Safeway Store gro Sutherland intersects 3853ΔRay-Ken Sea Food Co 3877 Becker A W Mrs restr 3881ΔLeinstelner F J meats Sloan Albt fruits Van's Market gro 3885ΔSan Diego Tile Co 3895ΔSheffield E F vet surg Noell intersects 3911 Pool C V restr 3923 Little R W & Sons 3925 Parks F E 3939ΔBray G H gas sta 3955ΔCity Tire Products 3957 Piggly Wiggly gro 3959 Bechaver Michl liquors 3967ΔFreyler Frank gro Weber O M meats 3985ΔDiederichsen Arth nursery Wright intersects Bardini intersects 4005 Fann Harry restr 4095ΔCrossland W S restr Couts intersects 4105ΔClark A B liquors 4137ΔSorenson F C restr 4139ΔBeauty Rest Motel 4143ΔKahn Saml baker Witherby intersects 4205ΔConsolidated Vultee Aircraft Corp plant 2 4306 Ballanger W C gas sta 4350ΔAcme Pipe Co 4432ΔPacific Boulevard Motel Lombard E A 4474ΔBlue Bell Motel Allen V D 4480ΔReynolds J D 4570 Sunset Auto & Trailer Court Vitrified Products Corp 4594ΔShields R L gas sta Rosecrans intersects 4634ΔBray R L 4646ΔEl Padre Motel Craig W C Scharlo C J 4650 Mecca Hotel 4714ΔParkinson E K auto camp 4841ΔOchoa Gabino 4857ΔSmith A B 4833ΔSmith E P 6303 Parker Belle 6375 Smith E C Wharton R M gas sta 6453 Hover J C kennels 6558ΔShirley H F 6596 Irwin F E Mrs 6615ΔRoepke E H 6633ΔKelly Dewey 6636 Brown S S 6646 McMurray Trailer Court</p>	<p>Baccus Garland Balboa av intersects 6704 Kendall C B gas sta 6712 Sheldon & Schmidt restr Boiland H C liquors PACIFIC BEACH DRIVE (Mission Beach) — West from 3997 Mission blvd PACIFIC BEACH DRIVE (Formerly Pacific av) (Pacific Beach) — East from 4100 Ocean blvd 952ΔTolle N W 1025ΔRice W T 1076ΔRanglos P D 1102 Woudstra H W 1111ΔZlac Rowing Club 1112ΔAnderson M E 1120 Bailey E J 1125ΔIngle H J 1145ΔMitchell J D 1152ΔMiller J A 1160ΔLynch Howard 1168 Kueny F H 1173ΔDiamond N W 1175 Diamond A E 1205 Kelly D J 1211ΔPope C A 1212ΔDean Elza 1221ΔLaughlin J J 1229ΔAlbright Irvin 1235ΔMcQuoid L R 1243 Anderson Robt 1246ΔErnst J R 1251ΔSarkiss Hrand 1254ΔMcCarthy J C 1259ΔBoughton D C Evarts intersects 1287 Walter A E 1278ΔPeterson Jens 1284 Douglas M E Fanuel intersects 1312ΔCoombs N C jr 1314ΔBurnette Clive 1320ΔNew J R 1321ΔCromer R E 1327ΔMoss E A 1330ΔHodges E D jr Gresham intersects 1335 Mac Leilan Margaretta Mrs 1346ΔSaukko R E 1351 Edwards W W 1356ΔInhofe L M 1361ΔButler P C 1364 Gray E W bldg contr 1368 Gibbs D H 1369 Bell E R 1375ΔTipward Juliette 1404ΔRubish H N 1412ΔHock A R Haines intersects 1560ΔYork G W Ingraham intersects Jewell intersects 1704ΔElmore V H 1714ΔDunmore C A 1720 Thompson C V 1730ΔBunsen W F 1744ΔVollman Leonard 1754 Barnett Pearl Mrs 1760 Marco Frank 1768ΔHawkins H H 1778 Bunch F L jr Kendall intersects 1804ΔPeck J M 1812 Garner T A 1821ΔPohl E W 1828 Lucast J E 1836ΔMattson C M 1846 Radke A A 1854 Kelley E D 1860 Brotherton T W 1870ΔEdmiston Aiton 1878ΔMiller A D 1882ΔDonstead R A Sequoia intersects</p>	<p>Lamont intersects 1914 Santos J D 1916ΔLibben D F PAGEL PLACE (Encanto) — South from 8650 Benson av PALERMO DRIVE (Ocean Beach) — North from 2000 Chatsworth blvd 2301 Fletcher R T ΔWord W E 2325ΔGerhauser G F 2337ΔKnight M K 2345ΔBusse O J PALISADES ROAD (Kensington Heights) — Northwest from 4200 Ridgeway 4104ΔBridge N H Lane Fred 4110ΔSalmon B T 4113ΔRatcliff V H 4126ΔHutchison C E Mrs 4148ΔBond F M Morgan W A 4161ΔBullard O K 4184ΔMyers Lloyd 5302 Borer R C 5308ΔSchultz A L 5311ΔGilchrist B M 5317ΔShudde W J 5324ΔKellogg G H 5331ΔKennedy G F 5333ΔWaite R P PALM — East from 2900 1st av 415 Przekop A J 417 Vacant 420ΔWeber Laura 422 Lawton Ann 432ΔCarmichael M M Mrs 434ΔVancil M A Mrs 442 Hemple Ray 5th av intersects 506ΔJenkyn S R Mrs 518 Vacant 520ΔErickson Mildred 6th av intersects Balboa Park (not open to 28th) Granada av intersects 2854 Gilbert B E Mrs 2855ΔButt C R Cummins J W 2864ΔKrumm W A 2867ΔWenz H A 2868ΔStrong Alma Mrs 2870ΔAllison W A 2875ΔPresser T B Mrs 2889ΔOrtlieb J M 29th intersects 2911ΔRitter Howard 2913ΔQuick V S 2915 Lowry H O 2926 Unroe J L 2927ΔPoole Mary H 2928 Hunt R R 2941ΔNichols Dee H Dale intersects 2975ΔSingletary E R 30th intersects 3001ΔMetcalf E M Mrs 3009ΔNeal P M 3015ΔGanger H J 3016ΔMiner E J 3024ΔRadford R R 3025ΔBuysman V E 3031ΔKuhlman Edna Mrs 3033ΔRevere J C 3035 Pritchett W S 3036ΔIrwin A Q 3039ΔFlaherty Frances Mrs 3040ΔHausdorf Mae Mrs 3042ΔEnneking W C 3049ΔKustermann Julia 3052ΔCrowe E E 3055ΔDevorraux H V 3058ΔWalsh John</p>
---	--	--

UPAS/COLUMBIA 1943

1202A Ineh Nilda ©
 1202 1/2 Olson Burton
 1212A Beardsley J R ©
 1234A Lockwood F M ©
 Paddock M G Mrs
 1238A Storm A V ©
 1256A Brown A C
 1262 Vacant
 1270A Metts W P ©
 1290A Briggs W L ©
 Richmond intersects
 1404A Metts J C ©
 1414A Storey G E ©
 1420A Harlan Dale ©
 1428 Dole Iva Mrs
 1440A House Newton ©
 Albert intersects
 1506A Brown H C
 A Harbaugh O S
 1512A Johnson H C ©
 1520 Brothers L P Mrs ©
 1530A Mitchell F J
 Herbert intersects
 1602A Lundy W C ©
 1610A Schwimley M A
 1612A Soye Maria Mrs
 1614A Siefert C H
 1616A Mossman Elizabeth Mrs
 1618 Battle Hannah E
 1620 Costello H H
 1622A Carswell C C
 1624A Sorenson N L
 1626 Crawley M C
 1628A Fiske R W
 1632a Berenson Albt
 1632bA Christensen L H
 1632cA Haskell J N Jr
 1632d Holloway O T Mrs
 1634aA Ketchum C E
 1634b Ellis R C
 1634cA Heppie Mary
 1642A Clark Eleanor Mrs
 1644 Akerberg H G
 1646A Wrightson Arth
 1648A Sanders Julia Mrs
 1652A Nelson J E ©
 1654A Read C J
 1656A Wilcox M K Mrs
 1658A Hunt Irene Mrs
 Park Blvd intersects
 1714A Phillips C A
 1716A Madden R W
 1718 Arntson K I
 1720A Byers P U
 1726 Gaffney G J
 1728A McCabe Julia A
 1728 1/2A Ballinger L A
 1732 Gramercy Court
 1732 1/2A Pfeiffer Virginia
 Spencer Virginia
 1734 Van Luvanee Leonore
 1734 1/2A Hyatt R J
 1736 Tucker Wm
 1736 1/2 Shaw G D
 1738 Hughes T C
 1738 1/2A Barker C J Jr
 1740A Hemphill H A dancing
 tchr
 Indiana intersects
 1800A Crittenden Sarah Mrs
 Georgia intersects
 Florida intersects
 2044 Kirk H R
 Alabama intersects
 2102A Powell P C ©
 2114A Seagren C G
 2124A Murphy E H Mrs
 2132A Warner G M ©
 2140A Gaines G A ©
 Mississippi intersects
 2212 Oscars L J
 2222A Bright H S
 2228A Davies C W ©
 Louisiana intersects
 2306A Bruns T A
 2318A Archer S D
 2328A McIntosh F S Mrs
 Texas intersects

2426A Kirby J L ©
 2436 Tamila C M ©
 2516A Bell H M
 2518A Weisberg Arth ©
 2530A Stofer D D
 Arnold intersects
 Villa ter intersects
 2602A Baisch J G ©
 2612A Toussaint R B ©
 2616A Grant Robt ©
 2618 Hickey R W
 2620A Hanna A C
 2628A Haines P W ©
 Pershing av intersects
 2718A Stork Lydia B ©
 2728 Sanner R L
 2738A Pierce G T Mrs
 28th intersects
 Utah intersects
 2812 Potter G E
 2828 Cunningham Allen
 2830A Landt H L
 2832A Gaskins F E ©
 2853 Shands E E
 2873A Krull M D Mrs ©
 2875 Thompas Lindsay
 Granada av intersects
 29th intersects
 2905A Walker J C
 2911A Linley C A ©
 2917A Pendleton C M ©
 2924 Giles H B furns
 2925A Marshall C V Mrs ©
 Dale intersects
 2959 Babek J P gas sta
 2965 Mello Cream Do Nut Co
 2969 Oberg Enoch gro
 2975A Saleski J S
 2975 1/2A Barnett V C
 2983 Vacant
 30th intersects
 3016 Rose J C
 3022 Rose J E
 3025A Kirkland Clara G ©
 3026 Vacant
 3028 Church of Christ
 Ray intersects
 3035 Bandy H F
 3036A Lynn H D gas sta
 3040 Skelley T L auto repr
 3060A Skelley T L
 Grim av intersects
 3065 Norman Alf ©
 3074A Niedermayer H J
 3075 Hall Estelle ©
 31st intersects
 3108 Kast W C
 3114 Degan B E
 3115A Hill J C
 3127A Faust A E Mrs ©
 3128A Nunneley Nellie D
 Herman av intersects
 3162 Lauritzen I L
 3162 1/2 Stewart Helen ©
 3174 Mathers J O
 32d intersects
 3215A Logan F E
 3218 Wilson R C
 3224 East L F
 3231 Vacant
 Bancroft intersects
 3254A Wiggln Clarence
 3271A Powell E S ©
 3274 Dowd H S Mrs ©
 33d intersects
 3305 Alexander G V Mrs
 3316A Moreland C B
 3317A Schutt E G
 3324A Wattenbarger R M
 3325 Huet O T ©
 3344A Haynes L A ©
 Felton intersects
 3376A Preibisius L J ©
 3380 Hess C W
 3386 Moore E M
 Boundary intersects

UPAS, WEST — West from
 3400 1st av
 102A Sanborn R E
 104A Murphy W A
 106A Rodgers Barbara Mrs
 120A Lind M G
 122A Ford L L
 124A Petersen H W
 126A Simko Ambrose
 142 Spencer J C
 144A Alison Lamar
 146A Furer C S
 148A Keith J N
 Front intersects
 Albatross intersects
 180A McConnell C R
 336A Johnson C M
 410A White W D ©
 702A Starr Wm ©
 741A Van Keuren J O
 810A Goodrich M D ©
 820A Erving J S
 845A Razzeto Chas ©
 850 Medina J A ©
 Goldfinch intersects
 Hawk intersects
 1315A Hopkins T C ©
 Union intersects
 1506A Johanson R H
 1508 Frapp W A
 1510A Goodwin S G
 1512 Warren Cecil
 Columbia intersects
 India intersects
 UPLAND (Encanto) — East
 from 1600 60th
 UPSHUR (La Playa) — West
 from 1050 Shaffer, 2 e of
 Rosecrans
 3011A Viegas Marcelino
 3014A Cahn W B
 3016 Epler R S
 3018A Swartz G J
 3020A Schilnk V G
 3022A Dabkowski Stanley
 3024A Klause W L
 3028A Kis Geo
 Armada ter ends
 UPTON COURT (Linda Vista)
 URBAN AV — East from Eliz-
 abeth, 1 s of Ocean View Blvd
 UTAH (University Heights) —
 North from 2850 E Upas
 3404A Wills T W
 3411 Simpson H W
 3412 Vacant
 3419A Hatalsan J W ©
 3422A Brogle J P
 3429A Merry W L ©
 3430A Gruebele J G ©
 3436A Ruffin R S
 3437 Zierke E C Mrs
 3441 Littleford Joshua ©
 3443 Hansen W L
 3446A Maguire F H ©
 Myrtle av intersects
 3501A White C M ©
 3502A Cooke F M Mrs ©
 3511 Shell G R
 3512A Moskowitz Max ©
 3519A Krebs Kath ©
 3520A Botkin C A Mrs ©
 3526A Strohauer W J ©
 3529A Henderson P C ©
 3536 McCarroll J H
 3537 Moore A M Mrs ©
 3543A Nelson Lemuel ©
 3544 Parvln F P
 Capps intersects
 3552A Bacon R E W
 3553 Boldrick E H
 3562A Harkleroad H J
 3565A Conn John
 3568A Aylesbury A G ©

VINE ST 1943

K M BARAGER, President

B J BAR

738 Vacant
Mission blvd intersects
804 Liftchild Chas @
807 Lenhart W L
811 AHill C R @
817 Vacant
821 McElhaney L L
822 Clarke J E @
829 Prentice G G @

VESTA — Southwest from 3900
Acacia

1701 Chapman Bros paper
boxes
1702 Hollis J E @
1703 Vacant
1728 Campbell Luther
1731 Frye A L @
1734 Nicholson Thos @

Birch intersects
1805 Mitchell F M @
1820 Rasimas A V
1835 Simmerman Chas @
1831 Davie D L
1832 Smaw G G
1837 Carr E T @

Dalbergia intersects
2004 Kreis Theo
2005 Shreve H C @
2010 Rowe L V
2011a Brown W E
2011b Martin R L
2018 Machado L C
2019a Vining E P
2019b Easter Thos
2020 Sutherland Ezra

Cottonwood intersects
Main intersects

2401 Hutto J D
2402 Whitney W W
2403 Short L E
2404 Wilson Henry
2421 Brewer Landon
2422 Haynes Harold
2423 Hardwick Victor
2424 Klein E C
2429 Bliss Chas
2430 Johnson Ralph
2431 Olive Ethel Mrs
2432 Riley R H
2439 Langston Wilbur
2440 Butterworth J S
2442 Lowe R H
2449 Ralston E I
2450 McGuire E V
2451 Whelpley R A
2452 Bayse Geo

McCandless intersects

VIA DEL NORTE (La Jolla)
— West from 6100 La Jolla
blvd

202 Kiely W R
208 Scobie G G

Avenida Cortez intersects
301 Nelson H G
302 Young Du Bois @
311 Shepherd T L

Vista De La Mesa intersects
315 Turner H D @
340 Dyer J E
350 Roden W D Mrs @

La Jolla blvd intersects

VIELLE COURT (Linda Vista)

VIEW AV (La Jolla) — North
from 1200 Bird Rock av

VIEW POINT DRIVE — North
from 2050 W Columbia

VIKING WAY (La Jolla)—North
from 1850 Torrey Pines rd to
Newport ter
1802 Igelstroem C I @
1821 Rand Maya Mrs @
1856 Hutchinson C S Mrs @
1857 Burnham Carrie Mrs
AWier J L @
1874 Shea M N Mrs @
1879 Green G S
1881 Shelburne S A
1888 Ziegler F S Mrs

VILLA DRIVE (Loma Portal)
— North from 2100 Chata-
worth blvd

VILLA TERRACE—North from
2600 E Upas
3420 Skelton G C @
3428 Hoss P F
3438 Connery E M Mrs
3439 Walruff E H
3446 Overcash B F @
3447 Genet M E Mrs @

Myrtle av intersects
3504 Whitmoyer P H
3512 Hall W J @
3513 Carson W P
3521 Harris F M Mrs
3522 Seaton J L L @
3527 Vacant
3528 Jackson Wilber
Lickert Winnifred D @

3535 Rutherford M L @
3536 Vacant
3540 Knotts Jos @
3542 Naumann Evelyn M
3542d Matzke A M
3544 Vereen Russell
3545 Beebe Carr @
3546 Byllesby H A
3551 Robinson L B @
3552 Doesschmann W H
3559 Neale C E @
3567 Hoffmann A J @
3568 Brown H K
3576 Robinson B H @
3584 Ghio E A @
3585 Heatherly B A Mrs @
3593 Bixler B A

Dwight intersects
3602 McCoy E E Mrs @
3603 Hall W R
3611 Springer L W @
3612 Couch R M @
3617 Bath B T @
3620 Henke H C @
3623 Beck C G
3625 Jungmans H F
3626 Stephenson B C Mrs
3628 Mueller Barbara Mrs @
3628 Rountree T B
3629 Gould S J
3630 Jones E W
3635 Anderson A F @
3636 Hink H D W @
3639 Tate J D
3644 Griffin J J @
3645 Baston H M
3650 Learnard N O @
3655 Allen W G @
3660 Nagle G E Jr
3661 Henderson A E Mrs @
Wahn J H
3664 Devich N R @
3667 Fruit H C @
3670 Sidall Frank
3674 Hunter N V
3675 Row R C
3676 Prater Chas
3693 Bailey Lela E @
3694 Miles R S @

Landis intersects
3704 Deem Margt Mrs @
3714 Stock W J @
3714 1/2 Hutchinson Wm
3715 Wellin Eric @
3718 Stewart Blanch Mrs @
3720 Bales E A @
3725 Peery C F
3730 Van Dort Thos @
3735 Brennecke Minnie Mrs @
3736 Day R W Jr
3738 Stahlfeld P G @
3745 Carson H H
AMineah L E @
3746 Rush E T @
3748 Ebel Wm
3750 Burnett J D
3751 Newton E R @
3752 Lucke L E @
3761 Buis J W @
3762 Davison M C Mrs @
3764 Dyche J Vivian
3767 Gault W W @
3768 Anderson J O
3770 Steele A M @
3772 Hammerstein M P
3775 Goldsmith C T @
3776 Jordan H E @
3783 Freeberg O E @
3784 Switzer C L Mrs @
3785 Batten C E
3788 Brown J F
3794 Perkins R E @
Wightman intersects
3803 Mager Edwin @
3806 O'Meara Nora G @
3808 Hopton Bessie Mrs
3810 Deming Clark
3811 Martin Benj @
3812 Buono Norene Mrs
3814 Smith Palmer @
3815 Solbue A J
3817 Beaudry L A
3819 Tucker S C
3820 Koates Amelia Mrs @
3822 Sperow W B
3829 Myers R J
3830 Ray L E
University av intersects
VINE — West from 3550 Union
1405 Wade Henry @
1405 1/2 Wintia E J
1412 Crump L M @
1417 Vinyard F A @
1420 Hermes W H
1421 McKinney J H
1430 Dorland F N Jr @
1449 Oates Pirl
State intersects
1501 Muehleisen Adolph @
1516 Gates P E @
1524 Likes E K Mrs @
Columbia intersects
1611 Glasson W J @
1621 Ferry J E
1623 Baranov Harold
1629 Hardgree Albt
India intersects
VINE COURT — East from 1/2
blk w of 750 S 29th
VIOLA (North San Diego) —
East from 2200 Morena blvd
VIOLET — Southeast from 4050
Manzanita dr
2511 Ritz C W @
2518 Frandsen C W @
Sycamore dr intersects
Pepper dr intersects
2547 Erny F F @
2560 Choate G M @
2564 Redman F P
2571 Smith H W @
2576 Wolthorn A H @
Poplar intersects

3714 Stock W J @
3714 1/2 Hutchinson Wm
3715 Wellin Eric @
3718 Stewart Blanch Mrs @
3720 Bales E A @
3725 Peery C F
3730 Van Dort Thos @
3735 Brennecke Minnie Mrs @
3736 Day R W Jr
3738 Stahlfeld P G @
3745 Carson H H
AMineah L E @
3746 Rush E T @
3748 Ebel Wm
3750 Burnett J D
3751 Newton E R @
3752 Lucke L E @
3761 Buis J W @
3762 Davison M C Mrs @
3764 Dyche J Vivian
3767 Gault W W @
3768 Anderson J O
3770 Steele A M @
3772 Hammerstein M P
3775 Goldsmith C T @
3776 Jordan H E @
3783 Freeberg O E @
3784 Switzer C L Mrs @
3785 Batten C E
3788 Brown J F
3794 Perkins R E @
Wightman intersects
3803 Mager Edwin @
3806 O'Meara Nora G @
3808 Hopton Bessie Mrs
3810 Deming Clark
3811 Martin Benj @
3812 Buono Norene Mrs
3814 Smith Palmer @
3815 Solbue A J
3817 Beaudry L A
3819 Tucker S C
3820 Koates Amelia Mrs @
3822 Sperow W B
3829 Myers R J
3830 Ray L E
University av intersects
VINE — West from 3550 Union
1405 Wade Henry @
1405 1/2 Wintia E J
1412 Crump L M @
1417 Vinyard F A @
1420 Hermes W H
1421 McKinney J H
1430 Dorland F N Jr @
1449 Oates Pirl
State intersects
1501 Muehleisen Adolph @
1516 Gates P E @
1524 Likes E K Mrs @
Columbia intersects
1611 Glasson W J @
1621 Ferry J E
1623 Baranov Harold
1629 Hardgree Albt
India intersects
VINE COURT — East from 1/2
blk w of 750 S 29th
VIOLA (North San Diego) —
East from 2200 Morena blvd
VIOLET — Southeast from 4050
Manzanita dr
2511 Ritz C W @
2518 Frandsen C W @
Sycamore dr intersects
Pepper dr intersects
2547 Erny F F @
2560 Choate G M @
2564 Redman F P
2571 Smith H W @
2576 Wolthorn A H @
Poplar intersects

WALNUT AVE W 1943

<p>WABASH AV—Contd 4029 Ward C P © 4032 Goforth E C © 4035 Richmond J R Mrs 4036 Martin C E © 4039 Clark E P 4044 Phillips Mary Mrs © 4045 Miller L I 4048 DuBrock O L 4050 Oliverio Theo 4051 Goodwin W R © 4060 Jones C H © 4061 Stonestreet J W 4067 Kleeberg Howard © 4068 Sacco Saml © 4074 Allession Rose Mrs © 4077 Eggerstaff Chas 4082 Martin Hazel Mrs Polk av intersects 4102 Tyrell May Mrs © 4109 Price H W 4110 Morris R M 4115 Lane Pearl Mrs 4120 Brown Florence © 4128 Morris S A © 4133 Farina J S © 4134 Haggard P T © 4140 Solomon C B © 4141 Schwelkhard L M 4148 Burbee J S Mrs 4151 Harlan Richd © 4156 Archibald W N © 4157 Seales Lawrence © 4164 Roeval Assunta © 4167 Jensen J M © 4172 Snodgrass L L 4174 Ryan E B Mrs © 4175 Clapper R L © 4189 Hoffner B J ©</p>	<p>1140 Post Office Ivanhoe av intersects WALLACE (Old Town)—North- east from 2800 Davis 3976 Tarter T B 4016 Cardwell F K restr 4090 Old Mission Packing Corp 4104 Grimmer O R © 4124 Serrano J A © 4136 Presidio Hills Golf Course Juan intersects WALLACE COURT — North from National av, 1 e of 39th 912 Cartledge Geo © 927 Ghnos J G © 931 Brook S R © National av intersects WALNUT AV—East from 3500 1st av 100 Brinton F L Mrs © 115 Butterfield P H Campbell J R Campbell R M Hacker E F Mrs 140 Day M R Mrs © 2d av ends 207 Swearingen R E 211 Mitchell G S 221 Burrell A C 225 Stanton E Louise © 3d av intersects 303 Ridout L C © 306 Nelson Charlotte Mrs © 328 Putnam Anne R © 335 Prescott G R Mrs furn rms Prescott G H © 4th av intersects 418 Mack Martha 420 Belford W W phys 435 Timmins Jane A 5th av intersects</p>	<p>WALTON PLACE—East from Ohio bet Monroe and Madison avs 3057 Schrick C F 3060 Fiedler J E © 3061 Thompson J A 3064 Hearn Harold © 3069 Lang C W © 3070 Brockmeyer E F © 3074 Borneman E A 3075 Henderson E L © 3078 McArthur D E 3080 Jones Muriel Mrs 3082 Hester Hazel Mrs 3084 Henderson Ruby Mrs © 3086 Barron Monee 3088 Swanson H L WARD ROAD (Normal Heights) —To Camp Kearney via Mur- phy Canyon—East from Cher- okee av to Madison av 3716 Erwin C B © 3720 Bennett Isabel Mrs © 3728 Haynes A G Mrs © 3736 Braly M C Mrs © 3745 Emmett G E © 3751 Sancho A G © 3752 Page C N © 3759 Tinkham N A © 3760 Donner J S © 3767 Landon V E rear Wright E F 3773 Palmer O J Mrs © 3778 Hamman O M 3786 Sowers E L Jr 38th intersects 3816 Cook J B © 3818 Dailey R H Damron L H cor Mission Valley rd Daley Corp paving contrs</p>
<p>WABASKA DRIVE (Loma Por- tal) 3714 Morris J R 3921 Norris G G © 3927 Caldwell Edgar 3939 Kline E L</p>	<p>WALNUT AV, WEST — West from 3500 1st av 111A Brust M S © 117A Flint J K Mrs © 130A Brown W I Dean E H Mrs Front intersects 204 Fisher J W © 205A Balyeat F S 211A Fay W S © 220A McDowell M J Mrs © 246A Case N B Mrs © McLean M G Albatross intersects 315A Kendall J M © 321A McVey Margt M © 605A Merkle H W © Hawk intersects 1021 Rivkin Melvin 1025 Jones N N © 1041 Coutts L G © Ibis intersects Jackdaw intersects 1300A Dennis V R © Lark intersects Union intersects 1504A Morton H E 1505A Straus S M © 1507 Dewey O L 1509A Hord G D 1511 Latson A C 1512A Lee C T © 1519A Sherrill F T © 1615 Kersten R B 1617 Wood J A Mrs © 1621A Louisan W A © 1623 Reynolds L A 1626A Lenier Hans © 1629A Laird M I 1631A Willenberg W C 1703 Myers Glenn © 1709A Davis H M © 1717 Bentson Lester</p>	<p>WARNER (La Playa) — West from 650 Silvergate av 3623A Carr L W © 3658 Caldwell D G 3705A Zorn K B © 3710A Mom R L © 3741A Bryans N M Mrs © 3753A Howes N E © 3761 Clover Ernest WARRINGTON (Ocean Beach) —Northeast from Wildwood rd, 1 w of 1700 Chatsworth blvd and ne of 3800 Tennyson 1740A Timmons J K real est © rear Yeatts G E 1786A Thompson Gordon © 2120A Chadwick R W ©</p>
<p>WALL (La Jolla) — East from 7879 Girard av, 1 s of Pros- pect 1002A La Jolla Public Library 1019A Barnowski F J chiroprac- tor 1026A Smith C C restr 1028A Conrad Bruce & Co inv sec 1030A Klingele A P jwlr Rinehart's Cleaners & Dy- ers 1032A Rae P C photog 1033A Matlaw A P clo clnr 1034A Gordon Ruth M library 1037A Jones B F liquors 1039A Payne A G Mrs antiques 1041A Zimmerman R F plmbr 1044A Security Trust & Savings Bank of S D 1047A Anderson Janette E drsmkr 1049A Adams Realty Co 1051A Blue Seal Laundry Service Herschel av intersects 1111 Scales M B Mrs drsmkr 1115A Stephen-Hassard Q M dentist 1117 Atchison R L A Seeber Beulah M 1118A Smith M R Mrs real est 1119A Lane I C Mrs int dec 1120 Ogden W W shoe repr Shannon F W shoe shiner 1122A Kessling A F gro 1123A Radio Service Laboratory 1124A Goucher A E Mrs beauty shop 1125 Williams J M © 1128A McLaughlin J L A radio eng</p>	<p>WASHINGTON (Mission Hills) —East from 4000 1st av 105A Mission Dry Cleaners 109A DuBois H N © 117 Vacant 119 Vacant 120 La Lanne Leone Mrs 121 Richard A R chiropractor 126 Corder Myrtle Mrs 128 Lucas Eulalia M 130A Walter W A © 132 Las Dos Palmas Apart- ments Dent G C 137A Clifford J W gas sta A Stauffer E D auto repr 144A Mitchell Glenn real est 180 Bakery C E gas sta 3d av intersects 302 Stalmer R G used cars 305 Stalmer R G autos 330 Casa De Oro Apartments Ekern Sidne Mrs A Haas C R Johnson H W A Pizza Norman</p>	

KETTNER BLVD 1938

<p>800 KETTNER BLVD—Cont 2119 De Falco Etienne Mrs wines Pacific Beverage Co bottlers 2136 Benton Roof & Paint Co 2151 Canepa Lorenzo ivy intersects 2220 Vacant 2227 Asaro Frank 2228 Goughnour O Q mfrs agt Schuster R P whol gro 2229 Cavella Saml 2251 Cresci Gaetano 2253 Ahoto Frank Juniper intersects 2308 San Diego Macaroni Mfg Co 2321 Zolezzi Josephine Mrs (o) 2327 Massa Laurie (o) 2328 Hernandez Antonio Martin Raymond Sabatini Dominico Sanchez Viviano 2330 Pena Juan 2345 De Santi Leo 2347 Vitrano Josephine Mrs 2358 Standard Furniture Co Kalmia intersects 2401 Vacant 2419 Castagnola Louls (o) 2433 Ellippone Thos 2435 Vacant 2448 Sanfilippo Antonio (o) Laurel intersects 2521 Young Otto (o) 2548 Hazard R E & Sons contrs Maple intersects 2601 Richards C J 2603 Everard F R 2605 Reed W J 2607 Pearce D A 2609 Zerbst C F 2611 Halvorsen John 2621 Vacant 2651 Ortiz J M 2653 Cerda Mabel Mrs 2656 Barth Foundry & Machine Co 2690 Slebert S R mach Nutmeg intersects 2700 Reinohl H J Special Serv Flooring Corp Olive intersects 2805 Ghio Matteo (o) 2806 Agnew R J 2808 Calkins L B Mrs 2812 McQuoid L R baker 2815 Zolezzi J B (o) 2825 Massa Louis (o) Palm intersects 2941 Copley David 2942 Mellieur W A (o) 2953 Gordon A G Mrs (o) 2958 Leesman G J 2960 Smith H F 2962 Vacant Quince intersects 3002 Colombo Fidel 3017 Vacant 3017 1/2 Phillips Philip 3019 Wood J J 3027 Speier Jos 3029 Le Blanc S J 3031 Duncan Arth 3033 Carnes Sally Mrs 3040 Hays Robt 3041 Renzulli Louis 3042 Trujillo Canuto 3043 Tucker G H 3045 Smith D W Redwood intersects 3105 Koehler Amella Mrs (o) 3109 Dlnver C D 3111 Ireland J L 3113 Contreras P J 3125 Melching W E 3136 Ace Lumber Co 3155 Ace Building Co 3165 Ace Plumbing Supply Co Spruce intersects</p>	<p>3206 Thompson J D gas sta 3207 Thompson J D (o) 3242 Morton Chas 3245 Dutra John 3247 Inscore W C Sassafras intersects 3300 McCormick Margt 3302 Vacant 3304 Fisher J L restr 3308 Fisher J L 3338 Shrlne Court Leonard E W 3340 Chase Stewart 3342 Vacant 3344 Vacant 3346 Vacant 3348 Vacant 3370 Duggins Russell Kettrick E E Soares Manuel (o) Thorn intersects 3441 Davies W E jr 3452 Mitchell John 3455 Brown J D 3455 Lewis John (o) Medina Jos 3466 Joaquin Jos Upas intersects 3500 Century Lumber & Mill Co 3521 Austin C E 3527 Jones P W F 3531 Vacant 3533 Marek Jos Vine intersects 3550 Solomon Jacob gas sta 3553 Thomas E F 3575 City Fire Dept Sta No 20 Walnut av intersects 3605 Rury M M Mrs 3607 Cavendar J L 3609 Weir P B 3611 Fillette Eug restr 3619 Laidley R B 3631 Entwisle J J 3637 Slavin J T Chalmers intersects 3663 Reynolds P A chiropractor (o) 3667 Taylor W E (o) 3667 1/2 Jury Cora Mrs 3669 Seltz H M 3674 Thompson C V gas sta 3679 Belcher H R 3681 Van Blarcom E Z 3683 Murray Ellz Mrs 3695 O'Donnell H R Winder intersects 3702 Joseph R M McFarland B A Mrs (o) 3730 Peterson T D (o) 3744 Koehl G J (o) Lightening Machine Co 3747 Palomar Lndy & Dry Cinrs Andrews intersects 3765 Davis E A 3767 Hague H C 3779 Silence T E (o) 3785 Halwiak Lucille (o) 3794 O'Neill John 3796 Metcalf Jesse 3797 Fowler E W (o) McKee intersects 3809 Priest A B 3821 Galvin E M (o) 3831 Fouts E L Mrs (o) 3833 Dunlap Harry 3838 Webber R F 3841 Hill H O (o) 3847 Tate Emil 3848 Kulhanek J J Pringle intersects 3857 Vacant 3859 Montague C G Mrs 3865 Taylor J F (o) KING (North San Diego) — Southeast from 750 Lieta KINGSLEY (Loma Portal) — Northwest from 2950 Rosecrans 3021 Jones L E (o)</p>	<p>3022 Engel F M Mrs (o) 3030 Tompkins C L 3035 Rogers G A Mrs (o) 3036 De Carrs Alphonse Locust intersects 3104 Costa M E (o) 3111 James M A Mrs (o) 3114 Reynolds R R 3121 Hall H W 3122 Reese G A 3130 Taylor T J (o) Evergreen intersects KINGSTOWN COURT (Mission Beach)—East and w from Mis- sion Blvd, 8 n of Amusement Center 714 Vacant 718 Brabban Robt 721 Growald H K Mission Blvd intersects 809 McGetchin R S 810 McDade Ray 812 Vacant 814 Payne Edw 815 Elsner J C 816 Vacant 818 Le Neve P R Bayside walk intersects KITE—North from 1 blk s of 1300 W Walnut av 3416 Page J M (o) 3420 Parley W M (o) 3425 Sanft Henry (o) 3430 Hansen C B 3447 Vacant 3450 Hall G T Walnut av intersects 3511 Bell A S 3514 Bennett Jean Mrs 3521 Ruby Saul 3521 1/2 Vacant 3522 Holt N L 3524 Edgar Milton 3527 Smathers F W (o) 3536 Chabot A E (o) Brookes av intersects Puterbaugh intersects 3621 Warner G O (o) 3625 Bouvet M B 3635 Bishop H C (o) 3637 Hayes J D Mrs (o) 3648 Barnes Ford (o) Torrence intersects 3647 Gordon J A (o) 3651 Deering J E 3653 Young T L H 3655 McCutcheon R N Temple M O 3657 Crittenden T T (o) 3665 Vacant 3668 McKelvey R J (o) 3673 Holland H J (o) 3676 Theobald C W (o) Pennsylvania av intersects 3704 Vacant 3705 Stronsky C W 3710 Warfield Kenneth 3713 Motes J H 3719 Cones H N 3724 Buckman E A 3727 West I C Mrs 3728 Kellough W F Sutter intersects KLAMATH AV (Pacific Beach) —North from 2200 Lorin KLAUBER AV (Encanto) — North from 6500 Bach av 1002 Landis R G Wren begins 1109 Brawer D C 1161 Schott L A Mrs (o) 1162 Dahl C J (o) 1189 Suchow W E (o) Sparrow av intersects 1259 Mitchell R L 1320 Dunn R R Jr 1322 Dunn M E Mrs</p>
--	--	---

CALIFORNIA ST 1938

1611 Rosso F A	4509 Haynes Jos (o)	3005 Castagnola Mary Mrs (o)
1615 Vacant	4525 Agilla A F	3015 Busco John (o)
1621 Edmands A C	4536 Corrin R D (o)	3043 Castro Ramona Mrs
1628 Nash N S	4541 Cormack T H	Redwood intersect
1641 Krettler Lawrence	4546 McDougal A C (o)	Spruce intersect
Coronado av intersects	CALHOUN (Old Town)—North-	Thorn intersect
1667 Bradley C C	west from 4050 Harney	
1675 Montgomery E W	2660 Baldaugh Chas	3449 Talbot Frank battery m
1676 McCreight R L	2662 Haas Chas	(o)
1679 Vacant	Mason intersects	Upas intersect
1681 Langlois C H	2734 Buok Albt	Vine intersect
1684 Lancaster M W	Wallace intersects	Walnut av intersect
1685 Lewis Manuel	Taylor intersects	2607 Oliver F M Mrs
1690 Brown T F	3226 Fillet John	2619 Salceda Miguel
Santa Cruz av intersects	CALIFORNIA—North from 800	2625 Stanton John
1720 Atkins F J	W Market to Witherby	2645 Ivcevic Paul (o)
1722 Eber R J	1443 Vacant	Bean end
1726 Vacant	1445 Vacant	Chalmers intersect
1727 Leary J H	1447 Vacant	Winder intersect
1730 Vacant	Beech intersects	3719 Cleveland W A
1735 Vacant	1506 Daleo Jos	3721 Mello J A
1743 Musso L J (o)	1518 Sellers Geo	3725 Dudley Jesse
Del Monte av intersects	1560 Allen L J whs	3727 Wronick W J
1756 Connor W A	1564 Allen L J marine salvage	3729 Holloway L E
1768 Carter C W	1568 Vacant	3731 Burke W P
1768 Bordeaux Lafayette	1612 Aleto Jos	Andrews intersect
1776 Francis G H	1616 Brown H C	3751 Five Points Auto Court
Marcelk S J	1616 1/2 King G H	Clark H H ins agt
1779 Isackson O V	1616 1/2 Kearney N A Mrs	3777 Andrews T N billiards
1780 Thaden E L D	1620 Melanese Andw	3779 Milburn F R pimbr
Narragansett av intersects	1620 1/2 Vacant	3781 Slms Irene Mrs beauty
1821 Davis A E Mrs (o)	1630 Thompson Beatrice	shop
1844 Balmforth A J (o)	1632 Yslaba Benita Mrs	3785 Mills J M drugs
Niagara av intersects	1634 Drawn J J	3787 Cook E L Mrs
1852 Jacobs Grant	1636 Miramontes Frances Mrs	3789 Mooney T S phys
1856 Calandrino Saml	Date intersects	3789 1/2 Terrill G E
1857 Claxton M C	1804 Stillson F B (o)	3791 Bryenton F V barber
1859 Schackelford C O	1804 1/2 Grossl Gaetano	3793 Solari Frank restr
1862 Oliver Jas (o)	1808 Riddell H W (o)	3795 Bell A J gro
1869 Peltcher C H pimbr	1824 Vacant	3795 1/2 Vacant
Newport av intersects	1842 Pirano Salvatore (o)	McKee intersect
1911 Tipp L A (o)	1930 Giamanco Jos	3805 San Diego Motor Inn
1919 Webster H T (o)	1932 Bologna Pietro	AGilbert W S (o)
1929 Sixth Church of Christ	1940 Di Maggio Sebastiano	3805 Frey I S
Scientist	1943 Buompensiero Frank	3810 Waiter L M gas sta
1944 Driskill C D (o)	1954 Alioto Anthony	3811 Balne E M Mrs
Santa Monica intersects	Grape intersects	Irey I S
Saratoga av intersects	Hawthorn intersects	3817 Engl A L
2003 Halvorsen A B	Ivy intersects	3819 Harsha M E Mrs (o)
2007 Thompson Thos	2206 Gangitano Antonio	Clayton end
2011 McAllister W J	2224 Ellis Daisy Mrs	3821 Smith D L
2015 Fitzpatrick J J	2230 Arellano Victoria Mrs	3827 Dyckman D B
Cape May av intersects	2244 Pontecorvo Bertha Mrs	3831 Oberbauer Anthony
2024 Nelson R A	2246 Acosta Peter	3833 Briggs Roy
2070 Darnell R L	2246 1/2 Varela Anita Mrs	3835 Cruse J O
2075 Vacant	2250 Salmon Parquino	3836 Clay Cassie Mrs real est
2076 Austin M L	2250 1/2 Aguirre Bernarda Mrs	Clay Chas
2090 Currier O L	2272 Salmon Joaquin	3850 Dyckman D B baker
Brighton av intersects	2280 Gaxiola Antonia Mrs	3870 Luscomb R E tourist camp
2101 Askew B E (o)	Juniper intersects	McCoy Henry
2111 Jones G M	Margarito (o)	3878 Bay View Auto Camp
2120 Hayman R W	Kalmia intersects	Blrkett Minnie Mrs
2121 Michael M H (o)	2402 Vacant	Le Roy E C gro
2130 Vacant	2416 Estrada Clemente	Solari Frank (o)
2131 Phelps N B (o)	Gomez A B	Sutherland intersects
Long Branch av intersects	2424 Gomez Antonio	La Jolla av begins
2143 Gladin L C	2430 Garcia Jose	Stone begins
2149 Vacant	Gomez Manuel	Pringle begins
2152 Jones E L	Gonzales Augustin	3917 Lockwood F H Mrs
2154 Ferris E B Mrs (o)	Sotelo Jesus	3919 Knudson Emma Mrs (o)
Muir av intersects	2440 Atayde Apolonia Mrs	3929 Gainer O C
2180 Vacant	Cortez Alex	3931 Goforth E C
2181 Rasmussen A J	Samora Jos	3938 McKalsen E L
Voltaire intersects	Laurel intersects	3942 Jackson Andw (o)
2216 Rodgers T S	2554 Stagnaro Bartol	3965 McDougal D C jr
West Point Loma blvd intersects	2560 Stagnaro Antoinette Mrs	3971 Maze M E Mrs
CABRILLO AV (La Jolla) —	(o)	CALIFORNIA, WEST — From
North from 1 blk s of 1300	2572 Palestini Palma Mrs	Henry w to Witherby, contin
Pearl	Maple intersects	uation of California
7427 Brown W P (o)	2801 Murphy J E (o)	1907 Kohl C N (o)
7441 Hazeton G K	Palm intersects	2005 Hewitt C B (o)
Johnston W R	2921 Harper Lucy Mrs	2011 Gabbs L M Mrs
Pearl intersects	2929 Ferguson S H	2017 Beetlestons R H (o)
7591 Dorr F R (o)	2941 Garcia Ramon	2025 Kelley C S
CAJON WAY—North from 5400	2960 Beers S F	Wright intersect
Madison av	2970 Vacant	2044 Collins V D Mrs
4504 Munro J F (o)	Quince intersects	2049 Butzow T F

COLUMBIA PL 1938

<p>780 COLUMBIA—Cont 1522 De Maria Peter 1522½ Principato Angelo 1525 Cale H R 1527 Willis J W 1528 Giacalone Jos 1529ΔSmith N H Mrs (o) 1530 Daleo Jasper 1531 Light C J 1542 Soiman W H 1543 Cadina Jos 1544 Mercurio Thos 1545 Scardino Jacob 1547 Brenha Jos 1549 Berger Adolph (o) 1555 Dix R T Toston G T 1557 Balbaia Peter Ballatore Matteo (o) 1572 City Fire Dept Sta No 6 W Cedar intersects 1619ΔLarson S A (o) 1619½ Black T H 1637 Vacant 1641 Vacant 1642 Asaro Andw Racho Manuel Zottolo Jos 1645 Benoso Moises 1647 Ryffe Elmer 1661 Hirth Herman (o) 1669 Pilolla Vito Rev W Date intersects 1711 Perrone Anthony 1721 Armendariz Martin 1722 Oritano Vincent 1725 Gonzales John 1726 Giaccone Matteo 1741ΔLograsso Laurence (o) 1746 Cayton J L Frey Theo Harris H L ΔRohde Edw plmbr Russell W E 1758 Cocco Pete 1760 Ghio Dominic (o) 1762 Siroc Chas Wynes R D 1764 Rendino Francisco Elm intersects 1812 Cunningham Russell Ector C C ΔSwain Mary Mrs (o) 1824ΔTarantino Pietro rear Busalacchi Antonio 1833 Harris A M Mrs (o) 1836 Gale Anna Mrs 1839 Sarguisa Jos 1840 Asaro Madeline 1843 Asaro Jos Brancaleone Anthony Zolezzi Steph Fir intersects 1907 Inacio Salvador Kenniston Anthony Olivera Antonio Santos Manuel 1918 Asaro Jos 1919 Carreo Frank 1920 Rebelio Manuel 1922 Oliveri Jos 1924 Stagnaro Geo 1926 Ballistriero Antonino 1928 Busolacchi Cosimo 1929 Vacant 1931 Francisco Aurelio 1942 Vacant 1943 Bruner Mary Mrs (o) 1953 Benthall W L 1959 Di Biasi Saml barber 1965 Lopez Frisillano Grape intersects 2011 Massieu A L gro 2015 Poing C D 2032ΔBuonpensiero Anna Mrs Corrao Jos Daquisto Tony 2034 Schmucker Anna E (o) 2041 Schmalenberger W R 2043 Pinault Eugenia Mrs 2043½ McDermet V E 2044 Eastwood Apartments Brooks Laura E Burns J L</p>	<p>Gould E B Hogan L T Joffe L L ΔRank E H (o) Sterne H W Stout C G Turlington D C Mrs 2051 Gurano Peter 2053 Ballatore Albt 2054 Buono Jack (o) 2064 Gangitano Michl 2066 Di Cola Dominic Sardina Jos Sardina Pietro 2071 McPhee E S Mrs (o) Hawthorn intersects 2118 Carpenter A A 2121ΔAnfuso Carmeleo 2130 Dalfio Salvatore 2133 Spinoli Dominic 2135 Buonpensiero Salvator 2136 Bregante Anthony Jr 2137 Campbell A B 2141 Canfield A E 2146ΔBregante Cath Mrs (o) 2154ΔBusalacchi Jos 2155ΔBenner R P (o) Puccio Pietro Trevisani Victor 2168 Stagnaro Paladino (o) Ivy intersects 2201ΔNigro Victor Oliveri Jas (o) 2203 Vacant 2215ΔMalaivenda P V 2219ΔZolezzi J E 2233 Hill E E 2235 Giacalone Gina Mrs 2239 Breto Gus 2241 Vacant 2245ΔColini Guiseppa (o) 2260ΔFoster and Kleiser Co outdoor adv Juniper intersects 2303ΔSanfilippo Dominic (o) 2312 Lococo Pasquale (o) 2314ΔNeill J A (o) 2316 Chamberliand J H 2317ΔCrivello Mariano (o) 2326 Parmigiani Beatrice Mrs (o) 2328 Parmigiani Rocco 2333 Montijo Francis 2343 Pizzo Saml 2345 Case C B 2348ΔQuinn W S (o) 2349 Austin C R 2350 Eotin Dewey 2351 Palmer Margt Mrs 2353 Batson R V ΔMacDonald H H Murray E R Nosari E E 2355 Galbrith J B 2357 Sharpton W G 2358ΔSchaniel Nicholas 2363 Brown Jos 2365ΔYoung L O Kalmia intersects 2416ΔNavarra Carlo (o) 2429ΔPalmer E W (o) 2441 Quinci Paul (o) Laurel intersects 2518 Sanfilippo Andw 2520 Sanfilippo Peter 2532 Maugeri Salvatore 2540 Crivello Jack Maple intersects 2601 Petersen Alf 2603 Ranney G P 2619ΔKenyon Arth (o) 2620 Neurerburg Maude Mrs (o) 2621ΔSmith D F 2629 Lawrence A W (o) Schultz E K 2630 Guigliamenti Anthony 2636 Vacant 2638ΔBryan Marion 2639ΔHusband R F 2640 Kropp L H 2642 Vacant 2653 Hunter W A</p>	<p>2655ΔHass W A 2657 Wussow E R 2664 Rhein Theo (o) 2666ΔFowler M G Mrs 2669ΔRemick J K (o) Nutmeg intersects 2703 Webb Hazel 2705ΔJones V M Mrs (o) 2715 Walters G L Mrs 2723 James Orval 2727ΔBarber J S W 2730 Middlebrook H Caroline (o) 2732ΔHavens Pauline Mrs (o) 2741ΔMay John (o) 2744ΔMiddlebrook L R Mrs (o) 2753ΔTraggardh R M Mrs (o) 2756 Jones W L (o) 2768 Germo D H 2773ΔSimmons E S Mrs (o) Olive intersects 2811ΔDay F H 2816 Allen Beatrice Mrs (o) 2818 Hummel R J 2830 Griffiths Mollie Mrs (o) 2840ΔHowell S W (o) 2864ΔRodefer Ethel Mrs beauty shop Tetlow Ida Mrs (o) 2869ΔChamberlain F H Palm intersects 2930 Morrison R F 2939 Mitchell Beatrix Mrs (o) 2940 Bibb R V 2954ΔDecker H L 2955ΔJulien J D 2964ΔNorris J R 2965 Webster M D Mrs Quince intersects 3002ΔJumper F F (o) 3018 Clarke Annette M 3040ΔAtchison T N 3062 Ulery L M Wood M A Mrs 3066 Green W J 3068 Brazil V W Redwood intersects 3225ΔYale A W (o) 3242 Vacant Sassafras intersects 3319ΔRicen E M 3320 Adams Pauline Mrs (o) 3321ΔSulis Agatha L (o) 3330ΔMiller R G 3343ΔWosk L D 3344 Ross J L 3345 Fox Angie L 3347 Whitmore F R (o) 3364 Heimer R T 3366ΔDorgan L T 3370ΔTopping F C Thorn intersects Upas intersects 3504ΔSteadman O J (o) 3515 Seigleman Saml 3517 McCusker G C 3528ΔSmith R M (o) 3531ΔKendrick J L 3535ΔMacLennan Donald 3538 Bowling Herbt 3545ΔWilson Louise F Vine intersects Glenwood dr intersects Chalmers intersects 3615ΔFleming E G (o) 3652 Williamson Mona Mrs 3661 Gray G B Grigsby J R Mrs 3662 Starbeck R A 3663 Johnson J R 3667 Mayes L E 3669 Weeks C D 3670 Vacant 3677 Barnett E J (o) 3678 Adams H D 3680 Klingenberg R D 3685 Nitschke Gustav (o) 3686 Evans S C Staley D S 3687 Vacant Wellborn begins Winder begins</p>
---	---	---

GLENWOOD DR 1938

<p>GIRARD AV—Cont 7872ΔMacBratney Kyle optom ΔOlson A B jwir 7874ΔBradardic Steve restr 7875 Watanabe H K fruits 7877 Granada Theatre 7880ΔGuffre Jos shoe repr Shannon F W shoe shiner ΔThompson Peter liquors 7881ΔUller's Inc women's clo</p> <p style="text-align: right;">Wall begins</p> <p>7882 Bray C M gro 7884 Bray C M meats 7888 Higdon C A notions 7906 Arcade Building Baird L P barber Betts Arth tailor ΔClark & Ypma beauty shop Hill R E real est ΔLazelle H G phys 7906½ΔCotsones Geo confy 7912ΔPatz T M gro 7915ΔLipe J T phys ΔParker T A phys 7916ΔMartin E A drugs 7920ΔMehas G E restr 7921-25ΔSmith J F dry gds 7927ΔWestern Union Telegraph Co 7929ΔAndrews M L Mrs beauty shop 7931 Vacant 7933 Ballam G E Mrs antiques</p> <p style="text-align: right;">Prospect intersects</p> <p>8002 Vacant 8004 Vacant 8008 Standish Leita Mrs restr 8045 Vacant 8047 Vacant</p> <p style="text-align: right;">Coast blvd intersects ft of La Jolla Athletic Park</p> <p>GLADIOLA (Pacific Beach) — East from Pendleton, 2 n of 2300 Beryl</p> <p>GLEN ROAD (Encanto)—North from 550 Kenwood</p> <p>GLENDALE AV—North from 2550 F to Broadway 811ΔSimmons W W 812 Davidson A C (o) 821 Riffel Chas 822 Amsteln Adolf Rev (o) 825 Thayer E F (o) 827 Lewis Louis 835 Yenrich Noah (o) 836ΔSheetz Louis 841 Derby G M (o) 845 Carl J W</p> <p style="text-align: right;">E intersects</p> <p>912 Nosler A M (o) 925 Eastman Goldie Mrs (o) 927 Vacant 942 Hopkins C R</p> <p style="text-align: right;">Broadway intersects</p> <p>GLENFIELD—Southeast from 4300 Manzanita dr 3136 De Koven S E (o) 3148ΔHochart G H (o) 3154ΔVanderpool Louis (o)</p> <p style="text-align: right;">Manzanita dr intersects</p> <p>GLENWOOD (Pacific Beach)— East from 4100 Dalton, 1 n of Rosewood</p> <p>GLENWOOD DRIVE — West from 3570 Union 1500 Snorf J E 1500½ Sickler Chas 1502 Norstrom Paul 1504 Stafford Mary Mrs 1506 Ramsey Edmund</p> <p style="text-align: right;">State intersects</p> <p>1602 Kershner E F (o) 1605 Tenbroek H A (o) 1610ΔMercurio Mary Mrs (o) 1616ΔDaly J G (o) 1617 Wood Jessie Mrs</p>	<p>1624 Beckett Aubrey (o) 1630 Barrett M A Mrs 1633 Welch Lee (o) 1702 Severanca Cassell 1704 Bruce F D 1708ΔBenner C A (o) 1712ΔSherman L J Mrs Wagner C F 1716 Guerlin John Mooney M C 1716½ΔCouslins F L 1720 Holmes J D 1720½ Kay H L 1722ΔTheis D A 1722½ Smith L J 1724ΔGoodson H M 1724½ McDonough S P</p> <p>GLOBE (North San Diego)— North from 1 blk s of 3500 Bisbee</p> <p>GLORIA—South from Franklin av bet S 48th and S 49th 307ΔVinyard F A (o) 325ΔKnox V C (o)</p> <p>GOLDEN GATE DRIVE (Mis- sion Cliffs)—East from 700 Madison av to Campus av 1111ΔFay S A (o)</p> <p style="text-align: right;">Delaware av ends</p> <p>1205ΔHall S F Mrs (o) 1211ΔStebbins L M Mrs (o)</p> <p style="text-align: right;">Harvey rd begins</p> <p>1219ΔBeale E W (o) 1229ΔNorwood G J (o) 1235ΔStanton L A Mrs (o) 1240ΔGerken H J 1245ΔPfanstiel J G</p> <p style="text-align: right;">Maryland intersects</p> <p>1403ΔCorbin D E 1404ΔNewsom B L Mrs (o) 1412ΔFarrell N J 1413ΔHaw H H (o) 1419ΔRadoloff H L (o) 1420ΔLutton W H 1429ΔWoodard J M 1430ΔShankland B L (o) 1433ΔMcElroy A J Mrs Wilson S A Mrs (o) 1443 Fitzpatrick W C 1444ΔRumbaugh H K (o)</p> <p style="text-align: right;">Cleveland av ends</p> <p>1529ΔBush J F 1538ΔHewes S B</p> <p style="text-align: right;">Campus av intersects</p> <p>4501ΔMason S E (o)</p> <p>GOLDEN PARK AV (La Playa) —North from 1 blk s of 3300 Lucinda 820ΔShropshire W B (o) 845ΔMorton F F Mrs (o)</p> <p style="text-align: right;">Lucinda intersects</p> <p>GOLDFIELD (North San Diego) —Northeast from 400 Georgia 2703 Wemple R T (o) 2727ΔGeorgia E G (o) 2731ΔLong T S (o) 2747 Warner E J (o) 2748 Ackert C M (o) 2753 Briggs C S (o) 2765ΔWalruff E A (o)</p> <p style="text-align: right;">Ashton intersects</p> <p>2811 Garvey C B (o) 2819 Crawford T O (o) 2827 Gillespie Louise Mrs (o) 2835ΔShelton M J (o) 2843 Hedge W A (o) 2851 Barclay Josephine Mrs (o) 2863 Key Rowan (o)</p> <p style="text-align: right;">Napier intersects</p> <p>GOLDFINCH—North from 3050 Horton av bet Hawk and Falcon 3205ΔBown G A 3220 Shepard F V</p>	<p>3242 Vacant 3254ΔMalone L T 3285 Stokes T M</p> <p style="text-align: right;">Thorn intersects Upas intersects</p> <p>3411ΔMcPeaters C P 3421ΔStevens W P (o) 3437ΔPinnell R L 3447ΔStevenson H R Wakefield R R 3451 Meyera J H (o) 3457ΔCotton W O</p> <p style="text-align: right;">Hawk intersects</p> <p>3740ΔBoyle B F (o) 3748 Melton G L</p> <p style="text-align: right;">Sutter intersects</p> <p>3752 Tarbell G B 3760 Coulton J W 3768ΔWillbur W J C 3769 Erlenhorn O P (o) 3775 Wright A F 3776ΔHyams D J 3781ΔBurns J E 3784ΔWalton E A (o) 3792ΔPeterson W L 3795 Arnold L E Mrs (o)</p> <p style="text-align: right;">Bush intersects</p> <p>3801ΔMentle E L Mrs (o) 3809 Gibbs H E 3817ΔSheldon Alice 3820 Vacant 3820½ MacBride B M Mrs (o) 3825ΔMcCarty J E 3828 Vacant 3831ΔPelt R B (o) 3834 Cate David (o) 3837ΔHill H J dentist (o) 3838ΔMetz W J Rev Stockton Helene Mrs (o) 3842ΔTombler M C Mrs 3901ΔForth H C 3904ΔShukraft J W 3907ΔGoldnamer S C (o) 3910 Vacant 3911 Enholm Chris (o) 3920ΔMcKay A E Mrs (o) 3921ΔThomas M E Mrs (o) 3933ΔDonlevy Clara Mrs 3934 Babcock R E 3936ΔCash Lily M (o)</p> <p style="text-align: right;">Douglas intersects</p> <p>3951 Knudsen A E meats ΔVermillion F J gro 3952ΔEdwards E I 3953 Cash L A Mark Grace Mrs McKay Wm Overholt R E 3957ΔMcPherrin M L chiroprac- tor 3962 Ellenross Apartments Burton G E Cesaric Max Dick H R Donahue Nelle E Dunfee Della Mrs Herrill E R Mrs Lupton J F O'Connor W J Ray Jewel Mrs Smith H W Sweeney H F 3965 Pinwall G J 3967 McAtee J O 3970ΔGoldfinch Apartments Austin M B Mrs Black Anne Bugg Beatrice Mrs Bugg W L Clary W H French Laura Mrs Hulburd Wm Johnson Mattie Mrs Lewis Marjorie Purdy A C Mrs Raney C O Reeves T C 3971 Mahone W P 3974 City Fire Dept Sta No 8 3975ΔNagle D B (o) 3977 McDonough V I Mrs cio clnr</p>
---	---	---

1938 SAN DIEGO DIRECTORY

INDIA ST 1938

SAN DIEGO HOUSEHOLDERS DIRECTORY (1938)

843

1910½ Δ Nicolosi Saml mattress mfr
 1912 Δ Kelley Lndy Co
 1917 Sparacino Max barber
 1919 Civic Theatre
 1921 Δ Misuraco Anthony radios
 1933 Corrao Peter
 1943 Lococo Peter
 1949 Sardino Thos (o)
 1950 Kelley Lndy Co garage
 1953 D'Angelo Angelo liquors
 1969 Δ D'Angelo Angelo
 1970 Johnston Jas billiards

Grape intersects

2008 Mungie Anthony
 2010 Crivello Fred
 2012 Del Anglio Pietro
 2032 O'Connell C J 2d hd furn
 2034 Gangitano Michl shoe repr
 2036 Vacant
 2038 Croft Jeanette restr
 2042 Avilez Ventura
 2044 Weber Geo billiards
 2058 Δ Dewey F I gas sta
 Δ Lee Andw auto repr
 2065 Cohn Rosie
 2067 Hurtado Adolfo
 2069 Guadanys Giovanni

Hawthorn intersects

2101 Whitehouse L W
 2102 Nicolay Theo gas sta
 2107 Sido Bartolo
 2111 Δ Stagnaro Steph
 2115 Vacant
 2119 Bregante J J
 2120 Δ Duffy M J Mrs
 Δ MacKintosh A H
 2138 Vacant
 2140 Btter I B
 2141 Roiz Henry
 2144 Greene L T
 2146 Sequoia Court
 Vella John
 2148 Strazzulla Don
 2150 Badilla Frank
 2157 Δ San Diego News Co
 2159 WPA Sewing Project

Ivy intersects

2202 Asaro Andw (o)
 2206 Vacant
 2270 Δ Husband R F gas sta
 Δ Thomey J G auto repairing

Juniper intersects

2304 Zolezzi Angelo (o)
 2306 Δ Zolezzi Giovanni
 2307 Δ Safeway Stores Inc
 2313 Vacant
 2314 Lane A P
 2315-17 Women's and Professional Unit of WPA

2316 Δ Alloto John
 2328 Piranlo Pete (o)
 2329 Δ Szalinski Frank (o)
 2346 Δ Philipsen Laura Mrs real est
 2347 Lutz C L
 2349 Vacant
 2352 Denison W H mattress mfr

2355 Δ Lutz C L auto repr
 2361 Vacant
 2367 Δ Wicker N O drugs

Kalmia intersects

2401 Vall I T gas sta
 2402 McDonough V I Mrs clo clnr
 2420 Δ Cordilion Benedict (o)
 2444 Asaro Andw
 2446 Sardo Saml (o)
 2458 Δ Frontiera Bartola (o)
 2466 Lluzzi Jas

Laurel intersects

2504 Crist Marie E
 2508 McKenzie Rodney
 2513 Nelson K G
 2518 Theodore J S
 2528 Mellos G J
 2530 Culwell O L
 2532 Tuma R D
 2540 Mawson Harry
 2544 Millen Arth
 2548 Δ Luizzi Nick (o)

2554 Δ Sabatini Dominic (o)
 2566 Kennelly H J
 2568 Δ Haley H B (o)

Maple intersects

2602 Rowe M M (o)
 2615 Medley Margt Mrs
 Reinke P E V
 2622 Cardani E C
 2624 Δ de Necochea J E
 2628 Johns E J
 2630 Δ Moran J D (o)
 2657 Embler L F
 2659 Hawks J B
 2663 Δ Kenyon V V Mrs (o)

Nutmeg intersects

2701 Harris L B Mrs
 2742 McNeese J F (o)
 2742½ Kitchen H E
 2747 Horton E J
 2764 Jones J H photo engr (o)

Olive intersects

2801 Vacant
 2804 Gardner Steph (o)
 2805 Wallin C M
 2815 Gascolgne Thos
 2828 Cicalo John
 2828½ Basile W W
 2840 Δ Cicalo John gro
 2840½ Vacant
 2848 Vacant
 2848½ Shumaker Carl
 2849 Rauscher E W (o)
 2867 Henning A T Mrs
 2869 Bondwin Albt

Palm intersects

2903 Vacant
 2905 Grindl Antone
 2905½ Downey E J
 2907 Vacant
 2909 Vacant
 2915 Booty Mary J
 2921 Sloan W P
 2921½ Vacant
 2923 Δ Sharp P T
 2927 Δ Hart F May (o)
 2932½ Aubert M A Mrs (o)
 2932 Canepa Gravani
 2934 Astmann Irvin
 2936 Vacant
 2940 Δ Bisby C F Mrs (o)
 2942 Vacant
 2944 Short Cecil
 2945 Δ Schnell A P
 Δ Schumacher Emma Mrs (o)
 2952 Beard J H
 Δ Finnegan Virginia Mrs
 Goularte H C Mrs (o)
 Scuito P G
 2955 Taunt M H

Quince intersects

3002 Δ Renner Ida (o)
 3002½ Hogan J L
 3009 Δ Silva Jos
 3014 Thoman E L
 3016 Webb Irvin
 3016½ Vacant
 3020 Δ Bay View Apartments
 Hogue H H
 Hunkapillar Bemen
 Kennedy Frank
 Shirreff W H
 3040 Chase C S
 3042 Smith Bessie
 3044a Formella Stanley
 3044½ Vermilya J W
 3046 Welsh Douglas
 3048 Dravoso Jos
 3053 Whitney O L
 3054 Grady M E Mrs
 3056 Δ LeClair E L Mrs gro
 3058 English W R
 3060 Green E V

Redwood intersects

3114 McIntire T C
 3116 Uran P A
 3141 Goldie Isabel Mrs
 3153 Utter W A
 3167 Hughdahl Birger
 3171 Vacant

Spruce intersects

3222 Δ American Clnrs
 Montgomery R M

3256 Castaneda Candido
 3260 Martinez Dlego
 3265 Vacant

Sassafras intersects

3325 Bentz J H
 Brothers Geo
 Δ Puffley R L (o)
 3341 Plesierre Manuel
 3341½ Homberg H R
 3343 Seaser S J
 3343½ Watkins W C
 3345 Herchold Walter
 3347 Garrett H E

Thorn intersects

3460a Bradley A M
 3460b Hagen Wilbur
 3460c Boyajin Paul
 3460d Holden G F
 3462 Loven R E
 3462½ Riley J H
 3464 Boyer Ernest
 3466 Δ Dingeman F J jr phys (o)
 3468 Allen R J
 3472 Griswold W J
 3472½ Hislop E F

Upas intersects

3512 Dougherty Patk
 3519 Δ Lamoreaux P W (o)
 3529 Δ Wilcox R J
 3536 Englehart J R
 3537 Δ Lacey D S trusses
 3538 Maxwell E A
 Δ Shumate June Mrs
 3540 Δ Campbell J A (o)
 3541 Madero Antoinette Mrs
 3549 Δ McIntosh Christine Mrs

Vine intersects

Glenwood dr intersects
 Walnut av intersects

3616 Tarver Jules (o)
 3620 Δ Page S M Mrs curios
 3642 Baxter F W barber
 3649 Δ Kelly S L plmbg supps

Chalmers intersects

3661 Δ Green B C gas sta
 3662 Mohr R B
 3664 Kane Henry
 3667 Vacant
 3675 Haley Linnle Mrs gro
 Hamilton Maxie
 3682 Kutzke Karl
 3684 Wordsworth Fred
 3688 Himel E P
 3690 Callear J A
 3692 Vacant
 3697 Δ Harrington T M Mrs gro
 3698 Martyn V E
 Δ McPherson Susie Mrs

Winder intersects

3701 Δ Robinson Maud Mrs
 3702 Δ Loring A P design studio
 Δ Loring and Co
 Δ Wallen H F furn mfr
 3711 Δ Stailings Castella Mrs (o)
 3719 Burgsten R E (o)
 3731 Δ Smith C H Mrs (o)
 3735 Δ Becker John
 3741 Bunn B M
 3745 Δ Genoris Geo
 Parker Philip
 3749 Vacant
 3779 Δ Meserve S C (o)

Andrews intersects

3792 Δ Cannon R Mamie

INDIANA—North from 1800 E

Upas
 3503 Δ Burgster J B (o)
 3514 Δ Thackery W E
 3515 Armin K D Mrs
 3517 Lemon L M
 3524 Δ Foster Frank (o)
 3528 Δ Arnold Rosalie
 3537 Δ Breazeule W W
 3538 Leslie Malcolm
 3541 Δ Edson M B Mrs
 3544 Isle C J
 3546 Δ Shaw W E
 3547 Δ Scott Gillilan music tchr
 3548 Δ Holeman K B
 3549 Δ Conwell H F Mrs
 3551 Brown J A Mrs

PACIFIC BLVD 1938

<p>OSBORNE—Cont 2120 Vacant 2160 Herar L F</p>	<p>1120 Arnold D A rear Vacant 1145 Mitchell K I Mrs (o) 1173 Diamond N W (o) 1175 Diamond E E Mrs (o) McGlushan C E Mrs</p>	<p>2521 Friedhof S B restr 2535 Miller B E gas sta 2665 Erickson H A photog 2775 Vacant</p>
<p>OSPREY—East and n from Sun- set Cliffs blvd to Cornish dr 4425 Hanson M T Mrs (o) 4468 Wilholt J W</p>	<p>1284 Crimm Virgil</p>	<p>Olive intersects 2780 Municipal Airport United Air Lines Trans- port Corp Western Air Express Corp terminal</p>
<p>OSTEND COURT (Mission Beach)—East and w from Mis- sion blvd, 20 n of Amusement Center 718 Culley G O 723 Edgerton L D 724 Lynch T J 724 1/2 Sanders Louise Mrs (o) 727 Vacant</p>	<p>Everts intersects Fanuel intersects 1312 Barlow J H 1314 Burnette C M (o)</p>	<p>2830 Airtech Plying Service Ltd Palm av intersects</p>
<p>Mission blvd intersects 807 Cowan W W 810 Charlot A E 813 Vacant 814 McDonough Helen Mrs 815 Vacant 817 Harris G B 818 Black E R 822 De Vol Pauline Mrs 823 Vacant 825 Lilley G A 825 1/2 Martin P J 826 Robinson J R 829 Bullock H M 829 1/2 Bullock J C 830 Nelson Gus</p>	<p>Gresham intersects 1405 Dean Elza (o) 1560 York G W (o)</p> <p>Ingraham intersects Jewell intersects 1754 Eaton L K Mrs (o)</p> <p>Kendall intersects 1821 Favel C H (o) 1824 Vacant</p> <p>Sequoia intersects Lamont intersects 1814 Fernstrom L G 1916 Vacant</p>	<p>2905 Jones Alf auto repr Stackhouse H J gas sta 2030 Lindberg Field Ryan Aeronautical Co airplane bldrs Ryan School of Aeronautics San Diego Aero Marine Ra- dio and Navigation Sch Shutter R L Mrs restr U S Air Navigation Divi- sion of Facilities U S Air Regulation Division U S Airport Office U S Weather Bureau Air- port Sta</p>
<p>OTAY (Encanto) — North from 700 65th 708 Gibian Eric 709 Smith Robt 710 Roberts G C 712 Conklin G A Mrs (o)</p>	<p>PACIFIC BLVD — North from: 900 W Market, 2 w of Kettner blvd ft of Santa Fe Wharf City Fire Dept Sta No. 16 International Longshore- men's Assn Local No 389 San Diego & Coronado Ferry terminal United Water Taxi Co Southern Commercial Co</p>	<p>3302 Consolidated Aircraft Corp 3305 Rio Grande Oil Inc Shipkey & Pearson Inc oil 3355 Hancock Oil Co of Calif Larabing-Murphy Oil Co 3359 Hancock Oil Co serv sta</p>
<p>OTSEGO DRIVE — North from 450 W Walnut av</p>	<p>1331 Vacant</p> <p>Ash intersects: 1405 Standard Stations Inc gas sta 1445 Rutsch H A gas sta</p> <p>Beech intersects 1505 Union Service Stations gas sta 1533 Civic Center Cafe 1535 Laurenzo J V (o) rear Vacant 1569 Vacant 1571 McFarland W A (o)</p>	<p>Thorn intersects 3401 McAnally C R restr 3535 West A B gas sta 3641 Patillo Americo</p>
<p>OTTILIE PLACE (East San Di- ego)—East from 51st to 52d, 1 s of Orange av</p>	<p>Cedar intersects: 1615 Vacant 1625 Yuma Merchants Express Co 1631 Makris Christ restr 1635 Romero R B 1647 McCormick M H McCormick W H 1655 Bonansea John Castaneda John 1729 Gomez Manuel 1747 Haulman L W welder</p>	<p>Bean begins 3682 Altshfeld Oil Co 3702 Gonzalez Maria Mrs 3714 Mosley A G 3721 Glock P M Rogers L B 3726 Stanley L S 3733 Rogers L B restr 3733 1/2 Benson H N 3738 Stanley N J (o) rear Stanley A A 3748 Tarr A B gas sta</p>
<p>OUTLOOK DRIVE (La Jolla)— East from s end of Cabrillo av</p>	<p>Elm intersects: 1801 Shelton W H 1825 Ruiz Julio (o) Ruiz Julius 1833 Giacalone Gaetano 1889 Tucker John 1893 Pavkovich Nich 1905 Vinyard F A chtmkr 1917 Buompensiero John (o) Buompensiero Mateo 1925 Vacant 1943 Tarantino Thos 1971 Sanfilippo Lorenzo</p>	<p>Haraathy begins 3753 Harlow & Crawford gas sta 3787 Johnson C A oil distr Taylor J L gas sta 3788 Peterson H H genl contr rear Anderson Jens</p>
<p>OWEN (La Playa)—West from 500 San Antonio av 2939 Johnson M G</p>	<p>Grape intersects 2045 Baldwin G L oils 2065 Ferris & Joerndt oil products</p> <p>Hawthorn intersects Ivy intersects 2272 Shaw C H gas sta</p> <p>Juniper intersects 2305 Etter I B gas sta Seaside Oil Co 2318 Butane Ltd gas equip mfrs 2375 Vacant</p>	<p>Clayton intersects 3800 Hippe H P restr 3821 Coleman M B Mrs Pickins Jos 3831 Keen K V Mrs restr</p> <p>Sutherland intersects 3853 Copeland Wm confy 3861 Central Meat Markets Inc Moore A H fruits Van's Mkt gro 3885 San Diego Tile Co 3896 Sheffield E F vet surg</p>
<p>ROSECRANS INTERSECTS 3120 Strawn A E Mrs (o)</p> <p>OZARK, NORTH (Encanto) — North from 4920 Imperial av 206 Kingston A B (o) 212 McLaughlin Delbert 218 Palmer R L (o) 219 Vacant 222 Vacant 214 Boyle P A W (o) 215 Vacant 319 Smith G S (o) 323 Carse Wm 335 Perry A M coml artist (o) Perry E E (o)</p>	<p>Noell intersects 3911 Strobel Willie restr 3923 Little R W ornamental plaster 3925 Parks F E (o) 3933 Baker G B gas sta 3955 Scott H R restr 3957 Piggly Wiggly of San Diego Inc gro 3959 White G G drugs 3963 Humpty Dumpty Stores Inc gro 3985 Diaderichsen Arth nurserymn</p>	<p>Wright intersects Bandini intersects 4090 Smalleage Co Ltd gas sta 4105 Arbud Investment Co Peterson Lumber & Finance Co Peterson Realty Co 4137 Pitzer W F restr 4143 Wallace W R florist</p>
<p>OZARK, SOUTH (Encanto) — South from 4920 Imperial av 199 Llewys A S J Mrs (o)</p> <p>Holly dr intersects 201 Nickerson E D (o) 201 1/2 Nara S O 245 Montijo B G 259 Smutney Louis (o) 264 Helton D S 265 Pahlen Bertha Mrs 329 Morrison G A jr 329 1/2 Morrison Danl 336 Morrison G A (o)</p>	<p>Olive intersects Laurel intersects 2483 Wiltshire Oil Co</p>	
<p>PACIFIC AV (Pacific Beach) — East from 4100 Ocean blvd 1102 Himes T I 1111 MacAllister J H Aztec Rowing Club 1112 Smith D A</p>		

UPAS/COLUMBIA 1938

UPAS/COLUMBIA		DIRECTORY (1938)		951	
326 Moore John	1634b Forrest J E	1634e Vacant	2981ΔSaleski M M Mrs beauty shop		
332 Griswold C N	1634dΔSimons Eleanor Mrs	1642 Vacant	2983 Henson T E restr		
338 Smithart Alton	1644ΔAdams M E	1646 Ketchum C E	3002ΔHarrington W H	30th intersects	
340 McGowan N J	1648 Donatelli V E	1652ΔNelson J E	3012 Weinberg Morris		
Brant intersects		1654 Vacant	3016 Hullt A J		
465 Ferrari Ambrose (o)	1656ΔWilcox M K Mrs	1658 Gambie C N	3022ΔTinkham M J		
411 Rosendahl Martin (o)	Park blvd intersects		3025 Kirkland C H Mrs (o)		
416 Gosting G G	1714 Seifert F W	1716 Madden R W	3026 Dean L N batteries		
417 Wilson Wm	1718 Willman C H jr	1720ΔWilson Edith B	Lynn H D gas sta		
422 Schwenkmeyer J C	1726 Dyer W L	1728 1/2 Stahel Roland	Mattingly E B seeds		
425ΔTraxler V H	1728 Carhart C E	1728 3/4ΔList F V	3028 Magee Luther barber		
431 Vittek Jos	1730 1/4 Thompson R P	1730 1/2 Ballard E A Mrs	McKee Gussie Mrs beauty shop		
535ΔBrouwer C J	1732 1/2ΔFord J C	1734 Bishop Julia E	Ray intersects		
UPAS—East from 3400 1st av		1734 1/2ΔAnderson R J (o)	3040 Skelley T L auto repr		
120 Vacant	1736 Sweeney D J	1736 1/2ΔKimball L P	3060ΔSkelley T L	Grim av intersects	
2d av intersects		1738 Munger M T	3065 Smetana Anton		
296ΔBrown W J (o)	1738 1/4 Will A J	1740ΔHemphill H A dancing tchr	3074ΔNiedermayer H J		
299ΔStearns S K Mrs (o)	1740ΔMartin C F	Indiana intersects	3075 Harrell J H	31st intersects	
242ΔChoate Rufus (o)	Georgia intersects		3108 Peters Louis		
3d av intersects		Florida intersects		3114 Dyer Hugh	
396 Hazard E S Mrs (o)	2044ΔTetley J W	Alabama intersects		3127 Faust C L (o)	
397 Fashion Court Apartments	Los Angeles Times		Herman av intersects		
Goodwin O T	2102ΔLos Angeles Times	Powell P C (o)		3162ΔLauritzen I L	
399 Merton B A	2114ΔKingsley M P	2124ΔMurphy R E		3174 Chrones Geo	
311 Chandler J H	2126ΔBridgford H H (o)	Mississippi intersects		3215 Vacant	
313ΔAngel F B W Mrs (o)	Louisiana intersects		3218 Hiltrath J B	32d intersects	
315ΔWeare G C	2212ΔWortman E C (o)	2222ΔPeart M B Mrs		ΔSteetle H W	
317 Stokes Susan G	2228 Davies C W (o)	Texas intersects		3224 Vacant	
319 Poppenberg R E	2306ΔDavis F H	2318ΔArcher M B Mrs		3231 Bartholmew A J	
320ΔKnudtson W M	2318ΔArcher S D	Diethelm Herbt		Bancroft intersects	
322ΔMiller P H	2328 Macintosh J A (o)	Texas intersects		3254 Vacant	
4th av intersects		2428ΔWillard F H jr	UPAS, WEST — West from 3400		
419 Kirven V E	2436ΔFolsom J H tennis racket repr	Arizona intersects		1st av	
428ΔDunn W T	2516 Canyon Robt	2518ΔErickson E O (o)		102 Carlisle W C	
430ΔMurphy L H Mrs	Arnold intersects		104 Vacant	106 Albach W H	
438 Vacant	2602ΔBaisch J G (o)	Villa ter intersects		108 Ross E J Mrs	
440ΔZempel Wilma E	2612 Frisbie H L	2618ΔGrant Robt (o)		120 Rod R E Mrs	
5th av intersects		2620ΔBest C L	122 Miles Florence Mrs		
510 Estralita Apartments	2628ΔStookey M F Mrs (o)	Pershing av intersects		124ΔKunkel J T Mrs	
ΔBooher C J	Utah intersects		126ΔLivesey J E	142 Spencer J C	
ΔBrandon Isabelle Mrs	2704ΔFleming M K	2718 Stork Lydia B (o)		144 Fagan Mary Mrs	
ΔFeaster Dick	2728ΔAlexander M A Mrs (o)	2738ΔHeyer H A		146 Querin Edw	
ΔHill L A Mrs	28th intersects		148 Kerth J H		
ΔJohnson O O Mrs	2832ΔWalker A O	2853ΔSmyth H C Mrs (o)		Boundary intersects	
ΔLinholm S C	2873ΔKrull C W (o)	2875 Morey G L		3305ΔPacker G I Mrs	
Morris Elma	Granada av intersects		3315ΔMoreland C B		
ΔSmith H M	2905ΔRyan Marc (o)	2911ΔSullivan D J (o)		3317 Schutt E G	
515 Vacant	2917 Pendelton C H (o)	2924 Baker T F furn		3324 Heron F H	
6th av intersects		2925 Marshall C V Mrs (o)	Felton intersects		
624ΔMcCrary J M (o)	Dale intersects		3344 Haynes L A		
7th av intersects		2959 Babek J P gas sta	3376ΔPreibisius L J (o)		
Vermont intersects		Mohrman Jos auto repr	3380ΔAdams R L		
1202 Barley E E	2968ΔOberg Enoch gro	2975 McDougall Myrtha Mrs		3386ΔMoore E M (o)	
1202 1/2 Vacant	U P L A N D (Encanto) — East from 1600 60th		6033 Swanson Jrs (o)		
1212ΔCallas E P	Union intersects				
1234 Lockwood F M	Columbia intersects				
1238ΔStorm A V (o)	India intersects				
1256ΔBrown A C (o)					
1262ΔWinter C W					
1270 Metts Paul					
1282 Rabinowitz Max					
1290ΔBriggs W L (o)					
Richmond intersects					
1404ΔMetts J C (o)					
1414ΔStorey G E (o)					
1420ΔHarlan Dale (o)					
1428ΔDale H H gro (o)					
1440ΔHouse N C (o)					
Albert intersects					
1506ΔHarbaugh O S (o)					
1512ΔJohnson H C (o)					
1520ΔBrothers L P Mrs (o)					
Herbert intersects					
1602ΔWansley R M					
1810 Lint K C					
1812ΔStanford D E					
1814 Watson J A					
1816ΔChamberlin Mabel Mrs					
1818 Vacant					
1820 Vacant					
1822 Vacant					
1826 Crawley A D Mrs					
1828ΔHopper E G (o)					
1832ΔRichardson Ivabella Mrs					
1832aΔBaranceanu Belle					
Goldschlager Abram					
1832b Sharp M L Mrs					
1832c Berenson Eleanor Mrs					
1832d Wuest A M Mrs					
1834aΔLedingham Mary					

San Diego, Calif.

Phone Franklin 6666

VINE ST 1938

VIEW PLACE (Normal Heights) —North from Adams av, 1 e of 39th 4718 Bennett J N (o) 4732 Higley M S 4733 Beebe J L 4734 Packer P J 4734 Coleman C W	3674 Vacant 3675 Row R C (o) 3676 Prater Chas 3693 Bailey L L (o) 3694 Miles R S (o) Landis intersects 3704 Deem Bliss (o) 3705 Welin Eric (o) 3714 Vacant 3719 Stewart Blanche Mrs (o) 3720 Sargent E L 3725 Peery C F 3730 Van Dort Thos (o) 3735 Brennecke Minnie Mrs (o) 3736 Pollard A H Mrs (o) 3738 Polson H M Jr 3745 Mineah L E (o) 3746 Rush E T (o) 3748 Benedict J R 3750 Wright K E 3751 Newton E R (o) 3752 Lucke L E (o) 3761 Buis J W (o) 3762 Davison M C Mrs 3764 Hoehn R P 3766 Moyer H I 3767 Gault W W (o) 3768 Perry W A 3770 Steele A M (o) 3772 Hicks Carl 3775 Goldsmith C T (o) 3776 Jordan H E 3783 Freeberg O E 3785 Vacant 3788 Brown J F 3794 Bowie C G Mrs (o)	Copeland Leta (o) Poppy pl intersects Manzanita dr intersects VIRGINIA (La Playa) — North from 1 blk s of 3550 Dudley, 2 e of Catalina blvd 1790 Vacant VIRGINIA WAY (La Jolla) — Northeast from 7600 Girard av, 1 s of Torrey Pines rd 1120 Kessling A F (o) 1178 Newman H A (o) 1182 Dexter M A 1186 Miller H L Mrs 1190 Barber P P (o) High av intersects 1201 Eaton Mary (o) 1221 Jensen W E 1224 Nicol Duncan (o) 1235 Page Emily (o) 1236 Williamson A H (o) 1246 Judd M A Mrs (o) 1246 Smith F M (o) 1252 Edwards Grace (o) 1257 Parkhurst E H Mrs (o) 1260 Hicks Clara K (o) Moulton Frances (o) 1263 Collier G R 1271 Shellhorn B L (o) 1275 Platt Emma (o) 1285 Vacant 1287 Brandt E S R 1299 Pepsy H F (o) Ivanhoe av intersects 1301 Powell Arnold (o) 1304 Wilkie G W 1314 Taft E R (o) 1321 Stephens R H Mrs (o) 1324 Vacant 1328 Hutchinson J R (o) 1338 Adams Val (o) 1345 Morse J L (o) 1358 Johnson Carl 1361 Krell Eric (o) 1364 Austin C L Exchange pl intersects 1400 Schuman Alice Mrs 1411 Mason Mary Mason Walt 1414 Vacant 1418 Vickers A C Mrs (o) 1436 Remington J D Mrs (o) Rothwell L K Mrs 1437 Brown M E Mrs (o) 1440 Curtis Frazier (o) 1454 Wernham G T (o) 1461 Putnam A T Mrs (o) 1475 Tinker U W Prospect pl intersects 1522 Binliff M B Mrs 1533 Vacant 1540 Johanson J G (o) VISTA (Kensington Park) — North from 4260 Madison av 4503 Lundy W C (o) 4508 Newcomb Mae Mrs (o) 4511 McClary D B (o) 4519 Daly M M Mrs 4520 Deming R B (o) 4525 Wilson D E (o) 4532 Cook H I (o) 4540 Rivers R A 4543 Williams J R 4549 Ryberg S A (o) 4560 Power E W 4568 Denison F E 4578 Cross F W (o) 4580 Thacher L E 4591 Watters C G 4596 Fitch A J (o) 4597 Lee Leon (o) Madison av intersects 4603 Learner J L 4604 Wuebbens E P 4608 Danner John (o) 4609 Pelletier E L (o) 4615 Carskadon J W 4616 Robison G H (o)
VIEW POINT DRIVE — North from 2050 W Columbia	3794 Steele A M (o) 3772 Hicks Carl 3775 Goldsmith C T (o) 3776 Jordan H E 3783 Freeberg O E 3785 Vacant 3788 Brown J F 3794 Bowie C G Mrs (o)	1400 Schuman Alice Mrs 1411 Mason Mary Mason Walt 1414 Vacant 1418 Vickers A C Mrs (o) 1436 Remington J D Mrs (o) Rothwell L K Mrs 1437 Brown M E Mrs (o) 1440 Curtis Frazier (o) 1454 Wernham G T (o) 1461 Putnam A T Mrs (o) 1475 Tinker U W Prospect pl intersects 1522 Binliff M B Mrs 1533 Vacant 1540 Johanson J G (o)
VIKING WAY (La Jolla) — North from 1850 Torrey Pines rd to Newport ter 1801 Rose R C (o) 1802 Igelstroem John (o) 1821 Vacant 1857 Burnham C M Mrs Awler J L 1874 Shea Margery Mrs 1919 Wilson E C 1956 Hutchinson C S Mrs (o) 7981 Nicholas J Q 7988 Zeigler H M Mrs	3794 Steele A M (o) 3772 Hicks Carl 3775 Goldsmith C T (o) 3776 Jordan H E 3783 Freeberg O E 3785 Vacant 3788 Brown J F 3794 Bowie C G Mrs (o)	1400 Schuman Alice Mrs 1411 Mason Mary Mason Walt 1414 Vacant 1418 Vickers A C Mrs (o) 1436 Remington J D Mrs (o) Rothwell L K Mrs 1437 Brown M E Mrs (o) 1440 Curtis Frazier (o) 1454 Wernham G T (o) 1461 Putnam A T Mrs (o) 1475 Tinker U W Prospect pl intersects 1522 Binliff M B Mrs 1533 Vacant 1540 Johanson J G (o)
VILLA DRIVE (Loma Portal) — North from 2900 Chatsworth blvd 2516 Ostrom A W (o) 2536 Cutler D R (o)	3794 Steele A M (o) 3772 Hicks Carl 3775 Goldsmith C T (o) 3776 Jordan H E 3783 Freeberg O E 3785 Vacant 3788 Brown J F 3794 Bowie C G Mrs (o)	1400 Schuman Alice Mrs 1411 Mason Mary Mason Walt 1414 Vacant 1418 Vickers A C Mrs (o) 1436 Remington J D Mrs (o) Rothwell L K Mrs 1437 Brown M E Mrs (o) 1440 Curtis Frazier (o) 1454 Wernham G T (o) 1461 Putnam A T Mrs (o) 1475 Tinker U W Prospect pl intersects 1522 Binliff M B Mrs 1533 Vacant 1540 Johanson J G (o)
VILLA TERRACE — North from 2600 E Upas 3420 Turpie W A (o) 3428 Bennett J N Bennett W J bldg contr (o) 3438 Connery E M Mrs (o) 3439 Jewkes J W (o) 3448 Overcash E F (o) 3447 Anderson E O (o) Myrtle av intersects 3504 Pozner H A 3512 Hall W J (o) 3518 Carson W P (o) 3521 Wilson F H (o) 3522 Thomas J N 3527 Fulton R L 3528 Lickert Danl Pierce C L 3535 Rutherford R L 3536 Renger Henry 3540 Knotts Jos (o) 3542 Dernberger Oliver Rice Clara S 3544 Eneboe W J 3546 Straubinger Philip 3552 Marvin Dora Mrs 3559 Neale C E (o) 3567 Hoffman A J (o) 3576 Robinson E H (o) 3584 Ghio E A Jr (o) 3585 Heatherly Maynard (o) 3593 Winke A H (o) Dwight intersects 3602 Tyson W L (o) 3603 Hall W R vending mach (o) 3611 Springer L W (o) 3612 Dornier Ernest 3617 Bath B T (o) 3620 Henke H C (o) 3623 Lakin L H Mrs 3625 Mann H F 3626 Vacant 3626 1/2 Mueller Barbara Mrs (o) 3623 Faas Monica Mrs 3629 La Fleur W A 3630 Hines L H 3635 Anderson A F (o) 3638 Di Giulio Paul 3639 Bastian B H 3644 Coykendall R W 3645 Whitten B C 3650 Timmerman W C 3650 1/2 Buysman V E 3655 Allen W G (o) 3661 Henderson A E Mrs CS pract (o) 3662 Devich N R (o) 3667 Beebe Carr 3670 Siddall Frank	3794 Steele A M (o) 3772 Hicks Carl 3775 Goldsmith C T (o) 3776 Jordan H E 3783 Freeberg O E 3785 Vacant 3788 Brown J F 3794 Bowie C G Mrs (o)	1400 Schuman Alice Mrs 1411 Mason Mary Mason Walt 1414 Vacant 1418 Vickers A C Mrs (o) 1436 Remington J D Mrs (o) Rothwell L K Mrs 1437 Brown M E Mrs (o) 1440 Curtis Frazier (o) 1454 Wernham G T (o) 1461 Putnam A T Mrs (o) 1475 Tinker U W Prospect pl intersects 1522 Binliff M B Mrs 1533 Vacant 1540 Johanson J G (o)
VINE COURT — East from 1/2 blk w of 750 S 29th	3794 Steele A M (o) 3772 Hicks Carl 3775 Goldsmith C T (o) 3776 Jordan H E 3783 Freeberg O E 3785 Vacant 3788 Brown J F 3794 Bowie C G Mrs (o)	1400 Schuman Alice Mrs 1411 Mason Mary Mason Walt 1414 Vacant 1418 Vickers A C Mrs (o) 1436 Remington J D Mrs (o) Rothwell L K Mrs 1437 Brown M E Mrs (o) 1440 Curtis Frazier (o) 1454 Wernham G T (o) 1461 Putnam A T Mrs (o) 1475 Tinker U W Prospect pl intersects 1522 Binliff M B Mrs 1533 Vacant 1540 Johanson J G (o)
VIOLA (North San Diego) — East from 2200 Morena blvd	3794 Steele A M (o) 3772 Hicks Carl 3775 Goldsmith C T (o) 3776 Jordan H E 3783 Freeberg O E 3785 Vacant 3788 Brown J F 3794 Bowie C G Mrs (o)	1400 Schuman Alice Mrs 1411 Mason Mary Mason Walt 1414 Vacant 1418 Vickers A C Mrs (o) 1436 Remington J D Mrs (o) Rothwell L K Mrs 1437 Brown M E Mrs (o) 1440 Curtis Frazier (o) 1454 Wernham G T (o) 1461 Putnam A T Mrs (o) 1475 Tinker U W Prospect pl intersects 1522 Binliff M B Mrs 1533 Vacant 1540 Johanson J G (o)
VIOLET — Southeast from 4050 Manzanita dr 2511 Ritz C W 2518 Haley D P (o) Sycamore dr intersects Pepper dr intersects 2547 Erny F F 2560 Lewis J W 2571 Dresser J D (o) 2576 Welthorn A H Poplar intersects 2622 Baites E G (o) 2625 Hedger B F 2631 Seymour C R (o) 2643 Blankenburg A F (o) 2646 Brown B F	3794 Steele A M (o) 3772 Hicks Carl 3775 Goldsmith C T (o) 3776 Jordan H E 3783 Freeberg O E 3785 Vacant 3788 Brown J F 3794 Bowie C G Mrs (o)	1400 Schuman Alice Mrs 1411 Mason Mary Mason Walt 1414 Vacant 1418 Vickers A C Mrs (o) 1436 Remington J D Mrs (o) Rothwell L K Mrs 1437 Brown M E Mrs (o) 1440 Curtis Frazier (o) 1454 Wernham G T (o) 1461 Putnam A T Mrs (o) 1475 Tinker U W Prospect pl intersects 1522 Binliff M B Mrs 1533 Vacant 1540 Johanson J G (o)

WALNUT AVE W 1938

<p>225 VOLTAIRE—Cont 4969 Gray Orvel 4970 Vacant 4972 Hogan M J 4984 Cope J B meats Ideal Modern Mkt 4985 Linneen Jeanne Mrs liquors 4986 Allen C E 4987 Vacant 4989 Karrow R E beauty shop 4991 Mairot Frank 4991½ Klosterman E J 4993 Lloyd E E restr Bacon intersects 5000 Owen Oliver E Co 5005 Treahy W E gas sta 5017 Schofield Wm (o) 5030 Smith Dorothy Mrs 5045 Cutting C C (o) 5066 Bailey Helena Mrs Lawrence W C McClure Mabel Mrs Palmer J R (o) 5073 Voshell R E 5075 Neill M E Mrs 5077 McFarland C W 5079 Paradise Court Smith Maria R 5081 Eellingham Godfrey 5083 Watt Oliver 5085 Kernaghan F W Abbott intersects 5109 Vacant 5111 Vacant 5113 Vacant 5115 Hegberg Gunnard 5117 Bradley Wm 5117½ Wonderland Courts Colquhoun A A Mrs (o) 5119 Vacant 5124 Melcher J P (o) 5143 Vacant 5147 Bowers E K 5151 Hewitt W B 5153 Vacant 5155 Hewitt L M (o) West Point Loma Blvd intersects WABASH AV—North from 1 blk s of Estrella Park and n from 3750 Estrella pl 3662 Whitstone Dow 3668 Barberl Richd (o) 3678 Eltesman W C Landis intersects 3720 Weed O D 3738 Nelson W A (o) 3752 Puryear I S Wightman intersects 3824 Rouse Osea 3824½ Reed R T 3825 Reaser J K (o) 3833 Hart F A 3842 Lee C H (o) Peters R A 3850 Wormington E W 3858 Minnick H T 3865 Bradshaw E Y 3867 Field H B 3871 Knight S H gas sta University av intersects 3914 Johnston H C 3930 Graham H E (o) 3944 Hotchkiss R S Lincoln av intersects 4002 Woodson R H 4007 Fields Fritz 4015 Remington T E 4018 Bryant G R 4022 Oswalt J H chiropractor (o) rear Vacant 4023 Springs G R (o) 4029 Santos T L 4032 Bahu A B 4035 Richmond G A 4036 Donald Ernest Martin C E (o) 4039 Otsuka Hirovue 4044 Casell Ira</p>	<p>Phillips Mary Mrs (o) 4045 Williams C A (o) 4050 Roberts W G 4051 Goodwin W R (o) 4060 Jones Chas 4061 Masters F E 4068 Sacco Saml 4074 Alessio Rose Mrs (o) 4077 Stephenson Thelma Mrs 4082 Alessio John Polk av intersects 4102 Kirk B H (o) 4103 Wiese G W 4109 Farris A M (o) 4110 Danna A P Mrs 4115 Linsley C A 4120 Brown Florence (o) 4128 Morris S A 4133 Farina J S (o) 4134 Haggard P T 4140 Solomon C E 4141 Vacant 4148 Burbee J S Mrs Walcott G B 4151 Keeley R W 4156 Pitman Saml 4157 Poehme Chas 4164 Royal Assunta Mrs (o) 4167 Jensen J M (o) 4172 Snodgrass L L (o) 4174 Ryan E B Mrs (o) 4175 Clapper R L (o) 4183 Skele Theo WABASKA DRIVE (Loma Por- tal)— 3714 Morris J R WADDELL TERRACE (Normal Heights) — North from Sun- crest dr, 1 s of Boundary 4834 Moore G R (o) 4837 McLouth B F jr 4839 Pease A B (o) 4840 Sweetman Eliz Mrs WALL (La Jolla) — East from 7879 Girard av, 1 s of Pros- pect 1002 La Jolla Public Library 1019 Bornowski Frank chiro- practor 1026 Noakes D W restr 1027 Dennstedt Bonnie L beauty shop 1028 Clancy Josephine Mrs beauty shop 1030 Rinehart's Cleaners and Dyers 1032 Ferguson K M lawyer 1033 Matlaw A P cio clnr 1034 Gordon Ruth M pub sten Postal Telegraph Co 1035 Vacant 1037 Pendlebury Chas tailor 1039 Vacant 1041 Zimmerman R F pimbr 1044 Security Trust & Savings Bank of San Diego 1047 Jones B F liquors 1049 Adams Realty Co 1051 Blue Seal Lady Herschel av intersects 1113 Stephen-Hassard Q M dentist 1115 Shepherd T L office 1117 Carter W C osteo Hoogbruin L P osteo 1118 Smith M R Mrs real est Wells J R real est 1119 Shepherd R F Mrs interior decorator 1120 Dorr F R real est 1122 Steckler Jos 1123 Rose R C real est Stimson F L Construction Co 1124 Kavanaugh Sarah Mrs 1125 White G C 1140 Post Office Ivanhoe av intersects</p>	<p>WALLACE (Old Town)—North- east from 2800 Davis 4090 Old Mission Packing Corp Juan intersects 4104 Moss T E 4105 Young J W 4109 Stokes Bernice Mrs 4115 Hoy T H 4119 McDonald Wm 4121 Wlrich M G Mrs 4124 Serrano Tony 4136 Presidio Hills Golf Course WALLACE COURT—North from National av, 1 e of 39th 312 Cartledge Geo (o) 327 Johnson F C 331 Brook S R (o) WALNUT AV—East from 3500 1st av 100 Brinton F L Mrs (o) 115 Brooke Arth Rainwater J J Mrs Witman W C Worley John 140 Day H B (o) 2d av ends 3d av intersects 303 Ridout L C (o) 306 Barker N E Jr (o) 328 Putnam Anne R (o) 335 Fletcher Ed (o) 4th av intersects 418 Vacant 420 Christopherson E H phys Sharp R G phys 430 Spaeth F J (o) 5th av intersects WALNUT AV, WEST — West from 3500 1st av 111 Brust M S (o) 117 Flint J K Mrs (o) 130 Dean E H Mrs (o) Troup J T Front intersects 204 Fisher J W (o) 205 Jenkins B F 211 Fay W S (o) 230 McDowell Mary J (o) 246 Case N B Mrs (o) Albatross intersects 315 Kendall J M (o) 321 McVey Margt M 605 Taylor W F Hawk intersects 1021 Johnson G H 1025 Jones N N ibis intersects Jackdaw intersects Union intersects 1504 Dennis J T 1512 Lee C T (o) 1618 Briggs M P (o) Lenier Hans 1717 Davis H M WALTON PLACE—East from Ohio bet Monroe and Madison av 3057 Benedict R W 3060 Darling W F Fiedler J E (o) 3061 Ellison W M 3064 Hearn Harold 3069 Lang C W (o) 3070 Brockmeyer E F 3074 Paul C V 3074½ Vacant 3076 Henderson E L (o) WARD ROAD (Normal Heights) —(To Camp Kearney via Mur- phy Canyon)—East from Cher- okee av to Madison av 3716 Erwin C B 3728 Haynes A G Mrs (o) 3736 Braly M C Mrs (o) 3745 Bodenstainer H H (o)</p>
--	---	---

KETTNER BLVD 1933

SAN DIEGO HOUSEHOLDERS DIRECTORY (1933)

749

202 Benbough H L Co whse	2253 Asaro Jos	Soares Uzbla Mrs
E intersects	Juniper intersects	Thorn intersects
Broadway intersects	2308 San Diego Macaroni Mfg Co	3441 Brown J D (o)
B intersects	2321 Zolezzi S G (o)	3444 Sanchez Manuel
1202 Bekins Van & Stge Co	2327 Massa Laurie (o)	3452 Benn Michl
Dona Mfg Co novelties	2328 Cunningham J P	3455 Wilson Jas
Dunnigan C O mfrs agt	Hernandez Santiago	3465 Lewis John (o)
Goldsberry O B mfrs agt	Rulz Adolph	3466 Rodriguez Antonio
Hills Bros Coffee Inc	Sanchez Vivian	Upas intersects
Lasselle J R mfrs agt	Wilder L H	3527 Eckley J T
Norbom L E mfrs agt	Lucler Louis	Losch W S
Temple C C notary public	2345 Polestini Louis	Vine intersects
1254 Vacant	2347 Farada Jos	3550 Solomon Jacob gas sta
1262 Brackenburg W L auto repr	2349 Gonzales Juana Mrs	3553 Thomas E F
1268 Vacant	2368 Standard Furniture & Mattress Co	3575 Fire Station No 20
A intersects	Kalmia intersects	Walnut av intersects
1302 Kealey J F restr	2400 Cordtz Robt Co outdoor adv	3600 Century Lumber & Mill Co
1314 Motor Hdw & Equip Co whse	2401 San Diego Fuel Co	3605 Carr R H
1272 Anderson Ray Inc autos	2419 Castagnola Louis (o)	3607 O'Kennedy D P
Ash intersects	2433 Rankin J B	3609 White Fred
1404 Rosas Wm	2435 Vacant	3611 Middleton Milton
1406 Vacant	2443 Navarro Carlo	3619 Putterbaugh Frank
1408 Vacant	Sanfilippo Antonio (o)	3621 Peugh L L
1420 Harris J E Mrs	2498 Hazards' Alr Port Diner	3637 Nielsen Alice Mrs (o)
1436 Cesena Frank	Laurel intersects	Chalmers intersects
1442 Myers Jose	2521 Young Otto (o)	3663 Reynolds P A chiropractor (o)
1448 Torres Jose	2528 Hazard R E Contracting Co	3667 Taylor G D (o)
1470 Vacant	2552 Quaker State Oil Co	Taylor W E (o)
1472 Vacant	Maple intersects	3667 1/2 Ferrigo D E Mrs
Beech intersects	2503 Maudlin Geo	3669 Holloway G F
1516 Hercules Oil Co	2605 Rozzell John	3674 Wallace W H gas sta
1532 Mondaca Jesus	2607 Vacant	3679 Thompson A R
1548 Balestrieri Anna Mrs	2609 Drew Robt	3681 Beers W I
Cedar intersects	2611 Butson J H	3683 Murray Elz Mrs
1614 Canning G W auto glass	2621 Vacant	Murray J L Mrs
Dickinson J W auto wrecker	2651 Murphy J F	3695 Vacant
1648 Canepa John (o)	2653 Vacant	Winder intersects
1650 Ghio Battisto	2680 Barth Foundry & Machine Co	3702 Ghrstein Walter
Date intersects	2690 Seibert S R mach	McFarland B A Mrs (o)
1702-12 Electrical Products Corp signs	Nutmeg intersects	3730 Peterson T D (o)
1718 Vacant	2700 Shanley J F (o) Special Service Flooring Corp	3744 Bauerle W J
1719 Tasso Vincenzo	2753 Torres Manuel	Koehl G J (o)
1729 Carniglia Gemma Mrs	Olive intersects	Lightening Machine Co
1731 Dentone Jos (o)	2805 Ghio Matteo (o)	3747 Palomar Lady
1745 Valluone J B (o)	2806 Thiesen Theo	Andrews intersects
1753 Bregante Gerolamo (o)	2808 Murrell F I	3765 Vacant
1760 Consolidated Building Specialties Co	2812 Waite W W gro	3767 Vacant
1765 Corona Jos (o)	2815 Zolezzi J B (o)	3779 Silence T E (o)
1770 Jackson & Blane	2825 Massa Benedetta Mrs (o)	3785 Chandler E B (o)
1780 Asbestos Products Co	Palm intersects	2794 Ruggles V F Mrs
1781 Carniglia John (o)	2941 Peters V B	2796 Nelson Carl
Fir intersects	2942 Meilleur W A (o)	3797 Fowler E W (o)
1902 Vacant	2953 Gordon Frank (o)	McKee intersects
1907 Cornelia Augustine (o)	2962 Leesman G J (o)	3809 Dowd O F
1915 Hardy M P Mrs (o)	Quince intersects	3821 Kentner E O
1929 Berardine Jos (o)	3002 Fouts Emma Mrs	3831 Inglett W B
Grape intersects	3017 Vacant	Jackson W R
2044 Vacant	3019 Hillier Victoria	3833 Dunlap Harry
2054 Strazzulla Dominic jr	Mason Mary	Dunlap O H
2055 Zolezzi Angelina Mrs	Mason & Hillier restr	3838 Tichacek J T
2056 Ghio John (o)	3040 Vacant	3841 Debrow C E (o)
2066 Castagnola Felice (o)	3041 La Paz Fred	3847 Scott J R (o)
2071 Ghio Augustine (o)	3042 Clark R T	3865 Taylor J F
Hawthorn intersects	3043 Hess R B	Pringle intersects
2101 Owens Hattle Mrs restr	3045 Seward O G	KING (North San Diego) — Southeast from 750 Lieta
2112 Blanchard Ray auto repr	Redwood intersects	KINGSLEY (Loma Portal) — Northwest from 2950 Rosecrans
Stewart & Sanders gas sta	3105 Koehler Amelia Mrs (o)	3021 Renwlok W C
2115 Sanders Fredk	3109 Feiser Mllo	3022 Engel Herman
2119 Pacific Beverage Co	3165 Ace Trading Co	3030 Hartford E W (o)
2136 Benton Roof & Paint Co	Spruce intersects	3035 Duggan N S
2145 Ruiz Felice	3205 Thompson J D gas sta	Locust intersects
2151 Canepa Lorenzo	3242 Millan Saml	3104 Holtam J W (o)
2167 Miranda John	3245 Morgan Nancy Mrs	3111 Hardy H J
2169 Vacant	3247 Vacant	3130 Roehl W F (o)
2171 Acosta Peter	Sassafras intersects	Evergreen intersects
2173 Felley Frances Mrs	3300 Hamilton Bessie Mrs restr rear	KINGSTON COURT (Mission Beach)—East and w from Mission Blvd, 8 n of Amusement Center
2175 Garcia Jos	3304 Choate Milton	714 Savage E A Mrs
2177 Badilla Frank	3308 Bentral A W	718 Jensen W E
Ivy intersects	3338 Crable F C	Mission Blvd intersects
2220 Dickinson J C used cars	3340 Hudgens C J	809 Dillon Jesse
2227 Bautista S S	3342 Blakley Harry	810 Vacant
2228 Higgins E B Mrs (o)	3344 Jenkins Merl	812 Vacant
Higgins J C Mfg Co iron and brass founders	3346 King L J jr	
2229 Bautista J A	3348 Peterson A C	
Hernandez F Z	3370 Soares Manuel	
2320 Utech Annie Mrs		
2351 Cresci Gaetano		

CALIFORNIA ST 1933

47th intersects	Brighton av intersects	Juniper intersects
C, WEST—West from 1100 1st av, 1 n of Broadway	2101 Askew E E	2325 Hernandez Saturino
102 Western Auto Supply Co	2111 O'Donald H N	2337 Figueroa Margarito (o)
104 Vacant	2120 Gade W C	2375 Lopez Jos
106 Vacant	2121 Michael M H	Kalmia intersects
108 Dunham Douglas cigars	2124 Anderson D L	2403 Vacant
110 Wright H E restr	2125 Carter T A	2416 Duenez Theo
111 Vacant	2130 Shadbolt G L	Estrada Clemente
112 Applegate J R bail bonds	2131 Smith C T	2424 Gomez Antonio
132 Bagby J W gas sta	Long Branch av Intersects	2430 Saiceda Lucio
Chappell C H auto repr	2143 Hudson E C	2440 Cortez Andw
Roethel E L radiator mfrs	2149 Creswell O N (o)	Laurel intersects
Front intersects	2154 Sullivan I A Mrs (o)	2554 Stagnaro Bartoe (o)
202 Vacant	Muir av intersects	2560 Stagnaro Antoinette Mrs (o)
206 Vacant	2180 Vacant	2572 Esquivel Francisca Mrs
212 Hotel Lubin	2181 Vacant	Olive intersects
216 Vacant	Voltaire intersects	2801 Murphy J E
218 Goetz Carl tailor	CABRILLO AV (La Jolla)—	2808 Vacant
Goetz Mary Mrs cigars	North from 1 blk s of 1300	2902 Vacant
224 Michael R M Mrs restr	Pearl	2929 Hensley Jessie Mrs
Union intersects	CAJON WAY—North from 5400	2941 Vacant
301 Dixon Jimmy autos	Madison av	2970 Beers S F
342 Ponder C E used cars	4526 Gibbins J B (o)	Winston John (o)
State intersects	4536 Pickrell Clyde (o)	Quince intersects
402 Davies Motors Inc used car dept	4541 Bigelow J M Mrs (o)	3005 Castagnola Angelo (o)
443 Pacific Transfer Van & Truck Co	CALHOUN (Old Town)—North-	3015 Busch John (o)
444 Maggini Livio vulc	west from 4050 Harney	3043 Castro Luciano
rear Miller Louis auto indry	2650 Knabe F L	Redwood intersects
446 Dodge Shop The auto reprs	2706 Glasser D W gro	Spruce intersects
Columbia intersects	2734 Vacant	Thorn intersects
516 Hotel Rosslyn	Wallace intersects	3449 San Diego Lead Products & Mfg Co
Lyon E C	3226 Parklnson F M	Talbot Frank battery mfr (o)
530 Billings A L Mrs restr	CALIFORNIA—North from 800	Upas intersects
540 Lillard A C vulc	W Market to Witherby	Vine intersects
India intersects	1216 Collaso Feliciano	Wainut intersects
CABLE (Ocean Beach)—North-	1220 De la O Perfecto	3566 Vatis Saml
east from 3900 Pescadero av	1222 Vacant	3607 Hartman C J
1500 Vacant	1224 Vacant	3619 Saicedo Miguel
1554 Blsbee R M	A intersects	3625 Stanton John (o)
1558 Hoyt C E	1332 Miller Ray	3645 Ibec R A Mrs
1562 Vacant	1372 Norworthy B J	Bean intersects
1566 Brown Audrey Mrs	Ash intersects	Chalmers intersects
1592 May F J	1445 Ojeda Jose	Winder intersects
Del Mar av intersects	1447 Luke F A	3719 Sylvia Jos
1626 Harris R W	Beech intersects	3721 Brown Jos
Coronado av intersects	1506 Fernandez Jos	3727 Vacant
1676 Boulay Wm (o)	Monguia Jos	3729 McComas Sylvester
1684 Crawford J E (o)	1516 Asaro Jos	3731 Vacant
1690 Wolff V J	1560 Vacant	Andrews intersects
Santa Cruz av intersects	1564 Allen L J junk	3751 Barlow's Long Island Service Station
1720 Vacant	1568 Vacant	3770 Thompson N O auto repr
1722 Kerridge C J	1612 Daleo Jos	3781 Disler Al billiards
1727 Mlinarich Jos	1616 Scott Marilla Mrs (o)	3785 White & Espe drugs
1735 Main Wm	1616 1/2 Bollver Mary Mrs	3787 Selby M B Mrs (o)
1737 Vacant	1620 Curriglio Jos	3787 1/2 Vacant
1743 Marshall John	1620 1/2 Crivello Peter	3789 White G G phys
Del Monte av intersects	Jlcalone Peter	3789 1/2 Vacant
1756 Vacant	1632 Pearson Everlitt	3791 Bryenton F V barber
1766 Carter C W	1634 Vacant	3792 Jackson W R restr
1768 Vacant	1636 Vacant	3795 Dunlap O H gro
1776 Phlter C A Mrs	Date intersects	3795 1/2 Espe H T
1778 MacBride Geo	1804 Stillson F B (o)	McKee intersects
1779 Michels R E (o)	1808 Riddell H W	3801 Dille Jennie M restr
1780 Hartvigsen H H	1824 Golden State Oil Co	3805 Gilbert W S
Narragansett av intersects	1842 Parianlo Salvatore (o)	San Diego Motor Inn
1821 Davis A E Mrs (o)	1848 Ferrari Jas	3810 Fry J B gas sta
1844 Vacant	Fir intersects	3811 Baine Edna M (o)
Niagara av intersects	1930 Vacant	3817 Hupp Rhea
1852 Perry W H (o)	1932 Bologna Pietro (o)	3819 Harsha M E Mrs
1856 Hubbell Oliver	1940 DeMaggio Sebastiano (o)	Clayton intersects
1857 Vacant	1954 Vacant	3821 Babbitt F A
1859 Stevens Everett	Grape intersects	3827 Vacant
1862 Vacant	2049 Bartoe O E	3831 Webber C H (o)
1867 Berkheimer J L	2070 Gonzales Frank	3835 Andrews Theo
Newport av intersects	Hawthorn intersects	3836 Clay C M Mrs real est (o)
1909 Sixth Church of Christ Scientist	Ivy intersects	Clay Chas mfrs agt
1911 Tipp L A	2206 Reles Sabaro	Pringle intersects
1919 Webster H T (o)	2208 Vacant	3856 Dyckman D B whol baker
Cape May av intersects	2214 Vacant	3870 McCoy Henry tourist camp
Saratoga av intersects	2220 Vacant	3873 Bay View Camp auto pk
Santa Monica av intersects	2224 Rolz Ignacio (o)	Holland J A gro
2070 Darnell M M Mrs (o)	2230 Gonzales E M	Solarl Frank (o)
2076 Vacant	2232 Asaro Andw (o)	Sutherland intersects
2090 Clark Philip	2244 Pontecorvo Jesus (o)	La Jolla av begins
	2246 Reichert F F	3917 Gilleen Frank
	2246 1/2 Vacant	Gilligan Henry
	2250 Salmon Tarquino (o)	3919 Abbott W G
	2272 Salmon Joaquin	3920 Denton D L
	2280 Petrich Emma Mrs	

COLUMBIA ST 1933

COLUMBIA ST 1933		HOUSING DIRECTOR (1933)	6/9
2773 Simmons C J (o)	COLUSA (North San Diego)	2765 Hollins Thos gas sta	
Olive intersects	North from 2 b'ks s of 5600	28th intersects	
2811 Kirby L R	Gaines	2831 Castro De Mecho	
2816 Carbray Jas	COMMERCIAL (Changed from	2843 Sparza Albt	
2818 Vacant	N)—East from 9th, 1 s of Im-	2863 Jensen O F (o)	
2820 Griffiths Mollie Mrs	perial	2867 Storey Eliz Mrs (o)	
2840 Howell S W (o)	1610 Vacant	2872 Woodbey G W Rev	
2864 Telow Ida Mrs (o)	17th intersects	2873 Head Myrtle Mrs	
2869 Kelley D T		29th intersects	
Palm intersects	1721 Becerra Vincente	2905 Vacant	
2015 Gerlsh W J jr	1726 Gastro Juan	2907 Vacant	
2430 Morrison R F (o)	1738 Hartgray Edw	2909 Vacant	
2940 Stewart Wellington	1745 Batron Ramona Mrs	2915 Larroque Mercedes Mrs	
2954 Dally J W (o)	1746 Martinez Marcelmo	(o)	
2955 Turner H A (o)	1747 Rodriguez Pedro	2926 Davis Henry (o)	
2964 Davis R T (o)	18th intersects	2927 Zuniga Raula	
Quince intersects	1848 Sanchez Antonio	2930 Salcedo M A (o)	
3002 Jumper F F	19th intersects	2934 Johnson Edw	
Schenman E V Mrs (o)	1924 Sawyer Fredk	2936 Savala Mary Mrs	
3013 Barker Steph	20th intersects	2940 Lopez Antonio	
3020 Adams Pauline Mrs	21st intersects	2946 Oakley Henry	
3030 Cresse R A (o)	22d intersects	rear Downing Elka Mrs (o)	
3040 Saville Henry	2226 Richeson T W Indy tray	2947 Vacant	
3062 De Vore G H	mfr	2948 Waters John (o)	
3064 Wood H A	2246 Guerrero Miguel	2951 Sanchez Melquides	
3066 Green W G	2248 Willard W H (o)	2970 Johnson Geo (o)	
3068 Loughlin Edwood	2250 Clark C D	2978 Clara Gabriel (o)	
Laughlin P J	2260 Maxon Jennie Mrs (o)	30th intersects	
Redwood intersects	Schultz H W	3001 Thompson Grain and Mill-	
3225 Yale A W	2278 Donahue J S	ing Co	
Sassafras intersects	2284 Eder Michl (o)	3020 Sanchez Sylviano	
3330 Miller R G	24th intersects	3029 Vacant	
Thorn intersects	Harrison intersects	3038 Williams Wm	
Upas intersects	2416 Carlston Langdon (o)	3039 Gastro Adolpho	
3504 Steadman O J (o)	2422 Ramirez Norberto	3048 Peyron John	
3515 Waimon I J	2430 Buenrostro Peter	3052 Carter Martin	
3517 Vacant	2434 Thomas Robt	3058 Brown G B	
3528 Smith R C	rear Parker R H	3060 De Rose B J	
3531 Brown J M	2438 Dahms G A (o)	3064 Buono John	
3535 Eversoll D B	2444 Smith Thos	3074 Pacheco J B	
3538 Stacy Earl (o)	2450 Vacant	3094 El Granito Springs Bot-	
3545 Melzner A B	2452 Gastelum Frances Mrs	tlng Co	
Chalmers intersects	2458 Hallan M J (o)	31th intersects	
Glenwood dr intersects	2462 Baldibla Santiago	3170 Sims Anderson	
Vine intersects	2470 Towles Gertrude Mrs	3182 Nunez Peter	
3652 Boyden Donald	rear Davenport Louise Mrs	3184 Fargo Refugio	
Seffard Charlotte Mrs (o)	2472 Bianco Domenic	32th intersects	
3656 Vacant	Ocean View blvd begins	3215 Harper Karl	
3661 Cullear J A	25th begins	3219 Vacant	
3662 Vacant	2501 Hale R B gas sta	3221 Huff Richd	
3667 Vacant	2514 Vacant	3227 Lounsbury Hattie Mrs	
3669 McClure Myrtle Mrs	2516 Saidovar A J	3243 Hamilton Abner	
3670 Freeman Henry	2518 Workman Margt Mrs	Wimberly Frank	
3677 Adkins Q R (o)	2530 Tobadisto Lucio	3345 Vacant	
3680 Klingsberg R D	2562 San Diego Rug Factory	Bancroft intersects	
3686 Onbert H F	2554 Moon P B	COMMONWEALTH AV—North	
Winder intersects	2562 Scully Rosa Mrs	from 3500 Ivy	
3707 Worthen H B ptr (o)	2563 Costelloe Margt H (o)	2240 Beckett R B (o)	
3708 MacLennan Donald	2564 Currier H L	2255 Schultz C P (o)	
3710 Pack F K bldg contr	2566 Vacant	2281 Baker W L (o)	
3712 Fielder H C	2568 Vacant	Juniper intersects	
3719 Vacant	2570 Gylling Maren Mrs (o)	2324 Williams R S	
3720 McCollom W M	Lederer John elec contr	2337 Smith C A	
Stead Barbara M	2581 Giles R H bldg contr	2408 Catterson Lionel (o)	
rear Hansen A P (o)	Franklin av begins	2412 Heath M J E Mrs	
3736 Black Jeremlah	Dewey begins	2416 Dodson O L	
3744 Stenger Geo (o)	26th intersects	2430 Walker J H (o)	
3746 Schill Frank	2606 Watts Walter (o)	CONCORDA (La Playa)—North	
3748 Archer Frank	2612 Lobello Ross	from 3500 Talbot	
3775 Spears T B	2616 Wilson Marcus	CONDE (Old Town)—Northeast	
Andrews intersects	2617 Wilcox C H	from 2450 Kurtz	
COLUMBIA WEST—(See Titus)	2619 Tellez M G	2454 Meza Felix (o)	
COLUMBINE (East San Diego)	2624 Washington John	3878 Clayburn Wm	
—Southeast from 4275 Man-	2627 Wallace Will	3886 Bailey L W	
zanita dr	2630 Rogan Geo (o)	3920 Riley J A Mrs (o)	
2716 Fine H L	2634 Moore Jas	3938 Contreras Henry (o)	
2723 Wellman W F	2636 Vacant	CONGRESS (Old Town)—	
2843 Bertolucci H C	2638 Jackson Lucile Mrs	Northwest from 3950 Witherby	
2927 Cable I W (o)	2640 Vacant	2875 Fremont Park	
2933 Dee W R	2640 1/2 Vacant	Fremont School	
2939 Mitchell Beatrix Mrs (o)	2645 Vacant	Conde intersects	
Quince intersects	2651 Vacant	2422 Catechetical School	
3014 Krum J H	2656 Estes Ernest (o)	Shannon Caroline P (o)	
Poplar intersects	2659 Vacant	2422 1/2 Contreras John	
3021 Minnis T T (o)	2665 Romero Rudolph	2453 Almanerz Louis (o)	
3029 Lowell Wm	2673 Bloss Caroline Mrs iron	2462 Espinoza Manuel	
3032 Smith Theo	wks	Schoberg Allen	
3038 Spears G W	27th begins	2466 Vacant	
Pepper dr intersects	Evans intersects		
	Hensley intersects		
	2762 Dobbs M E Mrs		

GLENWOOD DR 1933

7870 Vacant	1506 Starkey R G	3776 Bowman C C
7871 Girard Hotel	State intersects	3781 Hansen C F
7872 Vacant	1602 Kershner E F (o)	3784 Walton E A
7873 Knoepp M G radio	1605 Tenbroek H A (o)	3792 Peterson W L
7875 Rineharts Cleanitorium	1610 Mercurio Jos	3795 Arnold L E Mrs (o)
7877 Granada Theatre	1616 Daly J G (o)	Bush intersects
7879 Lloyd W L real est	1624 Vacant	3801 Mentle E L Mrs
Shumaker E M Mrs real est	1630 Green L L	3809 Torrey A C
7880 Johnson P S radlo	1633 Dibble Pearl Mrs	3817 Sheldon Benj (o)
Little G W shoe shiner	1702 Vacant	3820 Payne V L Mrs
Wood E E shoe repr	1704 Schanze H A	3820 1/2 MacBride A C (o)
7881 Chessman G W art gds	1712 Sherman A B	3825 McCarty J E
7882 Humpty Dumpty Grocery	1716 Walsh E M	3828 Tyler L A jr
7884 Solomon Louis meats	1716 1/2 Vacant	3831 Ward C D (o)
7886 Solomon Louis	1720 Harrison W E	3834 Vacant
7888 Lindstrom Gus variety store	1720 1/2 Chavers Anthony	3837 Hill H J dentist
Wall intersects	1722 Vacant	3838 Townley Marion A (o)
at cor Wall Public Library La Jolla Branch	1722 1/2 Warden D H	3842 Porter J M
7890 Fleet G D confr	1724 Abbott C L	3901 Van Wageningen E S Mrs
7906 Arcade Building	1724 1/2 Scott Thos	3904 Haden J F
Baird L P barber	GLOBE (North San Diego)—North from 1 blk s of 3500 Bisbee	3907 Beetle E N Mrs (o)
Baird Mildred Mrs beauty shop	GLORIA—South from Franklin av bet S 48th and S 49th	3910 Kihmer O F (o)
Dill J E real est	307 Vinyard F A (o)	3911 Enholm Chris (o)
Kramer R M Mrs drsmkr	325 Knox Beulah Mrs (o)	3920 McKay J R (o)
Lazelle H G phys	GOLDEN GATE DRIVE (Mission Cliffs)—East from 700 Madison av to Campus av	3921 Thomas A E (o)
7910 Johnson Andw & Son gro	Delaware begins	Thomas J E
Patz T M meats	1202 Watts Ethelbert (o)	3933 Donlevy J C (o)
7911 La Jolla Librry Art Gallery	1205 Hall S F Mrs	3934 Everson C M Mrs
7915 Parker T A phys	1211 Stubbins L M Mrs (o)	3936 Cash Lilly M (o)
7916 Matthaal P L drugs	Harvey rd begins	Douglas intersects
7920 Mehas Alex restr	1219 Tomkns C F (o)	3951 McCreedy & McMillan billiards
7921 Betts Arth tailor	1229 Deputy E C	3952 Vacant
Zimmerman R F plmbr	1235 Stanton W J	3953 Bennett B R
7926 Smith J F dry gds	1240 Warner T H	Verhaege A K
7927 Western Union Telegraph Co	1245 Pfanstiel J G (o)	3957 Vacant
7929 Fenn's Inc ice cream	Maryland intersects	3962 La Tour Apartments
7931 Adams Val photog	1408 Roberts G D	Alexander C L Mrs
7939 Vacant	1404 Newsom R P (o)	Bode Helen M
Prospect intersects	1412 Hague W M	Donahue Nellie E
8002 Barlow W H clo clnr	1413 Haw H H	Dunfee Delia Mrs
8004 Vacant	1419 Gilbert G A (o)	Green Ellen
8008 Fulton Robt restr	1420 Brown T M (o)	Halgh E D Mrs
8039 Vacant	1428 Logsdon R O (o)	Herrill E R Mrs
8045 Vacant	1433 McElroy A J Mrs	Herrill Gilbert
8047 Jameson C F	Wilson S A Mrs (o)	Plate C F
Coast blvd intersects	1443 Baker A S plstr contr (o)	Vien G F Mrs
GLADIOLA (Pacific Beach)—East from Pendleton, 2 n of 2300 Beryl	1444 Rumbaugh H K (o)	3965 Thomas J F
GLEN ROAD (Encanto)—North from 550 Kenwood	Cleveland av intersects	3967 Kilday B E
GLENDALE AV—North from 2550 F to Broadway	1538 Barbachano R S	3970 Goldfinch Apartments
811 Roxburgh G R	4501 Mason S E	Chesebrough F G
812 Davidson A C (o)	GOLDEN PARK AV (La Playa)—North from 1 blk s of 3300 Lucinda	Duty R W
821 Hicks K H	820 Shropshire W B (o)	Hettlick H M
822 Lassam J H	845 Morton E K	Manss M E Mrs
826 Thayer E F	GOLDFIELD (North San Diego)—Northeast from 400 Georgia av	Russ T A Mrs
827 Davidson J C	GOLDFINCH—North from 3050 Horton av bet Hawk and Falcon	Tausche A L
835 Yenrick Noah (o)	3220 Shepard F V	Van de Veire Edw
839 Brannan L T	3242 Ryan T C	3971 Cooley H L
841 Derby G M (o)	3254 Organ W H	3974 Fire Dept Sta. No 8
845 Vacant	3255 Grayson C D jr	3975 Nagle D B (o)
E intersects	Upas intersects	3977 McDonough H L clo clnr
912 Johnson Johannah Mrs	3421 Griest W P	3981 Wlodarsky Felix barber (o)
925 Eastman Goldie Mrs (o)	3437 Toussaint R E	3983 Vacant
927 Beckstrom Andw (o)	3447 Turner T A	3987 Agan M J Mrs
942 Skinner Saml (o)	3451 Meyers J H (o)	Scott Harriet Mrs
Broadway intersects	3457 Remmers J H	Touhey M H Mrs
GLENFIELD—Southeast from 4300 Manzanita dr	Hawk intersects	3989 Safeway Stores Inc gro
3136 De Koven S H (o)	3644 Pisani Alessandro (o)	Washington intersects
3148 Hochart G H (o)	Sutter intersects	4003 Ltlot J B
3154 Vanderpool Louls (o)	3748 Boyle B F	Wilson R H dentist
Manzanita dr intersects	3752 Collins H T (o)	4004 MacMarr Stores gro
GLENWOOD (Pacific Beach)—East from 4100 Dalton, 1 n of Rosewood	3760 Coulter J W	4010 Mission Hills Garage
GLENWOOD DRIVE—West from 3570 Union	3768 Wilbur W J C	4011 Piggly Wiggly of San Diego Inc. gro
1500 Vacant	3769 Erlenborn O P (o)	Williams Andw Meat Co
1502 Begg Ellis	3775 Wright A F H (o)	4012 Chitwood J R (o)
1504 Bigelow G C		4019 Hagen Conrad bakery
		4020 Dick J A
		4021 Great Atlantic & Pacific Tea Co
		4027 Brown Emma Mrs (o)
		4030 Lagerberg C E
		4031 Harshaw O W
		4035 Parsons B G Mrs
		4038 Reese F M
		4046 Flores Bernabe
		Ft Stockton dr intersects
		4053 Klerstead J W
		4054 McLaughlin W V
		4061 Boulay M H Mrs
		4062 Brown F W (o)
		4068 Sullivan A E
		4069 Beale M W (o)
		4070 Hall W L

INDIA ST 1933

INDIA—Cont	2044 Fashion Cleaners	Thomas R W (o)
1534 Vacant	2058 Lee Andw gas sta	2860 Rice Earl
1536 Vacant	2065 Bernardi John	Palm intersects
1546 Taix Ernest whol baker	2047 Urtado Adolfo	2903 Vacant
1549 Thormahlen Camille Mrs	2069 Grossi Guisepe	2905 Grindl Anton (o)
1551 Vacant	Hawthorn intersects	2905 1/2 Vacant
1553 Vacant	2101 Vacant	2907 Shaw C S
1555 Vacant	2102 Schreiber L W gas sta	2909 Vacant
1557 Vacant	2107 Vacant	2915 Booty Mearl Mrs
1558 Hollingsworth A J iron	2111 Stagnaro steph	2921 Wood Edna Mrs
wks	2115 Cocca A M	2923 Kirkpatrick M T
Stewart C D horseshoer	2119 Linn Robt	2927 Hart T May (o)
1561 Vacant	2130 Duffy M J Mrs	2932 Woods J P (o)
1564 Vacant	2138 Hansen O M	2934 Diaz Thos
1565 Vacant	2140 Laws F R	2936 Cooper T H
1572 Catania Santo gro	2141 Roiz Henry	2940 Bisby W W (o)
Cedar intersects	2144 Benine A R	2944 Beard J H
1601 Middletown Auto Court	2146 Deese D E	2945 O'Dell J G
McNary J R	2150 Vacant	2952 Goularte H C Mrs (o)
1604 McDonough H L cio clnr	2157 Vacant	Hansen Harry
1608 Anna Kath Mrs	2159 Vacant	Olivera Frank
1616 Canapa Anthonio	Ivy intersects	Roiz Ulpino
1624 Carniglia J B	2202 Vacant	Quince intersects
1628 Mierlot Olive Mrs	2270 Diepholz Herman auto repr	3002 Renner Ida Mrs (o)
1629 Kurkowski Antony	Houghton & Evans gas sta	3009 Silva Jos
1631 Frontero Saml	Juniper intersects	3014 Vernielya J W
1632 Doran Manuel	2307 MacMarr Stores gro	3020 Bay View Apartments
1635 Campbell Alice Mrs	2311 Vacant	3040 West A A cio clnr
1640 Vacant	2312 Vacant	3042 Chase C S shoe repr
1642 Vacant	2314 Lane A P	3042a West A A
1645 Jensen B L auto repr	2315 Vacant	3044 Shlton A L
1646 Whitlock C P auto repr	2316 Gonzales Frank	3044a Warilla E F
1654 Edmlsten W H 2d hd gds	2317 Vacant	3046 Vacant
Weisgerber Chas cbtmkr	2329 Szalinski Frank (o)	3048 Bennett Lester
1655 Merkel Jos plater	2345 Phillipsen Johannes (o)	3053 Vacant
1665 Wilson Bessie Mrs	Phillipsen Laura Mrs real est	3054 Dann J F
Date intersects	2347 Lutz C L	3056 Le Clair Eliz Mrs gro
1702 Rein J A dry gds	2349 Cozine V S	Redwood intersects
1704 Bernardini Tony gro	2354 San Diego News Co	3114 McIntire T C
1710 Chiappi J A	2355 Lutz C L auto repr	3116 Turner D M
rear Marco Emilio	2361 Safeway Stores Inc gro	3141 Goldie Isabel Mrs
1712 Marlina Fred	2367 Wicker N O drugs	3153 Meyer Rae
rear Farro Andw	Kaimia intersects	3167 Vacant
1720 Zolezzi Italo	2401 Boss A R gas sta	3171 Bateman J B gas sta
1730 Brito Abel	2402 McDonough H L cio clnr	Spruce intersects
1731 Tingley A J 2d hd gds	2444 Asaro Antonio	3232 A-1 Cleaners & Dyers
1735 Tait Emli gro	2446 Sardo Saml	Duggan Philip
1738 Lagallo Isabel Mrs	2453 Fonteria Bartolo (o)	3256 Griffith R L
rear Lopez Frank	2466 Lulzzi Jas (o)	3265 Dawson J H garage
1740 Adamo Antonio barber	Laurel intersects	Stowell C A Trucking Co
1742 Adamo Nick shoe repr	2504 Theodore J S	Sassafras intersects
1743 Cunningham Herbt poultry	2508 Vacant	3325 Tuffley R L
1744 Vacant	2518 Madruga J F (o)	3341 Wilson John
1752 Zolezzi Aug (o)	2528 Smith J L	Wilson Vera Mrs
1753 Mattera Antonio gro	2530 Cleveland D C	3341 1/2 Torrance Thos
Elm intersects	2532 Vacant	3343 La Ferte L G
1804 Zolezzi Steph (o)	2540 Thurston Dorothy Mrs	3343 1/2 Mayes Lois
rear Lopez Michl	2544 Hall J A	3347 Garrett H E (o)
1823 De Santi Bartolo (o)	Reams J L	Thorn intersects
1823 1/2 Vacant	2548 Tennesen Andw	3462 Dingeman F J phys
1824 Georggin Andw	2554 Sabatini Dominic	3462 1/2 Garnett Geo
1826 Balestrieri Antonio (o)	2566 Haverkamp H D	3464 Clarke W E
1828 Piranio Peter	2568 Haley G A (o)	3466 El Francisco Apartments
1837 Nelson S A taxidermist	Haley H B	Dingeman F J (o)
1839 Guerra Frank	Maple intersects	2468 Lemon R F
1843 Gilbert John barber	2602 Rowe M M	Reissman J E
1843 1/2 Vacant	2615 Adair G E	3472 Reissman J E restr
1844 Shell Service Inc gas sta	2622 Fayes Wm	Upas intersects
1845 Cicalo John gro	2624 de Necochea Carolyn Mrs (o)	3512 Dougherty P D
Fir intersects	3630 Vacant	3514 Barham E G
1909 Bransby D C drugs	2630 1/2 Hudson Irene Mrs	3519 Lamoreaux P W (o)
1910 Pirnie Donald mattress mfr (o)	2657 Kazezski Stanley	3537 Lacey D S trusses (o)
1912 Kelley Lndy Co	2659 Hawks J B	Vine intersects
1917 Sparacino Max barber	2663 Kenyon Thos	Glenwood dr intersects
1918 Vacant	Nutmeg intersects	Walnut av intersects
1921 Stout Mary J restr	2701 Shaw Chas	3616 Tarver J E (o)
1923 Rodriguez Jesus	2742 McNaece J F	3620 Page S M Mrs
1943 Romaro John	Spillar Lon	Page S M & Son curios
1949 Sardina Thos	2742 1/2 Mara Bunice Mrs	3642 Baxter F W barber
1950 Kelley Lndy Co garage	2747 Simms F B	3649 Vacant
1953 De Angelo Angelo gro	2760 Vacant	Chalmers intersects
1955 Aylesbury A J meats	2764 Jones J H photo engr (o)	3661 Camp India auto camp
1989 Corrao Peter	Olive intersects	McNally G H
1970 Bohemian Distributing Co malt syrup	2801 Allen E H Mrs	3662 Mercuro John
Grape intersects	2804 Gardner Steph (o)	3664 Williams H K
2008 Cruz Jos	2805 Vacant	3667 Belcourt W F drugs
2010 Crivello Anoforo	2815 Vacant	3675 Sheinberg Sam gro
2012 Ygnacio Leon	2828 Vacant	3682 Vacant
2034 Ortday Paul vulc	2830 Quinci Paul (o)	3684 Wordsworth Fred
2036 Chapman L V shtmtiwks	2849 Reber Otto	3688 Godbout E L
Corrao Jos restr	2867 Clements Lennie Mrs	3690 Vacant
2042 Atkins H L	Kennedy Ann Mrs	3692 Massingill M E Mrs real est
Kelley G M		3697 Harrington T M Mrs gro

UPAS/INDIA 1933

SAN DIEGO HOUSEHOLDERS DIRECTORY (1933)

829

1632d Eves J W	3002 Tinkham M J	3436 Long F J
1634 Levy C A	3012 King L M Mrs drsmkr	3437 Zierke E C Mrs (o)
McNall N J Mrs	3016 Vacant	3441 Short Henry (o)
1834a McAuliff H C	3022 Larsen L F	3443 Harris Robt
1634d Granger Annie	3025 Kirkland C H Mrs	3446 Vacant
1642 Vanderlip Harold	3026 MacMarr Stores gro	Myrtle av intersects
1644 Joslin E F (o)	3028 Millam R M clo clnr	3501 Vacant
1646 Kenyon D E	Ray intersects	3502 Lykins C G (o)
1048 Frost Naomi Mrs	3032 Dean L N batteries	Lykins L H
Sereaton J R	Lynn H D gas sta	3511 Shell G R
1652 Neutroid Products Co	3040 Baker Edw auto repr	3512 Moskowitz Max (o)
1656 Broderick W S (o)	3060 Hammon Dora Mrs	3519 Dewing E H
1658 Downs T J	Grim av intersects	3520 Botkin C A Mrs (o)
Park blvd intersects	3065 Park Richd	3526 Smith T F
1714 Vacant	3074 Badger H A	3529 Claypool L E
1716 Madden P D	3075 McGregor Asenath Mrs (o)	3536 Bennett Jessie M (o)
1718 Thompson E E	31st intersects	3537 Moore H J (o)
1729 Webster M D Mrs	3108 Conchin A J	3543 Cummins C C (o)
1726 Fannin Ethel Mrs	3114 Vacant	3544 Stivers E H (o)
1728 1/2 Boone J D	3127 Faust C L	Capps intersects
1728 Vacant	Herman av intersects	3552 Lewis C E
1728 1/2 Malmsten V A	3162 Vacant	3553 Fowler C C Mrs
1730 Thompson R P	3174 Chrones Geo	3562 Wirick C R Mrs
1730 1/2 Ballard E A Mrs	32d intersects	3568 Hicks Lawson
1732 1/2 Anderson R J (o)	3215 Cord L E Mrs	3569 Carter W F
1734 Blair C F	3218 Barrows W T	3576 Matlick R E
1734 1/2 Manley K R	3224 McChristy B B	3577 Marvel A D (o)
1736 Bishop Julia	Bancroft intersects	3580 Johnson Anna C
1738 Vacant	3254 Carmichael Leonora Mrs	3583 Dawson J S (o)
1740 Hemphill H A dancing tchr	3271 Reed Wm	3592 Syllvis Amanda Mrs
(o)	3274 Wade D C	3593 Robinson R F
Indiana intersects	3316 Moreland C B	Dwight intersects
1800 Hillyer Curtis (o)	3317 Gregory W L	3605 Corn T J
Georgia intersects	3324 Heron P H (o)	3610 Davis M H
Florida intersects	Felton intersects	3611 Romero C S music tchr
2044 Baker D N	Gregory intersects	3619 McDaniel Irene Mrs
Barber C L	Boundary intersects	3620 Schiller Nathan
Alabama intersects	UPAS, WEST—West from 3400	3628 Fife J M Mrs (o)
2114 Frosios J M (o)	1st	3629 Johnson Rosa L
Mississippi intersects	102 Vacant	3635 Cope M B
2124 Rocco H M (o)	104 Holt N L Mrs	3640 Clarke F J
2126 Munro J F	106 Putnam R D	3644 Lowe Anna Mrs
2222 Eaton M E	108 Bowen M A	3646 Dahl H A
2228 Woodward F H	120 Vacant	3665 Shell C M (o)
Louisiana intersects	122 Ballantine H H (o)	Landis intersects
2306 Smith Roscoe	124 Vacant	3702 Cole W B (o)
2318 Williams F J (o)	126 Bell B S Mrs	3705 Rafferty Myra Mrs
2328 MacIntosh J A (o)	142 Dickey Ruth S	3709 Parsons E W
Texas intersects	144 Sullis Agatha L	3710 Lindsey H S (o)
2426 Willard F H jr (o)	146 Kerth J H (o)	3720 Munro G J J (o)
2436 Byrnes G F	148 Wadsworth H H	3721 Caldwell H K
Arizona intersects	Front intersects	3726 Vacant
2516 Skeels E L	Albatross intersects	3727 Adams J S
2518 Hamill J H jr	336 Vacant	3732 Link L J (o)
Arnold av intersects	Brant intersects	3736 Vacant
Villa ter intersects	410 Byrne Gerald	3737 McKee C W (o)
2612 Frisbie H L	Union intersects	3747 Holmes H T
2618 Vacant	1506 Bannon P D	3748 Mussey R E gro (o)
2620 Grant Robt (o)	1508 O'Brien Dorothy Mrs	Gunn intersects
2628 Stookey Lewis (o)	1512 Wickham V A	3753 Harris R E
Pershing av intersects	Columbia intersects	3765 Horton F M (o)
2704 Kleitsch Otto phys (o)	India intersects	3770 Jefferson School
2718 Stork Anna Mrs (o)	1711 Peters C A Mrs	3775 Barrows J R
2728 Alexander M A Mrs (o)	UPLAND (Encanto)—East from	3787 Sallsbury R A
2738 Vacant	1600 60th	3795 Silvergate Masonic Temple
28th intersects	6038 Swanson Jos (o)	Wightman intersects
Utah intersects	UPSHUR (La Playa)—West	3805 Fuller R M (o)
2832 Walker A O (o)	from 1050 Shafter, 2 e of Rose-	3815 Heimburge Max (o)
2853 Smyth H C Mrs (o)	crans	3821 Kibler N W (o)
2873 Krull C W	2936 Ball E A Mrs	University av intersects
2875 Coons E B	Rosecrans intersects	3919 Towers Clarence
Granada av intersects	3011 Cardoso J H	3920 Ayes M M (o)
29th intersects	URBAN AV—East from Eliza-	rear Vacant
2905 Vacant	beth, 1 s of Woolman av	3921 Beyman C E
2911 Sullivan D J	UTAH (University Heights)—	3927 Puntney F M
2917 Pendleton C H	North from 2850 E Upas	3928 Lee E J
2924 Humpty Dumpty Stores	3411 Robinson A H	3930 Weimer S V (o)
gro	3412 Markel J A (o)	3933 Parazette J B
2925 Marshall C B Mrs (o)	3419 Upjohn R T	3935 Honaker Kenneth (o)
Dale intersects	3422 Brogle J P (o)	3937 Nevegold R W
2926 Vacant	3429 Merry W L	3940 Kayton G D
2930 Belcher F C auto repr	3430 Kaidel J T	rear Castle G A
Faust C L gas sta		3941 Vacant
2965 Larsen L F meats		3945 Oneil Frank
2969 Oberg Enoch gro		3946 Kirtley E B gro
2975 Cavanaugh N P Mrs		rear Vacant
2981 Hill E J barber		3947 Sandon A C (o)
2983 Kincheloe Gussie beauty		3950 Gamble F O
shop		3953 Scholz J L (o)
30th intersects		3956 Byrne D O
		3960 Brink S B
		3963 McLeish D M
		3967 Sorenson R F (o)
		3970 Coppard F A (o)

VINE ST 1933

SAN DIEGO HOUSEHOLDERS DIRECTORY (1933)		833
4144 Shubert Fred	Myrtle av intersects	1417 Carpenter E P (o)
4145 Fitzgerald Isabel Mrs (o)	3504 Cowling W S	1421 McKinney J H (o)
Hayes av intersects	3512 Hall W J (o)	1449 Oates P A
4149 Richardson J A	3513 Carson W P (o)	Stallard W B
4150 Gill W C	3521 Carleton E F (o)	Stallard & Oates bldg contr
4151 Weiner Benj (o)	3522 Houston Herman	State intersects
4152 Bower E J (o)	3527 Flint P S	1501 Muehleisen Adolph
4154 Howard M A Mrs (o)	3528 Phelps Harold	1516 Gates A E
4176 Cruickshank Stewart (o)	3535 Edwards H J	1524 Likes Nell Mrs (o)
Grant David	3536 Renger Henry	VINE COURT—East from 1/2
VERONA COURT (Mission	3544 Manson J H	blk w of 750 S 29th
Beach)—East and w from Mis-	Thelan Wm	VIOLA (North San Diego)—
sion blvd, 7 s of Pacific av	3552 Knotts Jos (o)	East from 2200 Morena blvd
702 Turner H K (o)	3559 Neale C E	VIOLET—Southeast from 4050
711 Starr A L	3567 Hoffman A J (o)	Manzanita dr
722 Troup W F	3568 Anderson Inga Mrs	2511 Ritz C W (o)
724 Brown M A	3576 Robinson E H (o)	2518 Haley D P (o)
725 Lasher J S	3584 Ghio E A (o)	Sycamore dr intersects
729 Vacant	3585 Heatherly Maynard	Pepper dr intersects
730 Bonham Le Roy	3593 Winke A H (o)	2710 Furlong G W Mrs
Meyer C F	Dwight intersects	2721 Elliott G H
733 Vacant	3602 Tyson W L (o)	2738 Vacant
735 Vacant	3603 Beale E W	Manzanita dr intersects
Mission blvd intersects	3611 de Cigaran Vincent	2825 Hedger B F
804 Liftchild Chas (o)	3612 Weaver F E	2831 Seymour C R
811 Hill C R (o)	3617 Bath B T	2843 Blankenburg G A (o)
821 Vacant	3620 Keen C L Mrs	2846 Kelak R R
Bayside walk intersects	Stringer Cath Mrs	Poppy pl intersects
VESTA—Southwest from 3900	3623 Vacant	VIRGINIA (La Playa)—North
Acacia	3625 Cowle J M	from 1 blk s of 3550 Dudley,
1701 Harris C M gro	3628 Landt L H	2 e of Catalina blvd
1702 McLaughlin Arth	Mueller Barbara Mrs	VIRGINIA WAY (La Jolla)
1703 Salvation Army Hall	3629 Pierce P M (o)	(formerly College)—Northeast
Birch intersects	3635 Barber E C Mrs	from 7600 Girard av, 1 s of
Cottonwood intersects	3636 Baugher Claude (o)	Torrey Pines rd
2129 Vacant	3639 Bailey Paul	1176 Kessling A F
2131 Pulliam C E	3645 Whitten Herbt	1178 Corthals C C (o)
VIA DEL NORTE (La Jolla)—	3650 Gill Jas (o)	1182 Lynes Robt
West from 6100 La Jolla blvd	3655 Humble E H (o)	1186 Smith F M
203 Rubicam M A Mrs	3661 Henderson A E Mrs C S	High av intersects
Avenida Cortez intersects	pract	1190 Vacant
301 Fay Jessie Mrs	3662 Finnegan J J	1245 Cameron N B Mrs (o)
Vista de la Mesa intersects	3667 Sexton Lucy Mrs	1252 Edwards Grace
315 Turner H D (o)	3674 Wilson Eva Mrs	1257 Parkhurst E H Mrs
La Jolla blvd intersects	3675 Treantafeles Harry (o)	1263 Wylie W H
VICTORIA (El Cajon Extension)	3676 Bellhoff Albt	1267 Perce R W
—Changed to 69th	3693 Bailey L L (o)	1285 Williamson Arth
VIEW AV (La Jolla)—North	3694 Trask Ida Mrs	1287 Christie C L
from 1200 Bird Rock av	Potter K H	1299 Pepys H F (o)
VIEW PLACE (Normal Heights)	Landis intersects	Ivanhoe av intersects
—North from Adams av, 1 e	3704 Deem Billas (o)	1304 Vacant
of 39th	3714 Torbert J JJ (o)	1324 Chapman Florence
4718 Bennett J N (o)	3719 Stewart Blanche Mrs (o)	1328 Hutchinson J R (o)
4722 Vacant	3720 Blackerton W B	1342 Butts W M
4738 Nicholls GD	3725 Peery C F	1345 Morse J L
4732 Rooney Annie Mrs	3730 Merrill E R (o)	1350 Vacant
VIEW POINT DRIVE—North	3735 Vacant	1352 Vacant
from 2050 West Columbia	3736 Vacant	1361 Miller Harvey jr
VIKING WAY (La Jolla)—	3738 Pollard R H	1364 Crowell H H (o)
(Formerly Hillside dr)—North	Pollard Virginia (o)	Exchange pl intersects
from 1850 Torrey Pines rd to	3745 Heston Carl bldg contr	1400 Barlow A H
Newport ter	3746 Schlager Jos	1411 Mason Walt (o)
1821 Foote G F (o)	3748 Hudson R L	1414 Vacant
7479 Ferguson W M	3750 Lucke L E	1436 Vacant
7956 Hutchinson P H (o)	3751 Newton E R	1437 Hall F J (o)
7979 Vacant	3752 Forbes J S	1440 Curtis Frazier
7981 Vacant	3761 Buis J W (o)	1454 Wernham G T (o)
7988 Rose W J (o)	3762 Davidson Clyde	1461 Putnam S O
VILLA DRIVE (Loma Portal)	3766 Ash Kath Mrs	1475 Tinker U W
—North from 2100 Chatsworth	3767 Gault W W (o)	Prospect pl intersects
blvd	3768 Seaman L S	1522 Flint Helena (o)
2610 Vacant	3770 Steele A M (o)	1533 Vacant
2636 Cutler D R (o)	3775 Goldsmith C T (o)	1540 Slater Ann Mrs (o)
VILLA TERRACE—North from	3776 Gordon Henry	VISTA (Kensington Park)—
2600 E Upas	3783 Freeberg O E (o)	North from 4260 Madison av
3420 Turple W A	3788 Sundberg Edw	4503 Jordan Madeleine M
3428 Bennett J N (o)	Sundberg R M	4510 Shadburn A C
Bennett W J	3794 Bowie C G Mrs (o)	4511 McClary D B (o)
3438 Bishop Winifred	Bowie E J	4519 O'Neil J T
3439 Coahran W R (o)	Wightman intersects	4525 Rothert W F
3446 Overcash Frank	3803 Mager Edwin (o)	4531 Williams J R
3447 Anderson E O	3806 O'Meara Kath Mrs (o)	4540 Dodge L H
VINE—West from 3550 Union	3811 Vacant	4546 O'Neil M J (o)
1405 Cox Howard	3812 Everts H S	4549 Ryberg S A (o)
	3814 Holtman John	4566 Denison F E
	3815 Vacant	4576 Le Conter H G (o)
	3817 Vacant	
	3819 Brown M F	
	3830 Thomas L S	
	3837 Benson Henry	
	University intersects	

WALNUT AVE W 1933

SAN DIEGO HOUSEHOLDERS DIRECTORY (1933)

3730 Batterson J L	1034 Wells John K Inc real est	1717 Davis H M
3738 Cox J B	1035 Kirshbaum Louis tailor	
Nelson W A (o)	1037 Hunter L G Mrs restr	WALTON PLACE—East from
3752 Puryear O R Mrs (o)	1039 Butler B H furn	Ohio bet Monroe and Madison
Wightman intersects	1041 La Jolla Light (weekly)	av
3824 Diaz Hesouse	1044 La Jolla National Bank	3057 Allen H B
3824 1/2 Tierl Camillo	1049 Oliver F W lawyer	3060 Fiedler J E (o)
3825 Reaser J K	1051 La Jolla Guarantee Build-	3061 Hay Lena Mrs
3832 Whitlatch Wm	ing-Loan Assn	3064 Fahsel F G (o)
3842 Lee C H	Herschel av intersects	3069 Lang C W (o)
3850 Wormington E W	1109 Vacant	3070 Brockmeyer E F (o)
3858 Vacant	1111 Stimson F L bidg contr	3074 Klmrough C E
3860 Snodgrass Carl	1113 Shepherd T L office	WARD ROAD (Normal Heights)
3867 Danna Anna Mrs	1115 Rogers M B Mrs drsmkr	(To Camp Kearney via Mur-
3869 Hill H H auto repr	1117 Carter W C osteo	phy Canyon)—East from Cher-
3871 Taplin G O gas sta	Hoogbruin L P osteo	okee av to Madison av
University av intersects	1119 Shepherd Ruth Mrs interior	3716 Pickett G D
3902 Harrington Alvin gro	dep	3720 Eddy C C
3914 Dodson E E Mrs	1122 Steckler Jos	3728 Haynes Alice G (o)
Olson Kenneth	1123 Nicholas Richmond ins	3736 Braly M C Mrs (o)
rear Evans S B Mrs	1124 Vacant	3752 Vacant
3926 Jones-Graham Nursery	1125 Vacant	3760 Tripp J F (o)
3930 Harrington Alvin	1128 Vacant	3767 Zarneke Wm
Lincoln av intersects	1134 Smith C R Mrs drsmkr	3768 Marshall G E
4002 Muelheisen E F	1140 Vacant	3773 Caum Russell
4018 Baldwin Ida Mrs	Ivanhoe av intersects	3778 Ireland Velma Mrs nurse
4022 Oswalt J H chiropractor	WALLACE (Old Town)—North-	3786 Grant F F
rear Knowlen H W	east from 2800 Davis	38th Intersects
4023 Springs G R (o)	4090 Old Mission Packing Corp	3818 Tyrrell Oscar (o)
4029 Adkinson J L	Juan intersects	WARNER (La Playa)—West
4032 Skinner W D (o)	4104 Moss T E	from 650 Silver Gate Av
4035 Sanders Jas	4105 Vacant	WARRINGTON (Ocean Beach)
4036 Martin C E (o)	4109 Vacant	—Northeast from Wildwood
4039 Oriental	4115 Vacant	rd, 1 w of 1700 Chatsworth
4044 Phillips Monroe	4119 Vacant	bivd and ne from 3800 Tenny-
4045 Williams C A (o)	4134 Serrano L A (o)	son
4050 McManning Lucy Mrs	4136 Presidio Hills Golf Club	1740 Timmons J K (o)
4051 Goodwin W R (o)	WALLACE COURT—North from	2120 Chadwick R W
4060 Jones C H (o)	National av, 1 e of 39th	WASHINGTON (Mission Hills)
4061 Stone Harry	912 Cartledge Geo (o)	—East from 4000 1st
4068 Edmonds Benj	927 Wilson Wm (o)	105 Mission Dry Cleaners
4074 Alessio Rose Mrs (o)	931 Brook S R (o)	109 Myers J E
4077 Vacant	WALNUT AV—East from 3500	120 Wheeler E M Mrs
4082 Dreesen Wm	1st av	121 McCarty F W (o)
Polk av intersects	100 Brlaton F L Mrs (o)	126 Stallard W W
4102 Kirk B H	115 Anderson J H	128 Dlevendorff M D
4103 Scovel W H	Brown J H	130 Wiback A O
4109 Anderson J E (o)	Butters W S	132 Caswell W D
4110 Taylor O C	Hanson R H	3d av intersects
4115 Jones J B	140 Day H B (o)	302 Miller H T used cars
4120 Brown Caroline D (o)	2d av ends	317 Allen J L auto top mfr
4128 Shirley Inez Mrs (o)	3d av ends	Gower N C auto pntr
4133 Quincl Vito (o)	303 Rldout L C (o)	Rouse B E garage
4134 Pearson Chas	306 Barker A T Mrs (o)	330 Casa de Ora Apartments
4140 Solomon C E	328 Putnam Annie R (o)	Askew W E Mrs
4141 Machholz Edw	335 Fletcher Ed (o)	Gleason J M
4148 Penner J D	4th av intersects	Grady C V
4151 McCoy Jos	418 Morlarty E M Mrs	Hudnall J H N
Smith Ernest	420 Christopherson E H phys	Kimbrell L O
4156 Lucas W J	Sharp R G phys	Murphy M P
4157 Shephard Paul	430 Bartlett W E	Roth J M
4164 Royal Assuna Mrs (o)	5th av intersects	Walter J E
Royal Loula	WALNUT AV, WEST — West	William Margt
4167 Jensen J M (o)	from 3500 5th	336 Womans Exchange
4172 Maher J J	111 Brust M S (o)	342 Fourth & Washington
4174 Ryan E B Mrs	117 Flint J K Mrs (o)	Florists
4175 Straff T N (o)	130 Dean E H Mrs (o)	345 Union Serv. Sta.
4189 Hoffner B J (o)	Hunter B B	4th av intersects
Orange av intersects	Front intersects	412 Perry N F Mrs kinesopath
WABASKA DRIVE (Loma Por-	204 Fisher J W (o)	(o)
tal)—	205 Vacant	422 Hutchings A H Mrs florist
2714 Miller G T	211 Fay W S	427 Norell R M Mrs beauty shop
WADDELL TERRACE (Normal	Hartung E W	5th av intersects
Heights)—North from Sun-	230 McDowell M J Mrs (o)	512 Vacant
crest dr, 1 e of Boundary	246 Case N B Mrs (o)	630 Alexander D S C
4837 Vacant	Albatross intersects	832 Pre-Mixed Concrete Co Inc
4839 Pease A B (o)	315 Kendall J M (o)	836 Brown Truman
4840 Woods Jennie Mrs	321 McVey Margt (o)	840 Webb G A (o)
WALL (La Jolla)—East from	605 Taylor W F	842 Randall I W
7879 Girard av, 1 s of Prospect	Hawk intersects	9th av intersects
1002 La Jolla Public Library	1021 Cary Frances R (o)	910 Burkholder C L Mrs (o)
1003 Chessman G W	1025 Lundln John (o)	912 Stewart Edw
1025 Hassard Q M dentist	Ibis intersects	936 Vacant
1026 Vacant	Jackdaw intersects	WASHINGTON, WEST (Mis-
1028 Vacant	Union intersects	sion Hills)—West from 4000 1st
1030 Unity Society of Practical	1390 Cook H A	100 Prantice B H gas sta
Christianity br	1504 Vacant	110 Vacant
1031 Vacant	1512 Meyer F W (o)	112 Wallick C N drugs
1032 Welfare Shop		
1033 Matlaw A P clo clnr		

KETTNER BLVD 1927

Phone, Franklin 5546 444 Spreckels Bldg., 121 Broadway

938 STREET AND HOUSEHOLDERS' GUIDE (1927)		
KENSINGTON DRIVE—Cont		
4608 Wheeler F I	1202 McClintock Storage Ware-	B 2607 Vacant
4609 Stuber J C	house Co	2609 Cartright Wm
4612 Woodworth W H	Reed R W tires	2611 Vacant
4615 Brandis A E	Russell Parachute Co	2621 deNecochea J M bldg contr
4620 Johnston C W		2623 Vacant
4621 Vacant	1306 Vacant	2629 Garcia Piedad
4626 Howley J J	1312 Vacant	2651 Zivin F M
4627 Peterson H N	1314 Vacant	2653 Nosker Geo
4632 Eckert W J		2680 Barth Foundry & Machine
4638 Rand U Z		Wks
4641 Vacant	1406 Reese Oscar	2690 Hensley & Siebert mach
4643 Konieczny J C	1420 Billings G W	Nutmeg
4647 Spurbeck G H	1436 Cesena Ramona Mrs	2700 Special Service Flooring Co
4648 Vacant	1442 Delgado Jesus	2739 Vacant
4651 Vacant	1456 Hollis Willie Mrs	2741 Garcia Jose
4670 McDermott Lawrence	1470 Galupl Tony	2753 Ramirez Louis
4676 Klicka Fredk	1473 Avilez Ventura	Olive
4680 Goodwin E C	1508 Garcia Jos	2805 Ghio Mateo
4684 Anderson A J	1516 Hercules Oil Co	2808 Tobin A W
4685 Fulton Frank	1532 Tarantino Jos	2812 Le Clair Bert gro
	1543 Giacalone Peter	2815 Zolezzi Jno
		2825 Massa Louis
4719 Summer J H	1610 Warner G M	Cedar 2941 Tipton Susan Mrs
4720 Kemp H J	1614 Hall Woodworking Co	2942 Meillieur W A
4725 Ohlger C E	1648 Canepa Jno	2953 Gordon Frank
4726 Sonnabaum J R	1650 Vacant	2962 Leesman G J
4732 Sachtleben C F		Quince
4733 Hale W P	1718 Farcia Jos	3003 Parker A L
4738 Vacant	1719 Tasso Vincenzo	3017 de Necochea E J
4740 Kimball T L	1745 Vattuone Givo	Mallon Mary M
4741 Greaves C S	1753 Bregante Gerolimo	3019 Richard F E
4745 Parkhill E E Mrs	1765 Corona Jos	3040 Oyler Blanche Mrs
4750 Belfort L E	1781 Carniglia Jno	3041 Allen C L
4756 Martin F C		3043 Seward O G
4757 Kahrs Frank	1907 Carniglia Augustine	3045 Latimer J T
4760 McCune W A	1915 Hardy Minnie Mrs	Redwood
4769 Lawrie W S B	1929 Berardini Jos	3105 Koehler Amella Mrs
4771 Vacant		3111 Van Arum Jno
4817 Arthur R S	2054 Zolezzi Italo	Spruce
	2055 Cordilano Benedicto	3205 Thompson J D gas sta
	2056 Ghio Jno	3242 Vukich Lale
4867 Vacant	2056 Castagnola Felice	3245 Ogle N S
4876 Kiskadden W E	2071 Ghio Augustine	3247 Phillipson Edw
4885 Longsworth C R		Hawthorn
	2112 Stackhouse H J gas sta	3300 Modern Construction Co
4910 Vacant	2115 Flammini Jos	gentl contrs
4921 Stoddart Geo	2131 Conyno Lorenzo	Roberts Jno
4925 Vacant	2136 Benton Roof & Paint Co	factory
	2151 Gaetano Lugalla	Union Warehouse & Stor-
	2167 Martinez Mateo	age Co
	Quinones Natividad Mrs	Wilson W H bldg matl
5010 Vacant	2169 Vacant	3370 Duggins Russell
5011 Manzek R H	2177 Glamanco Carlos	Soars M B
	2177 Rodriguez Pedro	Thorn
		Ivy
KENT AV (Pacific Beach)—	2201 Adams-Henry Co tea and	3441 Brown J D
North from bay, 2 west of	coffee	3455 Vacant
4100 Grand av	2227 Canepa Andw	3465 Lewis Jno
	Sanfilippo Mariano	Upas
KENWOOD (Encanto)—East	2251 Cresel Gaecano	Vine
from Glen rd, 2 south of	2253 Milanese Andw	Hancock begins
Radio dr		3550 Church Walter Super Serv-
	2308 S D Macaroni Mfg Co	ice
	2321 Zolezzi Steven	Walnut av
	2327 Massa Lazzaro	3600 Century Lumber & Mill Co
	2328 Carrillo Felix	3605 Taylor H J
	2345 Caltano Piro	3611 Asaro Jos
	2347 Siragusa Jos	3619 Lopez Jos
	2349 Miranda Juan	3631 Boggonia Jos
	2367 Pressley Wm	Chalmers
	2368 Standard Mattress & Furn	3663 Reynolds P A chiro
	Inc	3667 Taylor Bros sht mtl wks
		3679 Sherman Dorothy Mrs
	2400 Ingrassio Lorenzo	3681 Vacant
	2419 Castagnola Luigi	3683 Vacant
	2433 Miranda Saml	3695 Vacant
	2435 Garcia F A	Winder
	2443 Navarra Carlo	3702 McFarland B J
	Sanfilippo Antonio	3730 Peterson T D drug mfr
		3744 Koehl G J
	2521 Young Otto	3747 Palomar Laundry
	2528 Hazard R E Contracting Co	Andrews
		3779 Vacant
	2605 Vacant	3785 Vacant
		3797 Fowler E W

CALIFORNIA ST 1927

862 CALIFORNIA ST			1927		
STREET AND HOUSEHOLDERS' GUIDE (1927)					
CALIFORNIA—Cont			CAMPUS AV (Mission Cliffs)—		
3005 Ghio Domingo	Quince		—East from junction of Hick-		
3015 Busco Jno			ory, Taylor and Morena blvd,		
	Redwood		up Mission Canyon		
	Spruce		mi e Old Town Bridge S D		
	Sassafras		Auto Camp		
	Thorn		CAMPUS AV (Mission Cliffs)—		
	Upas		Northwest from 4100 Park		
	Vine		blvd		
	Walnut av ends		Park blvd		
	Kurtz begins				
3625 Stanton Jno		4124	Smith A E Mrs		
3637 Stuhr Nels		4132	Rosie W S		
3645 Quintero Angel		4140	Sautter BF		
	Chalmers ends	4144	Church of the New Jerusa-		
	Bean ends		lem		
	Winder ends		rear Wentworth W D		
3719 Vacant		4156	Curtis G M		
3721 Hart C D			Tyler av		
3729 Vacant		4204	Clayton A M Mrs		
3731 Vacant		4220	Manny Adelaide Mrs		
	Anderson ends		Waugh Bessie		
3751 Long Island Service Station		4226	McLoughlin Mary Mrs		
	Harasthy ends	4242	Sparks Apts		
	Moore begins		Sparks H J		
3779 Stanton P A auto repr			Moore W H		
3781 Vacant			Perry E E		
3783 Walker L T gro		4268	Boughton Helen		
3785 Five Points Realty Co		4270	Torrey Apartments		
3787 Henkel F W E			Barnes H E		
	McKee ends		Belliss W B Rev		
3789 Henkel F W C phys			Cord Louise		
3791 Bryanton Frank barber			Els L R		
3793 Thurston G O restr			Lorenz G E		
3793 1/2 Green S P			Olsen K O		
3795 Green S P gro			O'Neil Isabel Mrs		
			Seigel H J		
			Smith F L		
			Stehlik Steven		
			Stipek F J		
			Wilson A C		
			Wooden Mildred A		
3801 Stahl & Hatch restr			Van Buren av		
3810 Robertson W M gas sta		4320	Gransmore Anna J nurse		
Thompson O M tires			Haycock A J S Mrs		
3811 Cornell G H			Johnston C C		
3817 Rule R E cix eng			Kyle R R		
3819 Harsha M E Mrs			Smolan Morris		
Webber C H			Hogge F W		
	Clayton ends		Wilder A A		
3831 Taylor R E		4344	Cooper Isabel		
3835 Gibbs Lyda Mrs			rear Watkins Lillian Mrs		
Johnson I M bldg contr		4346	Dodge E S		
3836 Casteel W G		4352	Neale C E		
	McNealy ends	4360	Ator C T		
3873 Bay View Auto Camp		4368	Boidman O L		
Birkett Geo		4370	Kullion M A Mrs		
Carswell Ethel Mrs gro		4378	Vacant		
Solari Frank		4386	Beach I E jr		
	Sutherland ends		Meade av		
	La Jolla av begins				
	Stone ends	4400	Tloersch A M		
3917 Harmon J W		4412	Olson A C		
3919 Dutcher C E		4415	Phillip J M		
	Noell ends	4418	Cannegieter F H		
3929 Brown Geo		4421	Kelley P D		
3930 Kohl C N		4424	Jones E G Mrs		
3931 Lyons S P		4429	Mitchell Barnett		
	Henry	4432	Hitt Julia Mrs		
3965 Vacant		4460	Warden E C		
3971 Dick Jane		4451	Beck A M Mrs		
		4453	Gillett J A		
			Greer V H		
		4454	Arnett W C		
		4455	Vacant		
		4457	Scovel W H		
		4458	Westfall G B		
		4459	Douglas A E		
		4460	Roth W C		
		4461	Upp L J		
		4463	Powell E H		
		4464	Bruce Anna Mrs		
		4467	Ruplinger P L		
		4472	Sorenson O C F		
		4476	Jones M A		
		4478	Simmons F T		
		4481	Rockwood E A Mrs		
		4494	Wilder L A		
		4495	Holladay M P		
			Monroe av		
		4502	Williams R M		
		4510	Vacant		
		4514	Vacant		
		4519	Andersen Carl		
		4520	Widbin E C		
		4527	Ogle E E		
		4528	Bennett Theo		
		4532	Mayhew E L		
		4534	Goodsell J D		
		4536	Seaman Thos		
		4537	Krape E B		
		4540	Vacant		
		4544	Newsom R P		
		4545	Green J O		
		4548	Hampton E K		
		4553	Young Margt E		
		4554	Dart E L		
		4560	Jacob E C		
		4561	Charroin A B		
			Charroin June Mrs, artifi-		
			cial flowers		
		4562	Bloomberg G M		
		4563	Tefft L T		
		4565	Stevenson J E		
		4570	Singletary L B Mrs		
		4572	Boughton R W		
		4573	Arnold E E Mrs		
		4574	Vacant		
		4577	Huston W S		
		4578	Swalm C C		
		4582	Capelle C F		
		4583	Vacant		
		4585	Vacant		
		4587	Vacant		
		4589	Vacant		
		4591	Hennig H A		
			Madison av		
		4605	Revere Apartments		
			Loucks E W Mrs		
			Pontius K L Mrs		
			Williams C R		
			Williams J L		
		4616	Wall C E		
		4617	O'Brien J B		
		4617 1/2	Dryer Melvin		
		4618	Sykes C S		
		4619	Durbin H C		
		4619 1/2	Bingham Myrtle		
		4621	Fisher B P		
		4621 1/2	Ryder C H		
		4624	Barney M G Mrs		
		4627	Ryder M D		
		4628	Carter Belle Mrs		
		4634	Farleigh D L		
		4637	Hackett A L		
		4638	Klein Markus		
		4640	Caldwell C C		
		4647	Benger Wm		
		4653	Bristol K V Mrs		
			Kennedy G L		
			Trench F P		
		4654	Vacant		
		4655	Maxwell L B Mrs		
			Golden Gate dr		
		4661	Sunderhauf Agnes Mrs		
			Adams av		
			CCAMULOS (Ocean Beach)—		
			Northeast from 4300 Montalvo		
			CANON (La Playa)—Northwest		
			from 3 bike south of 1100		
			Rosecrans		
		2710	Hovden K Co fish cannery		
			Shafter		
		2829	Mitchell Frank		
			Scott		
		2910	Tavares Joaquin		
		2911	McConaughy Helen Mrs		
		2935	Nunez Dominguez		
			Texeria Jos		
			Rosecrans		
		3009	Leonard & Son gro		
			Leonard G P		

115
 116
 117
 118
 119
 120
 121
 122
 123
 124
 125
 126
 127
 128
 129
 130
 131
 132
 133
 134
 135
 136
 137
 138
 139
 140
 141
 142
 143
 144
 145
 146
 147
 148
 149
 150
 151
 152
 153
 154
 155
 156
 157
 158
 159
 160
 161
 162
 163
 164
 165
 166
 167
 168
 169
 170
 171
 172
 173
 174
 175
 176
 177
 178
 179
 180
 181
 182
 183
 184
 185
 186
 187
 188
 189
 190
 191
 192
 193
 194
 195
 196
 197
 198
 199
 200
 201
 202
 203
 204
 205
 206
 207
 208
 209
 210
 211
 212
 213
 214
 215
 216
 217
 218
 219
 220
 221
 222
 223
 224
 225
 226
 227
 228
 229
 230
 231
 232
 233
 234
 235
 236
 237
 238
 239
 240
 241
 242
 243
 244
 245
 246
 247
 248
 249
 250
 251
 252
 253
 254
 255
 256
 257
 258
 259
 260
 261
 262
 263
 264
 265
 266
 267
 268
 269
 270
 271
 272
 273
 274
 275
 276
 277
 278
 279
 280
 281
 282
 283
 284
 285
 286
 287
 288
 289
 290
 291
 292
 293
 294
 295
 296
 297
 298
 299
 300
 301
 302
 303
 304
 305
 306
 307
 308
 309
 310
 311
 312
 313
 314
 315
 316
 317
 318
 319
 320
 321
 322
 323
 324
 325
 326
 327
 328
 329
 330
 331
 332
 333
 334
 335
 336
 337
 338
 339
 340
 341
 342
 343
 344
 345
 346
 347
 348
 349
 350
 351
 352
 353
 354
 355
 356
 357
 358
 359
 360
 361
 362
 363
 364
 365
 366
 367
 368
 369
 370
 371
 372
 373
 374
 375
 376
 377
 378
 379
 380
 381
 382
 383
 384
 385
 386
 387
 388
 389
 390
 391
 392
 393
 394
 395
 396
 397
 398
 399
 400
 401
 402
 403
 404
 405
 406
 407
 408
 409
 410
 411
 412
 413
 414
 415
 416
 417
 418
 419
 420
 421
 422
 423
 424
 425
 426
 427
 428
 429
 430
 431
 432
 433
 434
 435
 436
 437
 438
 439
 440
 441
 442
 443
 444
 445
 446
 447
 448
 449
 450
 451
 452
 453
 454
 455
 456
 457
 458
 459
 460
 461
 462
 463
 464
 465
 466
 467
 468
 469
 470
 471
 472
 473
 474
 475
 476
 477
 478
 479
 480
 481
 482
 483
 484
 485
 486
 487
 488
 489
 490
 491
 492
 493
 494
 495
 496
 497
 498
 499
 500

CHALMERS/KETTNER BLVD 1927

866 STREET AND HOUSEHOLDERS' GUIDE (1927)			
Y AL NC. S IG B	CERRO GORDO AV — North from G, 1 East of 27th	3686 Geissler E E	4163 Davis M T Mrs
	727 Thomas Edw	3687 Taylor R M	4165 Angle Bruce
	732 Becker P A	3691 Vacant	4172 Williams Lora
	750 Becker J F	3696 Lough J H	4175 Nichols A J
	835 Whitmoyer L S	3701 Vacant	4176 Buckles C A
	CHALCEDONY (Pacific Beach) —East from 4800 Ocean blvd	3705 Lovell A A Mrs	4181 Werner Margt Mrs
	Ocean blvd	3706 Ferguson Wm	4182 Vacant
	Allison	3711 Phillips Edgar	4195 Holman W H
	Bayard	3721 Finacom G V	4207 Bacon A E Mrs
	Cass	3722 McFarland D A	4218 Ensign Dewey
Dawes	3725 Acarrier L M	4220 Tiller Henwood	
Gresham	3733 Kellogg I R	4226 Tabelling Fred	
Haines	rear Adams H J	4227 Hotchkiss Paxton	
1564 Christensen P C	3736 Thoren Adolphe	4232 Zimmerman Walter	
Ingraham	3738 Stevenson W L	4233 Barnes C M	
Kendall	3743 Lyon Anna Mrs	4242 Perrine C H Mrs	
Lamont	3744 Ramler L M	4250 Aigro A C	
1829 Rounds E R	3746 Walker J L	4258 Jenkins C D Mrs	
1838 De Frenn Ferdinand	3747 Vacant	4261 Morton E H	
1984 Brachmann F E	3750 Chamoune Apartments	4269 Bishop Walter	
Noyes	Silvey Wm	4277 Williams Walter	
nw cor Martinez Conception	Waldrup Kelvin	4315 Roberts J G	
Oliney	Wedding F A	4322 Hinkle D M	
Pendleton	3751 Fraser I A Mrs	4324 Satterlund Charlotte Mrs	
Quincy	3757 McGregor E B	4332 Colbert W W	
Randall	3758 Allen P B	4334 Vacant	
Pico	3762 Sigler David	4358 Vacant	
CHALMERS—Southwest from 3700 State	3766 Solomon M E Mrs	4371 Merritt W E	
State	3769 Beamer A E	4374 Hart A L	
Columbia	3777 Schultz C C	4382 Smith J W	
India	3778 Getz G F		
1809 Petrich Paul	3784 Veblen A A		
1823 Vacant	3791 Newell Jas		
1831 Bandimor Ernest	3803 Vacant		
Kettner blvd	3803 Johnson Fred		
California	3811 Shannon E J Mrs		
CHAMBERLAIN COURT (Ocean Beach)	3816 Murray Lloyd		
2209 Haskins F A Mrs	3820 Osborne Margt Mrs		
2211 McCool Ernest	3821 Button F G		
2211½ Vacant	3827 Scrivner Jas		
CHAMOUNE AV (East San Diego)—North from 4550 Quince	3828 Graser M E		
Quince	Roebol Cornelius		
3049 Baker J W	3830 Graser W A		
3067 Clark C E	3837 Ensign Stanley		
3128 Kinbrell L O	3838 Taylor Emanuel		
3134 Vacant	3845 Wineland Saml		
3148 Seely O M	3849 Vacant		
3207 Filipot M E Mrs	3850 Lester C J		
3222 McCormick R L	3851 Downing C M		
3311 Tudor E S Mrs	McLeod Priscilla Mrs		
3315 Athey S L	3854 Fleetwood T E		
3319 Vacant	3880 Greenidge Frank		
3340 Vacant	3889 Forbes N L		
3352 Hinkley D H	3878 Legg C R		
3427 Cullymore A F	4009 Dinamore I W		
3430 Ruiz Raymond	4019 Ferron S V Mrs		
3438 Kelley A S	4022 Shepherd Jas		
3493 Howe J C	4029 Stark Freda Mrs		
3554 Kiel W L	4030 Creakmur A S		
3555 Whitney F W	4035 Chambers J D		
3562 Kiel C J	4038 Faveler D C		
3576 Faulkner O W	4041 Kelly H A		
3578 Rafallovich Nich	4042 Goad C N		
3606 Rose E U	4047 McInnes S W		
3610 Vacant	4050 Vacant		
3612 Vacant	4051 Skinner H W		
3614 Vacant	4058 Auboless M O		
3641 Clements Saml	4059 Davenport Bernice		
Wilkins C E	4061 Marshall W J		
3657 Kelly T L	4066 Patton G H Mrs		
3663 Jamison J G	4068 Duffett Belle Mrs		
3671 Clark Minnie Mrs	4073 Connet O M		
3680 Vacant	4078 Hatfield J A		
3681 Hostetler C L	4082 Smith R G		
	4087 Sims Ruth Mrs		
	4093 Brownell N L		
	4110 Bower E M		
	4118 Sargent A H		
	4122 Vacant		
	4134 Hunter J W		
	4143 Crew W S		
	4154 Vacant		
	4157 Magee H H		
	4158 Pleasant C D		
	4163 Davis M T Mrs		
	4165 Angle Bruce		
	4172 Williams Lora		
	4175 Nichols A J		
	4176 Buckles C A		
	4181 Werner Margt Mrs		
	4182 Vacant		
	4195 Holman W H		
	4207 Bacon A E Mrs		
	4218 Ensign Dewey		
	4220 Tiller Henwood		
	4226 Tabelling Fred		
	4227 Hotchkiss Paxton		
	4232 Zimmerman Walter		
	4233 Barnes C M		
	4242 Perrine C H Mrs		
	4250 Aigro A C		
	4258 Jenkins C D Mrs		
	4261 Morton E H		
	4269 Bishop Walter		
	4277 Williams Walter		
	4315 Roberts J G		
	4322 Hinkle D M		
	4324 Satterlund Charlotte Mrs		
	4332 Colbert W W		
	4334 Vacant		
	4358 Vacant		
	4371 Merritt W E		
	4374 Hart A L		
	4382 Smith J W		
	CHANTECLER AV (Encanto) —East from S 86th, 1 South of Detroit av		
	CHAPMAN PLACE (Roseville) —East from 3550 Del Mar av		
	CHARLES (La Playa)—West from 1 blk East of 750 Silver Gate av		
	3552 Vasquez A H Mrs		
	3625 White Ross		
	3628 Johnson J S		
	CHATSWORTH BLVD (Ocean Beach)—East from 1450 Catalina blvd		
	Catalina blvd		
	Pescadero av		
	Orchard av		
	Del Mar av		
	Byron		
	Coronado av		
	Dickens		
	Wildwood rd		
	Goethe		
	Jarvie		
	Ridge rd		
	Arlington dr		
	Macaulay		
	La Cresta dr		
	Oilphant		
	1921 Heath T T		
	Wawona dr		
	Poe		
	Quimby		
	2080 Daily Market gro		
	Jaeger H R		
	2089 Munson Chester		
	Tennyson		
	Voltaire		
	Terrace walk		
	2335 Point Loma High School		
	Alcott		
	Browning		
	2500 Bridges A S		
	Curtis		
	Dumas		
	2601 Georgia A R		
	2608 Fenton H G		
	Elliott		
	Freeman		
	2702 Fenton Laura E		

"BEST OAK FLOORING IS BEST"

COLUMBIA PL 1927

Y - COMMUNITY MAUSOLEUM - CREMATORY - COLUMBARIUM

372 STREET AND HOUSEHOLDERS' GUIDE (1927)	
COLUMBIA—Cont	Hawthorn
1529 Smith N H Mrs	2118 Ghio E J
1530 Villasenor Fernando	2121 Giacalone Ignacio
1531 Cox Jas	2130 Gangitano Vito
1542 Viole Frank	2133 Davenport R L
1543 Murray A M Mrs	2135 Case R T
1544 Gonzalez Tony	2136 Bregante Antony jr
1545 Higgins C D	2141 Sneff G L
1547 Vacant	2146 Bregante Antony
1549 Brannigan Anna Mrs	2154 Svejda Jas
1555 Phillips G P	2155 Benner R P
1557 Latoni Mark	2154 Coburn Mary Mrs
1558 Fire Station No 6	2155 Davis Earl
	2168 Stagnaro Paladino
1619 Larson S A	2201 Olivera Jas
rear Cooley Lester	2203 Nigro Victor
1629 Romero Jesus Mrs	2215 Borja Carlos
1639 Cantos Theo	2219 Bent M A
1641 Turner Amanda Mrs	2233 Hobson J C
1642 Rose S D	2235 Bedwell W G
Saraffino T O	2239 De Conza Pedro
1647 Andrews Geo	2241 Superior Overall Lndy
1658 Asaro Saml	2260 Foster & Kleiser Co adv
Ferro Andw	
1668 Giacalone Tony	
1669 Rabagliati Sylvester	
	Juniper
1711 Ball Chester	2303 Sanfilippo Dominic
Murillo Josefa Mrs	2312 Becker C S
1721 McGrath J F	2314 Neill J A
1722 De Santi Leo	2317 Crivello Mariano
1725 Patron N G	2326 Vacant
1726 Giacalone Mateo	2333 Osborn C E
1746 Hine Lupe	2343 Martin O W
1758 Lopez Presilliano	2345 Larson W A
1760 Ghio Dominic	2348 Quinn W S
1762 St Ann's Clinic	2349 Haug A W
Rivera Guadalupe	2350 Stewart Lena Mrs
	2351 Hines Paul
	2353 Clavert Claude
	McDonald H H
	Nielsen A C
	White G W
1812 Swain Chas	2355 Vincent W H
1824 Balatore Albt	2357 Miller R C
1833 Harris H G	Pierson H E
1836 Warfield A K	2358 Schaniel P F
1839 Filieppina Thos	2363 Beare Arth
1840 Cavalleri Wm	2365 Tinkham H L
1843 Affleck R W	
1857 Busalacchi Jos	
1891 Fish Geo	
	Kalmia
	2429 Palmer E W
	2441 Fern A J
	Otis O O
	2445 Sheehy Jno
	Laurel
	2540 Herman Fred
	Maple
	2601 Roche E J Mrs
	2603 Vacant
	2620 Updegraff Maude Mrs
	2629 Bogart N I
	2630 Rehin Theo
	2636 Vacant
	2638 Vacant
	2639 Davidson W B
	2640 Dickinson J C
	2655 Lillcrap A E
	2664 Malander May Mrs
	Martin F A C
	2666 Vacant
	2669 Hesse R F Mrs
	Nutmeg
	2703 Goodell Helen
	2705 Jones F H
	2715 Walters G L Mrs
	2727 Smith C W
	2730 Perkins H T
	2732 Middlebrook E S Mrs
	2744 Middlebrook R P
	2753 Traggardh J G
	2756 Jones W L
	2768 Germo D H
	2773 McGregor J G
	Olive
	2816 Lopez C M
	2818 Fisher G W
	2830 Griffiths Mollie Mrs
	2840 Howell S W
	2864 Tetlow Ida Mrs
	2869 Westmoreland Lawman
2027 Lawson Jno	
2033 Piro Dominic	
2034 Schmucker C L	
2041 Hoopes C M	
2041 1/2 Buttner Guy	
2043 Penult Antoine	
2044 Eastwood Apartments	
Crawley Geo	
Gamble S W	
Johnson T H	
Kuntz R F	
McGuire Stephen	
Peters J J	
Scrifer S A	
Wiswell H V	
2051 Giamarinaro Jos	
2053 Vacant	
2071 Davis Ralph	
McPhee Emma Mrs	
	Palm
	2930 Morrison R F
	2940 Morrison W N
	2954 Daily J W
	2955 Turner H A
	2964 Davis R T
	Quince
	3002 Jumper F F
	3018 Clarke A M Mrs
	Redwood Spruce
	3225 Yale A W
	3242 Munson R E
	3267 Popenoe J W
	Sassafras Thorn Upas
	3504 Steadman O J
	3515 Vacant
	3517 Hawkins Harold
	3528 Downey T C
	3531 Jameson Eulalia Mrs
	3535 Hill Robt
	3538 Stacey Earl
	3545 Kinney I N
	Vine Walnut av Chalmers
	3651 Flint Lucy Mrs
	3652 Taylor C C
	3661 Eber J B
	Large M E Mrs
	3662 Van Syckle Myron
	3667 McClure Myrtle Mrs
	3670 Taylor T W
	3677 Wyeth Lucy S
	3680 Williams J L
	3686 Vacant
	Winder
	3707 Worthen H B
	3712 Paek F K
	3720 Mack G F
	rear Hansen Alf
	Wellborn West Columbia
	COLUMBINE—(East San Diego)
	Southeast from 4275 Manzanita dr
	2716 Nicholson E W
	2915 Arguello T O
	2927 Malnz Jno
	2933 Vacant
	3020 Copey Lumin
	3038 Luckenbill Michl
	3257 Vacant
	COLUSA—(North San Diego)
	North from 2 blks south of 5600 Gaines
	Yuma Gaines Riley Lauretta Florentia Linda Vista rd
	COMMONWEALTH AV—North
	from 3500 Ivy
	2240 Tully E F
	2255 Schultz C P
	2281 Baker W L
	2338 Vacant
	2348 Pritchard J D
	2408 Welton Jack
	2412 Heath M J Mrs
	2416 Hale M B
	2430 Walker J H
	CONCORD—(La Playa) North
	from 3500 Talbot
	Talbot Hill Trumbull Ullman Yell
	CONDE—(Old Town)—North-east from 2450 Kurtz

GLENWOOD DR 1927

Phone, Franklin 5546 444 Spreckels Bldg., 121 Broadway

906 STREET AND HOUSEHOLDERS' GUIDE (1927)

GIRARD AV—Cont 7858 Conway Jane F art gds Dickson Pauline real est Post F S 7860 Burgar O E jwir Rolfe J Le B optom 7862 Little Shop The womens wear 7868 Fay F A baker Robbins A F 7870 McCartney G A real est 7872 Gafner W F meats Safeway Stores gro Solomon L G fruits 7875 Learner J L tailor 7877 Granada Theatre 7879 Davis R V Mrs Confy First Trust & Savings Bank 7880 Berenson S W shoes 7882 Humpty Dumpty gro 7884 Kimoshito S fruits Kino S fruits 7886 Stephenson Irene Mrs 7888 Giamini Anna Mrs restr Wall ne cor La Jolla Public Library 7906 1/2 Arcade Building Tetley A R confy 7910 Fuelscher D & Son gro Patz I M meats 7912 Murray Drug Co 7915 Eastman W R phys Parker T A phys 7920 Mehas Alex restr 7921 Zimmerman R F pimbr 7925 McCann C W bicycles 7927 Western Union Telegraph Co 7929 Vacant 7931 Tebbetts A M beauty par- lor 7939 Sanchez Wm men's furngs Prospect	1502 Fuller S W 1504 Vacant 1506 Ryan J R 1602 Vacant 1610 Toms T B 1616 Duly J G 1624 Vacant 1630 Benner C A Terry C P 1633 Likes J E 1712 Vacant 1716 Vacant 1720 Vacant 1720 1/2 Vacant 1722 Vacant 1722 1/2 Bull F G 1724 Vacant 1724 1/2 Vacant GLOBE—(N S D)—North from 1 blk south of 3500 Bisbee GLORIA—South from Franklin av bet S 48th and S 49th GOLDEN GATE DR—(Mission Cliffs)—East from 700 Mad- ison av Massachusetts Rhode Island New York 1111 Pfanstiel J G Delaware 1202 Blondin A M Mrs 1205 Hall F E Harvey dr Maryland 1433 Wilson S A Mrs Cleveland av 1529 Stavers I L Mrs 1538 Vacant Campus av GOLDEN PARK AV — (La Playa) North from 1 blk south of 3300 Lucinda 720 Shropshire W B 945 Morton E K GOLDFIELD—(N S D)—North- east from 400 Georgia av George av Spencer av Marion av Jennie av Michigan av Margaret av Anna av Isabel av De La Hunt av Ellen Bisbee Tempe Naples	3776 Vacant 3781 Marvin F L 3784 Walton E A 3792 Kipp V S 3795 Waidmann M A Mrs 3801 Mentle E L Mrs 3809 Torrey A C 3817 Sheldon Benj 3820 Wright Leonard 3825 Schoettler H J 3828 Ross J O 3831 Smith J A 3834 Millon J P 3837 Sprinkle C G Ward C D 3838 Bair E H 3842 Sutherland E R Mrs 3874 Fire Station No 8 3901 Hill Alonzo 3904 Christian M E Mrs Haden J F 3907 Needham H P 3910 Hall S A Mrs 3911 Enholm Christopher 3920 McKay J R 3921 Thomas A E 3933 Maher E T 3934 Ash Luella Mrs Joerndt M M 3926 Cash Lilly M Douglas 3951 Tichy F S 3952 Parse L R Mrs 3962 La Tour Apartments Bernhart Peter Bissett Harry Blodgett F C Bowers E K Elwood Robt Gallagher S T Mrs Irwin M R La Tour Kath Mrs Nolan P A Smith Roscoe Williams E E Mrs 3965 English G A 3967 Weitz F W 3970 Goldfinch Apartments Bottles G N Mrs Christinsen A B Mrs Garrett H S Hornling J C McNatt C J Mills Frank Robbins S E Mrs Smith C J Switzer J N Thompson C G 3971 Jones C A 3975 Nagle D B 3977 Egoif Ihene Mrs clo clars 3981 Wlodarsky Felix barber 3983 Vacant 3987 Henseleit Frieda Mrs Reichardt E C Washington 4005 Hobby P C Mrs 4007 Finch E S 4011 Evans T M 4012 Chitwood J R 4019 Holmstrom A W Mrs 4020 Dick J A 4027 Hanks G A 4030 Smith F J 4031 Neill H W 4035 Harshaw O W 4038 Morgan Aline 4046 Ramage N O Ft Stockton dr 4053 Boulay O W 4054 Markham K S 4061 Savage C C 4062 Coulter C H 4068 Meachum M J 4069 Beale M W 4070 Denniss A F
8008 Vacant 8045 Vacant 8039 Vacant 8047 Ford A L Mrs Coast blvd GLADIOLA (Pacific Beach)— East from Pendleton, 2 north of 2300 Beryl GLEN RD— (Encanto)—North from 5500 Kenwood GLENDALE AV—North from 2550 F to Broadway 812 Perry W T 822 McCormick Edw 826 Thayer E F 827 Marshall Jno 835 Yenrick Noah 836 Gartner L W 841 Bailey Vera 842 Skinner Saml 845 Davidson J C 912 Nosler A M 925 Eastman Goldie Mrs 927 Beckstrom Andw Broadway GLENFIELD—(E S D)—South- east from 4300 Manzanita dr 3148 Sorenson A M 3152 Vacant 3154 Vanderpool Louis GLENWDDD—(Pacific Beach) East from 4250 Dalton GLENWOOD DR—West from 3570 Union 1500 Bishop J A nurse Campbell W W Hanna R C	GLOBE—(N S D)—North from 1 blk south of 3500 Bisbee GLORIA—South from Franklin av bet S 48th and S 49th GOLDEN GATE DR—(Mission Cliffs)—East from 700 Mad- ison av Massachusetts Rhode Island New York 1111 Pfanstiel J G Delaware 1202 Blondin A M Mrs 1205 Hall F E Harvey dr Maryland 1433 Wilson S A Mrs Cleveland av 1529 Stavers I L Mrs 1538 Vacant Campus av GOLDEN PARK AV — (La Playa) North from 1 blk south of 3300 Lucinda 720 Shropshire W B 945 Morton E K GOLDFIELD—(N S D)—North- east from 400 Georgia av George av Spencer av Marion av Jennie av Michigan av Margaret av Anna av Isabel av De La Hunt av Ellen Bisbee Tempe Naples GOLDFINCH—North from 3050 Horton av Redwood Spruce Thorn Fairfield dr Upae Walnut av Brookes av Pennsylvania av 3743 Maack Kate Mrs 3752 Martin Eug 3760 Weitkamp A H 3768 Sikes C P 3769 Dorr G H 3775 Wright A F H	3776 Vacant 3781 Marvin F L 3784 Walton E A 3792 Kipp V S 3795 Waidmann M A Mrs 3801 Mentle E L Mrs 3809 Torrey A C 3817 Sheldon Benj 3820 Wright Leonard 3825 Schoettler H J 3828 Ross J O 3831 Smith J A 3834 Millon J P 3837 Sprinkle C G Ward C D 3838 Bair E H 3842 Sutherland E R Mrs 3874 Fire Station No 8 3901 Hill Alonzo 3904 Christian M E Mrs Haden J F 3907 Needham H P 3910 Hall S A Mrs 3911 Enholm Christopher 3920 McKay J R 3921 Thomas A E 3933 Maher E T 3934 Ash Luella Mrs Joerndt M M 3926 Cash Lilly M Douglas 3951 Tichy F S 3952 Parse L R Mrs 3962 La Tour Apartments Bernhart Peter Bissett Harry Blodgett F C Bowers E K Elwood Robt Gallagher S T Mrs Irwin M R La Tour Kath Mrs Nolan P A Smith Roscoe Williams E E Mrs 3965 English G A 3967 Weitz F W 3970 Goldfinch Apartments Bottles G N Mrs Christinsen A B Mrs Garrett H S Hornling J C McNatt C J Mills Frank Robbins S E Mrs Smith C J Switzer J N Thompson C G 3971 Jones C A 3975 Nagle D B 3977 Egoif Ihene Mrs clo clars 3981 Wlodarsky Felix barber 3983 Vacant 3987 Henseleit Frieda Mrs Reichardt E C Washington 4005 Hobby P C Mrs 4007 Finch E S 4011 Evans T M 4012 Chitwood J R 4019 Holmstrom A W Mrs 4020 Dick J A 4027 Hanks G A 4030 Smith F J 4031 Neill H W 4035 Harshaw O W 4038 Morgan Aline 4046 Ramage N O Ft Stockton dr 4053 Boulay O W 4054 Markham K S 4061 Savage C C 4062 Coulter C H 4068 Meachum M J 4069 Beale M W 4070 Denniss A F

INDIA ST 1927

924		STREET AND HOUSEHOLDERS' GUIDE (1927)	
INDIA-Cont	1933 Lockett A P	2801 Zinke Ethel Mrs	Olive 3684 Williams L J
	1943 Asaro Jake	2805 Carbery Jas	3688 Aber J K
	1949 Marino Jos	2815 Allen Beatrice H	3690 Peck H E
	1950 India Street Garage	2828 Massa Stephano	3692 Massingill M E Mrs real est
	1953 Camacho Jesus	2830 Ghio Angelina Mrs	3697 Harrington T M Mrs
	1969 Alioto Jno	2849 Vacant	3698 McPherson D S
	1970 Hughes Jennie Hrs	2867 Thomas G A	
	Hughes & Owens restr	2869 Swenson H E R	3701 Jones W H Winder
			3711 Vacant
			3719 Tobey C W
2008 Dicola Domencio	2903 Conrad H J	3731 Smith C H Mrs	
2010 Asaro Andw	2905 1/2 Clark R W	3736 Strada L C	
rear Dicola Domencia	2907 Vacant		
2012 Puentes Jose	2909 Shindler Chas	3779 Meserve S C Andrews	
2030 Vacant	2927 Hart F May	3791 Vacant	
2034 Vacant	2932 Cooper T H		
2044 Cascade Laundry	Wood J P		
2054 Vacant	rear Creech R E		
2058 Lee & Collier gas sta	2940 Bisby W W		
2065 Vacant	2942 Kissinger J L	INDIANA—North from 1800 E Upas	
2067 Dicola Nicholas	2944 Miller Wm		
2069 Toso Jno	2945 Immel Theresa Mrs	3503 Burgster J B Myrtle av	
	Schumacher Emma Mrs	3515 Colt E I	
2101 Allen W J	2952 Gouliarte Helen Mrs	3517 Lemon D M	
2102 Schreiber & Sorci gas sta	Vermilya J W	3524 McCarthy M B	
2107 Oswell Jackson	2955 Brown Leonardo	3528 Leblanch Henry	
2111 Stagnaro Steph		3528 Vacant	
2115 Cervantes F T Mrs		3538 Marsh Mary	
2119 McCormick W J	3002 Renner Ida Mrs	Mead Adena	
2130 Duffy M J Mrs	3009 Stevenson W A	3541 Brill Jno	
McIntosh A H	3014 Renner Ida Mrs gro	3544 Ulrich W D	
2138 Scriptor Arch	3016 Henry Myrtle B	3547 Robinson F W	
2140 Holtz S R	3020 Bayside Apartments	3549 Tiberend Earl	
Lucia A L	Brugger Arth	3551 Brown J A Mrs	
2141 Hefti Balthasar	Reckley Jos	Brown Mabel	
2144 Harman Theo	Losch Wilbur	3554 Young G B Rev	
2146 Matthews F D	Smith Geo	3559 Rowe Gilbert Cypress av	
2150 Vacant	Spink Fred		
2157 S D Coffee Co	3040 Valenzuela Philip		
	3042 Foster F E	3604 Johnson R C	
2202 Vacant	3042a Beal Howard	Werle Jno	
	3044 LeClair Bert	3605 Schoenhoven A G	
2307 Heller's Inc gro	3044a Wellman R S	3611 Davis Mattie Mrs	
2311 Goodall Edw meats	3046 Fisher C W	3618 George T L Mrs	
2318 Vacant	3048 Armstrong Harvey	3621 Burckhalter M E	
2314 Ivara Fredk	3053 Nielsen E M	3622 Driver S D	
2315 Vacant	3054 Dann J F	3623 Coslet Miles	
2317 Vacant	3056 May Emil restr	3624 Driver Rex	
2329 Szallnski Frank		3627 Bierhower J E	
2345 Hanson Jno	3114 Carpenter E S	3630 Liitt C A	
2347 Philippen Johannes	3116 Krug I M Mrs	3633 Black M E Mrs	
2352 Vacant	3141 Duncan Isabelle Mrs	3634 Wilkins G W	
2354 Vacant	3153 Nommels B H mantels	3636 Frary M T Mrs	
	3159 Yule W A C gas sta	3637 Rawlings J B	
2401 Larry & Leonard gas sta	3172 Simpson G W	3638 Brannon M E Mrs	
2466 Liuzze Jno		3640 Bleecker W G	
	3256 Vacant	3641 Johnston A W	
2504 Klaus A J	3260 Fields Wm	3646 Ames Walter	
2508 Nelson Clarence		3653 Brunet Felix	
2518 Madruga J F	3325 Manny Herbt	3660 Torres J T	
2528 Stern L O	Taft M H	3662 Herrick J B	
2530 McKenna Geo	3328 Concrete Bldg Tile Co	3664 Carder Nancy Mrs	
2532 Bakehorn L M Mrs	3341 Decker C F	3665 Giovanni Enrico	
2540 Johns L L	3343 Terry Arth	3667 Reeder L B	
2544 Thurston A D	3345 Gross Wallace	3668 Fernandez-McGregor Luis	
2548 Enoch Warren	3347 Armstead Roy	3669 Stevenson O H	
2554 Martinez Anastasio	Garrett H E	3672 Porak R O	
2566 Darling Jas	3349 Christian W P	3681 Steg-Kemper Wm	
2568 Haley G A		3683 Sallee Herbt	
Haley H B		3683 1/2 Haffernan W A	
	3519 Dickerman Beatrice B	3685 Bastian J J	
2601 Rowe M M	3537 Lacey D S drugs	3688 Henry W A	
2615 Orosco Antonio		3689 Belarde Albt	
2630 Jett's Staff Studio artificial stone		3694 St John H E Mrs	
2630 1/2 Hudson Irene	3616 Tarver Jules	3685 Keller C B Mrs	
2657 Henderson Thos	3620 Mitchell S M Mrs gro	3697 Nelson R D	
2659 Garrett W R	3642 Baxter F W barber	3704 Hall Jno	
2663 Kenyon Thos	3647 Cordtz Robt Co bill posters	3710 Zinsitz J A	
		3712 Melzer A D	
		3714 Lawson M G Mrs	
2701 Cheney R L	3661 Haeusgen C F gas sta	3716 Penter M A	
2742 Vacant	3662 Smith F L	3718 Roult M A Mrs	
2747 Klsar I M Mrs	3664 Yoder A C	3719 Trapani Antonio	
2760 Vacant	3667 Belcourt W F	3720 Carl M C Mrs	
2764 American Engraving Co.	Belcourt's Pharmacy	Thomas D M Mrs	
Jones J H	3675 Burnaugh R L meats	3721 Savin A J	
Sunset Photo Studio	Sheinberg Saml gro	3725 Parker I L	

UPAS/COLUMBIA 1927

801 FIRST NATIONAL BANK BUILDING

2

STREET AND HOUSEHOLDERS' GUIDE (1927)

1013

3026 Dean L N batteries Heller's Inc gro Molloy J J auto repr Weitzel F L gas sta	3430 Gruebele J G Kaidel J T 3436 Evans F A 3437 Zierke W J 3443 Bellows J A	3956 Byrne D O Byrne M E Mrs 3960 Brink S B 3963 Loeser Philip 3967 Sorenson R P 3970 Coppard P A 3975 Tout W H 3978 Friday C W 3979 Smith H J 3984 Cadwell J W bldg contr 3985 Ellis W L 3993 Camp Carmalo 3994 Kennedy B F
3028 Vacant		4004 Best F A 4011 Phillips G A 4012 Bent R J 4019 Tichenor L S 4020 Knabb J E 4026 Rogers Walter 4027 Downs F F 4028 Greer Bert 4035 Hancock Eliz Mrs 4036 Peterson Bergette Mrs 4043 Achilles D F 4044 Epler J E 4045 Huebner S J 4045 Gerth W F 4054 Saunders H S 4055 Wiemeyer W J 4080 Hicklin R F 4081 Miller H B 4087 Herrick C J 4070 Dike R S 4077 McGuire F J Mrs 4078 Fleming W F 4085 Volz L P 4086 Wish H O 4091 Fair A L 4096 Williamson J I
3040 Hill A G & Son auto repr Grim av	3500 Botkin A S 3501 Dooley W S 3511 Shell G P 3519 Irwin H L 3520 Botkin T M 3526 Clare W M 3529 Harris Phil 3536 Bennett Jessie M 3537 Moore H J 3543 Anderson T C jr 3544 McCall E F	Myrtle av 3552 Comes A E 3553 Fowler M T 3562 Parker G D 3565 Shell C M 3569 Carter W F 3576 Matlick R E 3577 Marvel A D 3590 Reynolds J R 3583 Bennett C L Seely R S 3592 Rehkopf A H 3593 Walratt Mary Mrs
3060 Hill A G Hill A W		Lincoln av 4093 Simmonds J D 4104 Ely R D Mrs 4109 Harmon C S 4112 Arnold J H 4115 Rotert H W 4120 Chilcote R B Mrs 4121 Williams S S 4122 Manlove M D Trant E F 4127 Randall A J 4128 Oates F W 4132 Vacant 4135 Smith G G 4140 Dyer D C 4141 Murphy R S 4144 Whitelock A L 4149 Howell L M Mrs 4152 Edwards Geo 4153 Webster H G 4158 Vacant 4166 Vacant 4168 Vacant
3065 Ashenberg H H 3074 Ray J M 3075 McGregor Asenath Mrs	31st 3112 Boone J L 3114 Bridge N H 3127 Faust C L	
	Herman av	
3162 Nelson C H 3174 Vacant		
3218 Reilly F V 3224 Schlachter O A 3254 Pratt Edmund	32d 3264 Wilcox H C	
	Bancroft	
3316 McQueen Wm 3317 Pagett A G 3324 Heron P H	33d 3605 Ault D L 3610 Compton Wayne 3611 Romero C E 3619 McDaniels J A 3620 Sandlemente F V 3628 Fife David 3629 Hansel Scott 3635 Buby A B Higgins R W 3640 Clarke F J 3644 Silvernall F J 3645 Irwin J E Mrs	Capps Dwight Landis Gunn
	Felton Gregory Boundary	
UPAS--WEST--West from 3400 1st		
102 Vacant 104 Vacant 106 Vacant 108 Vacant 142 Eckhart P B 144 Sweeney Chas 146 Vacant 148 Moore C G		
336 Zwiener J F	Front Albatross	
410 Byrne Gerald	Brant Curlew Dove Reynard way Eagle Goldfinch Hawk Ibis Jackdaw Horton av Union State Columbia	
1508 Hart Wm 1510 Simpson F E	India Kettner blvd California	
UPLAND--(Encanto) East from 1600 60th 6038 Swanson Jos		
UPSHUR--(La Playa) West from 1050 Shafter, 2 east of Rosecrans 2936 Ball H M Brown Jos		
URBAN AV--East from Eliza- beth, 1 blk south of Woolman av		
U T A H--(University Helghts) North from 2850 E Upas		
3411 Vacant 3412 Isaac L N 3419 Upjohn R T 3422 Brogie J P 3429 Michel Lawrence bldg contr		
	Wightman University av	
	Howard av El Cajon av	

WALNUT AVE W 1927

RAY E. HANZEL, PRES.

1018 STREET AND HOUSEHOLDERS' GUIDE (1927)

<p>WABASH AV—Cont</p> <p>3824 Newman J J 3824½ Powers P K 3825 Glens F R 3832 Carr H P 3842 Lee C H 3858 Schieferstein M A Mrs 3869 Hill H H auto repr 3871 Abbott R W real est</p> <p>University av</p> <p>3902 Holmes W H gro Liberty Food Co 3914 Price C A 3914½ Evans W H 3930 Milz Julia Mrs Milz L A</p> <p>Lincoln av</p> <p>4002 Muchleisen W H 4018 McDaniel D C 4022 Oswalt J H Windsor W J 4023 Springs G R 4029 Weldman M G 4035 Wyckoff C L 4039 Jones D E 4044 Brunner Wm Holbrook L R 4045 Williams C A 4049 Weed J A 4050 McManning Lucy Mrs 4053 Hermiston Jno Wier T P 4060 Jones Chas 4068 Edmonds Benj 4074 Alessio Dominic 4074½ Alessio Frank 4077 McGuire Eugenai Mrs</p> <p>Polk</p> <p>4102 Gordon J A 4110 Lorain A W 4112 Vacant 4120 Brown Caroline D 4128 Howes C M 4133 Quinci Vito 4134 Millard H C 4140 Solomon C B 4141 Frazier E C 4148 Penner J D 4151 Noel A J 4156 White C T 4157 Squires S W 4160 Dunkel C E 4171 Jensen J M 4172 Lewis Earl 4174 Mielke R R 4175 Streff T N 4189 Elrod V I Mrs</p> <p>Orange av</p> <p>WADDELL—(Normal Heights) East from 4750 31st</p> <p>WALL—(La Jolla) East from 7900 Girard ave 1 south of Prospect</p> <p>1023 Mehas Peter 1025 Baird L P barber 1026 Pacific Tel & Tel Co 1028 Vacant 1030 La Jolla Country Club La Jolla Land & Improve- ment Co Taylor S E office 1031 La Jolla Journal 1035 Bailey H Ruth pub sten 1037 Hunter L G Mrs restr 1039 La Jolla Music Store 1041 La Jolla Light 1044 Curtis Effie L 1046 Chatham W D 1053 Wall Street Furn Co</p> <p>Herschel av</p> <p>1117 Danielson H E 1121 Mitchell Grace T</p>	<p>1122 Grimes M R 1124 Porter O E 1125 Quincey V E 1128 Requa L H 1134 Arnott Harry 1140 Prall R A</p> <p>Ivanhoe av</p> <p>WALLACE—(Old Town) North- east from 2800 Davis</p> <p>Midway dr Buell Anderson Kurtz Hancock Moore Jefferson Congress San Diego av</p> <p>4030 Lucia Dolores Mrs Caihoun Juan</p> <p>4101 Chavez Juana Mrs 4104 Vacant 4124 Serrano L A</p> <p>Sunset blvd Whitman Chestnut Hickory Ft Stockton dr Pine Cherry San Diego river</p> <p>WALLACE COURT—North from National av 1 east of 39th</p> <p>912 Cartledge Geo 927 Wilson Wm 931 Robinson Harry 951 Novotny Ernest</p> <p>WALNUT AV—East from 3500 1st</p> <p>100 Brinton F L Mrs 115 Butters E E 140 Day H B</p> <p>2d 3d</p> <p>306 Barker A T Mrs Barker T E 328 Putnam Elbert 335 Fletcher Ed</p> <p>4th</p> <p>420 Sharp R G phys Woods D K phys 430 Hunt P E</p> <p>5th</p> <p>WALNUT AV—WEST—West from 3500 1st</p> <p>111 Brust M S 117 Flint M C 130 Retsloff C O</p> <p>Front</p> <p>204 Fisher J W 205 Vacant 211 Vacant 230 McDowell Sarah J</p> <p>Albatross</p> <p>246 Case N E Mrs 315 Kendall J M 321 McVey M T Mrs</p> <p>Curlew Otsego dr Dove Bear dr begins</p> <p>605 Taylor W F</p> <p>Eagle Falcon Reynard way Goldfinch Hawk</p> <p>1021 Stahel Roland 1025 Lundin Jno</p>	<p>lbis Jackdaw Kite Lark Union State</p> <p>1605 Tenbrock H A 1617 Wood Percy</p> <p>Columbia</p> <p>1717 Davis H M</p> <p>India Kettner blvd California</p> <p>WALTON PLACE—East from Ohio, bet Monroe and Mad- ison av</p> <p>3057 Lawrence F C 3060 Fiedler J E 3061 Vacant 3064 Smith C A 3069 Lang C W 3070 Brockmeyer E F 3074 Henderson E L</p> <p>WARD ROAD—(Normal Hts) (To Camp Kearny, via Mur- phy Canyon) East from Che- rokee av at Madison av</p> <p>3716 Vacant 3717 Mitchell Arva Mrs 3720 Steele Jno 3728 Haynes Alice G 3736 Braly Clark 3738 Vacant 3747 Farley E E Irwin E M trucking contr 3752 McClure L W 3759 Vdemza Michl 3760 Marshall G E 3767 Terrell Bert 3768 Monson C E 3773 Palmer O J Mrs 3778 Glenn T W 3786 Seaman W K 3812 Michelson D M</p> <p>WARNER—(La Playa) West from 650 Silver Gate av</p> <p>WARRINGTON—(Ocean Beach) Northeast from Wildwood rd 1 west of 1700 Chatsworth blvd and northeast from 3800 Tan- nyson nw cor Wildwood rd Mundy Talbot</p> <p>Ridge rd Arlington dr Tennyson</p> <p>2120 Chadwick R W</p> <p>Udal Voltaire Whittier Xenophon Yonge Zola Alicott Browning Curtis Elliott Nipoma Gaviota Esperanza Bodega</p> <p>WASHINGTON—EAST — (Mis- sion Hills) East from 4000 1st</p> <p>105 Mission Dry Cleaners 109 Myers J E 120 Johnson R A 121 McCarty F W 126 Johnson A G Ossin J J 128 Vacant 130 Vacant 132 Vacant</p>
--	---	--

APPENDIX H
Site Photographs

APPENDIX H - SITE PHOTOGRAPHS

SITE: Proposed Vine Substation, San Diego, California

DATE: Site reconnaissance conducted on 28 March 2014



PHOTOGRAPH 1:

View: Looking south at the Site.

Photo shows the entrance to the Site, including the guard shack.



PHOTOGRAPH 2:

View: Looking south at the Site.

Photo shows the parking lot at the Site.

APPENDIX H - SITE PHOTOGRAPHS

SITE: Proposed Vine Substation, San Diego, California

DATE: Site reconnaissance conducted on 28 March 2014



PHOTOGRAPH 3:

View: Looking west at the Site.

Photo shows a wooden shed at the Site that houses cones, a vacuum, and other supplies.



PHOTOGRAPH 4:

View: Looking southeast at the Site.

Photo shows a drop inlet storm drain near the Site boundary.

APPENDIX H - SITE PHOTOGRAPHS

SITE: Proposed Vine Substation, San Diego, California

DATE: Site reconnaissance conducted on 28 March 2014



PHOTOGRAPH 5:

View: Looking northeast along the northwest Site boundary along Vine Street.

Photo shows Vine Street and I-5 in the background.



PHOTOGRAPH 6:

View: Looking southeast along the southwest Site boundary.

Photo shows railroad tracks and a drainage swale.

APPENDIX H - SITE PHOTOGRAPHS

SITE: Proposed Vine Substation, San Diego, California

DATE: Site reconnaissance conducted on 28 March 2014



PHOTOGRAPH 7:

View: Looking southwest from the eastern portion of the Site.

Photo shows the boundary between the rental car facility and the Site.



PHOTOGRAPH 8:

View: Looking northwest along the northeast Site boundary.

Photo shows the eastern portion of the Site along Kettner Boulevard.

APPENDIX H - SITE PHOTOGRAPHS

SITE: Proposed Vine Substation, San Diego, California

DATE: Site reconnaissance conducted on 28 March 2014



PHOTOGRAPH 9:

View: Looking southwest from southeast of the Site.

Photo shows the car wash, drums, and fuel AST adjoining the Site to the southeast. The AST is approximately 25 feet southeast of the Site boundary.



PHOTOGRAPH 10:

View: Looking northwest from the Site.

Photo shows the adjoining Rush Press facility which formerly was occupied by a battery manufacturer.

APPENDIX H - SITE PHOTOGRAPHS

SITE: Proposed Vine Substation, San Diego, California

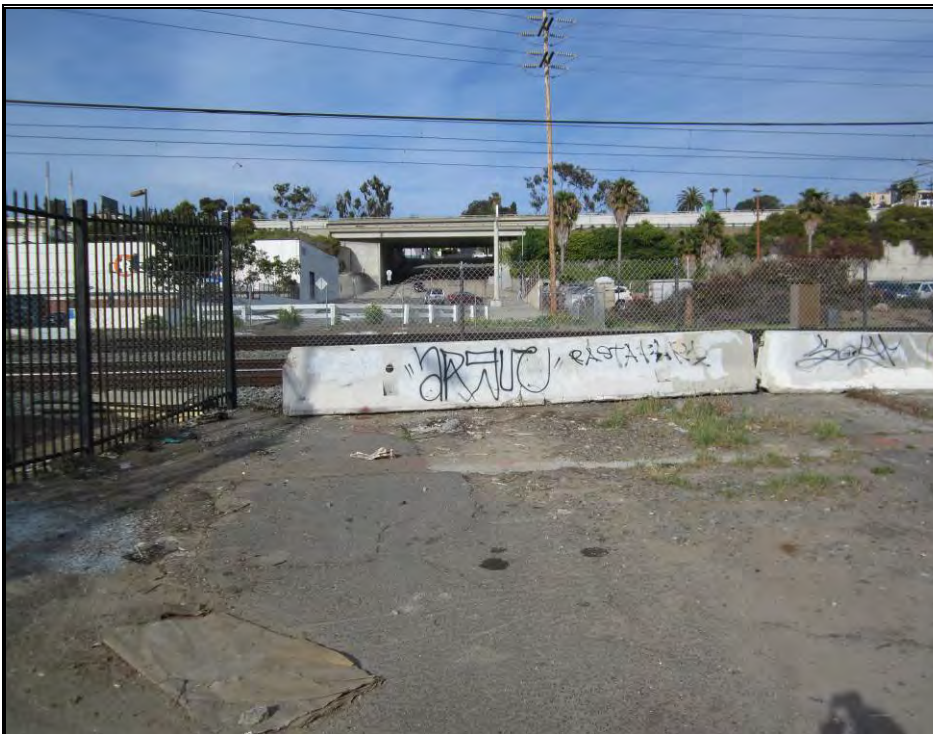
DATE: Site reconnaissance conducted on 28 March 2014



PHOTOGRAPH 11:

View: Looking west from northwest of the Site.

Photo shows groundwater monitoring wells related to the Honeywell (former Baron-Blakeslee) property adjoining northwest of the Site.



PHOTOGRAPH 12:

View: Looking northeast from southwest of the Site along Pacific Highway.

Photo shows the former Vine Street thoroughfare to Pacific Highway. The Site is located in the background beyond the railroad tracks.

**ATTACHMENT 4.8-B: WATER QUALITY CONSTRUCTION BEST MANAGEMENT
PRACTICES MANUAL**

M A N U A L



BEST MANAGEMENT PRACTICES MANUAL FOR WATER QUALITY CONSTRUCTION

Geosyntec Project No. SW0186

December 2010, Rev 2- Geosyntec Consultants
Revised July 2011, San Diego Gas & Electric Environmental Services Department

Table of Contents

Why Is There A Need for This Manual?.....	ii
A Note Regarding Impacts to Construction Cost and Scheduling.....	iii
BMP Program Overview.....	1
BMP Selection and Implementation.....	3
Table 1 BMP SELECTION AND SEQUENCING GUIDE.....	5
Table 2 BMP SELECTION WORKSHEET FOR UTILITY ACTIVITIES.....	7
BMP Details.....	10
Section 1 - Sediment Controls.....	11
Section 2 - Waste Management and Material Controls.....	42
Section 3 - Non-Storm Water Discharge Controls.....	60
Section 4 - Soil Erosion Control.....	87
References.....	120
Appendix A Definitions and Acronyms.....	121

Why Is There A Need for This Manual?

Sempra Energy's Environmental Policy states in part, "Sempra Energy believes in treating the Earth's resources with respect. We are committed to protecting and conserving the environment and the health and the safety of our employees, our customers, and the diverse communities in which we operate and provide service." Therefore, Sempra Energy companies will:

- Meet applicable environmental laws, regulations, and permit requirements.
- Join customers, civic leaders and other community leaders in providing sound and responsible stewardship of our environment.
- Incorporate appropriate environmental management and compliance in strategic planning and operational decisions."

Municipalities (Cities, Counties, and Special Districts) have passed storm water ordinances intended to protect storm sewer systems and receiving water bodies from sediment, chemical, and biological pollutants. These ordinances require storm water Best Management Practices (BMPs) for construction projects and construction activities that disturb soil. Due to the numerous municipalities in the San Diego Gas & Electric (SDG&E) service territory, there is a need to consolidate the various municipal BMP requirements for consistent and cost effective construction practices. This manual has been written to supplement the operational procedures of SDG&E to meet the municipal storm water ordinance requirements within SDG&E's service territory. Municipal storm water ordinances include prohibitions regarding erosion, sedimentation and discharge of other pollutants without reference to soil disturbance area and include construction "like" activities that include construction or operation and maintenance activities that can impact the municipal storm water conveyance systems. These activities include saw cutting, potholing, trenching, excavation (including trench and excavation dewatering) and stockpiling. Therefore, this BMP manual is applicable to the above construction and construction "like" activities, including field operations and maintenance activities, regardless of soil disturbance area or its location. This manual is also applicable to construction "like" activities at SDG&E facilities, such as Construction & Operations (C&O) facilities, supplementing the Facility Storm Water Management Plan (SWMP) or Storm Water Pollution Prevention Plan (SWPPP) BMPs.

Construction or demolition activities that include any land disturbance of one (1) acre or more are subject to storm water control regulations in the California Construction General Storm Water Discharge Permit (CGP) established by the California State Water Resources Control Board (SWRCB) Order No. 2009-009-DWQ. This CGP has many new requirements compared to the previous permit (Order No. 99-08-DWQ) and requires electronic submittal of the Notice of Intent (NOI), risk assessment, site map, project specific SWPPP, and annual report requirements. Projects subject to the CGP must establish a project-specific construction site risk level based on the site-specific sediment discharge risk and the site's receiving water risk. These two factors are used to determine the project risk, which is assigned as Risk Level 1, 2, or 3 for traditional (non-linear) projects or Type 1, 2, or 3 for linear underground/overhead (LUP) projects. CGP requirements are more stringent for higher Risk Levels or Types. The CGP established numeric discharge limits for turbidity and pH for Risk Level/Type 2 and 3 sites. All projects risk levels/types must implement minimum BMPs and perform visual monitoring in accordance with the CGP. In addition, the CGP has specific certification requirements for those that prepare SWPPPs (i.e., "Qualified SWPPP Developers") and those that implement requirements in the field (i.e., "Qualified SWPPP Practitioners").

The purpose is to update the manual and BMP details to reflect requirements of the new California Construction General Storm Water Discharge Permit (CGP) (California State Water Resources Control Board (SWRCB) Order No. 2009-009-DWQ), which became effective on July 1, 2010 as well as to update information related to SDG&E operations and activities.

Many of the construction activities of SDG&E are linear in nature, unique to utility work, and do not correspond to typical large development project BMPs. There is a continuing need to tailor typical BMPs to utility type work and utility work crews. This manual incorporates the above mandates of Sempra Energy's Environmental Policy. The manual is the result of surveying the available governmental, association, and industry sources of construction BMPs, and the selection and editing of BMPs appropriate to SDG&E construction activities and personnel.

A Note Regarding Impacts to Construction Cost and Scheduling

It is important for a project's or activity's budget and schedule to include BMP selection, implementation and maintenance costs and time horizons into the design and construction of a project. It is also important that there is a mechanism to hand-off the BMP portion of a project to the appropriate SDG&E Operations and Maintenance Department for final stabilization and post-project permanent BMP maintenance (including final and post-construction costs). A project's field Environmental Representative will be able to assist in estimating and incorporating these costs and scheduling considerations into the project or construction activity.

BMP PROGRAM OVERVIEW

Water Quality Construction BMP Manual

The purpose of this Water Quality Construction BMP Manual (Manual) is to provide standardized BMPs to reduce or eliminate pollutants in runoff from SDG&E construction projects and construction activities for water quality protection. This Manual applies to SDG&E's construction projects and activities that disturb soil. This manual also applies to SDG&E's contractors performing such work as part of their contractual obligations. SDG&E's service area encompasses approximately 4,000 square miles of diverse terrain from Southern Orange County to the Mexican border. Many of SDG&E's projects and work activities throughout the service area are subject to coverage under the National Pollutant Discharge Elimination System (NPDES) CGP and its conditions, and/or local municipal storm water ordinance requirements. Because of the breadth of jurisdictions and requirements that apply to SDG&E's utility construction projects and activities, this Manual has been developed to provide a consistent approach to water quality management to be applied by SDG&E and their contractors throughout the SDG&E service area.

Most construction projects performed by SDG&E are linear projects which are often short term, and are low impact on narrow corridors of land. Many of the BMPs presented in this Manual have used the best and most practical pollution prevention features from several sources, such as the SWRCB, the California Stormwater Quality Association (CASQA), local municipalities, and California Department of Transportation (Caltrans) BMP Manuals, that have been modified to integrate into our utility construction activities but are also compliant with the applicable regulations and ordinances.

This Manual is organized into three main sections:

- BMP Program Overview.
- BMP Selection and Implementation.
- BMP Details.

The BMP Details section is divided into four functional BMP categories:

- Sediment Controls.
- Waste and Materials Management Controls.
- Non-Storm Water Discharge Controls.
- Erosion Control.

Within each of these categories, specific information, including "What," "When," "Where" and "How" to implement the BMP, plus maintenance and inspection information, are provided for each BMP. Pictures and diagrams are also provided for many of the BMPs for easy reference. Photographs provided in this Manual have been primarily obtained from URS Corporation, Geosyntec Consultants, California Department of Transportation (Caltrans), CASQA, and SDG&E.

The Manual is a tool designed to assist with the identification of BMPs appropriate for use on a construction or activity site. The Manual provides guidance to SDG&E for meeting regulatory water quality requirements for utility construction and maintenance activities that involve disturbance of soil. The BMP selection process provides users with guidance for the selection of typical BMPs that may apply to standard SDG&E construction activities. During BMP selection, the users of this Manual should take into account the benefits and limitations of each of the BMPs considered in the context of the site conditions. Finally, BMP success is contingent not only on appropriate selection and implementation, but also on the coordination and communication between project management, Field Environmental Representatives, and the field construction teams.

BMP PROGRAM OVERVIEW

Utility Type Projects

Most SDG&E projects are very different from commercial or residential developments, building sites, and Caltrans projects. Many SDG&E projects are smaller, short term, and impact narrow corridors of land. SDG&E projects are constantly progressing along the route. Often, SDG&E projects are in the right-of-ways of streets or along SDG&E utility corridors that must be maintained to ensure safe access to gas and electric lines and where temporary BMPs are initially installed for a short period of time during construction, followed by soil stabilization BMPs as necessary.

Training Program

Training for construction storm water pollution prevention and control is part of SDG&E's overall Water Quality Pollution Prevention Program. All applicable company employees and contractors hired by the company have the responsibility to comply with environmental laws, regulations, and permit requirements. Training for the prevention of environmental-related incidents is conducted for applicable SDG&E employees who perform any operation or activity that has the potential to cause a pollutant to be released into the environment, including construction activity. Records are maintained as to when employees have received this training and instruction.

Contractor responsibilities, including environmental training of their employees, are specified in the terms and conditions of the contract between SDG&E and the contractor.

Applicable employees should know and contact their local Field Environmental Representatives for support and guidance on any aspects of the training program.

BMP SELECTION AND IMPLEMENTATION

General Protocol BMP

To select BMPs that are appropriate for a given project, the following steps should be followed:

- Step 1 - In the project's design phase, identify "Permanent" or "Structural" BMPs required by the local municipality or the CGP. These BMPs are often stated in the requirements as "Post-Construction" or "Permanent" BMPs.
- Step 2 - Identify construction activities and the associated pollutants and issues of concern
- Step 3 - Evaluate site conditions and select applicable BMPs
- Step 4 - Implement, monitor, and maintain the BMPs

Step 1 - Identify "Permanent" or "Structural" BMPs required by Local Municipalities and/or the SWRCB General Construction Storm Water Permit.

Municipalities may have a Standard Urban Stormwater Mitigation Plan (SUSMP) or equivalent, and other requirements such as a requirement for conformance with the California Green Building Standards Code (CalGreen Code). These Plans and Codes may require:

- Permanent stabilization of exposed soil surfaces and slopes to minimize erosion and sedimentation. Stabilization structures and/or the planting of vegetation may be required.
- Matching post-construction runoff to pre-construction runoff, utilizing the 85th percentile storm event to reduce the risk of impact to the receiving water's channel morphology and provide some protection of water quality.
- Use of Low Impact Development (LID) practices. LID practices are environmentally sustainable practices that benefit water supply and contributes to water quality protection. Unlike traditional storm water management, which collects and conveys storm water runoff through storm drains, pipes, or other conveyances to a centralized storm water facility or outfall, LID takes a different approach by using site design and storm water management to maintain the site's pre-development runoff rates and volumes. LID practices include; Impervious surface reduction & disconnection; bio-retention facilities or rain gardens, grass swales and channels, vegetated rooftops, rain barrels, cisterns, vegetated filter strips, and permeable pavements.

Step 2 - Identify Activities, Pollutants, and Issues of Concern

The second step in BMP selection is to identify the construction activities, the associated potential pollutants, and the local issues of concern. Construction activities may include saw cutting, potholing, trenching, excavation, stockpiling of soil, grading and grubbing, new access road construction, paving, or other activities with the potential to impact storm water and non- storm water discharges. Pollutants of concern may include: sediment; petroleum products such as fuel, oil, and grease from vehicle and equipment operation; paving materials such as concrete and asphalt components; other materials used or stored on site, such as pesticides, herbicides, fertilizer, detergents, paint, adhesives, and solvents; and project wastes such as litter, debris, hazardous wastes, and liquid wastes. The local issues of concern may include:

- Proximity to sensitive receiving waters (environmentally sensitive areas or Clean Water Act Section 303(d) listed water bodies, particularly those meeting the criteria for "sediment sensitive" receiving waters identified in the CGP, example: Upper Newport Bay
- Local regulatory requirements influencing BMP selection, or timing of BMP implementation.

BMP SELECTION AND IMPLEMENTATION

Step 3 - Evaluate Site Conditions and Select BMPs

To assist in BMP selection, this Manual presents BMPs that are anticipated to be most applicable to utility construction projects and construction activities. Most SDG&E utility projects are unique in that they are typically very short-term, low impact on narrow corridors of land, and have minimal exposure of soil or transportable materials at any one time to storm water. The selector should consider any project-specific requirements or factors such as BMP effectiveness, cost, availability, feasibility, and suitability for the site. For example, important site conditions to consider include the amount of soil disturbance, anticipated weather conditions, soil type and erodibility, flow path length, and slope of exposed soil. Selected BMPs can and should be modified to suit the scope of the project and site conditions.

Table 1 presents guidelines for BMP selection and implementation at a construction site. Table 2 presents a BMP selection worksheet for utility activities. These implementation guidelines and selection worksheet can be used to select BMPs for a specific project or construction activity. Finally, a selector may discover a better BMP for their situation not listed in Tables 1 or 2. The Environmental Services Department encourages creative and practical pollution prevention techniques. These new techniques can be shared with others to support the water quality goals of the region.

Step 4 - Implement, Monitor, and Maintain the BMP System

It is important that selected BMPs be implemented in a sequence that maximizes protection of water quality, be monitored regularly for effectiveness and be maintained as necessary throughout the project. Appropriate BMPs must be implemented year round. Additional BMPs will be implemented when needed, and/or when a storm event is forecasted or occurs. Table 1 presents a suggested schedule for BMP implementation and sequencing. Steps in this schedule should be reviewed for each project as applicable. All BMPs should be monitored and inspected regularly and particularly before and after rain events, or in compliance with the frequency specified in the CGP, if applicable. BMPs should be maintained during a project in accordance with the procedures outlined in the BMP Details Section.

BMP Installation Contractors and BMP Material Suppliers

Construction crews will implement most BMPs. This Manual identifies some SDG&E utility activities and operations that may require outside contractors to install the applicable BMPs. As needed, please consult with the Environmental Services Department, Water Quality for the most current contractor listings and contractual arrangements.

BMP SELECTION AND IMPLEMENTATION

**Table 1
BMP SELECTION AND SEQUENCING GUIDE**

Step No.	Description	What to Do	BMP Options (see Table 2 for BMP activities)
1.	Design Stage and Before Construction	Contact the Field Environmental Representative early, at the beginning of a project, and provide him/her with the project information on the current environmental project information form. This information will allow the Environmental Department to identify environmental concerns such as, but not limited to, permitting requirements, potentially required structural BMPs, and the identification of endangered species and/or impaired water bodies that must be avoided or mitigated. As another example, before construction, it may be necessary to evaluate, mark, and protect important trees and associated rooting zones, unique areas (e.g., wetlands), and other areas to be preserved.	Local SUSMP, CalGreen Code, or General Construction Storm Water Permit requirements 4-01, other user-defined BMPs
2.	Site Access Areas (construction entrances, roadways, equipment parking areas)	Stabilize site entrances and access roads if applicable prior to earthwork.	1-07, other user-defined BMPs
3.	Storm Drain/Drainage Inlet Protection	Install inlet protection at down-gradient inlets that project runoff/tracking might impact.	1-06, other user-defined BMPs
4.	Perimeter Sediment Control	Install perimeter sediment controls (silt fence, fiber rolls, etc.) as applicable prior to soil disturbing activities. Install additional runoff control measures during construction as needed.	1-02, 1-03, 1-04, 1-05, other user-defined BMPs
5.	Material and Waste Storage Areas	Prepare staging areas and material storage and disposal areas, as applicable, to reduce run-on and runoff. Install perimeter control, obtain clean-up materials, plastic covers for stockpiles, etc. prior to storing materials on site.	2-01 through 2-08, 1-08, other user-defined BMPs
6.	Drainage Control and Run-on Diversion	Install run-on controls to direct run-on around or through the site to minimize erosion in addition to sediment control measures.	4-01 through 4-13, other user-defined BMPs
7.	Earthwork (trenching, excavation, grading, surface roughening, grubbing)	Begin excavation, trenching, or grading after installing applicable sediment and runoff control measures. Install additional control measures as work progresses as needed.	1-01 through 1-08, other user-defined BMPs
8.	Surface Stabilization (temporary and permanent seeding, mulching)	Apply temporary or permanent soil stabilization measures as applicable on all disturbed areas where work is delayed or completed.	4-01 through 4-08, other user-defined BMPs

BMP SELECTION AND IMPLEMENTATION

Table 1 (continued)
BMP SELECTION AND SEQUENCING GUIDE

Step No.	Description	What to Do	BMP Options (see Table 2 for BMP activities)
9.	Construction and Paving (install utilities, buildings, paving)	Implement applicable control practices as work takes place.	3-01 through 3-9, other user-defined BMPs
10.	Final Stabilization and Landscaping	Stabilize open areas as applicable. Remove temporary control measures and install final stabilization controls appropriately (topsoil, trees and shrubs, permanent seeding, mulching, sod, riprap)	3-07, 4-03, 4-04, other user-defined BMPs

BMP SELECTION AND IMPLEMENTATION

Table 2
BMP SELECTION WORKSHEET FOR UTILITY ACTIVITIES

Utility BMP No.	BMP Options	Construction					Maint. and Repair				
		Overhead Electric	Underground Electric	Potholing	Underground Gas	Boring/Directional Drilling	Pipe Spans	Gen. Maint. and Repair	Inspect and Repair	Tree Trimming	Veg. Control
Section 1 Sediment Controls											
Choose from one or more of the following BMP options when applicable:											
BMP 1-01	Scheduling										
BMP 1-02	Silt Fence										
BMP 1-03	Fiber Rolls										
BMP 1-04	Gravel Bag Berm										
BMP 1-05	Sand Bag Barrier										
BMP 1-06	Storm Drain/Drainage Inlet Protection										
BMP 1-07	Tracking Controls										
BMP 1-08	Stockpile Management										
BMP 1-09	Sediment Basin										
BMP 1-10	Sediment Trap										
BMP 1-11	Check Dam										
BMP 1-12	Active Treatment Systems (ATS)										
Other-User Defined	BMP Description:										
Section 2 Waste Management and Material Controls											
Choose from one or more of the following BMP options when applicable:											
BMP 2-01	Material Delivery and Storage										
BMP 2-02	Material Use										
BMP 2-03	Spill Control										
BMP 2-04	Solid Waste Management										
BMP 2-05	Hazardous Materials/Waste Management										
BMP 2-06	Contaminated Soil Management										
BMP 2-07	Sanitary/Septic Waste Management										
BMP 2-08	Liquid Waste/Drilling Fluid Management										
Other-User Defined	BMP Description:										

BMP SELECTION AND IMPLEMENTATION

**Table 2 (continued)
BMP SELECTION WORKSHEET FOR UTILITY ACTIVITIES**

Utility BMP No.	BMP Options	Construction						Maint. and Repair			
		Overhead Electric	Underground Electric	Potholing	Underground Gas	Boring/Directional Drilling	Pipe Spans	Gen. Maint. and Repair	Inspect and Repair	Tree Trimming	Veg. Control
Section 3 Non-Storm Water Discharge Controls											
Choose from one or more of the following BMP options when applicable:											
BMP 3-01	Dewatering Operations										
BMP 3-02	Paving Operations										
BMP 3-03	Vehicle and Equipment Washing										
BMP 3-04	Vehicle and Equipment Fueling										
BMP 3-05	Concrete/Coring/Saw cutting and Drilling Waste Management										
BMP 3-06	Dewatering Utility Vaults										
BMP 3-07	Over-Water Protection										
BMP 3-08	Paint Removal Control										
BMP 3-09	Temporary Stream Crossing										
BMP 3-10	Clear Water Diversion										
Other-User Defined	BMP Description:										
Section 4 Erosion Control and Soil Stabilization											
Choose from one or more of the following BMP options when applicable:											
BMP 4-01	Preservation of Existing Vegetation										
BMP 4-02	Temporary Soil Stabilization (General)										
BMP 4-03	Hydraulic Mulch										
BMP 4-04	Hydroseeding										
BMP 4-05	Soil Binders										
BMP 4-06	Straw Mulch										
BMP 4-07	Geotextiles, Plastic Covers, and Erosion Control Blankets/Mats										
BMP 4-08	Dust (Wind Erosion) Control										
BMP 4-09	Diversion Berms and Drainage Swales										
BMP 4-10	Velocity Dissipation Devices										
BMP 4-11	Slope Drains										

BMP SELECTION AND IMPLEMENTATION

Table 2 (continued)
BMP SELECTION WORKSHEET FOR UTILITY ACTIVITIES

Utility BMP No.	BMP Options	Construction						Maint. and Repair			
		Overhead Electric	Underground Electric	Potholing	Underground Gas Boring/Directional Drilling	Pipe Spans	Gen. Maint. and Repair	Inspect and Repair	Tree Trimming	Veg. Control	Other
BMP 4-12	Streambank Stabilization										
BMP 4-13	Soil Preparation										
Other-User Defined	BMP Description:										

BMP DETAILS

The previous section provides details for the selection and implementation of BMPs for the most common utility construction activities. Once the BMP objectives are defined, it is necessary to identify the category or categories of BMPs that are best suited to meet each objective.

A category is a grouping of BMPs related in how they prevent pollution. The four categories are:

- **Section 1 - Sediment Controls**
- **Section 2 - Waste Management and Material Controls**
- **Section 3 - Non-Storm Water Discharge Controls**
- **Section 4 - Erosion Control and Soil Stabilization**

BMP DETAILS 1



Section 1 - Sediment Controls

Why Are Sediment Controls Needed?

Sediment controls are needed to provide a secondary or back-up mechanism to erosion control techniques to prevent sediment discharges from a site. Erosion controls are designed to prevent erosion (the detachment of soil particles from the surface by rain, flowing water or wind), whereas sediment controls are designed to trap soil particles once dislodged by rain, flowing water, or wind. Sediment particles (soil/dust) from construction, operations, and maintenance (construction like) activities can be transported to a different location by wind or water flow. Once these particles have become detached, they can be transported by wind or runoff to water bodies where they can cause damage to aquatic life by burying the animals or plants or reducing oxygen and/or sunlight that is necessary for their survival. Soil particles can also carry other damaging pollutants with them. Displaced sediment from these activities is therefore considered a pollutant by water quality regulatory agencies.

What are Sediment Controls?

Sediment controls include any method that aids in trapping soil particles after they have been detached and moved by wind or water. Sediment controls are usually passive systems that rely on filtering or settling the particles out of the water or wind that is transporting them. The sediment that has accumulated by the BMPs can be redistributed as excess soil on the construction site. Sediment controls are most effective in retaining sediment on site when used in combination with erosion control BMPs. Sediment Controls presented in this Manual include the following:

- BMP 1-01 Scheduling
- BMP 1-02 Silt Fence
- BMP 1-03 Fiber Rolls
- BMP 1-04 Gravel Bag Berm
- BMP 1-05 Sand Bag Barrier
- BMP 1-06 Storm Drain/Drainage Inlet Protection
- BMP 1-07 Tracking Controls
- BMP 1-08 Stockpile Management
- BMP 1-09 Sediment Basin
- BMP 1-10 Sediment Trap
- BMP 1-11 Check Dams
- BMP 1-12 Active Treatment Systems (ATS)



What	Scheduling consists of the planning of soil disturbance activities to avoid periods of rain whenever practical.
When	Scheduling of soil disturbance activities must be considered year-round.
Where	All construction and “construction like” operations and maintenance sites where soil disturbance activities take place.
How	<p>Use the following measures as applicable:</p> <ul style="list-style-type: none">• Consider scheduling major soil disturbing activities or activities near environmentally sensitive areas (e.g., adjacent to water bodies) during prolonged periods when no rain is forecast.• Monitor the weather forecast for seasonable and unseasonable rain events. Obtain weather information from the National Weather Service at<ul style="list-style-type: none">◦ www.srh.noaa.gov/• Print and maintain copies of forecasts to document decisions related to inspections and BMP implementation for projects subject to the CGP.• Appropriate sediment controls are required year round. Always be prepared to deploy additional erosion and sediment control and soil stabilization BMPs as needed. Off site sediment discharges can occur because of unseasonable rain, vehicle tracking, unanticipated wind, and non-storm water discharges.• Sequence work to minimize soil-disturbing activities during forecasted rain events.• Limit disturbed soil area to the amount of acreage that can be protected prior to a forecasted rain event.• Stabilize disturbed soil areas as soon as practical, and always prior to a forecasted rain event (See Section 4, Soil Erosion BMPs for soil stabilization methods).• Protect environmentally sensitive areas, such as drainage channels, streams, and natural watercourses.• When rain is forecast, adjust the construction schedule to implement soil stabilization and sediment controls on all disturbed areas prior to the onset of rain.
Maintenance and Inspection	<ul style="list-style-type: none">• Review applicable scheduling and sequencing of construction activities throughout the project or activity to minimize the total area of exposed soil and the exposed soil exposure time.• Inspect erosion and sediment controls prior to and after each storm event, and routinely throughout the construction and/or clean-up activity. If inspections warrant construction BMP changes, amend the schedule accordingly.



What Silt fences are temporary linear sediment barriers made of permeable fabric that lets water through but prevents the majority of sediment from passing through. Silt fences also act by intercepting and slowing the flow of sediment-laden runoff and allowing sediment to settle from the runoff before water leaves the construction site.

- When**
- Silt fences are designed to intercept sheet flows to moderately concentrated flows.
 - Generally, silt fences shall be used in conjunction with soil stabilization source controls up slope (see Section 4) to provide effective control, particularly for steep slopes, and slopes adjacent to water bodies or Environmentally Sensitive Areas (ESAs).
 - Consider BMP 1-03 “Fiber Rolls” for minor slopes or perimeter sediment control on flat or slightly sloped areas.

- Where** Silt fences are placed:
- Below the toe of exposed and erodible slopes.
 - Down-slope of exposed soil areas.
 - Around temporary stockpiles.
 - Along streams and channels.
 - Along the perimeter of a project.
 - Consider BMP 1-03 “Fiber Rolls” for small stockpiles and perimeters of areas with shallow slopes.

- How**
- Construct silt fences with a setback of at least 3 feet from the toe of a slope in areas suitable for temporary ponding or deposition of sediment. Where a 3-foot setback is not practical, construct as far from the toe of the slope as practical.
 - Construct the length of each reach (length of fence) so that the change in base elevation along the reach does not exceed one-third of the barrier height; each reach should not exceed 500 feet. The last 6 feet of the reach should be turned up slope.
 - The maximum length of slope draining to the silt fence should be 200 feet or less.
 - Excavate a trench approximately 6 inches wide and 6 inches deep to place the bottom of the silt fence into, ensuring that is not wider or deeper than necessary.
 - Key-in, or bury the bottom of silt fence fabric in the trench and tamp into place. If it is not feasible to trench along the slope contour, use sand bags or backfilling to key in the bottom of the fabric.
 - Install fence posts at least 12 inches below grade on the down slope side of trench.
 - **Silt fences should not be used to divert water. Silt fences should not be considered for installation below slopes steeper than 1:1 (vertical: horizontal) or that contain a high number of rocks or loose dirt clods unless the rocks are removed and erosion and soil stabilization controls (Section 4) are used up slope.**



Maintenance and Inspection

- Repair or replace split, torn, slumping, undercut or weathered fabric. Note that fabric may need to be replaced when installation is required for more than 5 to 8 months due to limited durability.

Maintenance and Inspection (cont.)

- Inspect silt fences prior to and after each storm event, daily during extended rain events during the construction and/or clean-up activity (e.g., weekly, or in compliance with the frequency specified in the project specific SWPPP, if applicable). Initiate repairs related to a storm event within 72 hours of identifying the problem or as soon as possible but prior to the next predicted storm event, per the CGP.
- Remove accumulated sediment when it reaches one third of the barrier height. Removed sediment shall be incorporated in the project at appropriate locations or disposed of in accordance with federal, state and local requirements.
- Silt fences that are damaged and become unsuitable for the intended purpose shall be removed and disposed of and replaced with new silt fence barriers or other applicable control.
- Remove silt fence when no longer needed and after up-gradient areas are permanently stabilized. Fill and compact post-holes and the anchor trench, remove sediment accumulation, and work the surface of the fence alignment to blend with adjacent ground.

Pictures



Silt fence installed with at least a 3 foot setback from the toe of an erodible slope. Note that use is combined with fiber rolls and serves as perimeter control.

Corresponding CASQA Fact Sheet

Fact Sheet SE-1



What A fiber roll (straw waddle) consists of straw, flax or other similar materials that are rolled and bound into a roll. The fiber roll lets water through but prevents the majority of sediment from passing through. Fiber rolls also act by intercepting and slowing the flow of sediment-laden runoff and allowing sediment to settle from the runoff before water leaves the construction site. In sensitive vegetation areas, only certified weed-free rice straw is to be used.

When Fiber rolls are used for sheet flow or where flows are slightly to moderately concentrated.

Where Fiber rolls are generally placed on the face of slopes at regular slope intervals to intercept runoff, reduce flow velocity, release the runoff as sheet flow and provide sediment removal.

- May be used along the top, face and at grade breaks of exposed and erodible slopes to shorten slope length and spread runoff as sheet flow.
- Fiber rolls are appropriate for perimeter site control or along streams, channels, storm drain inlets, or around stockpiles to intercept sediment-laden storm water and non-storm water runoff.

How Installation

- Locate fiber rolls on level contours spaced in accordance with the CGP requirements for LUP Type 2 & 3 and Risk Level 2 & 3 sites as follows:

Slope Grade	Spacing (sheet flow length not to exceed)
0-25%	20 feet
25-50%	15 feet
Over 50%	10 feet

- In non-paved areas, stake fiber rolls into a trench that is the width of the roll and one-third the depth of the roll (2- to 4-inch deep trench).
- Drive stakes into fiber rolls at a minimum of 4-foot intervals.
- If more than one fiber roll is placed in a row, fiber rolls should be overlapped and not abutted together.

Removal

- When used in a permanent application, fiber rolls can be left in place.
 - Permanent fiber rolls are typically encased with a biodegradable material.
 - Note that removal can result in greater soil disturbance.
- When used for a temporary application as storm drain inlet protection or stockpile control for example, the fiber rolls should be removed at the completion of the construction cleanup activity in that area.
 - Temporary fiber rolls are typically encased with plastic netting that does not biodegrade.
 - Remove fiber rolls only when up gradient areas are stabilized and/or pollutant sources are no longer a hazard.

SEDIMENT CONTROLS

Fiber Rolls (Waddles)

BMP 1-03



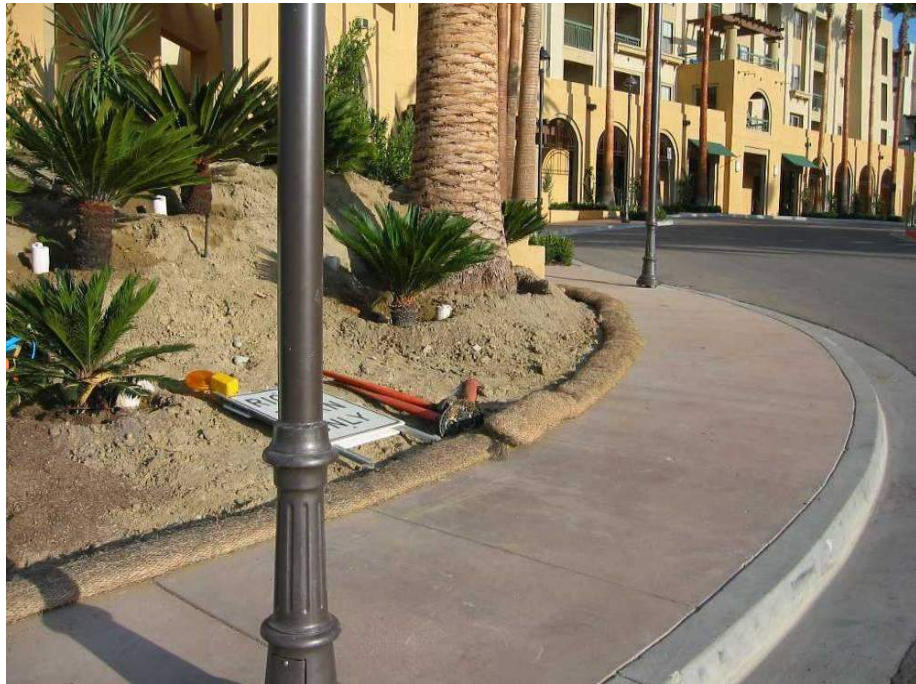
How (cont.)

- Remove fiber rolls before vegetation becomes too mature to avoid unnecessary soil and vegetation disturbance.
 - If fiber rolls are removed, collect and dispose of fiber roll and sediment accumulation as appropriate in accordance with federal, state and local requirements. Trapped sediment may be incorporated into the construction site. Fill and compact holes, trenches, depressions, or any other ground disturbance to blend with adjacent ground.
- Note that the cost of disposal of wet fiber rolls may be more expensive than dry fiber rolls.

Maintenance and Inspection

- Repair or replace spilt, torn, unraveling, or slumping fiber rolls.
- Inspect fiber rolls if rain is forecasted and perform maintenance as needed.
- Inspect fiber rolls prior to and after each rain event, and daily during extended rain events throughout the construction and/or clean-up activity (e.g., weekly, or in compliance with the frequency specified in the project specific SWPPP, if applicable). Initiate repairs related to a storm event within 72 hours of identifying the problem or as soon as possible but prior to the next predicted storm event, per the CGP.
- Do not use fiber rolls containing polyacrylamide or other flocculants. Use is considered "active treatment" and is subject to ATS requirements of the CGP (see BMP Detail 1-12).

Pictures



Fiber rolls as perimeter control.

**Pictures
(cont.)**



Fiber roll installation on the face of a slope.

**Corresponding
CASQA
Fact Sheet**

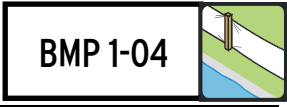
Fact Sheet SE-5



What	A gravel bag berm consists of at least a single row of gravel bags that are installed end-to-end to form a barrier across a slope to intercept runoff.
When	<p>Use gravel bag berms:</p> <ul style="list-style-type: none"> • When needed to reduce storm water flow velocity, release the runoff as sheet flow, and provide some sediment removal. • Gravel bag berms can also be used when flows are moderately concentrated and when it is desirable to filter sediment in runoff. Gravel bag berms are generally more permeable than sand bags.
Where	<ul style="list-style-type: none"> • Ditches, swales, and storm drain inlets • Gravel bag berms are also appropriate for perimeter site control or along streams, channels, storm drain inlets, or around stockpiles to intercept sediment laden storm water and non-storm water runoff. • Along the face and at grade breaks of exposed and erodible slopes to shorten slope length and spread runoff as sheet flow. • Gravel bags may be implemented with other BMPs to maximize sediment containment. • Sand bag barriers should be used in cases where it is desirable to block and pond flows (BMP 1-05 “Sand Bag Barrier”).
How	<ul style="list-style-type: none"> • When used as a linear control for sediment removal: <ul style="list-style-type: none"> ○ Install along a level contour. ○ Turn ends of gravel bag row up slope to prevent flow around the ends. ○ Generally, gravel bag barriers are used in conjunction with temporary soil stabilization controls up slope to provide effective control. • When used for concentrated flows: <ul style="list-style-type: none"> ○ Stack gravel bags to required height. When the height requires 3 rows or more, use a pyramid approach. ○ Upper rows of gravel bags shall overlap joints in lower rows. • Construct gravel bag barriers with a setback of at least 3 feet from the toe of a slope. Where a 3-foot setback is not practical, construct as far from the toe of the slope as practical.
Maintenance and Inspection	<ul style="list-style-type: none"> • Perform routine inspections of gravel bag berms prior to and after each storm event, and daily during extended rain events throughout the construction and/or clean-up activity (e.g., weekly, or in compliance with the frequency specified in the project specific SWPPP, if applicable). Initiate repairs related to a storm event within 72 hours of identifying the problem or as soon as possible but prior to the next predicted storm event, per the CGP. • Reshape or replace gravel bags as needed. • Repair washouts or other damage as needed. Note that bags may need to be replaced when installation is required for more than 6 months due to limited durability. • Inspect gravel bag berms for sediment accumulations and remove sediment when accumulation reaches one-third of the berm height. Removed sediment shall be incorporated in the project at appropriate locations or disposed of in accordance with federal, state and local requirements.

SEDIMENT CONTROLS

Gravel Bag Berm



Maintenance and Inspection (cont.) Pictures

- Remove gravel bag berms when no longer needed and when feasible, recycle gravel fill. Remove sediment accumulation, and clean, re-shape, and stabilize the area. Removed sediment shall be incorporated in the project at appropriate locations or disposed of in accordance with federal, state and local requirements.



Gravel bags and fiber rolls used as perimeter sediment controls.



Gravel bags used as perimeter control.

Corresponding CASQA Fact Sheet

Fact Sheet SE-6



- What** A sand bag barrier is a temporary linear sediment barrier consisting of at least one row high of sand bags placed end-to-end, designed to intercept and slow sediment-laden storm water and non-storm water runoff. Sand bag barriers allow sediment to settle from runoff before water leaves the construction site. Sand bag barriers tend to block and pond storm water flows.
- When**
- During construction or operation and maintenance activities in streambeds when the contributing drainage area is small.
 - To capture and detain non-storm water flows.
 - When site conditions or activity sequencing require adjustments or relocation of the barrier to meet changing field conditions and needs during construction.
 - To temporarily close or continue broken, damaged or incomplete curbs.
- Where** Sand bag barriers are used:
- To divert or direct flow away from disturbed slopes or create a temporary sediment basin.
 - Where flows are moderately concentrated, such as ditches, swales, and storm drain inlets to divert and/or detain flows.
 - Along the perimeter of a site, vehicle and equipment fueling and maintenance areas, chemical storage areas, or stockpiles.
 - Below the toe or down slope of exposed and erodible slopes.
 - Parallel to streams, channels, and roadways.
 - Across channels to serve as a barrier for utility trenches or provide a temporary channel crossing for construction equipment, or to reduce stream impacts.
 - Caution - do not use sand bag barriers in traffic areas or other areas where potential flooding is possible. Consider use of BMP 1-03 "Fiber Rolls" or BMP 1-04 "Gravel Bag Berms."
- How**
- When used as a linear control for sediment removal:
 - Install along a level contour.
 - Turn ends of sand bag row up slope to prevent flow around the ends.
 - Generally, sand bag barriers shall be used in conjunction with temporary soil stabilization controls up slope to provide effective control.
 - When used for concentrated flows:
 - Stack sand bags to required height. When the required height is three rows or more, use a pyramid approach. Upper rows of sand bags shall overlap joints in lower rows.
 - Construct sand bag barriers with a setback of at least 3 feet from the toe of a slope. Where a 3-foot setback is not practical, construct as far from the toe of the slope as practical.



Maintenance and Inspection

- Perform routine inspections of sand bag barriers prior to and after each storm event, and daily during extended rain events throughout the construction and/or clean-up activity (e.g., weekly, or in compliance with the frequency specified in the project specific SWPPP, if applicable). Initiate repairs related to a storm event within 72 hours of identifying the problem or as soon as possible but prior to the next predicted storm event, per the CGP. Repair washouts or other damages as needed.
- Note that bags may need to be replaced when installation is required for more than 6 months due to limited durability.
- Inspect sand bag barriers for sediment accumulations and remove sediments when accumulation reaches one-third the barrier height.
- Remove sand bags when no longer needed and when feasible, recycle fill. Remove sediment accumulation, and clean, re-grade, and stabilize the area. Incorporate removed sediment at appropriate project locations or disposed of in accordance with federal, state and local requirements.

Pictures



Sand bags used as perimeter control.

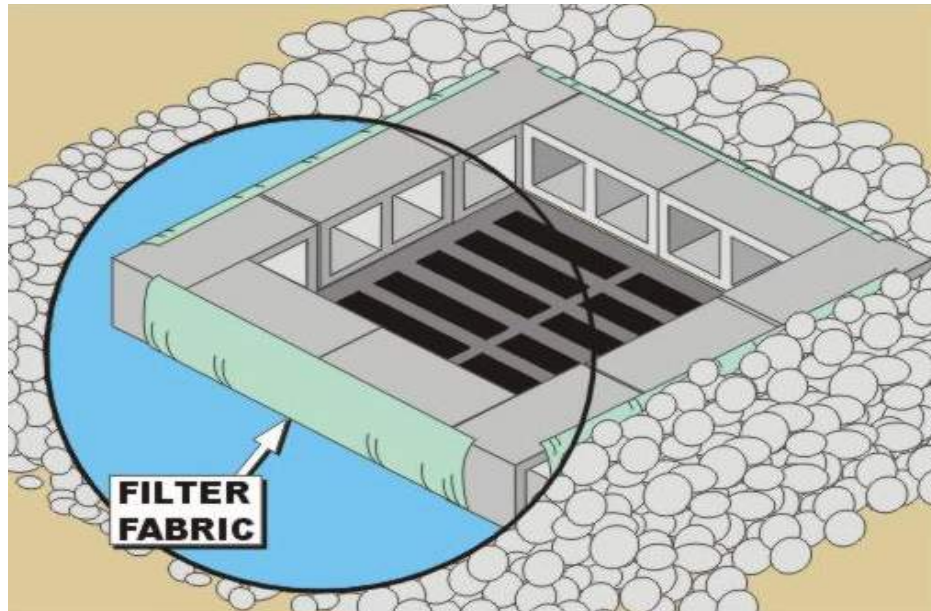
Corresponding CASQA Fact Sheet

Fact Sheet SE-8



What	A BMP or a combination of BMPs used at storm drains or other drainage inlets to protect against the discharge of sediment-laden storm water and non-storm water runoff from construction or operational and maintenance activities. The BMP slows or ponds the storm water flow, giving the sediment time to settle out before discharge to the storm drain.
When	This BMP is required on all construction projects and operation and maintenance sites when sediment laden surface runoff may enter a storm drain inlet and/or drainage to watercourses. Do not construct when runoff will result in ponding into road traffic or onto erodible surfaces or slopes, or overflow onto the sidewalk.
Where	At downstream storm drain and/or drainage inlets that have the potential to be impacted by construction or “construction like” operation and maintenance activity, site storm water run-off, or non-storm water discharges.
How	<ul style="list-style-type: none">• Identify all downstream storm drain inlets or drainages that have the potential to receive runoff or non-storm water discharges from construction activities.• Where a storm drain or drainage inlet is on or at the bottom of a slope, a series of small check dams (i.e., gravel bag berms) constructed at intervals along the slope may be required to slow the runoff. See BMP 1-11.• Select appropriate protection and construct inlet protection based on the configuration of inlets at the site.• Some municipalities require removal of BMPs from storm drains within 72 hours of a rain event (e.g., City of San Diego requires removal of inlet protection in the case that 0.25 inch or greater of rain is predicted). Consult with your project Field Environmental Representative for local requirements.• Remove inlet protection devices at the end of the construction period, or when the inlet can no longer be impacted by the project or activity.
Maintenance and Inspection	<ul style="list-style-type: none">• Perform routine inspections of BMPs prior to and after storm event, and daily during extended rain events throughout the construction and/or clean-up activity (e.g., weekly, or in compliance with the frequency specified in the project specific SWPPP, if applicable). Initiate repairs related to a storm event within 72 hours of identifying the problem or as soon as possible but prior to the next predicted storm event, per the CGP.• During inspections:<ul style="list-style-type: none">○ Inspect bags, silt fence, or filter fabric for holes, gashes, and snags.○ Check gravel bags for proper arrangement and displacement.○ Remove the sediment behind the barrier when it reaches one-third of the barrier height. Removed sediment should be incorporated in the project or disposed of in accordance with federal, state and local requirements.

Pictures




Block and gravel-type inlet protection.



Inlet protection that blocks flow, preventing non-storm water discharges from entering drain.

SEDIMENT CONTROLS

Storm Drain/Drainage Inlet Protection

BMP 1-06 

Pictures (cont.)



Gravel bag inlet protection.



Inlet protection using fiber rolls and filter fabric.

Corresponding CASQA Fact Sheet

Fact Sheet SE-10



- What** Tracking controls consist of constructed/manufactured steel plates (rumble plates) or gravel. Tracking controls reduce offsite tracking of sediment and other pollutants by providing a stabilized entrance at defined soil disturbance activity site entrances and exits with materials that aid in removing sediment from vehicles, especially their tires or tracks. Controls can also consist of providing methods to clean-up sediment or other materials to prevent them from entering a storm drain, such as sweeping or vacuuming. Tracking controls can also include implementing tire washing.
- When**
- Stabilized entrances/exits should be implemented on each soil disturbance site having a defined entrance/exit consisting of soil which terminates into a paved roadway or substantial paved surface. Stabilized entrances/exits are in addition to other applicable BMPs.
 - Daily sweeping or vacuuming should be implemented when sediment is tracked from the site onto public or private paved roads, typically at points of site exit.
 - Install and implement tire washing when the above methods are not adequately controlling track-out.
- Where** Use stabilized entrances and/or sweeping (and tire washing, if needed) at construction and “construction like” operations and maintenance activity sites:
- where dirt or mud is tracked onto public roads;
 - adjacent to water bodies;
 - where poor soils are encountered, such as soils containing clay; and
 - where dust is a problem during dry weather conditions.
- How**
- Stabilized Entrances
- Limit the points of entrance/exit to the construction or operations and maintenance site by designating combination or single purpose entrances and exits. Require all employees, subcontractors and others to use them. Limit speed of vehicles to control dust.
 - Where feasible, grade each construction entrance/exit to prevent runoff from leaving the construction site.
 - Route runoff from stabilized entrances/exits through a sediment-trapping device before discharge (see BMP 1-10).
 - Design stabilized entrance/exit to support heaviest vehicles and equipment.
 - Select construction access stabilization (aggregate, asphaltic concrete, concrete) based on longevity, required performance, and site conditions.
 - Use of constructed or constructed/manufactured steel plates with ribs for entrance/exit access is allowed.
 - If aggregate is selected, place crushed aggregate over geotextile fabric to at least 12 inches deep, or place aggregate to a depth recommended by a geotechnical engineer. A crushed aggregate greater than 3 inches but smaller than 6 inches shall be used.
- Street Sweeping and Vacuuming
- Inspect potential sediment tracking locations routinely.
 - Visible sediment tracking should be swept or vacuumed as needed. Manual sweeping is appropriate for small jobs.

How



- (cont.)**
- For larger projects, it is preferred to use mechanical sweeping methods that collect removed sediment and material.
 - If not mixed with debris or trash, incorporate the removed sediment back into the project or dispose of in accordance with federal, state and local requirements.
- Tire Washing
- Design wash rack to support the heaviest traffic loads.
 - Provide a turnout or doublewide exit to avoid traffic from entering through the tire washing area.
 - Design a drainage ditch to route all rinse or wash waters from the tire washing area to a sediment trapping device (see BMP 1-10) to prevent any wash runoff from leaving the site.
 - Hoses should be equipped with automatic shutoff nozzles.
- Maintenance and Inspection**
- Stabilized Entrances
- Inspect routinely for damage and assess effectiveness. Remove sediment and repair if the stabilized entrance/exit is clogged with sediment.
 - Perform routine inspections of BMPs, prior to and after storm events, and daily during extended rain events throughout the construction and/or clean-up activity (e.g., weekly, or in compliance with the frequency specified in the CGP, if applicable). Initiate repairs related to a storm event within 72 hours of identifying the problem or as soon as possible but prior to the next predicted storm event, per the CGP.
 - Where tracking has occurred on roadways, sweeping should be conducted the same day. Water should not be used to wash sediment off the streets, unless necessary. If water is used, it must be captured, preventing sediment-laden water from running off the street or site.
 - Keep all temporary roadway ditches clear.
- Street Sweeping and Vacuuming
- Inspect silt fences prior to and after each storm event, daily during extended rain events during the construction and/or clean-up activity (e.g., weekly, or in compliance with the frequency specified in the project specific SWPPP, if applicable). Initiate repairs related to a storm event within 72 hours of identifying the problem or as soon as possible but prior to the next predicted storm event, per the CGP.
 - Inspect all site paved access roads daily and remove any sediment or other materials on the roads by vacuuming or sweeping daily, as needed, and prior to any rain event in accordance with the CGP Risk Levels 2 & 3 requirements.
 - Be careful not to sweep up any unknown substance or any object that may be potentially hazardous.
 - After sweeping is finished, properly dispose of sweeper wastes.
- Tire Washing
- Inspect BMPs prior to and after each storm event, daily during extended rain events during the construction and/or clean-up activity (e.g., weekly, or in compliance with the frequency specified in the project specific SWPPP, if applicable). Initiate repairs related to a storm event within 72 hours of identifying the problem or as soon as possible but prior to the next predicted storm event, per the CGP.
 - Inspect rack and/or sediment trap system routinely for damage and assess effectiveness. Remove accumulated sediment to maintain system

performance.

Pictures



Manufactured metal plates knock dirt off vehicle tires before exiting a site.



Drive through wheel wash before exiting a site.

**Corresponding
CASQA
Fact Sheet**

Fact Sheets TC-1, TC-2, TC-3, and SE-7



- What** Stockpile management consists of placing temporary BMPs, such as secured covers, over the piles, and/or placing berms, silt fences, fiber rolls, sand/gravel bags or straw bale barriers around the perimeter of stockpiles. Soil stabilizers/binders may also be used to augment stockpile management (BMP 4-05).
- When** Use this BMP when construction projects or operation and maintenance activities require stockpiled soil, waste materials, and/or paving materials. Protection of stockpiles must be implemented whenever there is a potential for transport of materials by a water source or by wind.
- Construction and waste material stockpiles require protection from rain and wind at all times unless actively being used (protect during non-activity). Projects with SWPPPs require protection at the end of each day.
- Where** Stockpiles at construction and “construction like” operation and maintenance activity sites, protecting against both run-on and run-off.
- How** One or more of the following options may be used to manage stockpiles and prevent stockpile erosion and sediment discharges for storm water and non-storm water runoff/run-on.
- Stockpile may be returned to the excavation if precipitation is forecast.
 - Sufficient BMP materials for temporary stockpile protection should be available onsite. Select cover materials or methods based on anticipated duration.
 - Protect stockpiles from storm water run-on and sediment runoff from the stockpiles using a temporary perimeter sediment barrier such as berms, silt fences, fiber rolls, sand/gravel bags, or straw bale barriers, as appropriate.
 - Cover stockpiles to prevent erosion. Note that the CGP requires that inactive stockpiles be covered. Where feasible, cover/protect stockpiles using a soil binder, according to BMP 4-05. Alternately, secure stockpiles with covers such as Visqueen weighted down with gravel bags, or sand bags. Plastic should be properly re-used or disposed of properly. Note the CGP discourages the use of plastic materials for cover when more sustainable alternatives can be used.
 - Stockpiles may be hauled off or temporarily stored in a protected location off site.
- Keep stockpiles organized and surrounding areas clean.
 - Protect storm drain inlets, watercourses, and water bodies from stockpiles, as appropriate.
 - Implement dust control practices as appropriate on all stockpiled material.
 - **Stockpiles should be covered, stabilized, or protected prior to the onset of precipitation.**
 - Repair and/or replace covers, and perimeter containment structures as needed.
 - Inspect BMPs prior to and after each storm event, daily during extended rain events during the construction and/or clean-up activity (e.g., weekly, or in compliance with the frequency specified in the project specific SWPPP, if applicable). Initiate repairs related to a storm event within 72 hours of identifying the problem or as soon as possible but prior to the next predicted storm event, per the CGP.



Maintenance and Inspection

Pictures



Stockpile covered with plastic and secured with large rocks.



Silt fence used for stockpile perimeter control.

**Corresponding
CASQA
Fact Sheet**

Fact Sheet WM-3



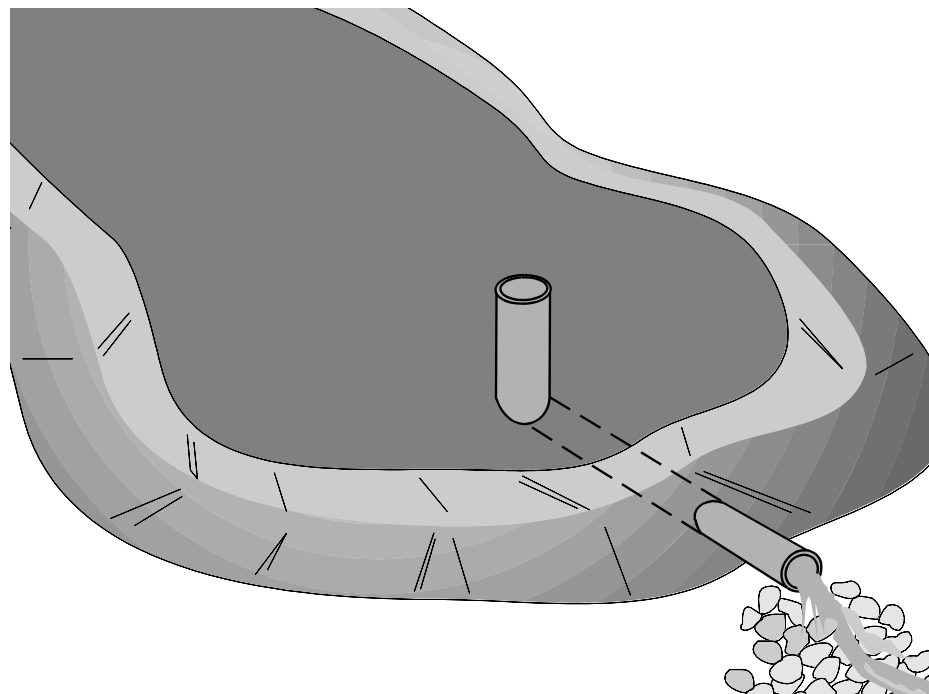
- What** Sediment basins are temporary basins formed by excavation or by constructing an embankment to temporarily detain sediment-laden runoff, allowing sediment to settle out before water leaves the site. The CGP specifies that sediment basins be designed per the CASQA fact sheet SE-2, therefore, this BMP provides general guidance and the CASQA handbook reference.
- When** Sediment basins are appropriate:
- If sediment-laden water may enter a drainage system or watercourse.
 - If areas are disturbed during the rainy season, in association with dikes, temporary channels, and pipes to convey runoff from disturbed areas.
 - To construct before land disturbance, when feasible.
 - In conjunction with erosion controls.
- Where** Sediment basins are suitable on larger projects with sufficient space for the basin, and should be considered:
- Where maintenance is possible year-round.
 - Within property limits, and where failure will not result in loss of life, building damage, or interruption of public roads or utilities.
 - At the outlet of disturbed areas draining generally between 5 and 75 acres, evaluated on a site-specific basis.
 - Where post-construction detention basins are required.
- How** Design the sedimentation basin in accordance with CASQA fact sheet SE-2.
- In general, the basin depth must be no less than 3 feet, not including freeboard, which includes a sediment storage zone and a settling zone of at least 1 and 2 feet deep, respectively.
 - Include features to accommodate overflow or bypass flows that exceed the design storm event.
 - Utilize rock, vegetation, or other erosion control measures to protect the basin inlet, outlet, and slopes against erosion.
 - Continuous fencing should be provided around the sedimentation basin to prevent unauthorized entry.



Maintenance and Inspection

- Inspect BMPs prior to and after each storm event, daily during extended rain events during the construction and/or clean-up activity (e.g., weekly, or in compliance with the frequency specified in the project specific SWPPP, if applicable). Initiate repairs related to a storm event within 72 hours of identifying the problem or as soon as possible but prior to the next predicted storm event, per the CGP.
- Inspect basin banks for seepage and structural soundness.
- Check inlet and outlet structures, spillway, and fencing for damage or obstructions. Repair damage and remove obstructions as needed.
- Remove accumulated sediment when it reaches 1/2 of the basin height or in accordance with the SWPPP requirements. Removed sediment shall be incorporated into the project appropriately or disposed of in accordance with federal, state and local requirements.
- Remove accumulation of any vegetation during every inspection.
- Remove standing water from the basin within 72 hours after accumulation to prevent the production of mosquitoes.
- Completely remove basin when no longer needed. Remove sediment accumulation. Fill and compact excavation, any fencing post-holes and anchor trench, and blend the surface with the adjacent ground.

Pictures



Corresponding CASQA Fact Sheet

Fact Sheet SE-2



What Sediment traps are small, temporary containment areas where sediment-laden runoff is detained, allowing sediment to settle from the runoff before water leaves the site. Sediment traps are formed by excavating or constructing an earthen embankment across a waterway or low drainage area, and usually have a gravel outlet. Sediment traps only remove large and medium-sized soil particles and require upstream erosion control.

When Sediment traps are appropriate:

- If the drainage area is less than 5 acres.
- If sediment-laden water may enter a drainage system or watercourse.
- Construction or operation and maintenance activity occurs in small drainage areas with no unusual drainage features, and short-duration construction activities.
- To construct before land disturbance, when feasible.
- In conjunction with upstream erosion controls.

Where Sediment traps are suitable on sites with sufficient space to allow for infiltration and sediment settling, and should be considered:

- Outside the area being graded, but as near as practical to sediment producing areas, with access for maintenance.
- At the perimeter of a site, at one or more locations where sediment-laden runoff is discharged offsite, to a storm drain or watercourse.
- Around or upslope from storm drain inlet protection measures.
- Within property limits and where failure will not result in loss of life, building damage, or interruption of public roads or utilities.
- **Should not be located in streams unless properly permitted with regulatory agencies. Consult with the Field Environmental Representative.**



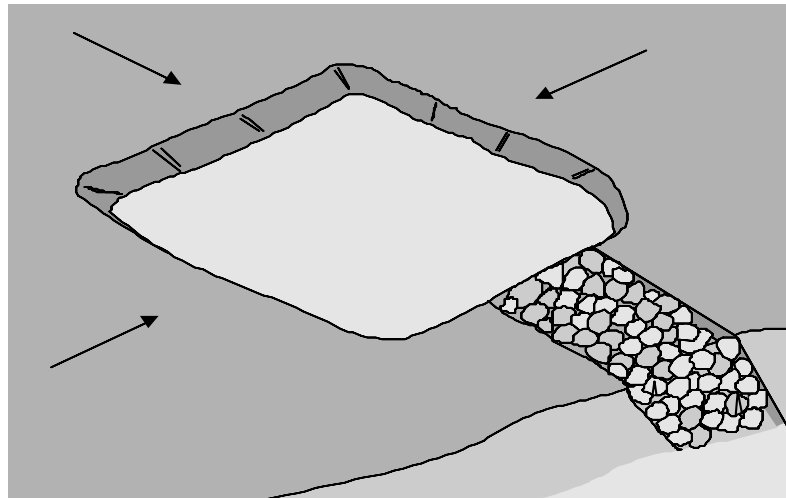
How

- Design the sediment trap per referenced engineering standards or local grading ordinance.
- Trap side slopes should be 1:3 (vertical: horizontal) or flatter.
- Trap should be sized to accommodate a settling zone and sediment storage zone with recommended minimum volumes of 67 yd³/acre and 33 yd³/acre of contributing drainage area, respectively, based on 0.5 inch of runoff volume over 24 hours. Larger or multiple traps may be required to accommodate specific rainfall, soil, or site conditions.
- Traps with an impounding levee greater than 4.5 feet tall, measured from the lowest point of the impounding to the highest point of the levee, and traps capable of impounding more than 35,000 ft³, should be designed by a California Registered Civil Engineer.
- The outlet pipe or open spillway must be designed to convey anticipated peak flows.
- When an earth or stone outlet is used, the outlet crest elevation should be at least 1 foot below the top of embankment.
- When a crushed stone outlet is used, the crushed stone or gravel should meet AASHTO M43, size No. 2 or 24, or its equivalent.



- How (cont.)**
- Clear any vegetation under the embankment and pool area.
 - The compacted embankment fill material must be free of roots, vegetation, oversize, or other objectionable material.
 - When a riser is used, all pipe joints must be watertight, and at least the top 2/3 of the riser should be perforated with 0.5-inch diameter holes spaced 8 inches vertically and 10 to 12 inches horizontally.
 - Utilize rock, vegetation, or other erosion control measures to protect the trap outlets against erosion.
 - Fencing should be provided around the trap to prevent unauthorized entry.
- Maintenance and Inspection**
- Inspect BMPs prior to and after each storm event, daily during extended rain events during the construction and/or clean-up activity (e.g., weekly, or in compliance with the frequency specified in the project specific SWPPP, if applicable). Initiate repairs related to a storm event within 72 hours of identifying the problem or as soon as possible but prior to the next predicted storm event, per the CGP.
 - Inspect trap banks for seepage and structural soundness.
 - Inspect outlet structures, spillway, and fencing for any erosion, damage, or obstructions. Repair damage and remove obstructions as needed.
 - Remove accumulated sediment when it reaches one third of the trap capacity. Removed sediment shall be incorporated in the project appropriately or disposed of in accordance with federal, state and local requirements.
 - Remove accumulation of any vegetation during every inspection.
 - Water suitable for mosquito production may stand in the sediment trap, particularly if subjected to daily non-storm water flows. Remove standing water from the trap 72 hours after accumulation.
 - Remove trap when no longer needed. Remove sediment accumulation, fill and compact excavation, any fencing post-holes, and blend the surface with adjacent ground.
 - BMPs that require dewatering shall be continuously attended during dewatering. Dewatering BMPs shall be implemented at all times during such activities.

Pictures



**Corresponding
CASQA
Fact Sheet**

Fact Sheet SE-3



What Check dams are small barriers constructed of rock, logs, gravel bags, sandbags, fiber rolls, or other suitable materials, placed across a swale or drainage ditch. Check dams create small pools and reduce the effective slope of the channel, reducing scour and erosion by reducing flow velocity and increasing residence time within the channel. Check dams promote sediment trapping.

When Check dams are appropriate:

- If sedimentation should be promoted behind the dam.
- If erosion protection is desired in small intermittent channels and temporary swales.
- During the establishment of grass linings in drainage ditches or channels.
- If grade control is desired or required.

Where Check dams should be considered:

- In small open channels that drain 10 acres or less.
- In channels to reduce slope and storm water runoff velocities.
- In temporary ditches where the short length of service does not warrant establishment of erosion-resistant lining.



Check dams should not be used:

- **In streams or in channels with flow between storm events.**
- In channels that are already grass-lined, unless erosion potential or sediment-laden flow is expected. Installation of check dams may damage vegetation.

How

- Do not construct check dams with straw bales or silt fence, since concentrated flows quickly wash out these materials.
- Check dams reduce the capacity of the ditch or swale. Alternative BMPs or an increased swale or ditch size may be necessary or the size of the ditch or swale may need to be increased to prevent overtopping.
- Maximum slope and velocity reduction is achieved when the toe of the upstream dam is at the same elevation as the top of the downstream dam. The center section of the dam should be lower than the edge sections (at least 6 inches), acting as a spillway, so that the check dam will direct flows to the center of the ditch or swale.
- The check dam should be installed along a level contour and should completely span the ditch or swale to prevent washout.
- Install the first check dam approximately 16 feet from the outfall device and at regular intervals based on slope gradient and type.
- Check dams should be placed at a distance and height to allow small pools to form between each check dam.
- For multiple check dam installation, backwater from a downstream check dam should reach the toe of the upstream check dam.
- High flows (typically a 2-year storm or larger) should safely flow over the check dam without an increase in upstream flooding or damage to the check dam.



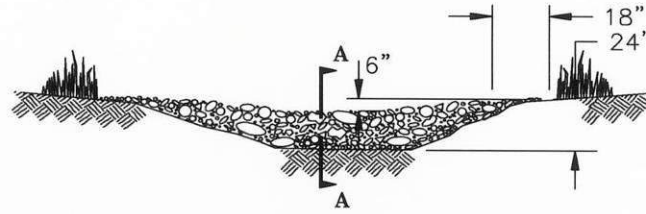
How (cont.)

- Rock check dams are usually constructed of 8 to 12 inch rock placed individually by hand or mechanically, but never dumped. The rock used should be large enough to stay in place given the expected channel flow. Abutments should be extended 18 inches into the channel bank. Rock can be graded such that smaller diameter rock (2 to 4 inches) is located on the upstream side of larger rock, increasing residence time.
- Log check dams are usually constructed of 4 to 6 inch diameter logs installed vertically, and embedded at least 18 inches into the soil, and can be bolted or wired.
- See BMP 1-03 for installation of fiber roll check dams. Fiber rolls should be trenched in, backfilled, and firmly staked.
- Gravel bag and sand bag check dams are constructed by stacking bags across the ditch or swale. Gravel bags and sand bags used to construct check dams should conform to the requirements of BMP 1-04 and 1-05, respectively. Tightly abut bags and stack in a pyramid fashion no higher than 3 feet. Upper rows shall overlap joints in lower rows.
- Manufactured products used to construct check dams should be installed in accordance with the manufacturer's instructions, and typically requires trenching or anchoring.
- If grass is planted to stabilize the ditch or swale, the check dam should be removed when the grass has matured, unless the slope of the swale is greater than 4 percent.

Maintenance and Inspection

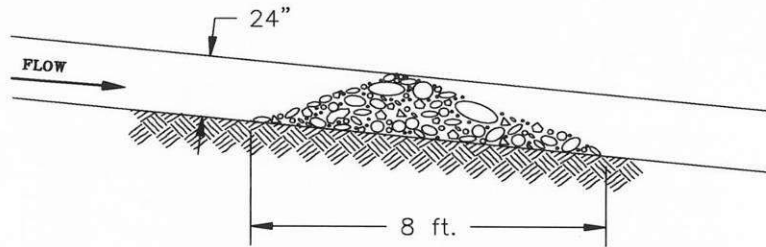
- Check dams require extensive maintenance following high-velocity flows.
- Inspect BMPs prior to and after each storm event, daily during extended rain events during the construction and/or clean-up activity (e.g., weekly, or in compliance with the frequency specified in the project specific SWPPP, if applicable). Initiate repairs related to a storm event within 72 hours of identifying the problem or as soon as possible but prior to the next predicted storm event, per the CGP.
- Replace missing, damaged, or degraded rock, bags, rolls, etc.
- If the check dam is used as a grade control structure, sediment removal is not required as long as the system continues to control the grade.
- Sediment can be re-suspended during subsequent storms or removal of the check dam. Remove accumulated sediment when it reaches 1/3 of the barrier height, and prior to permanent seeding or soil stabilization. Removed sediment shall be incorporated in the project at appropriate locations or disposed of in accordance with federal, state and local requirements.
- Water suitable for mosquito production may stand behind check dams, particularly if subjected to daily non-storm water flows. Remove standing water from the dam 72 hours after accumulation.
- Remove check dam and accumulated sediment when no longer needed.

Pictures



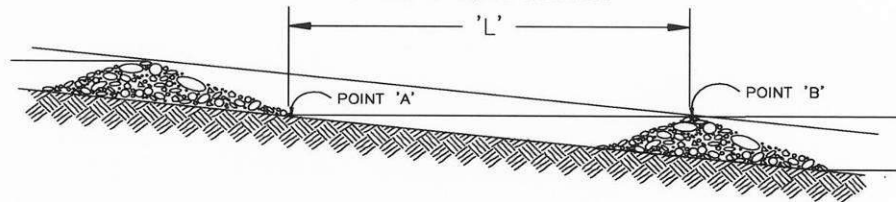
VIEW LOOKING UPSTREAM

NOTE:
 KEY STONE INTO THE DITCH BANKS
 AND EXTEND IT BEYOND THE ABUTMENTS
 A MINIMUM OF 18" TO PREVENT OVER
 FLOW AROUND DAM.



SECTION A - A

'L' = THE DISTANCE SUCH THAT POINTS 'A' AND
 'B' ARE OF EQUAL ELEVATION.



SPACING BETWEEN CHECK DAMS

Corresponding
CASQA
 Fact Sheet

Fact Sheet SE-4



What Active Treatment Systems (ATS) reduce turbidity of runoff by introducing chemicals to storm water through direct dosing or an electrical current to enhance flocculation, coagulation, and sediment settling. Coagulants and flocculants include inorganic salts and polymers which enhance sediment settling and removal and reduce turbidity. The CGP has specific requirements for ATS. Only general guidance for ATS is provided in this BMP; additional details are provided in the CASQA Handbook.

Limitations:



- **Specific permit requirements or mitigation measures such as RWQCB 401 Certification, U.S. Army Corps of Engineers 404 permit, and approval by the California Department of Fish and Game supersede the guidance in this BMP.**
- If numerical water quality standards are mentioned in any permits, testing and sampling may be required. Streams listed as 303(d) impaired for sediment, silt, or turbidity, are required to conduct sampling to verify that there is no net increase in sediment load due to construction activities.

When ATS should be used when a rigorous combination of drainage control, erosion control, and sediment control BMPs are not effective or are not anticipated to be effective based on site soil types (e.g., fine grained or highly erosive soils), proximity to sediment-sensitive receiving waters, and/or other site constraints. Phasing and limiting active areas of disturbance should be considered prior to use of an ATS.

Where ATS should be considered where turbid discharges to sediment and turbidity sensitive waters cannot be avoided using traditional BMPs.

How



- **ATS should be implemented in accordance with the guidance provided in the CASQA Handbook.**
- **Dischargers choosing to utilize chemical treatment in ATS must also follow all guidelines of the CGP Attachment F - Active Treatment System Requirements.**

Maintenance and Inspection

- ATS must be operated and maintained by experienced personnel meeting CGP training requirements at all times during treatment operations. Visual monitoring for proper performance shall be performed daily and recorded in a data log. The project data log shall include the name, phone number, and training documentation of the person responsible for operating and monitoring ATS.
- Requirements for ATS shall include but are not limited to operational and compliance monitoring, toxicity monitoring for batch and flow-through treatments, numeric effluent limit compliance, operator training, implementation of standard BMPs, and proper sediment removal and disposal.

Pictures

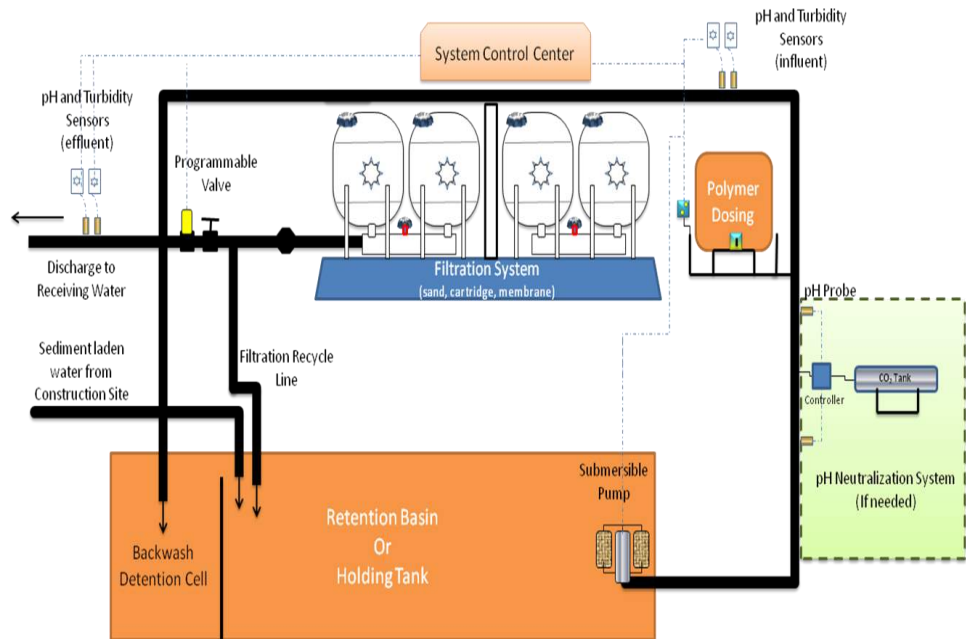
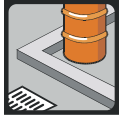


Figure has been adapted from Port of Seattle response to Washington Dept. of Ecology Action Order 2948

Corresponding
CASQA
Fact Sheet

Fact Sheet SE-11

BMP DETAILS 2



Section 2 - Waste Management and Material Controls

Why Are Waste Management and Material Controls Required?

Federal, state and local laws, regulations, ordinances and permits prohibit the discharge of contaminated storm water to storm drains, drainages, and surface waters. Pollutants such as litter, paint, solvents, fuel, lubricants and demolition wastes, can be transported by runoff from a construction site. These BMPs address pollutants associated with material use and waste management to ensure that all pollutants are properly managed and are not discharged to storm drains, drainages, and surface waters.

What are Waste Management and Material Controls?

Waste Management and Materials Controls are source control BMPs that reduce or prevent contact between wastes and/or materials and storm water. Waste Management and Materials Controls presented in this Manual include the following:

- BMP 2-01 Material Delivery and Storage
- BMP 2-02 Material Use
- BMP 2-03 Spill Control
- BMP 2-04 Solid Waste Management
- BMP 2-05 Hazardous Materials/Waste Management
- BMP 2-06 Contaminated Soil Management
- BMP 2-07 Sanitary/Septic Waste Management
- BMP 2-08 Liquid Waste/Drilling Fluid Management



What	Material Delivery and Storage Controls are procedural BMPs controlling the delivery and storage of construction materials, supplies and wastes so that storm water run-on and run-off and non-storm water discharges do not contact the material or wastes.
When	This BMP is applicable when it is necessary to store materials at a construction or operations and maintenance site, and does not apply to materials and supplies stored on trucks that are driven on site and off site daily.
Where	All construction or operations and maintenance activity sites where construction material is delivered or stored and has the potential to be contacted by storm water.
How	Use the following BMP measures as appropriate: <ul style="list-style-type: none">• Only store the minimum amount of material that is needed for the job.• Locate storage areas away from storm drain inlets, drainage systems, and watercourses to prevent storm water run-on from reaching the materials.• If practical, store materials in enclosed storage containers such as cargo containers.• Store materials on impervious surfaces or use plastic groundcovers and berms on bare soil to prevent spills or leakage from contaminating the ground.• For known hazardous materials, keep materials covered using plastic or other waterproof materials.• Store chemicals in water tight containers with appropriate secondary containment systems or in a storage shed to prevent contaminated run-off/run-on from leaving storage areas.• Keep an adequate supply of spill kit materials nearby.• Ensure that qualified personnel are available when hazardous materials are delivered to ensure proper delivery and storage in a designated area.• Material Safety Data Sheets (MSDS) should be made available on-site for all materials stored that have the potential to come in contact with storm water.• When a storage area is no longer needed, return it to original condition.• Bagged materials such as cold patch, concrete mix, and other materials with the potential to pollute runoff should be placed on pallets and covered during non-working days and prior to and during rain events.
Maintenance and Inspection	<ul style="list-style-type: none">• Repair or replace covers, containment structures, or perimeter controls as needed to ensure proper function.• Perform Routine BMP inspections of labels on containers and designated delivery and storage areas.• Inspect BMPs prior to and after each storm event, daily during extended rain events during the construction and/or clean-up activity (e.g., weekly, or in compliance with the frequency specified in the project specific SWPPP, if applicable). Initiate repairs related to a storm event within 72 hours of identifying the problem or as soon as possible but prior to the next predicted storm event, per the CGP.

Pictures



Materials are covered and neatly stored within a curbed area.

**Corresponding
CASQA
Fact Sheet**

Fact Sheet WM-1



- What** Material Use is a procedural BMP that controls the amount or use of materials, chemicals and/or hazardous substances stored onsite and minimizes their potential for contact with storm water run-on or runoff or by non-storm water discharges.
- When** Apply the Material Use BMP when the following materials are used or prepared on site:
- Pesticides (herbicides, insecticides, and biocides).
 - Fertilizers and soil amendments.
 - Detergents.
 - Petroleum products such as fuel, oil, and grease.
 - Asphalt and other concrete components.
 - Hazardous chemicals such as acids, lime, glues, adhesives, paints, solvents, and curing compounds.
 - Mastic, pipe wrap, primers, and paint.
 - Concrete compounds.
 - Welding material.
 - Other materials that may be detrimental if released to the environment.
- Where** All construction and operations and maintenance activity sites that utilize the above materials.
- How**
- Only use products or materials onsite that have been approved through the SDG&E Product Approval process.
 - Reduce or eliminate use of hazardous materials on site when practical. Contact your Field Environmental Representative for additional information.
 - Do not remove the original product label; it contains important safety and disposal information. Use the entire product before disposing of the container.
 - Thoroughly dry empty latex paint cans, used brushes, paint rags, absorbent materials, and drop cloths. These dry wastes may be disposed of with other construction debris.
 - When possible, mix paint indoors, otherwise use secondary containment structures. Do not clean paintbrushes or rinse paint containers into a street, gutter, storm drain, sanitary sewer or watercourse.
 - Dispose of any paint thinners, residue, and sludge that cannot be recycled as hazardous waste (see BMP 2-05). For water-based paint, clean brushes to the extent practical, and rinse into a concrete washout pit or temporary sediment trap. Do not allow liquid to discharge to a storm water conveyance system. For oil-based paints, clean brushes to the extent practical and filter and reuse thinners and solvents.
 - If possible, recycle residual paints, solvents, non-treated lumber, and other materials.
 - **Do not over-apply fertilizers, pesticides, and soil amendments. Prepare only the amount needed. Strictly follow the recommended usage instructions.**





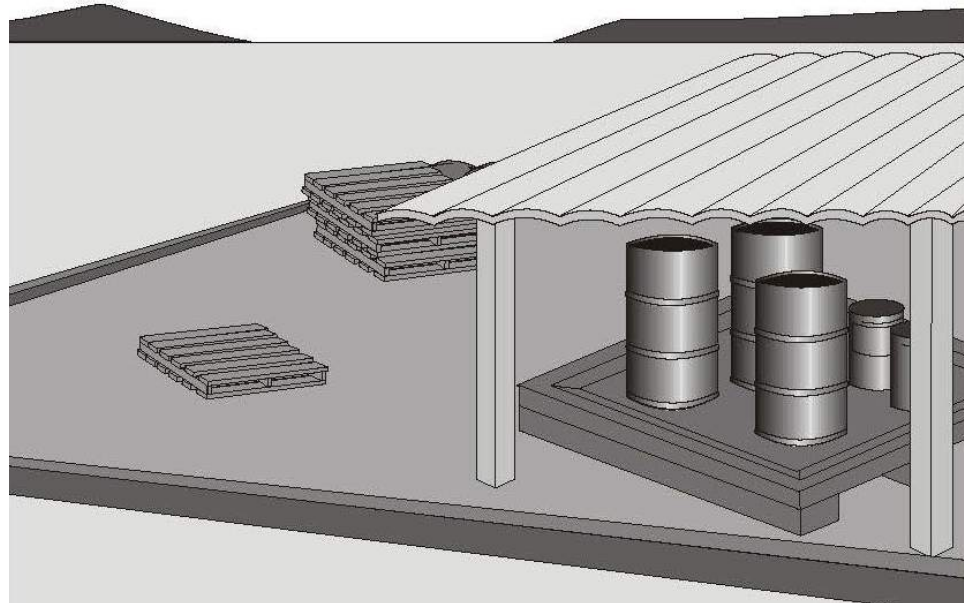
How (cont.)

- For termiticide applications (termite control pesticide) refer to CASQA Fact Sheet WM-2 "Material Use." Note that termiticide can only be applied when it is done in accordance with all applicable federal, state and local labeling requirements and in no case shall it be applied in a manner that would result in either a direct or indirect (e.g., drift) discharge to waters of the US or state.
- Keep an ample supply of spill cleanup material near use areas. Instruct employees in spill cleanup procedures.

Maintenance and Inspection

- Spot-check employees and contractors regularly throughout the job's duration to ensure appropriate practices are being employed.
- Inspect BMPs prior to and after each storm event, daily during extended rain events during the construction and/or clean-up activity (e.g., weekly, or in compliance with the frequency specified in the project specific SWPPP, if applicable).

Pictures



Corresponding CASQA Fact Sheet

Fact Sheet WM-2



- What** Spill Control is a procedural BMP used to control, contain, and clean-up spills on site so that storm water run-on and runoff and non-storm water discharges do not become contaminated.
- When** This BMP applies to all personnel present at construction and operations and maintenance activity sites at all times. Spill control procedures are implemented anytime chemicals (liquid or solid form) and/or hazardous materials and/or wastes are handled, used or stored. A single handling, use, or storage of a hazardous material or waste is sufficient to trigger this requirement. Such substances may include, but are not limited to fuels, lubricants, solvents, fertilizers, pesticides, herbicides, soil binders, coolants, paints, and sewage.
- To the extent that work can be accomplished safely, spills of materials or chemicals shall be contained and cleaned up immediately.
- Where** All construction and operations and maintenance activity sites where chemicals and/or hazardous materials and/or wastes are handled, used, or stored.
- How**
- Install and maintain spill control and cleanup kits in areas where any chemicals and/or hazardous materials and/or waste are handled, used and/or stored.
 - Construction Supervisor, Crew Foreman, or Facility Supervisor and sufficient onsite personnel should be trained in spill control to address potential spills on the site.
 - Only staff trained on spill response procedure should be used to control spill.
 - If the spill is a threat to life or the environment, or other emergency situation where emergency medical support, fire department response, or outside assistance is needed, **immediately** call the **911** Operator and the local emergency response agency (usually the local fire department). Then, promptly call **Service Dispatch (Trouble) @ (619) 725-5100** and your supervisor.
 - For all spills **immediately** notify the activity and site supervisor **and/or** the Field Environmental Representative and describe the spill and current situation. The Field Environmental Representative will make any required regulatory agency notifications per Environmental Standard (ES) G7841 and the Company's Release Reporting Scenario Guidance available on the Environmental Services Department website.
 - If possible, and if you have proper training and personal protective equipment, stop the flow of the spill. If it can be done safely, contain the spill to a confined area. Containment may be able to be accomplished with:
 - Earthen berms
 - Sand bags
 - Absorbent booms
 - Absorbent socksContainment material on site as part of the Spill Kit should reflect site characteristics. For guidance, request assistance from the Field Environmental Representative.
 - To the extent that it doesn't compromise cleanup activities, spills shall be covered and protected from storm water run-on/-off during rain events.



How (cont.)

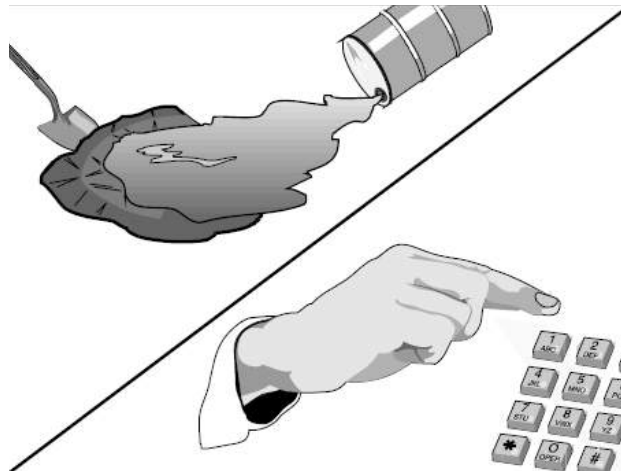
- Immediately clean the impacted area, and properly dispose of any impacted materials.
 - Spills shall not be buried, except as necessary for immediate interim containment purposes. Spilled material and impacted burial material must be removed as soon as possible after proper control and containment and properly disposed of.
 - Use absorbent materials on spills to thoroughly clean up the material to the maximum extent possible. Spills shall not be diluted with water or other liquid for purposes of mitigating the spill (the solution to pollution is not dilution). When it is necessary to use water or other liquid for final cleaning and decontamination of a spill, the water or other liquid shall not be allowed to enter storm drain inlets, drainages, or watercourses, and shall be collected and disposed of properly. Coordinate disposal of these wastes with the Field Environmental Representative.

Used clean up materials, contaminated materials, and recovered spill material shall be stored and disposed of in accordance with federal, state and local regulations and BMP 2-05 "Hazardous Materials/Waste Management."

Maintenance and Inspection

- Perform routine inspections to verify that spill control clean-up materials are located near material storage, unloading, and use areas prior to and after each storm event, daily during extended rain events during the construction and/or clean-up activity (e.g., weekly, or in compliance with the frequency specified in the project specific SWPPP, if applicable).

Pictures



Corresponding CASQA Fact Sheet

Fact Sheet WM-4



What	<p>Solid Waste Management is a procedural BMP used to minimize site non-hazardous solid waste generation, and control the contact of site non-hazardous solid waste with storm water or non-storm water runoff.</p> <p>Examples of potential solid wastes requiring management control BMPs include, but are not limited to:</p> <ul style="list-style-type: none">• Concrete, cement, asphalt rubble, masonry brick/block.• Vegetation debris, general trash, and materials used to transport and package construction materials.• Steel and scrap metals, pipe, electrical cuttings and equipment parts.• Hazardous Materials/Waste Management is covered in BMP 2-05.
When	<p>During all phases of construction or operations and maintenance activities</p>
Where	<p>These BMPs should be used on all construction projects and operations and maintenance activities that generate solid waste.</p>
How	<ul style="list-style-type: none">• Practice good housekeeping and keep site clean.• Use dry methods for site cleanup such as sweeping, vacuuming and hand pick-up.• Designate a waste storage area on site. If a designated waste storage area is not feasible, remove wastes from the site regularly.• Prohibit littering by employees, contractors and visitors.• Trash receptacles with lids or weatherproof covers should be available on site and/or on construction vehicles.• Cover or close lids of all waste containers at the end of each day and prior to rain.• Protect wastes from being washed away by rain, storm water run-on, or other waters (irrigation, water line breaks, etc.).• To prevent storm water run-on from contacting stored solid waste (stockpiled materials) use berms, secondary containment, covered dumpsters/roll-offs or other temporary diversion structure or measures (BMP 1-08 "Stockpile Management").• For materials with the potential for spills or leaks, stockpile the material on impervious surfaces or on plastic groundcovers to prevent spills or leaks infiltrating the ground.• Do not hose out or clean out dumpsters or containers at the construction site.• Prevent solid waste and trash from entering and clogging storm drain inlets.• As practical, incorporate any removed clean sediment and soil back into the project.
Maintenance and Inspection	<ul style="list-style-type: none">• Collect site trash regularly, especially before rainy or windy conditions. Perform routine inspections of site, including storage areas, dumpsters, stockpiles and other areas where trash and debris are collected prior to and after each storm event, daily during extended rain events during the construction and/or clean-up activity (e.g., weekly, or in compliance with the frequency specified in the project specific SWPPP, if applicable). Close trash can lids and dumpster covers at the end of each day and before rainy or windy conditions.

**Corresponding
CASQA
Fact Sheet**

Fact Sheet WM-5



What Hazardous Materials/Waste Management is a procedural BMP for the use, control, containment, and disposal of hazardous materials and waste. This BMP is to be used in conjunction with SDG&E Environmental Standard (ES) G 8724 Hazardous Materials/Waste Management.

Examples of potential hazardous materials and waste requiring management control BMPs may include, but are not limited to:

- Petroleum products such as oil, fuel, grease, cold mix, and tar.
- Glues, adhesives, and solvents.
- Herbicides, pesticides, and fertilizers.
- Paints, stains, and curing compounds.
- Other hazardous or toxic substances.

When Use this BMP during all phases of construction or operations and maintenance activity when the activity involves the storage and use of hazardous materials, or the generation of hazardous waste byproducts.

Where All applicable construction and operations and maintenance activity sites where hazardous materials are used and/or hazardous waste is generated. A single instance of handling, use, or storage of a hazardous material or waste is sufficient to trigger this requirement.

How Hazardous materials and hazardous wastes shall be managed in accordance with the following procedures:

- Only use products or materials onsite that have been approved through the SDG&E Product Approval process.
- Minimize the amount of hazardous materials stored at the site and the production and generation of hazardous waste at the site.
- Cover or containerize and protect from vandalism and exposure any hazardous materials and hazardous wastes.
- Clearly mark all hazardous materials and hazardous waste containers per the ES. Place hazardous waste containers in watertight storage sheds for hazardous waste containers. Alternately, use secondary containment systems, but watertight storage sheds are preferred when hazardous waste containers are stored at the construction site.
- Hazardous materials and hazardous waste containers must meet DOT type and specifications per the ES. The containers must be closed (hand tightened) during activity hours and securely tightened during non-activity hours.
- Stockpiled cold mix should be placed on and covered with plastic.
- Mixing of waste materials is strictly prohibited.
- Storm water that collects within secondary containment structures must be inspected prior to being discharged to ensure no pollutants, oil sheens or non-stormwater discharges are present.
- Spills cannot be discharged to the environment from secondary containment (see BMP 2-03 "Spill Control").



How (cont.)

- All secondary containment systems for hazardous materials or hazardous wastes must be able to hold the volume of the largest container in the storage area and, if uncovered, sufficient additional capacity for storm events. A general rule of thumb for Southern California is that the additional containment volume for an anticipated rain event can be approximated by adding at least an additional four inches (a 4-inch rain) to the height of the containment sized for the entire waste volume of the largest container (Based on the Los Angeles Area 10 year, 24 hour precipitation frequency and a 24-hour manned facility). However, even within Southern California, this varies by the geographic region precipitation frequency and the hours of operation of the facility (containment inspection frequency). Consult with your Field Environmental Representative for determining the minimum volume required for the specific situation and geographical location.



- Hazardous waste must be segregated from other solid waste and stored and disposed of properly according to the ES. **Only company approved vendors with current contracts in place will be used to manage or dispose of hazardous wastes.**
- In addition to following this BMP and ES G8724, employees or contractors are responsible for compliance with federal, state, and local laws and regulations regarding storage, handling, transportation, and disposal of hazardous waste.

Maintenance and Inspection

- Routinely inspect the covers on hazardous material storage areas for tears or flaws and repair as necessary. Drums and drum storage areas are to be inspected at least weekly and the results recorded on an inspection log.
- All secondary containment systems for hazardous materials or hazardous wastes must be able to hold the volume of the largest container in the storage area and, if uncovered, sufficient additional capacity for storm events. A general rule of thumb for Southern California is that the additional containment volume for an anticipated rain event can be approximated by adding at least an additional four inches (a 4-inch rain) to the height of the containment sized for the entire waste volume of the largest container. Check with your Field Environmental Representative in the event you are unsure whether sufficient secondary containment exists for any facility.
- Inspect BMPs prior to and after each storm event, daily during extended rain events during the construction and/or clean-up activity (e.g., weekly, or in compliance with the frequency specified in the project specific SWPPP, if applicable) to ensure that no hazardous materials or waste are improperly left exposed to storm water. Immediately initiate repairs related to a storm event and no later than within 72 hours of identifying the problem or as soon as possible but prior to the next predicted storm event.

Corresponding CASQA Fact Sheet

Fact Sheet WM-6



What	Contaminated Soil Management is a procedural BMP for the control of contaminated soils, or soils suspected of being contaminated, that are encountered during site activities. Importation of fill shall also be managed in accordance with G8755 Import Fill Materials for Large Projects (>100 Cubic Yards), Projects within Coastal Zone, and Environmentally Sensitive Areas.
When	This contaminated soil management BMP should be used whenever soil is imported for fill, soil contamination is suspected, or when contaminated soil is encountered during construction or operation and maintenance “construction like” activities. Construction crews should be vigilant when projects are located in highly urbanized or industrial areas or in highway or roadway right-of-ways.
Where	All construction or “construction like” activity sites, but especially construction and operation and maintenance sites in urbanized or industrial areas where soil contamination may have occurred because of spills, illicit discharges, and leaks from underground storage tanks. Contaminated soils may also be encountered during digging and trenching activities on highway and roadway right-of-ways.
How	<p>Contaminated soil (including soil import that may be contaminated) should be managed in accordance with the following procedures:</p> <ul style="list-style-type: none">• Identify contaminated soil by looking for the following:<ul style="list-style-type: none">○ Soil that is discolored, black, gray, white; or○ Soil that has an unusual odor, such as, petroleum, acid, alkaline, sewage, solvent, or any other chemical smell.• If any potentially contaminated soil is detected, immediately discontinue the activity and contact the project’s Field Environmental Representative.• The CGP requires that the discharger sample and test contaminated soils to ensure proper handling and notify the appropriate local, State and federal agencies, as well as the appropriate Regional Water Board if there is a reportable release event. A reportable release is a discharge or release of oil, hazardous materials or wastes, hazardous substances or chemicals in quantities that may be harmful to the public health. This includes non-stormwater discharges of any kind into the stormwater conveyance system.• Contaminated soils must also be managed properly per SDG&E Environmental Standards (ES). See ES G8729; G8724; and G8755.
Maintenance and Inspection	<ul style="list-style-type: none">• Inspect all imported fill for contamination per Environmental Standard G8755.• Perform routine inspections of digging and trenching operations during construction and operation and maintenance activities looking for contaminated soils in addition to normal BMP inspections prior to and after each storm event, daily during extended rain events during the construction and/or clean-up activity (e.g., weekly, or in compliance with the frequency specified in the project specific SWPPP, if applicable). Immediately initiate repairs related to a storm event no later than within 72 hours of identifying the problem or as soon as possible but prior to the next predicted storm event, per the CGP.• All contaminated soils must be managed properly in accordance with applicable federal, state, and local laws and regulations.

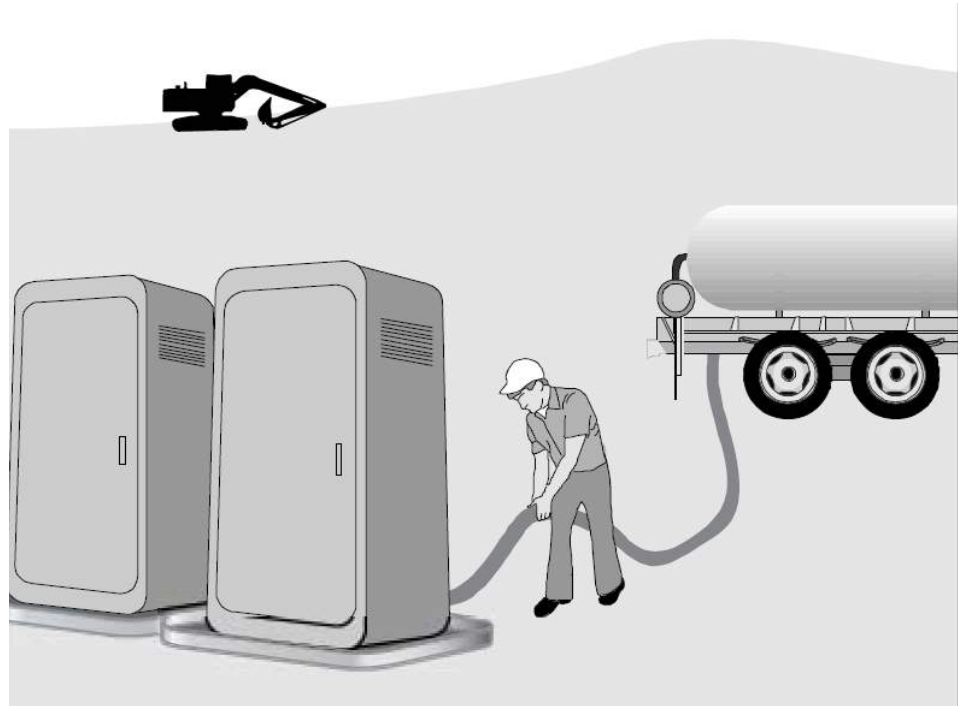
**Corresponding
CASQA
Fact Sheet**

Fact Sheet WM-7



What	Sanitary/Septic Waste Management is a procedural BMP for the control of sanitary/septic wastes. Sanitary/Septic waste is domestic (human) waste.
When	When construction or operation and maintenance site location requires onsite sanitary/septic waste portable toilets, or hand wash/rinse stations, or shower units.
Where	All applicable construction and field operations and maintenance sites.
How	<p>Sanitary/septic wastes shall be managed in accordance with the following procedures:</p> <ul style="list-style-type: none">• Incorporate into regular safety meetings the education of employees, contractors, and suppliers on:<ul style="list-style-type: none">○ Potential dangers to humans and the environment from contact with sanitary/septic wastes due to bacteria, viruses, and parasites.○ Approved sanitary/septic waste storage and disposal procedures.• Use only reputable, licensed sanitary/septic waste facility providers and haulers for sanitary facilities (portable toilets, hand wash stations, shower units) and their transportation to and from the construction site.• Ensure that sanitary facilities are equipped with secondary containment to prevent discharge of pollutants to the storm water drainage system or receiving water.• Sanitary facilities should be located away from drainage systems and watercourses, minimizing the likelihood of leaks or spills contaminating waterways.• Sanitary facilities should be located away from highways and roadways to avoid vehicles colliding with the sanitary units.• When subjected to high winds, risk of high winds, or risk of vandalism, sanitary facilities shall be secured to prevent overturning.• Sanitary wastewater should not be buried or discharged, except to a properly permitted sanitary sewer discharge facility. A permit may be required from the local Sanitation District.• Temporary sanitary facility's holding tanks shall be emptied by a licensed waste hauler prior to transport.
Maintenance and Inspection	<ul style="list-style-type: none">• Perform inspections of sanitary facilities and BMPs routinely prior to and after each storm event, daily during extended rain events during the construction and/or clean-up activity (e.g., weekly, or in compliance with the frequency specified in the project specific SWPPP, if applicable). Initiate repairs related to a storm event within 72 hours of identifying the problem or as soon as possible but prior to the next predicted storm event, per the CGP.• Ensure that sanitary/septic facilities are maintained in good working order and routinely serviced by a licensed service.• When servicing of portable sanitary facilities is conducted, wash/rinse water shall, not be allowed to runoff and shall be collected and disposed of properly in accordance with federal, state, and local requirements.

Pictures



**Corresponding
CASQA
Fact Sheet**

Fact Sheet WM-9



- What** Non-hazardous Liquid Waste/Drilling Fluid Management is a procedural BMP for managing non-hazardous liquid wastes on a construction or operation/maintenance activity site.
- Hazardous liquid wastes, including water with an oily sheen, should be managed using BMP 2-05 "Hazardous Materials/Waste Management."
- Dewatering operations, and concrete slurry residue should be managed according to BMP 3-01, and BMP 3-05, respectively.
- Non-hazardous Liquid wastes include, but are not limited to:
- Drilling slurries/muds and fluids, and waste water and rinse water without an oil sheen (including pressure washing).
 - Dredging spoil, and non-storm water liquid discharges that do not have discharge permits.
- When** Liquid waste management is applicable when construction projects and operations and maintenance activities generate any non-hazardous liquid byproducts, residuals,, or wastes.
- Where** All applicable construction and operations and maintenance sites where non-hazardous liquid waste is present.
- How**
- Vehicle and equipment cleaning using water is discouraged on site. If washing is required for safety or for the work, utilize BMP 3-03 "Vehicle and Equipment Washing."
 - Drilling residue and drilling fluids should be disposed of in accordance with federal, state and local requirements. Coordinate the disposal of these wastes with your Field Environmental Representative.
 - Wastes generated as part of a construction, operation, or maintenance procedure, such as water laden with dredged material and drilling mud should be contained and not allowed to flow into drainage channels, storm drains, or receiving waters.
 - Contain non-hazardous liquid wastes in a controlled area and manner, such as a lined pit, lined roll-off bin with a sealed bottom, or a portable tank.
 - Storage tanks used for collecting and settling non-hazardous water shall be routinely checked for leaks and to ensure they are not overfilled.
 - Piping used to connect storage tanks shall be routinely checked to ensure connections are secure and not leaking.
 - Containment devices must be of sufficient quantity or volume to completely contain the liquid wastes generated and, if uncovered, any additional volume needed for anticipated precipitation. A general rule of thumb for Southern California is that the additional containment volume for an anticipated rain event can be approximated by adding at least an additional four inches (a 4 inch rain) to the height of the containment sized for the entire waste volume. Contained material must be routinely removed and properly disposed of in accordance with federal, state and local requirements.
 - **Do not locate containment areas or devices where accidental release of the contained liquid can threaten health or safety, or discharge to watercourses, storm drain system, or to a water body.**
 - Capture all liquid wastes running off a surface including wash water and rinse water from cleaning walls or pavement, including pressure washing.





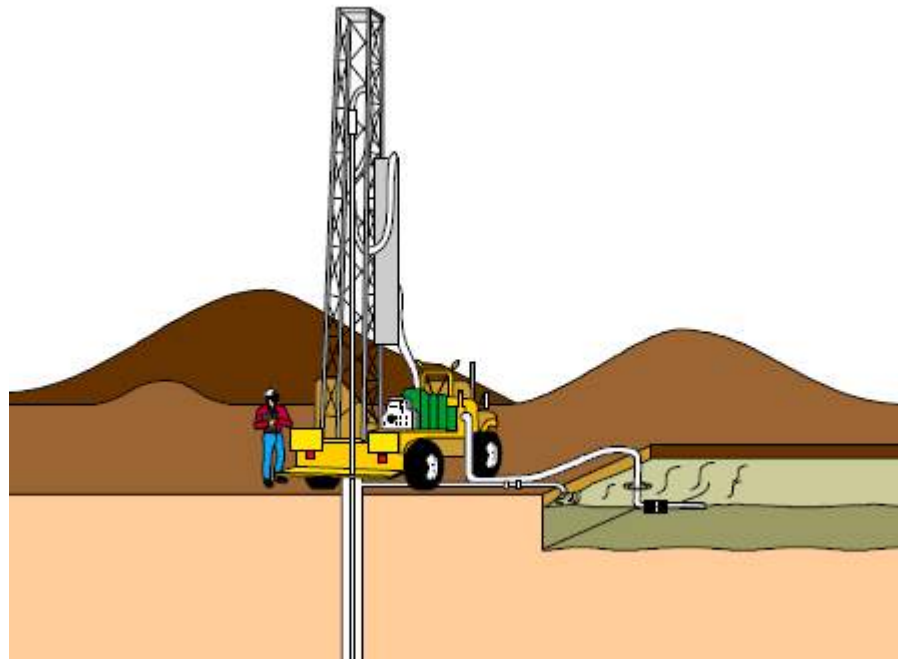
How (cont.)

- If the liquid waste is sediment laden, use a sediment trap (see BMP 1-10) or capture in a containment device and allow sediment to settle.
- Disposal of liquid wastes are subject to specific laws and regulations, or to requirements of other permits secured for the construction project. Contact your Field Environmental Representative for further information.

Maintenance and Inspection

- Remove deposited solids from containment areas and containment systems as needed, and at the completion of the project. Soil, dredged material and drilling mud to be transported offsite for reuse or disposal must first be profiled using chemical analysis. Liquid waste disposal may also need to be profiled prior to transportation and disposal. Contact the Field Environmental Representative as far in advance of the anticipated transportation need as possible.
- Inspect containment systems routinely for damage, and repair as needed.
- BMPs prior to and after each storm event, daily during extended rain events during the construction and/or clean-up activity (e.g., weekly, or in compliance with the frequency specified in the project specific SWPPP, if applicable). Initiate repairs related to a storm event within 72 hours of identifying the problem or as soon as possible but prior to the next predicted storm event, per the CGP.

Pictures



Corresponding CASQA Fact Sheet

Fact Sheet WM-10

BMP DETAILS 3



Section 3 - Non-Storm Water Discharge Controls

What Is Non-Storm Water?

Non-storm water is any water that does not originate as rain or snowmelt, or is rain or snowmelt that has come into contact with pollutants caused by human activities at construction and industrial sites, and commercial and residential sites.

Why Are Non-Storm Water Discharge Controls Required?

Storm water conveyance systems (natural or manmade, wet or dry) are, by regulation, for conveying storm water or exempt or permitted non-storm water discharges only. Storm water conveyance systems eventually discharge to natural water bodies. Non-storm water, which may reach these storm water conveyance systems, may contain pollutants, such as sediment, that are harmful to the natural water bodies. Also, sediment from construction sites can clog storm water systems or reduce the volume of storm water that can be handled by the storm water system.

What Are Non-Storm Water Discharge Controls?

Non-Storm Water Discharge Controls include general site and operations BMP measures that minimize pollution of water. Non-Storm Water Discharge Controls presented in this Manual include the following:

- BMP 3-01 Dewatering Operations
- BMP 3-02 Paving Operations
- BMP 3-03 Vehicle and Equipment Washing
- BMP 3-04 Vehicle and Equipment Fueling
- BMP 3-05 Concrete/Coring/Saw Cutting and Drilling Waste Management
- BMP 3-06 Dewatering Utility Vaults
- BMP 3-08 Over-Water Protection
- BMP 3-09 Paint Removal Control
- BMP 3-10 Stream Crossings
- BMP 3-11 Clear Water Diversion



- What** Dewatering Operations is a procedural BMP for controlling construction or operations and maintenance dewatering to assure regulatory compliance.
- When**
- This BMP is applicable when groundwater from an excavation, trench, or non-storm water from a pipeline hydrostatic test must be removed.
 - When excavation/trench dewatering, also see Environmental Standard (ES) 104.0226.
 - When dewatering hydrostatic test water, also see ES 104.0220.
 - **This BMP is not Applicable to drilling mud or similar products used in drilling foundations (see BMP 2-08 “Non-hazardous Liquid Waste/Drilling Fluid Management”)**
 - **This BMP is not applicable to utility vault or sub-structure dewatering. For these applications, refer to the BMP 3-06 “Dewatering Utility Substructures and Vaults.”**
 - **This BMP is not applicable when the water is known, or suspected to be, contaminated. Under these conditions, contact your Field Environmental Representative.**
 - **Water from dewatering operations cannot be discharged to the sanitary sewer, storm drain systems, drainages, creek beds (even if dry), or to water bodies without a permit. This prohibition includes groundwater dewatering to these conveyance systems or water bodies (groundwater may contain pollutants not easily detected except by analytical laboratory tests).**
 - **Groundwater from excavation or trench dewatering or hydrostatic test water cannot be discharged to land without a permit or permit waiver. Groundwater and hydrostatic test water may contain pollutants not easily detected except by analytical laboratory tests.**
 - Non-contaminated discharges of water from hydrostatic tests of new pipe utilizing potable water as a water source, reused for soil compaction and dust control, or reused for agricultural irrigation may be allowed to be discharged to land without a permit or under a permit waiver, depending on the local and regional regulatory requirements. Consult with your project Field Environmental Representative for permitting applicability prior to planning a discharge.
- Where** All construction sites and operations and maintenance activity sites that require excavation or trench dewatering, or pipe hydrostatic test discharges.
- How** Water generated by dewatering activities should be managed in accordance with the following procedures:
- If allowed by regulations, permit, or the regulating agencies, use the water for construction activities such as onsite soil compaction and dust control. If used for these applications, ensure that the water does not run-off to storm drain systems, drainages, creek beds (even if dry), or to water bodies.
 - The water may contain uncontaminated sediments, but the water must not be contaminated with other pollutants.
- Note:** Discharge to land for site compaction, dust control or for infiltration (to groundwater) may require a permit or permit waiver to discharge from the Regional Water Quality Control Board (RWQCBs) and/or local jurisdictions (such as Flood Control District). Consult with your Field Environmental Representative.



How (cont.)

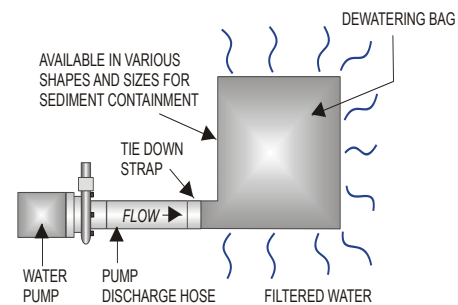
- If allowed by regulations, permit, or the regulating agencies, water from dewatering, that contains only uncontaminated sediment, may be discharged to one of the following:
 - To land for infiltration (also see soil compaction and dust control above). In some locations, a permit may be required from the RWQCB and/or a local jurisdiction (such as a Flood Control District). Consult with your Field Environmental Representative. The permit may allow sediment without settling or filtration. The permit may specify limits on other pollutants, requiring sampling and analysis, and submittal of analysis results prior to discharge approval. If allowed by regulations, permit, or the regulating agencies, infiltrate to an appropriate landscaped, vegetated, or soil area. If used for these applications, ensure that the water will infiltrate and not run-off to storm drain systems, drainages, creek beds (even if dry), or to water bodies. Land owner permission to discharge to land for infiltration is required.
 - To the Sanitation or Wastewater District Sanitary/Industrial Sewer - Requires a permit or approval of the above wastewater authority. District may require sampling and analysis and a Batch Discharge application (application for a short-term discharge of a stated volume) prior to approval. District may set a numeric limit on the amount of acceptable sediment discharged. District may require a fee, dependent on discharge volume and pollutant load.
 - To Surface Water (including storm drains) - A RWQCB discharge permit is required and a local jurisdiction permit (such as a Flood Control District permit) may be required. Consult with your Field Environmental Representative. The permit may specify limits on sediment and other pollutants, require sampling and analysis, and the submittal of analysis results prior to discharge approval. These permits take advanced planning.
 - A surface water (including storm drains) discharge permit may have a numerical limit on the concentration of Total Suspended Solids (sediment) that can be discharged and a restriction limiting an increase in turbidity of the receiving water. Other pollutants, such as Oil and Grease (O&G) and Total Petroleum Hydrocarbons (TPH) may also have stringent numerical limits. As a minimum, contaminant-free temporary storage (Baker tanks) may need to be provided until permit coverage is obtained and sampling and analysis can be completed. A properly sized sediment clarifier and petroleum hydrocarbon treatment may be required. The cost of this potential treatment for discharge to surface waters should be compared to the treatment cost of discharging to the sanitary sewer (if logistically feasible) before deciding on this discharge option.
- Transport for Disposal in a Vacuum Truck for Proper Disposal. This option is usually the most expensive option and only utilized when the discharge options above cannot be permitted or is otherwise infeasible.
- If a permit is obtained for discharge to a storm water or sanitary sewer system, conduct all dewatering discharge activities in accordance with permit requirements, including installation of appropriate BMPs.
- Dewatering records should be maintained in accordance with permit requirements.



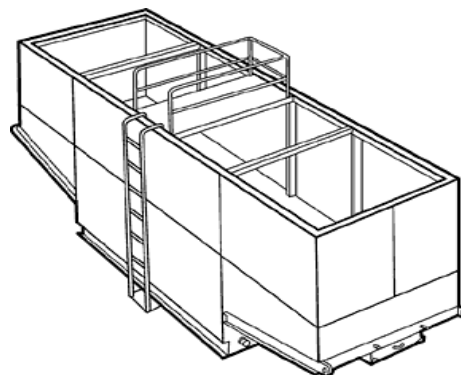
Maintenance and Inspection

- Inspect pumps, hoses and all equipment before use to ensure they are in proper operating condition and free of contamination. Monitor dewatering operations to ensure it does not cause offsite discharge or erosion.
- Monitor the discharge for any change in characteristics (amount of sediment, oil sheen, color, etc.) that is not permitted. Stop the discharge immediately if there is a visual indication that the permit conditions are being exceeded.
- BMPs prior to and after each storm event, daily during extended rain events during the construction and/or clean-up activity (e.g., weekly, or in compliance with the frequency specified in the project specific SWPPP, if applicable). Initiate repairs related to a storm event within 72 hours of identifying the problem or as soon as possible but prior to the next predicted storm event, per the CGP.
- Sample dewatering discharges in accordance with permit requirements, if applicable.
- These operations and equipment should be made secure.

Pictures



Gravity Bag Filter



Weir Tank

Corresponding CASQA Fact Sheet

Fact Sheet NS-2



What Paving Operations is a procedural BMP for controlling non-storm water discharges associated with pavement surfacing or resurfacing, patching, or pavement removal.

Paving Operations activities may typically utilize the following materials:

- Cold mix,
- Asphalt,
- Chip Seal, Seal Coat, Tack Coat, Slurry Seal, Fog Seal, and
- Portland Cement Concrete.

For pavement grinding, saw cutting, coring or drilling, refer to BMP 3-05 "Concrete/Coring/Saw cutting and Drilling Waste Management."

When Use this BMP whenever paving operations are being conducted.

Where All construction or operations and maintenance work sites that have paving activities.

How Use the following methods as applicable:

- Protect storm drain inlets near work and down gradient of the area to be paved (see BMP 1-06 "Storm Drain Inlet Protection").
- If onsite mixing is planned, an area must be designated for conducting the mixing. This area should already be paved or made impervious (e.g., plastic or wood sheeting) and be located away from storm drain inlets, drainages, or watercourses.
- Minimize overspray of tackifying emulsions or placement of other paving materials beyond the limits of the area to be paved. Schedule the application of tackifying agents according to manufacturer's instructions regarding rain events.
- Use dry methods to clean equipment and conduct cleaning in accordance with BMP 3-03 "Vehicle and Equipment Washing."
- Material use and stockpiles are to be managed in accordance with BMP 2-02 "Material Use" and BMP 1-08, "Stockpile Management."
- Collect and remove all broken asphalt and concrete, recycle when feasible, and dispose of materials in accordance with local, state, and federal requirements.

IMPORTANT POINT



- **Do not apply asphalt, concrete paving, seal coat, tack coat, slurry seal or fog seal if rain is expected during the application or curing period.**
- **Avoid if possible, the transferring, loading, or unloading of paving materials near storm drain inlets, drainages, or watercourses. If not possible, use BMP 1-06 "Storm Drain Inlet Protection."**
- **CGP Risk Level 2 & 3 projects, that construct concrete structures onsite or store concrete mixing materials onsite, are subject to pH Numeric Action Levels (Risk 2) or pH Numeric Effluent Limits (Risk 3) for those drainage areas of the project where the concrete construction or storage of concrete mixing or waste materials take place.**
- **CGP Type 2 & 3 projects are subject to pH Numeric Action Levels (Type 2) or pH Numeric Effluent Limits (Type 3) for active areas.**
- Inspect and maintain equipment and machinery routinely to minimize leaks.

Maintenance and Inspection

NON-STORM WATER DISCHARGE CONTROLS

Paving Operations

BMP 3-02



Maintenance and Inspection (cont.)

- Inlet protection BMPs prior to and after each storm event, daily during extended rain events during the construction and/or clean-up activity (e.g., weekly, or in compliance with the frequency specified in the project specific SWPPP, if applicable). Initiate repairs related to a storm event within 72 hours of identifying the problem or as soon as possible but prior to the next predicted storm event, per the CGP.

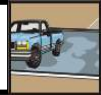
Corresponding CASQA Fact Sheet

Fact Sheet NS-3

NON-STORM WATER DISCHARGE CONTROLS

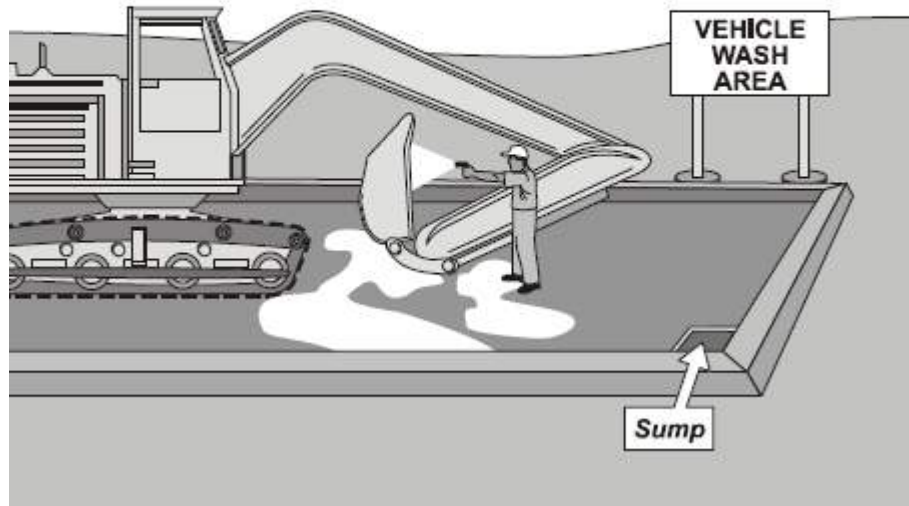
Vehicle and Equipment Washing

BMP 3-03



What	Vehicle and Equipment Washing is a procedural BMP for controlling vehicle and equipment washing on construction or operation and maintenance activity sites.
When	Onsite washing of vehicles and equipment on sites shall only be conducted when prior authorization has been received from the field Environmental Representative. Use this BMP on all sites when vehicle and equipment cleaning is being performed. Note that construction site vehicle and equipment washing is not typically performed on utility type construction sites unless required by safety considerations, or is necessary for work completion.
Where	Applicable to all construction and operation and maintenance sites where equipment or vehicles are washed.
How	Use the following methods as applicable: <ul style="list-style-type: none">• Use dry cleaning methods such as wiping down, rather than water washing vehicles or equipment.• If onsite vehicle washing is authorized by the Field Environmental Representative, use the following general methods:<ul style="list-style-type: none">○ Vehicle and equipment washing must be located away from storm drain inlets, drainage systems, or watercourses.○ Place secured impermeable liners, sand bags or another type of berm around storm drain inlets and drainage systems to prevent wash water from entering a storm inlet, drainage system or watercourse. Secured, impermeable liners are preferable to sand bags. Sand bags are preferable to gravel bags. Sand bags are preferable to gravel bags because they are less porous, and are much better at preventing water and pollutants from passing through the barrier.○ Never discharge wash water to the storm drain system, drainages, watercourses, or water bodies.○ Use as little water as possible. High-pressure sprayers may use less water than a hose.○ Use a positive shutoff valve to minimize water usage.○ Collect all wash and rinse water for proper disposal.
Maintenance and Inspection	Monitor employees and contractors through the duration of the construction project to ensure appropriate practices are being implemented.

Pictures



**Corresponding
CASQA
Fact Sheet**

Fact Sheet NS-8

NON-STORM WATER DISCHARGE CONTROLS

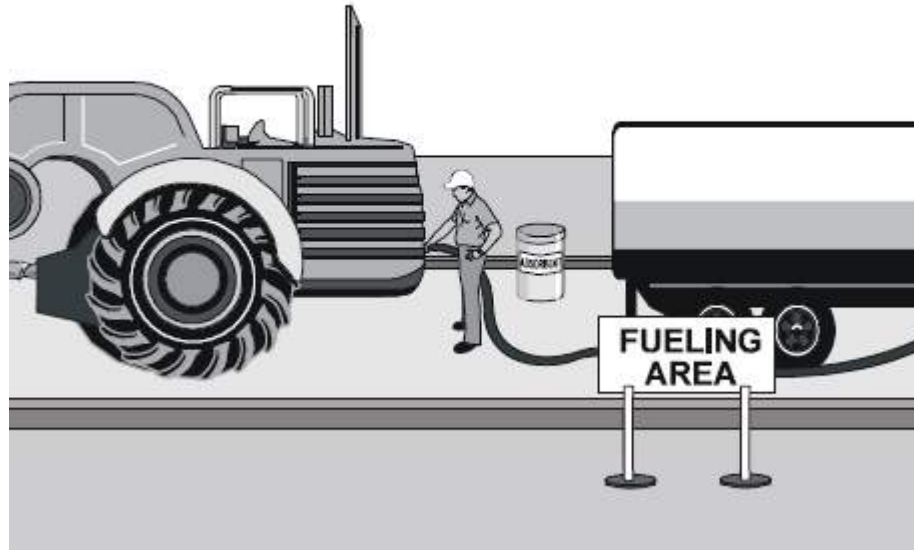
Vehicle and Equipment Fueling

BMP 3-04



What	Vehicle and Equipment Fueling is a procedural BMP for controlling vehicle and equipment fueling at construction and operation and maintenance activity sites.
When	<p>Use this BMP for construction and operation and maintenance activity sites when onsite fueling of vehicles and equipment, including handheld equipment, is planned or conducted.</p> <p>Vehicle and equipment fueling, except for handheld equipment, is typically not done on a construction site. Onsite fueling of vehicles and equipment may be planned if it is impractical to send vehicles and equipment off site for fueling.</p> <p>Handheld equipment is treated separately from other equipment. Handheld equipment includes those smaller, manually operated pieces of equipment such as trenchers, mowers, chainsaws, generators, and other equipment that need fueling during regular daily operation.</p>
Where	All construction and operation and maintenance activity sites where vehicle and equipment fueling occurs.
How	<ul style="list-style-type: none">• If practical, fuel vehicles and equipment off site.• Mobile fueling equipment is the preferred equipment used for construction site fueling.• Fuel storage and fueling areas should be located away from storm drain inlets, drainage systems, watercourses, and water bodies.• All fueling will be conducted with the fueling operator in attendance at all times regardless if fuel nozzles are equipped with automatic shutoff features.• Fuel tanks should not be “topped off.”• All fueling operators should have readily available spill containment and cleanup equipment and materials.• Clean up spills immediately and properly dispose of contaminated materials.• Properly store and dispose of rags and absorbent material used to clean up spilled fuel.• Mobile fueling trucks and operators must have all necessary permits, licenses and training.
Maintenance and Inspection	<ul style="list-style-type: none">• Check to ensure that there is an adequate supply of spill cleanup materials available.• Perform routine inspections of designated fueling areas and inspect vehicles and equipment for leaks.• Report all spills immediately to the project Supervisor <i>and/or</i> the Field Environmental Representative.

Pictures



**Corresponding
CASQA
Fact Sheet**

Fact Sheet NS-9

NON-STORM WATER DISCHARGE CONTROLS

Concrete/Coring/Saw Cutting and Drilling Waste Management

BMP 3-05



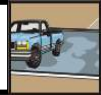
- What** Concrete/Coring/Saw Cutting and Drilling Waste Controls are procedural BMPs for the proper management of liquid and solid wastes from concrete/coring/saw cutting and drilling activities.
- For managing any concrete curing compounds, also use BMP 2-05 "Hazardous Materials/Hazardous Waste Management." For managing paving operations, use BMP 3-02.
- When** Use this BMP at construction and operation and maintenance activity sites when the activity utilizes concrete and asphalt or when slurry or pavement/concrete wastes are generated by the activities, including:
- Saw cutting.
 - Coring/drilling.
 - Grinding, re-paving or patching.
 - Encasing conduit in concrete.
 - Tower footings.
- Where** All construction and operation and maintenance activity sites where the above activities are conducted.
- How**
- Install storm drain protection at any down-gradient inlets that may be impacted by the activity per BMP 1-06 "Storm Drain Inlet Protection."
 - Minimize the amount of water used during coring/drilling or saw cutting. During wet coring or saw cutting, use a wet vacuum to lift the slurry from the pavement as the coring or saw cutting progresses. Additionally, sand bag barriers or other containment should be used at nearby down gradient storm drain or drainage inlets per BMP 1-06 "Storm Drain Inlet Protection."
 - If concrete residue remains after drying, the area should be swept in a timely manner and residue removed to avoid contact with storm water or entering a storm drain or water body via the wind. If concrete residue still remains, pressure wash the surface, with in-progress vacuum recovery of wash water to remove residual material.
 - **Do not wash residue or particulate matter into a storm drain or drainage inlet or a watercourse or water body.**
 - The following options should be used for concrete truck chute and/or pump and hose washout:
 - If available, arrange to use an existing concrete washout station. Upon entering the site, concrete truck drivers should be instructed about proper site practices.
 - **Concrete Washouts:** Washout stations can be: self contained concrete trucks; commercial portable washout stations (rent-a-washout); plastic lined temporary pits, or a bermed and lined area designed with sufficient volume to completely contain all liquid and waste concrete materials plus enough capacity for rainwater. The lining must be impervious (such as Visqueen with no holes or tears). The designated area must be located away from storm drain inlets, drainages, watercourses, or water bodies.
 - **Washout in Trench:** Manually rinse the concrete truck chute into the lined trench itself. Note that this practice is not allowed on CGP projects, where minimum BMPs in the permit require containment of concrete washout areas and prohibits discharge into the underlying soil or surrounding areas. Check with the Field Environmental Representative regarding site-specific applicability.



NON-STORM WATER DISCHARGE CONTROLS

Concrete/Coring/Saw Cutting and Drilling Waste Management

BMP 3-05



How
(cont.)

IMPORTANT
POINT



- **Bucket Washout:** Manually rinse the chute into a wheelbarrow, plastic bucket or pail, and then empty the bucket into the concrete truck barrel or on top of the placed concrete within a trench or excavation. Prevent or protect against spillage, and clean up any spillage promptly.

- **CGP Risk Level/Type 2 & 3 projects, that construct concrete structures onsite or store concrete mixing materials onsite, are subject to pH Numeric Action Levels (Risk/Type 2) or pH Numeric Effluent Limits (Risk/Type 3) for those drainage areas of the project where the concrete construction or storage of concrete mixing or waste materials take place.**

**Maintenance
and
Inspection**

- Responsible personnel should ensure that all drivers of concrete trucks arriving onsite are instructed about proper project practices.
- Clean out designated washout areas as needed or at a minimum when the washout is 75 percent full to maintain sufficient capacity throughout the project duration. Add additional designated areas as necessary and available to maintain capacity.
- Any designated onsite washout areas must be cleaned out and all debris removed upon project completion. Dispose of concrete waste according to BMP 2-04 "Solid Waste Management."
- Inspect routinely, when washout activities are underway to ensure the integrity of the concrete washout lining and that the concrete washout does not overflow.

**Corresponding
CASQA
Fact Sheet**

Fact Sheet WM-10

NON-STORM WATER DISCHARGE CONTROLS

Dewatering Utility Vaults

BMP 3-06



- What** Dewatering Utility Vaults is a procedural BMP for controlling water from dewatering utility vaults and underground structures. This BMP does not apply to trench, excavation or other general dewatering associated with construction activities, which is covered by BMP 3-01.
- When** This BMP is applicable whenever water must be removed from SDG&E utility vaults and underground structures.
- Where** All SDG&E utility vault locations.
- How** The discharge of clean water from dewatering of vaults and underground structures to the storm drain, drainages, or water bodies is allowed under the statewide General NPDES Permit for Discharges from Utility Vaults and Underground Structures to Surface Waters (Order No. 2006-0008-DWQ and NPDES No, CAG990002).
- Discharges to land (e.g., vegetation, bare soil area) are not covered by this permit. A Waste Discharge Requirements (WDR) permit or waiver may be required by the local Regional Water Quality Control Board (RWQCB) for discharges to land. If a RWQCB does not have a general WDR or waiver for discharges to land, then the State Water Resources Control Board (SWRCB) General Permit for dewatering to land may apply. Consult with your Field Environmental Representative. Discharges to land also require the prior approval from the landowner.
- General requirements for discharge under Order 2006-0008-DWQ/Permit Number CAG990002) are listed below:
- All vault dewatering discharges conducted by utility crews, including contractors, shall follow the latest version of SDG&E's Environmental Standards (ES) on Vault and Underground Structure Dewatering. For dewatering utility gas/electric vaults & underground structures follow ES <http://techdocs.sempira.com/doclib.nsf/docframe?openform&docno=G8718>.
 - Prior to discharge, the water in the vault shall be assessed in accordance with the requirements in the ES.
 - A SDG&E-approved filter system with hydrocarbon removal capability is required to be used on the pump discharge for compliance assurance when dewatering to a surface water (drainage, gutter, storm drain inlet, or a water body).
 - **If the water to be discharged is Clear Water as described in the ES, then the discharge to storm drains, drainages, or water bodies is acceptable as long as the discharge does not cause nuisance or harm to the environment.**
 - Water discharged to the street, gutter, drainages, watercourses, or water bodies must be clean and clear, with no evidence of oil sheen and no chemical or sewage smell.
 - The dewatering discharge must be monitored at all times during the discharge to ensure the discharge is "clean and clear" with no chemical or sewage odor. If the characteristics of the discharge change (i.e., color, smell, sheen), the discharge must be stopped immediately. In such an event call the Field Environmental Representative.
 - Whenever possible, discharge the clean, clear water directly to the storm drain, drainage, or water body to avoid pre-existing pollutants in the discharge path. Pre-existing soil or contaminants in the path of the discharge (i.e., gutter) that can discolor/contaminate the discharge need to be cleaned up before discharging vault water.



NON-STORM WATER DISCHARGE CONTROLS

Dewatering Utility Vaults

BMP 3-06



**IMPORTANT
POINT** 

**How
(cont.)**

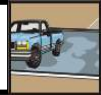
- The discharge from the filter system must be clean and clear at all times, and if not, the discharge must be stopped.
- As a last resort, when the water, because of sediment or pollutant contamination, cannot be discharged to the environment, contact the project Field Environmental Representative for transport of the water in an approved manner (see the linked SDG&E ES from the previous page).

**Maintenance
and
Inspection**

- Implement applicable provisions of the ES.
- Inspect pumps, hoses, filter system and equipment before use and routinely when applicable activities are underway.
- Observe dewatering activities to ensure they do not cause erosion or discharge of potential pollutants.

**Corresponding
CASQA
Fact Sheet**

Not applicable. See also Fact Sheet NS-2, Dewatering Operations



What	<p>Over-Water Protection is a procedural and containment system BMP for protecting watercourses from overhead construction and maintenance and repair activities.</p> <ul style="list-style-type: none">• Over-water construction and maintenance activities include, but are not limited to, chipping, grinding, scraping, welding/burning, painting, wrapping and coating of pipes and conduits.• Watercourses (dry or wet) include drainages, creeks, streams, rivers, lakes and wetlands, bays, estuaries and oceans.
When	<p>This BMP applies to projects when:</p> <ul style="list-style-type: none">• Construction, maintenance or repair activities will be conducted above watercourses (dry or wet). <p>Prior to conducting over-water activities, check with the Field Environmental Representative for the possible need for permits with the appropriate local and state agencies. As an example, the design or installation of a containment system may itself impact the watercourse and require a permit, or the timing of the activity may impact wildlife breeding seasons, requiring a permit or preventing the activity during certain portions of the year.</p>
Where	<p>All construction or operation and maintenance activity above any portion of a watercourse.</p>
How	<p>Use the following measures as applicable:</p> <ul style="list-style-type: none">• Containment systems must be properly designed and installed prior to the beginning of any operation that may impact a water body to prevent discharge of pollutants to surface waters, taking into account the construction or maintenance activity and factors such as wind, rain, etc.• The work area should be kept clean of all trash and potential pollutants.• Containment booms should be placed around the area of work as necessary to contain the discharge of potential contaminants such as oil and hydraulic fluid.• Special attention should be given to existing and forecasted wind and weather conditions to prevent pollutant discharges to surface waters.• Shrouds of appropriate material should be used to prevent paint overspray, welding slag, and other pollutants from entering surface waters. Shrouding may not be effective during periods of high wind.• Shrouds should be large enough to adequately enclose or segregate the working area from surface waters. This may include a plywood barrier, Visqueen, and scaffolding to help prevent fugitive material from entering surface waters.• Support structures such as scaffolding shall be used in conjunction with shrouding to withstand potential wind stress.• Contaminated shrouding material and equipment shall be thoroughly cleaned or disposed of properly.
Maintenance and Inspection	<ul style="list-style-type: none">• Inspect the containment systems, shrouds, and support structures prior to and after each storm event, daily during extended rain events during the construction and/or clean-up activity (e.g., weekly, or in compliance with the frequency specified in the project specific SWPPP, if applicable) to ensure their integrity and safety. Initiate repairs related to a storm event within 72 hours of identifying the problem or as soon as possible but prior to the next predicted storm event.

Pictures



**Corresponding
CASQA
Fact Sheet**

Fact Sheet NS-14

NON-STORM WATER DISCHARGE CONTROLS

Paint Removal Control

BMP 3-08



What	Paint Removal Control is a procedural BMP for protecting storm water and water courses from mark-out paint or graffiti paint removal activities.
When	Use this BMP when utility activities have used mark-out paint on surfaces and the paint is required to be removed by local jurisdictions or another authority, or when graffiti on company property is discovered and must be removed.
Where	Mark-out paint is usually used on road, sidewalk, and land surfaces to show the location of underground utility services. Graffiti on company property may have been painted on company fences or walls, buildings, walkways, curbs or other surface.
How	<p>Use the following options to remove mark-out paint or graffiti:</p> <ul style="list-style-type: none">• Use non-toxic, light degradable mark-out paint when possible.• Avoid the use of chemical paint removers whenever possible. When chemical paint removers are required, only use products that have been approved through the product review process and utilize containment and wet vacuuming of material during the removal process.• Hydro pressure wash.• Dry abrasive blast/grinding.• Wet abrasive blast/grinding. <p>Use one or more of the following methods to promptly and effectively contain and remove paint and residues in order to protect storm water sewers, drainages and watercourses:</p> <ul style="list-style-type: none">• Dry sweep.• Install storm drain inlet protection at down gradient inlets during hydro pressure washing, wet abrasive blasting, grinding, and chemical removal. Discharge of any wet or dry residuals or wash water to the drainage system is prohibited.• Minimize the amount of water used during hydro pressure washing.• Wet or dry vacuum.• Use wet vacuum to lift the paint slurry from the pavement or surface as hydro pressure washing progresses or as soon as possible, and before the material has a chance to migrate from the work area.• If wet vacuuming is not adequate to capture all wastewater from these activities, use additional containment (sand bags, booms, or other containment devices) methods as near the work area as possible to prevent the discharge to a street, gutter, storm drain/drainage inlet, or watercourse.• If paint residue remains after drying, the area should be swept up and residue removed in a timely manner to avoid contact with storm water.• If paint residue remains after sweeping, the area can be water washed, as long as the water containing the paint residue is contained near the work and wet vacuumed and not allowed to enter storm drain inlets or watercourses.• All waste should be disposed of using the BMP 2-08 "Non-Hazardous Liquid Waste Management."
Maintenance and Inspection	<ul style="list-style-type: none">• Inspect all containment systems to ensure proper placement prior to starting utility paint removal operations.• Inspect equipment frequently and adjust as necessary to maximize efficiency and minimize water or other material use of the paint removal

NON-STORM WATER DISCHARGE CONTROLS

Paint Removal Control

BMP 3-08



operations.

**Corresponding
CASQA
Fact Sheet**

NA



What

A stream crossing is a culvert, ford, or bridge placed across a waterway to provide access for construction or operations and maintenance activities. Utility stream crossings are not intended to maintain public traffic and project-specific permits may be required for use (see "Limitations"). The crossing design and construction allows safe access and reduces erosion and downstream sediment from vehicles.

The project Field Environmental Representative should be consulted for any permit requirements and for the stream crossing location.

The following types of stream crossing should be considered:

- **Culverts:** Appropriate to control erosion, but may cause erosion during installation/removal without appropriate BMP measures. Easily constructed and allows for heavy equipment loads.
- **Fords:** A ford is a streambed crossing alternative that involves crossing a waterbody at grade, on a hard surface maintained at the streambed bottom. Appropriate during dry weather and in arid areas in dry washes, ephemeral streams, and low-flow perennial streams. Ford crossings generally involve the placement of gravel or other non-erodible material to facilitate crossing and are appropriate for streams that would benefit from additional clean native or compatible gravel; for example, salmonid streams or rivers below reservoirs, and urban, channelized streams. Fords provide minimum sediment and erosion control in a stream channel and are most appropriate when the potential for stream channel erosion and dislodgement of sediment due to the addition of the material and traffic is low. A ford is the least expensive stream crossing, allows for maximum load limits, and offers very low maintenance. Fords may degrade water quality due to vehicle and equipment contact. Direct placement of gravel may be appropriate for short-term use. In addition, soil-confinement systems can also be used in low-flow intermittent stream crossings for ease with implantation and removal. Examples include:
 - Cellular Confinement Systems (CCS) crossings consist of three-dimensional cellular-type material placed on the streambed bottom and filled with rock or soil. CCSs are an effective option when used in conjunction with ford crossings because it is sufficient to support most construction equipment and is readily removable.
 - Articulated concrete mats (e.g., concrete blocks held together by steel cable or interlocking concrete blocks) can also be used for fording a stream. Articulated concrete mats can be used to harden the streambed for crossing. Gravel should be placed on the mats to fill in the voids between concrete blocks.
 - Gabion mattresses consisting of rock contained in rectangular, wire-mesh can also be used for constructing a hard driving surface. Gabion mattresses are strong and durable, flexible structures, and are easily constructed.
- **Bridges:** Appropriate for streams with high flow velocities, steep gradients, and where temporary restrictions in the channel are not allowed. Bridges are more expensive to design and construct, but provide the least streambed disturbance and waterway flow constriction.

What



(cont.)



Limitations:

- Installation may cause a waterway constriction, which can obstruct flood flow and cause flow backups, washouts, and/or scouring.
- **Installation may require RWQCB 401 Certification, USACOE 404 permit and approval by the California Department of Fish and Game. If numerical water quality standards are mentioned in any permits, sampling and testing may be required.**
- Installation and removal will usually disturb the waterway, and may require dewatering or temporary stream diversion.
- Soil confinement systems used for stream crossings must be constructed in accordance with the manufacturer's specifications, and inspected and maintained for structural integrity.
- Gravel use in the stream for soil-confinement system crossings will require agency approval.
- Requires other BMPs to minimize soil disturbance during installation and removal.

When

Stream crossings are installed at sites when:

- Appropriate permits have been secured for activities and for the stream crossing.
- Construction or operation and maintenance equipment or vehicles need to frequently cross a waterway.
- Alternate access routes impose significant constraints.
- Crossing perennial streams or waterways without a stream crossing causes significant erosion.

Where

Stream crossings should be installed at all designated crossings of perennial and intermittent streams and in dry channels that may be significantly eroded by construction or operation and maintenance traffic at locations where:

- Erosion potential from the installation is low.
- Site runoff is not directed towards the crossing in a manner that promotes erosion of the crossing.

How



Minimum standards and specifications for the design, construction, maintenance, and removal of the structure should be established by a California Registered Civil Engineer, and for bridges, a California Registered Structural Engineer. The design flow and stability safety factor should be based on risk evaluation of overtopping, flow backups, or washout.

Construction and Use:

- Install sediment traps immediately downstream of the crossings to capture sediment. Sediment traps may also be required to be part of the crossing permit. For CCS ford crossings, the gravel depth should be 6 to 12-inches to support construction vehicular traffic. Clean, washed, angular or rounded gravel should be used with cellular-block confinement systems.



How (cont.)

- Avoid oil or other potentially hazardous materials for surface treatment.
- Stabilize construction roadways, work area, and streambed bottom against erosion. Stream bed and bank stabilization, if necessary, may also be required to be part of the crossing permit.
- Construct during dry periods to minimize stream disturbance and reduce costs.
- Construct at or near the streambed elevation to prevent potential upstream flooding.
- Install erosion control BMPs to minimize erosion of embankment into flow lines.
- Any artificial obstruction placed within flowing water should only be built from material that will not introduce sediment or silt into the watercourse.
- Vehicles and equipment should not be driven, operated, fueled, cleaned, maintained, or stored in the wet or dry portions of a water body. Wetland vegetation, riparian vegetation, or aquatic organisms could be destroyed.
- The exterior of vehicles and equipment that will encroach on the water body should be maintained free of grease, oil, fuel, and residues.
- Drip pans should be placed under all vehicles and equipment placed over water bodies (e.g., bridges) when the equipment is planned to be idle for more than one hour.
- Disturbance or removal of vegetation should not exceed the minimum necessary to complete operations. Disturbed vegetation should be replaced with the appropriate soil stabilization measures.
- Riparian vegetation, when removed pursuant to the work provisions, should be cut off no lower than the ground level to promote rapid re-growth. Access roads and work areas built over riparian vegetation should be covered by a sufficient layer of clean river run cobble to prevent damage to the underlying soil and root structure. The cobble must be removed upon completion of project activities.

Maintenance and Inspection

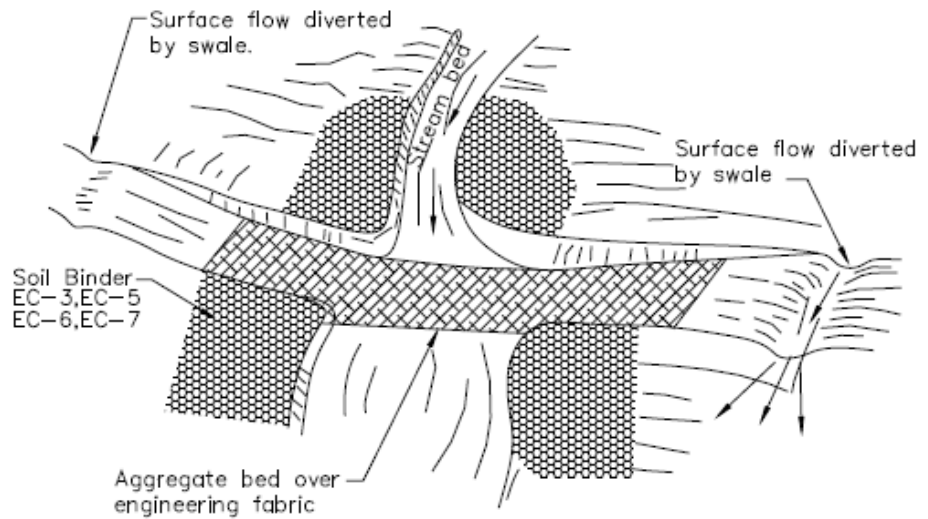
- Inspect and verify that activity-based BMPs are in place prior to the commencement of associated activities. While activities associated with the BMP are under way, inspect prior to and after each storm event, daily during extended rain events during the construction and/or clean-up activity (e.g., weekly, or in compliance with the frequency specified in the project specific SWPPP, if applicable). Initiate repairs related to a storm event within 72 hours of identifying the problem or as soon as possible but prior to the next predicted storm event, per the CGP.
- Check for blockage in the channel, sediment buildup or trapped debris in culverts, blockage behind fords or under bridges.
- Check for erosion of abutments, channel scour, riprap displacement, or other signs of erosion.



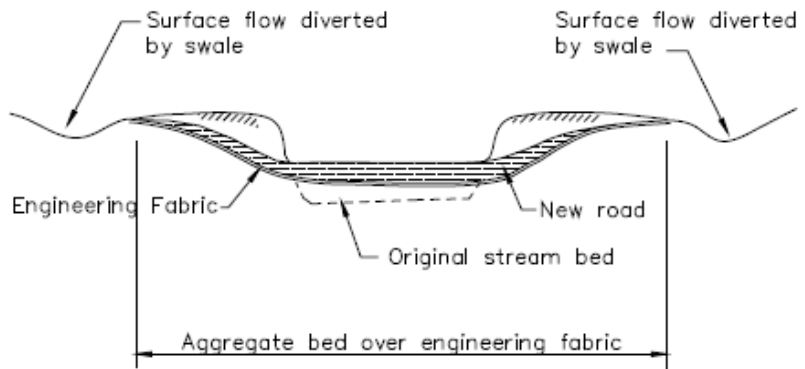
Maintenance and Inspection (cont.)

- Check for structural weakening of the crossings, such as cracks, and undermining of foundations and abutments.
- Remove sediment that collects behind fords, in culverts, and soil confinement systems. Removal of undesirable sediment may be required to be part of the crossing permit.
- Replace lost or displaced support aggregate from inlets and outlets of culverts and soil confinement systems.
- With proper BMPs, remove temporary stream crossings promptly when it is no longer needed.

Pictures



Aggregate approach
1:5 (V:H) Maximum slope on road



TYPICAL FORD CROSSING
NOT TO SCALE

NON-STORM WATER DISCHARGE CONTROLS

Stream Crossings

BMP 3-09



**Corresponding
CASQA
Fact Sheet**

Fact Sheet NS-4



What Clear water diversion is a system of structures and measures that intercept clear surface water runoff upstream of a construction project or operation and maintenance activity, transport it around the work area, and discharge it downstream with minimal water quality degradation. It encloses a construction area in a waterway and reduces sediment pollution from construction in, or adjacent to water. Structures commonly used as part of this system include diversion ditches, berms, dikes, slope drains, rock, gravel bags, wood, aqua barriers, cofferdams, filter fabric, or turbidity curtains, drainage or interceptor swales, pipes, or flumes.

Limitations:

- Diversion activities will usually disturb the waterway during installation/removal.
- Installation may require RWQCB 401 Certification, USACOE 404 permit and approval by California Department of Fish and Game. If numerical water quality standards are mentioned in any permits, sampling and testing may be required.
- Diversion activities may constrict the waterway, obstruct flood flows, and cause flooding or washouts. Diversion structures should not be installed without identifying potential impacts to the stream channel.
- Diversion or isolation activities are not appropriate in channels where there is insufficient stream flow to support aquatic species in the dewatered area or if they will disturb sensitive aquatic species.
- Diversion or isolation activities are inappropriate in deep water unless designed and reviewed by a California Registered Civil Engineer.
- Diversion or isolation activities should not completely dam stream flow.
- Dewatering and removal may require additional sediment control or water treatment.

When Clear water diversions should be implemented when:

- Isolating construction or operations and maintenance activities is necessary within or near a water body to protect the water body from the activity. Applicable activities may include but are not limited to: stream bank stabilization, culvert, bridge, pier, or abutment installation. They may also be used in combination with other methods, such as clear water bypasses and/or pumps.

Where

- A clear water diversion is typically implemented where appropriate permits have been secured and work must be performed in a flowing stream or water body.
- Pumped diversions are suitable for intermittent and low flow streams.
- Excavation of a temporary bypass channel, or passing the flow through a flume with a trench excavated under it, is appropriate for the diversion of streams less than 20 feet wide, with flow rates less than 100 cubic feet per second.
- Clear water diversions incorporating clean washed gravel may be appropriate for use in fish spawning streams.

**How**

In general:

- Where working areas encroach on flowing streams, barriers adequate to prevent the flow of muddy water into streams should be constructed and maintained. During construction of the barriers, stream muddying should be minimized.
- Diversion structures must be adequately designed to accommodate fluctuations in water depth or flow volume due to tides, storms, floods, etc.
- Equipment driven in a water body should be clean of petroleum residue, and water levels should be below the fuel tanks, gearboxes, and axles, unless lubricants and fuels are sealed such that water inundation will not result in pollutant discharges.
- Only excavation equipment buckets may reach out into the water body to remove or place fill. The main equipment body should not enter the water except as necessary to cross the stream to access the work site.
- Stationary equipment, such as motors or pumps located within or adjacent to a water body, should be positioned over drip pans.
- When any artificial obstruction is being constructed or maintained, sufficient water should at all times pass downstream to maintain aquatic life.
- Equipment should not park below high water marks unless allowed by permit.
- Disturbance or removal of vegetation should be minimized. Disturbed vegetation should be replaced with appropriate erosion control measures.
- Riparian vegetation, when removed pursuant to the work provisions, should be cut off no lower than the ground level to promote rapid re-growth. Access roads and work areas built over riparian vegetation should be covered by a sufficient layer of clean river run cobble to prevent damage to the underlying soil and root structure. The cobble must be removed upon completion of project activities.
- Drip pans should be placed under all vehicles and equipment placed structures over water bodies when the equipment is planned to be idle for more than one hour.
- Where possible, minimize diversion and encroachment impacts by scheduling construction during periods of low flow. Scheduling should also consider seasonal releases of water from dams, fish migration, and spawning seasons, and water demands due to irrigation.
- Construct diversion structures with materials free of potential pollutants such as soil, grease, or oil.

Several types of clear water diversions are detailed in the CASQA Handbook, each with different applications, design considerations, limitations, and inspection and maintenance requirements. These types of diversions include:

- Temporary Diversions and Encroachments
- Temporary Dry Construction Areas

NON-STORM WATER DISCHARGE CONTROLS

Clear Water Diversion



How (cont')

- Filter Fabric Isolation
- Turbidity Curtain Isolation
- K-Rail River Isolation
- Stream Diversions

The CASQA Handbook should be consulted for additional information for these clear water diversions.

Maintenance and Inspection

- Inspect and verify that activity-based BMPs are in place prior to the commencement of associated activities. While activities associated with the BMP are under way, inspect weekly during the rainy season and at two week intervals in the non-rainy season to verify continued BMP implementation (e.g., or in compliance with the frequency specified in the CGP, if applicable).

Pictures



Corresponding CASQA Fact Sheet

Fact Sheet NS-5

BMP DETAILS 4



Section 4 - Soil Erosion Control

What is Erosion?

Erosion is the detachment of soil particles by water or wind. Erosion is a natural process that can be accelerated by construction activities such as grading and trenching. For example, when a site is cleared and grubbed, protective vegetation is removed and the disturbed soil is directly exposed to wind, rain, and flowing water.

Why is Erosion Control Required?

Water or wind can transport soil particles to water bodies where they can cause damage to, or destruction of, aquatic animals and plants by burying them or reducing oxygen and/or sunlight that is necessary for their survival. Erosion control is required by regulatory agencies to minimize the potential additional erosion and damage to the environment from construction activities.

What is Erosion Control?

Erosion Controls are methods used to protect the soil surface and prevent the soil particles from being detached and transported by rain, flowing water or wind. Erosion controls include limiting soil or vegetation disturbance to reduce erosion. Preservation of Existing Vegetation is an example of an Erosion Control BMP.

Soil Stabilization is the most widely used and most effective method of erosion control. Preventing or reducing erosion potential by directing or controlling drainage runoff, as well as preparing and stabilizing disturbed soil areas protects the exposed soil surface from rain and wind thereby preventing erosion. Diversion Berms and Drainage Swales is an example of an erosion control BMP that intercepts and conveys run-on around or through the project reducing erosion potential. Hydroseeding is also an example of an erosion control BMP that stabilizes the soil. Erosion control BMPs used in this Manual to direct or control runoff and/or stabilize soil include:

- BMP 4-01 Preservation of Existing Vegetation
- BMP 4-02 Temporary Soil Stabilization (General)
- BMP 4-03 Hydraulic Mulch
- BMP 4-04 Hydroseeding
- BMP 4-05 Soil Binders
- BMP 4-06 Straw Mulch
- BMP 4-07 Geotextiles, Plastic Covers, and Erosion Control Blankets/Mats
- BMP 4-08 Dust (Wind Erosion) Control
- BMP 4-09 Diversion Berms and Drainage Swales
- BMP 4-10 Velocity Dissipation Devices
- BMP 4-11 Slope Drains
- BMP 4-12 Streambank Stabilization
- BMP 4-13 Soil Preparation

EROSION CONTROL AND SOIL STABILIZATION

Preservation of Existing Vegetation

BMP 4-01



What Preservation of Existing Vegetation is a procedural BMP that maximizes the preservation of existing trees, shrubs, bushes, and grasses on a construction or operations and maintenance activity site.

When This BMP is applicable to utility activities when there is existing vegetation.

Where All construction and operations and maintenance activity sites where:

- There are areas on site where no activity is planned or will occur later.
- There are areas with vegetation that can be preserved to protect against soil erosion, such as on steep slopes, watercourses, and building sites in wooded areas.
- There are areas designated as ESAs, or where federal, state, or local government regulations require preservation, such as wetlands, vernal pools, marshes, etc.

How Use the following measures as applicable:

- Preserve existing vegetation whenever possible.
- Identify areas to be preserved in the immediate vicinity of the construction or activity site, and mark as appropriate before clearing and grubbing or other soil disturbance activities.
- If necessary, contact the project Field Environmental Representative for any clarification regarding areas to be preserved.
- Whenever possible, minimize disturbed areas by locating temporary roadways to avoid stands of trees and shrubs and follow existing contours to reduce cutting and filling.
- Construction materials, equipment storage and parking areas should be located outside the drip line of any tree to be retained.
- Consider the impact of grade changes to existing vegetation and the root zone.
- Remove any markings, barriers, or fencing after project is completed.
- Maintain the clearly marked limits of disturbance during construction to preserve vegetation.
- Inspect barriers regularly during construction.

**Maintenance
and
Inspection
Pictures**



Vegetation to be preserved is marked and outside the work area.

**Corresponding
CASQA
Fact Sheet**

Fact Sheet EC-2



What	<p>Temporary Soil Stabilization is a procedural BMP utilizing protective materials to cover exposed soil, where the soil exposure is caused by construction or operation and maintenance activities. Materials may include hydraulic mulch and seeding, soil binders, straw, geotextiles, plastic covers and erosion control blankets.</p> <p>Temporary soil stabilization BMPs and their associated materials include:</p> <ul style="list-style-type: none">• BMP 4-03 - Hydraulic Mulch• BMP 4-04 - Hydroseeding• BMP 4-05 - Soil Binders• BMP 4-06 - Straw Mulch• BMP 4-07 - Geotextiles, Plastic Covers and Erosion Control Blankets/Mats
When	<p>This BMP, and the situation appropriate BMPs listed above, is applicable when slopes are constructed or disturbed and/or where there are inactive soil disturbance areas that will not be worked for 14 days or more. The procedures are to be implemented after slope construction activity is complete and then prior to the onset of precipitation.</p>
Where	<ul style="list-style-type: none">• Slopes, soil stockpiles, and inactive disturbed soil areas.• Soil binders (BMP 4-05) may be applicable to areas where there is light traffic that would minimize the effectiveness of other temporary soil stabilization BMPs.
How	<ul style="list-style-type: none">• Sediment control BMPs used to break up the slope lengths, such as fiber rolls (BMP 1-03) or gravel bag berms (BMP 1-04) should be spaced in accordance with the CGP requirements (see installation for BMP 1-03 "Fiber Rolls")• Permanent erosion control shall be applied to areas deemed substantially complete during the project's defined seeding season window.• Refer to individual temporary soil stabilization BMPs for specific instructions for use (see BMP 4-03 through BMP 4-07).
Maintenance and Inspection	<ul style="list-style-type: none">• Refer to individual temporary soil stabilization BMPs listed above for maintenance and inspection requirements.

Pictures



Applying a tackifier using a trailer mounted pump and hose.



Applying soil stabilization manually in harder to reach areas.

**Corresponding
CASQA
Fact Sheet**

Fact Sheet EC-2



- What** Hydraulic Mulch is a procedural BMP for applying mulch to protect the soil surface from wind and rain erosion.
- Mulch consists of a mixture of shredded wood fiber or other fiber in water and a stabilizing emulsion, or tackifier. The mulch is applied with hydro-mulching equipment (water mixture spraying equipment).
- When** Hydraulic mulch is typically applied when a temporary soil cover is required for protection until permanent vegetation is established, or to disturbed areas that must be re-disturbed following a period of inactivity of 14 or more days.
- Where**
- To disturbed areas requiring temporary protection.
 - Do not apply to active work areas where the mulch would interfere with or be destroyed by immediate earthwork activities or construction traffic. Consider using soil binders instead (BMP 4-05).
- How**
- Prior to application, roughen embankment and fill areas with a crimping or punching type roller or by track walking. Track walking shall only be used where other methods are impractical and slope angle allows safe equipment operation. Track walking must be performed upslope so that equipment tracks traverse the slope horizontally along the slope.
 - Avoid mulch over-spray onto the traveled way, sidewalks, lined drainage channels, and existing vegetation.
 - Avoid use of mulch without a tackifier component, especially on slopes.
 - Hydraulic Mulches:
 - Apply as liquid slurry using a hydraulic application machine (i.e., hydroseeder) at rates of mulch and stabilizing emulsion recommended by the manufacturer. Wood fiber hydraulic mulches are generally short-lived (only last a part of a growing season) and must be applied no less than 24 hours before rain events to dry and become effective.
 - Hydraulic Mulch with Binder (Matrix):
 - Apply a combination of wood fiber and/or paper fiber mixed with acrylic polymers as binders. Apply the mulch matrix as liquid slurry using a hydraulic application machine (i.e., hydroseeder) at rates recommended by the manufacturer. Hydraulic matrices must be applied no less than 24 hours before a rain event to dry and become effective.
 - Bonded Fiber Matrix (BFM):
 - Apply BFM using a hydraulic application machine (mulch and tackifier are pre-mixed in a single bag) in accordance with manufacturer's instructions. Do not apply immediately before, during, or after a rain event.
 - Note that cellulose fiber mulches alone may not perform well on steep slopes or in coarse soils.
- Maintenance and Inspection**
- Maintain an unbroken, temporary mulched ground cover throughout the period of construction when the soils are not being reworked. Inspect before expected rain and repair any damaged ground cover and re-mulch areas of exposed soil (e.g., weekly, or in compliance with the frequency specified in the project specific SWPPP, if applicable).
 - After any rain event, maintain all slopes to prevent erosion.

Pictures



Applying hydraulic mulch.



Close-up of bonded fiber matrix

**Corresponding
CASQA
Fact Sheet**

Fact Sheet EC-3



- What** Hydroseeding is a procedural BMP for the application of vegetation seed in a protective mixture for both soil and seed. The seed then sprouts, providing vegetation that provides additional soil erosion control (holds the soil in place and shields the soil from erosion). Hydroseeding material typically consists of a mixture of fiber, seed, fertilizer, and stabilizing emulsion.
- When**
- When temporary protection is needed until permanent vegetation protection can be established. Temporary vegetation should not be used for more than 3 to 6 months.
 - Avoid using hydroseeding during dry weather periods, unless supplemental irrigation is used.
- Where**
- Use on disturbed soil areas that must be re-disturbed following construction inactivity of 14 or more days.
 - Avoid use of hydroseeding in areas where the BMP would be incompatible with site conditions. These conditions include:
 - Slopes steeper than 1:3 vertical: horizontal. Steep slopes are difficult to protect with temporary seeding.
 - Traffic areas, where construction or other traffic would prevent seed sprouting or vegetation growth. Consider using soil binders instead (see BMP 4-05).
- How**
- Hydroseeding can be accomplished using a multiple-step (with straw mulch) or a one-step process (mixed with hydraulic mulch, hydraulic matrix, or bonded fiber matrix). When the one-step process is used to apply the mixture of fiber, seed, etc., the seed rate shall be increased to compensate for all seed not having direct contact with the soil. Confirm with your project Field Environmental Representative the appropriate seed mix to be used.
 - Prior to application roughen the slope, fill area, or area to be seeded with the furrows trending along the contours.
 - Apply straw mulch as necessary to keep seeds in place and to moderate soil moisture and temperature until the seeds germinate and grow.
 - Follow-up applications shall be made as needed to cover weak spots, and to maintain adequate soil protection.
 - Avoid over-spray onto the travel way, sidewalks, drainage channels and existing vegetation.
- Maintenance and Inspection**
- All seeded areas shall be inspected for failures and re-seeded, fertilized, and mulched within the planting season, using not less than half the original application rates. Any temporary re-vegetation effort that does not provide adequate cover must be re-vegetated.
 - After any rainfall event, maintain all slopes to prevent erosion.



Pictures



Applying hydroseed.

Corresponding CASQA Fact Sheet

Fact Sheet EC-4



What	Soil Binders is a procedural BMP for applying soil binder material to the soil surface to temporarily prevent water-induced erosion of exposed soils on construction or applicable operations and maintenance sites. Soil binders bind with the soil, creating a crust that sheds water and prevents the water erosion. Soil binders also provide temporary dust, wind, and soil stabilization benefits.
When	<p>Soil binders are typically applied to disturbed soil areas that require short-term temporary protection.</p> <p>Soil binders have the following application timing limitations:</p> <ul style="list-style-type: none"> • May not cure when low temperatures occur within 24 hours of application. • Soil binders generally experience spot failures during heavy rain and may need reapplication after a storm. • Some soil binders may not perform well during periods of low relative humidity.
Where	<p>Soil binders can be used for any disturbed soil area. Soil binders can often be incorporated into the work so they may be a good choice for areas where grading activities will soon resume or that experience light construction traffic.</p> <p>Soil binders have the following limitations for particular areas of application:</p> <ul style="list-style-type: none"> • Soil binders may not penetrate areas where soil surfaces are made up primarily of silt and clay, particularly when compacted. • Soil binders may not hold up well in areas of heavy pedestrian or medium to heavy vehicular traffic.
How	<p>Selection of soil binders should be approved by the project Field Environmental Representative after an evaluation of site-specific factors. Chemical soil binders must be on the SDG&E List of Approved Products. These approved soil binder products have low or no toxicity to aquatic organisms and wildlife and may not trigger the construction site sampling requirements of the CGP. Follow manufacturer's recommendations for application procedures and cleaning of equipment after use. Any onsite cleaning must use appropriate BMPs (BMP 2-02 "Material Use", 2-03 "Spill Control", 2-04 "Solid Waste Management", 2-08 "Liquid Waste/Drilling Fluid Management", and 3-03 "Vehicle and Equipment Washing").</p> <ul style="list-style-type: none"> • Prior to application, roughen embankment and fill areas. Track walking shall only be used where rolling is impractical. • Soil binders should not be applied during or immediately before rain events. Soil binders must be applied no less than 24 hours before rain to cure and dry and become fully effective. • Avoid over-spray onto paths, sidewalks, lined drainage channels, sound walls, and existing vegetation. • Do not apply soil binders to frozen soil, areas with standing water, under freezing conditions, or when the temperature is below 40°F during the curing period. • More than one treatment is often necessary, although the second treatment may be diluted or have a lower application rate. • For liquid agents: <ul style="list-style-type: none"> ○ Crown or slope ground to avoid ponding. ○ Uniformly pre-wet ground according to manufacturer's recommendations. ○ Apply solution under pressure. Overlap solution 6 to 12 inches.





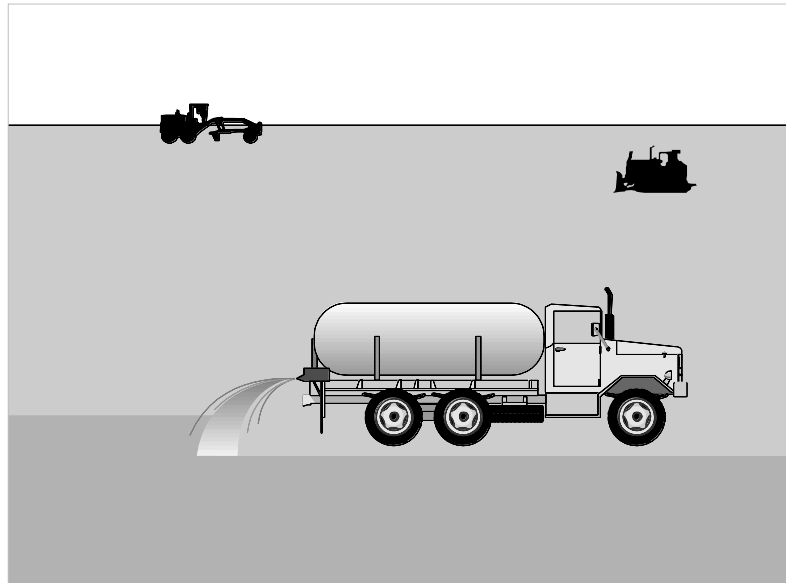
How (cont')

- Allow treated area to cure for the time recommended by the manufacturer; typically at least 24 hours.
- Apply second treatment before first treatment becomes ineffective, using 50 percent application rate.
- In low humidity, reactivate chemicals by re-wetting according to manufacturer's recommendations.

Maintenance and Inspection

- Reapplying the selected soil binder may be needed for proper maintenance. Traffic areas should be inspected routinely.
- After any rainfall event, maintain all slopes to prevent erosion.

Pictures



Corresponding CASQA Fact Sheet

Fact Sheet EC-5



What	Straw Mulch is a procedural BMP for the application of a uniform layer of straw to exposed soil surfaces to protect exposed soil from rain and wind erosion. Straw mulch consists of straw, and may incorporate a tackifier emulsion for stabilization of the mulch when used for protecting sloped areas of exposed soil.
When	<p>Straw mulch is used when:</p> <ul style="list-style-type: none">• Temporary soil stabilization surface cover is needed on disturbed areas until soils can be prepared for re-vegetation and permanent vegetation is established.• In combination with temporary and/or permanent seeding strategies to enhance plant establishment. Straw mulch typically lasts less than six months. <p>Limitation: There is a potential for introduction of weed-seed and unwanted plant material with straw. Certified Weed free rice straw must be used when it is important not to introduce unwanted plants.</p>
Where	Application of straw mulch is applicable to flat areas of exposed soil and areas of exposed soil with gradual slopes.
How	<p>Use tackifier to anchor straw mulch to the soil on slopes. Tackifiers act to glue the straw fibers together and to the soil surface, and the tackifier shall be selected based on longevity and ability to hold the fibers in place. Soil binders (tackifier) will generally experience spot failures during heavy rain events. A tackifier is typically applied at a rate of 125 pounds per acre. In windy conditions, the rates are typically 150 pounds per acre.</p> <ul style="list-style-type: none">• Crimping, punch roller-type rollers, or track-walking may also be used to incorporate straw mulch into the soil on slopes. Track walking shall only be used where other methods are impractical.• Avoid placing straw onto construction traffic ways, sidewalks, lined drainage channels, and existing vegetation.• Straw mulch with tackifier shall not be applied during or immediately before rain events.• Apply loose straw at a rate between 3,000 and 4,000 pounds per acre (lb/acre), either by machine using a straw blower or by hand distribution and provide 100 percent ground cover. Use a lighter application on flat surfaces and a heavier application on slopes.• The straw mulch must be evenly distributed on the soil surface.• Anchor mulch in place by "punching" it into the soil mechanically in lieu of using a tackifier. "Punching" of straw does not work in sandy soils.• Methods for holding the straw mulch in place depend on the slope steepness, accessibility, soil conditions and longevity. If the selected method is incorporation of straw mulch into the soil, then proceed as follows:<ul style="list-style-type: none">○ A tackifier acts to glue the straw fibers together and to the soil surface. Selection of a tackifier should be based on longevity and ability to hold the fibers in place. Application of a tackifier is typically at a rate of 125 lb/acre and 180 lb/acre in windy conditions.○ On very small areas, a spade or shovel can be used.○ On soil slopes which are stable enough, and gradually sloped to safely support construction equipment without contributing to compaction and instability problems, straw can be "punched" into the ground using a knife-blade roller or a straight bladed coultter, known commercially as a "crimper."



How (cont')

- On small areas and/or steep slopes, straw can also be held in place using plastic netting or jute. The netting shall be held in place using 11 gauge wire staples, geotextile pins or wooden stakes (BMP 4-07), “
- On small areas and/or steep slopes, straw can also be held in place using plastic netting or jute. The netting shall be held in place using 11 gauge wire staples, geotextile pins or wooden stakes (BMP 4-07, “Geotextiles, Plastic Covers, and Erosion Control Blankets/Mats”).
- Remove straw as necessary prior to permanent seeding or soil stabilization.

Maintenance and Inspection

- The key consideration in maintenance and inspection is that the straw needs to last long enough to achieve erosion control objectives.
- Reapplication of straw mulch and tackifier may be required to maintain effective soil stabilization over disturbed areas and slopes.
- After any rain event, inspect and maintain all slopes and straw mulch cover to prevent erosion.

Pictures



Straw mulch.

Corresponding CASQA Fact Sheet

Fact Sheet EC-6



What This Erosion Control and Soil Stabilization BMP is a procedural BMP for the installation of specific erosion control soil stabilization materials to control erosion from wind and water. These materials consist of:

- Geotextile blankets/mats,
- Plastic covers, and
- Natural/man-made material erosion control blankets.

Geotextiles are permeable fabrics typically made from polypropylene (plastic) or polyester that have the ability to protect the soil from erosion but are able to allow some water to reach and to drain the soil. Geotextile fabrics come in three basic forms: woven, needle punched, or heat bonded. Geotextiles also allow controlled rate and filtered drainage from a slope for slope moisture control, while providing slope reinforcement and protection.

Plastic Covers, such as Visqueen, are essentially impermeable and are used for immediate, temporary protection.

Erosion control blankets/mats are meant to protect exposed soil from wind and rain impact and reduce the speed at which water moves across the soil surface. These blankets can be made out of straw, coconut fiber, aspen fiber, jute, and polypropylene. Permeability varies according to material and material weave.

When

- Use blankets/mats when disturbed soils, especially on moderate to steep slopes, are difficult to stabilize or access. Due to wildlife concerns, consult with your project Field Environmental Representative for any restrictions on using these products on your project.

- Geotextile blanket/mats should be used when slope reinforcement may be required.
- Geotextile blankets/mats and natural fiber blankets/mats (depending on their permeability) are used when it is important to allow some water to reach the soil for seed germination or allow slope drainage for moisture control.

Where

- Blankets and mats are generally not suitable for excessively rocky sites or areas where the final vegetation will be mowed (because staples and netting can catch in mowers).

- Plastic results in 100 percent runoff, therefore, their use is limited to:
 - Covering small stockpiles.
 - Covering small graded areas for short periods, such as through an imminent storm event, until alternative measures may be installed.
 - Note the CGP discourages the use of plastic materials for cover when more sustainable alternatives can be used.

Blankets/mats should be used where there are:

- Steep slopes, generally steeper than 1:3 (vertical: horizontal).
- Slopes where the erosion hazard is high.
- Slopes and disturbed soils where mulches would need to be anchored.
- Disturbed areas where plants are slow to develop adequate protective cover.
- Channels with high flows.
- Channels intended to be vegetated.
- Slopes adjacent to water bodies or ESAs).

How For blankets or mat materials, proper site preparation is essential to ensure complete contact of the blanket or matting with the soil.



How (cont.)

- Grade and shape the area of installation.
- Remove all rocks, clods, vegetation or other obstructions so that the installed blankets or mats will have complete, direct contact with the soil.
- Prepare seedbed by loosening of topsoil.
- Seed the area before blanket installation for erosion control and vegetation. Seeding after mat installation is often specified for turf reinforcement. When seeding prior to blanket installation, all check slots and other areas disturbed during installation must be re-seeded. Where soil filling is specified, seed the matting and the entire disturbed area after installation and prior to filling the mat with soil.
- U-shaped wire staples, metal geotextile stake pins, or triangular wooden stakes can be used to anchor mats and blankets to the ground surface.
- Wire staples and metal stakes should be driven flush to the soil surface.
- All anchors should be 6 inches to 18 inches long and have sufficient ground penetration to resist pullout. Longer anchors may be required for loose soils.
- Installation on slopes - Consult the manufacturer's recommendations for installation. In general, these will be as follows:
 - Begin at the top of the slope and anchor the blanket in a 6 inch deep by 6 inch wide trench. Backfill trench and tamp earth firmly.
 - Unroll blanket down slope in the direction of water flow.
 - Overlap the edges of adjacent parallel rolls 2 inches to 3 inches and staple every 3 feet.
 - When blankets must be spliced, place blankets end over end (shingle style) with a 6 inch overlap. Staple through overlapped area, approximately 12 inches apart.
 - Lay blankets loosely and maintain direct contact with the soil. Do not stretch.
 - Staple blankets sufficiently to anchor blanket and maintain contact with the soil. Staples shall be placed down the center and staggered with the staples placed along the edges.
- Blankets and mats must be removed and disposed of prior to application of permanent soil stabilization measures.
- For plastic sheeting, it is important for the entire stockpile or exposed soil area to be covered completely, and the plastic firmly anchored with anchor objects spaced evenly along the entire perimeter so that wind, or storm water run-on, does not uncover the stockpile. Suitable anchors are gravel bags, sand bags, hay bales, or other non-polluting objects that can be safely handled.

Maintenance and Inspection

- Areas covered with temporary soil stabilization should be inspected routinely and before and after significant forecasted storm events. Any failures should be repaired immediately. Areas covered with temporary soil stabilization should be maintained to provide adequate erosion control. Temporary soil stabilization should be reapplied or replaced on exposed soils when greater than 10 percent of the previously covered area becomes exposed or exhibits visible erosion.
- If washout or breakage occurs, re-install the material after repairing the damage to the slope or channel.

Pictures



Several types of erosion control blankets.

**Corresponding
CASQA
Fact Sheet**

Fact Sheet EC-7



What	Dust (Wind Erosion) control is a procedural BMP that consists of applying water or other dust suppressant to prevent or alleviate dust nuisance generated by construction and operations and maintenance activities.
When	<ul style="list-style-type: none"> • Dust control must be used whenever wind speed picks up dust and creates visual dust emissions. Dust control should be used at least initially on any project when exposed soil is subject to vehicle traffic and soil disturbance activities (e.g., dirt construction site, dirt access road traffic, grading, excavating, and soil stockpile generation, or soil removal from soil stockpiles). • Dust control must be implemented in accordance with local air quality requirements.
Where	All construction and operations and maintenance activity sites where exposed soil is susceptible to wind erosion.
How	<p>Use the following measures as applicable:</p> <ul style="list-style-type: none"> • Appropriate methods of applying dust control (water, chemical dust suppressant, or soil covers and the means to apply it) should be available for construction or operation and maintenance activity sites with the potential to create dust. • Water applied for dust control should be applied evenly and in a manner that does not generate runoff. • Dust control methods should be approved by the project Field Environmental Representative. A construction permit or an agency rule may require specific control procedures. • Obtain prior approval to use any chemical dust suppressant from the project Field Environmental Representative. Dust suppressant chemicals must be on SDG&E's approved product list • Non-potable water should not be conveyed in tanks or drainpipes that will be used to convey potable water, and there should be no connection between potable and non-potable supplies. Non-potable tanks, pipes and other conveyances should be marked "NON-POTABLE WATER - DO NOT DRINK." Approval for use of all non-potable sources of water must be obtained from the project Field Environmental Representative. • If reclaimed wastewater is used for dust control, the sources and discharge must meet California Department of Health Services water reclamation criteria and RWQCB requirements. Approval for use of reclaimed wastewater must be obtained from the project Field Environmental Representative.
Maintenance and Inspection	<ul style="list-style-type: none"> • Check areas protected to ensure coverage. • Reapply water, chemical dust suppressants, or maintain soil covers as necessary to maintain their effectiveness.



Pictures



Water being applied for dust control.

**Corresponding
CASQA
Fact Sheet**

Fact Sheet WE-1



- What** A diversion berm is a temporary berm of compacted soil used to direct runoff water to a desired location. A drainage swale is a shaped and sloped soil depression used to convey runoff to a desired location. Diversion berms and drainage swales divert off site runoff around the construction or operation and maintenance site, divert runoff from flowing onto stabilized areas and disturbed areas, and direct runoff into sediment basins or traps. A diversion berm or swale itself does not control erosion or remove or trap sediment from runoff.
- Limitations:
- Diversion berms may create disturbed areas and become construction equipment barriers.
 - Diversion berms must be stabilized immediately, adding cost and maintenance.
 - Diverted storm water may cause downstream flood damage.
 - Berms should not be constructed of easily eroded soils.
 - Regrading the site to remove the berm may add cost.
 - Other soil stabilization and sediment controls such as check dams, plastics, and blankets may be needed to prevent erosion in newly graded berms and swales.
 - Sediment accumulation, scour depression, and/or persistent non-storm water discharges can result in standing water suitable for mosquito production.
- When** Diversion berms and drainage swales are suitable for use, individually or together, where runoff needs to be diverted from one area to another. These BMPs may be used:
- To direct runoff away from disturbed areas or at the top of slopes.
 - To convey surface runoff down sloping land.
 - To divert runoff towards a stabilized watercourse, drainage pipe, or channel.
 - To intercept runoff from paved surfaces.
 - To divert sediment laden runoff into sediment basins or traps.
- Where** Diversion berms and drainage swales should be considered:
- At the top of slopes to divert run-on from adjacent or undisturbed slopes.
 - At bottom and mid-slopes to intercept sheet flow and convey concentrated flows.
 - Below steep grades where runoff begins to concentrate.
 - Along roadways and facility improvements subject to flood drainage.
 - Berms should not be used for drainage areas greater than 10 acres or along slopes greater than 10 percent. For larger drainage areas, more permanent drainage structures should be built in accordance with local requirements.
 - Drainage areas more than 5 acres should not drain to a temporary drainage swale. For larger drainage areas, use berms, or more permanent drainage structures should be built in accordance with local requirements.
- How** Berms and swales should not adversely affect adjacent properties and must conform to local floodplain management regulations. Obtain written



**How
(cont.)**

authorization from property owner to divert runoff onto another property.

- Care must be applied to correctly size and locate berms and drainage swales.
- Conveyances and outlets should be stabilized.
- Size to control flow velocity based on evaluation of the erosion risk, soil types, overtopping, flow backups, washout, and site drainage flow patterns.
- Install permanent berms and swales early in the construction process.

Diversion Berms:

- Compact all berms and provide positive drainage to an outlet.
- All berms should have 1:2 (vertical: horizontal) or flatter side slopes, and minimum 18-inch height, and minimum 24-inch top width. Wide top widths and flat slopes are usually needed for construction traffic crossings.
- Runoff should be conveyed to a sediment trapping device when the berm channel or the drainage area above the berm are not adequately stabilized.
- Temporary stabilization may be achieved using seed and mulching for slopes less than 5 percent and either riprap or sod for slopes greater than 5 percent. Stabilization should be completed immediately after installation/placement.
- If riprap is used to stabilize the channel formed along the toe of the berm, the following typical specifications apply:

Channel Grade	Riprap Stabilization
0.5 - 1%	4 inch Rock
1.1 - 2.0%	6 inch Rock
2.1 - 4.0%	8 inch Rock
4.1 - 5.0%	8 to 12 inch Riprap

- The riprap, recycled concrete, etc. should be pressed into the soil with construction equipment.
- Filter fabric may be used to cover berms in use for long periods.
- Construction activity on the earthen berms should be kept to a minimum.

Drainage Swales:

Standard engineering design criteria for small open channel and closed conveyance systems should be used. Unless local drainage design criteria state otherwise, drainage swales should be designed as follows:

- Place drainage swales above or below, not on, a cut or fill slope.
- Swale bottom width should be at least 2 feet, and the depth of the swale should be at least 18 inches. The swale side slopes should be 1:2 (vertical: horizontal) or flatter.
- Drainage swales should be at a grade of at least 1 percent, but not more than 15 percent.
- The swale must not be overtopped by the peak discharge from a 10-year storm, irrespective of the design criteria above.



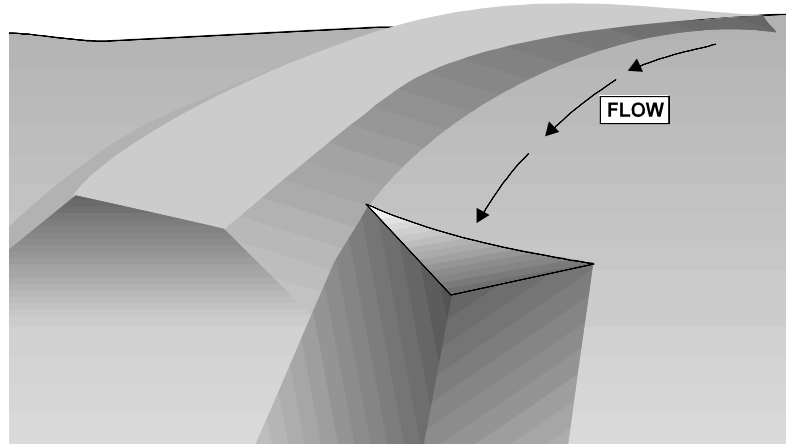
How (cont.)

- Remove all vegetation and other objectionable materials and compact the fill material along the swale path.
- Stabilize all swales immediately after installation/placement. Seed and mulch swales with slopes of less than 5 percent and use riprap or sod for swales with slopes between 5 and 15 percent. For temporary swales, geotextiles and mats may provide immediate stabilization.
- Irrigation may be required to establish sufficient vegetation to prevent erosion.
- Do not operate vehicles across a swale unless a stabilized crossing is provided.
- Permanent drainage facilities must be designed by a California Registered Civil Engineer.
- At a minimum, the drainage swale should conform to predevelopment drainage patterns and capacities.
- Construct the drainage swale with a positive grade to a stabilized outlet.
- Provide erosion protection or energy dissipation measures if the flow out of the drainage swale can reach erosive velocity.

Maintenance and Inspection

- Inspect berms and drainage swales dams prior to, daily during, and after each storm event, and routinely throughout the construction activity (e.g., weekly, or in compliance with the frequency specified in the CGP, if applicable).
- Inspect BMPs subject to non-storm water discharges daily while the discharges occur.
- Inspect ditches and berms for washouts and erosion. Repair riprap, damaged linings, or soil stabilizers, and linings as needed.
- Inspect channel linings, embankments, and beds of swales and berms for erosion and accumulation of debris and sediment. Remove accumulated debris and sediment as needed. Removed sediment shall be incorporated in the project at appropriate locations or disposed of in accordance with federal, state and local requirements.
- Temporary conveyances should be completely removed as soon as the surrounding drainage area has stabilized or at the completion of construction.

Pictures



EROSION CONTROL AND SOIL STABILIZATION

Diversion Berms and Drainage Swales



**Corresponding
CASQA
Fact Sheet**

Fact Sheet EC-9



- What** Velocity dissipation devices are composed of rock, riprap, grouted riprap or concrete rubble, placed at the outlet of a pipe, channel, or waterbar to prevent scour and erosion caused by concentrated high velocity flows. There are many types of dissipation devices.
- Limitations:
- Large storms or high flows can wash away the outlet protection and leave the area susceptible to erosion.
 - Sediment captured by the outlet protection may be difficult to remove without removing the protection.
 - Outlet protection may negatively impact the channel habitat.
 - Grouted riprap may break up in areas of freeze and thaw.
 - With inadequate drainage, water may build up behind and break grouted riprap.
 - Sediment accumulation, scour depression, and/or persistent non-storm water discharges can result in standing water suitable for mosquito production.
- When** Velocity dissipation devices are suitable when discharge velocities and energies at the outlets of culverts, conduits, waterbars, or channels are sufficient to erode the next downstream reach.
- Where** Velocity dissipation devices should be considered:
- At outlets of pipes, drains, culverts, slope drains, diversion ditches, swales, conduits, channels, waterbars, etc.
 - At outlets located at the bottom of mild to steep slopes.
 - At discharge outlets that carry continuous water flow.
 - At outlets subject to short, intense water flows, such as flash floods.
 - At points where lined conveyances discharge to unlined conveyances.
- How** Depth of flow, roughness, gradient, side slopes, discharge rate, and velocity should be considered in the outlet design. Compliance to local and state regulations should be considered, particularly while working in environmentally sensitive streambeds.
- Determine the apron length and rock size gradation using the discharge pipe diameter and estimated discharge rate table below. Select the longest apron length and largest rock size suggested by the pipe size and discharge rate. Recommendations for rock size and length of outlet protection mat should be considered minimums. Use sound, durable, and angular rock.
 - Where flows are conveyed in open channels such as ditches or swales, use the estimated discharge rate for selecting the apron length and rock size. Flows should be the same as the culvert or channel design flow but never less than the peak 5 year flow for temporary structures planned for one rainy season, or the 10 year peak flow for temporary structures planned for two or three rainy seasons.
 - Install filter fabric, riprap, grouted riprap, or concrete apron at selected outlet. Install filter fabric or well-graded filter layer beneath the riprap apron. Riprap aprons are best suited for temporary use during construction. Grouted or wired riprap can minimize maintenance.
 - Rock outlet protection is usually less expensive and easier to install than concrete aprons or energy dissipaters, and serves to trap sediment and reduce flow velocities.



**How
(cont.)**

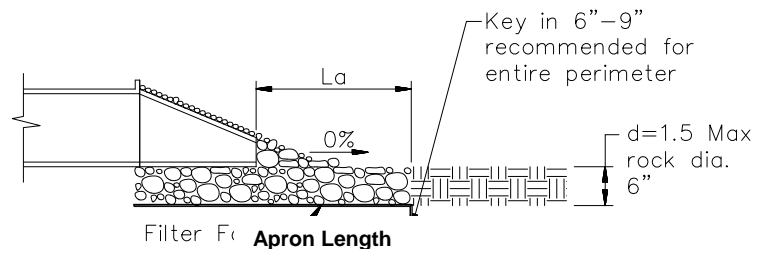
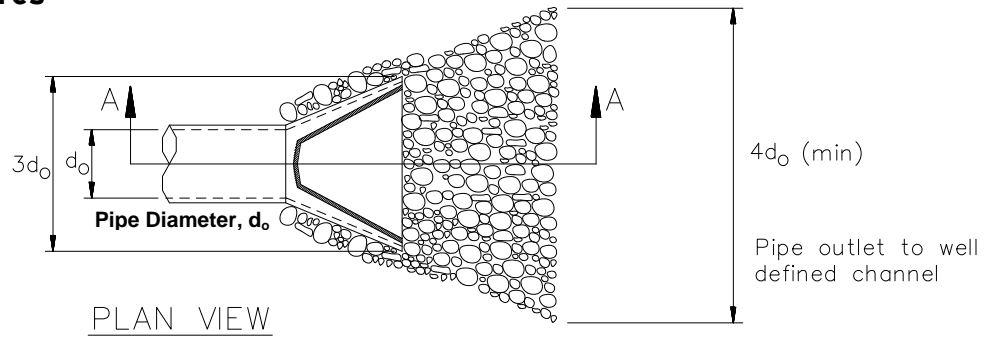
- Carefully place riprap to avoid damaging the underlying filter fabric.
 - Rock 4 to 6-inches may be carefully dumped onto the filter fabric from a maximum height of 12 inches.
 - 8- to 12-inch rock must be hand placed onto filter fabric, or the filter fabric may be covered with 4 inches of gravel, and the rock may be dumped from a maximum height of 16 inches.
 - Rock greater than 12 inches shall only be dumped onto filter fabric protected with a layer of gravel with a thickness equal to one-half the D_{50} rock size, with the dump height limited to twice the gravel protection layer thickness.
- Align apron with receiving stream and keep straight throughout its length. If a curve is needed to fit site conditions, place it in the upper section of the apron.
- Outlets on slopes steeper than 10 percent should have additional protection.

Pipe Diameter (in)	Discharge (ft ³ /s)	Apron Length (ft)	Min. Riprap D_{50} Diameter (in)
12	5	10	4
	10	13	6
18	10	10	8
	20	16	12
	30	23	16
	40	26	8
24	30	16	8
	40	26	12
	50	26	16
	60	30	8

**Maintenance
and
Inspection**

- Inspect velocity dissipation devices prior to and after each rain event, and daily during extended rain events throughout the construction activity (e.g., weekly, or in compliance with the frequency specified in the project specific SWPPP, if applicable). Initiate repairs related to a storm event within 72 hours of identifying the problem or as soon as possible but prior to the next predicted storm event, per the CGP.
- Inspect BMPs subject to non-storm water discharges daily while the discharges occur. Minimize standing water by removing sediment blockages and filling depressions.
- Inspect apron for displacement of the riprap and damage to the underlying fabric. Repair fabric and replace riprap that has washed away. If riprap continues to wash away, consider using larger material.
- Inspect for scour beneath the riprap and around the outlet. Repair damage to slopes or underlying filter fabric immediately.
- Temporary devices should be completely removed as soon as the surrounding drainage area has been stabilized or at the completion of construction.

Pictures



**Corresponding
 CASQA
 Fact Sheet**

Fact Sheet EC-10



What A slope drain is a pipe used to intercept and direct surface runoff or groundwater into a stabilized watercourse, trapping device, or stabilized area. Slope drains are typically used with diversion berms and drainage ditches to intercept and direct surface flow away from slope areas to protect cut or fill slopes. Slope drains prevent storm water from flowing directly down the slope by confining the runoff into an enclosed pipe or channel. The slope drain may be installed as a rigid pipe, such as corrugated metal, a flexible conduit, or a lined terrace drain with a top of a slope inlet and a bottom of a slope outlet.

Limitations:

- Slope drain sizing, installation, and maintenance is critical to minimize the potential for failure. Severe erosion may result when slope drains fail by overtopping, pipe separation, or other signs of erosion.
- Dissipation of high flow velocities at the pipe outlet is required to avoid erosion.
- Sediment accumulation, scour depression, and/or persistent non-storm water discharges can result in standing water suitable for mosquito production.

When Slope drains are suitable when:

- Concentrated runoff flow must be conveyed down a slope.
- Drainage is needed for top of slope diversion dikes or swales.
- Drainage is needed for top of cut and fill slopes where water can accumulate.
- Emergency spillway is required for a sediment basin.

Where Slope drains should be considered where:

- The drainage area is less than 10 acres per slope drain. For larger areas, use a rock-lined channel, or subdivide into areas of 10 acres or less, with each area is treated as a separate drainage.
- Drainage areas exceeding 10 acres must be designed by a California Registered Civil Engineer and approved by the agency that issued the grading permit.

How

- Permanent structures included in the project plans can often serve as construction BMPs if implemented early. However, the permanent structure must meet or exceed the criteria for the temporary structure.
- Slope drains and inlets must be securely attached to the slope and must be adequately sized to carry the capacity of the design storm and associated forces.
- Outlets must be stabilized with riprap, concrete, or other type of energy dissipater, or directed into a stable sediment trap or basin.
- Debris racks are recommended at the inlet. Debris racks are barriers used to collect debris that is too large to pass through the inlet. Debris racks located several feet upstream of the inlet can usually be larger than racks at the inlet, and thus provide enhanced debris protection and less plugging.



**How
(cont.)**

- Safety racks are also recommended at the inlet and outlet of pipes to prevent a human body or animal from washing into the pipe and/or becoming trapped.
- Size to convey at least the peak flow of a 10-year storm. The design storm is conservative due to the potential impact of system failures. The pipe size may be computed using the Rational Method or a method established by a local municipality. Higher flows must be safely stored or routed to prevent any offsite concentration of flow or erosion. Maximum slope generally limited to 1:2 (vertical: horizontal) as energy dissipation below steeper slopes is difficult.
- Direct surface runoff to slope drains with interceptor dikes. Top of interceptor dikes should be 12 inches higher than the top of the slope drain.
- Slope drains can be placed on or buried beneath the slope surface.
- As a guide, temporary slope drains should not be sized smaller than shown in the following table:

Minimum Pipe Diameter (inches)	Maximum Drainage Area (Acres)
12	1.0
18	3.0
21	5.0
24	7.0
30	10.0

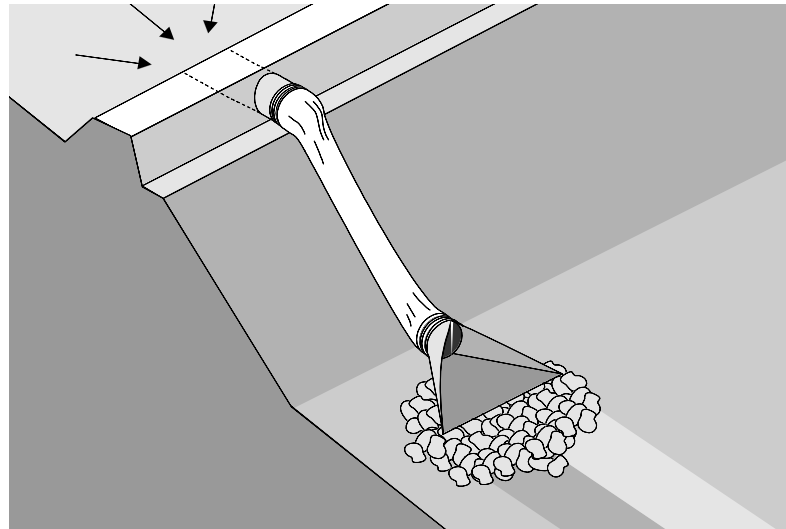
- Recommended materials include metal, plastic, or concrete pipe, either corrugated or smooth wall. The following types of slope drains are common:
 - Rigid Pipe: Also known as a pipe drop, the pipe usually consists of corrugated metal pipe or rigid plastic pipe. The pipe is placed on undisturbed or compacted soil and secured to the slope surface or buried in a trench. Concrete thrust blocks must be used when warranted by the calculated thrust forces. Collars should be properly installed and secured with straps or watertight collars.
 - Flexible Pipe: The pipe consists of a flexible tube of heavy duty plastic, rubber, or composite material. The tube material is securely anchored to the slope surface. The tube should be securely fastened to the metal inlet and outlet conduit sections with metal straps or watertight collars.
 - Section Downdrains: The section downdrain consists of a pre-fabricated, section conduit of half round or third round material, and performs similar to a flume or chute. The pipe must be placed on undisturbed or compacted soil and secured into the slope.
 - Concrete-Lined Terrace Drain: This concrete channel drains water from a slope terrace to the next level. These drains are typically specified as permanent structures and should be designed according to local criteria. If installed early, they can be construction slope drains.

How



- (cont.)** When installing slope drains:
- Install perpendicular to slope contours.
 - Compact soil around and under entrance, outlet, and along length of pipe.
 - Securely anchor and stabilize pipe appurtenances into soil.
 - Check to ensure that pipe connections are watertight.
 - Protect areas around inlet with filter fabric. A flared end section installed at the inlet will improve flow into the slope drain and prevent erosion at the pipe entrance. Use a flared section with a 6-inch minimum toe plate to help prevent undercutting. The flared section should slope towards the pipe inlet.
 - Protect outlet with riprap or other energy dissipation device. Protect outlet of slope drains using a flared end section when outlet discharges to a flexible energy dissipation device.
- Maintenance and Inspection**
- Inspect slope drains prior to and after each storm event, and daily during extended rain events throughout the construction activity (e.g., weekly, or in compliance with the frequency specified in the project specific SWPPP, if applicable). Initiate repairs related to a storm event within 72 hours of identifying the problem or as soon as possible but prior to the next predicted storm event, per the CGP.
 - Inspect BMPs subject to non-storm water discharges daily while the discharges occur. Minimize standing water by removing sediment blockages and filling depressions.
 - Inspect outlet for erosion and downstream scour. If eroded, repair damage and install additional energy dissipation measures. If downstream scour is occurring, it may be necessary to reduce flows being discharged into the channel unless other preventative measures are implemented.
 - Insert inlet for clogging or undercutting. Remove debris from inlet to maintain flows. Repair undercutting at inlet, and if needed, install flared section or riprap around the inlet to prevent further undercutting.
 - Inspect pipes for leakage. Repair leaks and restore damaged slopes.
 - Inspect slope drainage for accumulations of debris and sediment. Remove sediment from entrances and outlets as required. Flush drains as necessary; capture and settle out sediment from discharge.
 - Ensure water is not ponding onto inappropriate areas (e.g. active traffic lanes, material storage areas, etc.).
 - Pipe anchors must be checked to ensure that the pipe remains anchored to the slope. Install additional anchors if pipe movement is detected.

Pictures



**Corresponding
CASQA
Fact Sheet**

Fact Sheet EC-11



What Streambank stabilization includes measures to reduce the discharge of sediment from streambanks with exposed or disturbed soil, or unstable banks. Streambank stabilization measures include preservation of existing vegetation, hydraulic mulch, hydroseeding, soil binders, straw mulch, geotextiles and mats, berms, and drainage swales, velocity dissipation devices, and slope drains. Streambank sediment controls include silt fences, fiber rolls, gravel bag berms, rock filters, and K-rail barriers, and padding. Each of these measures have different applications, limitations, and maintenance requirements for use as streambank stabilization.

Stream channels, streambanks, and associated riparian areas are dynamic and sensitive ecosystems that respond to changes in land use. Streams on the 303(d) list and listed for sediment may require numerous measures to prevent any increases in sediment load to the stream.

General streambank stabilization limitations:



- **Specific permit requirements or mitigation measures such as RWQCB 401 Certification, U.S. Army Corps of Engineers 404 permit and approval by the California Department of Fish and Game supersede the guidance in this BMP.**
- If numerical water quality standards are mentioned in any of these and other related permits, testing and sampling may be required. Soil disturbance activities in watersheds having streams listed as 303(d) impaired for sediment, silt, or turbidity, may require sampling to verify that there is no net increase in sediment load.

When When construction or operations and maintenance activities occur within stream channels and associated riparian areas.

Where Streambank stabilization procedures apply to all construction projects and operations and maintenance activities that disturb or occur within stream channels and their associated riparian areas.

How Planning should account for: scheduling; avoidance of wet in-stream construction; minimizing disturbance and construction time period; selecting crossing location; and selecting equipment.



- **Construction and operation and maintenance activities should be scheduled according to the relative sensitivity of the environmental concerns and will be different when working near perennial streams vs. ephemeral streams.**
- Minimize disturbance by using pre-disturbed areas, selecting the narrowest crossing location, limiting vehicle crossing trips, and minimizing the number and size of work areas. Plan work areas at least 50 feet from the stream channel.
- Avoid steep and unstable banks, highly erodible or saturated soils, or highly fractured rock.
- Select a project or work site that minimizes disturbance to aquatic species or habitat.
- Select equipment that reduces the amount of pressure exerted on the ground surface (less than 5 or 6 pounds per square inch where possible).



Maintenance and Inspection

- Inspect streambank stabilization BMPS prior to and after each storm event, and daily during extended rain events throughout the construction activity (e.g., weekly, or in compliance with the frequency specified in the project specific SWPPP, if applicable). Initiate repairs related to a storm event within 72 hours of identifying the problem or as soon as possible but prior to the next predicted storm event, per the CGP.
- Inspect BMPs subject to non-storm water discharges daily while the discharges occur.
- Inspect and repair equipment (for damaged hoses, fittings, and gaskets, etc.).

Pictures



Cobble or gravel armor used for streambank stabilization.

Corresponding CASQA Fact Sheet

Fact Sheet EC-12



What Soil preparation/roughening involves assessment and preparation of surface soils for BMP installation. This includes soil testing (for seed base, soil characteristics, or nutrients), or roughening surface soils by mechanical methods (including sheepsfoot rolling, track walking, scarifying, stair stepping, and imprinting) to prepare soils for additional BMPs or to break up sheet flow. Soil preparation can also involve tilling topsoil to prepare a seed bed and/or incorporation of soil amendments to enhance vegetative establishment. Various roughening techniques on slopes can result in a significant erosion reduction as compared to smooth slopes.

Limitations:

- Preparation and roughening must take place prior to installing other erosion controls (such as hydraulically applied stabilizers) or sediment controls (such as fiber rolls) on slope faces.
- In cases where slope preparation is minimal, erosion control/revegetation BMPs that do not require extensive soil preparation (such as hydraulic mulching and seeding applications) should be employed.
- Consideration should be given to the type of erosion control BMP that follows surface preparation, as some BMPs are not designed to be installed over various types of tillage/roughening.

When

- Soil preparation is most effective when used in combination with erosion controls. Soil preparation (i.e. tilling, raking, and amendment) is essential to proper vegetative establishment, and suitable in combination with any soil stabilization method, including rolled erosion control products (RECPs) or sod.
- Soil roughening is suitable for use as a complementary process to soil preparation for controlling erosion, and is not intended to be used as a stand-alone BMP. Soil roughening should be used with perimeter controls, additional erosion control measures, grade breaks, and vegetative establishment for maximum effectiveness. Soil roughening is referred to as track walking (sometimes called imprinting) a slope, where treads from heavy equipment run parallel to the slope contours and create terraces. Roughening is intended to only affect surface soils and should not compromise slope stability or overall compaction.

Where Soil preparation should be considered:

- Where vegetation is desired.

Soil roughening should be considered:

- Along any disturbed slopes, including temporary stockpiles, sediment basins, or compacted soil diversion berms and swales.
- Roughening should be used in combination with hydraulically applied stabilization methods, compost blankets, or straw mulch; but should not be used in combination with RECPs or sod because roughening is intended to leave terraces on the slope.

How Minimal materials are required unless amendments and/or seed are added to the soil. Most soil roughening/preparation can be done with standard construction equipment.



How (cont.)

Soil Preparation

- Where appropriate, soil should be prepared to receive the seed by disking or scarifying the surface to eliminate crust, improve air and water infiltration and create a more favorable environment for germination and growth.
- Based on soil testing, apply additional soil amendments (e.g. fertilizers, additional seed) to the soil to help with germination.

Cut Slope Roughening

- Stair-step grade or groove the cut slopes steeper than 1:3 (vertical: horizontal).
- Use stair-step grading on any erodible material soft enough to be ripped with a bulldozer. Slopes consisting of soft rock with some subsoil are well suited to stair-step grading.
- Make the vertical cut distance less than the horizontal distance, and slightly slope the horizontal position of the "step" in toward the vertical wall.
- Do not make individual vertical cuts more than 2 feet or 3 feet high in soft or rock materials, respectively.
- Groove the slope using machinery to create a series of ridges and depressions that run across the slope on the contour.

Fill Slope Roughening

- Place on fill slopes with inclinations steeper than 1:3 (vertical: horizontal) in lifts not to exceed 8 inches, and ensure that each lift is properly compacted.
- Ensure that the slope face consists of loose, uncompacted fill 4 to 6 inches deep.
- Use grooving or tracking to roughen the face of slopes, if necessary.
- Do not blade or scrape the final slope face.

Roughening for Slopes to be Mowed

- Slopes which require mowing should be flatter than 1:3 (vertical: horizontal).
- Roughen these areas to shallow grooves by track walking, scarifying, sheepsfoot rolling, or imprinting. Excessive roughness is undesirable when mowing is planned.
- Space grooves less than 10 inches apart, and not less than 1 inch deep, and perpendicular to the direction of runoff (parallel to the slope contours).

Roughening with Tracked Machinery

- Limit roughening with tracked machinery to soils with a sandy textural component to avoid undue compaction of the soil surface.
- Operate tracked machinery up and down the slope to leave horizontal depressions in the soil. Do not back-blade during the final grading operation.



**How
(cont.)
Maintenance
and
Inspection**

- Seed and mulch roughened areas as soon as possible to obtain optimum seed germination and growth.
- Inspect BMPs prior to and after each storm event, and daily during extended rain events throughout the construction activity (e.g., weekly, or in compliance with the frequency specified in the project specific SWPPP, if applicable). Initiate repairs related to a storm event within 72 hours of identifying the problem or as soon as possible but prior to the next predicted storm event, per the CGP.
- Check the seeded slopes for signs of erosion such as rills and gullies. Fill these areas slightly above original grade, then reseed and mulch as soon as possible.

Pictures



Sheepsfoot used for soil preparation

**Corresponding
CASQA
Fact Sheet**

Fact Sheet EC-15

REFERENCES

CASQA, 2009. California Stormwater Quality Association Stormwater Best Management Practice Handbook Portal: Construction, November 2009. <https://www.casqa.org>.

Sempra Energy, December 2002. Water Quality Construction Best Management Practices Manual.

ATS	Active Treatment Systems
Base	Construction and Operations Center
BFM	Bonded Fiber Matrix
BMP	Best Management Practices
Caltrans	California Department of Transportation
CASQA	California Stormwater Quality Association
CGP	California Construction General Permit
ES	Environmental Standard
ESA	Environmentally Sensitive Area
gpm	Gallons per minute
lb/acre	Pounds per acre
LID	Low Impact Development
NPDES	National Pollutant Discharge Elimination System
RWQCB	Regional Water Quality Control Board - there are nine Water Boards located throughout California that are responsible for enforcing water quality standards within their individual boundaries.
SDG&E	San Diego Gas & Electric
SUSMP	Standard Urban Storm Water Mitigation Plan
SWMP	Storm Water Management Plan
SWPPP	Storm Water Pollution Prevention Plan
SWRCB	State Water Resources Control Board - The State Board is responsible for protecting and preserving water quality and water rights in California.
Watershed	The total land area that contributes water to a river, stream, lake, or other body of water. Synonymous with drainage basin.
WDR	Waste Discharge Requirements

