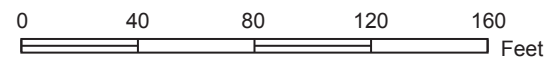
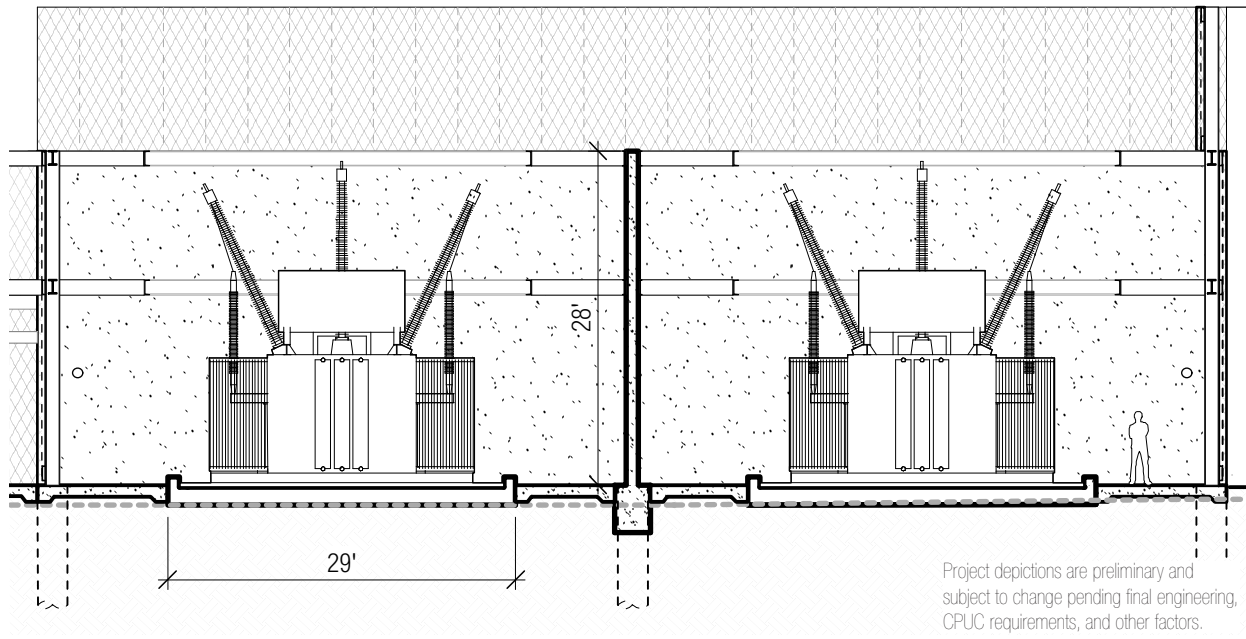


Source: Jenson Architects, 2018.

Figure 2.5-2  
**Proposed Egbert Switching Station  
 Site Plan**

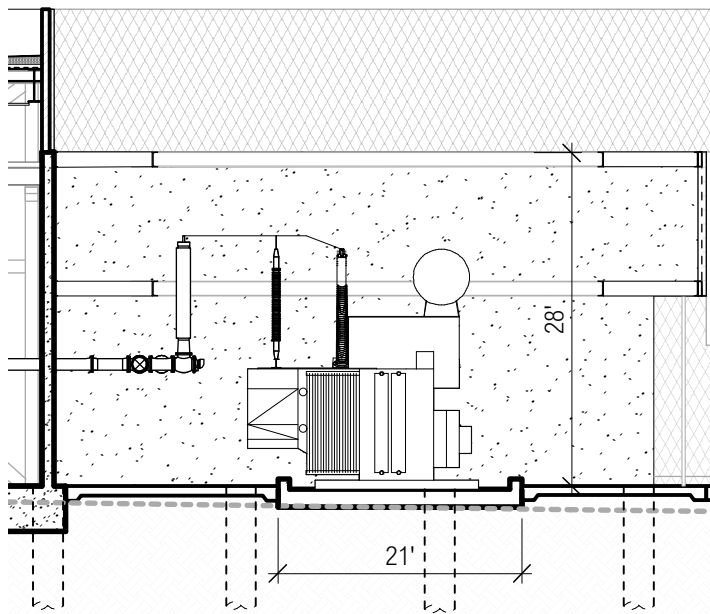
*Egbert Switching Station Project  
 San Francisco, CA*





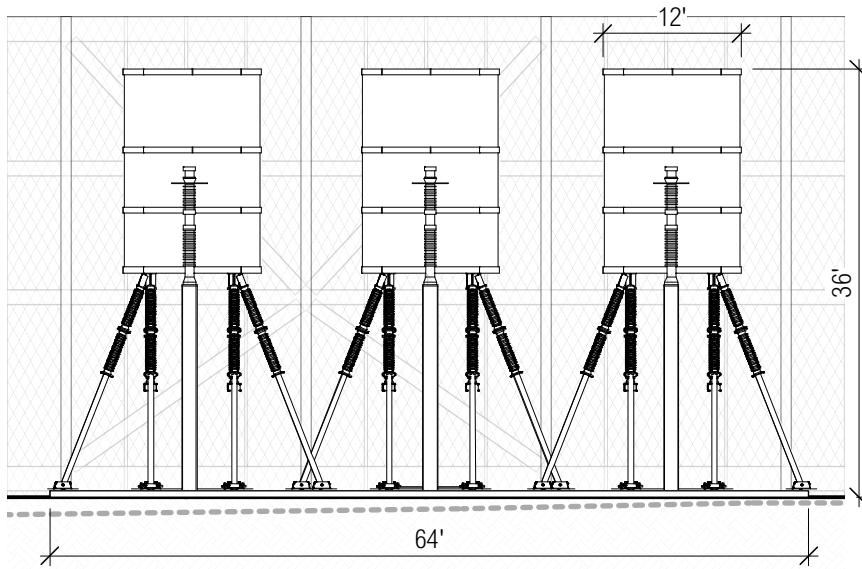
**SHUNT REACTORS FRONT ELEVATION**

Figure 1. Shunt Reactors with shielding walls



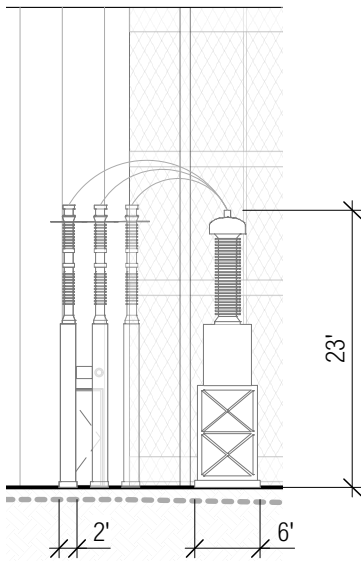
**SHUNT REACTOR SIDE ELEVATION**

Figure 2. Shunt Reactors with shielding walls



**SERIES REACTOR ELEVATION**

Figure 3. Series Reactor, group of 3 in triangular formation



**STATION SERVICE VOLTAGE TRANSFORMER ELEVATION**

Figure 4. Station Service Voltage Transformer (SSVT), total of 3 in line

# AMICO Architectural Series Expanded Mesh APEX Style 03 Aluminum

## PART 1 GENERAL

### 1.1 SCOPE

- A. Supply expanded metal panels utilizing the manufacturers' standard materials.

### 1.2 MATERIAL APPLICATIONS

- A. Select From List

### 1.3 BASE MATERIAL OPTIONS

- A. Aluminum Grade 5005 to ASTM B209

### 1.4 LEED ENVIRONMENTAL CATEGORIES AND CREDITS

- A. Material and Resources
  - 1. MR Credit 4.1 and 4.2 for recycled content
  - 2. MR Credit 5.1 and 5.2 for regional materials
- B. Indoor Environmental Quality
  - 1. EQ Credit 4.1 for Low Emitting Materials
  - 2. EQ Credit 8.1 75-Percent Daylight and Views
  - 3. EQ Credit 8.2 90-Percent Daylight and Views
- C. Innovation in Design Credit 1.1
- D. Energy and Atmosphere
  - 1. EA Credit 1 Optimized Energy Performance

## PART 2 PRODUCTS

### 2.1 MANUFACTURER

- A. Basis of Design: Expanded Meshes and attachment brackets are produced and distributed by Alabama Metal Industries Corporation, AMICO; 1080 Corporate Dr., Burlington, Ontario L7L 5R6; Attn: Phil Shevchenko; Telephone 800/663-4474 or email pshevchenko@gibraltar1.com .

### 2.2 MATERIALS

- B. Mesh Description: AMICO APEX 03 Aluminum

### 2.3 ATTACHMENT HARDWARE

- A. Fasteners shall vary by end use. Contact AMICO 800/366-2642 for attachment recommendations.

### 2.4 FINISH SELECTION

- A. Select From List
  
- B. Custom color shall be:  
Select From List

## PART 3 EXECUTION

### 3.1 INSTALLATION

- A. Refer to AMICO, Phil Shevchenko telephone direct line 289/313-2211 for application specific installation recommendations.

Table 1. *Select material thickness and enter the panel dimensions in the table below.*

Product Submitted	Material Thickness	Opening Dimensions	Overall Thickness	Percent Open Area	Mill Finish Weight per ft. <sup>2</sup>	Panel Dimensions Max. of 60" x 120"
	0.125"	1-13/16" x 4-1/2"	1-1/16"	24%	1.350 lbs.	Type in Size

## EXPANDED METAL MESH SPECIFICATIONS

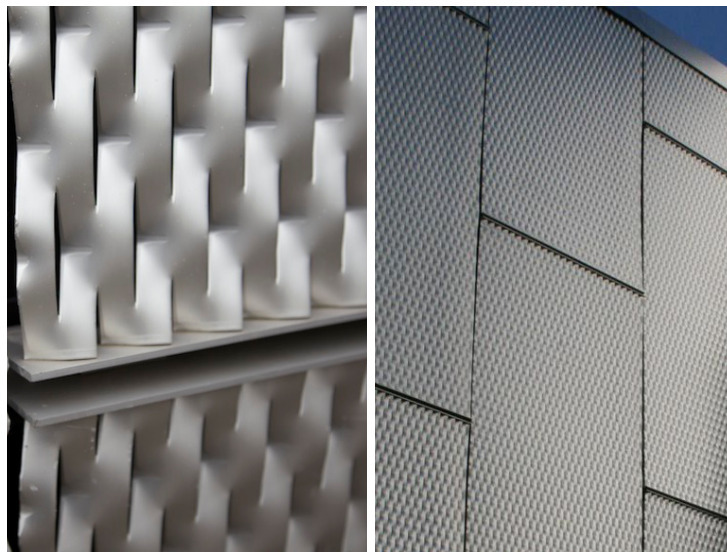


Figure 5. Sample images of Expanded Metal Mesh

## PERIMETER FENCE/WALL HEIGHT

North / East = 12'-0"  
South / West = 40'-0"



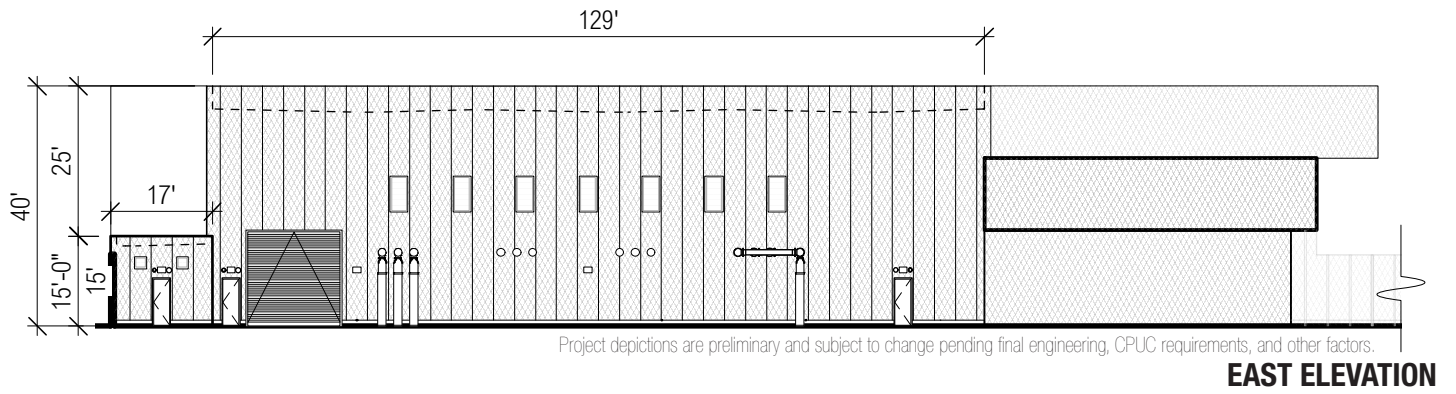


Figure 6. East elevation; steel structure, insulated metal panels, expanded metal mesh

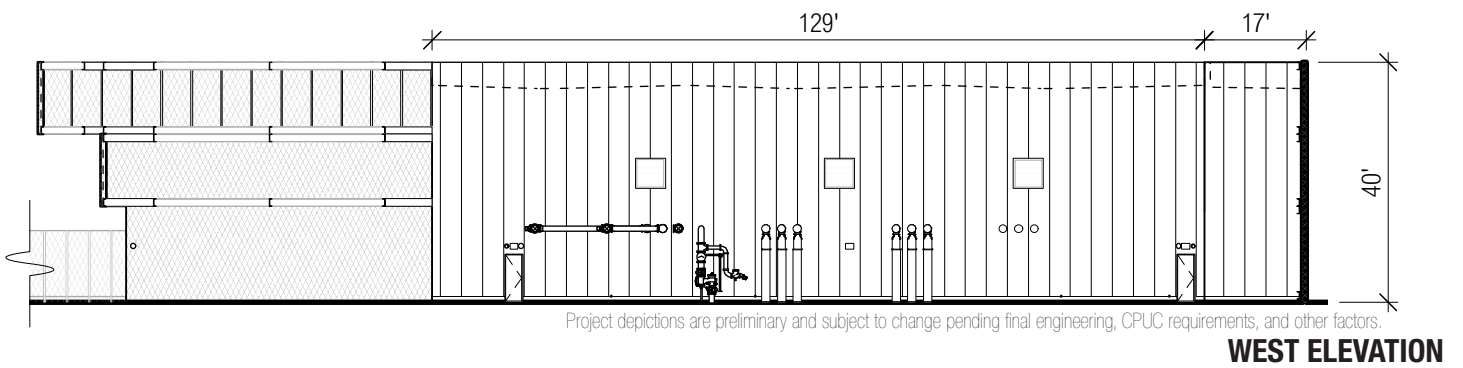


Figure 7. West elevation; steel structure, insulated metal panels

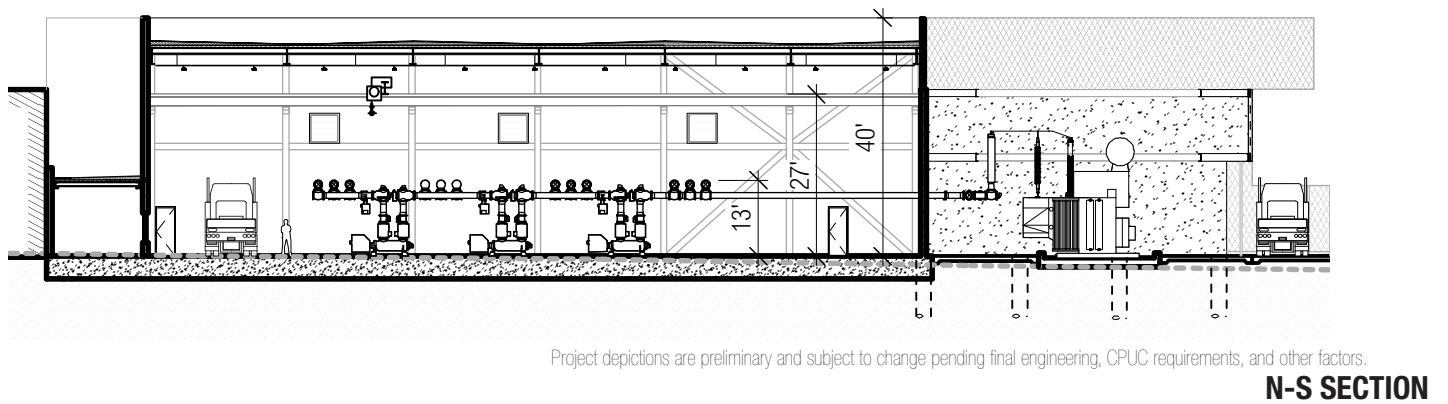


Figure 8. The building houses G.I.S., MPAC, Battery Room equipment and panels; motorized overhead gantry and crane installed at 27' high; 1' thick concrete wall between G.I.S. and Shunt Reactors.