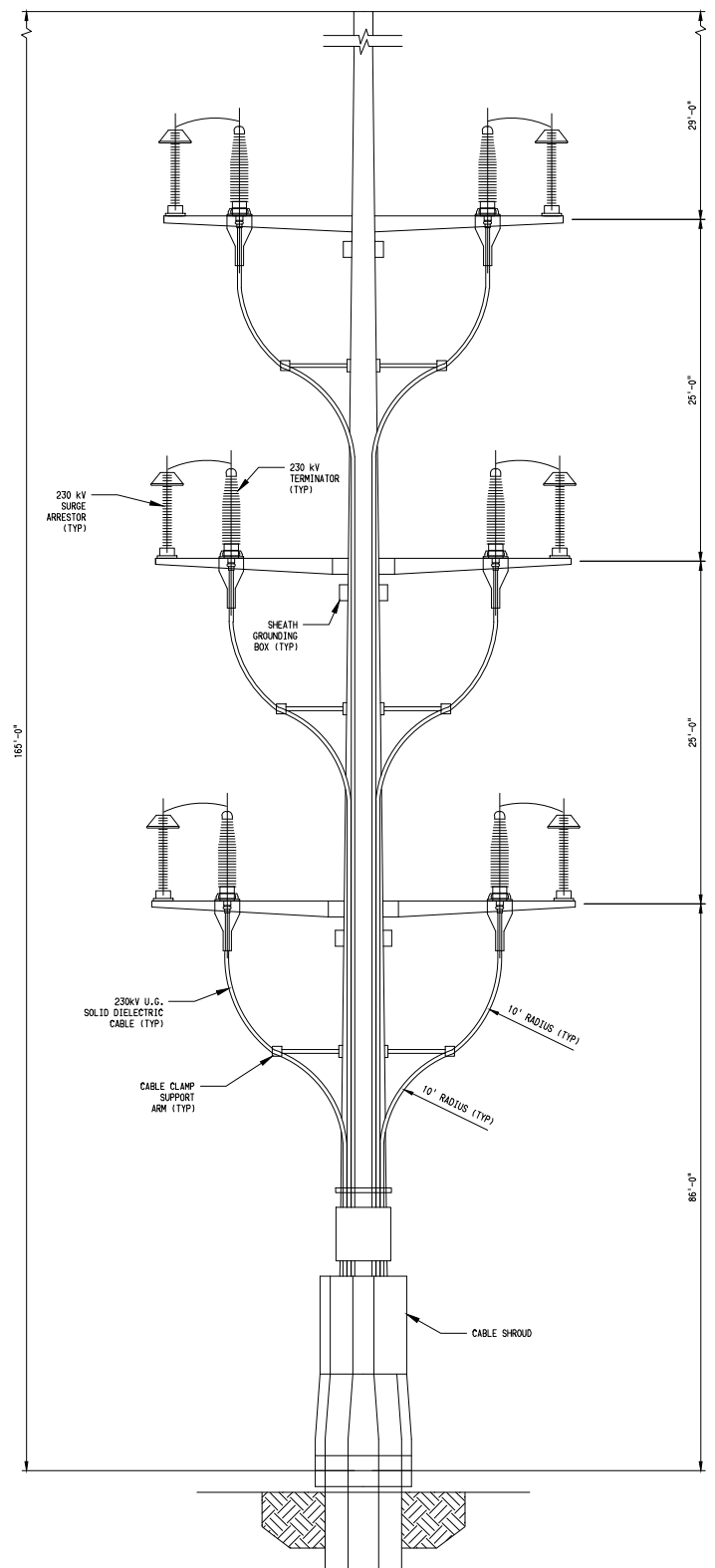
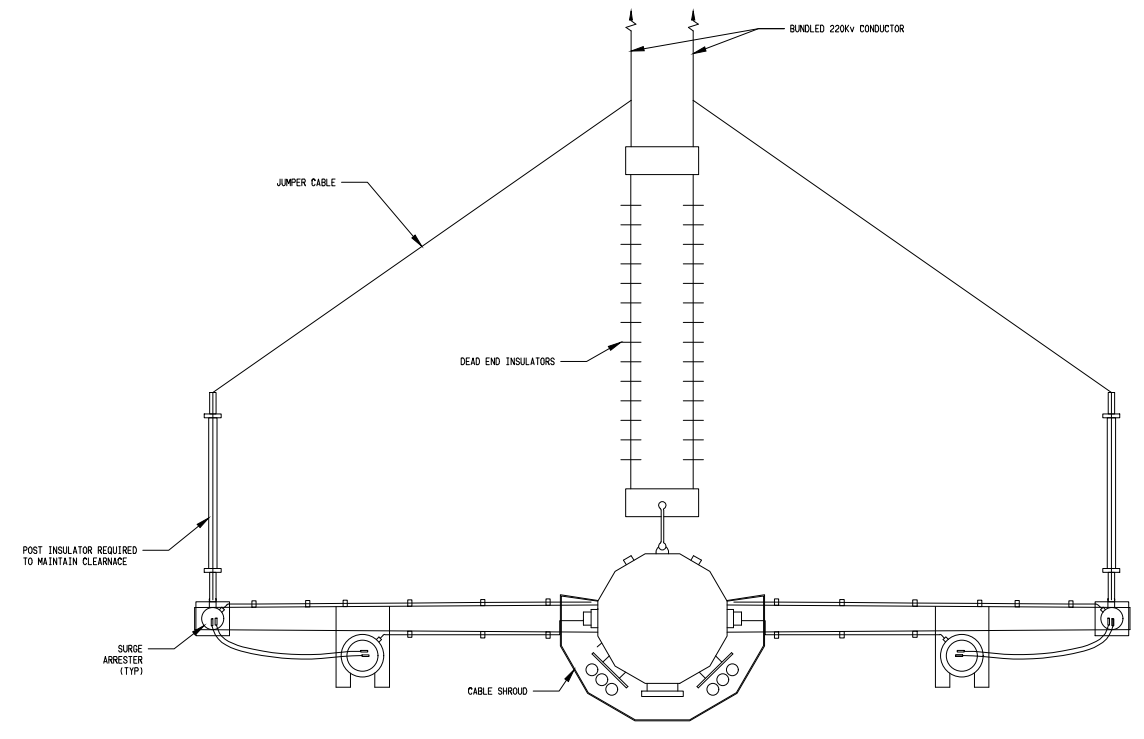


LONGITUDINAL VIEW
NOT TO SCALE



TRANSVERSE VIEW
NOT TO SCALE

CONCEPTUAL DESIGN OF 220KV RISER TUBULAR STEEL POLE. DIMENSIONS AND ARRANGEMENT SUBJECT TO FINAL ENGINEERING.



TYPICAL 220 KV CONDUCTOR PLAN VIEW
NOT TO SCALE

* REVISE ON AUTOCAD SYSTEM ONLY *

REFERENCE DRAWINGS	REFERENCE DRAWINGS	NO.	REVISIONS	DATE	SAP NO	SUPV	APPROVED	ENGR	CK'D	MADE	P.E.	NO.	REVISIONS	DATE	SAP NO	SUPV	APPROVED	ENGR	CK'D	MADE	P.E.	

LOCATION: RTP U.G. STUDY

RTP CONCEPTUAL 230KV RISER TUBULAR STEEL POLE DESIGN

EDISON An EDISON INTERNATIONAL Company

SHEET NO. _____

SCALE: _____

OF _____ SHTS.