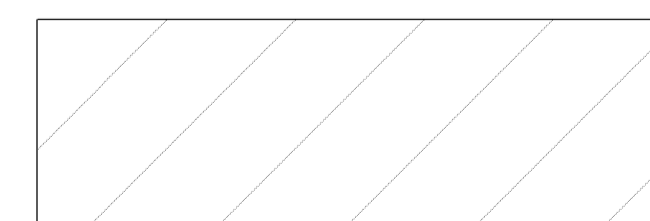
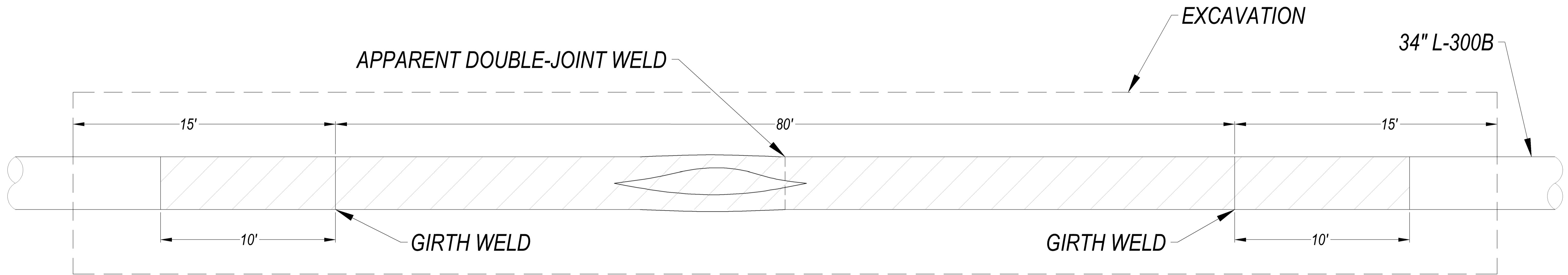
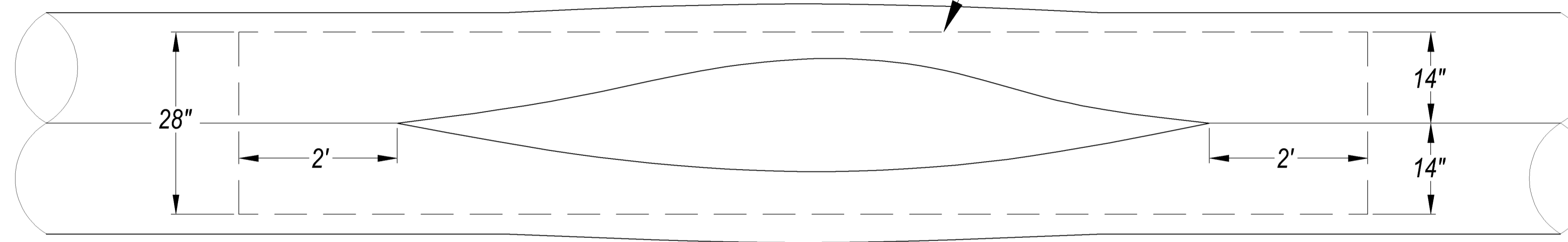


T-117

CUT OUT QUADRANT CONTAINING FAILURE  
(CENTERED IN CUT-OUT) FROM 2' BEYOND  
EXTENT OF FAILURE EACH WAY



= REPLACE WITH 34.00"OD x 0.375"WT,  
API 5L, X-65 PIPE (M011067)