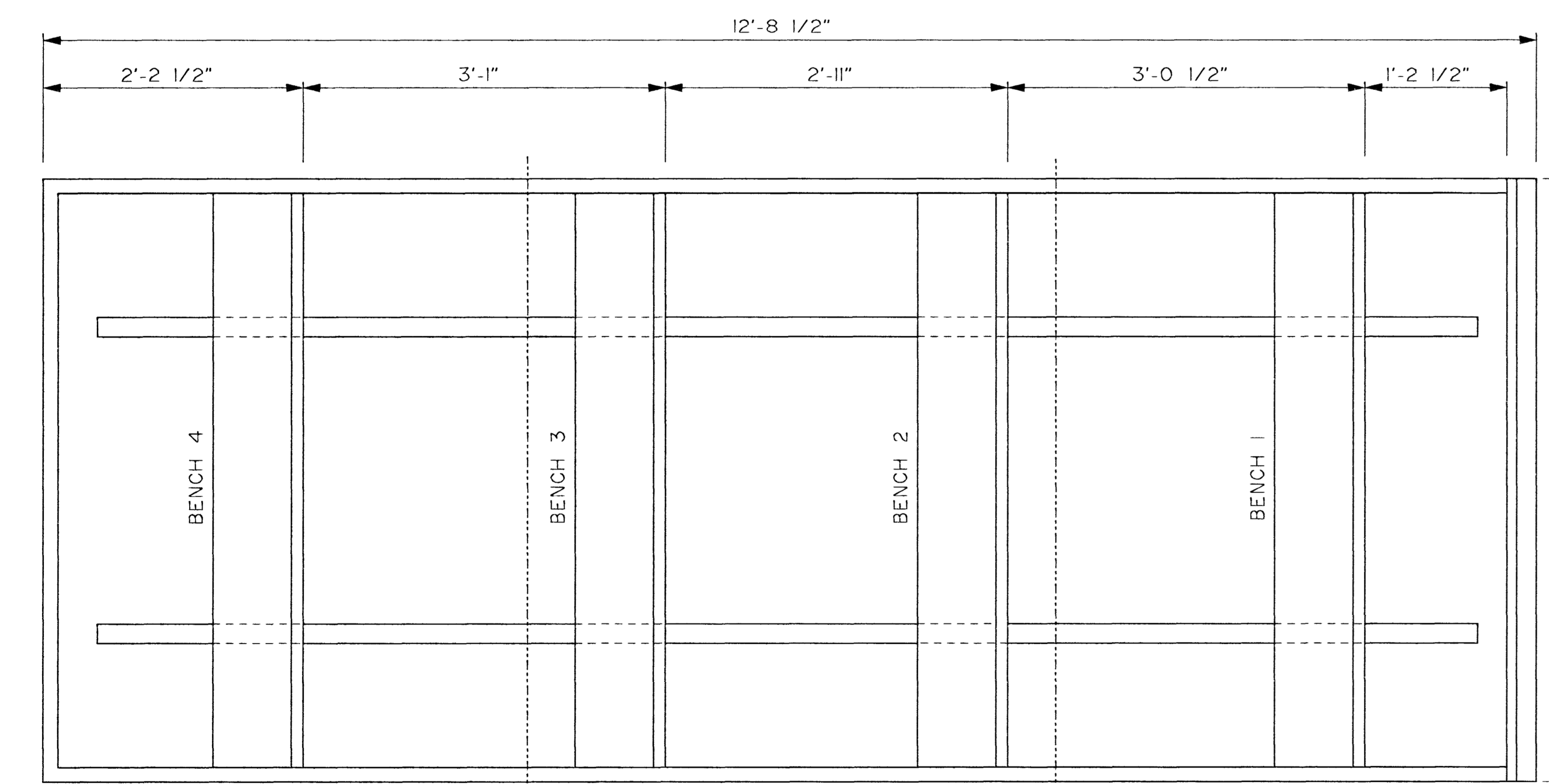


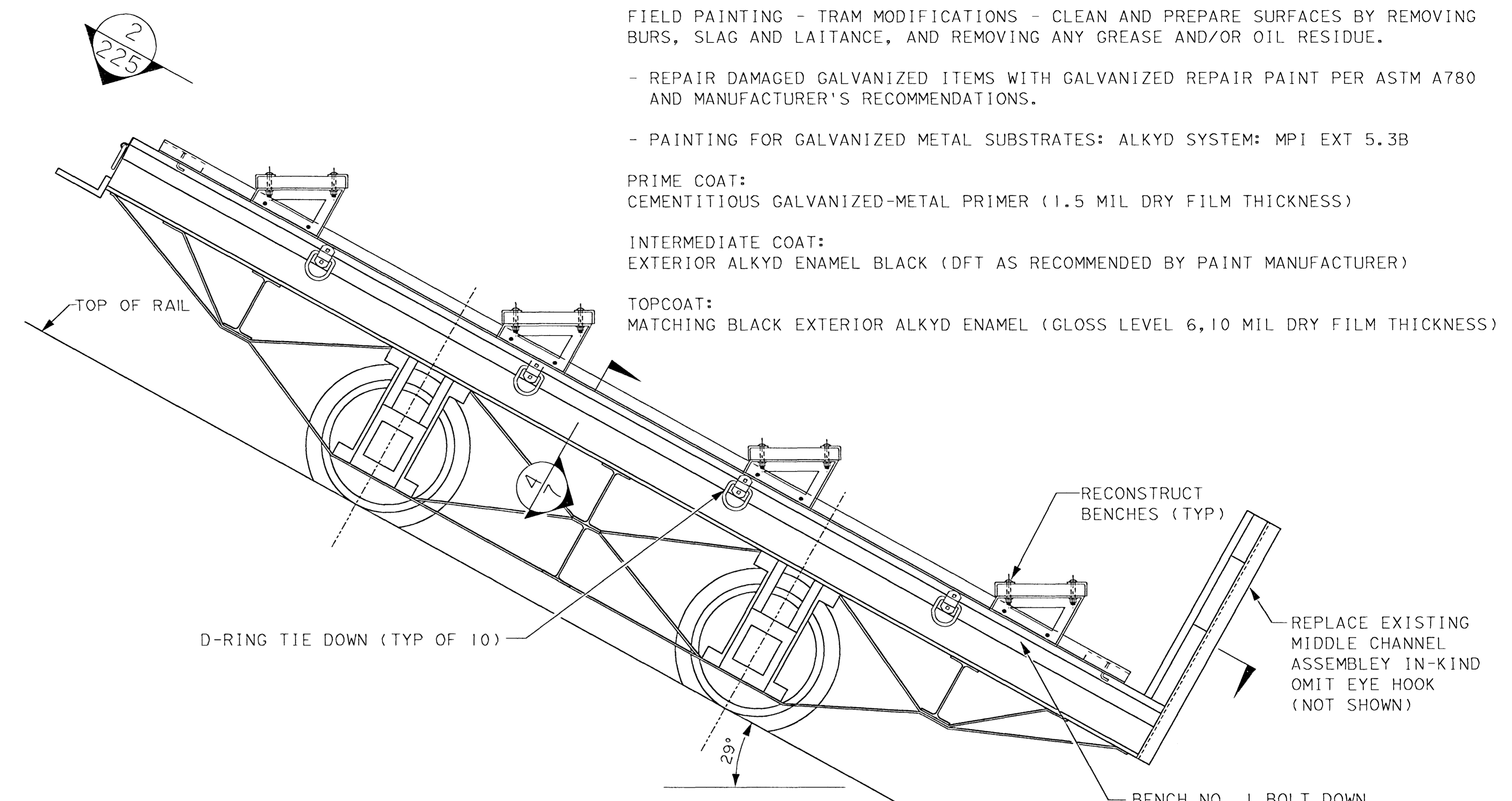
EXISTING TRAM ELEVATION
NTS



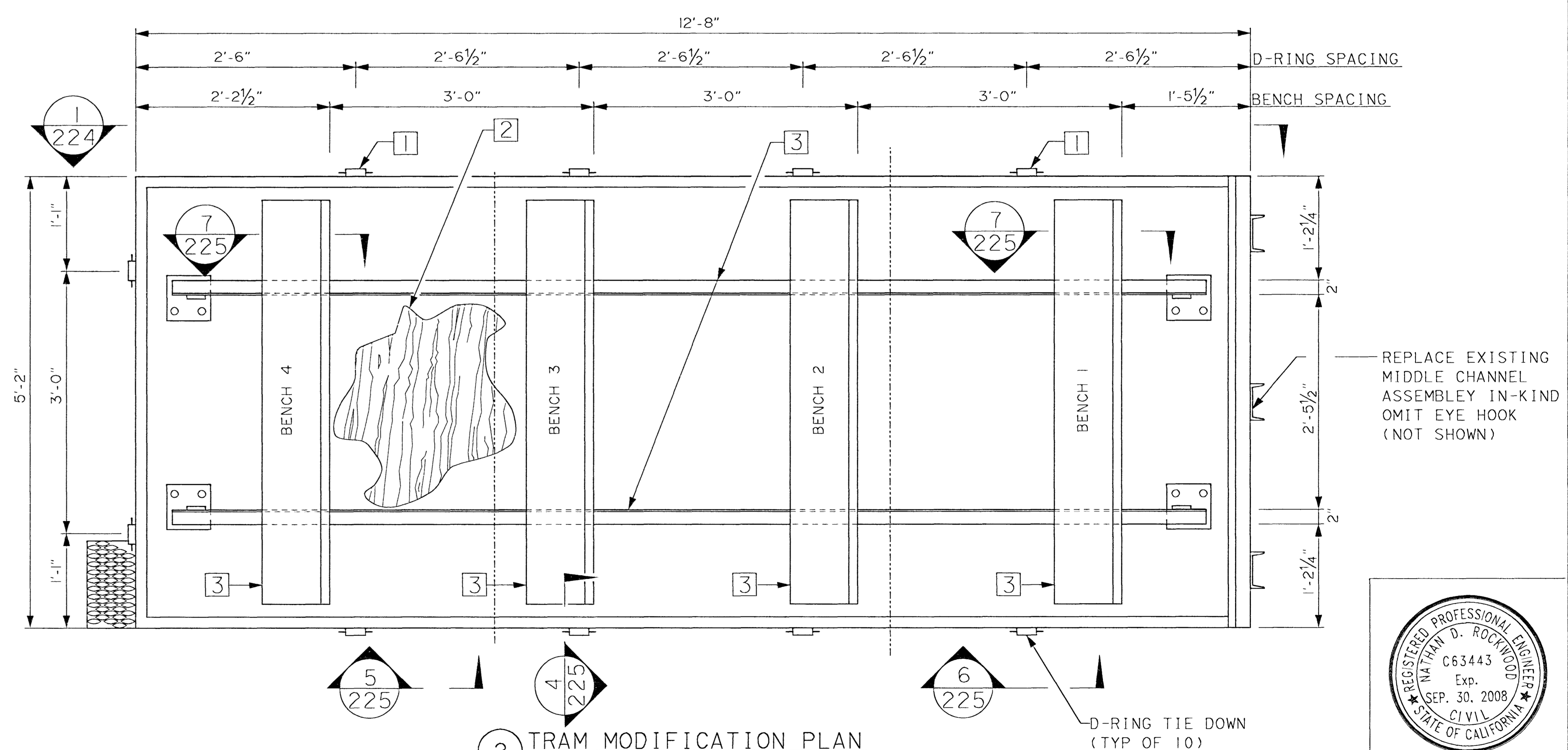
EXISTING TRAM PLAN
NTS

BOX NOTES

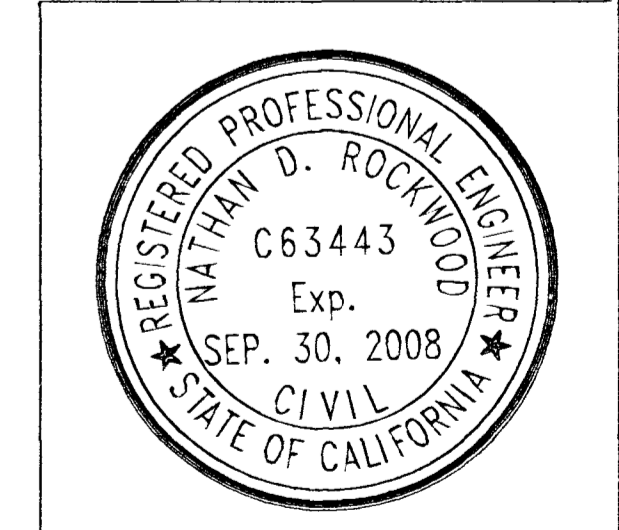
- 1 WELD HEAVY DUTY D-RINGS TO TRAM CAR FRAME FOR SECURING CARGO, REF DETAIL 6/7 TYP.
- 2 REPLACE DECKING WITH 1-INCH MDF. TO FIT UNDER TRAM CAR FRAME LIP. SPRAY WITH NON-SLIP OUTDOOR TEXTURE SURFACE. PRODUCT TO BE RHINO-LINING OR PG&E APPROVED EQUAL.
- 3 BENCH SEAT ASSEMBLY, WITH L2x2x1/4 RUNNERS TO BE REMOVABLE IN ONE ASSEMBLY. BENCH NO. 1 TO BE REMOVABLE FROM RUNNERS. SECURE RUNNERS WITH 1/2" DIA BOLTS THROUGH TRAM DECK AT LOCATIONS SHOWN.



TRAM MODIFICATION ELEVATION
NTS



TRAM MODIFICATION PLAN
NTS



REV	DATE	DESCRIPTION	JOB NO	DSG/DWN	CHKD	SUPV	APVD
2	6/3/09	AS BUILT DRAWINGS					

REVISION 1
 DSG: N. ROCKWOOD
 DWN: S. MATHEW
 CHKD: S. MATHEW
 SUPV: S. MATHEW
 APVD: S. MATHEW
 DATE: 08/23/2007

CIVIL
 TRAM MODIFICATION PLANS AND ELEVATIONS
 SPAULDING POWERHOUSE
 TRAM SAFETY IMPROVEMENTS PROJECT

HYDRO GENERATION DEPARTMENT
 PACIFIC GAS AND ELECTRIC COMPANY
 SAN FRANCISCO, CALIFORNIA

MICROFILM	
BILL OF MATL.	
DWG LIST	055 013
SUPSDS	
SUPSD BY	
SHEET NO 6 OF 12 SHEETS	
393224	REV 2