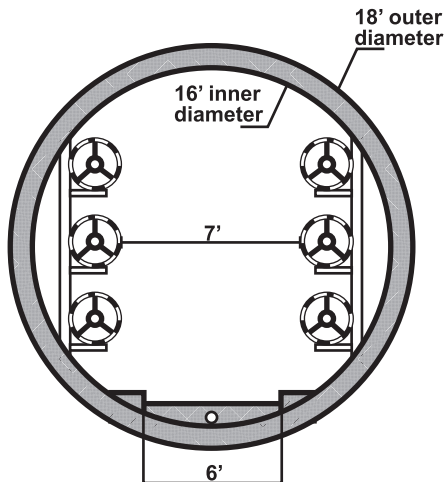
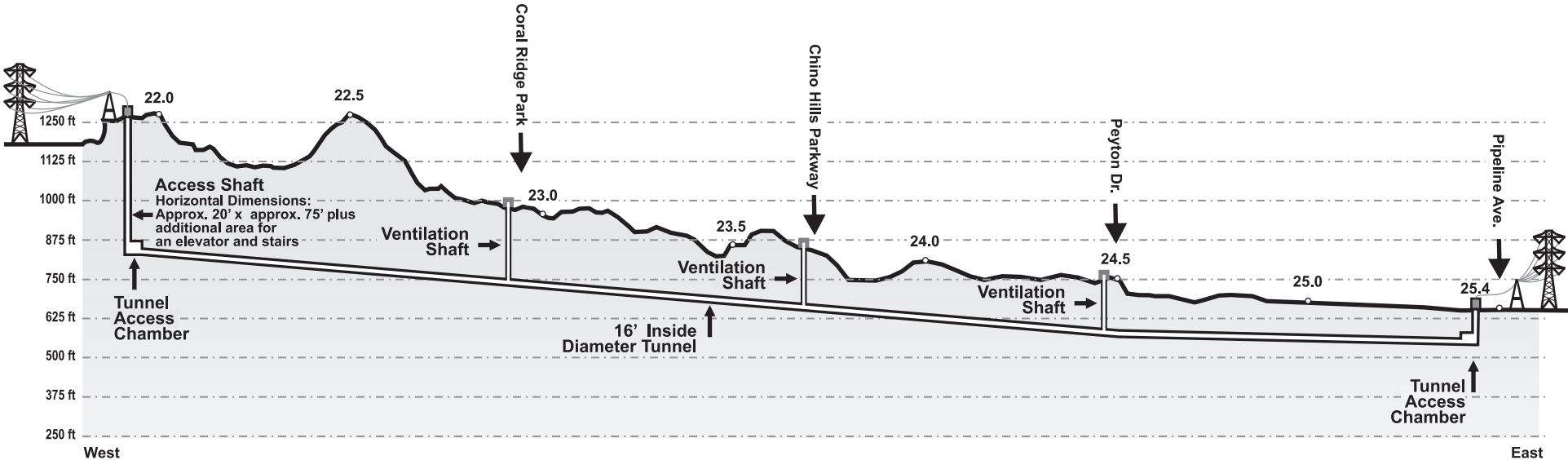


Segment 8A MP 21.8 to 25.4



Note: Not to Scale



Figure 2.5-5
 Partial Underground -
 Side Elevation Along Segment 8A