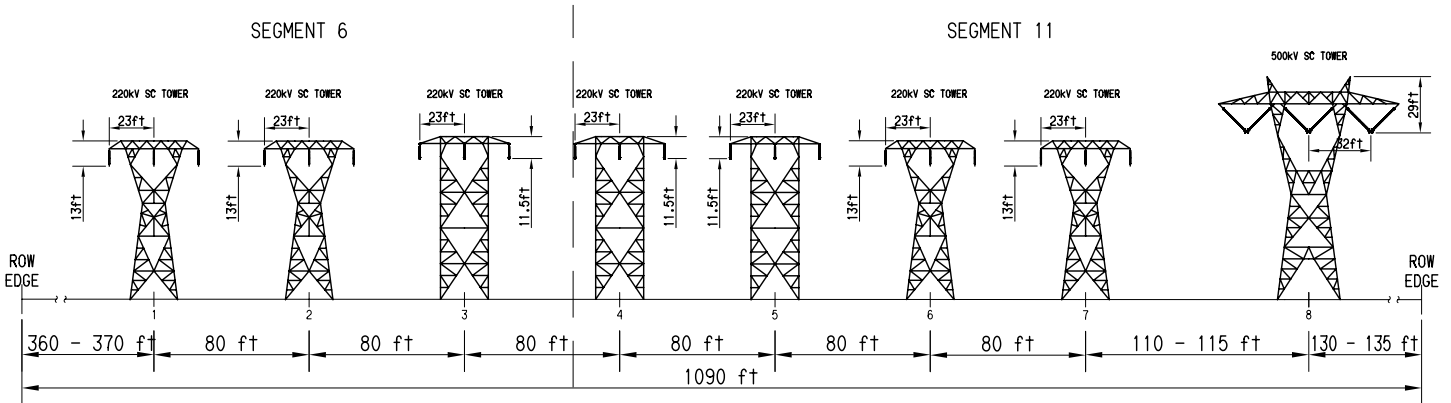


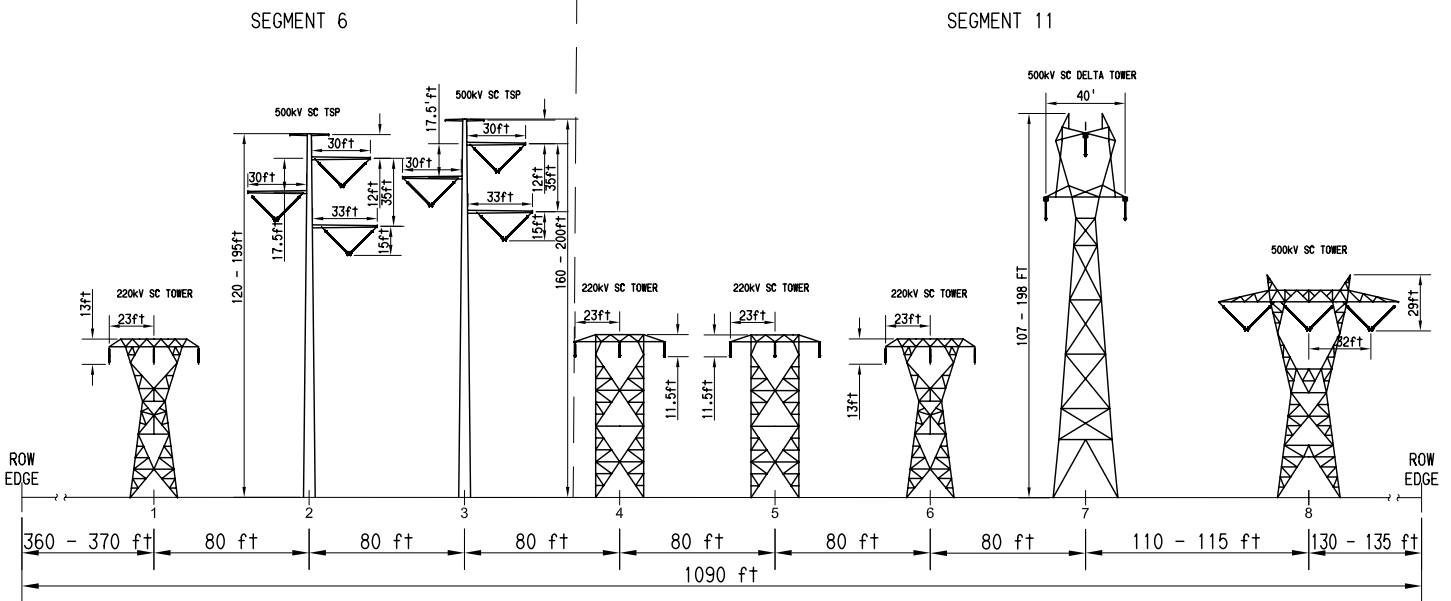
EXISTING ROW

FACING SOUTH



FUTURE ROW

FACING SOUTH



NOTE:  
This drawing represents potential changes  
between existing and future ROW cross sections.

Source: SCE, 2007c.



Figure 2.2-10  
Segment 6 ROW Cross-Section  
(S6 MP 0.0 to S6 MP 0.8)