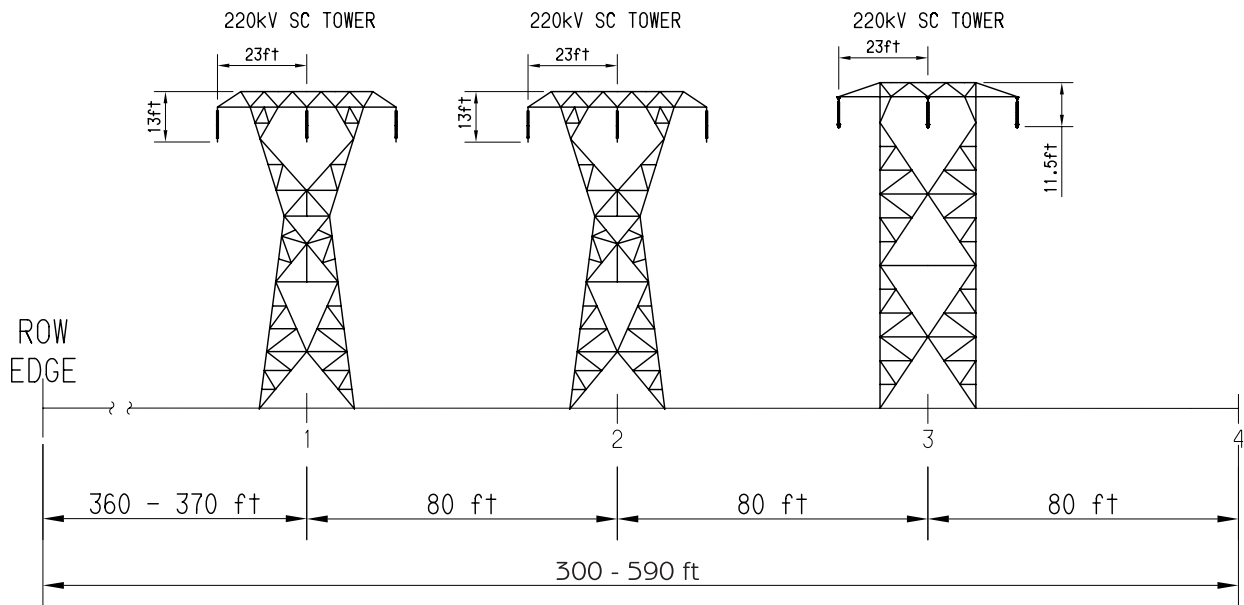
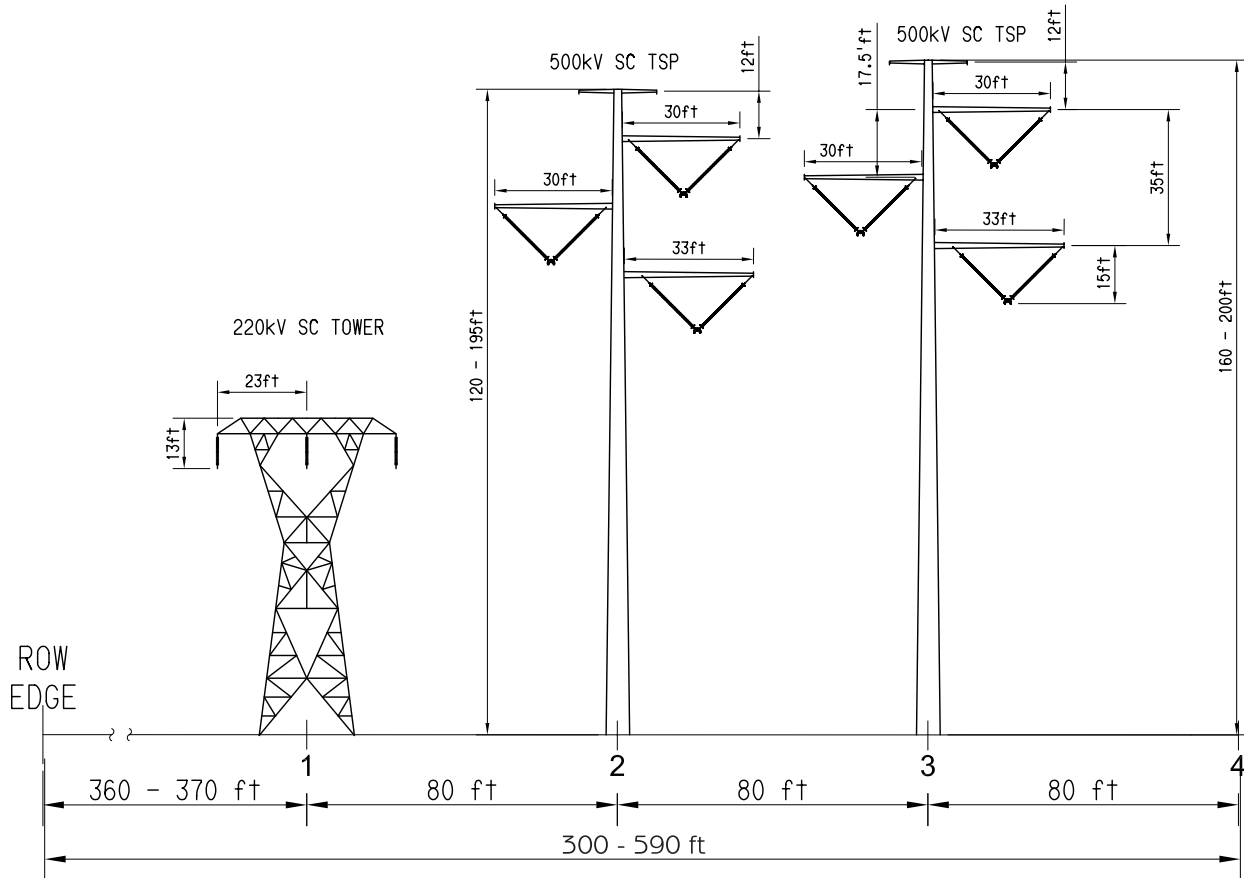


EXISTING ROW



FUTURE ROW



NOTE:  
 This drawing represents potential changes  
 between existing and future ROW cross sections.

Source: SCE, 2007c.

Figure 2.2-11  
 Segment 6 ROW Cross-Section  
 (S6 MP 0.8 to S6 MP 2.2)