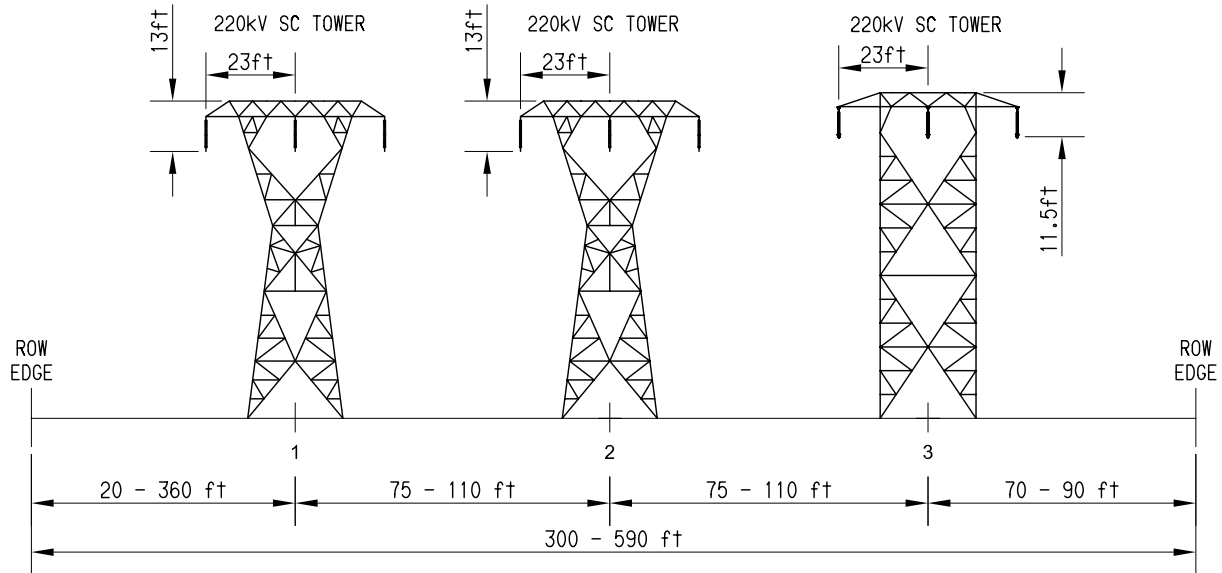


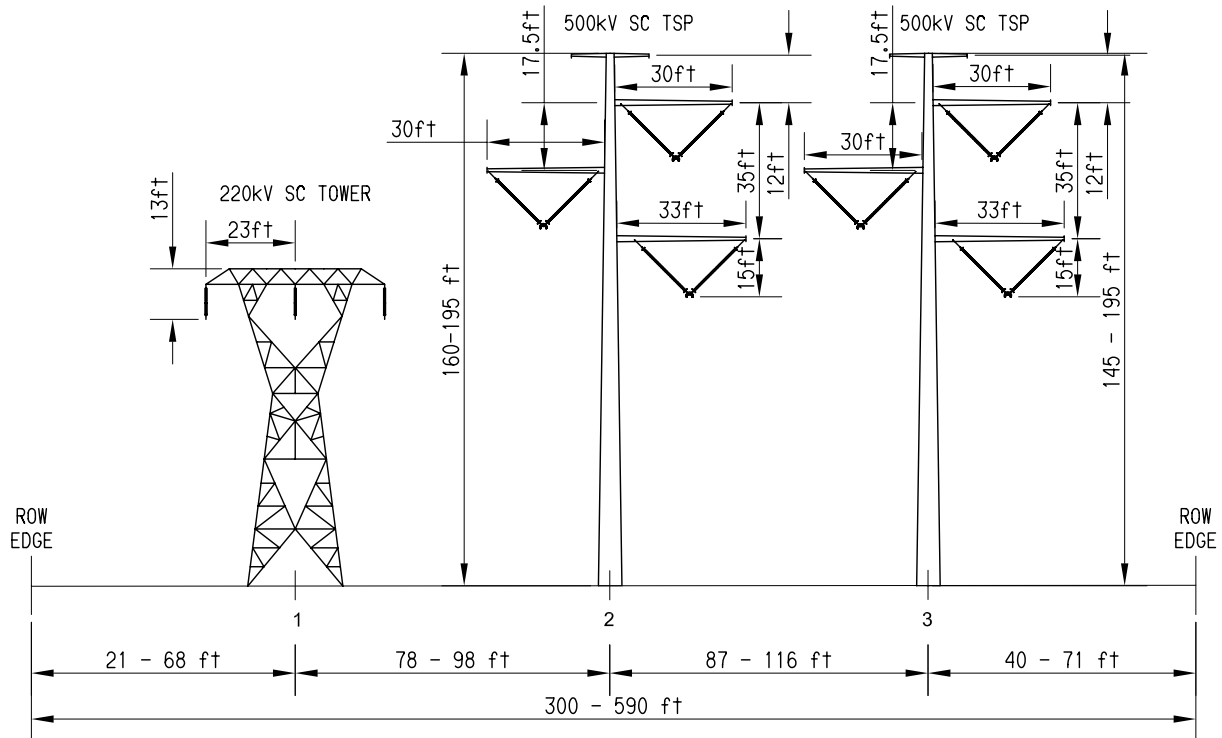
EXISTING ROW

FACING SOUTH



FUTURE ROW

FACING SOUTH



Source: SCE, 2007c.



NOTE:  
 This drawing represents potential changes  
 between existing and future ROW cross sections.

Figure 2.2-13  
 Segment 6 ROW Cross-Section  
 (S6 MP 2.45 to S6 MP 3.25)