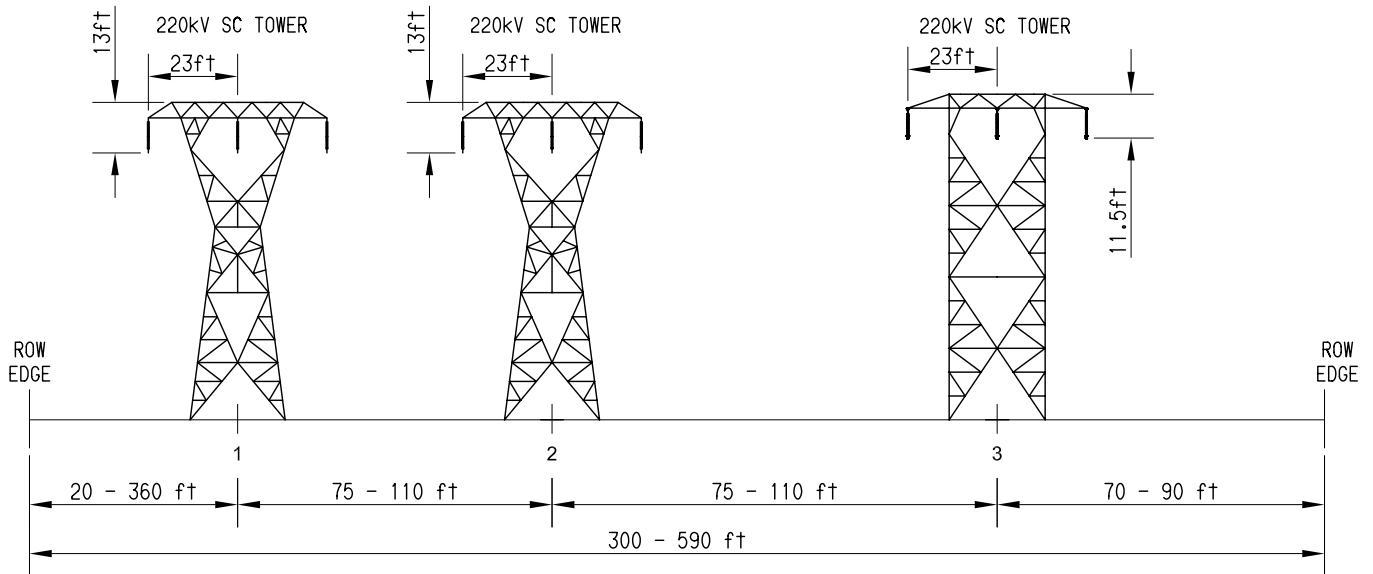


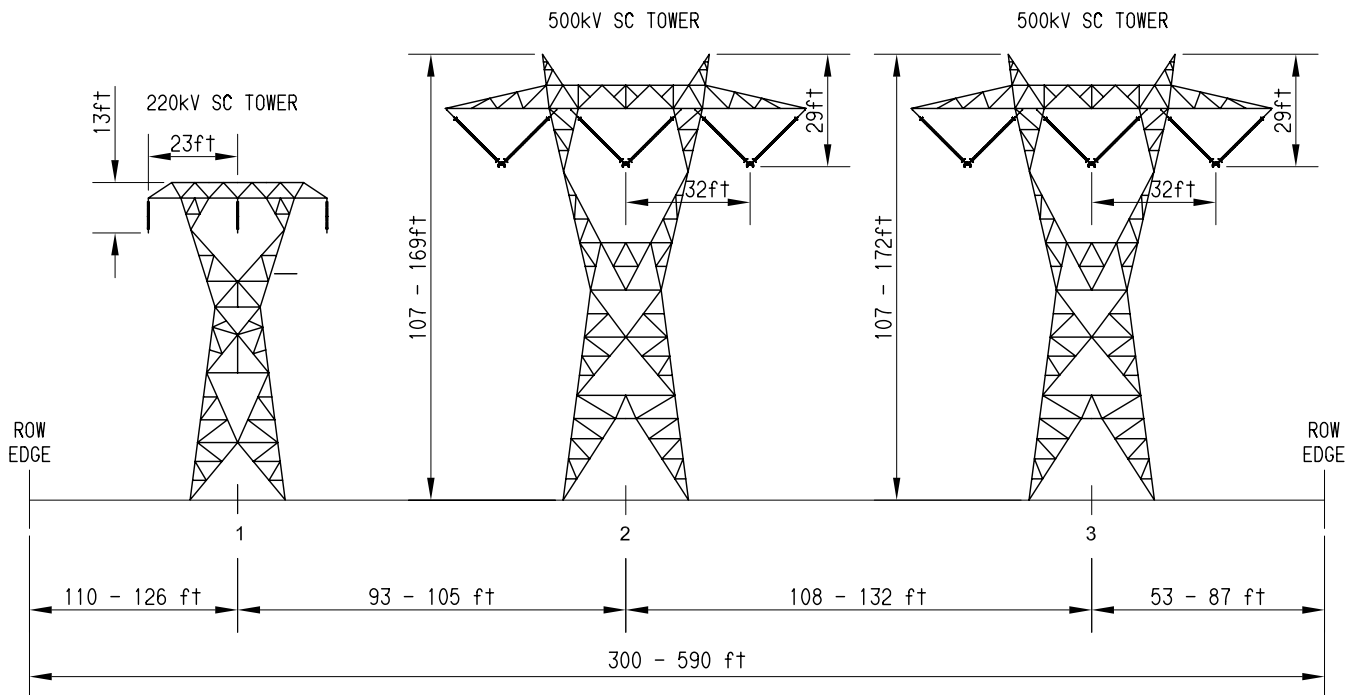
EXISTING ROW

FACING SOUTH



FUTURE ROW

FACING SOUTH



Source: SCE, 2007c.



NOTE:  
 This drawing represents potential changes  
 between existing and future ROW cross sections.

**Figure 2.2-14**  
**Segment 6 ROW Cross-Section**  
**(S6 MP 3.25 to S6 MP 4.8)**