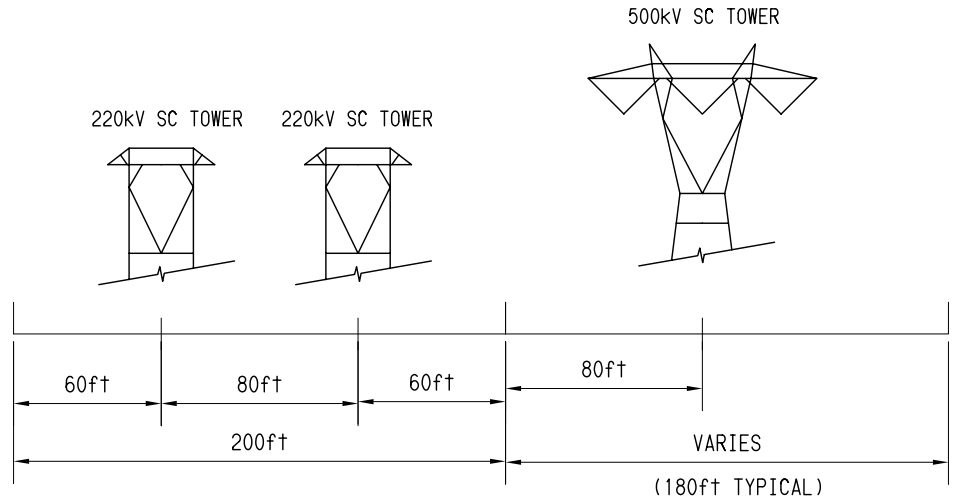
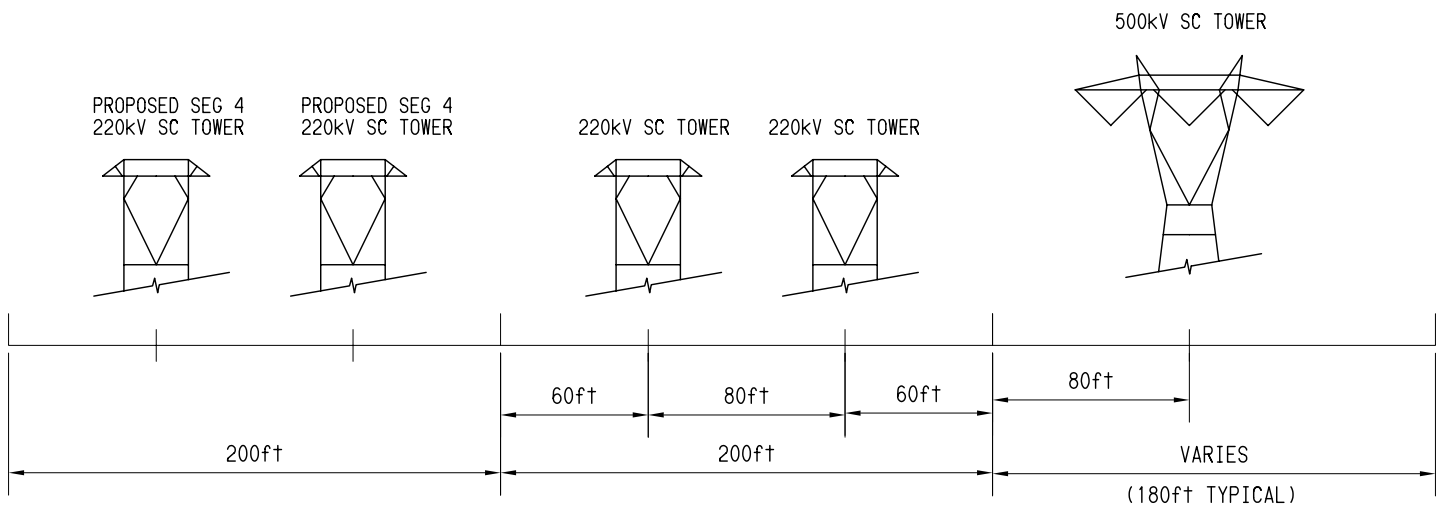


EXISTING ROW  
 FACING SOUTH



FUTURE ROW  
 FACING SOUTH



NOTE:  
 This drawing represents potential changes  
 between existing and future ROW cross sections.

Source: SCE, 2007c.

**Figure 2.2-2**  
**Segment 4 ROW Cross-Section**  
**(S4 MP 0.0 to S4 MP 5.1)**

