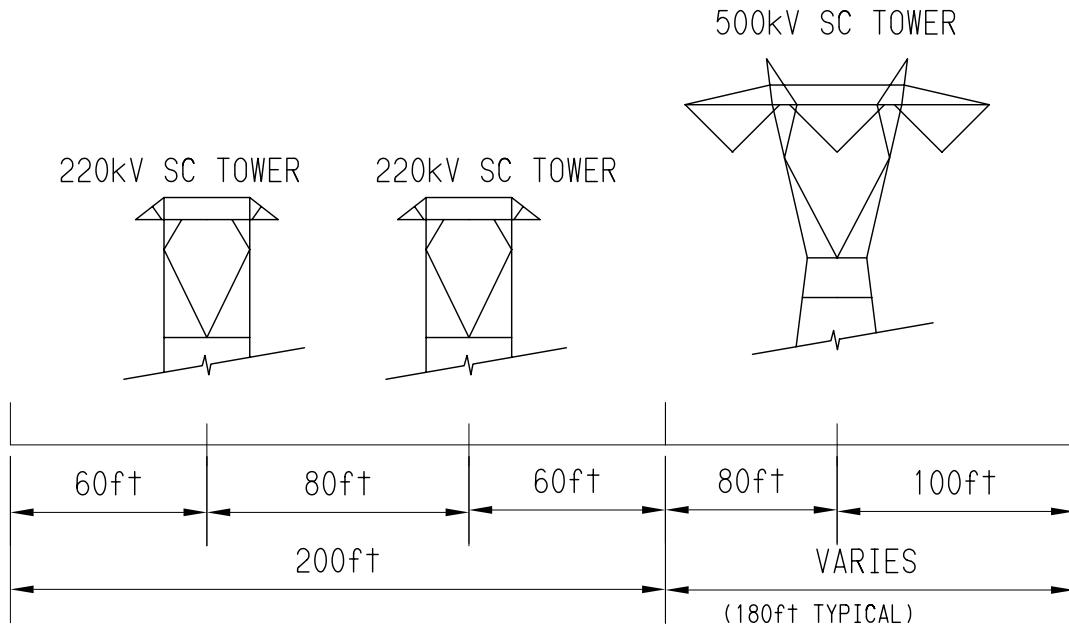


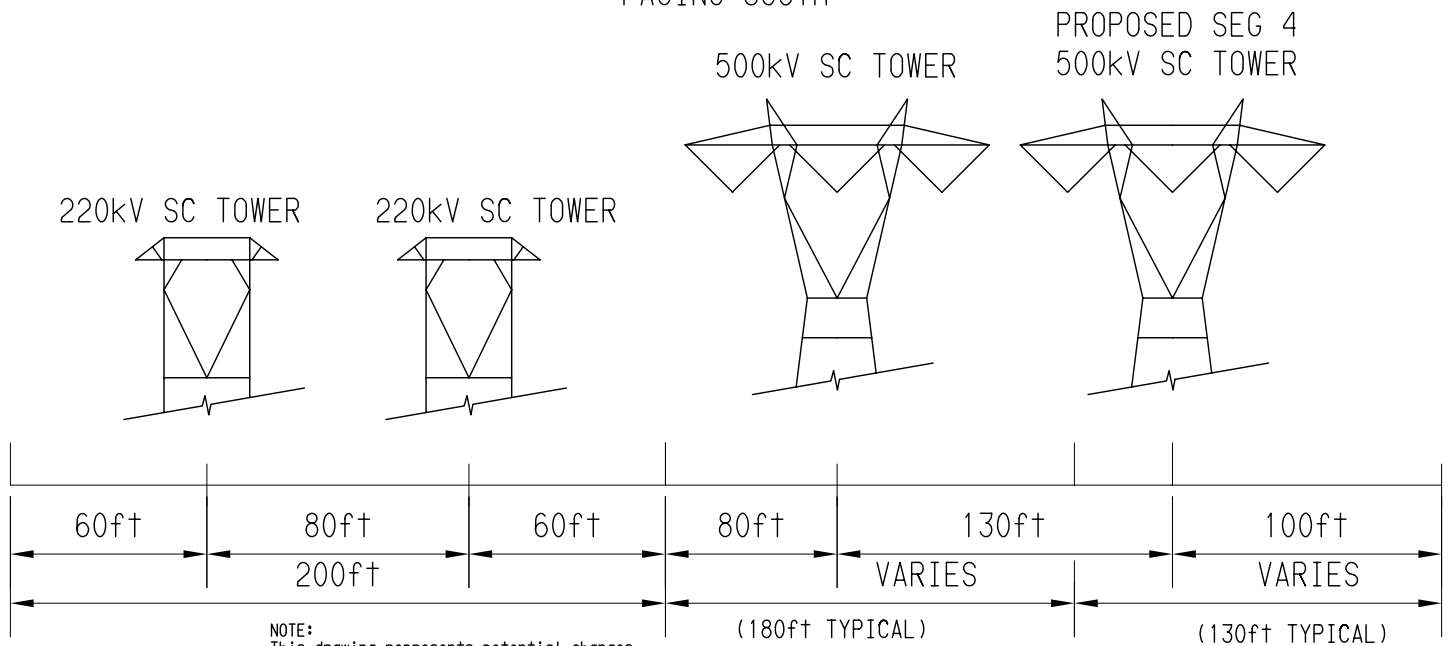
# EXISTING ROW

FACING SOUTH



# FUTURE ROW

FACING SOUTH



NOTE:  
 This drawing represents potential changes  
 between existing and future ROW cross sections.

Source: SCE, 2007c.



**Figure 2.2-3**  
**Segment 4 ROW Cross-Section**  
**(Northern Portion)**