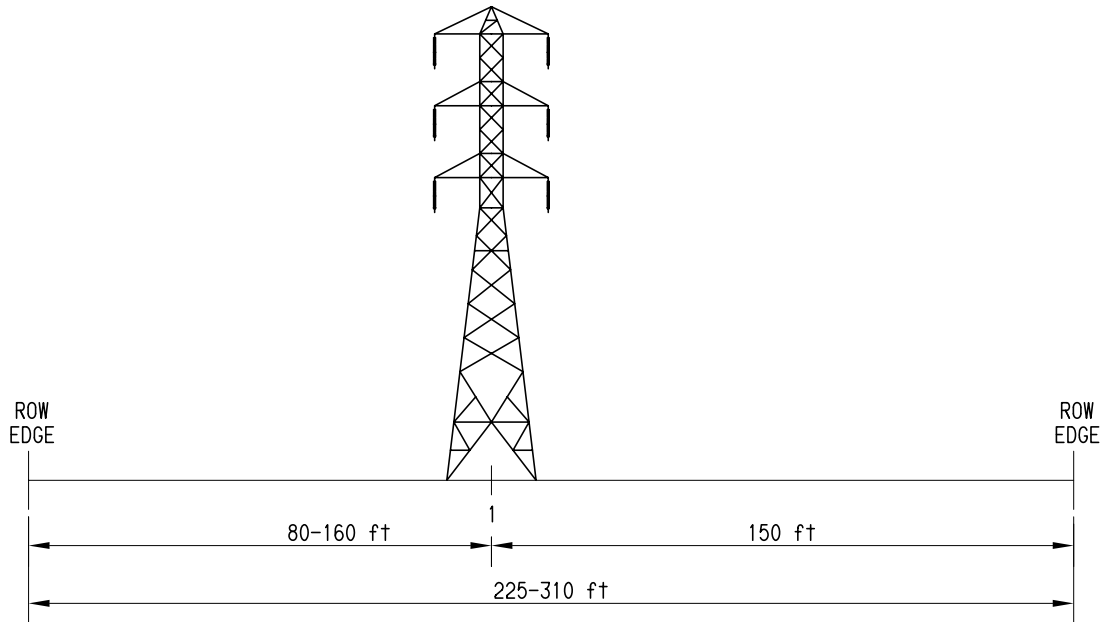


EXISTING ROW

FACING EAST

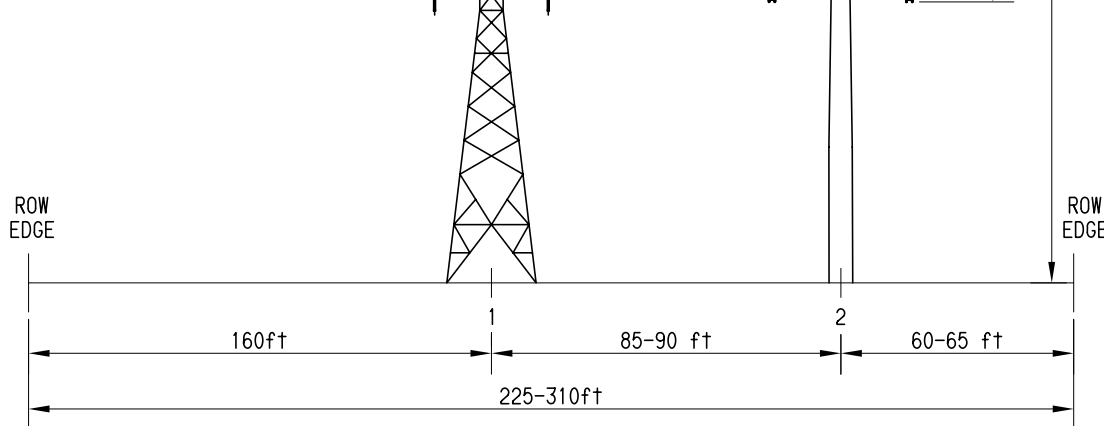
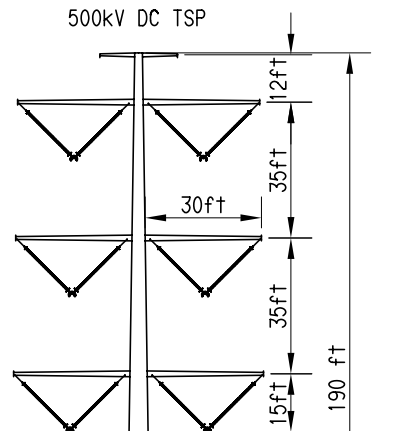
TYPICAL 220kV DC TOWER



FUTURE ROW

FACING EAST

TYPICAL 220kV DC TOWER



Source: SCE, 2007d.



NOTE:  
 This drawing represents potential changes  
 between existing and future ROW cross sections.

**Figure 2.2-35**  
**Segment 8 ROW Cross-Section**  
**(S8A MP 9.5 to S8A MP 11.2)**