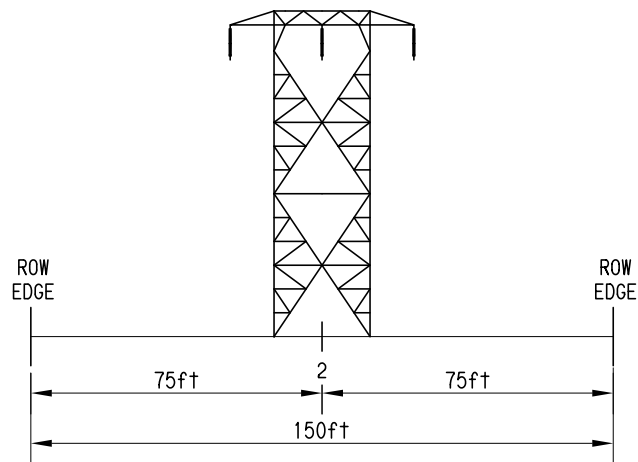


EXISTING ROW

FACING EAST

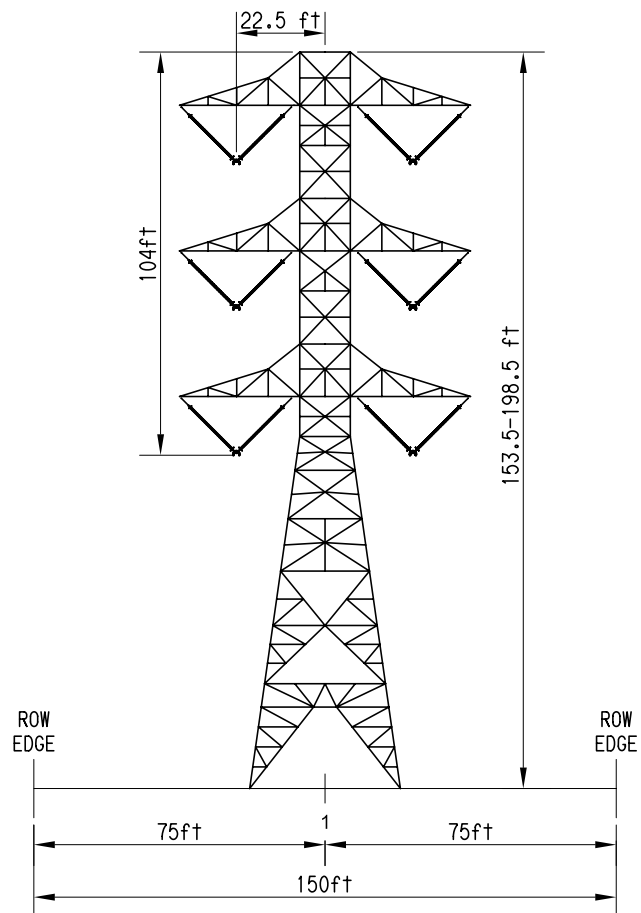
220kV SC TOWER



FUTURE ROW

FACING EAST

500kV DC DHT TOWER



Source: SCE, 2007d.



NOTE:  
 This drawing represents potential changes  
 between existing and future ROW cross sections.

**Figure 2.2-40**  
**Segment 8 ROW Cross-Section**  
**(S8A MP 19.2 to S8A MP 22.9)**