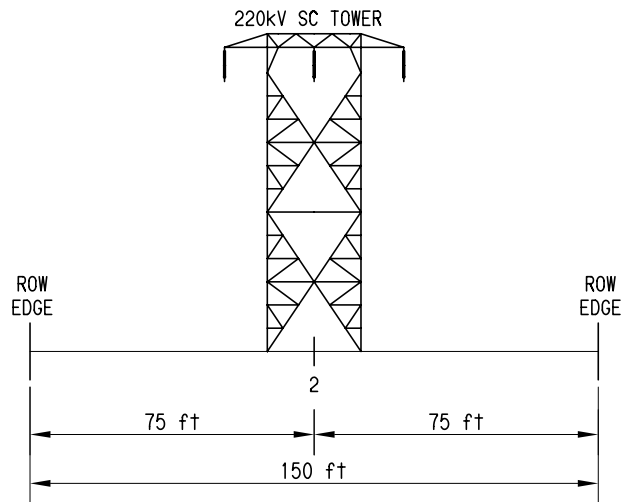
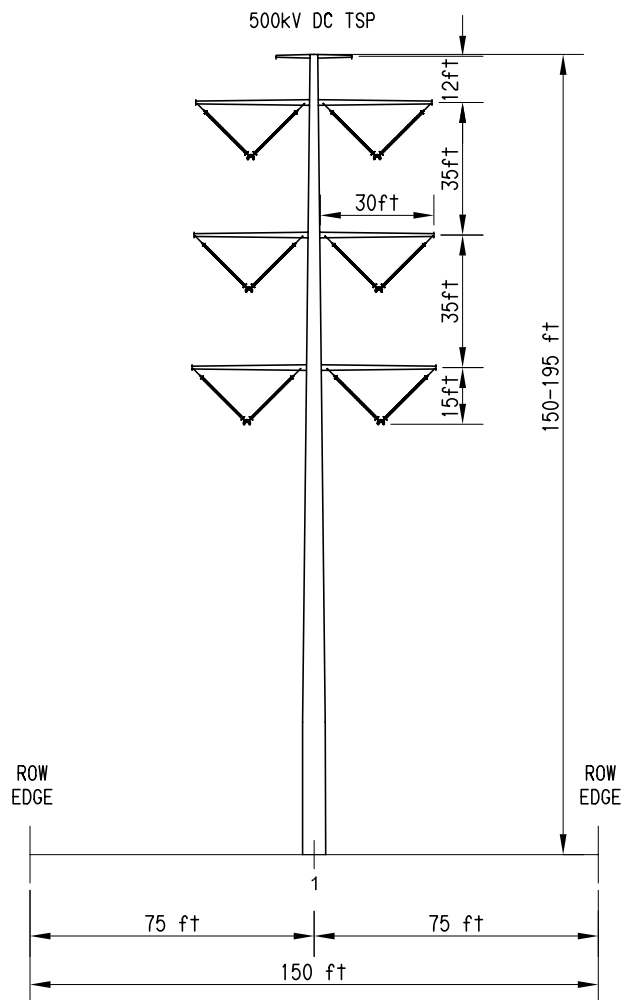


EXISTING ROW
 FACING EAST



FUTURE ROW
 FACING EAST



Source: SCE, 2007d.



NOTE:
 This drawing represents potential changes
 between existing and future ROW cross sections.

Figure 2.2-41
Segment 8 ROW Cross-Section
(S8A MP 22.9 to S8A MP 26.4)