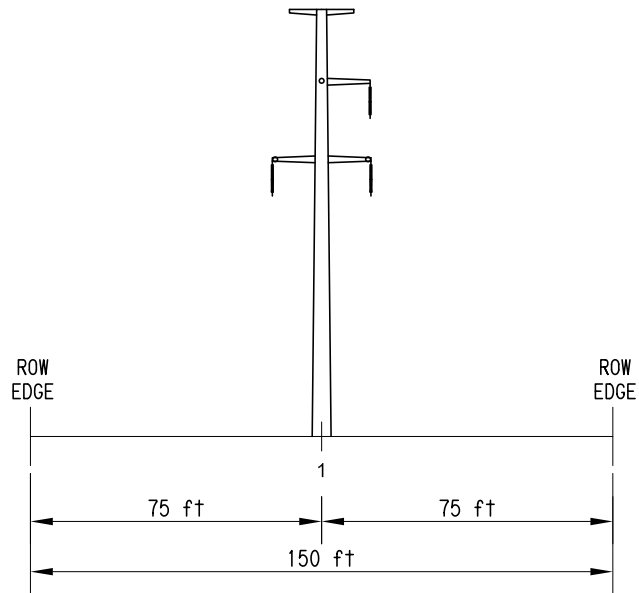


**EXISTING ROW**

FACING EAST

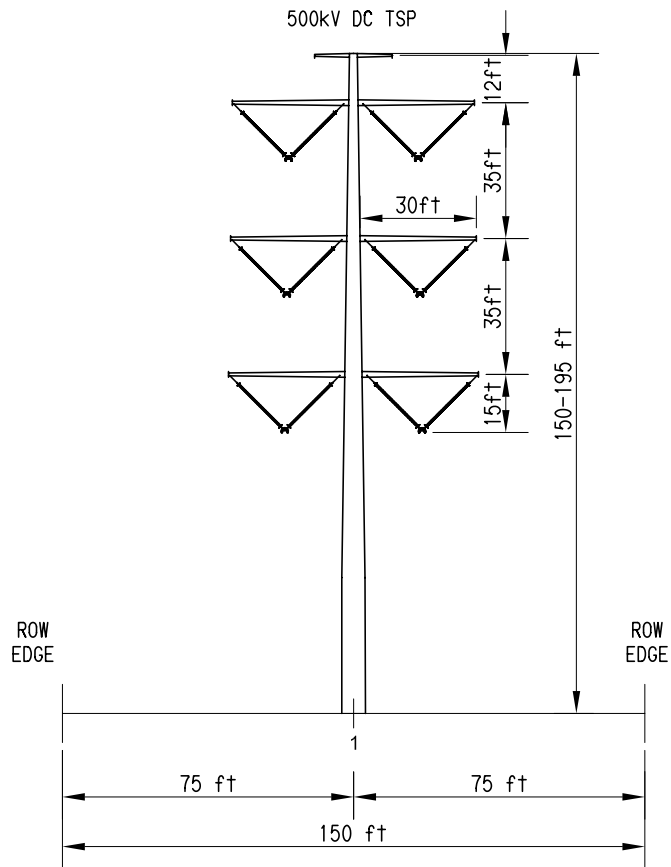
220kV SC DE TSP



**FUTURE ROW**

FACING EAST

500kV DC TSP



Source: SCE, 2007d.



NOTE:  
 This drawing represents potential changes  
 between existing and future ROW cross sections.

**Figure 2.2-42**  
**Segment 8 ROW Cross-Section**  
**(S8A MP 26.4 to S8A MP 26.8)**