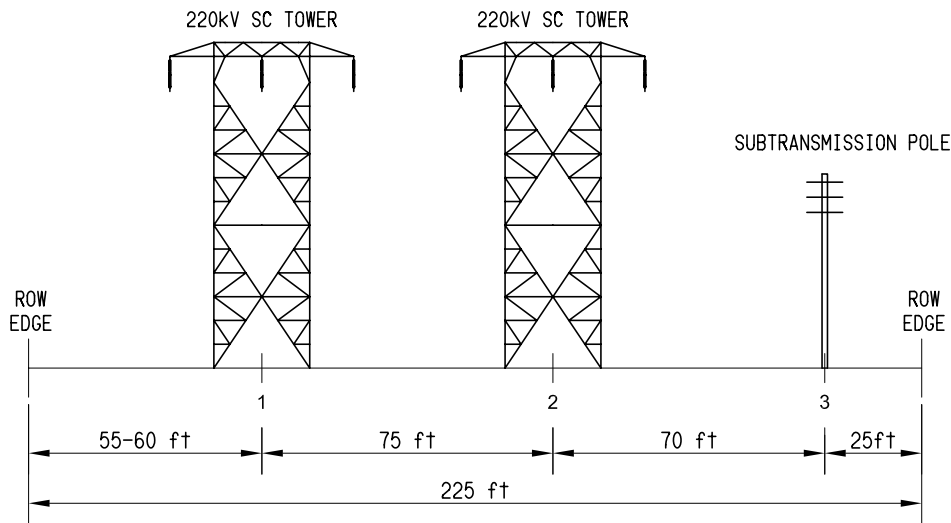


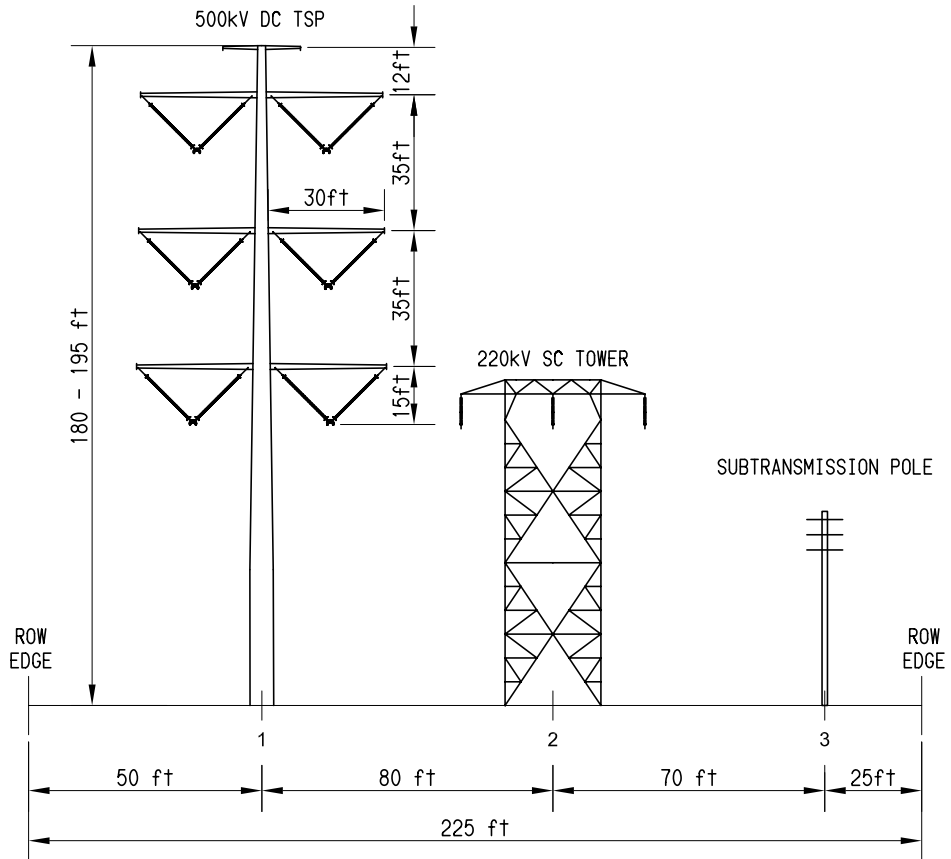
EXISTING ROW

FACING NORTH



FUTURE ROW

FACING NORTH



Source: SCE, 2007d.



NOTE:  
 This drawing represents potential changes  
 between existing and future ROW cross sections.

**Figure 2.2-43**  
**Segment 8 ROW Cross-Section**  
**(S8A MP 26.8 to S8A MP 27.55)**