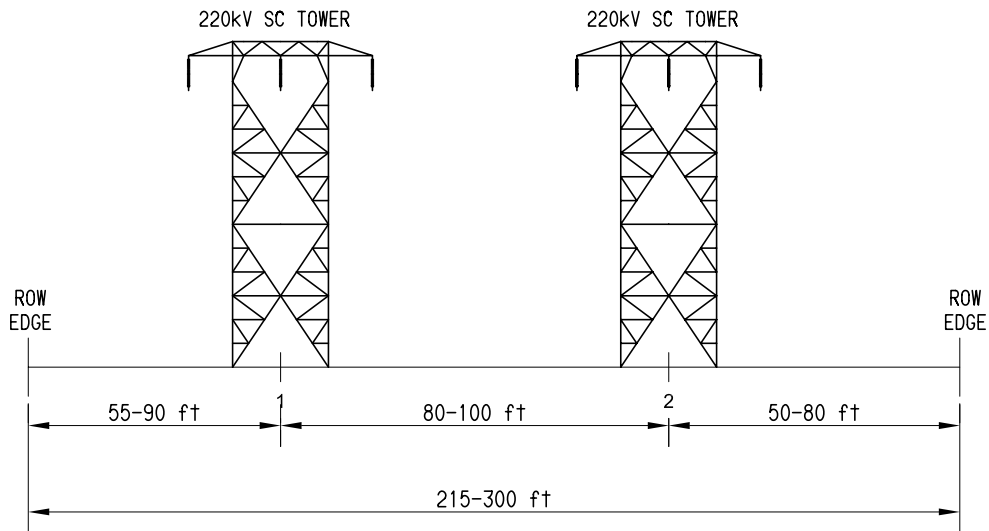
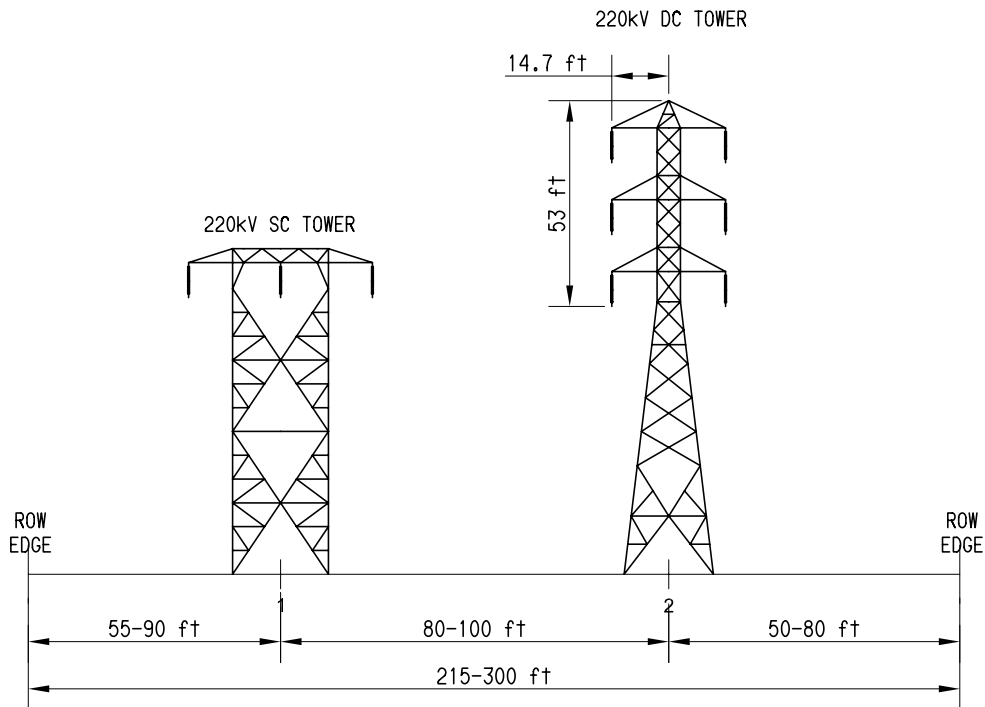


EXISTING ROW
 FACING EAST



FUTURE ROW
 FACING EAST



Source: SCE, 2007d.



NOTE:
 This drawing represents potential changes
 between existing and future ROW cross sections.

Figure 2.2-48
Segment 8 ROW Cross-Section
(S8B MP 0.75 to S8B MP 5.05)