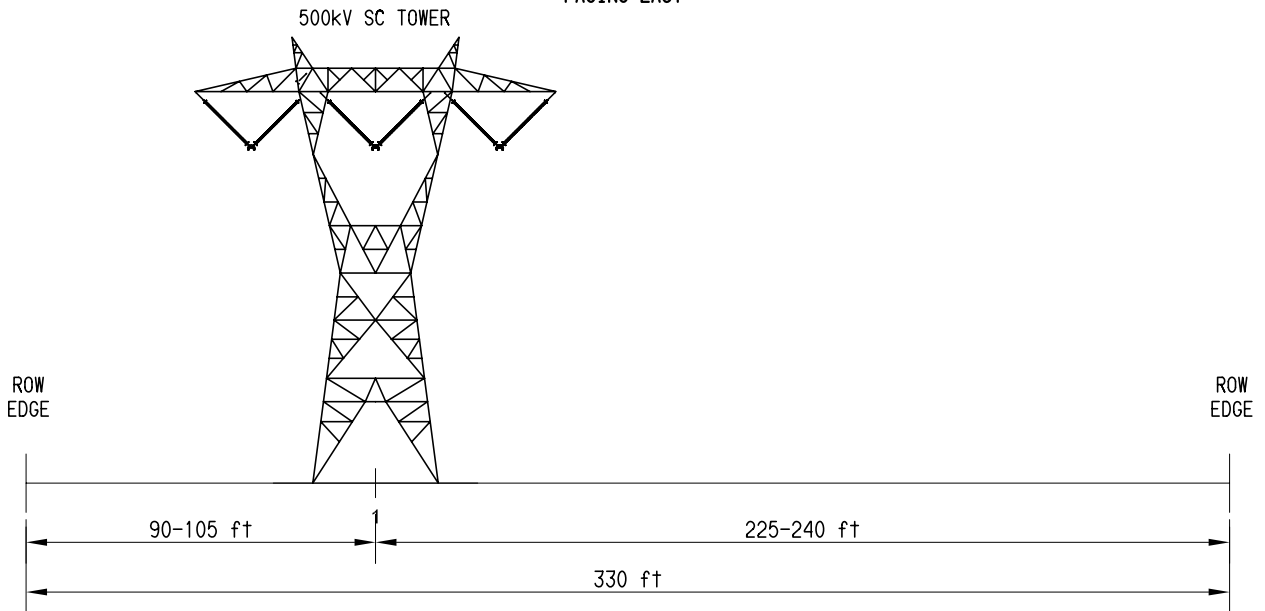


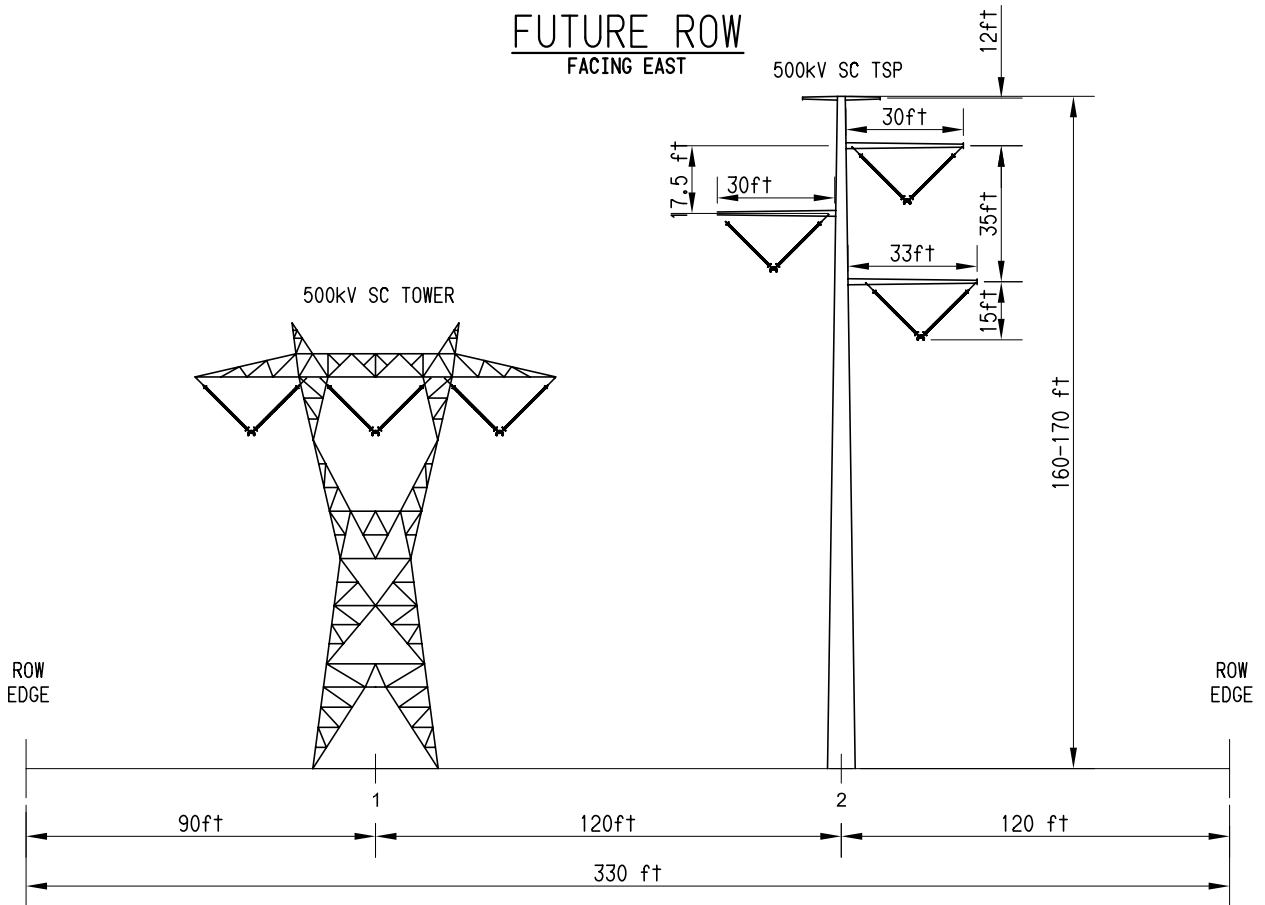
EXISTING ROW

FACING EAST



FUTURE ROW

FACING EAST



Source: SCE, 2007d.



NOTE:  
 This drawing represents potential changes  
 between existing and future ROW cross sections.

**Figure 2.2-53**  
**Segment 8 ROW Cross-Section**  
**(S8A MP 34.5 to S8A MP 35.0)**