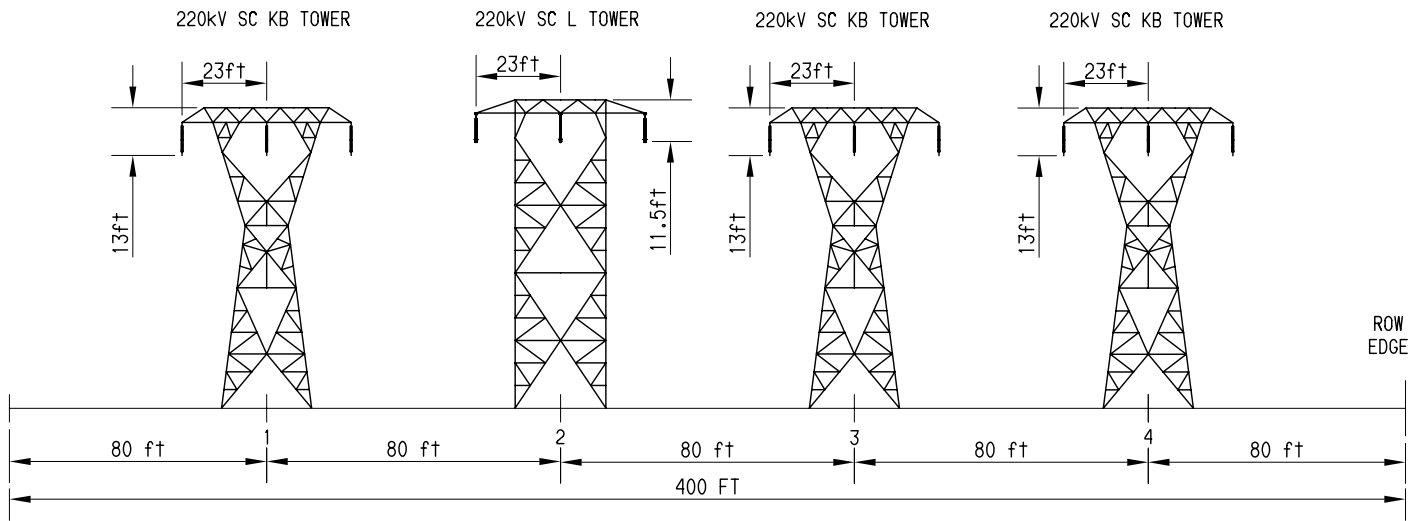
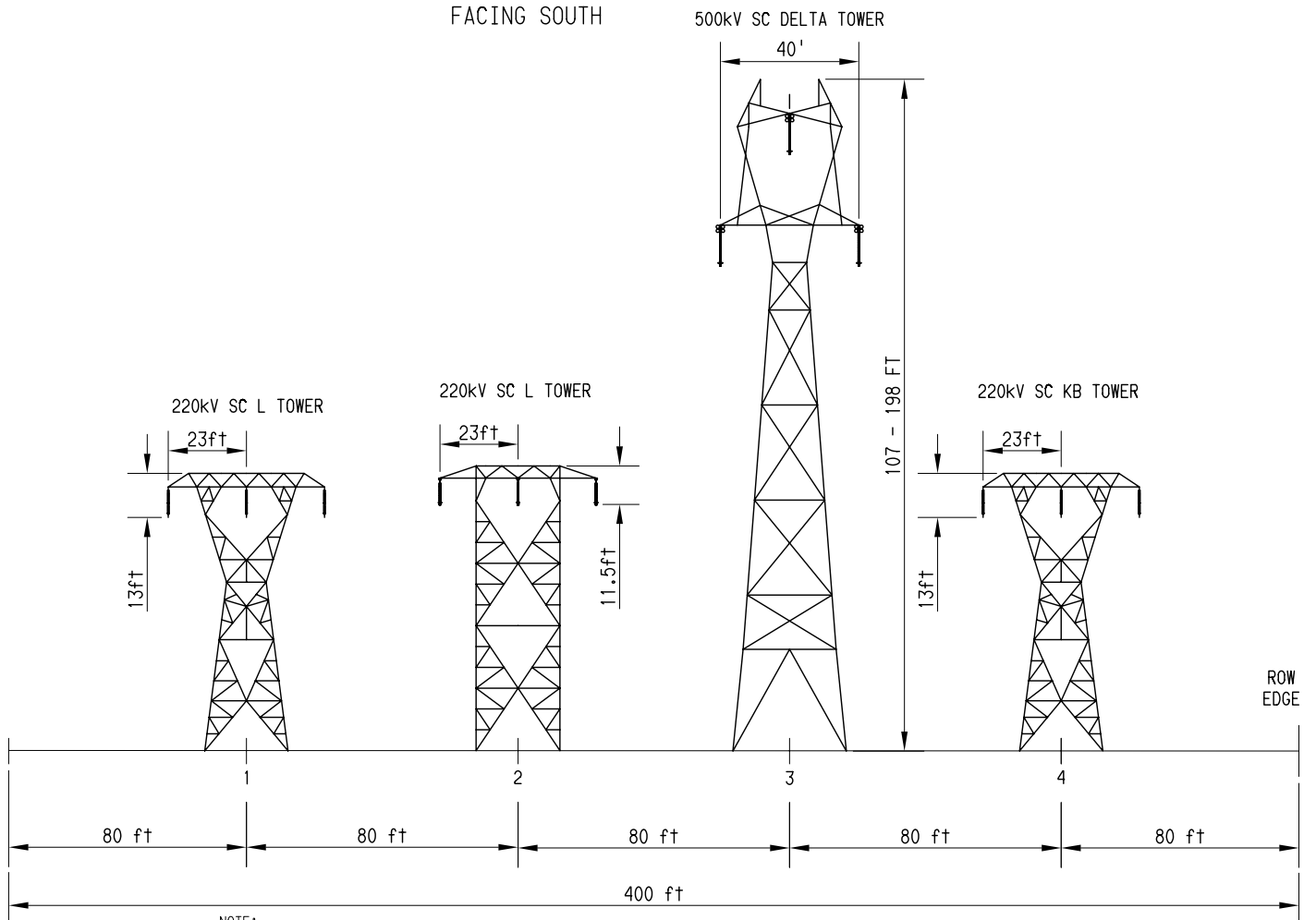


EXISTING ROW



FUTURE ROW

FACING SOUTH



NOTE:  
 This drawing represents potential changes  
 between existing and future ROW cross sections.

Source: SCE, 2007c.



Figure 2.2-58  
 Segment 11 ROW Cross-Section  
 (S11 MP 2.5 to S11 MP 4.0)