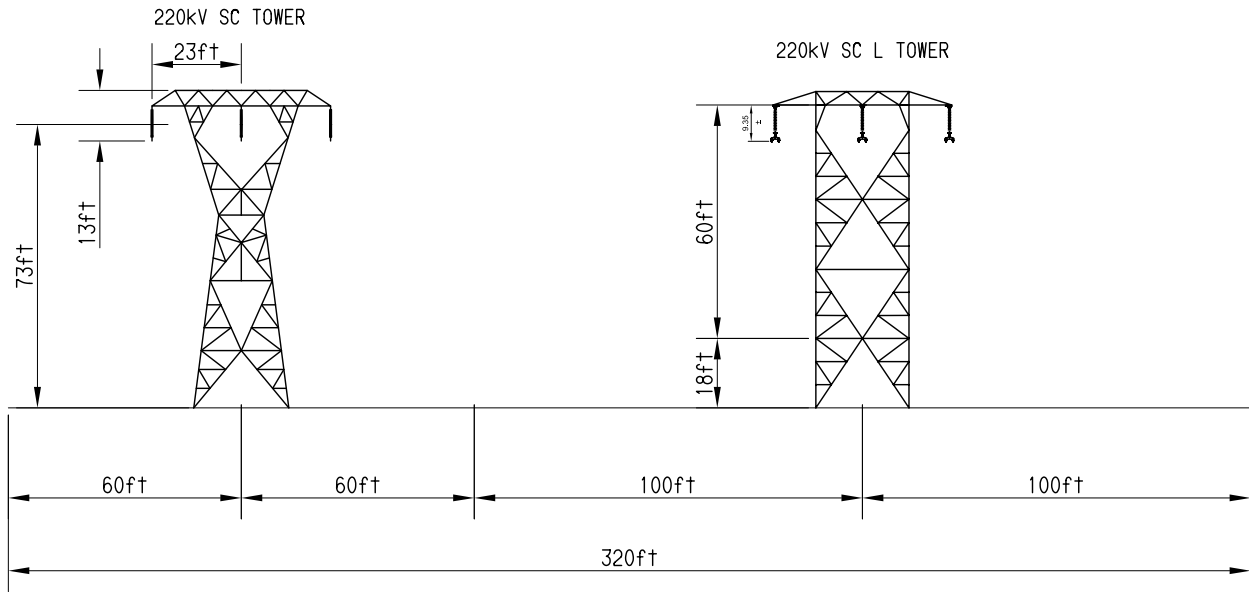
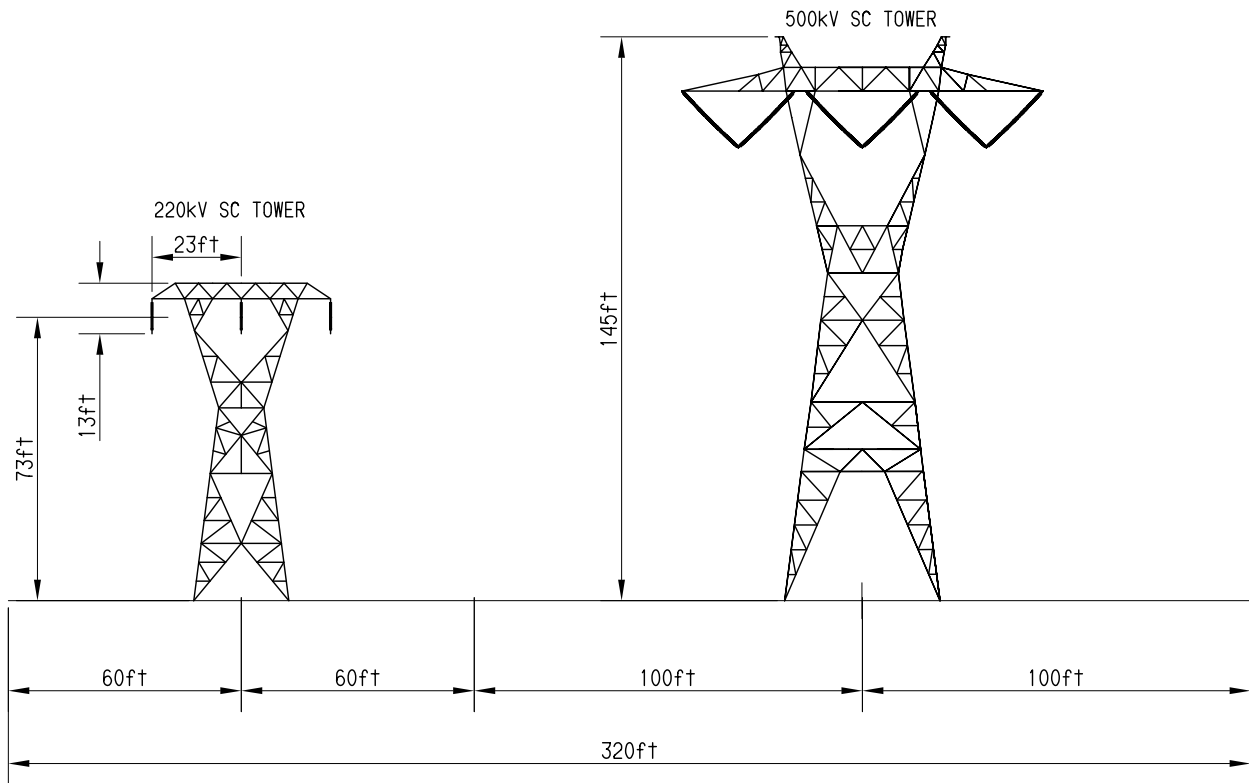


EXISTING ROW  
 FACING SOUTH



FUTURE ROW  
 FACING SOUTH



NOTE:  
 This drawing represents potential changes  
 between existing and future ROW cross sections.

Source: SCE, 2007.



Figure 2.2-59  
 Segment 11 ROW Cross-Section  
 (S11 MP 4.0 to S11 MP 18.7)