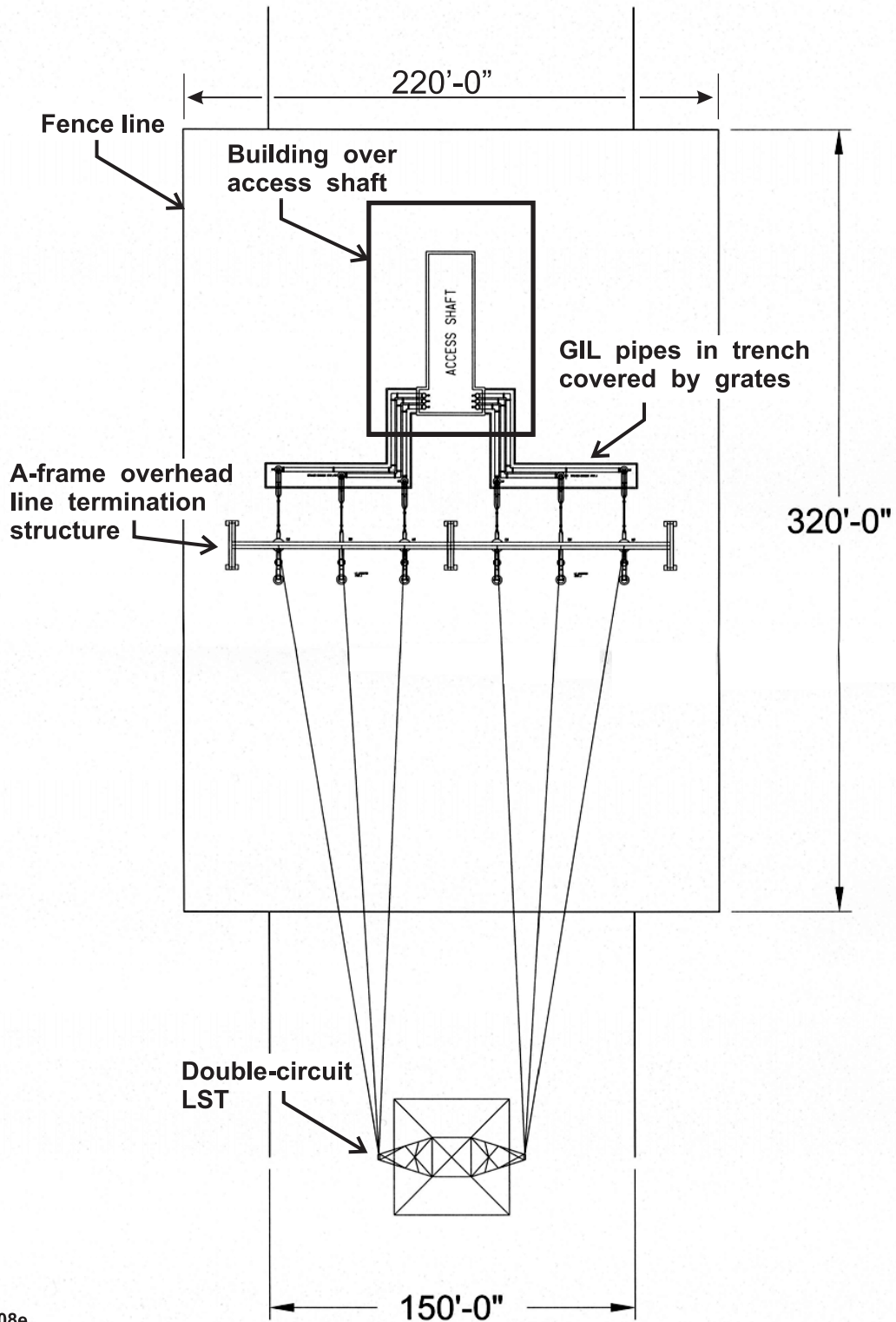


CONCEPTUAL DRAWING
PREPARED WITHOUT
BENEFIT OF ENGINEERING



Source: SCE, 2008e.

Figure 2.5-3
Conceptual Plan View of a
500-kV GIL Transition Station

