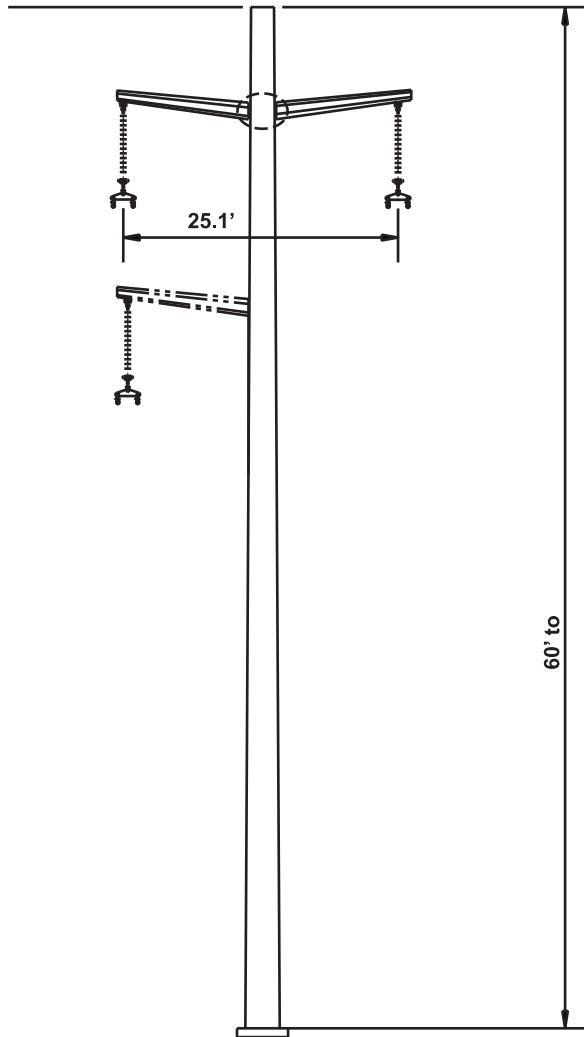
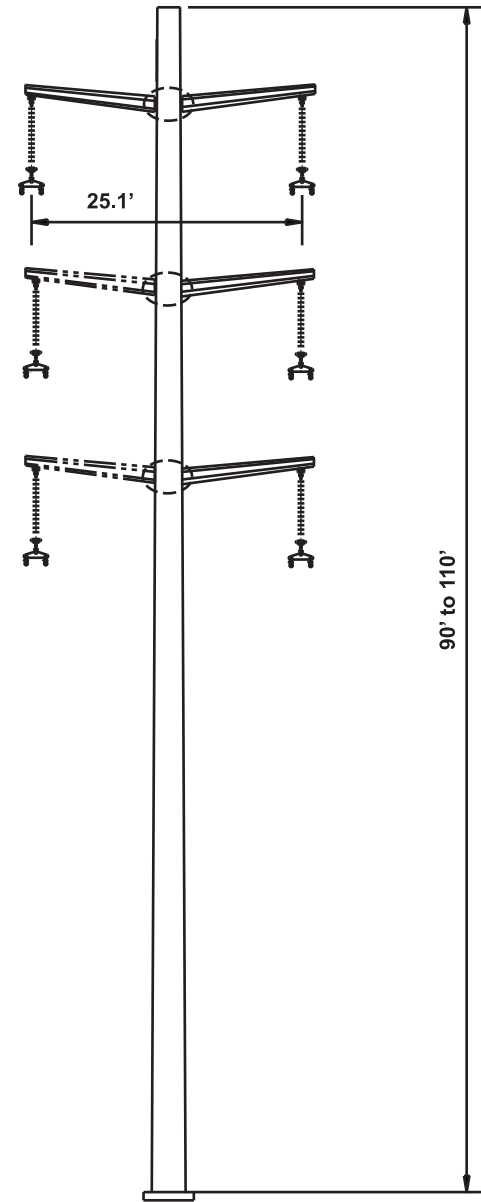


220-kV Single-Circuit Tubular Steel Pole



220-kV Double-Circuit Tubular Steel Pole



Source: SCE, 2007a.



Figure 14
Typical 220-kV Tubular Steel Poles